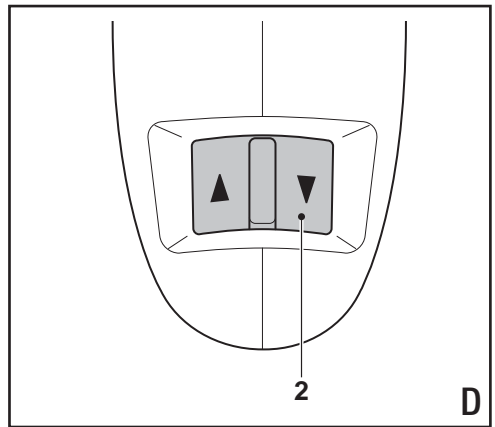
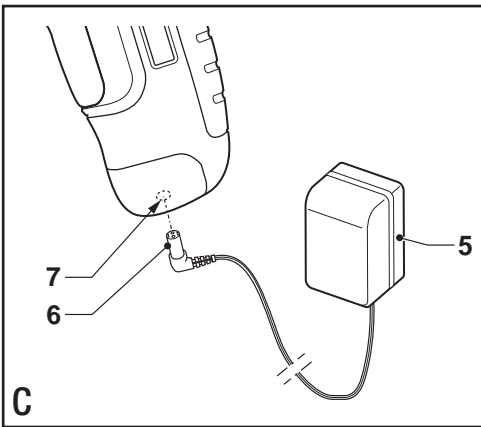
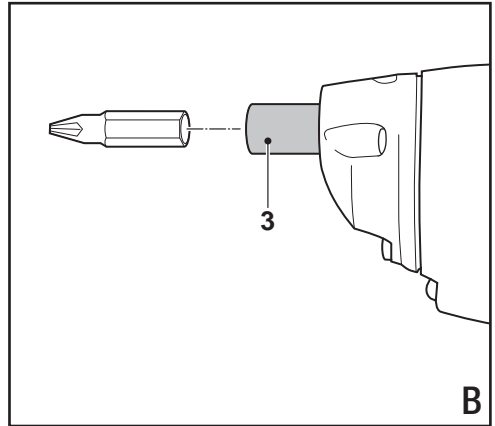
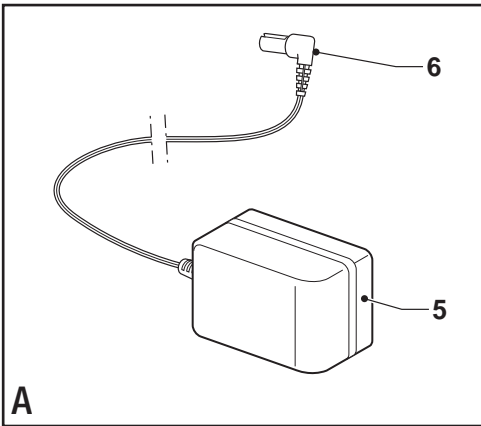
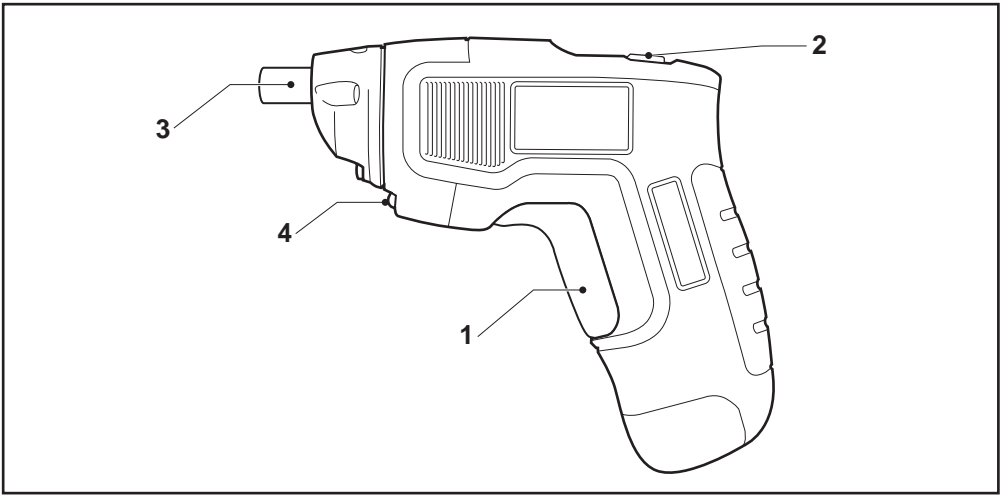


www.blackanddecker.com

CP310X

90637038

English	3
繁體中文	8
한국어	13
日本語	18



CP310X SCREWDRIVER

TECHNICAL DATA

SCREWDRIVER		CP310X
Voltage	V _{DC}	3.6
No Load Speed	min ⁻¹	180
Max. torque	Nm	7.7
Bit holder	mm	6.35 (1/4")
Weight	kg	0.4
Battery		
Voltage	V	3.6
Battery type		Li-Ion
AHr rating		1.5
Charger		
Input voltage	V _{AC}	220-240
Approx. Charging Time	h	12

INTENDED USE

Your BLACK+DECKER screwdriver has been designed for screwdriving applications and drilling in wood, metal and plastics. This tool is intended for consumer use only.

GENERAL SAFETY RULES



WARNING! Read safety warnings and all instructions. Failure to follow all instructions listed below may result in electric shock, fire and/or serious injury.

Save all warnings and instructions for future reference. The term "power tool" in all of the warnings listed below refers to your mains operated (corded) power tool or battery operated (cordless) power tool.


1. **Work area safety**
 - a. **Keep work area clean and well lit.** Cluttered or dark areas invite accidents.
 - b. **Do not operate power tools in explosive atmospheres, such as in the presence of flammable liquids, gases or dust.** Power tools create sparks which may ignite the dust or fumes.
 - c. **Keep children and bystanders away while operating a power tool.** Distractions can cause you to lose control.
 2. **Electrical safety**
 - a. **Power tool plugs must match the outlet. Never modify the plug in any way.** Do not use any adapter plugs with earthed (grounded) power tools. Unmodified plugs and matching outlets will reduce risk of electric shock.
 - b. **Avoid body contact with earthed or grounded surfaces, such as pipes, radiators, ranges and refrigerators.** There is an increased risk of electric shock if your body is earthed or grounded.
 - c. **Do not expose power tools to rain or wet conditions.** Water entering a power tool will increase the risk of electric shock.
 - d. **Do not abuse the cord. Never use the cord for carrying, pulling or unplugging the power tool. Keep cord away from heat, oil, sharp edges or moving parts.** Damaged or entangled cords increase the risk of electric shock.
 - e. **When operating a power tool outdoors, use an extension cord suitable for outdoor use.** Use of a cord suitable for outdoor use reduces the risk of electric shock.
 - f. **If operating a power tool in a damp location is unavoidable, use a residual current device (RCD) protected supply.** Use of an RCD reduces the risk of electric shock.
3. **Personal safety**
 - a. **Stay alert, watch what you are doing and use common sense when operating a power tool. Do not use a power tool while you are tired or under the influence of drugs, alcohol or medication.** A moment of inattention while operating power tools may result in serious personal injury.
 - b. **Use personal protective equipment. Always wear eye protection.** Protective equipment such as dust mask, non-skid safety shoes, hard hat, or hearing protection used for appropriate conditions will reduce personal injuries.
 - c. **Prevent unintentional starting. Ensure the switch is in the off-position before connecting to power source and/or battery pack, picking up or carrying the tool.** Carrying power tools with your finger on the switch or energising power tools that have the switch on invites accidents.
 - d. **Remove any adjusting key or wrench before turning the power tool on.** A wrench or a key left attached to a rotating part of the power tool may result in personal injury.
 - e. **Do not overreach. Keep proper footing and balance at all times.** This enables better control of the power tool in unexpected situations.
 - f. **Dress properly. Do not wear loose clothing or jewellery. Keep your hair, clothing and gloves away from moving parts.** Loose clothes, jewellery or long hair can be caught in moving parts.
 - g. **If devices are provided for the connection of dust extraction and collection facilities, ensure these are connected and properly used.** Use of dust collection can reduce dust-related hazards.
 4. **Power tool use and care**
 - a. **Do not force the power tool. Use the correct power tool for your application.** The correct power tool will do the job better and safer at the rate for which it was designed.

- b. **Do not use the power tool if the switch does not turn it on and off.** Any power tool that cannot be controlled with the switch is dangerous and must be repaired.
- c. **Disconnect the plug from the power source and/or the battery pack from the power tool before making any adjustments, changing accessories, or storing power tools.** Such preventive safety measures reduce the risk of starting the power tool accidentally.
- d. **Store idle power tools out of the reach of children and do not allow persons unfamiliar with the power tool or these instructions to operate the power tool.** Power tools are dangerous in the hands of untrained users.
- e. **Maintain power tools. Check for misalignment or binding of moving parts, breakage of parts and any other condition that may affect the power tool's operation. If damaged, have the power tool repaired before use.** Many accidents are caused by poorly maintained power tools.
- f. **Keep cutting tools sharp and clean.** Properly maintained cutting tools with sharp cutting edges are less likely to bind and are easier to control.
- g. **Use the power tool, accessories and tool bits etc. in accordance with these instructions, taking into account the working conditions and the work to be performed.** Use of the power tool for operations different from those intended could result in a hazardous situation.

5. Battery tool use and care

- a. **Recharge only with the charger specified by the manufacturer.** A charger that is suitable for one type of battery pack may create a risk of fire when used with another battery pack.
 - b. **Use power tools only with specifically designated battery packs.** Use of any other battery packs may create a risk of injury and fire.
 - c. **When battery pack is not in use, keep it away from other metal objects, like paper clips, coins, keys, nails, screws, or other small metal objects, that can make a connection from one terminal to another.** Shorting the battery terminals together may cause burns or a fire.
 - d. **Under abusive conditions, liquid may be ejected from the battery; avoid contact. If contact accidentally occurs, flush with water. If liquid contacts eyes, additionally seek medical help.** Liquid ejected from the battery may cause irritation or burns.
- ## 6. Service
- a. **Have your power tool serviced by a qualified repair person using only identical replacement parts.** This will ensure that the safety of the power tool is maintained.

ADDITIONAL POWER TOOL SAFETY WARNINGS

-  **Warning!** Additional safety warnings for screwdrivers and impact wrenches
 - **Hold power tool by insulated gripping surfaces when performing an operation where the fastener may contact hidden wiring or its own cord.** Fasteners contacting a "live" wire may make exposed metal parts of the power tool "live" and shock the operator.
 - **Wear ear protectors with impact wrenches.** Exposure to noise can cause hearing loss.
 - **Use auxiliary handles supplied with the tool.** Loss of control can cause personal injury.
 - **Use clamps or another practical way to secure and support the workpiece to a stable platform.** Holding the work by hand or against your body leaves it unstable and may lead to loss of control.
 - Before driving fasteners into walls, floors or ceilings, check for the location of wiring and pipes.
 - This tool is not intended for use by persons (including children) with reduced physical, sensory or mental capabilities, or lack of experience and knowledge, unless they have been given supervision or instruction concerning use of the appliance by a person responsible for their safety. Children should be supervised to ensure that they do not play with the appliance.
 - The intended use is described in this instruction manual.
- The use of any accessory or attachment or performance of any operation with this tool other than those recommended in this instruction manual may present a risk of personal injury and/or damage to property.

LABELS ON TOOL

The following pictograms are shown on the tool:



Warning! To reduce the risk of injury, the user must read the instruction manual.

ADDITIONAL SAFETY INSTRUCTIONS FOR BATTERIES AND CHARGERS

BATTERIES

- Never attempt to open for any reason.
 - Do not expose the battery to water.
 - Do not expose the battery to heat.
 - Do not store in locations where the temperature may exceed 40 °C.
 - Charge only at ambient temperatures between 10 °C and 40 °C.
 - Charge only using the charger provided with the appliance/tool.
- When disposing of batteries, follow the instructions given in the section "Protecting the environment".

CHARGERS

- Use your BLACK+DECKER charger only to charge the battery in the tool with which it was supplied. Other batteries could burst, causing personal injury and damage.
- Never attempt to charge non-rechargeable batteries.
- Have defective cords replaced immediately.
- Do not expose the charger to water.
- Do not open the charger.
- Do not probe the charger.



The charger is intended for indoor use only.



Read the instruction manual before use.



The charger automatically shuts off if the ambient temperature becomes too high. As soon as the ambient temperature has cooled down, the charger will resume operating.



Charge only at ambient temperatures between 10 °C and 40 °C.



Charging

ELECTRICAL SAFETY



Your charger is double insulated; therefore no earth wire is required. Always check that the mains voltage corresponds to the voltage on the rating plate. Never attempt to replace the charger unit with a regular mains plug.

- If the supply cord is damaged, it must be replaced by the manufacturer or an authorised BLACK+DECKER Service Centre in order to avoid a hazard.

Warning! Never attempt to replace the charger unit with a regular mains plug.

FEATURES

1. On/off switch
2. Forward/reverse slider
3. Bit holder
4. LED light
7. Charger connector

FIG. A

5. Charger
6. Charger plug

ASSEMBLY

FITTING AND REMOVING A DRILL BIT OR A SCREWDRIVER BIT (fig. B)

This tool uses screwdriver bits and drill bits with a 6.35 mm (1/4") hexagonal shank.

- To fit a bit, insert the bit shaft into the bit holder (3).
- To remove a bit, pull the bit shaft out of the bit holder (3).

USE

- Before first use, the battery must be charged for at least 9 hours.
- The battery needs to be charged before first use and whenever it fails to produce sufficient power on jobs that were easily done before. When charging the battery for the first time, or after a prolonged storage, it will only accept an 80% charge. After several charges and discharge cycles, the battery will attain full capacity.

CHARGING THE BATTERY (FIG. C)

- To charge the battery, insert the charger plug (6) into the charger connector (7).
- Plug in the charger (5).
- Leave the tool connected to the charger for 12 hours. The charger may hum and become warm while charging; this is normal and does not indicate a problem.

Warning! Do not charge the battery at ambient temperatures below 10 °C or above 40 °C.

SELECTING THE DIRECTION OF ROTATION (FIG. D)

For drilling and for tightening screws, use forward rotation. For loosening screws or removing a jammed drill bit, use reverse rotation.

- To select forward rotation, push the forward/reverse slider (2) to the forward position.
- To select reverse rotation, push the forward/reverse slider (2) to the rearward position.
- To lock the tool, set the forward/reverse slider into the centre position.

DRILLING/SCREWDRIVING

- Select forward or reverse rotation using the forward/reverse slider (2).
- To switch the tool on, press the on/off switch (1).
- To switch the tool off, release the on/off switch (1).

LED LIGHT

The LED light (4) is activated automatically when the trigger is depressed. The LED will also illuminate when the trigger is depressed and the forward/reverse slider (2) is in the locked off position (central position).

Hints for optimum use

SCREWDRIVING

- Let the tool work at its own pace. Do not overload.
- Always use the correct type and size of screwdriver bit.

- If screws are difficult to tighten, try applying a small amount of washing liquid or soap as a lubricant.
- Use the spindle lock to loosen very tight screws or to firmly tighten screws.
- Always hold the tool and screwdriver bit in a straight line with the screw.
- When screwing in wood, it is recommended to drill a pilot hole with a depth equal to the length of the screw. A pilot hole guides the screw and prevents splintering or distortion of the wood. For the optimum size of the pilot hole, refer to the table below.
- When screwing in hardwood, also drill a clearance hole with a depth equal to half the length of the screw. For the optimum size of the clearance hole, refer to the table below.

Screw size	Pilot hole Ø (softwood)	Pilot hole Ø (hardwood)	Clearance hole
No. 6 (3.5 mm)	2.0 mm	2.5 mm	3.6 mm
No. 8 (4 mm)	2.5 mm	3.0 mm	4.5 mm
No. 10 (5 mm)	3.0 mm	3.5 mm	5.0 mm

DRILLING

- Always apply a light pressure in a straight line with the drill bit.
- Just before the drill tip breaks through the other side of the workpiece, decrease pressure on the tool.
- Use a block of wood to back up workpieces that may splinter.
- Make an indentation using a centre punch at the centre of the hole to be drilled in order to improve accuracy.

MAINTENANCE

Your BLACK+DECKER power tool has been designed to operate over a long period of time with a minimum of maintenance. Continuous satisfactory operation depends upon proper tool care and regular cleaning.

⚠ Warning! Before performing any maintenance on the tool, remove the battery from the tool. Unplug the charger before cleaning it.

- Regularly clean the ventilation slots in your tool using a soft brush or dry cloth.
- Regularly clean the motor housing using a damp cloth.
- Do not use any abrasive or solvent-based cleaner.
- Regularly open the chuck and tap it to remove any dust from the interior.

This tool is not user-serviceable. Take it to an authorized BLACK+DECKER repair agent for service.

Your charger does not require any maintenance apart from regular cleaning.

IMPORTANT

To ensure product SAFETY and RELIABILITY, repairs, maintenance and adjustment (other than those listed in this manual) should be performed by authorized service

centers or other qualified organizations, always using identical replacement parts. Unit contains no user serviceable parts inside.

CLEANING

⚠ WARNING: Blow dirt and dust out of the main housing with dry air as often as dirt is seen collecting in and around the air vents. Wear approved eye protection and approved dust mask when performing this procedure.

⚠ WARNING: Never use solvents or other harsh chemicals for cleaning the non-metallic parts of the tool. These chemicals may weaken the materials used in these parts. Use a cloth dampened only with water and mild soap. Never let any liquid get inside the tool; never immerse any part of the tool into a liquid.

CHARGER CLEANING INSTRUCTIONS


⚠ WARNING: Shock hazard. Disconnect the charger from the AC outlet before cleaning. Dirt and grease may be removed from the exterior of the charger using a cloth or soft non-metallic brush. Do not use water or any cleaning solutions.

ACCESSORIES

The performance of your tool depends on the accessory used. BLACK+DECKER and Piranha accessories are engineered to high quality standards and designed to enhance the performance of your tool. By using these accessories you will get the very best from your tool. BLACK+DECKER offers a large selection of accessories available at our local dealer or authorized service center at extra cost.

⚠ CAUTION: The use of any other accessory not recommended for use with this tool could be hazardous.

PROTECTING THE ENVIRONMENT

 Separate collection. This product must not be disposed of with normal household waste.

Should you find one day that your BLACK+DECKER product needs replacement, or if it is of no further use to you, do not dispose of it with household waste. Make this product available for separate collection.

 Separate collection of used products and packaging allows materials to be recycled and used again.

Re-use of recycled materials helps prevent environmental pollution and reduces the demand for raw materials.

If necessary, contact your local municipality for proper disposal instructions in your city/town.

BATTERIES

BLACK+DECKER batteries can be recharged many times. At the end of their useful life, discard batteries with due care for our environment:

Run the battery down completely, and then remove it from the tool.

NiCd and NiMH batteries are recyclable. Take them to a local recycling station.

SERVICE INFORMATION

BLACK+DECKER offers a full network of company-owned and authorized service locations throughout Asia. All BLACK+DECKER Service Centers are staffed with trained personnel to provide customers with efficient and reliable power tool service. Whether you need technical advice, repair, or genuine factory replacement parts, contact the BLACK+DECKER location nearest to you.

NOTES

- BLACK+DECKER's policy is one of continuous improvement to our products and, as such, we reserve the right to change product specifications without prior notice.
- Standard equipment and accessories may vary by country.
- Product specifications may differ by country.
- Complete product range may not be available in all countries. Contact your local BLACK+DECKER dealers for range availability.

CP310X 鋰電螺絲起子機

技術資料

鋰電螺絲起子機	CP310X	
電壓	V_{DC}	3.6
空載速度	min^{-1}	180
最大扭矩	Nm	7.7
夾頭尺寸	公釐	6.35 (1/4")
重量	kg	0.4
電池		
電壓	V	3.6
電池類型		鋰電
AHr額定	Ah	1.5
充電器		
輸入電壓	V_{AC}	115
大約充電時間	h	12

設計用途

您的BLACK+DECKER 鋰電螺絲起子機設計用於在木材、鋼材和磚石上起螺絲和鑽孔。本工具只供一般DIY家庭使用。

一般安全規則



警告！請閱讀安全警告及所有指示。不遵循下列的所有指示可能會導致觸電、火災及/嚴重傷害。

請妥善保存所有的警告和操作手冊以備將來查閱。下列所有警告中的名詞「電動工具」是指電源驅動（插電）電動工具，或者電池驅動（充電）電動工具。

1. 工作場地安全

- 保持工作場地清潔和明亮。混亂或黑暗的場地會引發事故。
- 不要在易爆環境，如有易燃液體、氣體或塵埃的環境中操作電動工具。電動工具產生的火花會點燃塵埃或氣體。
- 請等待兒童和旁觀者離開之後才操縱電動工具。分心會導致您疏於控制。

2. 電力安全

- 電動工具插頭必須與插座相符。切勿以任何方式改裝插頭。需接地的電動工具不能使用任何配接器插頭。未經改裝的插頭和相符的插座可以減少觸電危險。
- 避免人體接觸接地表面，如管道、散熱片、爐竈和冰箱。若您的身體接地可增加觸電危險。

- 不得將電動工具暴露在雨中或潮濕環境中。水進入電動工具會增加觸電危險。
- 請勿濫用電線。切勿使用電線來搬運、拉動電動工具或拔出插頭。讓電線遠離熱、油、銳邊或活動部件。受損或纏繞的電線可增加觸電危險。
- 若要在戶外使用電動工具，請使用適合戶外使用的延長電線。使用適合戶外使用的電線可減少觸電危險。
- 若必須在潮濕場合使用電動工具，請使用漏電保護器(RCD)。使用RCD可降低觸電危險。

3 人身安全

- 保持警覺；在操作電動工具時，請留意所執行的操作並按照一般的程式執行。切勿在疲倦，或受到藥物、酒精或治療的影響下操作電動工具。操作電動工具期間注意力分散會導致嚴重人身傷害。
- 使用個人防護裝置。始終佩戴護目鏡。防護裝置，例如在適當條件下可使用的防塵面具、防滑安全鞋、安全帽或聽力保護等裝置可減少人身傷害。
- 避免意外啟動。連接電源/或電池組、檢取或搬運電動工具之前，請確定開關處於off（關閉）位置。搬運電動工具時若將手指放在開關上，或是在接通開關電源時插入插頭都會引發危險。
- 接運電動工具之前，請卸下所有的調整鑰匙或扳手。遺留在電動工具旋轉零件上的扳手或要使會導致人身傷害。
- 不要過度伸張雙手。時刻注意腳下和身體的平衡。如此即可在發生意外的情況下更好地控制電動工具。
- 適當穿著。不要穿寬鬆衣服或佩戴飾品。讓您的頭髮、衣服和手套遠離活動部件。寬鬆衣服、佩飾或長髮可能會捲入活動部件。
- 若配備用於連接排屑裝置、集塵設備的裝置請確定正確連接和使用這些裝置。使用集塵設備可減少與塵埃有關的危險。

4. 電動工具的使用與注意事項

- 不要超負荷使用電動工具。根據您的用途使用適當的電動工具。使用電動工具在其設計可負荷的應用內，會讓您更有效、更安全地執行工作。
- 若開關不能開啓或關閉電源，請勿使用該電動工具。不能用開關來控制的電動工具將存在危險，因此必須進行修理。

- c) 在執行任何調整、更換配件或儲存工具之前，必須從電源上拔掉插頭及/或卸下電池組。這類防護性措施可降低電動工具意外啓動的風險。
- d) 將閒置的電動工具儲存在兒童無法接觸的地方，並且不要讓不熟悉電動工具或對這些使用指示不瞭解的人員操作電動工具。電動工具在未經培訓的使用者手中會發生危險。
- e) 維護電動工具。檢查活動部件是否對準或卡住、破損情況以及是否存在影響電動工具運行的其他情況。若有損毀，必須在使用之前修理電動工具。許多事故都是由於欠缺維護電動工具所導致。
- f) 保持刀具鋒利和清潔。妥善維護、切削鋒利的刀具不會輕易卡住並可更輕鬆控制。
- g) 遵循使用指示以及工作條件和所要執行的工作使用電動工具、配件和工具刀頭等。不按設計目的使用電動工具會導致危險。

5. 電池工具的使用與注意事項

- a) 只能使用製造廠商指定的充電器為電池充電。使用僅適合一種電池組的充電器為其他類型的電池組充電會導致火災危險。
- b) 請使用原廠的電動工具電池組。使用其他非原廠的電池組會導致人身傷害和火災危險。
- c) 不使用電池組時，請將其遠離如迴紋針、硬幣、鑰匙、釘子、螺絲以及其他可連通電池兩極的金屬物品。將電池兩極短路會導致灼傷或火災。
- d) 濫用電池的情況下，液體會從電池中噴出；避免與液體接觸。若不小心接觸液體，請用清水沖洗。若液體噴濺到眼睛上，沖洗之後還要進行治療。從電池噴出的液體會刺激皮膚或造成灼傷。

6. 檢修

- a) 本電動工具必須由合格的維修人員並只採用相同的原廠零件來執行檢修。這將確保電動工具的安全性。

電動工具之附加安全警告



警告！ 螺絲起子與震動扳手之附加安全警告

- 若在執行操作時扣件可能會接觸隱藏的電線或它本身的電線，請從絕緣手柄表面握住電動工具。若扣件接觸到「帶電」導線，電動工具金屬部件表面就會「帶電」，從而導致操作人員觸電。

- 請在使用震動扳手時佩戴聽力保護器。噪音會使聽力受損。
- 請使用電鑽隨附的輔助手柄。工具失控會導致人身傷害。
- 使用夾具或採取其他可行的方法，將工件固定、支撐到穩定的平台上。手持或用身體頂住工件都是不穩定的，並會導致操作失控。
- 在牆上鑽入扣件之前，請檢查電線和鋼管位置。
- 體力、感覺或智力不足，或者缺乏經驗及知識的人員（包括小孩）不適合使用本工具，除非負責他們安全的人員已經為他們提供關於使用此器具的監督或指示。必須監督小孩，確保他們沒有耍玩器具。
- 工具的設計用途在本說明書中描述。除了本說明書中所建議的之外，使用其他任何配件或附加裝置或任何操作的效能，可能會導致人身傷害及/或財產損害的危險。

工具上的標籤

您的工具上可能會附帶下列圖示：



警告！ 為了降低受傷的危險，使用者必須仔細閱讀指示手冊。

電池與充電器之附加安全指示

電池

- 不論是因為任何理由，都不要嘗試打開電池。
- 請勿將電池暴露在水中。
- 請勿將電池暴露在熱力中。
- 不要將電池儲存在溫度可能超過40°C的地方。
- 只在環境溫度介於10°C和40°C之間的情況下充電。
- 只能使用本器具/工具隨附的充電器為電池充電。
- 處置電池時，請遵循「保護環境」部份所提供的指示執行。

充電器

- 只能使用工具隨附的BLACK+DECKER充電器為工具內的電池充電。其他非原廠電池可能會爆裂，導致人身傷害和損害。
- 切勿嘗試為不可再充電的電池充電。
- 立即更換出現瑕疵的電線。
- 請勿將充電器暴露在水中。
- 請勿打開充電器。
- 請不要刺破充電器。



充電器僅供室內使用。



使用之前請閱讀指示手冊。



充電器會在環境溫度變得太高時自動關閉。只要環境溫度一降低，充電器便會立即恢復操作。



只在環境溫度介於10°C和40°C之間的情況下充電。



充電

電力安全



您的充電器採用雙重絕緣，因此不需要使用接地線。請務必檢查電源電壓是否與銘牌一致。切勿嘗試使用一般的電源插頭取代充電器裝置。

- 若電源線損毀，必須讓製造廠商或授權的BLACK+DECKER服務中心更換以避免發生危險。

警告！切勿嘗試使用一般的電源插頭取代充電器裝置。

部件名稱

1. On/off 開關
2. 正/反轉撥桿
3. 夾頭
4. LED指示燈
7. 充電器插頭

圖A

5. 充電器
6. 充電器插頭

裝配

安裝和卸下鑽頭或螺絲起子頭 (圖B)

本工具使用螺絲起子頭和具有6.35公釐 (1/4英寸) 六角形軸的鑽頭。

- 若要安裝鑽頭，請將鑽頭軸插入鑽頭固定器(3)直到它鎖入定位。
- 若要卸下鑽頭，請將鑽頭軸從鑽頭固定器(3)拉出。

使用

- 第一次使用之前，必須讓電池充電17個小時。
- 第一次使用電池之前，以及電池無法像從前一樣為作業輕鬆提供足夠的電量時，就需要充電。若在第一次或在長時間存儲後為電池

充電，它將只能接受80%的充電。數次充電和放電之後，電池將可以達到完整容量。

為電池充電 (圖C)

- 若要為電池充電，請將充電器插頭(6)插入連接器(7)。
- 插入充電器(5)。
- 讓工具與充電器保持連接12個小時。電池在充電時可能會發出聲音和變熱；這是正常現象，而且並不表示出現問題。

警告！請勿在環境溫度低於10°C或高於40°C的情況下為電池充電。

選擇旋轉方向 (圖D)

若要轉緊螺釘，請使用向前（順時針）旋轉。

若要轉鬆螺釘，請使用向後（逆時針）旋轉。

- 若要選擇向前旋轉，請將正/反轉開關(2)撥到向前位置。
- 若要選擇向後旋轉，請將正/反轉開關(2)撥到向後位置。
- 若要鎖定工具，請將正/反轉開關(2)撥到中間位置。

鑽孔/螺旋操作

- 使用正/反轉開關(2)選擇向前或向後旋轉。
- 若要打開工具電源，請按下電源開關(1)。
- 若要關閉工具電源，請放開電源開關(1)。

LED指示燈

LED指示燈(4)會在按下電源開關時自動啟動。

LED指示燈也會在將正/反轉開關(2)撥到中間位置和按下電源開關時自動啟動。

最佳使用提示

螺旋操作

- 請勿使工具超出本身之設計速度。切勿使它過負載。
- 始終使用正確類型和大小的螺絲起子頭。
- 若螺釘難以轉緊，請嘗試用小量洗滌液或肥皂作為潤滑劑。
- 使用心軸鎖轉鬆非常緊的螺釘或穩定緊固的螺釘。
- 必須使工具始終與螺絲起子頭和螺釘成一直線。
- 若要將螺釘轉入木材，建議先鑽取一個深度等於螺釘長度的引導孔。引導孔可以引導螺釘並防止木材碎裂或扭曲。如需引導孔最佳大小的資訊，請參閱下表。

- 若要將螺釘轉入硬木，亦建議先鑽取一個深度等於螺釘一半長度的間隔孔。如需間隔孔最佳大小的資訊，請參閱下表。

螺釘大小	引導孔 Ø (軟木)	引導孔 Ø (硬木)	間隔孔
6號 (3.5公釐)	2.0公釐	2.5公釐	3.6公釐
8號 (4公釐)	2.5公釐	3.0公釐	4.5公釐
10號 (5公釐)	3.0公釐	3.5公釐	5.0公釐

鑽孔

- 用力要輕緩，方向始終與鑽頭成一條直線。
- 鑽頭即將透過工件的另一側時，降低用力。
- 在易開裂工件的背面墊上木塊。
- 為了提高鑽孔精確度，可用中心沖在孔的中心位置衝出凹痕。

維護

您的BLACK+DECKER電動工具採用卓越的設計，能夠長時間使用，並且只需最少的維護。若要持續獲得滿意的操作效果，需要您進行正確的維護和定期的清潔。

警告！ 在工具上執行任何維護工作之前，請卸下工具內的電池。清潔之前拔下充電器。

- 定期使用軟刷清潔工具內的通風槽。
- 定期使用濕布清潔電動機外殼。
- 請勿使用任何研磨性或基於溶劑的清潔劑。
- 定期打開夾頭並輕敲以去除內部的任何塵埃。

本工具不是使用者可檢修的裝置。若要進行檢修，請將它送往授權的BLACK+DECKER總代理維修。

您的充電器除了定期清潔之外，並不需要執行任何維護操作。

重要

為了確保產品安全及可靠，所有的維修、維護和調整（除了本手冊中列出的之外），都應該由授權的檢修中心或合格機構執行，並始終使用相同的替換部件。本裝置內不含使用者可檢修的部件。

清潔

警告！ 一旦通風口及其周圍積聚可見的塵埃，請立即使用乾燥的壓縮空氣吹掉主機外殼內的塵埃和灰塵。執行此步驟時，請佩戴經認可的護目裝備和認可的面罩。

警告！ 切勿使用溶劑或其他刺激性化學品來清潔工具的非金屬部件。

這些化學品可能削弱零件中使用的材料。只能使用抹布蘸中性肥皂水進行清潔。不要讓任何液體進入工具；不要讓工具的任何部分浸入液體中。

充電器清潔指示


警告！ 觸電危險。清潔之前，從交流電插座上拔下充電器電纜。使用軟布或非金屬軟刷，去除充電器外部的污垢和油脂。請勿使用水或任何清潔劑。

配件


您的工具之效能取決於所使用的配件。BLACK+DECKER配件依據高品質標準進行規劃，並設計用於增強電動工具的效能。透過使用這些配件，您將可以獲得工具的最佳效能。BLACK+DECKER在我們的當地代理商或授權的檢修中心備有廣泛的配件系列供選購。

注意！ 使用任何不建議與本工具配合使用的其他配件會導致危險。

保護環境

 個別收集。本產品必須與一般家庭廢物分開處置。

若您發現您的BLACK+DECKER產品需要進行替換，或您已經不再需要使用這些產品，請不要將它們與家庭廢物一起處置。務必將本產品送往個別收集處。務必將本產品送往個別收集處。

 個別收集用過的產品和包裝允許材料再循環利用。重新使用迴圈利用的材料有助於防止環境污染，並減少原始材料的需求。如有需要，請聯絡您當地的自治市鎮局，瞭解您所在城市/市鎮的正確處置指示。

電池

BLACK+DECKER電池可多次再充電。在電池使用壽命結束時，請妥善處置以保護我們的環境。使電池完全放電，然後將它從工具中卸下。鎳鎘和鎳氫電池。請將它們送往當地的回收站。

服務資訊

BLACK+DECKER提供覆蓋整個亞洲的公司隸屬和授權服務地點。所有的BLACK+DECKER服務中心都具有訓練有素的人員，為客戶提供高效和可靠的電動工具服務。不論您是需要技術建議、維修或原廠替換部件，請聯絡最靠近您的BLACK+DECKER地點。

備註

- BLACK+DECKER的政策是持續改善我們的產品，因此，我們保留隨時變更產品規格的權利，恕不另行通知。
- 標準設備和配件可能會根據不同的國家而有所不同。
- 產品規格可能會根據不同的國家而有所不同。
- 並非所有的國家都有提供完整的產品系列。如需各產品系列的供應情況，請聯絡您當地的BLACK+DECKER代理商。

經銷商: 特力股份有限公司

地址: 台北市內湖區新湖三路23號1.2.5樓

電話: 0800-552888

進口/委製廠商: 新加坡商百得電動工具(股)公司台灣分公司

地址: 台北市北投區裕民六路120號4樓

電話: 02-2820-1065

CP310X 스크류드라이버

기술 데이터

드라이버		CP310X
전압	V _{DC}	3.6
무부하 속도	분 ⁻¹	180
최대 토크	Nm	7.7
비트 홀더	mm	6.35 (1/4")
중량	kg	0.4
배터리		
전압	V	3.6
배터리 유형		Li-Ion
AHr(정격)		1.1
충전기		
입력 전압	V _{AC}	220
대략적 충전 시간	h	12

용도

BLACK+DECKER 해머 드릴은 나무, 금속 및 플라스틱과 석재 드릴용으로 설계되었습니다. 본 공구는 소비자용입니다.

일반 안전 규정



경고! 안전에 관한 모든 경고 및 지시 사항을 숙지하십시오. 아래 설명한 모든 지시 사항을 따르지 않으면 감전, 화재 및/또는 심각한 부상을 초래할 수 있습니다.

항후 참고할 수 있도록 모든 경고 및 지시 사항을 보관해두십시오. 아래의 모든 경고에서 사용된 "전동 공구"라는 말은 주 공급 전원에 의해 전기 공급되는(코드 있음) 전동 공구 또는 충전식(코드 없음) 전동 공구를 의미합니다.

1. 작업 안전 영역

- 작업 영역을 청결하고 넓게 유지하십시오.** 혼잡하거나 어두운 작업 영역에서는 사고가 발생하기 쉽습니다.
- 가연성 액체, 가스 또는 먼지 등 폭발 가능성이 있는 환경에서 전동 공구를 사용하지 마십시오.** 전동 공구에 먼지나 연기를 발하시킬 수 있는 불꽃이 될 수 있습니다.
- 전공 공구를 사용하는 동안에는 어린이와 주변 사람들이 작업 영역에 가까이 들어오지 못하도록 하십시오.** 주변이 산만해져 통제력을 잃을 수 있습니다.

2. 전기 안전

- 전동 공구의 플러그는 콘센트와 형식이 일치해야 합니다.** 플러그를 어떤 방식으로든 절대 개조하지 마십시오. 접지된(지면 접지) 전동 공구와 함께 어댑터 플러그도 사용하지 마십시오. 개조되지 않은 플러그 및 형식이 일치하는 콘센트를 사용하면 감전 위험이 줄어듭니다.

- 파이프, 라디에이터, 렌즈 및 냉장고 등과 같이 접지된 표면에 물이 닿지 않도록 하십시오.** 신체가 접지되어 있으면 감전 위험이 높아집니다.
- 전동 공구를 배 또는 습한 환경에 노출하지 않도록 주의하십시오.** 전동 공구에 물이 들어가면 감전 위험이 높아집니다.
- 코드를 함부로 다루지 마십시오.** 코드를 사용하여 전동 공구를 운반하거나 잡아당기거나 플러그를 빼지 마십시오. 열, 오일, 날카로운 모서리 또는 움직이는 부품에서 멀리 떨어진 장소에 코드를 보관하십시오. 코드가 손상되거나 뒤엎혀 있으면 감전 위험이 높아집니다.
- 전동 공구를 실외에서 사용할 때는 실외 사용에 적합한 연장 코드를 사용하십시오.** 실외 사용에 적합한 코드를 사용하면 감전 위험이 줄어듭니다.
- 어쩔 수 없이 습한 장소에서 전동 공구를 사용해야 하는 경우에는 누전 차단기(RCD)로 보호된 전원 공급 장치를 사용하십시오.** RCD를 사용하면 감전 위험이 줄어듭니다.

3. 신체 안전

- 전동 공구로 작업할 때는 방심하지 말고 작업에 주의하면서 상식에 따르십시오.** 피곤한 상태이거나 약물, 술, 지료제를 복용한 상태에서는 전동 공구를 사용하지 마십시오. 전동 공구를 사용하는 중에 주의력을 잃어 순간적으로 부상을 당할 수 있습니다.
- 신체 보호 장구를 착용하십시오.** 방충 보안경을 착용하십시오. 적절한 상황에서 항상 마스크, 미끄럼 방지 안전화, 안전모 또는 청력 보호 기구 등의 보호 장비를 사용하면 신체 부상 위험이 줄어듭니다.
- 의도하지 않은 장비 가동 방지.** 전원 및/또는 배터리 팩에 연결한 상태로 공구를 선택 또는 운반할 때는 사전에 스위치가 꺼짐 위치에 있는지 반드시 확인하십시오. 스위치가 꺼짐 위치에 있는 상태에서 스위치에 손가락이 닿은 상태로 전동 공구를 운반하거나 전동 공구에 전원을 공급하면 사고가 발생할 수 있습니다.
- 전동 공구를 켜기 전에 모든 조정 키 또는 렌치를 제거하십시오.** 전동 공구의 회전 부품에 렌치나 키가 부착되어 있으면 부상을 당할 수 있습니다.
- 무리하게 팔을 뻗지 마십시오.** 항상 올바른 자세로 서서 균형을 유지하십시오. 그러면 예기치 않은 상황에서 전동 공구에 대한 제어력이 향상됩니다.
- 적절한 의복을 착용합니다.** 헐렁한 옷이나 장갑이 움직이는 부품에 닿지 않도록 주의하십시오. 헐렁한 옷, 장신구 또는 긴 머리가 움직이는 부품에 걸 수 있습니다.
- 먼지 매몰 및 집진 시설 연결을 위한 장치가 제공된 경우, 이를 장치가 연결되어 적절히 사용되고 있는지 반드시 확인하십시오.** 집진 장치를 사용하면 먼지와 관련된 위험을 줄일 수 있습니다.

4. 전동 공구 사용 및 관리

- a. 전동 공구에 무리한 힘을 가하지 마십시오. 해당 용도에 맞는 올바른 전동 공구를 사용하십시오. 올바른 전동 공구를 사용해야 설계된 속도로 작업을 더욱 안전하고 정확하게 수행할 수 있습니다.
- b. 스위치로 켜지고 꺼지지 않는 전동 공구는 사용하지 마십시오. 스위치로 제어되지 않는 전동 공구는 위험하며 수리해야 합니다.
- c. 전동 공구를 조정하거나 액세서리를 변경하거나 보관하기 전에 전원 및/또는 배터리 팩에서 플러그를 빼십시오. 이러한 예방적 안전 조치를 따라야 전동 공구가 갑자기 작동할 위험이 줄어듭니다.
- d. 사용하지 않는 전동 공구는 어린이의 손이 닿지 않는 곳에 보관하고, 전동 공구나 본 지시 사항에 익숙하지 않은 사람이 전동 공구를 절대 사용하지 못하게 하십시오. 전동 공구는 훈련을 받지 않은 사용자가 다루면 위험합니다.
- e. 전동 공구 유지 보수. 움직임은 부품의 잘못된 정렬이나 바인딩, 부품 파손 및 기타 전동 공구의 작동에 영향을 미칠 수 있는 상태가 있는지 확인하십시오. 손상된 부분이 있는 경우 사용하기 전에 전동 공구를 수리하십시오. 많은 사고는 전동 공구를 제대로 유지 보수하지 않아 발생합니다.
- f. 절삭 공구를 예리하고 깨끗한 상태로 유지하십시오. 유지 보수를 올바르게 수행하여 절삭 가장자리가 예리한 절삭 공구를 사용하면 바인딩이 적고 다루기가 용이합니다.
- g. 작업 환경과 수행할 작업을 고려하여, 본 지시 사항에 따라 전동 공구, 액세서리 및 톨 비트 등을 사용하십시오. 본 사용 설명서의 내용과 다른 용도로 전동 공구를 사용하면 위험한 상황이 발생할 수 있습니다.

5. 배터리 공구 사용 및 관리

- a. 다시 충전할 때는 제조업체에서 지정한 충전기만 사용하십시오. 한 배터리 팩 유형에 적합한 충전기를 다른 배터리 팩과 함께 사용할 경우 화재의 위험이 있습니다.
- b. 전동 공구를 사용할 때는 특수 설계된 배터리 팩을 함께 사용하십시오. 다른 배터리 팩을 사용하면 부상을 입거나 화재의 위험이 있습니다.
- c. 배터리 팩을 사용하지 않을 때에는 클림, 동전, 키, 못, 나사 등의 금속 물체나, 단자 간에 연결할 수 있는 작은 금속 물체가 닿지 않도록 멀리 두십시오. 배터리 단자가 단락되면 화상을 입거나 화재의 위험이 있습니다.
- d. 배터리를 과다 사용하면 액체가 배터리에서 흘러 나올 수 있으므로 접촉을 피하십시오. 실수로 접촉한 경우에는 물로 씻으십시오. 액체가 눈에 들어간 자료를 받으십시오. 배터리에서 나온 액체는 통증을 유발하거나 화상을 입힐 수 있습니다.
6. 수리
 - a. 자격을 갖춘 기술자가 동일 교체 부품을 사용하여 정비 작업을 수행해야 합니다. 그래야 전동 공구의 안전이 보장됩니다.

전동 공구에 관한 추가 안전 경고



경고! 드라이버 및 임팩트 렌치에 대한 추가 안전 경고

- 잠금 장치가 숨겨진 배선 또는 자체 코드에 접촉할 수 있는 작업을 수행할 때는 절연된 그림핑 표면이 닿도록 하여 전동 공구를 접선하십시오. 잠금 장치가 "전류가 흐르는" 전선과 접촉하면 전동 공구의 노출된 금속 부분에 "전류가 흘러" 작업자가 감전될 수 있습니다.
- 임팩트 렌치 사용 시 귀 보호 장비를 착용하십시오. 소음이 노출되면 청력이 손상될 수 있습니다.
- 공구와 함께 제공되는 보조 핸들을 사용하십시오. 제어력을 잃으면 신체 부상을 당할 수 있습니다.
- 클램프 또는 다른 적절한 방식을 이용하여 안정된 작업대에 작업 공구들을 고정 및 지지하십시오. 작업물을 손으로 잡거나 몸에 지지하는 행동은 불안정하며, 제어력을 잃을 수 있습니다.
- 벽, 바닥 또는 천장에서 잠금 장치에 동력을 공급하기 전에 배선 및 파이프의 위치를 확인하십시오.
- 이 공구는 신체, 지각 또는 정신 능력이 낮거나 경험 및 지식이 부족한 사람(어린이 포함)이 사용하도록 설계되지 않았습니다. 이러한 사람이 사용할 때는 안전 책임자의 감독 또는 제품 사용과 관련된 지시 사항이 필요합니다. 어린이가 본 제품을 가지고 놀지 못하도록 항상 주시해야 합니다.
- 본 사용 설명서에 제품의 용도가 설명되어 있습니다. 본 사용 설명서에서 권장하는 방식 이외의 다른 방식으로 본 공구를 조작하거나 액세서리 또는 부속물을 사용하는 경우 신체 부상의 위험이 있거나 재산상의 손해가 발생할 수 있습니다.

공구 라벨

공구에는 다음과 같은 그림이 있습니다.



경고! 부상 위험을 줄이려면 사용자는 사용 설명서를 주의 깊게 읽어야 합니다.

배터리 및 충전기에 대한 추가 안전 지시 사항

배터리

- 어떤 이유든 배터리 팩을 절대 열려고 하지 마십시오.
- 배터리에 물이 닿지 않도록 하십시오.
- 배터리가 열에 노출되지 않도록 하십시오.
- 온도가 0°C 이하로 떨어질 수 있는 곳에 보관하지 마십시오.
- 주변 온도가 10°C - 40°C 사이에 있을 때에만 충전하십시오.
- 충전할 때는 이 제품/공구와 함께 제공된 충전기만 사용해야 합니다.
- 배터리를 폐기할 때는 "환경 보호" 섹션에 나와 있는 지시 사항을 따르십시오.

충전기

- 공구와 함께 제공된 배터리를 충전할 때는 BLACK+DECKER 충전기만 사용하십시오. 다른 배터리를 사용하면 배터리가 폭발하여 신체 부상을 당하거나 손해를 입을 수 있습니다.
- 절대로 비충전식 배터리를 충전하려고 하지 마십시오.
- 손상된 코드는 즉시 교체하십시오.
- 충전기에 물이 닿지 않도록 하십시오.
- 충전기를 해체하거나 열지 마십시오.
- 충전기를 시험하지 마십시오.



충전기는 실내용으로만 사용합니다.



사용하기 전에 사용 설명서의 내용을 숙지하십시오.



주변 온도가 지나치게 높아지면 충전기가 자동으로 차단됩니다. 주변 온도가 내려가는 즉시 충전기가 다시 작동됩니다.



주변 온도가 10° C - 40° C 사이에 있을 때에만 충전하십시오.



충전 중

전기 안전



본 충전기는 이중으로 절연되어 있으므로 접지가 필요 없습니다. 전원 전압이 명판에 기재된 전압과 일치하는지 항상 확인하십시오. 충전기를 절대로 일반 전원 플러그로 교체하지 마십시오.

- 전원 코드가 손상된 경우 사고가 발생하지 않도록 제조업체 또는 공인 BLACK+DECKER 서비스 센터에서 교체해야 합니다.

경고! 충전기를 절대로 일반 전원 플러그로 교체하지 마십시오.

제품특징

- 켜기/끄기 스위치
- 빨리 감기/뒤로 감기 슬라이더
- 비트 홀더
- LED 조명
- 충전 컨넥터

그림 A

- 충전기
- 충전기 플러그

조립

드릴 비트 또는 드라이버 비트 장착 및 분리 (그림 B)

- 이 공구는 6.35 mm (1/4") 육각 샤크의 드라이버 비트와 드릴 비트를 사용합니다.
- 비트를 장착하려면 비트 샤크가 제자리에 고정될 때까지 비트 홀더(3)에 삽입합니다.

- 비트를 분리하려면, 비트 샤크를 비트 홀더(3)에서 빼냅니다.

사용법

- 처음 사용하기 전에 배터리를 17시간 동안 충전해야 합니다.
- 배터리는 처음 사용하기 전에, 그리고 이전에 간단히 수행했었던 작업에서 전력이 부족할 때마다 충전해야 합니다. 처음 배터리를 충전하거나 장시간 보관한 후에는 배터리의 80%만 충전됩니다. 충전과 방전을 몇 번 반복한 후에 배터리는 전체 용량을 사용할 수 있게 됩니다.

배터리 충전(그림 C)

- 배터리를 충전하려면, 충전기 플러그(6)를 커넥터(7)에 삽입합니다.
- 충전기(5) 플러그를 꽂습니다.
- 12시간 동안 공구를 충전기에 연결해 두십시오. 충전 중에 충전기가 잠음을 내며 뜨거워질 수도 있습니다. 이는 정상적인 현상이며 고장이 아닙니다.

경고! 주변 온도가 4° C 이하 또는 40° C 이상일 때는 배터리를 충전하지 마십시오.

회전 방향 선택(그림 D)

나사를 조이려면 전진(시계 방향) 회전을 사용하십시오.

나사를 풀려면 후진(시계 반대 방향) 회전을 사용하십시오.

- 전진 회전을 선택하려면 전진/후진 슬라이더(2)를 전진 위치로 밀니다.
- 후진 회전을 선택하려면 전진/후진 슬라이더(2)를 후진 위치로 밀니다.
- 공구를 잠그려면 전진/후진 슬라이더를 가운데로 설정합니다.

드릴작업/나사 조이기

- 전진/후진 슬라이더(2)를 사용하여 전진 또는 후진 회전을 선택합니다.
- 공구 스위치를 켜려면 on/off 스위치(1)를 누릅니다.
- 공구 스위치를 끄려면 on/off 스위치(1)를 놓습니다.

LED 조명

LED 조명(4)은 on/off 스위치를 놓으면 자동으로 작동됩니다. 또한 LED 조명은 전진/후진 슬라이더(2)를 중앙 위치로 설정하고 on/off 스위치를 놓으면 작동됩니다.

최적의 사용법

나사 조이기

- 공구를 정상 속도로 가동하십시오. 과부하가 발생하면 안 됩니다.
- 항상 올바른 유형과 크기의 드라이버 비트를 사용하십시오.
- 나사를 조이기 어려우면 소량의 액체 세제 또는 비누를 윤활유로 사용해 보십시오.

- 자동 스프린들 잠금 장치를 사용하여 아주 뾰족한 나사를 풀거나 나사를 단단히 조이십시오.
- 항상 공구와 드라이버 비트를 나사와 직각으로 잡으십시오.
- 나무에서 나사를 조일 때는 나사 길이만큼의 깊이로 예비 구멍을 뚫는 것이 좋습니다. 예비 구멍이 나사를 안내하여 나무의 뒤틀림과 찌꺼짐을 방지합니다. 최적의 예비 구멍 크기는 아래의 표를 참조하십시오.
- 견목에서 나사를 조일 때도 나사 길이의 절반과 같은 깊이로 클리어런스 홈을 드릴합니다. 최적의 클리어런스 홈 크기는 아래의 표를 참조하십시오.

나사 크기	예비 구멍 Ø (연목)	예비 구멍 Ø (견목)	클리어런스 홈
6번(3.5 mm)	2.0 mm	2.5 mm	3.6 mm
8번(4 mm)	2.5 mm	3.0 mm	4.5 mm
10번(5 mm)	3.0 mm	3.5 mm	5.0 mm

드릴 작업

- 드릴 비트로 항상 스트레이트 라인을 작동시키십시오.
- 드릴 팁이 깨지기전에 작업면 다른쪽으로 공구압력을 낮추십시오.
- 나무쫂각으로 작업면을 백업하십시오.
- 센터 펀치로 홈 중심점을 드릴시켜 작업 정확도를 높일수 있습니다.

유지 보수

BLACK+DECKER 전동 공구는 최소한의 유지 보수로 장기간에 걸쳐 작업이 가능하도록 설계되어 있습니다. 연속 작동은 적절한 공구 관리와 정기적인 청소에 따라 그 성능이 달라질 수 있습니다.

- ⚠ **경고!** 공구를 유지 보수하려면 먼저 공구에서 배터리를 분리하십시오. 충전기를 청소하기 전에 충전기의 플러그를 뽑으십시오.
- 부드러운 브러시와 마른 헝겊으로 공구의 환기 슬롯을 주기적으로 청소하십시오.
- 젖은 헝겊으로 모터 하우징을 주기적으로 청소하십시오.
- 염마제 및 유성 클리너를 사용하지 마십시오.
- 척을 주기적으로 열고 가볍게 두드려 내부의 먼지를 털어내십시오.

본 공구는 사용자가 수리할 수 없습니다. BLACK+DECKER 공인 수리 대리점에 수리를 의뢰하십시오. 충전기는 정기적인 청소 이외에 유지 보수가 필요하지 않습니다.

중요

제품 안전과 신뢰성을 보장하기 위해 수리, 유지 보수 및 조정 작업(본 사용 설명서에서 다루지 않은 작업)은 공인 서비스 센터 또는 자격을 갖춘 다른 수리점에서 항상 동일한 교체 부품을

사용하여 수행해야 합니다. 본 기기 내부에는 사용자가 수리할 수 있는 부품이 없습니다.

청소

⚠ **경고!** 통풍구 속이나 주변에 먼지가 쌓여있는 것이 보이면 가능한 한 자주 건조한 공기를 이용하여 몸체에서 먼지를 불어내십시오. 이 절차를 수행할 때에는 승인된 보안경 및 승인된 방진 마스크를 착용하십시오.

⚠ **경고!** 공구의 금속 이외 부품을 청소할 때는 용제 등의 강력한 화학약품을 절대 사용하지 마십시오. 그렇지 않으면 이러한 부분에 사용된 재료가 약해질 수 있습니다. 헝겊에 물과 순한 비누를 적서 닦아주십시오. 공구 내부에 액체를 넣거나 공구 부품을 액체에 담그는 행동은 절대 금물입니다.

충전기 청소 지시 사항


⚠ **경고!** 감전 위험. 청소하려면 먼저 충전기를 콘센트에서 분리하십시오. 헝겊이나 부드러운 금속 이외 브러시로 충전기 외관 부분에 묻은 먼지 및 기름을 제거할 수 있습니다. 물이나 세척제를 사용하지 마십시오.

액세서리


전동 공구의 성능은 사용한 액세서리에 따라 결정됩니다. BLACK+DECKER 액세서리는 높은 품질 기준을 만족하도록 제조되었으며, 전동 공구의 성능을 향상시키도록 설계되었습니다. 이러한 액세서리를 사용함으로써 공구의 기능을 최대한 활용할 수 있습니다. BLACK+DECKER 에서 제공하는 다양한 액세서리는 해당 지역에 있는 판매점이나 공인 서비스 센터를 통해 구입할 수 있습니다.

⚠ **주의!** 본 공구와 함께 사용하도록 권장되지 않는 다른 액세서리를 사용할 경우 위험할 수 있습니다.

환경 보호

 분리 수거. 본 제품을 일반 가정용 쓰레기로 처리하면 안됩니다.

BLACK+DECKER 제품을 교체해야 하거나 더 이상 쓸모가 없어졌다고 판단되면 본 제품을 가정용 쓰레기로 처리하지 마십시오. 이 제품은 분리 수거하십시오.

 사용하던 제품과 포장을 분리 수거하면 자원을 재활용 및 재사용할 수 있습니다. 재활용 자원을 이용하면 환경 오염이 방지되고 고철 자원에 대한 수요를 줄일 수 있습니다. 필요에 따라, 거주하는 지역의 올바른 처리 지침은 관할 당국에 문의하십시오.

배터리

BLACK+DECKER 배터리는 여러 번 재충전할 수 있습니다.

배터리 수명이 다하면 환경 보호 차원에서

배터리를 폐기하십시오.

배터리를 완전히 사용하고 난 후 공구에서

분리하십시오.

NiCd 및 NiMH 배터리는 재활용할 수 있습니다.

이 배터리를 지역 재활용 센터로 가져가십시오.

서비스 정보

BLACK+DECKER 는 아시아 전역에 영업소를

자체 운영하거나 공인 서비스 센터를 두고

있습니다. 모든 BLACK+DECKER 서비스

센터에는 교육을 이수한 전문 직원이 배치되어

있어 고객에게 효과적이고 믿을 수 있는 전동

공구 서비스를 제공하고 있습니다. 기술 지원,

수리 또는 순정 교체 부품이 필요한 모든 경우에

가까운 BLACK+DECKER 로 연락하십시오.

참고사항

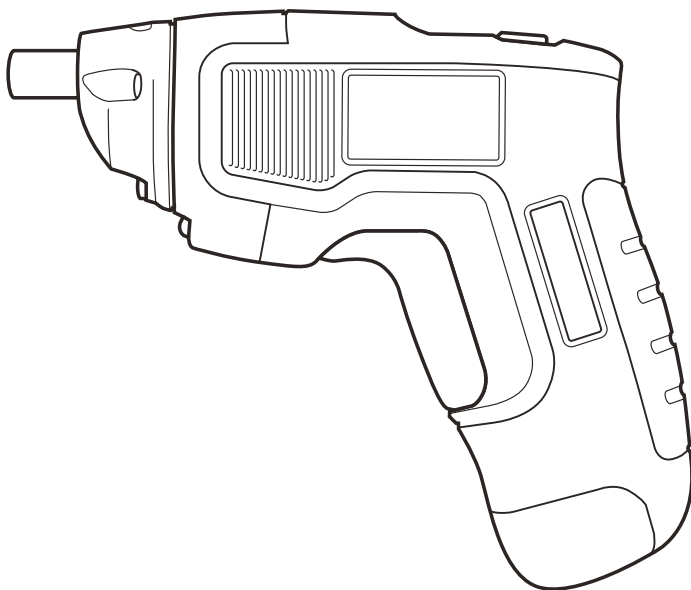
- BLACK+DECKER 는 제품을 지속적으로 개선시키기 때문에 사전 통지 없이 제품 사양이 변경될 수 있습니다.
- 기본 장비 및 액세서리 구성은 국가에 따라 다를 수 있습니다.
- 제품 사양은 국가에 따라 다를 수 있습니다.
- 국가에 따라 판매하지 않는 제품도 있을 수 있습니다. 제품 판매 여부는 해당 지역에 있는 BLACK+DECKER 판매점으로 문의하십시오.



取扱説明書

3.6V スーパーコンパクト

CP310X



安全上のご注意

P2~P4

使う前に

P4~P6

使い方

P7

その他の情報

メンテナンスP8

充電電池と環境P8

アクセサリP8

アフターサービスP8

仕様

P9

保証書

P10~P11

このたびはブラック・アンド・デッカー「3.6V スーパーコンパクト」をお買い上げいただき、誠にありがとうございます。

ご使用になる前に、この取扱説明書をよくお読みになり正しくご使用ください。

この取扱説明書は大切に保管し、必要な時に備えてください。

安全上のご注意



注意

正しく安全にお使いいただく為に、ご使用前に必ずこの取扱説明書にある指示事項を全てお読みください。
お読みになった後は、いつでも見られるように必ず保管してください。

安全上のご注意（必ずお守りください）

電動工具をお取扱いの際には、火災や感電、けがなどの事故を未然に防ぐため、必ずお守りいただくことを、次のように説明しています。

- ・表示内容を無視して誤った使い方をした時に生じる危害や損害の程度を、次の表示マークで区分し、説明しています。



警告

この表示の欄は、「死亡または重傷などを負う可能性が想定される」内容です。



注意

この表示の欄は、「障害を負う可能性又は物的損害のみが発生する可能性が想定される」内容です。

- ・お守りいただく内容を、次の絵表示で説明しています。



このような絵表示は、気をつけていただきたい「注意喚起」の内容です。



警告

電動工具を安全にお使いいただくために

この取扱説明書を大切に保管し、必要な時に備えてください。

◆作業場の環境について

- ・明るく清潔で、乾いた場所で作業してください。散らかった作業場や作業台での作業は事故の原因になります。また、雨の中や湿った場所など本体内部に水の入りやすいところでは使用しないでください。湿気やモーターなどの電気絶縁を低下させ、感電事故につながります。
- ・危険物のまわりでは決して作業しないでください。通常、電動工具は使用中またはスイッチのオン・オフ時にスパーク（火花）が発生しますので、引火性の液体やガスのある場所の近くで使用しないでください。
- ・お子様を近づけないでください。お子様や外部の方、訪問者が電動工具に触れないようにしてください。作業場所は作業者以外、立入禁止にしてください。

◆警告事項

- ・不用意なスイッチ・オンは決してしないでください。持ち運ぶ間はスイッチに手を触れないようにしましょう。不意にスイッチが入り刃物類が作動し、重大な事故を引き起こす恐れがあります。
- ・保護メガネや他の保護器具を必ず使用してください。飛散する切り粉から目を守るために保護メガネを必ず着用してください。ホコリが多量に出る作業では健康のためにも防じんマスクを併用してください。作業環境によっては耳栓、ヘルメット、手袋、安全靴の使用も必要です。

◆工具の使用と手入れ

- ・加工材はしっかりと固定して作業してください。クランプや万力などで加工材を固定してください。手で保持するよりも安全ですし、両手で電動工具を使用することは安全につながります。
- ・スイッチが入らない、あるいは切れない場合は、ご使用を直ちに中止してください。スイッチの故障した電動工具は、不意に刃物類が作動し、重大な事故を引き起こす恐れがあります。所定のサービスセンターで修理してください。
- ・電動工具の調節や刃物、ビット類の交換の際には、必ずスイッチがオフであることを確認してください。こうした確認は不意に電動工具が作動して引き起こす事故を防止します。
- ・指定の付属品、アタッチメントを使用してください。ブラック・アンド・デッカー社製工具への使用を推薦していない付属品やアタッチメントの使用は危険をとまなうことがあります。



注意

電動工具を安全にお使いいただくために

◆電気に関する安全事項

- 電源コードを乱暴に扱わないでください。コードの部分をもって工具をぶら下げて持ち運んだり、コンセントから外す際にコードを引っばったりしないでください。感電やショート等の原因となるので、コードを熱いものや油、薬品類に接触させたり、鋭利なものでキズをつけないように注意してください。万一、誤ってキズをつけた場合はその箇所を手を触れず、直ちにスイッチを切り、電源プラグをコンセントから抜いてください。キズついたコードは火災を引き起こす危険性があります。

◆注意事項

- 常に注意して作業を行ってください。電動工具を使用する際、取扱方法、作業の手順、周囲の状況などに十分注意し作業に集中してください。疲労時や飲酒、薬の服用時などには決して使用しないでください。使用時の集中力の欠如は重大な事故を引き起こす原因となります。
- キチンとした服装で作業を行ってください。そで口の開いた服装や宝石類を身に付けしないでください。電動工具の駆動部分に巻き込まれる恐れがあります。屋外で作業をする際には、滑り止めのついた履き物を着用することをお勧めします。長髪の方は作業の邪魔にならないように帽子をかぶってください。
- 調整用キー、レンチ等は、使用時以外は必ず取り外してください。スイッチを入れる前に、調節に用いたキーやレンチなどの工具類が全て取り外されているかどうか、常に確認する習慣をつけてください。
- 無理な姿勢で作業をしないでください。常に足場を安定させ、バランスを保つようにしてください。無理な姿勢は、思わぬ事故を引き起こす原因となります。
- 電動工具に無理な力をかけないでください。電動工具は、機械本来の用途や負荷状態の限度内でご使用いただくのが基本です。また、所定の速度で使用するによって、仕上がりの良い安全な作業ができます。
- 使用していない電動工具はお子様や初心者の方の手が届かないところに保管してください。電動工具はお子様や初心者の方には大変危険なものです。

◆工具の使用と手入れ

- 損傷部品を点検してください。引き続き使用する前に、安全カバーやその他の部品に損傷がないか点検してください。また正しく動作するか、所定の機能が発揮されるかどうか確認してください。可動部分の位置ずれや引っかかり、部品の破損、取り付け状態、その他に異常がないか点検してください。損傷した不良部品は、所定のサービスセンターで修理または交換してください。
- 電動工具と刃物類は、こまめに手入れをしてください。安全で効率のよい作業をしていただくために、工具の握り部は常に乾かしてきれいな状態に保ち、油やグリスがつかないようにしてください。また刃物類はよく手入れをし、シャープな状態を保ってください。電動工具は常に手入れのゆきとどいた状態で使用してください。

◆修理／メンテナンス

- 電動工具の修理は認定技術者のみが行なえます。修理、メンテナンス、調整はブラック・アンド・デッカー認定サービスセンターの認定技術者が行なわなければなりません。
- 純正部品のみを使用してください。十分な能力を発揮するために、修理、メンテナンス、調整は、純正部品のみを使用して行なわなければなりません。



注意

スクリュードライバーに関する安全上の追加事項。

壁や床に穴をあける際には、内部の電気配線や配管に注意してください。感電や水漏れ、ガス漏れなどの事故を引き起こさないように十分調査してから作業を行ってください。壁裏などの通電中の配線を誤って切断した場合などに備え、二重絶縁されている本体のハンドル部分をつかんで作業を行ってください。通電中の配線に触れると、作業者が感電する危険性があります。

電動工具のラベルには、下記のマークが含まれることがあります。

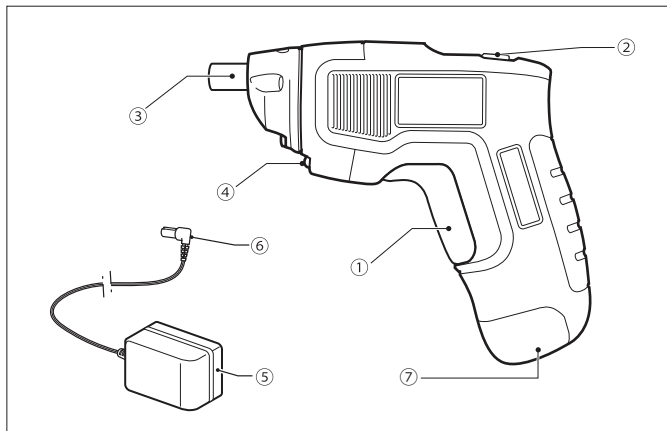
V	電圧
==	直流
□	二重絶縁
⚠	注意
n ₀	無負荷状態での回転数
○○○○/min	1分毎の回転数または復巻数

注意 充電電池と充電器に関する安全上の事項。

◆下記の注意事項を全てお読みください。

- **充電器の定格電圧が電源と一致していることを確認してください。** 充電器は定格表示してある電源で使用してください。昇圧器などのトランス類を使用したり直流電源やエンジン発電機では使用しないでください。異常に発熱し、火災の恐れがあります。
- **充電器は屋内のみで使用してください。** また、充電器を濡れた場所や、ちらかった場所では使用しないでください。特に水まわりの近くでの使用や、水の中に浸けたりしないでください。
- **充電器のコードやプラグ部分に損傷がある場合、** 使用せず新しいものと交換してください。
- **充電器が衝撃、落下、その他何らかの原因で損傷した場合には使用せず、** ブラック・アンド・デッカー認定サービスセンターにお持ち込みください。
- **充電電池／充電器を開ける試みは絶対にしないでください。** 充電電池本体にひびや傷、へこみを発見した場合、再充電することなくすぐにご使用をおやめください。充電器は修理できる構造とはなっておりません。不具合がある場合はお買い上げの販売店、あるいは弊社認定サービスセンターにご相談ください。
- **周囲温度が+4℃以下、及び+40℃以上のときは充電電池の充電を行わないでください。** これは充電電池にあたる重大な損傷を防止するために必要な事項です。
- **充電電池がひどく損傷していたり完全に消耗していても、焼却しないでください。** 充電電池が火の中で爆発する恐れがあります。過度な使用や極端な温度状況のもとでは、わずかな量の液もれが充電電池から発生することがあります。もし外部シールが破れて漏れ出した液体が皮膚に触れた場合は：
 - * 石鹸と水で直ちに洗い落としてください。
 - * レモンジュースや酢などの弱酸性で中和してください。
 - * 電池液が目に入った場合は、きれいな水で少なくとも10分間洗い流してから、直ちに医師の診察を受けてください。(備考：この液体は水酸化カリウム25～35%溶液です。)
- **充電電池の端子間を絶対にショートさせないでください。** ネジ、刃物、くぎなどの金属が充電電池の充電用金属端子に接触してショートすることのないように注意してください。
- **充電電池の充電は専用の充電器のみで行なってください。** 誤った使用法は感電を引き起こしたり、充電電池を加熱させたり、液漏れなどを引き起こす原因となります。取扱説明書に記載してある充電器でのみ、充電電池を充電してください。
- **専用の充電電池でのみ本製品をご利用ください。** 他社製の充電電池での本製品のご使用は、火災を引き起こす危険性があります。取扱説明書に記載している充電電池でのみ、本製品をご使用ください。
- **充電中でないときは、プラグをコンセントから必ずはずしておいてください。**

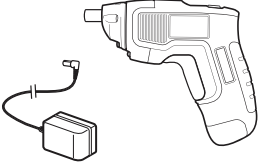
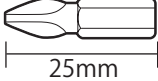
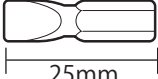
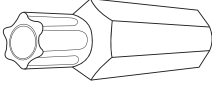
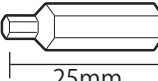
使う前に



- ① トリガースイッチ
- ② 正/逆転/ロックスイッチ
- ③ 六角軸チャック
- ④ LEDライト
- ⑤ 充電器
- ⑥ 充電プラグ
- ⑦ 充電プラグ差込口

商品内容

CP310Xには以下の製品が含まれています。

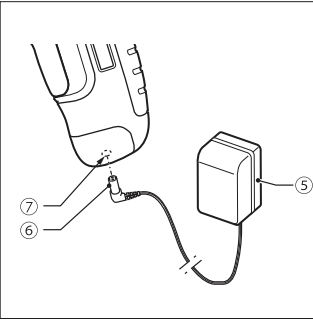
部品名	入数	部品名	入数
3.6V 本体、充電器 	各 1	#1、#2、#3 プラスビット 	各1
		#6,#8,#10 マイナスビット 	各1
#20トルクス 	1	3、4、5mm 六角軸ビット 	各1

充電の手順



工場出荷状態の充電電池は完全に充電されておりません。使用する前に下記手順をよくお読みいただき、確実な充電を行なってください。

◆充電のしかた



- (1) まず図のように、充電プラグ差込口⑦に充電プラグ⑥を差し込みます。
- (2) ⑤充電器をコンセントに接続。
- (3) 製品ご購入後、初回の充電は8時間程度行ってください。二回目以降は通常の使用状態ならば約6時間程度で満充電となります。
- (4) 充電完了後は、充電プラグを外してご使用ください。



警告

充電器を本体から外す際は、まず最初に充電器がコンセントから外れていることを必ず確認してください。また、本体に充電器を接続したままでは絶対に使用しないでください。

◆充電時の重要注意事項

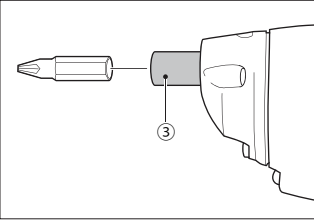
- (1) 気温が $+4^{\circ}\text{C}$ 以下、あるいは $+40^{\circ}\text{C}$ 以上の環境では充電しないでください。これはバッテリーにあたる重大な損傷を防止するために、大変重要な事項です。バッテリーの性能を高め、寿命を最大限に延長する最適な充電時の気温はおおよそ 24°C 前後です。
- (2) 充電中は充電器からかすかな音が発生したり、充電器と充電電池が手で触って暖かく感じる場合がありますが、これは機能的に正常な状態で不具合の症状ではありません。
- (3) 作業中に、工具の作業量が落ちてきたと感じたら必ず再充電を行なってください。充電電池の力が弱くなった状態で作業を続けしないでください。
- (4) 充電電池の寿命を延ばすためには、30日以上充電したままの状態では放置しないでください。これは安全上まったく問題はありませんが、長時間の充電は確実に電池の寿命を短くします。
- (5) 工場出荷状態の充電電池、あるいは長期間放置したままの不活性な状態の充電電池は、最良の性能を発揮するために、通常の使用状態でおおよそ5回の充放電回数を要します。ただし、再充電の前にモーターが動かなくなるくらいまで、充電電池を完全に放電させる必要はまったくありません。通常の使用状態が充電電池にとって最良の放電と充電状態です。

◆充電がうまく行なわれないときは

- (1) 電源コンセントに電灯などの他の電気器具を接続して、電流が流れているかを調べる。
- (2) 電源コンセントが、壁の電源スイッチと連動しているか確認する。
- (3) 周囲温度が $+4^{\circ}\text{C}$ 以上、および $+40^{\circ}\text{C}$ 以下の環境下で充電を行なったか確かめる。
- (4) それでも充電されないときには、お買い上げの販売店あるいは弊社認定サービスセンターに保証書とお買い上げ日を証明できるレシートなどを一緒にご持参の上、ご相談ください。

使い方

◆ビットの取り付け／取り外し方法



- (1) ビットの取付け
・六角軸ビットをチャックの奥まで確実に差し込んでください。
- (2) ビットの外し
・六角軸ビットをチャックからまっすぐ引き抜いてください。

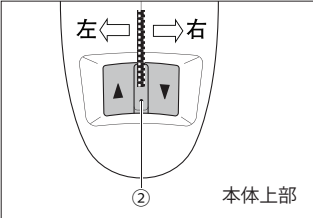
⚠ 注意

ビットの取付け、取り外しの際は絶対にトリガースイッチに触れないでください。工具が不意に動き出し危険です。



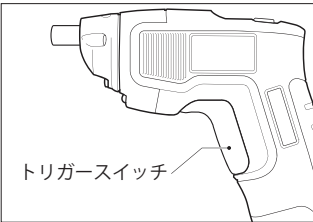
本製品のチャックは二面幅6.35mm、六角軸タイプ専用です。それ以外のビットを装着することはできませんのでご注意ください。

◆正／逆転ロックスイッチ



左図のように②正／逆転／ロックスイッチを右方向にスライドさせると正転します。その際▲のアイコンが表示されます。正／逆転／ロックスイッチを左方向にスライドさせると逆転します。その際▼のアイコンが表示されます。このスイッチを中央位置に合わせると、トリガースイッチがロックされて動かなくなります。この正／逆転／ロックスイッチを操作する際は、トリガースイッチを離してください。

◆トリガースイッチ



トリガースイッチを引くと作動します。またトリガースイッチを離せば停止します。

◆スピンドルロック

本製品にはオートスピンドルロック機構が内蔵されております。本体のスイッチを入れずに、本体を手で回すことにより自動的にスピンドル（主軸／チャック）が固定され、手動ドライバーとしても使用することが可能です。ネジの増し締めや固く締まったネジを緩める時など、より大きなトルクが必要な作業に大変便利です。

本製品の最大締め付けトルク値は7.7N・mです。能力以上の作業を行うと、ネジが回らなくなります。その際は、スピンドルロック機能を利用して、作業を終了してください。

メンテナンス

製品の掃除には、から拭き、水またはぬるま湯でうすめた中性洗剤を湿らせた布で表面を拭いてください。テレピン油、ペイント用シンナー等の薬品は使用しないでください。製品内部に液体が入らないように、また製品本体を液体に浸けないように十分注意してください。

充電電池と環境



Li-ion

リチウム電池
リサイクルへ

本製品に使用しているリチウム充電電池はリサイクル可能な貴重な資源です。充電電池や製品の廃棄の際には、下記の手順に従いリサイクルにご協力ください。

- (1) 充電電池の寿命がなくなるまで使いきってから充電電池を交換する（リチウム充電電池には寿命があります）。
- (2) 使用後は捨てないで、充電式電池リサイクル協力店またはブラック・アンド・デッカー認定サービスセンターにお持ちください。



使用済み充電電池のお取扱の際は、下記注意事項をお守りください。

- ・プラス端子、マイナス端子をテープ等で絶縁してください。
- ・充電電池を分解しないでください。
- ・充電電池パックに液もれが見られる場合、手袋などを装着して液体が直接手や肌に触れぬように細心の注意を払ってください。

◆充電電池パックの取り外し方



寿命を迎えた充電電池を取り外す前に、スイッチを入れモーターが動かなくなるまで完全に充電電池を放電させてください。

本体の銘板側にあるネジを取り外します。充電電池パックを本体から引き出し2本の配線を外して、充電電池パックを取り外します。取り外した充電電池パックのプラス端子、マイナス端子をテープなどで絶縁してください。

アフターサービスについて

本機の修理、メンテナンス、調整はブラック・アンド・デッカー認定サービスセンターにて認定技術者が純正部品を使用して行なわなければなりません。必ずお買い上げの販売店または当社認定サービスセンターまでご相談ください。修理の知識や技術のない方が修理を行ないますと、事故やケガの恐れがあります。

仕 様

本 体

定格電圧	DC 3.6V
チャック	六角軸 (二面幅 6.35mm)
最大トルク	7.7N・m
バッテリー	リチウムイオン電池 Li-ion
バッテリー容量	1.1Ah
充電時間	6時間 (満充電)
充 電 器	
入力	AC 100V 50/60Hz
出力	DC9V 200mA

最大能力

ネジ締め (mm)	38mm長
最大作業量(満充電)	
ネジサイズ: 3.5X20mm	約193本

ポププリベット・ファスナー株式会社

ブラック・アンド・デッカー事業部

〒171-0022 東京都豊島区南池袋1-11-22
山種池袋ビル4F

Tel: 03 (5979) 5677 Fax: 03 (5979) 5788

www.blackanddecker-japan.com

製品保証書

<保証規定>

保証期間：お買い上げ日より1年間

- 1) 取扱説明書や製品ラベルに記載されている注意書きに従った使用状況で、本製品が万が一故障した場合には、弊社が定める保証条件により対応いたします。
無償修理・交換をご依頼になる場合は、以下のものを、お買い上げの販売店までご持参、またはブラック・アンド・デッカーサービスセンターまでご送付ください。
 - ・製品
 - ・必要事項を記入した本書
 - ・レシート（領収書）またはそのコピーお買い上げの販売店、またはブラック・アンド・デッカーサービスセンターまでご持参、またはご送付いただいた場合の諸費用は、お客様の負担となります。
- 2) 次の場合は、本保証書規定の対象外となり、有料の修理・交換とさせていただきます。
 - ◆本書、及びお買い上げを証明するレシート（領収書）またはそのコピーの提示がない場合
 - ◆ご家庭以外（業務用としてなど）で使用した場合の故障および損傷
 - ◆移動、落下などによる故障および損傷
 - ◆使用上の誤りや注意書きを無視した使用による故障及び損傷
 - ◆不当な修理や改造による故障及び損傷
 - ◆火災・地震などの天災。騒乱などの人災、公害や異常電圧などの環境による故障および損傷
 - ◆海外など、ご利用電源が100V（50/60Hz）でない環境でのご使用による故障および損傷
 - ◆保証期間経過後のご依頼
- 3) 本書は日本国内においてのみ有効です。This warranty is valid only in Japan.
- 4) 本書は再発行いたしませんので、紛失しないように大切に保管してください。
- 5) 本規定は、以上の保証規定により修理・交換をお約束するためのもので、これによりお客様の法律上の権利を制限するものではありません。
※ 充電機、電球、ビット、ノコ刃、サンドペーパー、掃除機フィルター等の消耗品は保証の対象外です。

<アフターサービスについて>

アフターサービスに関する事項は、「アフターサービスについて」をご参照ください。
保証期間経過後の修理等については、ブラック・アンド・デッカーサービスセンターまでお問合せください。

<個人情報のお取り扱いについて>

弊社は、お客様よりお知らせいただいたお客様の住所、氏名、電話番号などの個人を識別、もしくは特定することのできる固有の情報（以下「個人情報」）を、本サービス提供目的のため、弊社ならびに弊社指定の宅配業者に提供します。お客様は、あらかじめこれに同意するものとします。また個人情報は、新製品情報、イベントのご案内、弊社製品サービスの品質向上のためにも利用させていただきます。

BLACK+DECKER

ブラック・アンド・デッカー 製品保証書

本書は、裏面に記載された保証規定により無償で修理・交換をお約束するものです。
詳細は裏面の保証規定をご参照ください。

お客様記入欄	
フリガナ	
お名前	
TEL	()
ご住所	(〒) 都道府県
製品名	型番
スーパーコンパクト	CP310X
お買い上げ日	販売店名
年 月 日	
販売店住所	
TEL: ()	

ポップリベット・ファスナー株式会社
ブラック・アンド・デッカー事業部
〒171-0022 東京都豊島区南池袋1-11-22 山種池袋ビル4F
TEL:03(5979)5677 FAX:03(5979)5788

キリトリ