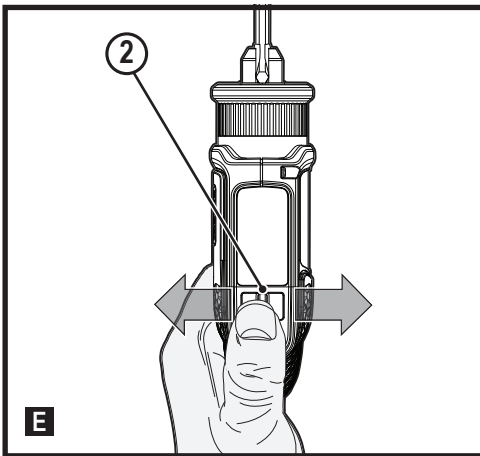
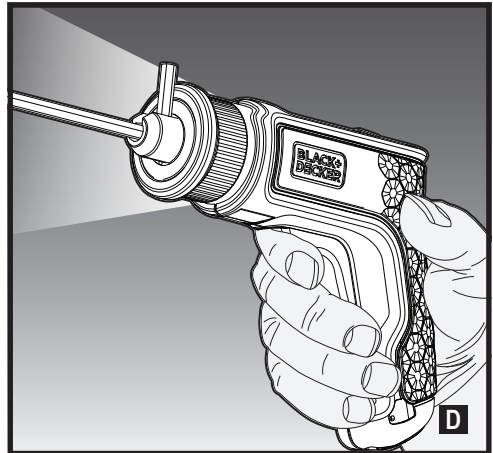
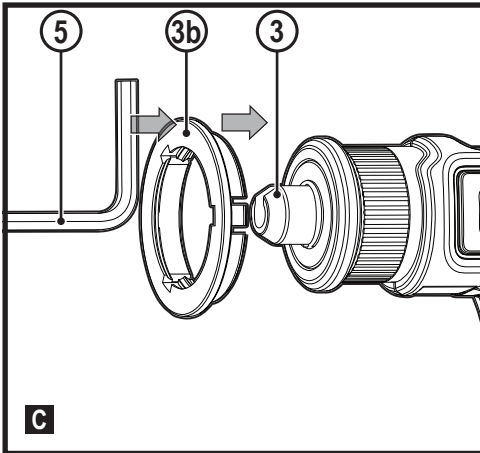
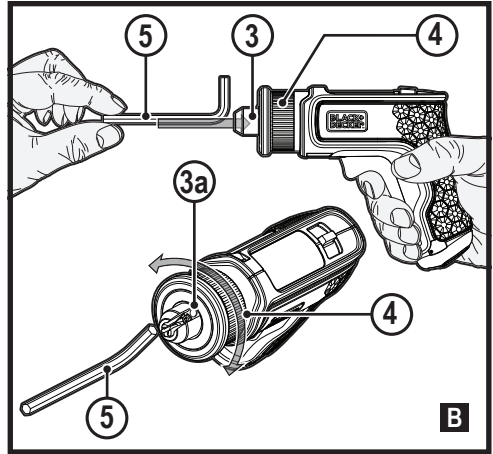
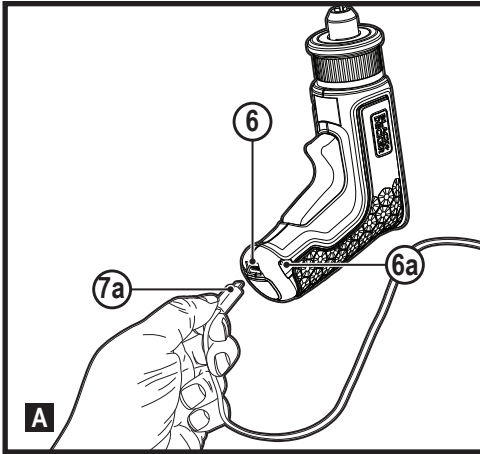


English ( <b>original instructions</b> )	3
Deutsch ( <i>übersetzt von den originalanweisungen</i> )	8
Français ( <i>traduction de la notice d'instructions originale</i> )	13
Italiano ( <i>tradotto dalle istruzioni originali</i> )	18
Nederlands ( <i>vertaald vanuit de originele instructies</i> )	23
Español ( <i>traducido de las instrucciones originales</i> )	28
Português ( <i>traduzido das instruções originais</i> )	33
Svenska ( <i>översatt från de ursprungliga instruktionerna</i> )	38
Norsk ( <i>oversatt fra de originale instruksjonene</i> )	42
Dansk ( <i>oversat fra original brugsvejledning</i> )	46
Suomi ( <i>käännetty alkuperäisestä käyttöohjeesta</i> )	51
Ελληνικά ( <i>μετάφραση από τις πρωτότυπες οδηγίες</i> )	55



### Intended use

Your BLACK+DECKER™ BCRTA01 driver has been designed for hex key assembly applications. This tool is intended for consumer use only.

### Safety instructions

#### General power tool safety warnings



**Warning!** Read all safety warnings, instructions, illustrations and specifications provided with this power tool. Failure to follow all instructions listed below may result in electric shock, fire and/or serious injury.

#### Save all warnings and instructions for future reference.

The term "power tool" in the warnings refers to your mains-operated (corded) power tool or battery-operated (cordless) power tool.

1. **Work area safety**
  - a. **Keep work area clean and well lit.** Cluttered or dark areas invite accidents.
  - b. **Do not operate power tools in explosive atmospheres, such as in the presence of flammable liquids, gases or dust.** Power tools create sparks which may ignite the dust or fumes.
  - c. **Keep children and bystanders away while operating a power tool.** Distractions can cause you to lose control.
2. **Electrical safety**
  - a. **Power tool plugs must match the outlet. Never modify the plug in any way. Do not use any adapter plugs with earthed (grounded) power tools.** Unmodified plugs and matching outlets will reduce risk of electric shock.
  - b. **Avoid body contact with earthed or grounded surfaces such as pipes, radiators, ranges and refrigerators.** There is an increased risk of electric shock if your body is earthed or grounded.
  - c. **Do not expose power tools to rain or wet conditions.** Water entering a power tool will increase the risk of electric shock.
  - d. **Do not abuse the cord. Never use the cord for carrying, pulling or unplugging the power tool. Keep cord away from heat, oil, sharp edges or moving parts.** Damaged or entangled cords increase the risk of electric shock.
  - e. **When operating a power tool outdoors, use an extension cord suitable for outdoor use.** Use of a cord suitable for outdoor use reduces the risk of electric shock.
  - f. **If operating a power tool in a damp location is unavoidable, use a residual current device (RCD) protected supply.** Use of an RCD reduces the risk of electric shock.
3. **Personal safety**
  - a. **Stay alert, watch what you are doing and use common sense when operating a power tool.** Do not use a power tool while you are tired or under the influence of drugs, alcohol or medication. A moment of inattention while operating power tools may result in serious personal injury.
  - b. **Use personal protective equipment. Always wear eye protection.** Protective equipment such as dust mask, non-skid safety shoes, hard hat, or hearing protection used for appropriate conditions will reduce personal injuries.
  - c. **Prevent unintentional starting. Ensure the switch is in the off-position before connecting to power source and/or battery pack, picking up or carrying the tool.** Carrying power tools with your finger on the switch or energising power tools that have the switch on invites accidents.
  - d. **Remove any adjusting key or wrench before turning the power tool on.** A wrench or a key left attached to a rotating part of the power tool may result in personal injury.
  - e. **Do not overreach. Keep proper footing and balance at all times.** This enables better control of the power tool in unexpected situations.
  - f. **Dress properly. Do not wear loose clothing or jewellery. Keep your hair, clothing and gloves away from moving parts.** Loose clothes, jewellery or long hair can be caught in moving parts.
  - g. **If devices are provided for the connection of dust extraction and collection facilities, ensure these are connected and properly used.** Use of dust collection can reduce dust-related hazards.
  - h. **Do not let familiarity gained from frequent use of tools allow you to become complacent and ignore tool safety principles.** A careless action can cause severe injury within a fraction of a second.
4. **Power tool use and care**
  - a. **Do not force the power tool. Use the correct power tool for your application.** The correct power tool will do the job better and safer at the rate for which it was designed.
  - b. **Do not use the power tool if the switch does not turn it on and off.** Any power tool that cannot be controlled with the switch is dangerous and must be repaired.
  - c. **Disconnect the plug from the power source and/or the battery pack from the power tool before making any adjustments, changing accessories, or storing power tools.** Such preventive safety measures reduce the risk of starting the power tool accidentally.
  - d. **Store idle power tools out of the reach of children and do not allow persons unfamiliar with the power tool or these instructions to operate the power tool.** Power tools are dangerous in the hands of untrained users.
  - e. **Maintain power tools and accessories. Check for misalignment or binding of moving parts, breakage of parts and any other condition that may affect the power tools operation. If damaged, have the power tool repaired before use.** Many accidents are caused by poorly maintained power tools.
  - f. **Keep cutting tools sharp and clean.** Properly maintained cutting tools with sharp cutting edges are less likely to bind and are easier to control.
  - g. **Use the power tool, accessories and tool bits etc. in accordance with these instructions, taking into account the working conditions and the work to be performed.** Use of the power tool for operations different from those intended could result in a hazardous situation.

- h. **Keep handles and grasping surfaces dry, clean and free from oil and grease.** Slippery handles and grasping surfaces do not allow for safe handling and control of the tool in unexpected situations.
5. **Battery tool use and care**
- a. **Recharge only with the charger specified by the manufacturer.** A charger that is suitable for one type of battery pack may create a risk of fire when used with another battery pack.
- b. **Use power tools only with specifically designated battery packs.** Use of any other battery packs may create a risk of injury and fire.
- c. **When battery pack is not in use, keep it away from other metal objects, like paper clips, coins, keys, nails, screws, or other small metal objects, that can make a connection from one terminal to another.** Shorting the battery terminals together may cause burns or a fire.
- d. **Under abusive conditions, liquid may be ejected from the battery; avoid contact. If contact accidentally occurs, flush with water. If liquid contacts eyes, additionally seek medical help.** Liquid ejected from the battery may cause irritation or burns.
- e. **Do not use a battery pack or tool that is damaged or modified.** Damaged or modified batteries may exhibit unpredictable behaviour resulting in fire, explosion or risk of injury.
- f. **Do not expose a battery pack or tool to fire or excessive temperature.** Exposure to fire or temperature above 130 °C may cause explosion.
- g. **Follow all charging instructions and do not charge the battery pack or tool outside the temperature range specified in the instructions.** Charging improperly or at temperatures outside the specified range may damage the battery and increase the risk of fire.
6. **Service**
- a. **Have your power tool serviced by a qualified repair person using only identical replacement parts.** This will ensure that the safety of the power tool is maintained.
- b. **Never service damaged battery packs.** Service of battery packs should only be performed by the manufacturer or authorized service providers.

### Additional power tool safety warnings



**Warning!** Additional safety warnings for screwdrivers.

- ◆ **Hold power tool by insulated gripping surfaces, when performing an operation where the Fasteners may contact hidden wiring or its own cord.**

Fasteners contacting a "live" wire may make exposed metal parts of the power tool "live" and could give the operator an electric shock.

- ◆ **Wear ear protectors with impact wrenches.** Exposure to noise can cause hearing loss.
- ◆ **Use auxiliary handles supplied with the tool.** Loss of control can cause personal injury.
- ◆ **Use clamps or another practical way to secure and support the work piece to a stable platform.** Holding the work by hand or against your body leaves it unstable and may lead to loss of control.
- ◆ **Before driving fasteners into walls, floors or ceilings, check for the location of wiring and pipes.**
- ◆ **The intended use is described in this instruction manual.**
- ◆ **The use of any accessory or attachment or performance of any operation with this tool other than those recommended in this instruction manual may present a risk of personal injury and/or damage to property.**

### Safety instructions when using long drill bits

- ◆ **Never operate at higher speed than the maximum speed rating of the drill bit.** At higher speeds, the bit is likely to bend if allowed to rotate freely without contacting the workpiece, resulting in personal injury.
- ◆ **Always start drilling at low speed and with the bit tip in contact with the workpiece.** At higher speeds, the bit is likely to bend if allowed to rotate freely without contacting the workpiece, resulting in personal injury.
- ◆ **Apply pressure only in direct line with the bit and do not apply excessive pressure.** Bits can bend causing breakage or loss of control, resulting in personal injury.

### Safety of others

- ◆ This tool is not intended for use by persons (including children) with reduced physical, sensory or mental capabilities, or lack of experience and knowledge, unless they have been given supervision or instruction concerning use of the appliance by a person responsible for their safety.
- ◆ Children should be supervised to ensure that they do not play with the appliance.

### Residual risks

Additional residual risks may arise when using the tool which may not be included in the enclosed safety warnings. These risks can arise from misuse, prolonged use etc.

Even with the application of the relevant safety regulations and the implementation of safety devices, certain residual risks can not be avoided. These include:

- ◆ Injuries caused by touching any rotating/moving parts.

- ◆ Injuries caused when changing any parts, blades or accessories.
- ◆ Injuries caused by prolonged use of a tool. When using any tool for prolonged periods ensure you take regular breaks.
- ◆ Impairment of hearing.
- ◆ Health hazards caused by breathing dust developed when using your tool (example:- working with wood, especially oak, beech and MDF.)

### Vibration

The declared vibration emission values stated in the technical data and the declaration of conformity have been measured in accordance with a standard test method provided by EN62841 and may be used for comparing one tool with another.

The declared vibration emission value may also be used in a preliminary assessment of exposure.

**Warning!** The vibration emission value during actual use of the power tool can differ from the declared value depending on the ways in which the tool is used. The vibration level may increase above the level stated.

When assessing vibration exposure to determine safety measures required by 2002/44/EC to protect persons regularly using power tools in employment, an estimation of vibration exposure should consider, the actual conditions of use and the way the tool is used, including taking account of all parts of the operating cycle such as the times when the tool is switched off and when it is running idle in addition to the trigger time.

### Labels on tool

The following pictograms along with the date code are shown on the tool:



**Warning!** To reduce the risk of injury, the user must read the instruction manual.



Do not stare at operating lamp

### Additional safety instructions for batteries and chargers

#### Batteries

- ◆ Never attempt to open for any reason.
- ◆ Do not expose the battery to water.
- ◆ Do not store in locations where the temperature may exceed 40 °C.
- ◆ Charge only at ambient temperatures between 10 °C and 40 °C.
- ◆ When disposing of batteries, follow the instructions given in the section "Protecting the environment".



Do not attempt to charge damaged batteries.

### Features

This tool includes some or all of the following features:

1. On/off switch
2. Forward/reverse slider
3. Bit holder chuck
4. Collar/LED work light
5. Hex key
6. Charging port
7. USB connector

### Charging the battery (fig. A)

- ◆ Insert the USB connector (7a) into the charging port (6).
- ◆ Plug the USB connector (7b) into a USB power supply (not included).
- ◆ Leave the tool connected to the charger for up to 4 hours.
- ◆ The charging indicator (6a) will illuminate during charging.
- ◆ Once fully charged the charging indicator (6a) will go out.

### Fitting and removing a Hex key (fig. B, C)

**Warning!** Make sure the forward reverse slider (2) is in the locked off position (central position).

- ◆ Turn the collar (4) anti-clockwise to open the bit holder chuck (3).
- ◆ insert the hex key (5) into the bit holder chuck (3) until it comes into contact with the magnetic disc (3a) at the end of the channel, making sure it is central to the chuck body.
- ◆ Tighten the collar (4) clockwise until the hex key (5) is secure.
- ◆ A clip on extension collar (3a) is provided to facilitate larger hex keys. Fit as illustrated in figure C.

**Warning!** Use only with the short end of the hex key sitting in the slot. Injury may occur if the hex key overhangs the collar

### LED work light (fig. D)

The LED work light (4) is activated automatically when the on/off switch (1) is depressed. The LED will also illuminate when the trigger is depressed and the forward/reverse slider (2) is in the locked off position (central position).

### Selecting the direction of rotation (fig. E)

For drilling and for tightening hex bolts, use forward rotation. For loosening hex bolts, use reverse rotation.

- ◆ To select forward rotation, push the forward/reverse slider (2) to the right position.
- ◆ To select reverse rotation, push the forward/reverse slider (2) to the left position.
- ◆ To lock the tool, set the forward/reverse slider into the centre position.

## Fastening

- ◆ Select forward or reverse rotation using the forward/reverse slider (2).
- ◆ To switch the tool on, press the on/off switch (1).
- ◆ To switch the tool off, release the on/off switch (1).

## Hints for optimum use

### Screwdriving

- ◆ Always use the correct type and size of hex key.
- ◆ If hex bolts are difficult to tighten, try applying a small amount of washing liquid or soap as a lubricant.
- ◆ Always hold the tool and hex key in a straight line with the hex bolt.

**Note:** This unit can also accept standard hex screwdriver bits.

### Maintenance

Your BLACK+DECKER tool has been designed to operate over a long period of time with a minimum of maintenance. Continuous satisfactory operation depends upon proper tool care and regular cleaning.

**Warning!** Before performing any cleaning or maintenance on the tool, unplug from the charger.

- ◆ Regularly clean the motor housing using a damp cloth. Do not use any abrasive or solvent-based cleaner.

### Protecting the environment



Separate collection. Products and batteries marked with this symbol must not be disposed of with normal household waste.

Products and batteries contain materials that can be recovered or recycled reducing the demand for raw materials. Please recycle electrical products and batteries according to local provisions. Further information is available at [www.2helpU.com](http://www.2helpU.com)

### Technical data

		BCRTA01
Voltage	V <sub>DC</sub>	3.6
No-load speed	min <sup>-1</sup>	180
Hard stall torque	Nm	5.5
Max. torque	Nm	5.5
Chuck	mm	6
Weight	kg	0.4
<b>Battery</b>		
Battery type		Li-Ion
Ah rating		1.5Ah

Level of sound pressure according to EN 62841:

Sound pressure (L<sub>pa</sub>) 57 dB(A), uncertainty (K) 5 dB(A)

Sound power (L<sub>wa</sub>) 68 dB(A), uncertainty (K) 5 dB(A)

Vibration total values (triax vector sum) according to EN 62841:

Screwdriving without impact (a<sub>h</sub>) 0.5 m/s<sup>2</sup>, uncertainty (K) 1.5 m/s<sup>2</sup>

## EC declaration of conformity

MACHINERY DIRECTIVE



BCRTA01 Driver

Black & Decker declares that these products described under "technical data" are in compliance with:

2006/42/EC, EN62841-1:2015, EN62841-2-1:2018.

These products also comply with Directive 2014/30/EU and 2011/65/EU. For more information, please contact Black & Decker at the following address or refer to the back of the manual.

The undersigned is responsible for compilation of the technical file and makes this declaration on behalf of Black & Decker.

Ed Higgins

Director – Consumer Power Tools

Black & Decker Europe, 270 Bath Road, Slough,  
Berkshire, SL1 4DX  
United Kingdom

17/02/2020

### Guarantee

Black & Decker is confident of the quality of its products and offers consumers a 24 month guarantee from the date of purchase. This guarantee is in addition to and in no way prejudices your statutory rights. The guarantee is valid within the territories of the Member States of the European Union and the European Free Trade Area.

To claim on the guarantee, the claim must be in accordance with Black & Decker Terms and Conditions and you will need to submit proof of purchase to the seller or an authorised repair agent.

Terms and conditions of the Black & Decker 2 year guarantee and the location of your nearest authorised repair agent can be obtained on the Internet at [www.2helpU.com](http://www.2helpU.com), or by contacting your local Black & Decker office at the address indicated in this manual.

Please visit our website [www.blackanddecker.co.uk](http://www.blackanddecker.co.uk) to register your new Black & Decker product and receive updates on new products and special offers.

## Verwendungszweck

Ihr BLACK+DECKER™ Schraubendreher BCRTA01 wurde für Montagearbeiten mit Innensechskanteinsätzen entwickelt. Dieses Gerät ist nicht für den gewerblichen Einsatz vorgesehen.

## Sicherheitshinweise

### Allgemeine Sicherheitswarnungen für das Gerät



**Warnung! Beachten Sie alle Sicherheitshinweise, Anweisungen, Darstellungen und Daten, die Sie mit dem Gerät erhalten.** Wenn Sie die folgenden Anweisungen nicht beachten, kann es zu elektrischem Schlag, Feuer und/oder schweren Verletzungen kommen.

**Bewahren Sie alle Warnhinweise und alle Anweisungen gut auf.** Der Begriff „Gerät“ bezieht sich auf netzbetriebene Geräte (mit Netzkabel) und auf akkubetriebene Geräte (ohne Netzkabel).

#### 1. Sicherheit im Arbeitsbereich

- a. **Halten Sie Ihren Arbeitsbereich sauber und gut ausgeleuchtet.** Unaufgeräumte oder dunkle Bereiche begünstigen Unfälle.
- b. **Betreiben Sie das Gerät nicht in Umgebungen, in denen Explosionsgefahr z. B. aufgrund von brennbaren Flüssigkeiten, Gasen oder Staub besteht.** Geräte erzeugen Funken, die den Staub oder die Dämpfe entzünden können.
- c. **Halten Sie Kinder und andere Personen während der Benutzung eines Geräts fern.** Bei Ablenkung können Sie die Kontrolle verlieren.

#### 2. Elektrische Sicherheit

- a. **Der Netzstecker des Geräts muss in die Steckdose passen. Ändern Sie niemals den Stecker in irgendeiner Form. Verwenden Sie keinerlei Adapterstecker an geerdeten Elektrogeräten.** Unveränderte Stecker und passende Steckdosen mindern die Gefahr eines elektrischen Schlages.
- b. **Vermeiden Sie Körperkontakt mit geerdeten Oberflächen von Rohren, Heizungen, Herden und Kühlschränken.** Es besteht eine erhöhte Gefahr für einen elektrischen Schlag, wenn Ihr Körper geerdet ist.
- c. **Halten Sie Geräte von Regen und Nässe fern.** Das Eindringen von Wasser in ein Gerät erhöht das Risiko eines elektrischen Schlages.
- d. **Verwenden Sie das Kabel ordnungsgemäß. Verwenden Sie es niemals zum Tragen. Trennen Sie das Gerät nicht durch Ziehen am Kabel vom Netz. Halten Sie das Kabel fern von Hitze, Öl, scharfen Kanten oder beweglichen Teilen.**

Beschädigte oder verhedderte Kabel erhöhen die Gefahr eines elektrischen Schlages.

- e. **Verwenden Sie nur für den Außenbereich zugelassene Verlängerungskabel, wenn Sie mit dem Gerät im Freien arbeiten.** Die Verwendung eines für den Außenbereich geeigneten Verlängerungskabels verringert das Risiko eines elektrischen Schlages.
  - f. **Wenn das Gerät in einer feuchten Umgebung verwendet werden muss, schließen Sie es unbedingt an eine Steckdose mit Fehlerstromschutzschalter (FI-Schalter) an.** Ein Fehlerstromschutzschalter verringert das Risiko eines elektrischen Schlages.
- #### 3. Sicherheit von Personen
- a. **Seien Sie aufmerksam, achten Sie darauf, was Sie tun, und gehen Sie sachgerecht mit einem Gerät um. Benutzen Sie kein Gerät, wenn Sie müde sind oder unter dem Einfluss von Drogen, Alkohol oder Medikamenten stehen.** Ein Moment der Unachtsamkeit beim Betrieb eines Geräts kann zu schweren Verletzungen führen.
  - b. **Verwenden Sie eine geeignete Schutzausrüstung. Tragen Sie immer einen Augenschutz.** Das Tragen persönlicher Schutzausrüstung, wie Staubmaske, rutschfeste Sicherheitsschuhe, Schutzhelm oder Gehörschutz, je nach Art und Einsatz des Geräts, verringert das Risiko von Verletzungen.
  - c. **Vermeiden Sie eine unbeabsichtigte Inbetriebnahme. Vergewissern Sie sich, dass das Gerät ausgeschaltet ist, bevor Sie es an eine Steckdose oder einen Akku anschließen, es hochheben oder tragen.** Wenn Sie beim Tragen des Geräts den Finger am Schalter haben oder das Gerät eingeschaltet an die Stromversorgung anschließen, kann dies zu Unfällen führen.
  - d. **Entfernen Sie Einstell- oder Schraubenschlüssel, bevor Sie das Gerät einschalten.** Werkzeuge oder Schlüssel, die an rotierenden Teilen des Elektrogerätes angebracht sind, können zu Verletzungen führen.
  - e. **Beugen Sie sich nicht zu weit nach vorne. Sorgen Sie für einen sicheren Stand und halten Sie jederzeit das Gleichgewicht.** Dadurch können Sie das Gerät in unerwarteten Situationen besser kontrollieren.
  - f. **Tragen Sie geeignete Kleidung. Tragen Sie keine weite Kleidung und keinen Schmuck. Halten Sie Ihre Haare, Kleidung und Handschuhe von beweglichen Teilen fern.** Lose sitzende Kleidung, Schmuck oder lange Haare können sich in den beweglichen Teilen verfangen.
  - g. **Falls Vorrichtungen zum Absaugen oder Auffangen von Staub vorhanden sind, vergewissern Sie sich, dass diese angeschlossen sind und richtig verwendet werden.** Das Verwenden einer Staubauffangvorrichtung verringert Gefährdungen durch Staub.



- h. Vermeiden Sie, durch die häufige Nutzung des Werkzeugs in einen Trott zu verfallen und Prinzipien für die Werkzeugsicherheit zu ignorieren.** Eine unachtsame Aktion kann im Bruchteil einer Sekunde zu schweren Verletzungen führen.
- 4. Gebrauch und Pflege von Geräten**
- a. Überlasten Sie das Gerät nicht. Verwenden Sie das für Ihre Arbeit passende Gerät.**  
Das richtige Gerät wird die Aufgabe besser und sicherer erledigen, wenn es bestimmungsgemäß verwendet wird.
- b. Verwenden Sie das Gerät nicht, wenn der Ein-/Ausschalter nicht funktioniert.** Ein Gerät, das sich nicht mehr ein- oder ausschalten lässt, ist gefährlich und muss repariert werden.
- c. Ziehen Sie den Stecker aus der Steckdose, oder trennen Sie das Gerät vom Akku, bevor Sie Einstellungen vornehmen, Zubehörteile wechseln oder das Gerät lagern.** Diese Vorbeugemaßnahmen mindern die Gefahr, dass das Elektrogerät unbeabsichtigt startet.
- d. Bewahren Sie unbenutzte Geräte außerhalb der Reichweite von Kindern auf. Lassen Sie Geräte nicht von Personen benutzen, die damit nicht vertraut sind oder diese Anweisungen nicht gelesen haben.** Geräte sind in den Händen nicht geschulter Personen gefährlich.
- e. Halten Sie das Gerät und sein Zubehör in einem einwandfreien Zustand. Kontrollieren Sie, ob bewegliche Teile falsch ausgerichtet sind oder klemmen und ob Teile gebrochen oder so beschädigt sind, dass die Funktion des Geräts beeinträchtigt ist. Bei Beschädigungen lassen Sie das Gerät reparieren, bevor Sie es verwenden.** Viele Unfälle entstehen wegen mangelnder Wartung der Geräte.
- f. Halten Sie Schneidgeräte scharf und sauber.** Richtig gewartete Schneidwerkzeuge mit scharfen Klingen blockieren seltener und sind leichter unter Kontrolle zu halten.
- g. Benutzen Sie Elektrowerkzeuge, Zubehör, Werkzeugspitzen und Ähnliches in Übereinstimmung mit diesen Anweisungen und auf die für das jeweilige Elektrowerkzeug bestimmungsgemäße Weise und beachten Sie dabei die jeweiligen Arbeitsbedingungen und die Art der auszuführenden Arbeiten.**  
Der Gebrauch von Geräten für andere als die vorgesehenen Zwecke kann zu gefährlichen Situationen führen.
- h. Halten Sie die Griffe trocken, sauber und frei von Öl und Fett.** Rutschige Griffe und Oberflächen unterbinden die sichere Bedienbarkeit und Kontrolle über das Werkzeug in unerwarteten Situationen.
- 5. Gebrauch und Pflege von Akkuwerkzeugen**
- a. Laden Sie den Akku nur mit dem vom Hersteller vorgesehenen Ladegerät auf.** Für ein Ladegerät, das nur für eine bestimmte Akkuart geeignet ist, besteht Brandgefahr, wenn es mit anderen Akkus verwendet wird.
- b. Verwenden Sie nur die für das jeweilige Gerät vorgesehenen Akkus.** Die Verwendung anderer Akkus kann zu Verletzungen oder Bränden führen.
- c. Bewahren Sie den Akku bei Nichtbenutzung nicht in der Nähe metallischer Objekte wie Büroklammern, Münzen, Schlüsseln, Nägeln oder Schrauben auf, da diese eine Verbindung zwischen beiden Polen des Akkus herstellen können.** Durch den dadurch entstehenden Kurzschluss kann der Akku in Brand geraten.
- d. Bei falscher Anwendung kann Flüssigkeit aus dem Akku austreten. Vermeiden Sie den Kontakt damit. Bei unbeabsichtigtem Kontakt mit Wasser abspülen. Gelangt die Flüssigkeit in die Augen, ziehen Sie außerdem ärztliche Hilfe hinzu.** Austretende Akkuflüssigkeit kann zu Hautreizungen oder Verbrennungen führen.
- e. Verwenden Sie keine Akkus oder Werkzeuge, die beschädigt sind oder modifiziert wurden.** Beschädigte oder modifizierte Akkus können sich unvorhersehbar verhalten und stellen ein Risiko von Feuer, Explosionen oder Verletzungen dar.
- f. Setzen Sie Akkus und Werkzeuge keinem Feuer oder extremen Temperaturen aus.** Die Belastung durch Feuer oder Temperaturen über 130 °C kann zur Explosion führen.
- g. Befolgen Sie alle Anweisungen zum Aufladen und laden Sie den Akku oder das Werkzeug nicht jenseits des in der Anleitung angegebenen Temperaturbereichs auf.** Das falsche Aufladen oder das Aufladen bei Temperaturen jenseits des angegebenen Bereichs kann den Akku beschädigen und das Brandrisiko erhöhen.
- 6. Service**
- a. Lassen Sie Ihr Elektrowerkzeug nur von qualifiziertem Fachpersonal und nur mit Original-Ersatzteilen reparieren.** Damit wird sichergestellt, dass die Sicherheit des Geräts erhalten bleibt.
- b. Führen Sie an beschädigten Akkus niemals Wartungsarbeiten durch.** Die Wartung von Akkupacks darf nur vom Hersteller selbst oder autorisierten Dienstleistern durchgeführt werden.
- Zusätzliche Sicherheitswarnungen für das Gerät**



**Warnung!** Zusätzliche Sicherheitswarnungen für Schraubendreher.

- ◆ **Halten Sie das Gerät an den isolierten Griffflächen fest, wenn Sie Arbeiten ausführen, bei denen verdeckte Kabel oder das eigene Gerätekabel beschädigt werden könnten.** Der Kontakt mit stromführenden Leitungen kann auch offen liegende Metallteile am Gerät unter Strom setzen und zu einem Stromschlag führen.
- ◆ **Tragen Sie bei der Arbeit mit Schlagschraubern einen Gehörschutz.** Lärm kann Gehörschäden verursachen.
- ◆ **Verwenden Sie die mitgelieferten Zusatzgriffe.** Der Verlust der Kontrolle kann Verletzungen verursachen.
- ◆ **Sichern Sie das Werkstück zum Beispiel mit Einspannvorrichtungen auf einer stabilen Plattform.** Das Werkstück ist instabil, wenn es mit der Hand oder dem Körper abgestützt wird, was zum Verlust der Kontrolle führen kann.
- ◆ **Bevor Sie Befestigungsgegenstände in Wänden, Fußböden oder Decken einsetzen, prüfen Sie diese Stellen auf dahinter liegende Kabel oder Rohre.**
- ◆ **Die bestimmungsgemäße Verwendung ist in dieser Betriebsanleitung beschrieben.**
- ◆ **Die Verwendung von Zubehör- oder Anbauteilen, die nicht in dieser Anleitung empfohlen werden, sowie die Bedienung des Geräts in Abweichung von den in dieser Anleitung beschriebenen Verfahren können zu Verletzungen und/oder Sachschäden führen.**

#### Sicherheitshinweise bei Verwendung langer Bohrerbits

- ◆ **Niemals mit einer höheren Drehzahl als der maximalen Drehzahl des Bohrers arbeiten.** Bei höheren Drehzahlen kann sich der Bohrer leicht verbiegen, wenn er sich frei drehen kann, ohne das Werkstück zu berühren, was zu Verletzungen führen kann.
- ◆ **Beginnen Sie beim Bohren immer mit niedriger Drehzahl und so, dass die Bohrer Spitze in Kontakt mit dem Werkstück ist.** Bei höheren Drehzahlen kann sich der Bohrer leicht verbiegen, wenn er sich frei drehen kann, ohne das Werkstück zu berühren, was zu Verletzungen führen kann.
- ◆ **Üben Sie Druck nur in direkter Linie mit dem Bohrerbit aus und üben Sie keinen übermäßigen Druck aus.** Bits können sich verbiegen, was zu einem Bruch oder Kontrollverlust und dadurch zu Verletzungen führen kann.

#### Sicherheit anderer Personen

- ◆ Dieses Werkzeug darf nicht von Personen (einschließlich Kindern) mit eingeschränkten physischen, sensorischen oder mentalen Fähigkeiten oder ohne ausreichende Erfahrung oder Kenntnisse verwendet werden, außer wenn diese Personen von einer Person, die für ihre Sicherheit verantwortlich ist, bei der Verwendung des Geräts beaufsichtigt oder mit ihm vertraut gemacht werden.

- ◆ Kinder müssen beaufsichtigt werden, um sicherzustellen, dass sie nicht mit dem Gerät spielen.

#### Restrisiken

Beim Gebrauch dieses Geräts verbleiben zusätzliche Restrisiken, die möglicherweise nicht in den Sicherheitswarnungen genannt werden. Diese Risiken bestehen beispielsweise bei Missbrauch oder längerem Gebrauch.

Auch bei der Einhaltung der entsprechenden Sicherheitsvorschriften und der Verwendung aller Sicherheitsgeräte bestehen weiterhin bestimmte Restrisiken. Diese sind:

- ◆ Verletzungen, die durch das Berühren von sich drehenden/bewegenden Teilen verursacht werden.
- ◆ Verletzungen, die durch das Austauschen von Teilen, Messern oder Zubehör verursacht werden.
- ◆ Verletzungen, die durch längeren Gebrauch eines Geräts verursacht werden. Legen Sie bei längerem Gebrauch regelmäßige Pausen ein.
- ◆ Beeinträchtigung des Gehörs.
- ◆ Gesundheitsrisiken durch das Einatmen von Staub beim Verwenden des Geräts (beispielsweise bei Holzarbeiten, insbesondere Eiche, Buche und MDF.)

#### Vibration

Die in den Abschnitten „Technische Daten“ und „EU-Konformitätserklärung“ angegebenen Werte für die Vibrationsemission wurden mit einer Standard-Prüfmethode nach EN62841 ermittelt und können zum Vergleich verschiedener Geräte herangezogen werden. Außerdem kann mit Hilfe dieses Werts die Belastung bei Verwendung des Geräts schon im Voraus eingeschätzt werden.

**Warnung!** Die bei Verwendung des Geräts auftretende Vibrationsemission hängt von der Art des Gerätegebrauchs ab und kann dementsprechend von dem angegebenen Wert abweichen. Gegebenenfalls kann die Vibration über dem angegebenen Wert liegen.

Für die Ermittlung der Vibrationsbelastung müssen die tatsächlichen Einsatzbedingungen und Verwendungen des Geräts während des gesamten Arbeitsgangs berücksichtigt werden, einschließlich der Zeiten, wenn das Gerät nicht verwendet oder im Leerlauf betrieben wird. Diese Werte werden benötigt, um die gemäß 2002/44/EG erforderlichen Sicherheitsmaßnahmen zum Schutz von Personen festlegen zu können.

#### Etiketten am Werkzeug

Folgende Piktogramme sowie der Datumscode befinden sich auf dem Werkzeug:



**Warnung!** Lesen Sie vor Gebrauch die Anleitung. Andernfalls besteht Verletzungsgefahr.



Blicken Sie nicht in die eingeschaltete Leuchte

## Zusätzliche Sicherheitshinweise für Akkus und Ladegeräte

### Akkus

- ◆ Keinesfalls versuchen, den Akku zu öffnen.
- ◆ Achten Sie darauf, dass der Akku nicht mit Wasser in Berührung kommt.
- ◆ Nicht bei Temperaturen über 40 °C lagern.
- ◆ Laden Sie den Akku nur bei Umgebungstemperaturen von 10 °C bis 40 °C auf.
- ◆ Beachten Sie zur Entsorgung von Akkus oder Batterien die Hinweise im Abschnitt „Umweltschutz“.



Versuchen Sie nie, beschädigte Akkus aufzuladen.

### Merkmale

Dieses Gerät verfügt über einige oder alle der folgenden Merkmale:

1. Ein-/Aus-Schalter
2. Vor-/Zurück-Wahlschalter
3. Bohrspitzenfutter
4. Ring/LED-Arbeitsleuchte
5. Innensechskantschlüssel
6. Ladeanschluss
7. USB-Stecker

### Laden des Akkus (Abb. A)

- ◆ Verbinden Sie den USB-Stecker (7a) mit dem Ladeanschluss (6).
- ◆ Stecken Sie den USB-Stecker (7b) in eine USB-Stromversorgung (nicht enthalten).
- ◆ Warten Sie bis zu 4 Stunden, bis der Akku vollständig aufgeladen ist.
- ◆ Die Ladestandsanzeige (6a) leuchtet während des Ladevorgangs.
- ◆ Nach Abschluss des Ladevorgangs geht die Ladestandsanzeige (6a) aus.

### Anbringen und Entfernen eines Innensechskantschlüssels (Abb. B, C)

**Warnung!** Achten Sie darauf, dass der Vor-/Zurück-Wahlschalter (2) in der gesperrten Stellung (mittlere Stellung) steht.

- ◆ Drehen Sie den Ring (4) gegen den Uhrzeigersinn, um das Bohrspitzenfutter (3) zu öffnen.
- ◆ Setzen Sie den Innensechskantschlüssel (5) in das Bohrspitzenfutter (3), bis er Kontakt mit der Magnetscheibe (3a) am Ende des Kanals hat, und achten Sie darauf, dass er mittig zum Futtergehäuse ist.
- ◆ Drehen Sie den Ring (4) im Uhrzeigersinn, bis der Innensechskantschlüssel (5) fest sitzt.
- ◆ Ein Clip am Erweiterungsring (3b) dient zur einfacheren Verwendung größerer Innensechskantschlüssel. Das Anbringen erfolgt wie in Abbildung C gezeigt.

**Warnung!** Nur so verwenden, dass das kurze Ende des Innensechskantschlüssels in dem Schlitz sitzt. Wenn der Innensechskantschlüssel aus dem Ring herausragt, kann es zu Verletzungen kommen.

### LED-Arbeitsleuchte (Abb. D)

Die LED-Arbeitsleuchte (4) wird beim Drücken des Ein-/Aus-Schalters (1) automatisch aktiviert. Die LED leuchtet auch auf, wenn der Auslöser gedrückt wird und der Vor-/Zurückwahlschalter (2) sich in der verriegelten (mittleren) Stellung befindet.

### Auswählen der Drehrichtung (Abb. E)

Verwenden Sie zum Bohren und Anziehen von Sechskantschrauben die Vorwärtsdrehung. Verwenden Sie zum Lösen von Sechskantschrauben die Rückwärtsdrehung.

- ◆ Drücken Sie den Vor-/Zurückwahlschalter (2) in die rechte Stellung, um die Vorwärtsdrehung einzustellen.
- ◆ Drücken Sie den Vor-/Zurückwahlschalter (2) in die linke Stellung, um die Rückwärtsdrehung einzustellen.
- ◆ Bewegen Sie den Vor-/Zurückwahlschalter in die mittlere Stellung, um das Gerät zu verriegeln.

### Befestigung

- ◆ Wählen Sie mithilfe des Vor-/Zurückwahlschalters (2) die Vorwärts- bzw. Rückwärtsdrehung aus.
- ◆ Drücken Sie zum Einschalten des Geräts den Ein-/Ausschalter (1).
- ◆ Lassen Sie zum Ausschalten des Geräts den Ein-/Ausschalter (1) los.

### Hinweise für optimale Arbeitsergebnisse

#### Schraubarbeiten

- ◆ Verwenden Sie stets Sechskanteinsätze der richtigen Art und Größe.
- ◆ Sollten beim Festziehen von Sechskanteinsätzen Schwierigkeiten auftreten, verwenden Sie etwas Spülmittel oder Seife als Schmiermittel.
- ◆ Halten Sie das Gerät und den Sechskanteinsatz stets in gerader Linie zur Sechskantschraube.

**Hinweis:** Zusammen mit diesem Gerät können auch Standard-Sechskanteinsätze verwendet werden.

## Wartung

Ihr BLACK+DECKER Gerät wurde im Hinblick auf eine lange Lebensdauer und einen möglichst geringen Wartungsaufwand entwickelt. Ein kontinuierlicher, zufriedenstellender Betrieb hängt von der richtigen Pflege des Gerätes und seiner regelmäßigen Reinigung ab.

**Warnung!** Ziehen Sie vor jeglichen Reinigungs- oder Wartungsarbeiten am Gerät den Netzstecker des Ladegeräts aus der Steckdose.

- ◆ Reinigen Sie das Motorgehäuse regelmäßig mit einem feuchten Tuch. Verwenden Sie keine scheuernden Reinigungsmittel oder Reinigungsmittel auf Lösungsmittelbasis.

## Umweltschutz



Getrennte Entsorgung. Produkte und Akkus mit diesem Symbol dürfen nicht mit dem normalen Hausmüll entsorgt werden.

Produkte und Akkus enthalten Materialien, die wiederverwertet werden können, um den Bedarf an Rohstoffen zu verringern. Bitte recyceln Sie elektrische Produkte und Akkus gemäß den örtlichen Bestimmungen. Weitere Informationen finden Sie auf [www.2helpU.com](http://www.2helpU.com)

## Technische Daten

		BCRTA01
Spannung	V <sub>DC</sub>	3,6
Leerlaufdrehzahl	min <sup>-1</sup>	180
Kippmoment	Nm	5,5
Max. Drehmoment	Nm	5,5
Bohrfutter	mm	6
Gewicht	kg	0,4

Akku		
Akkutyp		Li-Ionen
Ah (Nennwert)		1,5Ah

### Schalldruckpegel gemäß EN 62841:

Schalldruck (L<sub>pa</sub>) 57 dB(A), Unsicherheitsfaktor (K) 5 dB(A)

Schalleistung (L<sub>wa</sub>) 68 dB(A), Unsicherheitsfaktor (K) 5 dB(A)

### Gesamtvibration (Triax-Vektorsumme) gemäß EN 62841:

Schraubarbeiten ohne Schlagfunktion (a<sub>h</sub>) 0,5 m/s<sup>2</sup>, Unsicherheitsfaktor (K) 1,5 m/s<sup>2</sup>

## EU-Konformitätserklärung

MASCHINENRICHTLINIE



BCRTA01 Schraubendreher  
Black & Decker erklärt, dass die in den „Technischen Daten“ beschriebenen Geräte übereinstimmen mit:  
2006/42/EC, EN62841-1:2015, EN62841-2-1:2018.  
Diese Produkte entsprechen außerdem den Richtlinien 2014/30/EU und 2011/65/EU. Weitere Informationen erhalten Sie von Black & Decker unter der folgenden Adresse. Diese befindet sich auch auf der Rückseite dieser Anleitung.  
Der Unterzeichnete ist verantwortlich für die Zusammenstellung der technischen Daten und gibt diese Erklärung im Namen von Black & Decker ab.

Ed Higgins  
Director – Consumer Power Tools  
Black & Decker Europe, 270 Bath Road, Slough,  
Berkshire, SL1 4DX  
Vereinigtes Königreich  
17.02.2020

## Garantie

Black & Decker vertraut auf die Qualität der eigenen Geräte und bietet dem Käufer eine außergewöhnliche Garantie von 24 Monaten ab Kaufdatum. Diese Garantie versteht sich unbeschadet der gesetzlichen Gewährleistungsansprüche und schränkt diese keinesfalls ein. Diese Garantie gilt innerhalb der Staatsgebiete der Mitgliedstaaten der Europäischen Union und der Europäischen Freihandelszone.

Zur Inanspruchnahme dieser Garantie muss sie den allgemeinen Geschäftsbedingungen von Black & Decker entsprechen und dem Verkäufer bzw. der Vertragswerkstatt ist ein Kaufnachweis vorzulegen.

Die Bedingungen für die 2-jährige Garantie von Black & Decker und den Standort Ihrer nächstgelegenen Vertragswerkstatt finden Sie im Internet unter [www.2helpU.com](http://www.2helpU.com) oder indem Sie sich an die lokale Black & Decker-Niederlassung wenden, deren Adresse Sie in dieser Anleitung finden.

Ihr neues Black & Decker Produkt können Sie auf unserer Website unter [www.blackanddecker.de](http://www.blackanddecker.de) registrieren. Dort erhalten Sie auch Informationen über neue Produkte und Sonderangebote.

## Utilisation prévue

Votre tournevis BLACK+DECKER™ BCRTA01 a été conçu pour l'assemblage avec des clés à six pans. Cet outil est destiné à un usage grand public uniquement.

## Consignes de sécurité

### Avertissements de sécurité générale propres aux outils électriques



**Avertissement !** Veuillez à lire tous les avertissements sur la sécurité, toutes les instructions, toutes les illustrations et toutes les spécifications fournies avec cet outil électrique. Le non-respect de toutes les instructions listés ci-dessous peut entraîner des décharges électriques, des incendies et/ou de graves blessures.

### Conservez tous les avertissements et toutes les instructions afin de pouvoir vous y référer dans le futur.

Le terme "outil électrique" mentionné dans les avertissements fait référence à vos outils électriques branchés sur secteur (avec câble) ou fonctionnant sur pile ou batterie (sans fil).

#### 1. Sécurité de la zone de travail

- a. **Maintenez la zone de travail propre et bien éclairée.** Les zones sombres ou encombrées sont propices aux accidents.
- b. **N'utilisez pas d'outils électriques dans un environnement présentant des risques d'explosion ou en présence de liquides, gaz ou poussières inflammables.** Les outils électriques créent des étincelles qui peuvent enflammer les poussières et les fumées.
- c. **Maintenez les enfants et les autres personnes à l'écart quand vous utilisez un outil électrique.** Toute distraction peut vous faire perdre le contrôle de l'outil.

#### 2. Sécurité électrique

- a. **Les prises des outils électriques doivent correspondre à la prise de courant murale. Ne modifiez jamais la prise d'aucune sorte. N'utilisez aucun adaptateur avec des outils électriques reliés à la terre.** L'utilisation de prises d'origine et de prises murales appropriées permet de réduire le risque de décharge électrique.
- b. **Évitez tout contact physique avec des surfaces reliées à la terre comme des tuyaux, des radiateurs, des fours et des réfrigérateurs par exemple.** Il y a sinon un risque accru de décharge électrique si votre corps est lui-même relié à la terre.
- c. **N'exposez pas les outils électriques à la pluie, ni à l'humidité.** Le risque de décharge électrique augmente si de l'eau pénètre dans un outil électrique.

- d. **Ne tirez pas sur le cordon d'alimentation. N'utilisez jamais le cordon pour transporter, tirer ou débrancher l'outil électrique. Maintenez le cordon à l'écart de la chaleur, des substances grasses, des bords tranchants ou des pièces mobiles.** Les cordons endommagés ou emmêlés augmentent les risques de décharges électriques.
- e. **Si vous utilisez un outil électrique à l'extérieur, utilisez une rallonge homologuée pour les travaux en extérieur.** L'utilisation d'une rallonge électrique homologuée pour les travaux en extérieur réduit le risque de décharge électrique.
- f. **Si l'utilisation d'un outil électrique dans un endroit humide est inévitable, utilisez une alimentation électrique protégée par un disjoncteur différentiel à courant résiduel (DDR).** L'utilisation d'un DDR réduit le risque de décharge électrique.

#### 3. Sécurité des personnes

- a. **Restez vigilant, surveillez ce que vous faites et faites preuve de bon sens lorsque vous utilisez un outil électrique.**  
**N'utilisez pas d'outils électriques si vous êtes fatigué ou sous l'influence de drogue, d'alcool ou de médicaments.** Tout moment d'inattention pendant l'utilisation d'un outil électrique peut engendrer de graves blessures.
- b. **Portez des équipements de protection individuelle. Portez toujours une protection oculaire.** Les équipements de protection comme les masques à poussière, les chaussures de sécurité antidérapantes, les casques ou les protections auditives réduisent le risque de blessures s'ils sont utilisés à bon escient.
- c. **Empêchez tout démarrage intempestif. Assurez-vous que l'interrupteur est éteint avant de raccorder l'outil à l'alimentation électrique et/ou au bloc-batterie ou avant de ramasser ou de transporter l'outil.** Le fait de transporter les outils électriques le doigt sur l'interrupteur ou d'alimenter les outils électriques dont l'interrupteur est déjà en position de marche augmente le risque d'accidents.
- d. **Retirez toutes les clés ou pinces de réglage avant de mettre l'outil en marche.** Une clé ou une pince restée fixée sur une pièce rotative de l'outil électrique peut engendrer des blessures.
- e. **Ne vous penchez pas. Gardez les pieds bien ancrés au sol et conservez votre équilibre en permanence.** Cela permet de mieux maîtriser l'outil électrique en cas de situations imprévues.
- f. **Portez des vêtements appropriés. Ne portez aucuns vêtements amples, ni bijoux. Gardez vos cheveux, vos vêtements et vos gants à l'écart des pièces mobiles.**

Les vêtements amples, les bijoux ou les cheveux longs peuvent être happés par les pièces mobiles.

- g. **Si vous disposez de dispositifs pour le raccordement d'un extracteur de poussière ou d'installations pour la récupération, assurez-vous qu'ils sont correctement raccordés et utilisés.** L'utilisation de dispositifs récupérateurs de poussières réduit les risques liés aux poussières.
  - h. **Ne pensez pas être familiarisé avec l'outil après l'avoir utilisé à de nombreuses reprises, au point de ne plus rester vigilant et d'en oublier les consignes de sécurité.** Toute action imprudente peut engendrer de graves blessures en une fraction de seconde.
4. **Utiliser et entretenir un outil électrique**
    - a. **Respectez la capacité de l'outil. Utilisez un outil approprié, adapté au travail à réaliser.**  
Un outil adapté fonctionne mieux, de façon plus sûre et à la cadence pour laquelle il a été conçu.
    - b. **N'utilisez pas l'outil électrique si son interrupteur ne permet pas de l'allumer ou de l'éteindre.** Tout outil électrique qui ne peut plus être commandé par son interrupteur est dangereux et il doit être réparé.
    - c. **Débranchez la prise de la source d'alimentation et/ou retirez le bloc-batterie de l'outil électrique avant d'effectuer des réglages, de changer un accessoire ou de ranger les outils électriques.** Ces mesures de sécurité préventives réduisent le risque de démarrage accidentel de l'outil électrique.
    - d. **Rangez les outils électriques non utilisés hors de portée des enfants et ne laissez aucune personne ne connaissant pas ces outils ou leurs instructions d'utilisation les faire fonctionner.** Les outils électriques peuvent être dangereux entre des mains inexpérimentées.
    - e. **Entretenez vos outils électriques et leurs accessoires. Vérifiez que les pièces mobiles sont alignées correctement et qu'elles ne sont pas coincées. Vérifiez qu'aucune pièce n'est cassée et contrôlez l'absence de toute autre condition qui pourrait nuire au bon fonctionnement de l'outil. En cas de dommage, faites réparer l'outil électrique avant de le réutiliser.**  
De nombreux accidents sont provoqués par des outils électriques mal entretenus.
    - f. **Maintenez les organes de coupe affûtés et propres.**  
Des organes de coupe bien entretenus et dont le tranchant est affûté sont moins susceptibles de rester coincés et sont plus faciles à contrôler.
    - g. **Utilisez l'outil électrique, les accessoires et les embouts d'outils conformément à ces instructions, en tenant compte des conditions de travail et de la tâche à effectuer.**

L'utilisation d'un outil électrique à des fins autres que celles pour lesquelles il a été prévu engendre des situations dangereuses.

- h. **Veillez à ce que les poignées et les surfaces de préhension soient sèches et propres, sans trace d'huile ou de graisse.** Des poignées et des surfaces de préhension glissantes ne permettent pas de manipuler et de contrôler l'outil correctement en cas de situations inattendues.
5. **Utiliser et entretenir un outil fonctionnant sur batterie**
    - a. **N'effectuez la recharge qu'à l'aide du chargeur spécifié par le fabricant.** Un chargeur adapté pour un type de bloc-batterie peut engendrer un risque d'incendie s'il est utilisé avec un bloc-batterie différent.
    - b. **N'utilisez les outils électriques qu'avec les blocs-batteries qui leur sont dédiés.** L'utilisation d'autres blocs-batteries peut créer un risque de blessures et d'incendie.
    - c. **Lorsque le bloc-batterie n'est pas utilisé, éloignez-le des objets en métal comme les trombones, les pièces de monnaies, les clés, les clous, les vis ou d'autres petits objets métalliques qui pourraient créer un contact entre les deux bornes.** La mise en court-circuit des bornes d'une batterie peut provoquer des brûlures ou un incendie.
    - d. **Dans des conditions extrêmes, du liquide peut être éjecté de la batterie. Évitez tout contact avec ce liquide. En cas de contact accidentel, rincez à l'eau. En cas de contact avec les yeux, consultez en plus un médecin.** Le liquide sortant de la batterie peut provoquer des irritations ou des brûlures.
    - e. **N'utilisez pas un bloc-batterie ou un outil endommagé ou modifié.** Un bloc-batterie endommagé ou modifié peut avoir un comportement imprévisible qui peut entraîner un incendie, une explosion ou à un risque de blessure.
    - f. **N'exposez pas le bloc-batterie ou l'outil au feu ou à des températures excessives.** L'exposition au feu ou à des températures dépassant 130 °C peut provoquer une explosion.
    - g. **Respectez les instructions de charge et ne rechargez pas le bloc-batterie ou l'outil en dehors de la plage de températures spécifiée dans les instructions.** Une charge mal effectuée ou à des températures hors de la plage spécifiée peut endommager le bloc-batterie et augmenter le risque d'incendie.
  6. **Révision/Réparation**
    - a. **Ne faites réviser/réparer votre outil électrique que par un réparateur qualifié qui n'utilise que des pièces de recharge d'origine.** Cela permet de garantir la sûreté de l'outil électrique.
    - b. **Ne réparez jamais des blocs-batteries endommagés.**

Les réparations sur les blocs-batteries ne doivent être effectuées que par le fabricant ou l'un de ses prestataires de services agréés.

### Avertissement liés à la sécurité supplémentaires propres aux outils électriques



**Avertissement !** Avertissements liés à la sécurité supplémentaires propres aux tournevis.

- ◆ **Tenez l'outil électrique par ses surfaces de préhension isolées lorsque vous réalisez une opération au cours de laquelle les fixations pourraient entrer en contact avec des fils électriques cachés ou son propre cordon.** Tout contact d'une fixation avec un fil sous tension peut mettre les parties métalliques exposées de l'outil sous tension et provoquer une décharge électrique à l'utilisateur.
- ◆ **Portez des protections auditives pour utiliser des clés à chocs.** L'exposition au bruit peut provoquer la perte de l'ouïe.
- ◆ **Utilisez les poignées auxiliaires livrées avec l'outil.** La perte de contrôle peut provoquer des blessures.
- ◆ **Utilisez des pinces ou tout autre moyen pratique pour fixer et soutenir l'ouvrage sur une plateforme stable.** Tenir l'ouvrage à la main ou contre votre corps le rend instable et peut conduire à une perte de contrôle.
- ◆ **Avant de visser des fixations dans les murs, les planchers ou les plafonds, vérifiez l'emplacement des éventuels câbles et tuyaux.**
- ◆ **L'utilisation prévue est décrite dans ce manuel d'utilisation.**
- ◆ **L'utilisation d'un accessoire ou d'un équipement non recommandé et l'utilisation de cet appareil à d'autres fins que celles recommandées dans ce manuel d'utilisation peut entraîner des blessures et/ou des dommages matériels.**

### Consignes de sécurité pour l'utilisation de mèches longues

- ◆ **Ne faites jamais fonctionner l'outil à une vitesse supérieure à la vitesse nominale maximum de la mèche.** À grande vitesse, la mèche peut plier si elle tourne dans le vide, sans être en contact avec l'ouvrage et des blessures sont possibles.
- ◆ **Commencez toujours à percer à faible vitesse alors que la pointe de la mèche est en contact avec l'ouvrage.** À grande vitesse, la mèche peut plier si elle tourne dans le vide, sans être en contact avec l'ouvrage et des blessures sont possibles.
- ◆ **N'exercez qu'une faible pression en ligne directe avec la mèche.** Les mèches peuvent plier et casser et ainsi provoquer une perte de contrôle et des blessures.

### Sécurité des personnes

- ◆ Cet outil n'est pas prévu pour être utilisé par des personnes (y compris des enfants) aux capacités physiques, sensorielles ou intellectuelles réduites ou sans expérience ni connaissances, à moins qu'elles ne soient surveillées ou qu'elles n'aient été formées sur la façon d'utiliser l'appareil, par une personne responsable de leur sécurité.
- ◆ Les enfants doivent être surveillés afin de garantir qu'ils ne jouent pas avec l'appareil.

### Risques résiduels

Certains risques résiduels autres que ceux mentionnés dans les avertissements sur la sécurité peuvent survenir en utilisant l'outil. Ces risques peuvent être dus à une utilisation incorrecte, prolongée, etc. Malgré le respect de toutes les réglementations sur la sécurité pertinentes et la mise en œuvre de dispositifs de sécurité, certains risques résiduels ne peuvent pas être évités. Ils comprennent :

- ◆ Les blessures dues au contact avec des pièces rotatives/mobiles.
- ◆ Les blessures dues au remplacement de pièces, de lames ou d'accessoires.
- ◆ Les blessures dues à l'utilisation prolongée d'un outil. Lorsque vous utilisez un outil quel qu'il soit pendant de longues périodes, veillez à faire des pauses régulières.
- ◆ Les troubles de l'ouïe.
- ◆ Les risques pour la santé provoqués par l'inhalation des poussières générées pendant l'utilisation de votre outil (exemple : travail avec du bois, surtout le chêne, le hêtre et les panneaux en MDF).

### Vibrations

La valeur des émissions de vibrations déclarée dans les caractéristiques techniques et la déclaration de conformité a été mesurée conformément à la méthode de test normalisée établie par la norme EN62841 et elle peut être utilisée pour comparer un outil à un autre.

La valeur des vibrations émises déclarée peut aussi être utilisée pour une évaluation préliminaire à l'exposition.

**Avertissement !** En fonction de la manière dont l'outil est utilisé, la valeur réelle des vibrations émises pendant son utilisation peut différer de la valeur déclarée. Le niveau des vibrations peut dépasser le niveau déclaré.

Quand l'exposition aux vibrations est évaluée afin de déterminer les mesures de sécurité requises par la norme 2002/44/CE pour protéger les personnes utilisant régulièrement des outils électriques, cette estimation doit tenir compte des conditions réelles d'utilisation et de la façon dont l'outil est utilisé.

Il faut également tenir compte de toutes les composantes du cycle de fonctionnement comme la durée pendant laquelle l'outil est arrêté et quand il fonctionne au ralenti, ainsi que la durée du déclenchement.

### Étiquettes apposées sur l'outil

Les pictogrammes suivants ainsi que le code date sont apposés sur l'outil :



**Avertissement !** Afin de réduire le risque de blessures, l'utilisateur doit lire le manuel d'utilisation.



Ne regardez pas directement la lampe allumée

### Consignes de sécurité supplémentaires propres aux batteries et aux chargeurs

#### Batteries

- ◆ Ne tentez de les ouvrir sous aucun prétexte.
- ◆ N'exposez pas les batteries à l'eau.
- ◆ Ne les stockez pas dans des endroits où la température peut dépasser 40 °C.
- ◆ Ne les rechargez qu'à une température ambiante comprise entre 10 °C et 40 °C.
- ◆ Au moment de jeter les batteries, respectez les instructions mentionnées à la section "Protection de l'environnement".



N'essayez pas de recharger des batteries endommagées.

#### Caractéristiques

Cet outil dispose de tout ou partie des éléments suivants :

1. Interrupteur Marche/Arrêt
2. Curseur de sélection du sens de rotation avant/arrière
3. Mandrin porte-embout
4. Bague/Éclairage de travail à LED
5. Clé à six pans
6. Port de charge
7. Connecteur USB

#### Charger la batterie (Fig. A)

- ◆ Insérez le connecteur USB (7a) dans le port de charge (6).
- ◆ Branchez le connecteur USB (7b) dans une alimentation électrique USB (non fournie).
- ◆ Laissez l'outil branché au chargeur pendant 4 heures.
- ◆ Le témoin de charge (6a) est allumé pendant la charge.
- ◆ Le témoin de charge (6a) s'éteint, une fois l'outil complètement rechargé.

#### Installer et retirer une clé à six pans (Fig. B, C)

**Avertissement !** Veillez à ce que le curseur de sélection du sens de rotation (2) soit verrouillée en position Arrêt (position centrale).

- ◆ Tournez la bague (4) dans le sens inverse des aiguilles d'une montre pour ouvrir le mandrin porte-embout (3).
- ◆ Insérez la clé à six pans (5) dans le mandrin porte-embout (3) jusqu'à ce qu'elle touche le disque magnétique (3a) au fond du canal, en veillant qu'elle soit bien centrée par rapport au corps du mandrin.
- ◆ Serrez la bague (4) dans le sens des aiguilles d'une montre jusqu'à ce que la clé à six pans (5) soit correctement fixée.
- ◆ Une bague-rallonge (3b) à clipser est fournie pour faciliter la fixation des clés à six pans plus grosses. Installez-la comme illustré par la figure C.

**Avertissement !** N'utilisez cette bague-rallonge qu'en plaçant l'extrémité courte de la clé à six pans dans la fente. Des blessures sont possibles si la clé à six pans surplombe la bague

#### Éclairage de travail LED (Fig. D)

L'éclairage de travail (4) s'allume automatiquement lorsque l'interrupteur Marche/Arrêt (1) est enfoncé. La lampe LED s'allume aussi lorsque la gâchette est enfoncée et que le curseur de sélection du sens de rotation (2) est en position de déverrouillage (position centrale).

#### Sélectionner le sens de rotation (Fig. E)

Pour le perçage et pour le vissage de boulons à six pans, utilisez le sens de rotation avant. Pour le desserrage des boulons à six pans, utilisez le sens de rotation arrière.

- ◆ Pour sélectionner le sens de rotation avant, poussez le curseur de sélection du sens de rotation (2) vers la droite.
- ◆ Pour sélectionner le sens de rotation arrière, poussez le curseur de sélection du sens de rotation (2) vers la gauche.
- ◆ Pour verrouiller l'outil, placez le curseur de sélection du sens de rotation au centre.

#### Poser une fixation

- ◆ Sélectionnez le sens de rotation avant ou arrière à l'aide du curseur de sélection du sens de rotation (2).
- ◆ Pour mettre l'outil en marche, appuyez sur l'interrupteur Marche/Arrêt (1).
- ◆ Pour éteindre l'outil, relâchez l'interrupteur Marche/Arrêt (1).

#### Conseils pour une utilisation optimale

#### Vissage

- ◆ Veillez à toujours utiliser une clé à six pans du bon type et de la bonne taille.



- ◆ Si les boulons à six pans sont durs à serrer, essayez d'utiliser une petite quantité de liquide vaisselle ou de savon comme lubrifiant.
- ◆ Tenez toujours l'outil et la clé à six pans bien en ligne avec le boulon à six pans.

**Remarque :** Cet appareil accepte également les embouts de tournevis à six pans standard.

## Maintenance

Votre outil BLACK+DECKER a été conçu pour fonctionner pendant longtemps avec un minimum d'entretien. Le fonctionnement continu et satisfaisant de l'outil dépend de son bon entretien et de son nettoyage régulier.

**Avertissement !** Avant d'effectuer toute opération de nettoyage ou de maintenance sur l'outil, débranchez-le du chargeur.

- ◆ Nettoyez régulièrement le bloc-moteur à l'aide d'un chiffon humide. N'utilisez pas de détergents abrasifs ou à base de solvants.

## Protection de l'environnement



Tri sélectif. Les produits et piles/batteries marqués de ce symbole ne doivent pas être jetés avec les déchets ménagers.

Les produits et les piles/batteries contiennent des matières qui peuvent être récupérées et recyclées afin de réduire la demande en matières premières.

Veillez à recycler les produits électriques et les batteries/piles conformément aux prescriptions locales en vigueur. Pour plus d'informations, consultez le site [www.2helpU.com](http://www.2helpU.com)

## Caractéristiques techniques

		BCRTA01
Tension	V <sub>cc</sub>	3,6
Vitesse à vide	min <sup>-1</sup>	180
Couple statique	Nm	5,5
Couple maxi	Nm	5,5
Mandrin	mm	6
Poids	kg	0,4

Batterie		
Type de batterie		Li-Ion
Intensité Ah		1,5Ah

Niveau de pression sonore selon la norme EN 62841 :	
Pression sonore (L <sub>wa</sub> )	57 dB(A), incertitude (K) 5 dB(A)
Puissance sonore (L <sub>wa</sub> )	68 dB(A), incertitude (K) 5 dB(A)

Valeurs totales des vibrations (somme vectorielle triaxiale) selon la norme EN 62841 :

Vissage sans chocs (a<sub>v</sub>) 0,5 m/s<sup>2</sup>, incertitude (K) 1,5 m/s<sup>2</sup>

## Déclaration de conformité CE

DIRECTIVES MACHINES



Tournevis BCRTA01

Black & Decker déclare que les produits décrits dans les "Caractéristiques techniques" sont conformes aux normes : 2006/42/CE, EN62841-1:2015, EN62841-2:2018.

Ces produits sont également conformes aux directives 2014/30/UE et 2011/65/UE. Pour plus de précisions, veuillez contacter Black & Decker à l'adresse qui suit ou consulter la dernière page du présent manuel.

Le soussigné est responsable de la compilation du dossier technique et il fait cette déclaration au nom de Black & Decker.

Ed Higgins

Directeur – Outils électriques grand public  
Black & Decker Europe, 270 Bath Road, Slough,  
Berkshire, SL1 4DX  
Royaume-Uni  
17/02/2020

## Garantie

Black & Decker est sûr de la qualité de ses produits et offre une garantie de 24 mois aux utilisateurs, à partir de la date d'achat. Cette garantie s'ajoute à vos droits légaux auxquels elle ne porte aucunement préjudice. Cette garantie est valable au sein des territoires des États membres de l'Union européenne et au sein de la Zone européenne de libre-échange.

Pour prétendre à la garantie, la réclamation doit être en conformité avec les conditions générales de Black & Decker et vous devez fournir une preuve d'achat au vendeur ou au réparateur agréé.

Les conditions générales de la garantie de 2 ans Black & Decker ainsi que l'adresse du réparateur agréé le plus proche sont disponibles sur le site Internet [www.2helpU.com](http://www.2helpU.com) ou en contactant votre agence Black & Decker locale à l'adresse indiquée dans ce manuel.

Veillez consulter notre site Internet [www.blackanddecker.co.uk](http://www.blackanddecker.co.uk) pour enregistrer votre nouveau produit Black & Decker et pour être tenu informé des nouveaux produits et offres spéciales.

## Uso previsto

Il Trapano-avvitatore BLACK DECKER™ BCRTA01 è stato progettato per applicazioni di assemblaggio con brugole. Questo utensile è destinato esclusivamente all'uso privato.

## Istruzioni di sicurezza

### Avvertenze di sicurezza generali per gli elettroutensili



**Avvertenza! Leggere attentamente tutte le avvertenze, istruzioni, illustrazioni e specifiche fornite con l'elettroutensile.** La mancata osservanza delle istruzioni seguenti può dar luogo a scosse elettriche, incendi e/o lesioni gravi.

**Conservare tutte le avvertenze e le istruzioni per riferimenti futuri.** Il termine "elettroutensile" che ricorre in tutti gli avvisi seguenti si riferisce a utensili elettrici alimentati dalla rete (con filo) o a batteria (senza filo).

#### 1. Sicurezza dell'area di lavoro

- Mantenere pulita e bene illuminata l'area di lavoro.** Gli ambienti disordinati o scarsamente illuminati favoriscono gli incidenti.
- Evitare di usare gli elettroutensili in ambienti esposti a rischio di esplosione, ad esempio in presenza di liquidi, gas o polveri infiammabili.** Gli elettroutensili generano scintille che possono incendiare le polveri o i fumi.
- Durante l'uso di un elettroutensile, tenere lontani i bambini e le altre persone presenti.** Eventuali distrazioni possono provocare la perdita di controllo.

#### 2. Sicurezza elettrica

- Le spine dell'elettroutensile devono essere adatte alla presa di corrente. Non modificare la spina in alcun modo. Non utilizzare spine con adattatore con un elettroutensile dotato di messa a terra.** Per ridurre il rischio di scossa elettrica evitare di modificare le spine e utilizzare sempre le prese di corrente appropriate.
- Evitare il contatto fisico con superfici collegate a terra, come tubi, radiatori, forni e frigoriferi.** Se il corpo dell'utilizzatore è collegato a terra, il rischio di scossa elettrica aumenta.
- Non esporre gli elettroutensili alla pioggia o all'umidità.** Se dovesse penetrare dell'acqua all'interno dell'elettroutensile, il rischio di scossa elettrica aumenta.
- Non utilizzare il cavo di alimentazione in modo improprio. Non spostare, tirare o scollegare mai l'elettroutensile tirandolo dal cavo. Tenere il cavo di alimentazione lontano da fonti di calore, olio, bordi taglienti o parti in movimento.**

Se il cavo di alimentazione è danneggiato o impigliato, il rischio di scossa elettrica aumenta.

- Se l'elettroutensile viene utilizzato all'aperto, usare esclusivamente prolunghe omologate per l'impiego all'esterno.** L'uso di un cavo di alimentazione idoneo per esterni riduce il rischio di scossa elettrica.
  - Se non è possibile evitare di utilizzare un elettroutensile in una zona umida, collegarsi a una rete elettrica protetta da un interruttore differenziale salvavita (RCD).** L'uso di un RCD salvavita riduce il rischio di scossa elettrica.
- ### 3. Sicurezza personale
- È importante concentrarsi su ciò che si sta facendo e maneggiare con giudizio l'elettroutensile. Non utilizzare l'elettroutensile quando si è stanchi o sotto l'effetto di sostanze stupefacenti, alcool o medicinali.** Un solo attimo di distrazione durante l'uso dell'elettroutensile potrebbe provocare gravi lesioni alle persone.
  - Indossare dispositivi di protezione individuale. Indossare sempre occhiali di sicurezza.** L'uso di dispositivi di protezione, quali mascherine antipolvere, scarpe antinfortunistiche antiscivolo, elmetti di sicurezza o protezioni per l'udito, in condizioni opportune consente di ridurre le lesioni personali.
  - Prevenire l'avviamento involontario. Accertarsi che l'interruttore sia nella posizione di spegnimento, prima di collegare l'elettroutensile alla rete elettrica e/o alla batteria, di prenderlo in mano o di trasportarlo.** Per non esporsi al rischio di incidenti, non trasportare l'elettroutensile tenendo le dita sull'interruttore e non collegarlo a una fonte di alimentazione elettrica con l'interruttore in posizione di accensione.
  - Prima di accendere l'elettroutensile, rimuovere eventuali chiavi o utensili di regolazione.** Un utensile di regolazione o una chiave fissati a una parte rotante dell'elettroutensile possono provocare lesioni personali.
  - Non sbilanciarsi. Mantenere sempre un appoggio e un equilibrio adeguati.** Ciò consente un migliore controllo dell'elettroutensile nelle situazioni impreviste.
  - Vestirsi adeguatamente. Non indossare abiti larghi o gioielli. Tenere i capelli, gli indumenti e i guanti lontano dalle parti mobili.** Abiti larghi, gioielli o capelli lunghi possono impigliarsi nelle parti in movimento.
  - Se gli elettroutensili sono provvisti di attacchi per il collegamento di dispositivi di aspirazione o di raccolta della polvere, assicurarsi che questi ultimi siano installati e utilizzati correttamente.** L'impiego di dispositivi per la raccolta delle polveri può ridurre i pericoli legati alle stesse.

- h. Non lasciare che la familiarità acquisita dall'uso frequente degli elettrodomestici induca a cedere alla tentazione di ignorare i principi di utilizzo sicuro degli stessi.** Un'azione imprudente potrebbe provocare lesioni personali gravi in una frazione di secondo.
- 4. Uso e cura dell'elettrodomestico**
- a. Non forzare l'elettrodomestico. Utilizzare un elettrodomestico adatto al lavoro da eseguire.**  
L'elettrodomestico corretto funziona meglio e in modo più sicuro, se utilizzato alla velocità per cui è stato progettato.
- b. Non usare l'elettrodomestico se l'interruttore di accensione/spengimento non funziona.** Qualsiasi elettrodomestico che non possa essere controllato tramite l'interruttore è pericoloso e deve essere riparato.
- c. Scollegare la spina dalla presa di corrente e/o il pacco batteria dall'elettrodomestico, prima di effettuare qualsiasi tipo di regolazione, cambiare gli accessori o riparlo.** Queste misure di sicurezza preventive riducono il rischio di azionare accidentalmente l'elettrodomestico.
- d. Quando non vengono usati, gli elettrodomestici devono essere custoditi fuori dalla portata dei bambini. Non consentire l'uso dell'elettrodomestico a persone inesperte o che non abbiano letto le presenti istruzioni d'uso.** Gli elettrodomestici sono pericolosi in mano a persone inesperte.
- e. Eseguire la manutenzione degli elettrodomestici e degli accessori. Verificare che le parti mobili siano correttamente allineate e non inceppate, che non vi siano componenti rotti e che non sussistano altre condizioni che possono compromettere il funzionamento dell'elettrodomestico. Se l'elettrodomestico è danneggiato, farlo riparare prima dell'uso.** Molti incidenti sono provocati da elettrodomestici non sottoposti a una corretta manutenzione.
- f. Mantenere affilati e puliti gli utensili da taglio.** La manutenzione corretta degli utensili da taglio con bordi affilati riduce le probabilità di inceppamento e ne facilita il controllo.
- g. Utilizzare l'elettrodomestico, gli accessori, le punte, ecc. in conformità alle presenti istruzioni, tenendo conto delle condizioni operative e del lavoro da eseguire.** L'utilizzo dell'elettrodomestico per impieghi diversi da quelli previsti può dare luogo a situazioni di pericolo.
- h. Mantenere le impugnature e le superfici di presa asciutte, pulite e senza tracce di olio o grasso.** Impugnature e superfici di presa scivolose non consentono di maneggiare e controllare in modo sicuro l'elettrodomestico nel caso di imprevisti.
- 5. Uso e cura della batteria dell'elettrodomestico**
- a. Ricaricare la batteria dell'elettrodomestico esclusivamente con il caricabatterie specificato dal produttore.** Un caricabatterie adatto a un determinato tipo di pacco batteria può provocare il rischio di incendio se utilizzato con un pacco batteria diverso.
- b. Usare gli elettrodomestici esclusivamente con i pacchi batteria specificamente progettati per gli stessi.** L'impiego di pacchi batteria di tipo diverso potrebbe comportare il rischio di lesioni alle persone e incendio.
- c. Quando il pacco batteria non viene usato tenerlo lontano da altri oggetti metallici tipo graffette, monete, chiavi, chiodi, viti o altri oggetti metallici di piccole dimensioni, che potrebbero cortocircuitare un morsetto con l'altro.** Se i morsetti della batteria vengono cortocircuitati potrebbero provocare ustioni o un incendio.
- d. In condizioni di uso improprio, dalla batteria potrebbe fuoriuscire del liquido; evitare di toccarlo. In caso di contatto accidentale, sciacquare la pelle con abbondante acqua. Se il liquido dovesse entrare a contatto con gli occhi, rivolgersi anche a un medico.** Il liquido che fuoriesce dalla batteria può causare irritazioni o ustioni.
- e. Non utilizzare un pacco batteria o un elettrodomestico se danneggiati o modificati.** Le batterie danneggiate o modificate potrebbero manifestare un comportamento imprevedibile, con la possibilità di causare un'esplosione o un incendio.
- f. Non esporre una batteria o un elettrodomestico al fuoco o a temperature elevate.** L'esposizione al fuoco o a una temperatura superiore a 130 °C potrebbe provocare un'esplosione.
- g. Seguire tutte le istruzioni per il caricamento e non caricare il pacco batteria o l'elettrodomestico a una temperatura che non rientri nell'intervallo di valori specificato nelle istruzioni.** Una carica effettuata in maniera scorretta o a una temperatura che non rientra nell'intervallo di valori specificato, potrebbe danneggiare la batteria aumentando il rischio d'incendio.
- 6. Assistenza**
- a. Fare riparare l'elettrodomestico esclusivamente da personale specializzato e solo utilizzando pezzi di ricambio originali.** In questo modo viene garantita la sicurezza dell'elettrodomestico.
- b. Non riparare i pacchi batteria danneggiati.** Gli interventi di riparazione sui pacchi batteria devono essere eseguiti dal produttore o da fornitori di assistenza autorizzati.

#### Avvertenze di sicurezza aggiuntive per gli elettrodomestici



**Avvertenza!** Ulteriori avvertenze di sicurezza valide per gli avvitatori.

- ◆ **Tenere l'elettrotensile afferrandone l'impugnatura provvista di materiale isolante se vi è la possibilità che l'avvitatore possa venire a contatto di cavi nascosti o del filo di alimentazione.** I dispositivi di fissaggio che vengono a contatto con un cavo sotto tensione trasmettono la corrente elettrica anche alle parti metalliche esposte del trapano-avvitatore e possono provocare la folgorazione dell'operatore.
- ◆ **Indossare protezioni acustiche quanto si effettuano lavori con i trapani avvitatori a impulsi.** L'esposizione al rumore può causare la perdita dell'udito.
- ◆ **Usare le impugnature ausiliarie di cui è provvisto l'elettrotensile.** La perdita di controllo può causare lesioni a persone.
- ◆ **Usare morse o altri metodi pratici per fissare e bloccare il pezzo in lavorazione a una piattaforma stabile.** Tenere il pezzo in lavorazione con le mani o contro il corpo non ne assicura la stabilità e potrebbe comportare la perdita di controllo dell'elettrotensile.
- ◆ **Prima di avvitare dispositivi di fissaggio in pareti, pavimenti o soffitti, controllare l'ubicazione di cavi elettrici e tubazioni.**
- ◆ **L'uso previsto è indicato in questo manuale di istruzioni.**
- ◆ **Se questo elettrotensile viene usato con accessori e dotazioni o per usi diversi da quelli raccomandati in questo manuale, si potrebbero verificare lesioni alle persone e/o danni alle cose.**

#### Istruzioni di sicurezza durante l'utilizzo di punte lunghe

- ◆ **Non far funzionare mai a una velocità superiore alla velocità nominale massima della punta del trapano.** A velocità più elevate, è probabile che la punta si pieghi se lasciata ruotare liberamente senza toccare il pezzo in lavorazione, causando lesioni personali.
- ◆ **Iniziare sempre a trapanare a bassa velocità e con la punta a contatto con il pezzo in lavorazione.** A velocità più elevate, è probabile che la punta si pieghi se lasciata ruotare liberamente senza toccare il pezzo in lavorazione, causando lesioni personali.
- ◆ **Applicare pressione solo in linea diretta con la punta e non applicare una pressione eccessiva.** Le punte possono piegarsi causando la rottura o la perdita del controllo, con conseguenti lesioni personali.

#### Sicurezza altrui

- ◆ Questo elettrotensile non è destinato all'uso da parte di persone (compresi i bambini) con capacità fisiche, sensoriali o mentali ridotte, o prive di esperienza e conoscenze, salvo che siano sorvegliati o ricevano opportune istruzioni riguardo all'uso dell'elettrotensile da parte di una persona responsabile della loro sicurezza.

- ◆ I bambini devono essere sorvegliati per assicurarsi che non giochino con l'elettrotensile.

#### Rischi residui

L'utilizzo dell'elettrotensile può comportare rischi residui non necessariamente riportati nelle presenti avvertenze di sicurezza. Tali rischi possono sorgere a seguito di un uso prolungato o improprio, ecc.

Malgrado il rispetto delle norme di sicurezza pertinenti e l'implementazione di dispositivi di sicurezza, alcuni rischi residui non possono essere evitati. Tali rischi includono:

- ◆ lesioni causate o subite a seguito del contatto con parti rotanti/in movimento;
- ◆ lesioni causate o subite durante la sostituzione di parti, lame o accessori.
- ◆ lesioni causate dall'impiego prolungato di un apparecchio (quando si utilizza qualsiasi elettrotensile per lunghi periodi, accertarsi di fare regolarmente delle pause);
- ◆ menomazioni uditive.
- ◆ rischi per la salute causati dall'aspirazione di polvere generata dall'utilizzo dell'elettrotensile (ad esempio, quando si lavora con il legno, in modo particolare quello di quercia, faggio o l'MDF).

#### Vibrazione

I valori delle emissioni di vibrazioni dichiarati, indicati al paragrafo Dati tecnici e nella dichiarazione di conformità, sono stati misurati in base al metodo di prova standard previsto dalla normativa EN62841 e possono essere usati come parametri di confronto tra due utensili.

Il valore di emissione di vibrazione dichiarato può anche essere usato per una valutazione preliminare dell'esposizione.

**Avvertenza!** Il valore di emissione di vibrazione durante l'impiego effettivo dell'elettrotensile può variare da quello dichiarato a seconda delle modalità d'uso. Il livello di vibrazione può aumentare oltre quello dichiarato.

Quando si valuta l'esposizione a vibrazione per determinare le misure di sicurezza richieste dalla Direttiva 2002/44/CE destinata alla protezione delle persone che utilizzano regolarmente elettrotensili per lo svolgimento delle proprie mansioni, è necessario prendere in considerazione le condizioni effettive di utilizzo e il modo in cui l'elettrotensile viene usato, oltre che tenere conto di tutte le componenti del ciclo operativo, vale a dire i periodi in cui l'elettrotensile rimane spento, quelli in cui è acceso ma fermo e quelli in cui viene effettivamente utilizzato.

#### Etichette sull'elettrotensile

Sull'elettrotensile compaiono i seguenti pittogrammi, insieme al codice data:



**Avvertenza!** Per ridurre il rischio di lesioni personali, leggere attentamente il manuale di istruzioni.



Non fissare la spia di funzionamento

## Istruzioni di sicurezza aggiuntive per batterie e caricabatterie

### Batterie

- ◆ Non tentare mai di aprire una batteria per alcun motivo.
- ◆ Non lasciare che le batterie si bagnino.
- ◆ Non conservare in luoghi in cui la temperatura potrebbe superare 40 °C.
- ◆ Caricare le batterie solo a temperature ambientali comprese tra 10 °C e 40 °C.
- ◆ Per lo smaltimento delle batterie, seguire le istruzioni fornite alla sezione "Tutela ambientale".



Non tentare di caricare batterie danneggiate.

### Caratteristiche

Questo elettrotensile presenta alcune o tutte le seguenti caratteristiche:

1. Interruttore di accensione/spengimento
2. Corsore di controllo del senso di rotazione
3. Mandrino portapunte
4. Collare/Luce di lavoro a LED
5. Brugola
6. Presa di carica
7. Connettore USB

### Carica della batteria (Fig. A)

- ◆ Inserire il connettore USB (7a) nella presa di carica (6).
- ◆ Collegare il connettore USB (7b) all'alimentatore USB (non incluso).
- ◆ Lasciare il trapano-avvitatore collegato al caricabatterie per 4 ore.
- ◆ Durante la carica la spia di carica in corso (6a) si accende.
- ◆ Una volta completata la carica la spia di carica in corso (6a) si spegne.

### Montaggio e smontaggio della brugola (Figg. B e C)

**Avvertenza!** Assicurarsi che il cursore di controllo del senso di rotazione (2) sia nella posizione di blocco (posizione centrale).

- ◆ Ruotare il collare (4) in senso antiorario per aprire il mandrino portapunte (3).

- ◆ Inserire la brugola (5) nel mandrino portapunte (3) finché tocca il disco magnetico (3a) alla fine del canale, assicurandosi che sia in posizione centrale rispetto al corpo del mandrino.
- ◆ Stringere il collare (4) ruotandolo in senso orario, finché la brugola (5) sarà ben fissata.
- ◆ Sul collare di prolunga (3b) è presente una clip per agevolare l'inserimento delle brugole più grandi. Montare come illustrato nella Figura C.

**Avvertenza!** Utilizzare solo con l'estremità corta della brugola inserita nella fessura. Se la brugola sporge dal collare possono verificarsi lesioni personali.

### Luce di lavoro a LED (Fig. D)

La luce di lavoro a LED (4) viene attivata automaticamente quando si preme l'interruttore di accensione/spengimento (1). Il LED si accende anche quando viene premuto il grilletto di azionamento e il cursore di controllo del senso di rotazione (2) si trova nella posizione di blocco (posizione centrale).

### Selezione della direzione di rotazione (Fig. E)

Per la eseguire fori e per l'avvitatura di bulloni esagonali usare la rotazione in senso orario. Per allentare bulloni esagonali, usare la rotazione in senso antiorario.

- ◆ Per selezionare la rotazione in senso orario, spingere avanti il cursore di controllo del senso di rotazione (2).
- ◆ Per selezionare la rotazione in senso antiorario, spingere indietro il cursore (2).
- ◆ Per bloccare l'elettrotensile, spostare il cursore di controllo del senso di rotazione nella posizione centrale.

### Fissaggio

- ◆ Selezionare la rotazione in senso orario/antiorario usando il cursore del senso di rotazione (2).
- ◆ Per accendere l'elettrotensile, premere l'interruttore di accensione/spengimento (1).
- ◆ Per spegnere l'elettrotensile, rilasciare l'interruttore di accensione/spengimento (1).

### Consigli per un utilizzo ottimale

#### Avvitatura

- ◆ Usare sempre la brugola del tipo e della misura corretti.
- ◆ Se i bulloni esagonali sono difficili da stringere, provare ad applicarvi sopra una piccola quantità di detersivo o sapone liquido per lubrificarli.
- ◆ Tenere sempre il trapano-avvitatore e la brugola in posizione perpendicolare rispetto al bullone esagonale.

**Nota:** questo trapano-avvitatore accetta anche le punte standard.

## Manutenzione

Questo elettrotensile BLACK+DECKER è stato progettato per funzionare a lungo con una manutenzione minima. Prestazioni sempre soddisfacenti dipendono da una cura appropriata e da una pulizia regolare.

**Avvertenza!** Prima di eseguire qualsiasi intervento di pulizia o manutenzione sull'elettrotensile, scollegare il caricabatterie dalla presa di corrente.

- ◆ Pulire regolarmente il vano del motore con un panno umido. Non usare materiali abrasivi o detergenti a base di solventi.

## Tutela ambientale



Raccolta differenziata. I prodotti e le batterie contrassegnati con questo simbolo non devono essere smaltiti con i rifiuti domestici normali.

Prodotti e batterie contengono materiali che possono essere recuperati o riciclati, riducendo la domanda di materie prime. Riciclare i prodotti elettrici e le batterie attenendosi alle disposizioni locali vigenti. Ulteriori informazioni sono disponibili all'indirizzo [www.2helpU.com](http://www.2helpU.com).

## Dati tecnici

		BCRTA01
Tensione	V <sub>DC</sub>	3,6
Velocità a vuoto	min <sup>-1</sup>	180
Coppia di stallo	Nm	5,5
Coppia max.	Nm	5,5
Mandrino	mm	6
Peso	kg	0,4

Batteria		
Tipo di batteria		Agli ioni di litio
Valore nominale Ah		1,5 Ah

Livello di pressione sonora misurato in conformità alla norma EN 62841:	
Pressione sonora (L <sub>pa</sub> )	57 dB(A), incertezza (K) 5 dB(A)
Potenza sonora (L <sub>wa</sub> )	68 dB(A), incertezza (K) 5 dB(A)

Valori totali di emissione di vibrazione (somma vettore triassiale) in conformità alla norma EN 62841:	
Avvitatura senza funzione a impulsi (a <sub>h</sub> )	0,5 m/s <sup>2</sup> , incertezza (K) 1.5 m/s <sup>2</sup>

## Dichiarazione di conformità CE

DIRETTIVA MACCHINE



Trapano-avvitatore BCRTA01

Black & Decker dichiara che i prodotti descritti al paragrafo

“Dati tecnici” sono conformi alle seguenti normative:

2006/42/EC, EN62841-1:2015, EN62841-2-1:2018.

Questi prodotti sono conformi alla Direttive 2014/30/UE e 2011/65/UE. Per ulteriori informazioni contattare Black & Decker al seguente indirizzo oppure consultare l'ultima di copertina del manuale.

Il sottoscritto è responsabile della redazione di questo documento tecnico e rilascia questa dichiarazione per conto di Black&Decker.

Ed Higgins

Direttore – Consumer Power Tools  
Black & Decker Europe, 270 Bath Road, Slough,  
Berkshire, SL1 4DX  
Regno Unito  
17/02/2020

## Garanzia

Black & Decker è certa della qualità dei propri prodotti e offre ai consumatori una garanzia di 24 mesi dalla data di acquisto. Il presente certificato di garanzia è complementare ai diritti legali e non li pregiudica in alcun modo. La garanzia è valida nei territori degli Stati membri dell'Unione Europea o dell'EFTA (Associazione europea di libero scambio).

Per attivare la garanzia, la richiesta di intervento e riparazione in garanzia deve essere effettuata in accordo con i Termini e condizioni Black&Decker e sarà necessario presentare la prova di acquisto al venditore o all'agente di riparazione autorizzato.

I Termini e condizioni della garanzia Black & Decker di 2 anni e la sede del tecnico riparatore autorizzato più vicino sono consultabili su Internet all'indirizzo [www.2helpU.com](http://www.2helpU.com), o contattando il proprio ufficio Black & Decker di zona all'indirizzo indicato in questo manuale. Visitare il nostro sito [www.blackanddecker.it](http://www.blackanddecker.it) per registrare il prodotto Black&Decker appena acquistato e ricevere gli aggiornamenti su nuovi prodotti e offerte speciali.

## Bedoeld gebruik

Uw BLACK+DECKER™ BCRTA01 schroefmachine is ontworpen voor gebruik met inbussleutels. Dit gereedschap is uitsluitend bestemd voor consumentengebruik.

## Veiligheidsinstructies

### Algemene veiligheidswaarschuwingen voor elektrisch gereedschap



**Waarschuwing! Lees alle veiligheidswaarschuwingen, instructies, illustraties en specificaties die bij dit gereedschap zijn meegeleverd.** Het niet opvolgen van alle onderstaande instructies kan leiden tot een elektrische schok, brand en/of ernstig persoonlijk letsel.

**Bewaar alle waarschuwingen en instructies als referentiemateriaal.** Het in de waarschuwingen gebruikte begrip 'elektrisch gereedschap' heeft betrekking op elektrische gereedschappen voor gebruik op de netspanning (met netsnoer) of op accu (snoerloos).

#### 1. Veilige werkomgeving

- a. **Houd uw werkomgeving schoon en goed verlicht.** Op rommelige of donkere plekken zullen sneller ongelukken gebeuren.
- b. **Werk niet met elektrisch gereedschap in een omgeving met explosiegevaar, zoals in de nabijheid van brandbare vloeistoffen, gassen of stof.** Elektrisch gereedschap veroorzaakt vonken die het stof of de dampen kunnen doen ontbranden.
- c. **Houd kinderen en omstanders tijdens het gebruik van elektrisch gereedschap op afstand.** Als u wordt afgeleid, kunt u de controle over het gereedschap verliezen.

#### 2. Elektrische veiligheid

- a. **De netstekker van het elektrisch gereedschap moet in het stopcontact passen. Pas de stekker nooit op enige manier aan. Gebruik geen adapterstekkers in combinatie met geaard elektrisch gereedschap.** Niet-aangepaste stekkers en passende contactdozen verminderen het risico van een elektrische schok.
- b. **Vermijd aanraking van het lichaam met geaarde oppervlakken, bijvoorbeeld buizen, verwarmingen, fornuizen en koelkasten.** Er bestaat een verhoogd risico van een elektrische schok als uw lichaam contact heeft met aarde.
- c. **Stel elektrisch gereedschap niet bloot aan regen en vocht.** Als er water in een elektrisch gereedschap dringt, verhoogt dit het risico van een elektrische schok.
- d. **Behandel het snoer voorzichtig.**

**Gebruik het snoer nooit om het elektrisch gereedschap te dragen of naar u toe te trekken, of de stekker uit het stopcontact te halen. Houd het snoer uit de buurt van warmtebronnen, olie, scherpe randen, of bewegende onderdelen.** Beschadigde snoeren of snoeren die in de war zijn geraakt, verhogen het risico van een elektrische schok.

- e. **Gebruik, wanneer u buitenshuis met elektrisch gereedschap werkt, alleen verlengsnoeren die zijn goedgekeurd voor gebruik buitenshuis.** Het gebruik van een verlengsnoer dat geschikt is voor buiten vermindert het risico van een elektrische schok.
  - f. **Als u met elektrisch gereedschap werkt op een vochtige locatie, gebruik dan een aardlekschakelaar (RCD).** Het gebruik van een aardlekschakelaar vermindert het risico van een elektrische schok.
- #### 3. Persoonlijke veiligheid
- a. **Blijf alert, let goed op wat u doet en ga met verstand te werk bij het gebruik van elektrisch gereedschap. Gebruik elektrisch gereedschap niet als u vermoeid bent of als u onder invloed van drugs, alcohol of medicatie bent.** Een moment van onoplettendheid tijdens het werken met elektrisch gereedschap kan leiden tot ernstig persoonlijk letsel.
  - b. **Draag persoonlijke beschermende uitrusting. Draag altijd oogbescherming.** Beschermende uitrusting, zoals een stofmasker, antislip veiligheidsschoenen, een helm, of gehoorbescherming, gebruikt in de juiste omstandigheden, zal het risico op persoonlijk letsel verminderen.
  - c. **Voorkom per ongeluk inschakelen. Controleer, voor u de stekker in het stopcontact steekt en/of de accu plaatst, en voor u het gereedschap oppakt en draagt, dat de schakelaar in de uit-stand staat.** Het dragen van elektrisch gereedschap met uw vinger op de schakelaar of het aanzetten van elektrisch gereedschap waarvan de schakelaar aan staat, kan leiden tot ongelukken.
  - d. **Verwijder stelsleutels of steeksleutels voordat u het elektrisch gereedschap inschakelt.** Een steeksleutel of een inbussleutel in een draaiend deel van het elektrisch gereedschap kan tot persoonlijk letsel leiden.
  - e. **Reik niet buiten uw macht. Blijf altijd stevig en in balans op de grond staan.** Dit geeft u betere controle over het elektrisch gereedschap in onverwachte situaties.
  - f. **Draag geschikte kleding. Draag geen loszittende kleding of sieraden. Houd uw haar, kleding en handschoenen uit de buurt van bewegende onderdelen.** Loszittende kleding, sieraden of lang haar kunnen door bewegende delen worden gegrepen.
  - g. **Als voorzieningen voor stofafzuiging of een stofreservoir kunnen worden gemonteerd, controleer dan dat deze zijn aangesloten en op de juiste wijze worden gebruikt.**

Het gebruik van stofafzuiging kan aan stof gerelateerde gevaren verminderen.

**h. Word niet gemakzuchtig doordat u door veelvuldig gebruik vertrouwd bent geraakt met het gereedschap, en verlies niet de veiligheidsbeginselen uit het oog.**

Een onvoorzichtige handeling kan in een fractie van een seconde ernstig letsel tot gevolg hebben.

**4. Gebruik en onderhoud van elektrisch gereedschap**

**a. Overbelast het elektrisch gereedschap niet. Gebruik het juiste elektrisch gereedschap voor uw toepassing.**

Met het juiste elektrisch gereedschap kunt u de werkzaamheden waarvoor het gereedschap is ontworpen, beter en veiliger uitvoeren.

**b. Gebruik het elektrisch gereedschap niet als de schakelaar niet goed werkt.**

Ieder elektrisch gereedschap dat niet met de schakelaar kan worden bediend, is gevaarlijk en moet worden gerepareerd.

**c. Trek de stekker uit het stopcontact en/of de accu uit het elektrisch gereedschap voordat u het gereedschap instelt, accessoires wisselt of het elektrisch gereedschap opbergt.**

Dergelijke preventieve veiligheidsmaatregelen verminderen het risico dat het elektrisch gereedschap per ongeluk wordt gestart.

**d. Bewaar elektrisch gereedschap dat niet wordt gebruikt, buiten bereik van kinderen. Laat niet personen die er niet vertrouwd mee zijn en deze aanwijzingen niet hebben gelezen met het gereedschap werken.**

Elektrisch gereedschap is gevaarlijk in handen van ongetrainde gebruikers.

**e. Onderhoud elektrisch gereedschap en accessoires goed. Controleer dat bewegende delen van het elektrisch gereedschap wel goed functioneren en niet klemmen, en dat er niet onderdelen zodanig zijn gebroken of beschadigd dat de werking van het gereedschap nadelig wordt beïnvloed. Laat het gereedschap voor gebruik repareren als het beschadigd is.**

Veel ongelukken worden veroorzaakt door slecht onderhouden elektrisch gereedschap.

**f. Houd zaag- en snijgereedschap scherp en schoon.**

Goed onderhouden zaaggereedschap met scherpe snijvlakken loopt minder snel vast en is gemakkelijker onder controle te houden.

**g. Gebruik elektrisch gereedschap, accessoires, zaagjes en boortjes, enz., volgens deze aanwijzingen. Let daarbij op de arbeidsomstandigheden en de uit te voeren werkzaamheden.**

Gebruik van het elektrisch gereedschap voor werkzaamheden die anders zijn dan bedoeld, kan leiden tot een gevaarlijke situatie.

**h. Houd de handgrepen droog, schoon en vrij van olie en vet.**

Gladde handgrepen en greepoppervlakken maken het moeilijk het gereedschap veilig te hanteren en onder controle te houden in onverwachte situaties.

**5. Gebruik en onderhoud van accugereedschap**

**a. Laad accu's alleen op met de door de fabrikant aanbevolen lader.** Een lader die geschikt is voor het ene type accu, kan een risico van brand doen ontstaan bij gebruik met een andere accu.

**b. Gebruik elektrisch gereedschap alleen in combinatie met specifiek vermelde accu's.** Het gebruik van andere accu's kan gevaar voor letsel en brand opleveren.

**c. Houd de accu, wanneer u deze niet gebruikt, weg bij andere metalen objecten zoals paperclips, munten, sleutels, spijkers, schroeven of andere kleine metalen voorwerpen die een verbinding tot stand kunnen brengen tussen de ene pool en de andere.** Als kortsluiting tussen de polen van de accu wordt gemaakt, kan dit tot brandwonden of brand leiden.

**d. Wanneer de accu slecht wordt behandeld, kan er vloeistof uit de accu spuiten, vermijd contact met deze vloeistof. Als er per ongeluk contact ontstaat, spoel dan met water. Als de vloeistof in de ogen komt, roep dan tevens medische hulp in.** Vloeistof uit de accu kan irritatie en brandwonden veroorzaken.

**e. Gebruik niet een accu of gereedschap die/dat beschadigd is of waaraan wijzigingen zijn aangebracht.** Beschadigde of gemodificeerde accu's kunnen zich onvoorspelbaar gedragen wat brand, explosie of een risico van letsel met zich mee kan brengen.

**f. Stel een accu of gereedschap niet bloot aan vuur of uitzonderlijk hoge temperaturen.** Blootstelling aan vuur of een temperatuur boven 130 °C kan een explosie tot gevolg hebben.

**g. Volg alle instructies voor het opladen en laad de accu of het gereedschap niet bij een temperatuur buiten het temperatuurbereik dat wordt opgegeven in de instructies.** Onjuist opladen of opladen bij temperaturen buiten het opgegeven bereik kan de accu beschadigen en het risico van brand vergroten.

**6. Service**

**a. Laat het gereedschap alleen repareren door gekwalificeerd en vakkundig personeel en alleen met originele vervangingsonderdelen.** De veiligheid van het gereedschap blijft dan gewaarborgd.

**b. Voer nooit servicewerkzaamheden uit aan accu's.** Alleen de fabrikant of een geautoriseerd servicecentrum mag servicewerkzaamheden aan accu's uitvoeren.



## Aanvullende veiligheids waarschuwingen voor elektrisch gereedschap



**Waarschuwing!** Aanvullende veiligheids waarschuwingen voor schroefmachines.

- ◆ **Houd het gereedschap vast bij de geïsoleerde greepoppervlakken als u een handeling uitvoert waarbij het bevestigingsmateriaal met onzichtbare draden of met het eigen snoer in aanraking kan komen.** Bevestigingsmateriaal dat in contact komt met bedrading die onder stroom staat, kan metalen onderdelen van het gereedschap onder stroom zetten en de gebruiker een elektrische schok geven.
- ◆ **Draag gehoorbeschermers bij slagsleutels.** Blootstelling aan lawaai kan gehoorverlies veroorzaken.
- ◆ **Gebruik de hulphandgrepen die bij het gereedschap worden geleverd.** Verlies van controle kan leiden tot persoonlijk letsel.
- ◆ **Zet het werkstuk met klemmen of op een andere praktische manier vast en ondersteun het op een stabiele ondergrond.** Wanneer u het werkstuk vasthoudt met de hand of het tegen uw lichaam gedrukt houdt, is het instabiel en kunt u de controle verliezen.
- ◆ **Controleer waar zich bedrading en leidingen bevinden voordat u bevestigingsmateriaal in muren, vloeren of plafonds aanbrengt.**
- ◆ **Het bedoeld gebruik wordt beschreven in deze gebruiksaanwijzing.**
- ◆ **Het gebruik van andere accessoires of hulpstukken of uitvoering van andere handelingen met dit gereedschap dan die in deze instructiehandleiding worden aanbevolen, kan leiden tot persoonlijk letsel en/of materiële schade.**

## Veiligheidsinstructies wanneer u lange boren gebruikt

- ◆ **Werk nooit op een hogere snelheid dan de maximale snelheidsaanduiding op de boor.** Bij hogere snelheden zal de boor misschien doorbuigen als deze vrij kan draaien zonder contact met het werkstuk, wat persoonlijk letsel tot gevolg heeft.
- ◆ **Begin altijd met boren op een lagere snelheid met de boor-bit tip in contact met het werkstuk.** Bij hogere snelheden zal de boor misschien doorbuigen als deze vrij kan draaien zonder contact met het werkstuk, wat persoonlijk letsel tot gevolg heeft.
- ◆ **Oefen alleen in een directe lijn met het boortje druk uit en oefen niet al te veel druk uit.** Bits kunnen doorbuigen waardoor de bit kan breken of de gebruiker de controle kan verliezen, wat persoonlijk letsel tot gevolg heeft.

## Veiligheid van anderen

- ◆ Het is niet de bedoeling dat dit gereedschap wordt gebruikt door personen (waaronder kinderen) met verminderde fysieke, zintuiglijke of psychische vermogens, of met een gebrek aan ervaring en kennis, tenzij onder toezicht van of met aanwijzingen over het gebruik van het gereedschap door een persoon die verantwoordelijk is voor hun veiligheid.
- ◆ Houd toezicht op kinderen zodat zij niet met het apparaat kunnen spelen.

## Overige risico's

Er kunnen zich bij het gebruik van dit gereedschap nog meer risico's voordoen, die mogelijk niet in de bijgesloten veiligheids waarschuwingen worden beschreven. Deze risico's kunnen zich voordoen door onoordeelkundig gebruik, langdurig gebruik, enz.

Zelfs wanneer de veiligheidsvoorschriften in acht worden genomen en de veiligheidsvoorzieningen worden gebruikt, kunnen bepaalde risico's niet worden uitgesloten. Dit zijn onder meer:

- ◆ Verwondingen die worden veroorzaakt door het aanraken van draaiende/bewegende onderdelen.
- ◆ Verwondingen die worden veroorzaakt bij het vervangen van onderdelen, messen of accessoires.
- ◆ Verwondingen die worden veroorzaakt door langdurig gebruik van gereedschap. Wanneer u langere periodes met gereedschap werkt, kunt u het beste regelmatig een pauze nemen.
- ◆ Gehoorbeschadiging.
- ◆ Gezondheidsrisico's door het inademen van stof dat vrijkomt tijdens het gebruik van uw gereedschap (bijvoorbeeld: het werken met hout, met name eiken, beuken en MDF).

## Trillingen

De aangegeven waarden voor trillingsemissie in de technische gegevens en de conformiteitsverklaring, zijn gemeten volgens een standaardtestmethode die door EN62841 wordt verstrekt en door middel waarvan het ene gereedschap met het andere wordt vergeleken.

De aangegeven waarde voor trillingsemissie kan ook worden gebruikt bij een voorlopige bepaling van blootstelling.

**Waarschuwing!** De waarde voor trillingsemissie tijdens het werkelijke gebruik van het elektrisch gereedschap kan verschillen van de aangegeven waarde afhankelijk van de manieren waarop het gereedschap wordt gebruikt. Het trillingsniveau kan toenemen tot boven het aangegeven niveau.

Bij beoordeling van de blootstelling aan trillingen met het doel vast te stellen welke veiligheidsmaatregelen 2002/44/EG vereist ter bescherming van personen die tijdens hun werk regelmatig elektrisch gereedschap gebruiken, moet bij een inschatting van de blootstelling aan trillingen rekening worden gehouden met de werkelijke gebruiksomstandigheden en de manier waarop het gereedschap wordt gebruikt. Daarbij moet ook rekening worden gehouden met alle onderdelen van de bedrijfscyclus, zoals wanneer het gereedschap wordt uitgeschakeld en wanneer het gereedschap stationair loopt en ook de aanlooptijd.

### Etiketten op het gereedschap

De volgende pictogrammen worden met de datumcode op het gereedschap weergegeven:



**Waarschuwing!** De gebruiker moet de instructiehandleiding lezen zodat het risico van letsel wordt beperkt.



Kijk niet in de werklamp

### Aanvullende veiligheidsinstructies voor accu's en laders

#### Accu's

- ◆ Probeer nooit om welke reden dan ook batterijen open te maken.
- ◆ Stel de accu niet bloot aan water.
- ◆ Bewaar de accu niet op locaties waar de temperatuur kan stijgen tot boven 40 °C.
- ◆ Laad de accu's alleen op bij een omgevingstemperatuur tussen 10 °C en 40 °C.
- ◆ Gooi lege accu's weg volgens de instructies in het gedeelte "Het milieu beschermen".



Probeer niet beschadigde accu's op te laden.

#### Functies

Dit gereedschap kan de volgende functies omvatten:

1. Aan/Uit-schakelaar
2. Schuifknop voor rechtsom/linksom
3. Bithouder
4. Kraag/LED werklicht
5. Inbussleutel
6. Laadpoort
7. USB-connector

#### De accu opladen (afb. A)

- ◆ Steek de USB connector (7a) in de laadpoort (6).
- ◆ Steek de USB connector (7b) in de USB-voeding (niet meegeleverd).
- ◆ Laat het gereedschap tot 4 uur aangesloten op de lader.

- ◆ Het indicatielampje (6a) voor het laden brandt tijdens het laden.
- ◆ Zodra het apparaat volledig is opgeladen gaat het indicatielampje (6a) uit.

### Een inbussleutel monteren en verwijderen (afb. B, C)

**Waarschuwing!** Zet de schuifknop (2) in de vergrendelde stand (in het midden).

- ◆ Draai de kraag (4) linksom om de bithouder (3) te openen.
- ◆ Steek de inbussleutel (5) in de bithouder (3) tot deze contact maakt met de schijfmagneet (3a) aan het einde van de opening, zodat de sleutel in het midden van de kraag staat.
- ◆ Draai de kraag (4) rechtsom tot de inbussleutel (5) goed vastzit.
- ◆ Een kraagverlengstuk (3b) is meegeleverd voor gebruik met langere inbussleutels. Bevestig deze zoals in afbeelding C is afgebeeld.

**Waarschuwing!** Gebruik het apparaat alleen met het korte uiteinde van de inbussleutel in de gleuf. U kunt letsel oplopen als de inbussleutel buiten de kraag uitsteekt

### LED-werklicht (afb. D)

Het LED-werklicht (4) gaat automatisch branden wanneer u de aan/uit-schakelaar (1) indrukt. Het licht gaat ook branden wanneer u de schakelaar indrukt terwijl de schuifknop voor rechtsom/linksom (2) in de vergrendelde stand staat (in het midden).

### De draairichting selecteren (afb. E)

Gebruik voor het boren en vastdraaien van inbusbouten de voorwaartse draairichting. Gebruik de achterwaartse draairichting om inbusbouten te verwijderen.

- ◆ Als u vooruit draaien wilt selecteren, drukt u de schuifknop voor vooruit/achteruit (2) naar rechts.
- ◆ Als u achteruit draaien wilt selecteren, drukt u de schuifknop voor vooruit/achteruit (2) naar links.
- ◆ U kunt het gereedschap vergrendelen door de schuifknop voor vooruit/achteruit in de middelste stand te zetten.

### Vastdraaien

- ◆ Selecteer met de schuifknop voor vooruit/achteruit (2) de gewenste draairichting.
- ◆ Schakel het gereedschap in door op de aan/uit-schakelaar (1) te drukken.
- ◆ Laat de aan/uit-schakelaar (1) los als u het gereedschap wilt uitschakelen.

### Tips voor optimaal gebruik

#### Schroeven in- en uitdraaien

- ◆ Gebruik altijd het juiste type en formaat inbussleutel.

- ◆ Als inbusbouten moeilijk kunnen worden vastgedraaid, kunt u een kleine hoeveelheid afwasmiddel of zeep als smeermiddel gebruiken.
- ◆ Houd het gereedschap en de inbusleutel altijd recht in het verlengde van de inbusbout.

**Opmerking:** Dit apparaat werkt ook met standaard inbusschroevendraaier bits.

## Onderhoud

Uw BLACK+DECKER-gereedschap is ontworpen om gedurende langere periode te functioneren met een minimum aan onderhoud. Het continu naar tevredenheid functioneren hangt af van de juiste zorg voor het gereedschap en regelmatig schoonmaken.

**Waarschuwing!** Trek het gereedschap uit de lader voordat u onderhouds- of reinigingswerkzaamheden uitvoert.

- ◆ Reinig de behuizing van de motor regelmatig met een vochtige doek. Gebruik niet een schurend schoonmaakmiddel of een schoonmaakmiddel op basis van een oplosmiddel.

## Het milieu beschermen



Gescheiden afvalinzameling. Producten en accu's waarop dit symbool is aangebracht, mogen niet bij het normale huishoudafval worden weggegooid.

Producten en accu's bevatten materialen die kunnen worden teruggewonnen of gerecycled en dat doet de vraag naar grondstoffen afnemen.

Recycle elektrische producten en accu's volgens de ter plaatse geldende bepalingen. Nadere informatie is beschikbaar op [www.2helpU.com](http://www.2helpU.com)

## Technische gegevens

		BCRTA01
Spanning	V <sub>dc</sub>	3,6
Snelheid onbelast	min <sup>-1</sup>	180
Vastlooptorsie	Nm	5,5
Max. torsie	Nm	5,5
Spankop	mm	6
Gewicht	kg	0,4

Batterij		
Accutype		Li-Ion
Ah-classificatie		1.5Ah

Geluidsdrukniveau, volgens EN 62841:	
Geluidsdruk (L <sub>pa</sub> )	57 dB(A), meetonzekerheid (K) 5 dB(A)
Geluidsvermogen (L <sub>wa</sub> )	68 dB(A), meetonzekerheid (K) 5 dB(A)

Totale trillingswaarden (som triaxvector) volgens EN 62841:

Schroeven indraaien zonder slagen (a<sub>h</sub>) 0,5 m/s<sup>2</sup>, meetonzekerheid (K) 1,5 m/s<sup>2</sup>

## EG Conformiteitsverklaring

RICHTLIJN VOOR MACHINES



BCRTA01 Schroefmachine

Black & Decker verklaart dat de producten die worden beschreven onder "technische gegevens", voldoen aan: 2006/42/EC, EN62841-1:2015, EN62841-2-1:2018.

Deze producten voldoen ook aan richtlijn 2014/30/EU en 2011/65/EU. Neem voor meer informatie contact op met Black & Decker op het volgende adres of raadpleeg de achterzijde van de handleiding.

Ondergetekende is verantwoordelijk voor de samenstelling van het technische bestand en legt deze verklaring af namens Black & Decker.

Ed Higgins

Director – Consumer Power Tools

Black & Decker Europe, 270 Bath Road, Slough,

Berkshire, SL1 4DX

Verenigd Koninkrijk

17-2-2020

## Garantie

Black & Decker heeft vertrouwen in zijn producten en biedt consumenten een garantie van 24 maanden vanaf de aankoopdatum. Deze garantie vormt een aanvulling op uw wettelijke rechten en beperken deze niet. De garantie is geldig op het grondgebied van de Lidstaten van de Europese Unie en de Europese Vrijhandelszone.

Voor een garantie-aanspraak moet uw aanspraak in overeenstemming zijn met de Voorwaarden en Condities van Black & Decker en moet u een bewijs van aankoop overleggen aan de verkoper of aan een geautoriseerde reparatiemonteur.

Voorwaarden en condities van de 2-jarige garantie van Black & Decker en het adres van de vestiging van het geautoriseerde reparatiecentrum bij u in de buurt, kunt u vinden op internet op [www.2helpU.com](http://www.2helpU.com), of door contact op te nemen met het Black & Decker-kantoor ter plaatse, op het adres dat in deze handleiding wordt vermeld.

Bezoek onze website [www.blackanddecker.nl](http://www.blackanddecker.nl), waar u uw nieuwe Black & Decker-product kunt registreren en het laatste nieuws vindt over nieuwe producten en speciale aanbiedingen.

## Uso previsto

El atornillador BCRTA01 de BLACK+DECKER™ ha sido diseñado para aplicaciones con llaves hexagonales. Esta herramienta ha sido concebida únicamente para uso doméstico.

## Instrucciones de seguridad

### Advertencias de seguridad para herramientas eléctricas en general



**¡Advertencia! Lea todas las advertencias de seguridad, instrucciones, ilustraciones y especificaciones suministradas con esta herramienta eléctrica.** El incumplimiento de las instrucciones que se indican a continuación puede causar descargas eléctricas, incendios y/o lesiones graves.

**Guarde todas las advertencias e instrucciones para futuras consultas.** El término "herramienta eléctrica" que aparece en las advertencias se refiere a la herramienta eléctrica que funciona a través de la red eléctrica (con cable) o a la herramienta eléctrica que funciona con batería (sin cable).

#### 1. Seguridad del área de trabajo

- a. **Mantenga limpia y bien iluminada el área de trabajo.** Las áreas en desorden u oscuras pueden provocar accidentes.
- b. **No utilice herramientas eléctricas en entornos con peligro de explosión, como aquellos en los que haya líquidos, gases o polvos inflamables.** Las herramientas eléctricas originan chispas que pueden inflamar el polvo o los gases.
- c. **Mantenga alejados a los niños y otras personas del área de trabajo al emplear la herramienta eléctrica.** Las distracciones pueden causar la pérdida del control de la herramienta.

#### 2. Seguridad eléctrica

- a. **El enchufe de la herramienta eléctrica debe corresponder a la toma de corriente. No modifique nunca el enchufe de ninguna forma. No utilice ningún enchufe adaptador con las herramientas eléctricas conectadas a tierra (puestas a masa).** Los enchufes no modificados y las tomas de corriente compatibles reducen el riesgo de descarga eléctrica.
- b. **Evite que su cuerpo toque partes conectadas o puestas a tierra tales como tuberías, radiadores, cocinas y refrigeradores.** Existe un mayor riesgo de descarga eléctrica si su propio cuerpo está conectado a tierra.
- c. **No exponga las herramientas eléctricas a la lluvia y a la humedad.**

Si entra agua en una herramienta eléctrica, aumenta el riesgo de descarga eléctrica.

- d. **Cuide el cable de alimentación. No use nunca el cable para transportar, tirar de la herramienta eléctrica o desenchufarla. Mantenga el cable alejado del calor, aceite, bordes afilados y piezas en movimiento.** Los cables dañados o enredados aumentan el riesgo de descarga eléctrica.
- e. **Al trabajar con la herramienta eléctrica en la intemperie utilice solamente cables de prolongación homologados para su uso en exteriores.** La utilización de un cable adecuado para el uso en exteriores reduce el riesgo de descarga eléctrica.
- f. **Si la utilización de una herramienta eléctrica en un lugar húmedo es inevitable, utilice una fuente protegida con un dispositivo diferencial residual (DDR).** El uso de un DDR reduce el riesgo de descarga eléctrica.

#### 3. Seguridad personal

- a. **Esté atento a lo que hace y emplee la herramienta eléctrica con prudencia.** **No maneje una herramienta eléctrica cuando esté cansado o bajo los efectos de drogas, medicamentos o alcohol.** Un momento de falta de atención cuando se manejan las herramientas eléctricas puede ocasionar lesiones personales graves.
- b. **Utilice un equipo de protección personal. Utilice siempre protección ocular.** El uso de equipo de protección, como mascarillas antipolvo, calzado antideslizante, casco o protección auditiva para las condiciones apropiadas reduce la posibilidad de sufrir lesiones corporales.
- c. **Impida que la herramienta se ponga en marcha involuntariamente. Asegúrese de que el interruptor se encuentre en la posición de apagado antes de conectar la herramienta a la fuente de alimentación o a la batería, o de coger o transportar la herramienta.** Transportar herramientas eléctricas con el dedo puesto en el interruptor o herramientas eléctricas activadoras que tengan el interruptor encendido puede provocar accidentes.
- d. **Retire las herramientas de ajuste o llaves fijas antes de encender la herramienta eléctrica.** Dejar una llave inglesa u otra llave puesta en una pieza en movimiento de la herramienta eléctrica puede ocasionar lesiones personales.
- e. **Sea precavido. Mantenga un equilibrio adecuado y la estabilidad constantemente.** Esto permite un mejor control de la herramienta eléctrica en situaciones inesperadas.
- f. **Lleve puesta una vestimenta de trabajo adecuada. No se ponga ropa suelta o joyas.**

- Mantenga el cabello, la ropa y los guantes alejados de las piezas en movimiento.** La ropa suelta, las joyas y el pelo largo pueden quedar atrapados en las piezas en movimiento.
- g. Siempre que sea posible utilizar unos equipos de aspiración o captación de polvo, asegúrese de que estén montados y de se utilicen correctamente.** El uso de equipo de recogida de polvo puede reducir los riesgos relacionados con el polvo.
- h. Evite que la familiaridad adquirida con el uso frecuente de las herramientas le haga confiarse demasiado e ignorar las normas de seguridad de las herramientas.** Un descuido puede causar lesiones graves en una fracción de segundo.
- 4. Uso y cuidado de herramientas eléctricas**
- a. No sobrecargue la herramienta eléctrica. Use la herramienta eléctrica correcta para su trabajo.** La herramienta eléctrica correcta funcionará mejor y con mayor seguridad si se utiliza de acuerdo con sus características técnicas.
- b. No utilice la herramienta eléctrica si no se puede encender y apagar con el interruptor.** Toda herramienta eléctrica que no pueda controlarse con el interruptor es peligrosa y debe ser reparada.
- c. Desconecte el enchufe de la herramienta eléctrica de la fuente de alimentación y/o la batería antes de realizar cualquier ajuste, cambiar accesorios o guardar la herramienta.** Dichas medidas de seguridad preventivas reducen el riesgo de poner en marcha accidentalmente la herramienta eléctrica.
- d. Guarde las herramientas eléctricas fuera del alcance de los niños y no permita que la utilicen las personas no familiarizadas con su uso o con estas instrucciones.** Las herramientas eléctricas son peligrosas en manos de personas no capacitadas.
- e. Realice el mantenimiento de sus herramientas eléctricas y accesorios. Compruebe que las piezas móviles no estén desalineadas ni atascadas, que no haya piezas rotas y cualquier otra condición que pudiera afectar al funcionamiento de la herramienta eléctrica. Si la herramienta eléctrica está dañada, llévela para que sea reparada antes de utilizarla.** Se ocasionan muchos accidentes por el mal mantenimiento de las herramientas eléctricas.
- f. Mantenga las herramientas de corte limpias y afiladas.** Hay menos probabilidad de que las herramientas de cortar con bordes afilados se bloqueen, y son más fáciles de controlar.
- g. Utilice la herramienta eléctrica, los accesorios, los útiles de la herramienta, etc. de acuerdo con estas instrucciones, y tenga en cuenta las condiciones de trabajo y la tarea que va a realizar.**
- El uso de la herramienta eléctrica para operaciones que no sean las previstas puede ocasionar una situación peligrosa.
- h. Mantenga las empuñaduras y superficies de agarre secas, limpias y libres de aceite y grasa.** Las empuñaduras resbaladizas y las superficies engrasadas impiden aferrar y controlar la herramienta en situaciones imprevistas.
- 5. Uso y cuidado de la herramienta de baterías**
- a. Recárguela solo con el cargador especificado por el fabricante.** Un cargador adecuado para un tipo de batería puede provocar riesgos de incendios al ser utilizado con otra batería.
- b. Utilice las herramientas eléctricas solamente con las baterías recomendadas.** El uso de otras baterías puede suponer un riesgo de incendio y lesiones.
- c. Cuando no utilice la batería, manténgala alejada de objetos de metal como clips para papel, monedas, llaves, clavos, tornillos y otros pequeños objetos metálicos que pueden realizar una conexión de un terminal a otro.** Si se produce un cortocircuito entre los terminales de la batería, pueden ocasionarse incendios o quemaduras.
- d. En caso de uso abusivo puede salir líquido de la batería, evite el contacto. Si se produce un contacto accidental, lave con agua. Si el líquido se pone en contacto con los ojos, acuda además a un médico.** El líquido expulsado de la batería podrá provocar irritaciones o quemaduras.
- e. No use la batería ni la herramienta si están dañadas o han sido modificadas.** Las baterías dañadas o modificadas pueden tener reacciones imprevistas y causar incendios, explosión o riesgo de lesiones.
- f. No exponga la batería o la herramienta al fuego o a temperaturas excesivas.** La exposición al fuego o a una temperatura superior a 130 °C puede causar una explosión.
- g. Siga las instrucciones de carga y no cargue la batería o la herramienta fuera del intervalo de temperatura especificado en las instrucciones.** La carga incorrecta o fuera del rango de temperatura especificado puede dañar la batería y aumentar el riesgo de incendio.
- 6. Reparaciones**
- a. Esta herramienta eléctrica solo la puede reparar personal técnico autorizado que emplee exclusivamente piezas de repuesto originales.** Así se asegurará que se mantenga la seguridad de la herramienta eléctrica.
- b. Nunca repare la batería si está dañada.** La reparación de la batería puede ser efectuada únicamente por el fabricante o los proveedores de servicio autorizados.

## Advertencias de seguridad adicionales para herramientas eléctricas



**¡Advertencia!** Otras advertencias de seguridad para atornilladores.

- ◆ **Sujete la herramienta eléctrica por la superficie aislada cuando realice una operación en la que el elemento de fijación pueda entrar en contacto con algún cable oculto o con su propio cable.** El contacto de los elementos de sujeción con un cable "cargado" puede cargar las partes metálicas expuestas de la herramienta eléctrica y producir una descarga eléctrica al operador.
- ◆ **Póngase protectores auditivos cuando use llaves de impacto.** La exposición al ruido puede provocar pérdida de audición.
- ◆ **Utilice las empuñaduras auxiliares suministradas con la herramienta.** La pérdida de control puede provocar lesiones personales.
- ◆ **Utilice fijaciones u otro tipo de método para sostener y fijar la pieza de trabajo en una plataforma estable.** Si sostiene la pieza de trabajo con las manos o con su cuerpo, esta estará inestable y podrá hacer que usted pierda el control.
- ◆ **Antes de atornillar elementos de fijación en paredes, suelos o techos, compruebe la ubicación de los cables y tuberías.**
- ◆ **En este manual de instrucciones se describe el uso previsto.**
- ◆ **La utilización de accesorios o dispositivos auxiliares o la realización de operaciones distintas a las recomendadas en este manual de instrucciones para esta herramienta pueden causar lesiones personales y/o daños materiales.**

## Indicaciones de seguridad para el uso de brocas largas

- ◆ **Nunca utilice una velocidad superior a la velocidad nominal máxima de la broca.** A velocidades más altas, la broca podría doblarse si se la deja girar libremente sin entrar en contacto con la pieza de trabajo, y podría ocasionar lesiones personales.
- ◆ **Empiece a taladrar siempre a baja velocidad y poniendo la punta de la broca en contacto con la pieza de trabajo.** A velocidades más altas, la broca podría doblarse si se la deja girar libremente sin entrar en contacto con la pieza de trabajo, y podría ocasionar lesiones personales.
- ◆ **Aplique una presión no demasiado excesiva y solo en línea directa con la broca.** Las puntas pueden doblarse causando rotura o pérdida de control y lesiones personales.

## Seguridad de otras personas

- ◆ Este aparato no está destinado para su uso por parte de personas (incluyendo los niños) con capacidades físicas, sensoriales o mentales reducidas, o que carezcan de la experiencia o el conocimiento necesario, a menos que estén supervisadas o reciban las instrucciones relativas al uso del aparato por una persona encargada de su seguridad.
- ◆ Los niños deben estar siempre vigilados para asegurarse de que no juegan con el aparato.

## Riesgos residuales

El uso de esta herramienta puede producir riesgos residuales adicionales no incluidos en las advertencias de seguridad adjuntas. Estos riesgos se pueden generar por un uso incorrecto, demasiado prolongado, etc.

El cumplimiento de las normas de seguridad correspondientes y el uso de dispositivos de seguridad no evitan ciertos riesgos residuales. Dichos riesgos incluyen:

- ◆ Lesiones producidas por el contacto con piezas móviles o giratorias.
- ◆ Lesiones causadas al cambiar piezas, cuchillas o accesorios.
- ◆ Lesiones causadas por el uso prolongado de una herramienta. Si utiliza una herramienta durante periodos de tiempo demasiado prolongados, asegúrese de realizar pausas con frecuencia.
- ◆ Deterioro auditivo.
- ◆ Riesgos para la salud causados por la respiración del polvo generado por el uso de la herramienta (por ejemplo, al trabajar con madera, especialmente roble, haya y tablero semiduro de fibras).

## Vibración

Los valores de emisión de vibraciones declarados en el apartado de características técnicas y en la declaración de conformidad se han calculado según un método de prueba estándar proporcionado por la norma EN62841 y pueden utilizarse para comparar una herramienta con otra.

El valor de emisión de vibraciones especificado también puede utilizarse en una evaluación preliminar de la exposición.

**¡Advertencia!** El valor de emisión de vibraciones durante el funcionamiento real de la herramienta eléctrica puede diferir del valor declarado en función de cómo se utilice dicha herramienta. El nivel de las vibraciones puede aumentar por encima del nivel declarado.

Al evaluar la exposición a las vibraciones con el fin de determinar las medidas de seguridad que exige la directiva 2002/44/CE para proteger a las personas que utilizan periódicamente herramientas eléctricas en el entorno laboral, deberá tenerse en cuenta una estimación de la exposición a las vibraciones, las condiciones de uso reales y el modo de empleo de la herramienta, así como los pasos del ciclo operativo como, por ejemplo, el número de veces que la herramienta se apaga, el tiempo que está parada y el tiempo de activación.

### Etiquetas en la herramienta

Los siguientes pictogramas están colocados, junto al código, en la herramienta:



**¡Advertencia!** Para reducir el riesgo de lesiones, el usuario debe leer el manual de instrucciones.



No mire fijamente la luz de funcionamiento.

### Instrucciones de seguridad adicionales para baterías y cargadores

#### Baterías

- ◆ Jamás trate de abrir las baterías por ningún motivo.
- ◆ No exponga la batería al agua.
- ◆ No guarde la batería en lugares en los que la temperatura pueda superar los 40 °C.
- ◆ Realice la carga únicamente a una temperatura ambiente de entre 10 °C y 40 °C.
- ◆ Para desechar las baterías, siga las instrucciones facilitadas en la sección "Protección del medioambiente".



No intente cargar baterías dañadas.

#### Características

Esta herramienta incluye una o más de las siguientes características:

1. Interruptor de encendido/apagado
2. Control deslizante de avance/retroceso
3. Mandril portabrocas
4. Collarín/ Luz de trabajo de LED
5. Llave hexagonal
6. Puerto de carga
7. Conector USB

#### Carga de la batería (Fig. A)

- ◆ Introduzca la clavija del cargador (7a) en el puerto de carga (6).

- ◆ Enchufe el conector USB (7b) en una fuente de alimentación USB (no incluida).
- ◆ Deje la herramienta conectada al cargador hasta 4 horas.
- ◆ El indicador de carga (6a) se encenderá durante la carga.
- ◆ Una vez finalizada la carga, el indicador de carga (6a) se apagará.

#### Colocación y extracción de una llave hexagonal (Fig. B, C)

**¡Advertencia!** Compruebe que el deslizador de retroceso hacia adelante (2) esté en la posición de bloqueo (posición central).

- ◆ Gire el collarín (4) en sentido antihorario para abrir el mandril portabrocas (3).
- ◆ Inserte la llave hexagonal (5) en el mandril portabrocas (3) hasta que entre en contacto con el disco magnético (3a) del extremo del canal, comprobando que esté en el centro del cuerpo del mandril.
- ◆ Apriete el collarín (4) en sentido horario hasta que la llave hexagonal (5) quede bien sujeta.
- ◆ En el collarín de extensión (3b) se ha colocado un clip para usar llaves hexagonales más grandes. Colocar como se muestra en la figura C.

**¡Advertencia!** Usar solo con el extremo corto de la llave hexagonal en la ranura. Si la llave hexagonal sobresale del collarín pueden producirse lesiones.

#### Luz de trabajo LED (fig. D)

La luz de trabajo LED (4) se activa de forma automática al pulsar el interruptor de encendido/apagado (1). El LED también se ilumina cuando se pulsa el gatillo y el control deslizante de avance/retroceso (2) está en la posición de bloqueo (posición central).

#### Selección de la dirección de rotación (Fig. E)

Para atornillar y apretar pernos hexagonales, gire hacia delante. Para aflojar pernos hexagonales, gire en sentido contrario.

- ◆ Para seleccionar el giro hacia delante, empuje el control deslizante de avance/retroceso (2) hacia la derecha.
- ◆ Para seleccionar el giro hacia atrás, empuje el control deslizante de avance/retroceso (2) hacia la izquierda.
- ◆ Para bloquear la herramienta, ajuste el control deslizante de avance/retroceso en la posición central.

#### Fijaciones

- ◆ Seleccione la rotación hacia delante o hacia atrás con el control deslizante de avance/retroceso (2).
- ◆ Para encender la herramienta, pulse el interruptor de encendido/apagado (1).
- ◆ Para apagar la herramienta, suelte el interruptor de encendido/apagado (1).

## Consejos para un uso óptimo

### Atornillado

- ◆ Utilice siempre una llave hexagonal de tipo y tamaño adecuados.
- ◆ Si le resulta difícil apretar los tornillos, inténtelo utilizando un poco de detergente o de jabón como lubricante.
- ◆ Sujete siempre la herramienta y la llave hexagonal en línea recta con el perno hexagonal.

**Nota:** Esta unidad también puede admitir brocas de atornillar hexagonales estándar.

### Mantenimiento

Su herramienta BLACK+DECKER ha sido diseñada para funcionar durante un largo período de tiempo con un mantenimiento mínimo. El funcionamiento satisfactorio y continuo depende del buen cuidado de la herramienta y de una limpieza frecuente.

**¡Advertencia!** Desenchufe el cargador antes de llevar a cabo la limpieza o el mantenimiento de la herramienta.

- ◆ Limpie periódicamente la carcasa del motor con un paño húmedo. No utilice limpiadores abrasivos o a base de disolventes.

### Protección del medioambiente



Recogida selectiva. Los productos y las baterías marcadas con este símbolo no se deben eliminar con los residuos domésticos normales.

Los productos y las baterías que contienen materiales que se puedan recuperar o reciclar reducen la demanda de materias primas.

Recicle los productos eléctricos y las baterías de conformidad con la normativa local. Puede obtener más información en [www.2helpU.com](http://www.2helpU.com)

### Datos técnicos

		BCRTA01
Tensión	$V_{cc}$	3.6
Velocidad en vacío	$\text{min}^{-1}$	180
Alto par de detención	Nm	5.5
Par de torsión máximo	Nm	5.5
Portabrocas	mm	6
Peso	kg	0.4
<b>Batería</b>		
Tipo de batería		Litio-ión
Categoría AH		1.5Ah

Nivel de presión acústica de acuerdo con la norma EN 62841:

Presión acústica ( $L_{pa}$ ) 57 dB(A), incertidumbre (K) 5 dB(A)

Potencia acústica ( $L_{wa}$ ) 68 dB(A), incertidumbre (K) 5 dB(A)

Valores totales de vibración (suma vectorial triaxial) de acuerdo con la directiva EN 62841:

Atornillado sin impacto ( $a_{hv}$ ) 0.5  $\text{m/s}^2$ , incertidumbre (K) 1.5  $\text{m/s}^2$

## Declaración de conformidad CE

DIRECTIVA DE MÁQUINAS



Atornillador BCRTA01

Black & Decker declara que los productos descritos en «Datos técnicos» cumplen las siguientes normas:

2006/42/CE, EN62841-1:2015, EN62841-2-1:2018.

Estos productos también cumplen las Directivas 2014/30/UE y 2011/65/UE. Para más información, póngase en contacto con Black & Decker en la siguiente dirección o consulte la parte posterior del manual.

La persona que firma a continuación es responsable de la elaboración del archivo técnico y realiza esta declaración en nombre de Black & Decker.

Ed Higgins

Director – Herramientas eléctricas de consumo  
Black & Decker Europa, 270 Bath Road, Slough,  
Berkshire, SL1 4DX  
Reino Unido  
17/02/2020

### Garantía

Black & Decker confía en la calidad de sus productos y ofrece a los consumidores una garantía de 24 meses a partir de la fecha de compra. Esta garantía es adicional a sus derechos legales y no los menoscaba en modo alguno. La garantía es válida dentro de los territorios de los Estados Miembros de la Unión Europea y del Área de Libre Comercio Europea. Para reclamar la garantía, la reclamación se debe presentar de conformidad con las condiciones de Black & Decker. Tendrá que adjuntar un justificante de compra al vendedor o al agente técnico autorizado.

Las condiciones de la garantía de 2 años de Black & Decker y la ubicación de su agente técnico autorizado más cercano se pueden obtener en Internet en [www.2helpU.com](http://www.2helpU.com) o poniéndose en contacto con su oficina local de Black & Decker en la dirección que se indica en este manual. Visite nuestro sitio web [www.blackanddecker.co.uk](http://www.blackanddecker.co.uk) para registrar su nuevo producto Black & Decker y recibir noticias sobre nuevos productos y ofertas especiales.



## Utilização pretendida

A aparafusadora BCRTA01 da BLACK+DECKER™ foi concebida para aplicações de montagem com chaves hexagonais. Esta ferramenta destina-se apenas a utilização doméstica.

## Instruções de segurança

### Avisos de segurança gerais para ferramentas eléctricas



**Atenção! Leia todos os avisos de segurança, instruções, ilustrações e especificações fornecidas com esta ferramenta eléctrica.**

O não cumprimento de todas as instruções indicadas abaixo pode resultar em choque eléctrico, incêndio e/ou ferimentos graves.

**Guarde todos os avisos e instruções para referência futura.** A expressão "ferramenta eléctrica" utilizada nos avisos refere-se à sua ferramenta eléctrica com ligação à corrente eléctrica (com cabo) ou com bateria (sem fios).

#### 1. Segurança na área de trabalho

- Mantenha a área de trabalho limpa e bem iluminada.** As áreas desorganizadas ou escuras são propensas a acidentes.
- Não trabalhe com ferramentas eléctricas em áreas com risco de explosão, nas quais se encontrem líquidos, gases ou poeiras inflamáveis.** As ferramentas eléctricas criam faíscas que podem inflamar estas poeiras ou vapores.
- Mantenha crianças e outras pessoas afastadas durante a utilização da ferramenta eléctrica.** As distrações podem levar à perda do controlo da ferramenta.

#### 2. Segurança eléctrica

- As fichas da ferramenta eléctrica devem encaixar na tomada. Nunca modifique a ficha de forma alguma. Não utilize fichas adaptadoras com ferramentas eléctricas ligadas à terra.** As fichas não modificadas e as tomadas compatíveis reduzem o risco de choque eléctrico.
- Evite que o corpo entre em contacto com superfícies ligadas à terra, como tubos, radiadores, fogões e frigoríficos.** Se o seu corpo estiver "ligado" à terra, o risco de choque eléctrico é maior.
- As ferramentas eléctricas não podem ser expostas a chuva ou a humidade.** A entrada de água numa ferramenta eléctrica aumenta o risco de choque eléctrico.
- Manuseie o cabo com cuidado. Nunca o utilize para transportar, puxar ou desligar a ferramenta eléctrica. Mantenha o cabo afastado de fontes de calor, óleo, arestas afiadas ou peças móveis.**

Os cabos danificados ou emaranhados aumentam o risco de choque eléctrico.

- Quando trabalhar com uma ferramenta eléctrica ao ar livre, utilize uma extensão adequada para esse fim.** A utilização de um cabo adequado para uso ao ar livre reduz o risco de choque eléctrico.
- Se for inevitável trabalhar com uma ferramenta eléctrica num local húmido, utilize um dispositivo de corrente residual (DCR).** A utilização de um DCR reduz o risco de choque eléctrico.

#### 3. Segurança pessoal

- Mantenha-se atento, observe o que está a fazer e seja prudente quando trabalhar com a ferramenta eléctrica. Não utilize uma ferramenta eléctrica quando estiver cansado ou sob o efeito de drogas, álcool ou medicamentos.** Um momento de distração durante a utilização de ferramentas eléctricas pode resultar em ferimentos graves.
- Utilize equipamento de protecção individual. Use sempre protecção ocular.** O equipamento de protecção, como, por exemplo, uma máscara contra o pó, sapatos de segurança antiderrapantes, um capacete de segurança ou uma protecção auditiva, usado nas condições adequadas, reduz o risco de ferimentos.
- Evite arranques involuntários. Certifique-se de que o gatilho está desligado antes de ligar a ferramenta à corrente eléctrica e/ou as baterias e antes de levantar ou transportar a ferramenta.** Se mantiver o dedo sobre o gatilho quando transportar ferramentas eléctricas ou se as ligar à fonte de alimentação com o gatilho ligado, isso pode dar origem a acidentes.
- Retire eventuais chaves de ajuste ou chaves de fendas antes de ligar a ferramenta eléctrica.** Uma chave de fenda ou de ajuste fixada numa peça rotativa da ferramenta eléctrica pode causar ferimentos.
- Não tente chegar a pontos fora do alcance. Mantenha sempre os pés bem apoiados e um equilíbrio adequado.** Desta forma, será mais fácil controlar a ferramenta eléctrica em situações inesperadas.
- Use vestuário adequado. Não use roupa larga ou jóias. Mantenha o cabelo, a roupa e as luvas afastados das peças móveis.** As roupas largas, as jóias ou o cabelo comprido podem ficar presos nestas peças.
- Se for prevista a montagem de dispositivos de extracção e recolha de poeiras, assegure-se de que estão ligados e que são utilizados de forma correcta.** A utilização de dispositivos de extracção de partículas pode reduzir os riscos relacionados com as mesmas.
- Não permita que o facto de estar familiarizado com a utilização frequente das ferramentas o torne complacente e ignore os princípios de segurança da ferramenta.**

Uma acção irreflectida pode causar ferimentos numa fracção de segundo.

#### 4. Utilização e manutenção da ferramenta eléctrica

##### a. Não sobrecarregue a ferramenta eléctrica. Utilize a ferramenta eléctrica correcta para o seu trabalho.

A ferramenta eléctrica adequada irá efectuar o trabalho de um modo mais eficiente e seguro se for utilizada de acordo com a capacidade para a qual foi concebida.

##### b. Não utilize a ferramenta eléctrica se não conseguir ligar ou desligar o gatilho. Qualquer ferramenta eléctrica que não possa ser controlada através do gatilho é perigosa e tem de ser reparada.

##### c. Desligue a ficha da tomada e/ou a bateria da ferramenta eléctrica antes de proceder a ajustes, trocar acessórios ou guardar ferramentas eléctricas.

Estas medidas de segurança preventivas reduzem o risco de accionamento acidental da ferramenta eléctrica.

##### d. Mantenha as ferramentas eléctricas que não estejam a ser utilizadas fora do alcance das crianças. Não permita que a ferramenta eléctrica seja utilizada por pessoas não familiarizadas com a mesma ou que não tenham lido estas instruções. As ferramentas eléctricas são perigosas nas mãos de pessoas que não possuam as qualificações necessárias para as manusear.

##### e. Proceda à manutenção das ferramentas eléctricas. Verifique se as partes móveis estão desalinhasadas ou bloqueadas, se existem peças partidas ou qualquer outra situação que possa afectar o funcionamento das ferramentas eléctricas. Se a ferramenta eléctrica estiver danificada, esta só deve ser utilizada quando estiver reparada. Muitos acidentes têm como principal causa ferramentas eléctricas com uma manutenção insuficiente.

##### f. Mantenha as ferramentas de corte afiadas e limpas. As ferramentas de corte sujeitas a uma manutenção adequada, com arestas de corte afiadas, bloqueiam com menos frequência e controlam-se com maior facilidade.

##### g. Utilize a ferramenta eléctrica, os acessórios e as peças de ferramenta, etc., de acordo com estas instruções, considerando as condições de trabalho e a tarefa a ser executada.

A utilização da ferramenta eléctrica para fins diferentes dos previstos pode resultar em situações perigosas.

##### h. Mantenha os punhos e as superfícies de preensão secos, limpos e sem qualquer óleo ou gordura. Se o punho estiver escorregadio e as superfícies de preensão tiverem gordura, isso não permite um manuseamento e controlo seguros da ferramenta em situações inesperadas.

#### 5. Utilização e cuidados a ter com a ferramenta com baterias

##### a. Carregue apenas com o carregador especificado pelo fabricante. Um carregador adequado para um tipo de bateria pode causar um incêndio se for utilizado com outra bateria.

##### b. Utilize ferramentas eléctricas apenas com baterias específicas. A utilização de outras baterias pode dar origem a risco de danos e incêndio.

##### c. Quando não utilizar as baterias, mantenha-as afastadas de outros objectos metálicos, tais como cliques para papel, moedas, chaves, pregos, parafusos ou outros pequenos objectos metálicos que permitam fazer a ligação de um terminal para outro. O curto-circuito de terminais das baterias pode causar queimaduras ou incêndio.

##### d. Em condições abusivas, pode derramar líquido das baterias, devendo evitar o contacto. Se tocar acidentalmente no líquido, lave bem com água. Se o líquido entrar em contacto com os olhos, consulte um médico. O líquido derramado da bateria pode causar irritação ou queimaduras.

##### e. Não utilize uma bateria ou uma ferramenta que esteja danificada ou tenha sido modificada. As baterias danificadas ou modificadas podem ter um comportamento imprevisível, podendo dar origem a um incêndio, explosão ou risco de ferimentos.

##### f. Não exponha a bateria ou a ferramenta ao fogo ou a temperatura excessiva. A exposição ou uma temperatura superior a 130 °C pode dar origem a uma explosão.

##### g. Siga todas as instruções de carga e não carregue a bateria ou a ferramenta fora da gama de temperaturas especificadas nas instruções. Se a carga não for efectuada correctamente ou se a temperaturas não estiverem de acordo com o limite especificado, a bateria pode ficar danificada e há um maior risco de incêndio.

#### 6. Assistência

##### a. A ferramenta eléctrica deve ser reparada por pessoal qualificado e só devem ser colocadas peças sobresselentes idênticas. Desta forma, é garantida a segurança da ferramenta eléctrica.

##### b. Nunca repare baterias danificadas. A reparação das baterias só deve ser efectuada pelo fabricante ou por fornecedor de serviços autorizado.

#### Avisos de segurança adicionais para ferramentas eléctricas



**Atenção!** Avisos de segurança adicionais para aparafusadoras.

- ◆ **Segure a ferramenta eléctrica pelas áreas isoladas quando executar uma operação em que o fixador possa entrar em contacto com a cablagem oculta ou o seu próprio cabo.** Os agrafos que entrem em contacto com um fio com tensão eléctrica poderão fazer com que as peças de metal expostas da ferramenta conduzam electricidade e electrocutem o utilizador.
- ◆ **Use protecção auditiva quando utilizar chaves de impacto.** A exposição ao ruído pode causar perda auditiva.
- ◆ **Utilize os cabos auxiliares fornecidos com a ferramenta.** A perda de controlo pode causar lesões pessoais.
- ◆ **Utilize grampos ou outro sistema prático para fixar e apoiar a peça numa plataforma estável.** Segurar a peça com a mão ou contra o corpo pode causar instabilidade e perda de controlo.
- ◆ **Antes de utilizar os dispositivos de fixação em paredes, tectos ou chãos, verifique a localização da cablagem e dos tubos.**
- ◆ **A utilização pretendida está descrita neste manual de instruções.**
- ◆ **A utilização de qualquer acessório ou dispositivo adicional ou a realização de qualquer operação com esta ferramenta que não se inclua no presente manual de instruções pode representar um risco de ferimentos e/ou danos materiais.**

#### Instruções de segurança quando utilizar brocas compridas

- ◆ **Nunca utilize a ferramenta a uma velocidade mais elevada do que a velocidade nominal máxima da broca.** A velocidades mais elevadas, a broca pode ficar dobrada se rodar livremente sem tocar na peça, podendo causar ferimentos.
- ◆ **Inicie sempre a perfuração a uma velocidade reduzida e com a ponta da broca em contacto com a peça.** A velocidades mais elevadas, a broca pode ficar dobrada se rodar livremente sem tocar na peça, podendo causar ferimentos.
- ◆ **Aplique pressão apenas em linha directa com a broca e não aplique pressão excessiva.** As brocas podem ficar dobradas e causar rutura ou perda de controlo, bem como ferimentos.

#### Segurança de terceiros

- ◆ Esta ferramenta não deve ser utilizada por pessoas (incluindo crianças) com capacidades físicas, sensoriais ou mentais reduzidas ou com falta de experiência e conhecimentos, a menos que sejam acompanhadas ou tenham recebido formação ou instruções sobre a utilização deste equipamento por uma pessoa responsável pela respectiva segurança.

- ◆ As crianças devem ser vigiadas para garantir que não mexem no equipamento.

#### Riscos residuais

Podem surgir riscos residuais adicionais durante a utilização da ferramenta, que podem não constar nos avisos de segurança incluídos. Estes riscos podem resultar de má utilização, uso prolongado, etc.

Mesmo com o cumprimento dos regulamentos de segurança relevantes e a implementação de dispositivos de segurança, alguns riscos residuais podem não ser evitados. Estes incluem:

- ◆ Ferimentos causados pelo contacto com peças em rotação/movimento.
- ◆ Ferimentos causados durante a substituição de peças, lâminas ou acessórios.
- ◆ Ferimentos causados pela utilização prolongada de uma ferramenta. Se utilizar uma ferramenta durante períodos prolongados, certifique-se de que faz pausas regularmente.
- ◆ Danos auditivos.
- ◆ Problemas de saúde causados pela inalação de poeiras resultantes da utilização da ferramenta (exemplo: trabalhos em madeira, especialmente carvalho, faia e MDF).

#### Vibração

Os valores de emissão de vibração declarados na secção de dados técnicos e na declaração de conformidade foram medidos de acordo com o método de teste padrão fornecido pela EN62841 e podem ser utilizados para comparar ferramentas.

O valor de emissão de vibração declarado pode ainda ser utilizado numa avaliação preliminar de exposição.

**Atenção!** O valor da emissão de vibração durante a utilização real da ferramenta eléctrica pode ser diferente do valor declarado, dependendo da forma como a ferramenta é utilizada. O nível de vibração pode aumentar acima do nível indicado.

Quando avaliar a exposição da vibração para determinar as medidas de segurança exigidas pela Directiva 2002/44/CE para proteger pessoas que utilizem regularmente ferramentas eléctricas na sua actividade profissional, deve ser considerada uma estimativa de exposição da vibração, as condições reais de utilização e o modo de utilização da ferramenta, incluindo ainda todas as partes do ciclo de funcionamento, como os períodos de inactividade e espera da ferramenta, além do tempo de funcionamento.

#### Etiquetas colocadas na ferramenta

Os seguintes pictogramas, assim como o código de data, estão indicados na ferramenta:



**Atenção!** Para reduzir o risco de ferimentos, o utilizador deve ler o manual de instruções.



Não olhe fixamente para a luz de funcionamento

## Instruções de segurança adicionais para baterias e carregadores

### Baterias

- ◆ Nunca tente abrir a bateria, seja qual for o motivo.
- ◆ Não exponha a bateria à água.
- ◆ Não armazene em locais onde a temperatura possa exceder os 40 °C.
- ◆ Carregue apenas a temperaturas ambiente entre 10 °C e 40 °C.
- ◆ Quando eliminar as baterias, siga as instruções da secção "Protecção do ambiente".



Não tente carregar baterias danificadas.

### Componentes

Esta ferramenta inclui algumas ou todas as seguintes características:

1. Interruptor de ligar/desligar
2. Corrediça de avanço/recuo
3. Mandril do suporte de brocas
4. Anel/luz de trabalho LED
5. Chave hexagonal
6. Entrada de carga
7. Conector USB

### Carregar a bateria (Fig. A)

- ◆ Insira o conector USB (7a) na entrada de carga (6).
- ◆ Ligue o conector USB (7b) a uma fonte de alimentação USB (não incluída).
- ◆ Deixe a ferramenta ligada no carregador durante 4 horas.
- ◆ O indicador de carga (6a) acende-se durante o processo de carga.
- ◆ Quando a carga for concluída, o indicador de carga (6a) apaga-se.

### Montagem e remoção de uma chave hexagonal (Fig. B, C)

**Atenção!** Certifique-se de que a corrediça de avanço/recuo (2) está na posição desbloqueada (posição central).

- ◆ Rode o anel (4) para a esquerda para abrir o mandril do suporte de brocas (3).

- ◆ insira a chave hexagonal (5) no mandril do suporte de brocas (3) até entrar em contacto co o disco magnético (3a) na extremidade do canal, certificando-se de que fica centrado em relação ao corpo do mandril.
- ◆ Aperte o anel (4) para a direita até a chave hexagonal (5) ficar fixa.
- ◆ É fornecido um clipe no anel de extensão (3b) para facilitar a passagem de chaves hexagonais maiores. Instale de acordo com a Figura C.

**Atenção!** Utilize apenas a extremidade curta da chave hexagonal encaixada na ranhura. Podem ocorrer ferimentos se a chave hexagonal ficar pendurada no anel

### Luz de trabalho LED (Fig. D)

A luz de trabalho LED (4) é activada automaticamente quando o interruptor de ligar/desligar (1) é premido. O LED iluminar-se-á também quando o gatilho for premido e a corrediça de avanço/recuo (2) se encontrar na posição de bloqueio (posição central).

### Seleccionar a direcção de rotação (Fig. E)

Para perfurar ou apertar parafusos hexagonais, utilize a rotação de avanço. Para desapertar parafusos hexagonais, rode no sentido inverso.

- ◆ Para seleccionar a rotação de avanço, empurre a corrediça de avanço/recuo (2) para a direita.
- ◆ Para seleccionar a rotação de recuo, empurre a corrediça de avanço/recuo (2) para a esquerda.
- ◆ Para bloquear a ferramenta, coloque a corrediça para trás/para a frente na posição central.

### Aperto

- ◆ Selecciona a rotação de avanço ou recuo utilizando a corrediça de avanço/recuo (2).
- ◆ Para ligar a ferramenta, prima o interruptor de ligar/desligar (1).
- ◆ Para desligar a ferramenta, liberte o interruptor de ligar/desligar (1).

### Sugestões para uma utilização óptima

#### Aparafusar

- ◆ Utilize sempre o tipo e tamanho correctos de chaves hexagonais.
- ◆ Se for difícil apertar os parafusos hexagonais, aplique uma pequena quantidade de líquido de lavagem ou sabão como lubrificante.
- ◆ Segure sempre a ferramenta e a chave hexagonal em linha recta com o parafuso hexagonal.

**Nota:** Esta unidade também é compatível com brocas hexagonais para aparafusadoras.

## Manutenção

A ferramenta BLACK+DECKER foi concebida para funcionar durante muito tempo com um mínimo de manutenção. Uma utilização continuamente satisfatória depende de uma manutenção adequada da ferramenta e de uma limpeza frequente.

**Atenção!** Desligue o carregador antes de efectuar qualquer tarefa de limpeza ou manutenção na ferramenta.

- ◆ Limpe regularmente o compartimento do motor com um pano húmido. Não utilize produtos de limpeza abrasivos ou à base de dissolventes.

## Protecção do ambiente



Faça uma recolha de lixo selectiva. Os produtos e as baterias assinalados com este símbolo não devem ser eliminados em conjunto com o lixo doméstico normal.

Os produtos e as baterias contêm materiais que podem ser recuperados ou reciclados, reduzindo assim a necessidade de matérias-primas.

Recicle os produtos eléctricos e as baterias de acordo com as disposições locais. Estão disponíveis mais informações em [www.2helpU.com](http://www.2helpU.com)

## Dados técnicos

		BCRTA01
Tensão	$V_{cc}$	3,6
Velocidade sem carga	$\text{min}^{-1}$	180
Binário de paragem	Nm	5,5
Binário máx.	Nm	5,5
Mandril	mm	6
Peso	kg	0,4

Bateria		
Tipo de bateria		lões de lítio
Classificação AH		1,5 Ah

Nível de pressão acústica de acordo com a norma EN 62841:
Pressão acústica ( $L_{pa}$ ): 57 dB(A), variabilidade (K): 5 dB(A)
Potência acústica ( $L_{wa}$ ): 68 dB(A), variabilidade (K): 5 dB(A)

Valores totais de vibração (soma de vetores triax) de acordo com a norma EN 62841:
Aparafusar sem impacto ( $a_{h,v}$ ): 0,5 $\text{m/s}^2$ , variabilidade (K): 1,5 $\text{m/s}^2$

## Declaração de conformidade CE

DIRECTIVA "MÁQUINAS"



BCRTA01 - Aparafusadora

A Black & Decker declara que os produtos descritos nos

"dados técnicos" estão em conformidade com:

2006/42/CE, EN62841-1:2015, EN62841-2-1:2018.

Estes produtos estão também em conformidade com a Diretiva 2014/30/UE e 2011/65/UE. Para obter mais informações, contacte a Black & Decker através do endereço seguinte ou consulte o verso do manual.

O signatário é responsável pela compilação do ficheiro técnico e efectua esta declaração em nome da Black & Decker.

Ed Higgins

Director de Ferramentas eléctricas para bricolage  
Black & Decker Europe, 270 Bath Road, Slough,  
Berkshire, SL1 4DX  
Reino Unido  
17/02/2020

## Garantia

A Black & Decker confia na qualidade dos seus produtos e oferece aos clientes uma garantia de 24 meses a partir da data de compra. Esta garantia é um complemento dos seus direitos estabelecidos por lei, não os prejudicando de forma alguma. A garantia é válida nos Estados-membros da União Europeia e nos países-membros da Zona Europeia de Comércio Livre.

Para accionar a garantia, esta deve estar em conformidade com os termos e condições da Black & Decker e terá de apresentar comprovativos de compra ao vendedor ou a um técnico de reparação autorizado.

Os termos e condições da garantia de 2 anos da Black & Decker e a localização do agente de reparação autorizado mais próximo podem ser obtidos na Internet em [www.2helpU.com](http://www.2helpU.com) ou contactando uma filial da Black & Decker, cuja morada está indicada neste manual.

Visite o nosso Website [www.blackanddecker.co.uk](http://www.blackanddecker.co.uk) para registar o novo produto Black & Decker e manter-se atualizado relativamente a novos produtos e ofertas especiais.

## Avsedd användning

Din BLACK+DECKER™ BCRTA01 skruvdragare är avsedd för insexnyckelsarbeten. Detta verktyg är endast avsett för konsumentbruk.

## Säkerhetsinstruktioner



**Varning! Läs alla säkerhetsvarningar, instruktioner, illustrationer och specifikationer som levereras med detta elverktyg.**

Underlåtenhet att läsa alla instruktioner som listas här nedan kan resultera i elektrisk stöt, eldsvåda och/eller allvarlig personskada.

**Spara alla säkerhetsföreskrifter och anvisningar för framtida bruk.** Termen "elverktyg" i varningarna syftar på ditt nätanslutna (med kabel) elverktyg eller batteridrivna (sladdlösa) elverktyg.

### 1. Säkerhet på arbetsplatsen

- Se till att arbetsområdet är rent och väl belyst.**  
Belamrade och mörka områden inbjuder till olyckor.
- Använd inte elverktyget i explosionsfarlig omgivning, t.ex. i närheten av brännbara vätskor, gaser eller damm.** Elverktyg skapar gnistor som kan antända damm eller ångor.
- Håll barn och åskådare på avstånd vid arbete med elverktyget.** Distractioner kan göra att du förlorar kontrollen.

### 2. Elsäkerhet

- Elverktygets stickkontakt måste passa i eluttaget. Modifiera aldrig kontakten på något sätt. Använd inga adapterkontakter tillsammans med jordade elverktyg.** Icke modifierade kontakter och passande uttag minskar risken för elektrisk stöt.
- Undvik kroppskontakt med jordade ytor, t.ex. rör, värmeelement, spisar och kylskåp.** Det finns en ökad risk för elektrisk stöt om din kropp är jordansluten eller jordad.
- Utsätt inte elverktyget för regn eller våta omgivningar.** Vatten som kommer in i ett elverktyg ökar risken för elektrisk stöt.
- Misshandla inte nätsladden. Använd aldrig sladden för att bära, dra eller koppla bort elverktyget från uttaget. Håll sladden borta från värme, olja, skarpa kanter eller rörliga delar.** Skadade eller tilltrasslade sladdar ökar risken för elektrisk stöt.
- Använd en förlängningsladd som lämpar sig för utomhusbruk när du arbetar med elverktyg utomhus.** Användning av en sladd som är lämplig för utomhusbruk minskar risken för elektriska stötar.

- Om du måste använda ett elverktyg på en fuktig plats, bör du använda en strömförsörjning med jordfelsbrytare.** Användning av en jordfelsbrytare minskar risken för elektrisk stöt.

### 3. Personlig säkerhet

- Var uppmärksam, se på vad du gör och använd sunt omdöme när du använder elverktyget.**  
**Använd inte ett elverktyg när du är trött eller påverkad av droger, alkohol eller mediciner.** Ett ögonblicks ouppmärksamhet när du arbetar med elektriska verktyg kan leda till allvarliga personsador.
- Använd personlig skyddsutrustning. Använd alltid skyddsglasögon.** Skyddsutrustning såsom dammfilterskydd, halksäkra säkerhets skor, skyddshjälm eller hörselskydd som används för lämpliga förhållanden minskar personsador.
- Förhindra oavsiktlig start. Kontrollera att strömbrytaren står i avstängt läge innan du ansluter verktyget till elnätet eller sätter i batteriet, samt innan du tar upp eller bär verktyget.** Att bära elektriska verktyg med fingret på strömbrytaren eller att koppla strömmen till elektriska verktyg när strömbrytaren är på leder till olyckor.
- Ta bort alla inställningsverktyg och skruvnycklar innan du startar elverktyget.** Ett verktyg eller en nyckel som har lämnats kvar på en roterande del av det elektriska verktyget kan orsaka kroppssador.
- Sträck dig inte för mycket. Ha ordentligt föfäste och balans hela tiden.** Detta möjliggör bättre kontroll av elverktyget i oväntade situationer.
- Bär lämpliga kläder. Bär inte lösa kläder eller smycken. Håll hår, beklädnad och handskar borta från delar i rörelse. Lösa kläder, smycken eller långt hår kan fastna i rörliga delar.**
- Om enheten har dammutsugnings- och uppsamlingsutrustning, se till att den är ansluten och används på korrekt sätt.** Användning av dammuppsamling kan minska dammrelaterade risker.
- Låt inte förtrogenheten som uppstått genom regelbunden användning av verktyg låta dig bli självsäker och ignorera verktygets säkerhetsprinciper.** En oförsiktig handling kan orsaka allvarliga skador under bräkdelen av en sekund.

### 4. Användning och skötsel av elverktyg

- Överbelasta inte elverktyget. Använd rätt elverktyg för ditt arbete.**  
Det korrekta elverktyget gör arbetet bättre och säkrare vid den hastighet för vilket det konstruerades.
- Använd inte elverktyget om det inte kan startas och stängas av med strömbrytaren.** Ett elverktyg som inte kan kontrolleras med strömbrytaren är farligt och måste repareras.

- c. **Dra stickproppen ur vägguttaget och/eller ta ut batteriet ur elverktyget innan inställningar görs, tillbehör byts ut eller elverktyget ställs undan.** Sådana förebyggande säkerhetsåtgärder minskar risken att oavsiktligt starta elverktyget.
  - d. **Förvara elverktyg utom räckhåll för barn och låt inte personer som är ovana vid elverktyget eller som inte läst denna bruksanvisning använda det.** Elverktyg är farliga i händerna på ovana användare.
  - e. **Underhålla elverktyg och tillbehör. Kontrollera att rörliga komponenter fungerar felritt och inte kärvar, att komponenter inte gått sönder eller skadats och inget annat föreligger som kan påverka elverktygets funktion. Om det är skadat, se till att elverktyget blir reparerat före användning.** Många olyckor orsakas av dåligt underhållna elektriska verktyg.
  - f. **Håll skärande verktyg vassa och rena.** Korrekt underhållna kapverktyg med vassa skär är mindre troliga att de fastnar och är lättare att kontrollera.
  - g. **Använd elverktyg, tillbehör, bits m.m. enligt dessa anvisningar, samtidigt som arbetsförhållandena och det arbete som ska utföras beaktas.** Användning av elverktyget för andra uppgifter än vad som avsetts kan resultera i farliga situationer.
  - h. **Håll handtagen och greppytorna torra, rena och fria från olja och fett.** Hala handtag och greppytor förhindrar säker hantering och kontroll av verktyget i oväntade situationer.
5. **Användning och skötsel av batteridrivet verktyg**
- a. **Ladda endast med den laddare som är specificerad av tillverkaren.** En laddare som passar en batterityp kan medföra brandrisk om den används ihop med ett annat batteri.
  - b. **Använd endast de batteripaket som är speciellt avsedda för elverktyget.** Användning av andra batteripaket kan leda till personskador eller eldsvåda.
  - c. **När batteriet inte används ska du hålla det åtskilt från metallföremål som gem, mynt, nycklar, spik, skruvar och andra små metallföremål som kan orsaka kortslutning mellan batteriets poler.** Kortslutning av batteripolerna kan leda till brännskador eller eldsvåda.
  - d. **Under olämpliga förhållanden kan vätska spruta ut från batteriet. Undvik kontakt. Vid oavsiktlig kontakt, spola med vatten. Om vätskan kommer i kontakt med ögonen, sök också läkarhjälp.** Vätska som sprutar ur batteriet kan orsaka sveda och brännskador.
  - e. **Använd inte batteripaket eller verktyg som är skadade eller modifierade.** Skadade eller modifierade batterier kan uppträda oväntat och det kan resultera i brand, explosion eller skador.
  - f. **Utsätt inte batteripaket eller verktyg för brand eller höga temperaturer.**

Exponering för brand eller temperatur över 130 °C kan orsaka explosion.

- g. **Följ laddningsinstruktionerna och ladda inte batteripaketet eller verktyget utanför det temperaturområde som specificeras i instruktionerna.** Felaktig laddning eller vid temperaturer utanför den specificerade området kan skada batteriet och öka risken för brand.

## 6. Service

- a. **Låt en kvalificerad reparatör som bara använder identiska reservdelar utföra service på elverktyget.** Detta säkerställer att elverktygets säkerhet bibehålls.
- b. **Gör aldrig service på skadade batteripaket.** Service på batteripaket skall endast utföras av tillverkaren eller auktoriserad servicepersonal.

## Ytterligare säkerhetsanvisningar för elverktyg



**Varning!** Extra säkerhetsföreskrifter för skruvdragare.

- ◆ **Håll elverktyget i de isolerade greppytorna vid arbete där det riskerar att komma i kontakt med dolda elledningar eller med sin egen sladd.** Fästdon som kommer i kontakt med en strömförande ledning kan göra att exponerade metalldelar hos elverktyget blir strömförande och kan ge användaren en elektrisk stöt.
- ◆ **Använd hörselskydd när du använder slagskruvdragare.** Att utsättas för buller kan leda till hörselskador.
- ◆ **Använd de extrahandtag som medföljer verktyget.** Tappad kontroll kan orsaka personskador.
- ◆ **Använd klämmor eller något annat praktiskt sätt för att stödja arbetsstycket vid ett stabilt underlag.** Att hålla arbetsstycket för hand eller mot kroppen är instabilt och kan göra att du förlorar kontrollen.
- ◆ **Innan du driver in fästen i väggar, golv eller tak ska du kontrollera om du riskerar att komma åt rör eller elledningar.**
- ◆ **Avsedd användning beskrivs i denna bruksanvisning.**
- ◆ **Användning av andra tillbehör eller tillsatser, eller om någon annan åtgärd än de som rekommenderas i den här bruksanvisningen kan medföra risk för personskada och/eller skada på egendom.**

## Säkerhetsinstruktioner när du använder långa borrar

- ◆ **Kör aldrig med högre hastighet än borrkronans maximala hastighet.** Vid högre hastigheter kommer biten troligen att böjas om den får rotera fritt utan att komma i kontakt med arbetsstycket, vilket kan resultera i personskada.
- ◆ **Börja alltid borra med låg hastighet och med bitspetsen i kontakt med arbetsstycket.**

Vid högre hastigheter kommer biten troligen att böjas om den får rotera fritt utan att komma i kontakt med arbetsstycket, vilket kan resultera i personskada.

- ◆ **Applicera tryck endast i direkt linje med biten och applicera inte för högt tryck.** Bitar kan böjas och orsaka brott eller förlust av kontroll, vilket kan leda till personskada.

### Säkerhet för andra

- ◆ Detta verktyg är inte avsedd att användas av personer (inklusive barn) med reducerad fysisk, sensorisk eller mental förmåga eller med begränsad erfarenhet eller kunskap såvida inte de är under uppsikt eller fått instruktioner om användning av apparaten av en person som är ansvarig för deras säkerhet.
- ◆ Barn ska hållas under uppsikt så att de inte leker med verktyget..

### Återstående risker

Ytterligare risker som inte finns med i de bifogade säkerhetsanvisningarna kan uppstå när verktyget används. Dessa risker kan uppstå vid felaktig eller långvarig användning, etc.

Även om alla relevanta säkerhetsanvisningar följs och säkerhetsanordningar används kan vissa ytterligare risker inte undvikas. Dessa omfattar:

- ◆ Skador orsakade av att roterande/rörliga delar vidrörs.
- ◆ Skador som uppstår vid byte av delar, klinga eller tillbehör.
- ◆ Skador som orsakas av långvarig användning av ett verktyg. Se till att regelbundet ta vilopausar när du använder ett verktyg under en längre period.
- ◆ Hörselnedsättning.
- ◆ Hälsorisker orsakade av inandning av damm när redskapet används (exempel: arbete med trä, särskilt ek, bok och MDF.)

### Vibrationer

De vibrationsvärden som anges i avsnitten Tekniska data och deklARATIONEN om överensstämmelse har uppmätts i enlighet med en standardtestmetod föreskriven i EN62841 och kan användas för jämförelse med andra verktyg.

Det angivna vibrationsvärdet kan även användas för en preliminär bedömning av exponeringen.

**Varning!** Vibrationsvärdet under faktisk användning av elverktyget kan skilja sig från det uppgivna värdet beroende på hur verktyget används. Vibrationsnivån kan överstiga den uppgivna nivån.

Vid uppskattningar av exponering för vibrationer i syfte att bedöma vilka säkerhetsåtgärder som är nödvändiga enligt 2002/44/EG för att skydda personer som regelbundet använder elverktyg i arbetet ska man utgå från de faktiska omständigheter under vilka elverktyget används och sättet på vilket det används.

Bedömningen ska även ta hänsyn till alla moment i arbetscykeln, t.ex. när verktyget är avstängt och när det går på tomgång såväl som när det faktiskt används.

### Etiketter på verktyget

Följande symboler tillsammans med datumkoden är synliga på verktyget:



**Varning!** Läs bruksanvisningen före användning för att minska risken för personskador.



Titta inte direkt in i arbetslampan

### Ytterligare säkerhetsinstruktioner för batterier och laddare

#### Batterier

- ◆ Försök aldrig öppna batteriet.
- ◆ Utsätt inte batteriet för vatten.
- ◆ Förvara inte på platser där temperaturen kan bli högre än 40 °C.
- ◆ Ladda endast vid temperaturer mellan 10 °C och 40 °C.
- ◆ Följ instruktionerna i avsnittet "Skydda miljön" när du gör dig av med batterier.



Försök inte ladda skadade batterier.

### Funktioner

Detta verktyg har några eller samtliga av följande funktioner:

1. Strömbrytare
2. Framåt-/bakåttreglage
3. Bitshållarchuck
4. Krage/LED-arbetsbelysning
5. Insexnyckel
6. Laddningsuttag
7. USB-kontakt

### Ladda batteriet (bild A)

- ◆ Sätt i USB-kontakten (7a) i laddningsuttaget (6).
- ◆ Anslut USB-kontakten (7b) till en USB-strömkälla (ingår inte).
- ◆ Låt verktyget vara anslutet till laddaren i 4 timmar.
- ◆ Laddningsindikatorn (6a) kommer att lysa under laddningen.
- ◆ När laddningen är klar kommer laddningsindikatorn (6a) att slockna.

### Montera och ta bort en insexnyckel (fig. B, C)

**Varning!** Se till att framåt-/bakåttreglaget (2) är i uppläst läge (mittpositionen).



- Vrid kragen (4) amoturs för att öppna bitshållarchucken (3).
- Sätt in insexnyckeln (5) i bitshållarchucken (3) tills den kommer i kontakt med magnetskivan (3a) i slutet av kanalen, och se till att den är centralt i chuckkroppen.
- Dra åt kragen (4) medurs tills insexnyckeln (5) sitter fast.
- En klämma på förlängningskragen (3b) tillhandahålls för att förenkla för större insexnycklar. Montera såsom visas i figur C.

**Varning!** Använd endast när den korta änden av insexnyckeln sitter i spåret. Skada kan uppstå om insexnyckeln hänger över kragen.

### LED-arbetsbelysning (bild D)

LED-arbetsbelysningen (4) aktiveras automatiskt när strömbrytaren (1) trycks in. LED-lampan tänds även om strömbrytaren trycks in när framåt-/bakåttreglaget (2) är i låsläge (mittenläget).

### Välja rotationsriktning (bild E)

När du borrar och drar åt insexskruvar använder du framåtgående rotation. För att lossa sexkantsbultar, använd omvänd rotation.

- Du väljer framåtgående rörelse genom att trycka framåt-/bakåttreglaget (2) till framåtläget.
- Du väljer bakåtgående rörelse genom att trycka framåt-/bakåttreglaget (2) till bakåtläget.
- Läs verktyget genom att sätta framåt-/bakåttreglaget i mittenläget.

### Fastsättning

- Välj framåt- eller bakåtgående rörelse genom att använda framåt-/bakåttreglaget (2).
- Starta verktyget genom att trycka in strömbrytaren (1).
- Stäng av verktyget genom att släppa strömbrytaren (1).

### Tips för optimal användning

#### Skruvdragning

- Använd alltid insexnyckel av rätt sort och storlek.
- Om en sexkantsskruv är svår att dra åt kan du använda lite diskmedel eller tvål som smörjmedel.
- Håll alltid verktyget och insexnyckeln i en rät linje i förhållande till sexkantsskruven.

**Notera:** Denna enhet kan också användas med insexbits av standardtyp.

### Underhåll

Detta BLACK+DECKER-verktyg har konstruerats för att fungera under lång tid med ett minimum av underhåll. Kontinuerlig tillfredsställande drift är beroende av ordentlig verktygsvård och regelbunden rengöring.

**Varning!** Koppla loss laddaren innan du utför något underhåll på eller rengör verktyget.

- Rengör motorkåpan regelbundet med en fuktig trasa. Använd aldrig något slipande eller lösningsmedelsbaserat rengöringsmedel.

### Skydda miljön



Separat insamling. Produkter och batterier som är markerade med denna symbol får inte kastas i de vanliga hushållsoporna.

Produkter och batterier innehåller material som kan återanvändas eller återvinnas för att minska behovet av råmaterial.

Återvinn elektriska produkter och batterier enligt lokala föreskrifter. Närmare information finns tillgänglig på [www.2helpU.com](http://www.2helpU.com)

### Tekniska data

		BCRTA01
Spänning	$V_{DC}$	3.6
Obelastat varvtal	$\text{min}^{-1}$	180
Vridmoment vid tvärstopp	Nm	5.5
Max vridmoment	Nm	5.5
Chuck	mm	6
Vikt	kg	0.4

Batteri		
Batterityp		Li-jon
Ah-märkning		1,5 Ah

Ljudtrycksnivå enligt EN 62841:	
Ljudtryck ( $L_{pA}$ )	57 dB(A), osäkerhet (K) 5 dB(A)
Ljudtryck ( $L_{WA}$ )	68 dB(A), osäkerhet (K) 5 dB(A)

Totala vibrationsvärden (vektorsumman av tre axlar) enligt EN 62841:	
Skruvdragning utan slagfunktion ( $a_{hV}$ )	0,5 $\text{m/s}^2$ , osäkerhet (K) 1,5 $\text{m/s}^2$

### EG-försäkran om överensstämmelse MASKINDIREKTIVET



BCRTA01 skruvdragare

Black & Decker garanterar att produkterna som beskrivs under "Tekniska data" uppfyller:

2006/42/EG, EN62841-1:2015, EN62841-2-1:2018.

Dessa produkter överensstämmer även med direktiven 2014/30/EU och 2011/65/EU. Kontakta Black & Decker för ytterligare information på följande adress, eller se handbokens baksida.

Undertecknad är ansvarig för sammanställningen av tekniska data och gör denna försäkran på uppdrag av Black & Decker.



Ed Higgins

VD - Motordrivna konsumentverktyg  
Black & Decker Europe, 270 Bath Road, Slough,  
Berkshire, SL1 4DX  
Storbritannien  
2020-02-17

## Garanti

Black & Decker är säker på kvaliteten hos denna produkt och erbjuder kunder 24 månaders garanti från inköpsdatumet. Denna garanti är ett tillägg till dina lagstadgade rättigheter och påverkar inte dessa på något sätt. Garantin är giltig i de områden som tillhör medlemsstaterna i Europeiska unionen och det europeiska frihandelsområdet.

För yrkande under garantin måste yrkandet vara i enlighet med Black & Deckers villkor och du kommer att behöva skicka in bevis på köpet till försäljaren eller en auktoriserad reparatör. Villkoren för Black & Deckers tvååriga garanti och var du hittar din närmaste auktoriserade reparatör kan erhållas på internet på [www.2helpU.com](http://www.2helpU.com), eller genom att kontakta ditt lokala Black & Deckers kontor på adressen som anges i denna manual. Besök vår webbplats [www.blackanddecker.se](http://www.blackanddecker.se) för att registrera din nya Black & Decker-produkt samt för att få information om nya produkter och specialerbjudanden.

## Tiltenkt bruk

Din BLACK+DECKER™ BCRTA01 er beregnet for monteringsbruk som sekskantsnøkkel. Dette verktøyet er bare ment som et forbrukerverktøy.

## Sikkerhetsinstruksjoner

### Generelle sikkerhetsadvarsler for elektroverktøy



**Advarsel! Les alle sikkerhetsanvisninger, instruksjoner, illustrasjoner og spesifikasjoner som følger dette elektriske verktøyet.**

Manglende overholdelse av instruksjonene som er listet opp under kan resultere i elektroshokk, ild og/eller alvorlig skade.

**Ta vare på alle advarsler og instruksjoner for fremtidig bruk.** Begrepet "elektroverktøy" i advarslene gjelder nettdrevet elektroverktøy (med ledning) eller batteridrevet elektroverktøy (uten ledning).

### 1. Sikkerhet i arbeidsområdet

#### a. Hold arbeidsområdet rent og godt opplyst.

Rotete eller mørke områder er en invitasjon til ulykker.

- b. **Ikke arbeid med elektroverktøy i eksplosjonsfarlige omgivelser, for eksempel der det befinner seg brennbare væsker, gass eller støv.** Elektrisk verktøy skaper gnister som kan antenne støv eller gasser.
- c. **Hold barn og andre personer unna når du bruker et elektroverktøy.** Distraksjoner kan føre til at du mister kontrollen.

### 2. Elektrisk sikkerhet

- a. **Støpselet til verktøyet må passe til stikkkontakten. Aldri modifier støpselet på noen måte. Ikke bruk adapterstøpsler til jordede elektriske verktøy.** Umodifiserte støpsler og stikkontakter som passer vil redusere risikoen for elektrisk sjokk.
- b. **Unngå kroppskontakt med jordede overflater som rør, radiatorer, komfyrer og kjøleskap.** Det er økt risiko for elektrisk støt dersom kroppen din er jordnet.
- c. **Ikke utsett elektroverktøy for regn eller fuktighet.** Dersom det kommer vann inn i et elektrisk verktøy vil det øke risikoen for elektrisk sjokk.
- d. **Unngå uforvarlig behandling av ledningen. Aldri bruk ledningen til å bære, trekke eller dra ut støpselet til det elektriske verktøyet. Hold ledningen borte fra varme, olje, skarpe kanter eller bevegelige deler.** Skadede eller innviklede ledninger øker risikoen for elektrisk sjokk.
- e. **Når du bruker et elektroverktøy utendørs, må du bruke en skjøteledning som er egnet til utendørs bruk.** Bruk av en skjøteledning beregnet for utendørs bruk reduserer risikoen for elektrisk støt.
- f. **Hvis du ikke kan unngå å bruke elektroverktøy på et fuktig sted, må du bruke en strømforsyning som er beskyttet med jordfeilbryter (RCD).** Bruk av jordfeilbryter (RCD) reduserer risikoen for elektrisk støt.

### 3. Personlig sikkerhet

- a. **Vær oppmerksom, pass på hva du gjør, og vis fornuft når du arbeider med et elektroverktøy.** Ikke bruk et elektrisk verktøy dersom du er trøtt eller er påvirket av medikamenter, narkotika eller alkohol. Ett øyeblikks uoppmerksomhet under bruk av elektriske verktøy kan føre til alvorlig personskade.
- b. **Bruk personlig verneutstyr. Bruk alltid vernebriller.** Verneutstyr slik som støvmaske, skliskre vernesko, hjelm, eller hørselsvern brukt under passende forhold vil redusere personskader.
- c. **Forhindre utilsiktet start. Kontroller at bryteren står i posisjon «av» før du kobler til strømkilden og/eller batteripakken, og før du tar opp eller bærer verktøyet.** Å bære elektriske verktøy med fingeren på bryteren eller å sette inn støpselet mens elektriske verktøy har bryteren på økter faren for ulykker.

- d. **Fjern eventuelt innstillingsverktøy eller skruverktøy før du slår på elektroverktøyet.** Et skruverktøy eller en nøkkel som fortsatt er festet til en roterende del av elektroverktøyet, kan føre til personskade.
- e. **Ikke strekk deg for langt. Ha godt fotfeste og stå støtt hele tiden.** Dette fører til at du har bedre kontroll over det elektriske verktøyet ved uventede situasjoner.
- f. **Bruk egnede klær. Ikke ha på deg løstsittende klær eller smykker. Hold hår, antrekk og hansker borte fra bevegelige deler.** Løstsittende klær, smykker og langt hår kan bli fanget opp av bevegelige deler.
- g. **Hvis det kan monteres støvavsug- og oppsamlingsinnretninger, må du forvise deg om at disse er tilkoblet og brukes på riktig måte.** Bruk av støvopsamlere kan redusere støvrelaterede farer.
- h. **Ikke la erfaring med hyppig bruk av verktøy la deg bli likegyldig og ignorere verktøyets sikkerhetsregler.** En uforsiktig handling kan føre til alvorlig personskade på brokdelen av et sekund.
- 4. Bruk og vedlikehold av elektriske verktøy**
- a. **Ikke bruk makt på elektroverktøyet. Bruk det elektriske verktøyet som situasjonen krever.**  
Det riktige elektriske verktøyet vil gjøre jobben bedre og tryggere ved den hastigheten det ble konstruert for.
- b. **Ikke bruk elektroverktøyet hvis du ikke kan slå det på og av med bryteren.** Ethvert elektrisk verktøy som ikke kan kontrolleres med bryteren er farlig og må repareres.
- c. **Trekk støpselet ut av stikkkontakten og/eller koble fra batteripakken på elektroverktøyet før du utfører innstillinger, bytter tilbehør eller legger elektroverktøyet bort for lagring.** Slike preventive sikkerhetsforanstaltninger reduserer risikoen for å starte det elektriske verktøyet ved et uhell.
- d. **Elektroverktøy som ikke er i bruk, må oppbevares utilgjengelig for barn. Ikke la verktøyet bli brukt av personer som ikke er fortrolige med det, eller som ikke kjenner disse instruksjonene.** Elektriske verktøy er farlige i hendene på utrenede brukere.
- e. **Sørg for vedlikehold av elektroverktøy og tilbehør. Undersøk om bevegelige deler er feiljustert eller blokkert, om deler er skadet, og om det er andre forhold som kan påvirke elektroverktøyets funksjon. Dersom det er skadet, få verktøyet reparert før neste bruk.** Mange ulykker forårsakes av dårlig vedlikeholdte verktøy.
- f. **Hold skjæreverktøy skarpe og rene.** Godt vedlikeholdte skjæreverktøy med skarpe skjærekanten setter seg mindre sannsynlig fast og er lettere å kontrollere.
- g. **Bruk elektroverktøy, tilbehør, bor osv. i henhold til disse instruksjonene. Ta hensyn til arbeidsforholdene og arbeidet som skal utføres.**
- Bruk av det elektriske verktøyet for oppgaver som er forskjellige fra de som er tiltenkt kan føre til en farlig situasjon.
- h. **Hold håndtakene og gripeflatene tørre, rene og frie for olje og fett.** Glatte håndtak og gripeflater forhindrer trygg håndtering og kontroll av verktøyet i uventede situasjoner.
- 5. Bruk og stell av batteriverktøy**
- a. **Ladningen skal bare skje med den laderen som produsenten har spesifisert.** En lader som passer for en type batteripakke kan føre til risiko for brann dersom den brukes på en annen batteripakke.
- b. **Bruk elektroverktøy bare sammen med spesifikt angitte batteripakker.** Bruk av andre batteripakker kan føre til risiko for personskade og brann.
- c. **Når batteripakken ikke er i bruk, må du oppbevare den atskilt fra andre metallgjenstander som binders, mynter, nøkler, spiker, skruer eller andre små metallgjenstander som kan opprette en forbindelse fra en terminal til en annen.** Kortslutning av batteripolene mot hverandre kan føre til brannskade eller brann.
- d. **Ved feilaktig bruk kan det komme væske ut av batteriet, unngå kontakt med den. Dersom du kommer i kontakt med den, skyll av med vann. Dersom du får væsken i øynene, søk legehjelp.** Væske som kommer ut av batteriet kan føre til irritasjon eller brannskader.
- e. **Batteripakke eller verktøy som er skadet eller modifisert skal ikke brukes.** Batterier som er skadet eller modifisert kan ha uventet oppførsel og føre til brann, eksplosjon eller personskader.
- f. **Batteripakken skal ikke utsettes for brann eller for høy temperatur.** Eksponering for brann eller temperaturer over 130 °C kan føre til eksplosjon.
- g. **Følg alle ladeinstruksjoner og ikke lade batteripakken eller verktøyet utenfor temperaturområdet som angitt i bruksanvisningen.** Feil lading eller ved temperaturer utenfor det angitt området kan skade batteriet og øke faren for brann.
- 6. Service**
- a. **Elektroverktøyet skal repareres av kvalifisert personell og bare med originale reservedeler.** Dette vil sikre at verktøyets sikkerhet blir ivaretatt.
- b. **Skadede batteripakker skal aldri repareres.** Service på batteripakker skal kun utføres av produsenten eller autoriserte serviceverksteder.
- Ytterligere sikkerhetsadvarsler for elektroverktøy**



**Advarsel!** Ytterligere sikkerhetsadvarsler for skrutrekkere.

- ◆ **Hold elektroverktøyet i de isolerte grepsoverflatene når du utfører et arbeid med festeanordningen kan komme i kontakt med skjulte ledninger eller verktøyets egen ledning.** Skruer som kommer i kontakt med en strømførende ledning kan føre til at eksponerte metalldele på elektroverktøyet blir strømførende, og kan gi brukeren støt.
- ◆ **Bruk hørselevner når du bruker slagtrekkere.** Å bli utsatt for støt kan forårsake hørselstap.
- ◆ **Bruk hjelpehåndtak som følger med verktøyet.** Å miste kontroll kan forårsake personskade.
- ◆ **Bruk tvinger eller annen praktisk måte å sikre og holde arbeidsstykket på et stabilt underlag.** Å holde arbeidsstykket i hendene eller mot kroppen er ustabil og kan føre til at du mister kontroll.
- ◆ **Før du setter inn skruer og lignende i vegger, gulv eller tak, kontroller plasseringen av kabler og rør.**
- ◆ **Bruksområdet er beskrevet i denne bruksanvisningen.**
- ◆ **Hvis du bruker annet tilbehør, kobler til annet utstyr eller bruker dette produktet til andre oppgaver enn det som er anbefalt i denne håndboken, kan det medføre fare for personskader og/eller materielle skader.**

#### Sikkerhetsinstruksjoner ved bruk av lange bor

- ◆ **Bruk aldri ved høyere hastigheter enn maks hastighet for boret.** Ved høyere hastigheter er det en sjanse for at boret bøyer seg hvis den roterer fritt uten kontakt med arbeidsstykket.
- ◆ **Start alltid å bore ved lav hastighet, og med enden av boret i kontakt med arbeidsstykket.** Ved høyere hastigheter er det en sjanse for at boret bøyer seg hvis den roterer fritt uten kontakt med arbeidsstykket.
- ◆ **Påfør kun trykk i en rett linje med bit-en, og trykk ikke for hardt.** Boret kan bli bøyd eller ødelagt, eller det kan føre til tap av kontroll eller personskade.

#### Andre personers sikkerhet

- ◆ Dette apparatet er ikke ment for bruk av personer (inkludert barn) med redusert fysiske, sensoriske eller mentale evner, eller mangel på erfaring og kunnskap, med mindre de får tilsyn eller har blitt opplært i bruk av apparatet av en person ansvarlig for deres sikkerhet.
- ◆ Barn må holdes under oppsyn, sørg for at de ikke leker med apparatet.

#### Restrisikoer

Når verktøyet brukes, kan det oppstå ytterligere risikoer som kanskje ikke er beskrevet i de medfølgende sikkerhetsadvarslene. Disse risikoene kan bli forårsaket av feil bruk, langvarig bruk osv.

Selv om de relevante sikkerhetsbestemmelsene blir fulgt, og sikkerhetstiltakene blir gjennomført, kan visse gjenværende risikoer ikke unngås. Disse inkluderer:

- ◆ Personsikader som forårsakes av berøring av en roterende/bevegelig del.
- ◆ Personsikader som oppstår ved skifte av deler, blader eller tilbehør.
- ◆ Personsikader som skyldes for lang tids bruk av verktøyet. Når du bruker et verktøy i lange perioder, må du sørge for å ta regelmessige pauser.
- ◆ Hørselskader.
- ◆ Helsefare for forårsaket av innånding av støv som utvikler seg når du bruker verktøyet (eksempel: arbeid med tre, spesielt eik, bøk og MDF).

#### Vibrasjon

Vibrasjonsemissionsverdien som er angitt under tekniske data og samsvarserklæring, er blitt målt i henhold til en standard testmetode som er angitt i EN62841, og kan brukes til å sammenligne et verktøy med et annet.

Den oppgitte vibrasjonsemissionsverdien kan også brukes til en foreløpig vurdering av eksponering.

**Advarsel!** Vibrasjonsemissionsverdien under faktisk bruk av elektroverktøyet kan avvike fra den oppgitte verdien avhengig av måten verktøyet blir brukt på. Vibrasjonsnivået kan øke over nivået som er oppgitt.

Når det vurderes vibrasjonseksponering for å avgjøre hvilke sikkerhetstiltak som kreves ifølge 2002/44/EF, for å beskytte personer som bruker elektroverktøy regelmessig til arbeidsformål, skal det, når vibrasjonseksponeringen anslås, tas hensyn til de faktiske bruksforholdene og måten verktøyet blir brukt på. Dette inkluderer å ta hensyn til alle deler av brukssyklusen, for eksempel når verktøyet er avslått, når det går på tomgang og når utløseren er trykket inn.

#### Etiketter på verktøyet

De følgende symbolene sammen med datokode vises på apparatet:



**Advarsel!** Brukeren må lese håndboken for å redusere risikoen for personskade.



Ikke se direkte på lampen når den er på

#### Ytterligere sikkerhetsinstruksjoner for batterier og ladere

##### Batterier

- ◆ Forsøk aldri å åpne av noen årsak.
- ◆ Ikke utsett batteriet for vann.
- ◆ Ikke oppbevar det på steder hvor temperaturen kan komme over 40 °C.
- ◆ Lad bare ved temperaturer mellom 10°C og 40°C.
- ◆ Følg instruksjonene i avsnittet "Miljøvern" når du skal kaste batterier.



Ikke forsøk å lade opp skadede batterier.

## Funksjoner

Dette verktøyet inneholder enkelte av eller alle funksjonene nedenfor:

1. På-/av-bryter
2. Glidebryter for fremover/bakover
3. Bit holder-chuck
4. Krage/LED-arbeidslampe
5. Sekskantnøkkel
6. Ladeport
7. USB-kontakt

## Lading av batteriet (figur A)

- ◆ Sett USB-kontakten (7a) i ladeporten (6).
- ◆ Plugg USB-kontakten (7b) inn i en USB-strømforsyning (medfølger ikke).
- ◆ La verktøyet være tilkoblet laderen i opp til 4 timer.
- ◆ Ladeindikatoren (6a) lyser under ladingen.
- ◆ Når ladingen er ferdig, slår ladeindikatoren (6a) seg av.

## Montering og demontering av en sekskantnøkkel (figur B og C)

**Advarsel!** Pass på at forover/revers skyvebryter (2) er i låst posisjon (midtstilling).

- ◆ Vri kragen (4) mot klokken får å åpne bit-holderen (3).
- ◆ Sett sekskantnøkkelen (5) inn i bit holder-chucken (3) til den kommer i kontakt med den magnetiske skiven (3a) på enden av kanalen, pass på at den sitter midt i chuck-kroppen.
- ◆ Stram til kragen (4) med klokken til sekskantnøkkelen (5) sitter fast.
- ◆ Et klips på krageforlengelsen (3b) lar deg feste større sekskantnøkler. Sett på som vist i figur C.

**Advarsel!** Brukes kun med den korte enden av sekskantnøkkelen i sporet. Dersom sekskantnøkkelen henger ut over kragen kan det føre til skader

## LED-arbeidslampe (figur D)

LED-arbeidslampen (4) aktiveres automatisk når på/av bryteren (1) trykkes inn. Lampen lyser også når utløseren blir trykket inn og glidebryteren for fremover/bakover (2) er i låst stilling (midtstilling).

## Velge rotasjonsretning (figur E)

For boring og stramming av sekskantskruer brukes rotasjon fremover. For å løsen sekskantskruer brukes rotasjon bakover.

- ◆ Når du skal velge rotasjon fremover, skyver du glidebryteren (2) for fremover/bakover til høyre.
- ◆ Når du skal velge rotasjon i revers, skyver du glidebryteren (2) for fremover/bakover til venstre.

- ◆ Når du skal låse verktøyet, setter du glidebryteren for fremover/bakover i midtstilling.

## Festing

- ◆ Velg rotasjon fremover eller revers med glidebryteren for fremover/bakover (2).
- ◆ rykk på av/på-knappen (1) for å slå verktøyet på.
- ◆ Slipp opp på/av-bryteren (1) for å slå verktøyet av.

## Råd for optimal bruk

### Bruk som skrutrekker

- ◆ Bruk alltid riktig type og størrelse av sekskantnøkkel.
- ◆ Hvis sekskantbolter er vanskelige å stramme, prøver du å bruke litt flytende vaskemiddel eller såpe som smøremiddel.
- ◆ Hold alltid verktøyet og sekskantnøkkelen i rett linje med sekskantbolten.

**Merk:** Denne enheten kan også bruke standard sekskant-bits.

### Vedlikehold

BLACK+DECKER-verktøyet ditt er konstruert for å være i drift over lengre tid med et minimum av vedlikehold. For at den skal fungere tilfredsstillende over tid, er det viktig å sørge for riktig stell av verktøyet og regelmessig renhold.

**Advarsel!** Før du utfører vedlikehold på verktøyet, må du koble fra laderen.

- ◆ Rengjør motorhuset regelmessig med en fuktig klut. Ikke bruk slipende eller løsemiddelbaserte rengjøringsmidler.

### Miljøvern



Separat avfallshåndtering. Produkter og batterier merket med dette symbolet skal ikke kastes i vanlig husholdningsavfall.

Produkter og batterier inneholder materialer som kan gjenbrukes eller gjenvinnes for å redusere behovet for nye råmaterialer.

Vennligst lever elektrisk utstyr og batterier til gjenbruk i henhold til lokale retningslinjer. Mer informasjon finner du på [www.2helpU.com](http://www.2helpU.com)

### Tekniske data

		BCRTA01
Spenning	$V_{DC}$	3,6
Ubelastet hastighet	$\text{min}^{-1}$	180
Fastkjøringsmoment	Nm	5,5
Maks. dreiemoment	Nm	5,5
Chuck	mm	6
Vekt	kg	0,4

Batteri		
Batteritype		Li-Ion
Ah-klassifisering		1,5 Ah

## Lydtrykknivå i henhold til EN 62841:

Lydtrykk ( $L_{pa}$ ) 57 dB(A), usikkerhet (K) 5 dB(A)Lydeffekt ( $L_{wa}$ ) 68 dB(A), usikkerhet (K) 5 dB(A)

## Totale vibrasjonsverdier (triaks vektorsum) bestemt i samsvar med EN 62841:

Skruing uten slag ( $a_{hv}$ ) 0,5 m/s<sup>2</sup>, usikkerhet (K) 1,5 m/s<sup>2</sup>

## EF-samsvarerklæring

MASKINDIREKTIVET



BCRTA01 trekker

Black & Decker erklærer at disse produktene, som er beskrevet

under «Tekniske data», er i samsvar med:

2006/42/EC, EN62841-1:2015, EN62841-2-1:2018.

Disse produktene er også i samsvar med direktiv 2014/30/EU og 2011/65/EU. Hvis du ønsker mer informasjon, kan du kontakte Black & Decker på adressen under eller se baksiden av bruksanvisningen.

Undertegnede er ansvarlig for utarbeidelsen av den tekniske dokumentasjonen og gir denne erklæringen på vegne av Black & Decker.

Ed Higgins

Director – Consumer Power Tools  
Black & Decker Europe, 270 Bath Road, Slough,  
Berkshire, SL1 4DX  
Storbritannia  
17.02.2020

## Garanti

Black & Decker er trygg på kvaliteten av produktene sine og tilbyr en 24 måneders garanti fra kjøpsdato. Denne garantierklæringen kommer i tillegg til dine lovbestemte rettigheter og er ikke i konflikt med disse. Garantien er gyldig innen områdene tilhørende medlemmlandene i den Europeiske Union (EU) og det Europeiske Frihandelsområdet (EFTA). For å ta garantien i bruk må kravet være i samsvar med kjøpsbetingelsene fra Black&Decker og du må vise kjøpskvittering til forhandleren eller til et autorisert serviceverksted.

Betingelsene for Black & Deckers 2 års garanti og adressen til din nærmeste autoriserte serviceverksted kan du finne på internett under [www.2helpU.com](http://www.2helpU.com), eller ved å kontakte ditt lokale Black & Decker kontor, adressen er angitt i denne bruksanvisningen.

Besøk våre nettsider på [www.blackanddecker.no](http://www.blackanddecker.no) for å registrere ditt nye Black & Decker-produkt og for å få informasjon om nye produkter og spesialtilbud.

(Oversættelse af de oprindelige instruktioner)

## Tilsigtet brug

Din BLACK+DECKER™ BCRTA01-skruemaskine er designet til monteringsopgaver med skruenøgle. Værktøjet er kun beregnet til privat brug.

## Sikkerhedsinstruktioner

## Generelle sikkerhedsadvarsler vedrørende elværktøj



**Advarsel! Læs alle sikkerhedsadvarsler, instruktioner, illustrationer og specifikationer, der følger med dette elværktøj.** Manglende overholdelse af alle nedenstående instruktioner kan medføre elektrisk stød, brand og/eller alvorlige kvæstelser.

## Gem alle advarsler og instruktioner til fremtidig reference.

Begrebet "elværktøj", der benyttes i nedenstående advarsler, henviser til netdrevet elværktøj (med netledning) eller batteridrevet værktøj (uden netledning).

## 1. Sikkerhed i arbejdsområdet

- Hold arbejdsområdet rent og ordentligt oplyst.** Rodede eller mørke områder giver anledning til ulykker.
- Brug ikke elværktøj i eksplosive omgivelser, f.eks. hvor der er brændbare væsker, gasser eller støv.** Elværktøj danner gnister, der kan antænde støv eller dampe.
- Hold børn og andre personer i nærheden på afstand, når der arbejdes med elværktøj.** Distractioner kan medføre, at du mister kontrollen.

## 2. Elektricitet og sikkerhed

- Elværktøjets stik skal passe til kontakten. Stikket må aldrig modificeres på nogen måde. Undlad at bruge adapterstik sammen med (jordforbundet) elektrisk værktøj.** Umodificerede stik og dertil passende stikkontakter reducerer risikoen for elektrisk stød.
- Undgå kropskontakt med jordforbundne overflader som f.eks. rør, radiatorer, komfurer og køleskabe.** Der er øget risiko for elektrisk stød, hvis din krop er jordforbundet.

- c. **Udsæt ikke elværktøj for regn, og brug det ikke, hvor omgivelserne er våde.** Hvis der trænger vand ind i et elektrisk værktøj, øges risikoen for elektrisk stød.
- d. **Pas på, at ledningen ikke beskadiges. Brug aldrig ledningen til at bære, trække værktøjet eller trække det ud af stikkontakten. Hold ledningen borte fra varme, olie, skarpe kanter og bevægelige dele.** Beskadigede eller sammenfiltrede ledninger øger risikoen for elektrisk stød.
- e. **Hvis elværktøj benyttes i det fri, skal der benyttes en forlængerledning, som er godkendt til udendørs brug.** Brug af en ledning, der er egnet til udendørs brug, reducerer risikoen for elektrisk stød.
- f. **Brug en strømkilde med fejlstøvsrelæ, hvis det er nødvendigt at anvende elværktøj på fugtige steder.** Ved at benytte en fejlstrømsafbryder reduceres risikoen for elektrisk stød.
3. **Personsikkerhed**
- a. **Vær opmærksom, hold øje med, hvad du laver og brug elværktøjet fornuftigt. Betjen ikke værktøjet, hvis du er træt, påvirket af narkotika, alkohol eller medicin.** Et øjeblikvis uopmærksomhed under anvendelse af et elektrisk værktøj kan forårsage alvorlige kvæstelser.
- b. **Brug personligt beskyttelsesudstyr. Bær altid beskyttelsesbriller.** Det er muligt at reducere risikoen for kvæstelser ved alt efter omstændighederne at anvende det passende sikkerhedsudstyr såsom støvmaske, skridsikre sikkerhedssko, sikkerhedshjelm eller hørevern.
- c. **Træf forholdsregler, så utilsigtet start ikke er mulig. Kontrollér, at afbryderkontakten står på slukket, inden værktøjet tilsluttes strømkilden og/eller batteriet, samles op eller bæres.** Når elektrisk værktøj bæres med fingeren på kontakten eller tilsluttes, når kontakten er tændt, giver det anledning til ulykker.
- d. **Fjern indstillingsnøgle eller skruenøgle, inden elværktøjet startes.** En skruenøgle eller anden nøgle, der bliver siddende på en roterende del af elektrisk værktøj, kan give anledning til personskaade.
- e. **Stræk dig ikke for langt. Hold hele tiden en god fodstilling og balance.** Dette udgør at du har bedre kontrol over det elektriske værktøj, når uventede situationer opstår.
- f. **Brug egnet arbejdstøj. Bær ikke løst tøj eller smykker. Hold dit hår, tøj og handske væk fra bevægelige dele.** Løstsiddende tøj, smykker eller langt hår kan blive fanget i bevægelige dele.
- g. **Hvis der kan monteres støvudsugnings- og opsamlingsudstyr, skal dette tilsluttes og benyttes korrekt.** Anvendelse af støvopsamlingsudstyr kan begrænse farer forårsaget af støv.
- h. **Lad ikke kendskab fra hyppig brug af værktøjer gøre dig uforsigtig og få dig til at ignorere principperne for værktøjsikkerhed.** En uforsigtig handling kan forårsage alvorlig personskaade på en brøkdal af et sekund.
4. **Brug og vedligeholdelse af elværktøj**
- a. **Overbelast ikke elværktøjet. Brug det elværktøj, der er bedst egnet til det arbejde, der skal udføres.** Det korrekte elværktøj klarer opgaven bedre og mere sikkert med den effekt, som det er konstrueret til.
- b. **Brug ikke elværktøjet, hvis afbryderkontakten er defekt.** Alt elektrisk værktøj, der ikke kan kontrolleres med kontakten, er farligt og skal repareres.
- c. **Træk stikket ud af stikkontakten og/eller batteriet inden indstilling, tilbehørsudskiftning eller opbevaring af elværktøjet.** Sådanne forebyggende sikkerhedsforanstaltninger mindsker risikoen for, at værktøjet startes utilsigtet.
- d. **Opbevar ubenyttet elværktøj uden for børns rækkevidde. Lad aldrig personer, der ikke er fortrolige med elværktøjet, eller som ikke har læst denne vejledning, benytte maskinen.** El-værktøj er farligt i hænderne på personer, som ikke er instrueret i brugen deraf.
- e. **Elværktøj og tilbehør skal vedligeholdes. Kontroller, om bevægelige dele er skæve og ikke sidder fast, og om delene er brækket eller beskadiget, så elværktøjets funktion påvirkes.** Hvis det elektriske værktøj er beskadiget, skal det repareres før brug. Mange ulykker er forårsaget af dårligt vedligeholdt værktøj.
- f. **Hold skæreværktøj skarpt og rent.** Ordentligt vedligeholdt skæreværktøj med skarpe skærekanter har mindre tilbøjelighed til at binde og er lettere at styre.
- g. **Brug elværktøjet, tilbehøret, værktøjsindsatser osv. i overensstemmelse med disse instruktioner under hensyntagen til arbejdsforholdene og arbejdet, der skal udføres med værktøjet.** Brug af elektrisk værktøj til andre opgaver end dem, det er beregnet til, kan resultere i en farlig situation.
- h. **Hold håndtagene og håndtagsfladerne tørre, rene og fri for olie og fedt.** Glatte håndtag og gribeplader giver ikke en sikker håndtering og kontrol af værktøjet i uventede situationer.
5. **Brug og pleje af batteriværktøj**
- a. **Genoplad kun med den oplader, som producenten har angivet.** En oplader, der passer til en type batteripakke, kan udgøre en risiko for brand, når den bruges til en anden type.
- b. **Elværktøj må kun bruges med batteripakker, der er beregnet hertil.** Brugen af andre batteripakker kan medføre personskaade og brand.

- c. Når batteripakken ikke er i brug, skal den holdes på afstand af andre metalgenstande, f.eks. papirclips, mønter, nøgler, søm, skruer og andre små metalgenstande, som kan skabe forbindelse mellem de to poler. Kortslutning af batteriet kan forårsage forbrændinger eller brand.
- d. Under grove forhold kan væske sive ud fra batteriet; undgå kontakt. Hvis der opstår kontakt ved et uheld, skyl med vand. Hvis væske kommer ind i øjnene, søg omgående lægehjælp. Væske, der siver ud fra batteriet, kan fremkalde irritationer eller forbrændinger.
- e. Brug ikke en batteripakke eller et værktøj, der er beskadiget eller modificeret. Beskadigede eller modificerede batterier kan udvise uforudsigelig adfærd, hvilket kan resultere i brand, eksplosion eller risiko for personskade.
- f. Udsæt ikke en batteripakke eller et værktøj for ild eller for høj temperatur. Eksponering for ild eller temperatur på over 130 °C kan forårsage eksplosion.
- g. Følg alle opladningsanvisninger, og undlad at oplade batteripakken eller værktøjet uden for det temperaturinterval, der er specificeret i instruktionerne. En forkert opladning eller opladning uden for det specificerede interval kan beskadige batteriet og øge risikoen for brand.

## 6. Service

- a. Lad kun fagkyndige personer reparere elværktøjet og benyt kun originale reservedele. Derved sikres det, at værktøjets driftssikkerhed opretholdes.
- b. Beskadigede batteripakker må aldrig serviceres. Service af batteripakker bør kun udføres af producenten eller autoriserede serviceudbydere.

## Yderligere sikkerhedsadvarsler for elværktøj



**Advarsel!** Yderligere sikkerhedsadvarsler for skruemaskiner.

- ◆ Hold i elværktøjets isolerede gribeplader, når du udfører arbejde, der indebærer en risiko for, at beslaget kommer i kontakt med skjulte ledninger eller værktøjets egen ledning. Hvis beslag kommer i kontakt med en strømførende ledning, bliver elværktøjets blotlagte dele strømførende, så brugeren får stød.
- ◆ Bær høreværn sammen med slagskruetrækkere. Udsættelse for støj kan medføre høretab.
- ◆ Brug de ekstra håndtag, der følger med værktøjet. Tab af kontrol kan medføre personskade.
- ◆ Brug klemmer eller en anden praktisk måde for at fastgøre og understøtte arbejdsområdet til et stabilt underlag. Hvis du holder fast i arbejdsområdet med din hånd eller krop, vil det være ustabil, og det kan medføre, at du mister kontrollen over det.

- ◆ Kontroller placeringen af ledninger og rør, inden der skrues beslag i vægge, gulve eller lofter.
- ◆ Den tilsigtede anvendelse er beskrevet i denne betjeningsvejledning.
- ◆ Brug af ekstraudstyr eller tilbehør eller udførelse af andre opgaver med dette værktøj end de, der anbefales i denne vejledning, kan medføre risiko for personskade og/eller materiel skade.

## Sikkerhedsinstruktioner for at anvende lange borekroner

- ◆ Anvend aldrig hurtigere hastighed end det maksimale angivet på borekronen. Ved højere hastigheder vil boret sandsynligvis bøjes, hvis det får lov til at rotere frit uden at komme i berøring med emnet, hvilket kan resultere i personskade.
- ◆ Start altid med at bore ved lav hastighed og med spidsen af boret i kontakt med overfladen. Ved højere hastigheder vil boret sandsynligvis bøjes, hvis det får lov til at rotere frit uden at komme i berøring med emnet, hvilket kan resultere i personskade.
- ◆ Begynd altid med at bore i lav hastighed og med borets spidsen i kontakt med emnet. Bør kan bøje og forårsage brud eller tab af kontrol, hvilket kan resultere i personskade.

## Andres sikkerhed

- ◆ Dette værktøj er ikke beregnet til anvendelse af personer (inklusive børn) med nedsatte fysiske, sensoriske eller mentale handicaps eller med mangel på erfaringer eller viden, medmindre de er under overvågning eller har fået instruktioner i brugen af udstyret af en person, der er ansvarlig for deres sikkerhed.
- ◆ Børn skal holdes under opsyn, så det sikres, at de ikke leger med værktøjet.

## Tilbageværende risici

Der kan opstå yderligere, tilbageværende risici under brugen af apparatet, som muligvis ikke behandles i de vedlagte sikkerhedsadvarsler. Disse risici kan opstå pga. forkert anvendelse, langvarig brug etc.

Selv ved overholdelse af relevante sikkerhedsforskrifter og anvendelse af sikkerhedsudstyr kan visse resterende risici ikke undgås. Disse omfatter:

- ◆ Tilskadekomst forårsaget af berøring af roterende/ bevægelige dele.
- ◆ Tilskadekomst forårsaget af udskiftning af dele, klinger eller tilbehør.
- ◆ Tilskadekomst forårsaget af langvarig brug af et værktøj. Husk at holde pause jævnligt ved brug af et apparat i længere tid.
- ◆ Hørenedsættelse.



- ◆ Sundhedsrisici forårsaget af indånding af støv, der genereres ved brug af værktøjet (eksempel: arbejde med træ, især, eg, bøg og MDF.)

## Vibration

De angivne værdier for udsendelse af vibration anført under de tekniske data og overensstemmelseserklæringen er målt i henhold til standardtestmetoden i EN62841 og kan bruges til at sammenligne ét værktøj med et andet.

Den angivne vibrationsemissionsværdi kan også bruges i forbindelse med en foreløbig vurdering af eksponeringen.

**Advarsel!** Værdien for vibrationsemission ved faktisk brug af elværktøjet kan afvige fra den angivne værdi afhængig af måden, værktøjet anvendes på. Vibrationsniveauet kan overstige det angivne niveau.

I vurderingen af eksponeringen for vibration med henblik på fastsættelse af sikkerhedsforanstaltninger som krævet i 2002/44/EF til beskyttelse af personer, der jævnligt anvender elværktøj i deres arbejde, skal der tages hensyn til de faktiske betingelser under brugen, og måden værktøjet bruges på, herunder alle arbejds cyklussens afsnit, f.eks. perioder, hvor værktøjet er slukket, og hvor det kører i tomgang, tillige med startperioderne.

## Mærkatet på værktøjet

Følgende piktogrammer vises på værktøjet sammen med datokoder:



**Advarsel!** Brugeren skal læse brugervejledningen for at reducere risikoen for kvæstelser.



Kig ikke ind i lampen, når den er tændt

## Yderligere sikkerhedsvejledninger for batterier og ladere

### Batterier

- ◆ Forsøg aldrig at åbne den af en eller anden grund.
- ◆ Batteriet må ikke udsættes for fugt.
- ◆ Må ikke opbevares på steder, hvor temperaturen kan overstige 40°C.
- ◆ Oplad kun ved omgivelsestemperaturer på mellem 10°C og 40°C.
- ◆ Følg vejledningen i afsnittet "Miljøbeskyttelse" ved bortskaffelse af batterier.



Forsøg ikke at oplade beskadigede batterier.

## Funktioner

Dette værktøj leveres med nogle eller alle de følgende egenskaber:

1. Afbryderkontakt
2. Skyder til skift af retning
3. Bitholderpatron
4. Krave/LED-arbejdslys
5. Sekskantnøgle
6. Opladningsåbning
7. USB-konnektor

## Opladning af batteriet (fig. A)

- ◆ Indsæt USB-konnektoren (7a) i opladningsåbningen (6).
- ◆ Sæt USB-konnektoren (7b) ind i en USB-strømforsyning (medfølger ikke).
- ◆ Lad værktøjet være tilsluttet laderen i op til 4 timer.
- ◆ Opladningsindikatoren (6a) lyser under opladning.
- ◆ Når den er helt opladet, slukkes opladningsindikatoren (6a).

## Montering og afmontering af en sekskantnøgle (fig. B, C)

**Advarsel!** Sørg for at skyderen til skift af retning (2) står i låst position (midterstilling).

- ◆ Drej kraven (4) mod uret for at åbne bitholderpatronen (3).
- ◆ Indsæt sekskantnøglen (5) i bitholderpatronen (3), indtil den kommer i kontakt med magnetskiven (3a) for enden af kanalen, mens du sørger for, at den er i midten for patronlegemet.
- ◆ Stram kraven (4) med uret, indtil sekskantnøglen (5) er sikker.
- ◆ Der er en klemme på forlængerkraven (3b) for at lette større sekskantnøgler. Monter som vist i figur C.

**Advarsel!** Brug kun med den korte ende af sekskantnøglen, der sidder i åbningen. Der kan forekomme personskade, hvis sekskantnøglen hænger over kraven

## LED-arbejdslys (fig. D)

LED-arbejdslyset (4) aktiveres automatisk, når der trykkes på tænd/sluk-kontakten (1). LED'en lyser også, når der trykkes på kontakten, og skyderen til skift af retning (2) står i låst position (midterstilling).

## Valg af omløbsretning (fig. E)

Brug forlæns omløb ved boring og tilspænding af sekskantskruer. Brug baglæns omløb ved løsning af sekskantskruer.

- ◆ Tryk skyderen til skift af retning (2) til forreste position for at vælge den højre position.
- ◆ Tryk skyderen til skift af retning (2) til bageste position for at vælge den venstre position.
- ◆ Lås værktøjet ved at sætte skyderen til skift af retning i midterstilling.

## Fastgørelse

- ◆ Vælg forlæns eller baglæns omløb vha. skyderen til skift af retning (2).
- ◆ Tænd for værktøjet ved at trykke på tænd/sluk-kontakten (1).
- ◆ Sluk for værktøjet ved at slippe tænd/sluk-kontakten (1).

## Gode råd mhp. optimal brug

### Iskrugning

- ◆ Brug altid den rette type og størrelse sekskantnøgle.
- ◆ Prøv at smøre lidt opvaskemiddel eller sæbe på sekskantskruerne, hvis de er vanskelige at spænde.
- ◆ Hold altid værktøjet og sekskantnøglen i lige linje med sekskantskruen.

**Bemærk:** Der kan også anvendes almindelige sekskantskruebits med denne enhed.

### Vedligeholdelse

Dit BLACK+DECKER-værktøj er beregnet til brug gennem lang tid med et minimum af vedligeholdelse. Vedvarende tilfredsstillende funktion er afhængig af, om apparatet plejes korrekt og rengøres regelmæssigt.

**Advarsel!** Tag laderen ud af stikkontakten, inden der foretages rengøring eller vedligeholdelse på værktøjet.

- ◆ Rengør med jævne mellemrum motorhuset med en fugtig klud. Der må ikke bruges skuremidler eller opløsningsmidler.

### Miljøbeskyttelse



Særskilt bortskaftelse. Produkter og batterier mærket med dette symbol må ikke bortskaftes sammen med normalt husholdningsaffald.

Produkter og batterier indeholder materialer, der kan genvindes eller genbruges og således reducere efterspørgslen efter råvarer.

Genbrug venligst elektriske produkter og batterier i henhold til lokale bestemmelser. Yderligere informationer findes på [www.2helpU.com](http://www.2helpU.com)

### Tekniske data

		BCRTA01
Spænding	V <sub>DC</sub>	3.6
Tomgangshastighed	min <sup>-1</sup>	180
Stilstandsmoment	Nm	5.5
Maks. moment	Nm	5.5
Patron	mm	6
Vægt	kg	0.4

Batteri		
Batteritype		Li-Ion
Ah-kapacitet		1.5Ah

Lydtrykniveau i henhold til EN 62841:
Lydtryk (L <sub>pa</sub> ) 57 dB(A), usikkerhed (K) 5 dB(A)
Lydeffekt (L <sub>wa</sub> ) 68 dB(A), usikkerhed (K) 5 dB(A)

Samlede værdier for vibration (triaksial vektorsum) i henhold til EN 62841:
Skruoopgaver uden slag (a <sub>h</sub> ) 0.5 m/s <sup>2</sup> , usikkerhed (K) 1,5 m/s <sup>2</sup>

## EF-overensstemmelseserklæring

MASKINDIREKTIV



BCRTA01 Skruemaskine

Black & Decker erklærer, at produkterne beskrevet under "Tekniske data" er i overensstemmelse med:

2006/42/EC, EN62841-1:2015, EN62841-2-1:2018.

Disse produkter er endvidere i overensstemmelse med direktiv 2014/30/EU og 2011/65/EU. Kontakt Black & Decker på nedenstående adresse eller se vejledningens bagside for at få yderligere oplysninger.

Undertegnede er ansvarlig for udarbejdelsen af de tekniske data og fremsætter denne erklæring på vegne af Black & Decker.

Ed Higgins

Direktør – Consumer Power Tools  
Black & Decker Europe, 270 Bath Road, Slough,  
Berkshire, SL1 4DX  
Storbritannien  
17-02-2020

### Garanti

Black & Decker er overbevist om den gode kvalitet af sine produkter og giver forbrugerne en garanti på 24 måneder fra købsdatoen. Garantien er et tillæg til forbrugerens lovmæssige rettigheder og påvirker ikke disse. Garantien er gyldig inden for medlemsstaterne af Den Europæiske Union og Det Europæiske Frihandelsområde.

Når du gør krav på garantien, skal kravet være i overensstemmelse med Black & Decker vilkår og betingelser, og du skal indsende dokumentation for købet til sælgeren eller til en autoriseret reparatør.

Vilkår og betingelser for Black & Decker 2 års garanti og placeringen af dit nærmeste autoriserede serviceværksted kan fås på internettet på [www.2helpU.com](http://www.2helpU.com), eller ved at kontakte dit lokale Black & Decker kontor på den adresse, der er angivet i denne vejledning.

Besøg venligst vores websted [www.blackanddecker.co.uk](http://www.blackanddecker.co.uk) for at registrere dit nye Black & Decker produkt og modtage opdateringer om nye produkter og specielle tilbud.

## Käyttötarkoitus

BLACK+DECKER™ BCRTA01 -väännin on suunniteltu kuusiokulma-avaimella toteutettavaan asennussovelluksiin. Tämä työkalu on tarkoitettu vain yksityiskäyttöön.

## Turvallisuusohjeet

### Sähkötyökalujen yleiset turvavaroitukset



**Varoitus! Lue kaikki tämän sähkötyökalun mukana toimitetut varoitukset, käyttöohjeet ja tekniset tiedot.** Jos kaikkia ohjeita ei noudateta, on olemassa sähköiskun, tulipalon ja/tai vakavan henkilövahingon vaara.

### Säästä kaikki varoitukset ja ohjeet tulevaa käyttöä varten.

Varoituksissa käytetty käsite "sähkötyökalu" tarkoittaa verkkokäyttöisiä sähkötyökaluja (joissa on verkkojohto) ja akkukäyttöisiä sähkötyökaluja (joissa ei ole verkkojohtoa).

#### 1. Työalueen turvallisuus

- Pidä työalue puhtaana ja hyvin valaistuna.** Onnettomuuksia sattuu herkemmin epäsiistissä tai huonosti valaistussa ympäristössä.
- Älä käytä sähkötyökalua räjähdysalttiissa ympäristössä, jossa on syttyvää nestettä, kaasua tai pölyä.** Sähkötyökalujen aiheuttamat kipinät voivat sytyttää pölyn tai kaasut.
- Pidä lapset ja sivulliset loitolla sähkötyökalua käyttäessäsi.** Keskeyttämiskyvyn herpaantuminen voi aiheuttaa hallinnan menettämisen.

#### 2. Sähköturvallisuus

- Sähkötyökalun pistokkeen on sovittava pistorasiaan. Älä koskaan tee pistokkeeseen mitään muutoksia. Älä yhdistä maadoitettua sähkötyökalua jatkojohtoon.** Sähköiskun vaara vähenee, jos pistokkeisiin ei tehdä muutoksia ja ne yhdistetään vain niille tarkoitettuihin pistorasioihin.
- Vältä koskettamasta maadoitettuja pintoja, kuten putkia, lämpöpattereita, liesiä tai jääkaappeja.** Voit saada sähköiskun, jos kehosi on maadoitettu.
- Älä altista sähkötyökalua sateelle tai kosteudelle.**

Sähkötyökaluun menevä vesi lisää sähköiskun vaaraa.

- Älä käsittele virtajohtoa kovakouraisesti. Älä kannata työkaluja sähköjohdosta tai vedä pistoketta pistorasiasta sähköjohdon avulla. Pidä sähköjohto kaukana kuumuudesta, öljystä, terävistä reunoista tai liikkuvista osista.** Vaurioituneet tai sotkeutuneet johdot lisäävät sähköiskun vaaraa.
- Käyttäessäsi sähkötyökalua ulkona käytä ainoastaan ulkokäyttöön soveltuvaa jatkojohtoa.** Ulkokäyttöön tarkoitettun sähköjohdon käyttäminen vähentää sähköiskun vaaraa.
- Jos sähkötyökalua on välttämättä käytettävä kosteassa paikassa, käytä vikavirtasuojalla (RCD) suojattua virtalähdettä.** Tämä vähentää sähköiskun vaaraa.

#### 3. Henkilöturvallisuus

- Ole valpas, keskity työhön ja noudata tervettä järkeä sähkötyökalun käytössä.** Älä käytä tätä työkalua ollessasi väsynyt tai alkoholin, huumeiden tai lääkkeiden vaikutuksen alaisena. Keskeyttämisen herpaantuminen hetkeksikin sähkötyökalua käytettäessä voi aiheuttaa vakavan henkilövahingon.
- Käytä henkilökohtaisia suojavarusteita. Käytä aina suojalaseja.** Hengityssuojaimen, liukumattomien turvajalkineiden, kypärän ja kuulonsuojaimen käyttäminen vähentää henkilövahinkojen vaaraa.
- Vältä tahatonta käynnistämistä. Varmista, että kytkin on OFF-asennossa, ennen kuin liität laitteen virtalähteeseen ja/tai akkuun, nostat laitteen tai kannat sitä.** Sähkötyökalun kantaminen sormi virtakytkimellä lisää onnettomuusvaaraa.
- Irrota mahdollinen säätö- tai kiintoavain ennen kuin käynnistät sähkötyökalun.** Sähkötyökalun pyöriivään osaan kiinni jäänyt avain voi johtaa loukkaantumiseen.
- Älä kurkota. Huolehdi siitä, että sinulla on koko ajan tukeva jalansija ja hyvä tasapaino.** Näin voit hallita sähkötyökalua paremmin odottamattomissa tilanteissa.
- Käytä tarkoitukseen soveltuvia vaatteita. Älä käytä löysyiä vaatteita tai koruja. Pidä hiukset, vaatteet ja kädet loitolla liikkuvista osista.** Löysät vaatteet, korut tai pitkät hiukset voivat tarttua liikkuviin osiin.
- Jos työkalun voi liittää polynimuriin, tarkista, että liitos on tehty asianmukaisesti ja että laitteita käytetään oikealla tavalla.** Pölyn ottaminen talteen voi vähentää pölyn aiheuttamia vaaroja.
- Vaikka käyttäisit usein työkaluja ja sinulla olisi niistä hyvä tuntemus, älä jätä lukematta työkalun turvallisuusohjeita.** Huolimattomuus voi johtaa vakaviin henkilövahinkoihin jopa sekunnin murto-osassa.

#### 4. Sähkötyökalujen käyttö ja hoito

- Älä ylikuormita sähkötyökalua.**

### Valitse käyttötarkoituksen kannalta oikea sähkötyökalu.

Sähkötyökalu toimii paremmin ja turvallisemmin, kun sitä käytetään sille suunniteltuun käyttötarkoitukseen.

- Älä käytä sähkötyökalua, jota ei voida käynnistää ja pysäyttää virtakytkimestä.** Jos sähkötyökalua ei voi hallita kytkimen avulla, se on vaarallinen ja se on korjattava.
  - Irrota pistotulppa pistorasiasta ja/tai akku laitteesta ennen kuin suoritat säätöjä, vaihdat tarvikkeita tai siirrät sähkötyökalun varastoitavaksi.** Näin voit vähentää vahingossa käynnistymisen aiheuttaman henkilövahingon vaaraa.
  - Säilytä sähkötyökalut poissa lasten ulottuvilta, kun niitä ei käytetä.** Älä anna sähkötyökalua sellaisen henkilön käyttöön, joka ei tunne sitä tai joka ei ole tutustunut tähän käyttöohjeeseen. Sähkötyökalut ovat vaarallisia kouluttamattomien käyttäjien käsissä.
  - Hoida sähkötyökaluasi ja lisävarusteita huolella.** Tarkista, että liikkuvat osat toimivat moitteettomasti ja etteivät ne ole puristuksessa. Tarkista myös, ettei työkalussa ei ole murtuneita tai vahingoittuneita osia, jotka saattaisivat vaikuttaa haitallisesti sen toimintaan. Jos havaitset vaurioita, korjauta sähkötyökalu ennen niiden käyttämistä. Huonosti kunnossapidetyt sähkötyökalut aiheuttavat onnettomuuksia.
  - Pidä leikkausterät terävinä ja puhtaina.** Kunnossa pidettyjen leikkaavien teräviä reunoja sisältävien työkalut todennäköisyys jumiutua vähenee, ja niitä on helpompi hallita.
  - Käytä sähkötyökaluja, tarvikkeita, vaihtoteriä yms. näiden ohjeiden mukaisesti. Ota tällöin huomioon työolosuhteet ja suoritettava toimenpide.** Jos sähkötyökalua käytetään näiden ohjeiden vastaisesti, voi syntyä vaaratilanne.
  - Pidä kahvat ja kädensijat kuivina ja puhtaina öljystä ja rasvasta.** Liukkaat kahvat ja kädensijat estävät työkalun turvallisen käsittelyn ja hallinnan odottamattomissa tilanteissa.
- Akkutyökalun käyttö ja huolto**
    - Lataa akku vain valmistajan määrittelemällä laturilla.** Laturi, joka on sopiva yhden tyyppiselle akulle, voi aiheuttaa tulipalon vaaran, jos sitä käytetään toisen tyyppisellä akulla.
    - Käytä sähkötyökalussa ainoastaan kyseiseen sähkötyökaluun tarkoitettua akkua.** Muun tyyppisen akun käyttö saattaa johtaa loukkaantumiseen ja tulipaloon.
    - Pidä irrallinen akku loitolla metalliesineistä, kuten paperiliittimistä, kolikoista, avaimista, nauloista, ruuveista tai muista pienistä metalliesineistä, jotka voivat aiheuttaa oikosulun akun navoissa.**

Kennon pinteiden oikosulku voi aiheuttaa palovammoja tai tulipalon.

- Väärin käytetystä akusta voi vuotaa nestettä. Älä kosketa sitä. Jos nesteen kanssa joutuu kosketuksiin, huuhtelee vedellä. Jos nestettä joutuu silmiin, hakeudu lisäksi lääkärin hoitoon.** Akusta roiskunut neste saattaa aiheuttaa ärsytystä tai palovammoja.
- Akkua tai työkalua ei saa käyttää, jos siinä on vaurioita tai sitä on muunneltu.** Vaurioituneet tai muunnellut akut voivat johtaa odottamattomiin tilanteisiin ja vaarana ovat tulipalo, räjähdys ja henkilövahingot.
- Suojaa akku ja työkalu tulelta ja liian korkeilta lämpötiloilta.** Se voi räjähtää yli 130 °C lämpötilassa.
- Noudata kaikkia latausohjeita. Akkua tai työkalua ei saa ladata ohjeissa määritetyistä lämpötilavälisistä poikkeavassa lämpötilassa.** Jos akku ladataan virheellisesti tai määritetystä lämpötilavälisestä poikkeavassa lämpötilassa, seurauksena voi olla akun vaurioituminen ja tulipalovaara.

## 6. Huolto

- Korjauta sähkötyökalu koulutetulla ja ammattitaitoisella henkilöllä ja hyväksy korjauksiin vain alkuperäisiä varaosia.** Tämä varmistaa sähkötyökalun turvallisuuden.
- Älä koskaan huolla vaurioituneita akkuja.** Ainoastaan valmistaja tai valtuutetut huoltoliikkeet saavat huoltaa akkuja.

## Sähkötyökalujen lisäturvavaroitukset



**Varoitus!** Lisäturvavaroitukset ruuvinvääntimille.

- ◆ **Pitele sähkötyökalua eristetyistä tartuntapinnoista, kun teet työtä, jossa kiinnittimet voivat joutua kosketuksiin piilossa olevien sähköjohtojen tai oman virtajohtonsa kanssa.** Kiinnittimien osuminen jännitteeseen johtoon tekee sen paljaista metalliosista jännitteisiä, joten käyttäjä voi saada sähköiskun.
- ◆ **Käytä kuulonsuojaimia iskuväännintä käyttäessäsi.** Melulle altistuminen voi aiheuttaa kuulon menetyksen.
- ◆ **Käytä apukahvoja työkalun kanssa.** Hallinnan menetys voi aiheuttaa henkilövahingon.
- ◆ **Käytä puristimia tai muuta käytännöllistä tapaa kiinnittää ja tukea työkalua tukevalle alustalle.** Työn pitäminen käsin tai vartaloa vasten on epävakaata ja saattaa johtaa kontrollin menetykseen.
- ◆ **Ennen kuin kiinnität kiinnittimiä seinin, lattioihin tai kattoihin, tarkista sähköjohtojen ja putkien sijainti.**
- ◆ **Tarkoitettu käyttö on kuvattu tässä käyttöohjeessa.**
- ◆ **Käytä työkalua ainoastaan sellaiseen työhön, johon se on tarkoitettu, ja käytä vain tässä käyttöohjeessa suositeltuja tarvikkeita ja lisälaitteita.**

**Ohjeesta poikkeava käyttö voi aiheuttaa henkilö- ja/tai omaisuusvahinkoja.**

### Turvallisuusohjeet pitkiä poranteriä käyttäessä

- ◆ **Älä koskaan ylitä poranterän määritettyä maksiminopeutta.** Suuremmilla nopeuksilla terä voi taipua ja aiheuttaa henkilövahinkoja, jos sen annetaan pyöriä vapaasti työstökappaleesta irti.
- ◆ **Aloita poraus aina alhaisella nopeudella poranterän koskettaessa työstökappaleeseen.** Suuremmilla nopeuksilla terä voi taipua ja aiheuttaa henkilövahinkoja, jos sen annetaan pyöriä vapaasti työstökappaleesta irti.
- ◆ **Kohdista terään voimaa vain suorassa linjassa välttäen liiallista painetta.** Terät voivat taipua ja aiheuttaa murtumisen tai hallinnan menetyksen, mikä voi johtaa henkilövahinkoihin.

### Muiden henkilöiden turvallisuus

- ◆ Tätä laitetta ei ole tarkoitettu sellaisten henkilöiden (mukaan lukien lapset) käytettäväksi, joiden fyysiset, aistilliset tai henkiset kyvyt tai kokemus ja tietämys ovat rajalliset, ellei heidän turvallisuudestaan vastuussa oleva henkilö valvo tai ohjaa heitä laitteen käytössä.
- ◆ Lapsia tulee valvoa, jotta he eivät leikkisi laitteella.

### Jännönsriskit

Myös muut kuin turvavaroituksissa mainitut riskit ovat mahdollisia laitetta käytettäessä. Nämä riskit voivat liittyä muun muassa virheelliseen tai pitkäaikaiseen käyttöön. Tiettyjä jännönsriskejä ei voi välttää, vaikka noudatetaan kaikkia turvamaaräyksiä ja käytät turvalaitteita. Näitä ovat:

- ◆ Pyörivien tai liikkuvien osien koskettamisen aiheuttamat vahingot.
- ◆ Osia, teriä tai lisävarusteita vaihdettaessa aiheutuneet vahingot.
- ◆ Laitteen pitkäaikaisen käytön aiheuttamat vahingot. Varmista, että pidät säännöllisesti taukoja laitteen pitkäaikaisen käytön aikana.
- ◆ Kuulon heikkeneminen.
- ◆ Laitetta käytettäessä (esimerkiksi puuta, erityisesti tammea, pyökkiä ja MDF-levyjä, käsiteltäessä) syntyneen pölyn sisäänhengityksen aiheuttamat terveysriskit).

### Tärinä

Teknisissä tiedoissa ja vaatimustenmukaisuusvakuutuksessa ilmoitettu tärinäpäästöarvo on mitattu EN62841-standardin testausmenetelmän mukaisesti, ja arvoa voi käyttää työkalujen keskinäiseen vertailuun.

Ilmoitettua tärinäpäästöarvoa voi käyttää myös altistumisen alustavaan arviointiin.

**Varoitus!** Sähkötyökalun käytön aikana mitattu todellinen tärinäpäästöarvo voi poiketa ilmoitetusta tärinäpäästöarvosta työkalun käyttötavan mukaan.

Tärinäarvo voi olla ilmoitettua tasoa suurempi.

Kun tärinälle altistumista arvioidaan sen määrittämiseksi, mitä direktiivin 2002/44/EY mukaisia turvatoimenpiteitä vaaditaan sähkötyökaluja säännöllisesti käyttävien henkilöiden suojelemiseksi, tärinälle altistumisen arvioinnissa on otettava huomioon todelliset käyttöolosuhteet ja työkalun käyttötavat. Todellisen käytön lisäksi on kiinnitettävä huomiota myös siihen, milloin työkalu on sammutettuna tai se käy tyhjäkäynnillä.

### Työkalun tarrat

Työkalussa on seuraavat merkit sekä päivämääräkoodi:



**Varoitus!** Käyttäjän on luettava käyttöohje vahinkojen välttämiseksi.



Älä katso suoraan toiminnassa olevaan lampuun

### Akkuja ja laturia koskevat lisäturvaohteet

#### Akut

- ◆ Älä koskaan yritä avata mistään syystä.
- ◆ Älä anna akun kastua.
- ◆ Älä säilytä akkuja tiloissa, joissa lämpötila voi nousta yli 40 °C:een.
- ◆ Lataa akku paikassa, jonka lämpötila on vähintään +10 °C ja enintään +40 °C.
- ◆ Noudata akkujen hävittämisessä Ympäristönsuojelu-kohdassa esitetyjä ohjeita.



Älä koskaan yritä ladata viallisia akkuja.

### Yleiskuvaus

Tässä työkalussa on joitakin tai kaikki seuraavista ominaisuuksista:

1. Virtakytkin
2. Eteen-/taaksepäin-liukusäädin
3. Terän pidikkeen istukka
4. Laippa/LED-työvalo
5. Kuusiokulma-avain
6. Latausportti
7. USB-liitin

### Akun lataaminen (kuva A)

- ◆ Liitä USB-liitin (7a) latausporttiin (6).
- ◆ Liitä USB-liitin (7b) USB-virtalähteeseen (ei kuulu pakkaukseen).
- ◆ Anna laitteen olla liitettyä laturiin korkeintaan 4 tunnin ajan.
- ◆ Latauksen merkkivalo (6a) palaa latauksen aikana.

- ◆ Latauksen merkkivalo (6a) sammuu, kun akku on ladattu täyteen.

## Kuusiokulma-avaimen kiinnittäminen ja irrottaminen (kuvat B, C)

**Varoitus!** Varmista, että eteen-/taaksepäin-liikusäädin (2) on lukittu pois päältä (keskiasento).

- ◆ Käännä laippaa (4) vastapäivään terän pidikkeen istukan (3) avaamiseksi.
- ◆ Aseta kuusiokulma-avain (5) terän pidikkeen istukkaan (3), kunnes se koskettaa magneettilevyä (3a) kanavan päässä. Varmista, että se on keskitetty istukan runkoon.
- ◆ Kiristä laippa (4) kiertämällä sitä myötäpäivään, kunnes kuusiokulma-avain (5) on hyvin kiinni.
- ◆ Lisälaipan (3b) liitin helpottaa suurempien kuusiokulma-avaimien käyttöä. Asenna kuvan C mukaisesti.

**Varoitus!** Käytä ainoastaan kuusiokulma-avaimen lyhyen pään ollessa syvennyksessä. Jos kuusiokulma-avain riippuu laipan ulkopuolella, seurauksena voivat olla henkilövahingot.

## LED-työvalo (kuva D)

LED-työvalo (4) aktivoituu automaattisesti, kun virtakytkintä (1) painetaan. LED-valo syttyy myös silloin, kun liipaisinta painetaan ja eteen-/taaksepäin-liikusäädin (2) on lukitussa asennossa (keskiasennossa).

## Pyörimissuunnan valitseminen (kuva E)

Käytä poraamiseen ja kuusiokolopulttien kiristämiseen eteenpäin suuntautuvaa pyörimisliikettä. Löysää kuusiokolopultit kiertämällä vastakkaiseen suuntaan.

- ◆ Valitse pyörimissuunta eteenpäin työntämällä eteen-/taaksepäin-liikusäädin (2) oikeaan asentoon.
- ◆ Valitse pyörimissuunta taaksepäin työntämällä eteen-/taaksepäin-liikusäädin (2) vasempaan asentoon.
- ◆ Lukitse työkalu siirtämällä eteen-/taaksepäin-liikusäädin keskelle.

## Kiinnittäminen

- ◆ Valitse pyörimissuunta eteen- tai taaksepäin eteen-/taaksepäin-liikusäätimellä (2).
- ◆ Käynnistä laite painamalla virtakytkintä (1).
- ◆ Sammuta laite vapauttamalla virtakytkin (1).

## Vinkkejä parhaimman tuloksen saavuttamiseksi

### Ruuvien kiinnittäminen

- ◆ Käytä aina oikeantyyppistä ja -kokoista kuusiokulma-avainta.
- ◆ Jos kuusiokolopulttien kiristäminen on hankalaa, kokeile käyttää liukasteena pientä määrää pesunestettä tai saippuaa.
- ◆ Pidä työkalu ja kuusiokulma-avain aina suorassa linjassa kuusiokolopulttiin nähden.

**Huomautus:** Tässä laitteessa voidaan käyttää myös perusmallisia kuusiokoloavaimen teriä.

## Huolto

BLACK+DECKER-työkalu on suunniteltu toimimaan mahdollisimman pitkän aikaa mahdollisimman vähällä huollolla. Oikea käsittely ja säännöllinen puhdistus varmistavat laitteen ongelmattoman toiminnan.

**Varoitus!** Ennen huoltamista ja puhdistamista työkalu on irrotettava laturista.

- ◆ Puhdista moottorin kotelo säännöllisesti kostealla liinalla. Älä käytä hankaavia tai liuotinpohjaisia puhdistusaineita.

## Ympäristönsuojelu



Toimita tämä laite erilliskeräykseen. Tällä symbolilla merkityjä tuotteita ja akkuja ei saa hävittää tavallisen kotitalousjätteen mukana.

Tuotteissa ja akuissa on materiaaleja, jotka voidaan ottaa talteen tai kierrättää uudelleen käyttöä varten. Kierrätä sähkölaitteet ja akut paikallisten määräyksien mukaan. Lisätietoa on saatavilla osoitteessa [www.2helpU.com](http://www.2helpU.com)

## Tekniset tiedot

		BCRTA01
Jännite	V <sub>DC</sub>	3,6
Kuormittamaton nopeus	min <sup>-1</sup>	180
Voimakkaan pysähdyksen sakkauvääntömomentti	Nm	5,5
Maks. vääntömomentti	Nm	5,5
Istukka	mm	6
Paino	kg	0,4

Akku		
Akkutyyppe		Li-Ion
Ampeerituntikapasiteetti		1,5 Ah

Äänenpainetaso standardin EN 62841 mukaisesti:
Äänenpaine (L <sub>pa</sub> ) 57 dB(A), epävarmuus (K) 5 dB(A)
Äänitehotaso (L <sub>WA</sub> ) 68 dB(A), epävarmuus (K) 5 dB(A)

Tärinän kokonaisarvot (vektorisumma) standardin EN 62841 mukaisesti:
Ruuvinvääntö ilman iskutoimintaa (a <sub>v</sub> ) 0,5 m/s <sup>2</sup> , epävarmuus (K) 1,5 m/s <sup>2</sup>

**EY-vaatimusten mukaisuusvakuutus**

KONEDIREKTIIVI



BCRTA01 Ruuviväännin

Black & Decker ilmoittaa, että tuotteet, jotka on kuvattu kohdassa "Tekniset tiedot" ovat seuraavien direktiivien vaatimusten mukaisia:

2006/42/EY, EN62841-1:2015, EN62841-2-1:2018.

Nämä tuotteet täyttävät myös direktiivien 2014/30/EU ja 2011/65/EU vaatimukset. Lisätietoja saa ottamalla yhteyden Black & Deckeriin seuraavassa osoitteessa. Tiedot ovat myös käyttöohjeen takakannessa.

Allekirjoittanut vastaa teknisten tietojen kokoamisesta tehden tämän ilmoituksen Black & Deckerin puolesta.

Ed Higgins

Johtaja – Sähkötyökalut kuluttajille

Black & Decker Europe, 270 Bath Road, Slough,  
Berkshire, SL1 4DX  
Iso-Britannia  
17.2.2020

**Takuu**

Black & Decker on vakuuttanut tuotteidensa korkeasta laadusta ja tarjoaa kuluttajille 24 kuukauden takuun, joka astuu voimaan ostopäivänä. Takuu on lisäys kuluttajan laillisiin oikeuksiin eikä vaikuta niihin. Tämä takuu on voimassa kaikissa EU- ja ETA-maissa.

Edellytyksenä takuun saamiselle on, että vaade täyttää Black & Deckerin ehdot ja että ostaja toimittaa ostotositteen jälleenmyyjälle tai valtuutetulle huoltoliikkeelle.

Black & Deckerin kahden vuoden takuun ehdot ja lähimmän valtuutetun korjauspalvelun yhteystiedot ovat saatavilla osoitteessa [www.2helpU.com](http://www.2helpU.com) tai ottamalla yhteyttä paikalliseen Black & Deckerin toimipisteeseen tässä ohjekirjassa ilmoitettuihin osoitteisiin.

Käy verkkosivuillemme osoitteessa [www.blackanddecker.fi](http://www.blackanddecker.fi) ja rekisteröi uusi Black & Decker -tuotteesi saadaksesi tietoa uusista tuotteista ja erikoistarjouksista.

**Προβλεπόμενη χρήση**

Το εργαλείο βιδώματος BLACK+ DECKER™ BCRTA01 έχει σχεδιαστεί για εφαρμογές συναρμολόγησης με κλειδί Άλεν. Αυτό το εργαλείο προορίζεται μόνο για ερασιτεχνική χρήση.

**Οδηγίες ασφαλείας**

**Γενικές προειδοποιήσεις ασφαλείας για ηλεκτρικά εργαλεία**



**Προειδοποίηση! Διαβάστε όλες τις προειδοποιήσεις ασφαλείας, τις οδηγίες, τις απεικονίσεις και τις προδιαγραφές που συνοδεύουν αυτό το ηλεκτρικό εργαλείο.** Η μη τήρηση οποιασδήποτε από τις οδηγίες που αναφέρονται πιο κάτω μπορεί να έχει ως αποτέλεσμα ηλεκτροπληξία, πυρκαγιά και/ή σοβαρό τραυματισμό.

**Φυλάξτε όλες τις προειδοποιήσεις και τις οδηγίες για μελλοντική αναφορά.** Ο όρος "ηλεκτρικό εργαλείο" σε όλες τις προειδοποιήσεις, αναφέρεται σε εργαλείο που τροφοδοτείται με ρεύμα από το ηλεκτρικό δίκτυο (με καλώδιο) ή σε εργαλείο που λειτουργεί με μπαταρία (χωρίς καλώδιο).

**1. Ασφάλεια χώρου εργασίας**

- α. Διατηρείτε τον χώρο εργασίας καθαρό και καλά φωτισμένο.** Οι ατακτοποιητή ή σκελετινοί χώροι γίνονται αιτίες ατυχημάτων.
- β. Μη χρησιμοποιείτε ηλεκτρικά εργαλεία σε περιβάλλον όπου υπάρχει κίνδυνος έκρηξης, όπως με παρουσία εύφλεκτων υγρών, αερίων ή σκόνης.** Τα ηλεκτρικά εργαλεία παράγουν σπινθήρες που μπορεί να προκαλέσουν ανάφλεξη της σκόνης ή των αναθυμιάσεων.
- γ. Όταν χρησιμοποιείτε ηλεκτρικό εργαλείο, κρατάτε μακριά τα παιδιά και άλλα άτομα.** Παράγοντες που αποσοούν την προσοχή μπορεί να σας κάνουν να χάσετε τον έλεγχο.

**2. Ασφαλής χρήση ηλεκτρικού ρεύματος**

- α. Τα φισ των ηλεκτρικών εργαλείων πρέπει να ταιριάζουν στην πρίζα. Σε καμία περίπτωση μην τροποποιήσετε το φισ, με κανένα τρόπο. Μη χρησιμοποιείτε φισ προσαρμογής με γειωμένα ηλεκτρικά εργαλεία.** Τα φισ που δεν έχουν υποστεί τροποποιήσεις και οι κατάλληλες πρίζες μειώνουν τον κίνδυνο ηλεκτροπληξίας.
- β. Αποφεύγετε την επαφή του σώματός σας με γειωμένες επιφάνειες, όπως σωλήνες, καλοριφέρ, κουζίνες και ψυγεία.** Υπάρχει αυξημένος κίνδυνος ηλεκτροπληξίας αν το σώμα σας είναι γειωμένο.
- γ. Μην εκθέτετε τα ηλεκτρικά εργαλεία σε βροχή ή υγρασία.** Η διείσδυση νερού σε ένα ηλεκτρικό εργαλείο αυξάνει τον κίνδυνο ηλεκτροπληξίας.

- δ. Μην κακομεταχειρίζεστε το καλώδιο. Ποτέ μη χρησιμοποιήσετε το καλώδιο για να μεταφέρετε, να τραβήξετε ή να αποσυνδέσετε από την πρίζα το ηλεκτρικό εργαλείο. Κρατάτε το καλώδιο μακριά από θερμότητα, λάδια, αιχμηρά άκρα ή κινούμενα μέρη. Τα καλώδια που έχουν υποστεί ζημιά ή είναι μπερδεμένα αυξάνουν τον κίνδυνο ηλεκτροπληξίας.
- ε. Όταν χρησιμοποιείτε ηλεκτρικό εργαλείο σε εξωτερικούς χώρους, να χρησιμοποιείτε πάντοτε καλώδιο επέκτασης κατάλληλο για εργασία σε εξωτερικούς χώρους. Η χρήση καλωδίου κατάλληλου για εργασία σε εξωτερικούς χώρους μειώνει τον κίνδυνο ηλεκτροπληξίας.
- στ. Εάν είναι αναπόφευκτη η χρήση ενός ηλεκτρικού εργαλείου σε συνθήκες υγρασίας, χρησιμοποιήστε μια διάταξη προστασίας από ρεύμα διαρροής (RCD). Η χρήση μιας διάταξης RCD μειώνει τον κίνδυνο ηλεκτροπληξίας.
3. Προσωπική ασφάλεια
- α. Όταν χρησιμοποιείτε ηλεκτρικό εργαλείο, να είστε σε εγρήγορση, να συγκεντρώσετε στην εργασία που κάνετε και να επιστρατεύετε την κοινή λογική. Μην χρησιμοποιείτε ηλεκτρικό εργαλείο όταν είστε κουρασμένος/η ή υπό την επήρεια ναρκωτικών, οινοπνεύματος ή φαρμακευτικής αγωγής. Μια στιγμή απροσεξίας κατά τη χρήση ηλεκτρικών εργαλείων μπορεί να προκαλέσει σοβαρό τραυματισμό.
- β. Να χρησιμοποιείτε ατομικό εξοπλισμό προστασίας. Πάντα φοράτε προστασία ματιών. Ο εξοπλισμός προστασίας, όπως μάσκα κατά της σκόνης, αντιολισθητικά παπούτσια ασφαλείας, κράνος ή προστασία ακοής, όταν χρησιμοποιείται για τις κατάλληλες συνθήκες, θα μειώσει τους τραυματισμούς και τις σωματικές βλάβες.
- γ. Αποτρέψτε την ακούσια ενεργοποίηση. Βεβαιωθείτε ότι ο διακόπτης βρίσκεται στη θέση απενεργοποίησης, πριν συνδέσετε το εργαλείο στην πηγή ρεύματος και/ή τοποθετήσετε το πακέτο μπαταρίας, καθώς και πριν πάρετε στα χέρια σας ή μεταφέρετε το εργαλείο. Η μεταφορά ηλεκτρικών εργαλείων με το δάχτυλο πάνω στο διακόπτη ή η σύνδεση στο ρεύμα ηλεκτρικών εργαλείων με το διακόπτη στη θέση ενεργοποίησης, ενέχει κινδύνους ατυχημάτων.
- δ. Πριν θέσετε το ηλεκτρικό εργαλείο σε λειτουργία, αφαιρέστε τυχόν εργαλεία ή κλειδιά ρύθμισης. Εάν αφήσετε ένα εργαλείο ή κλειδί πάνω σε κάποιο περιστρεφόμενο εξάρτημα του ηλεκτρικού εργαλείου, μπορεί να προκληθούν τραυματισμοί.
- ε. Μην τεντώνετε υπερβολικά. Διατηρείτε πάντα σταθερή στήριξη στα πόδια σας και καλή ισορροπία. Έτσι μπορείτε να έχετε καλύτερο έλεγχο του ηλεκτρικού εργαλείου σε μη αναμενόμενες καταστάσεις.
- στ. Φοράτε κατάλληλη ενδυμασία εργασίας. Μη φοράτε φαρδιά ρούχα ούτε κοσμήματα. Κρατάτε τα μαλλιά, τα ρούχα και τα γάντια σας μακριά από κινούμενα μέρη. Τα φαρδιά ρούχα, τα κοσμήματα και τα μακριά μαλλιά μπορούν να πιαστούν σε κινούμενα μέρη.
- ζ. Αν παρέχονται διατάξεις για τη σύνδεση συστημάτων απομάκρυνσης και συλλογής της σκόνης, βεβαιωθείτε ότι αυτές είναι συνδεδεμένες και χρησιμοποιούνται σωστά. Η χρήση διατάξεων συλλογής της σκόνης μπορεί να μειώσει τους κινδύνους που προέρχονται από τη σκόνη.
- η. Μην αφήνετε την εξοικείωση που έχετε αποκτήσει από τη συχνή χρήση εργαλείων να σας επιτρέψει να εφησυχάστε ώστε να αγνοείτε τις αρχές ασφαλούς χρήσης των εργαλείων. Μια απρόσκτητη ενέργεια μπορεί να προκαλέσει βαρύ τραυματισμό μέσα σε κλάσματα του δευτερολέπτου.
4. Χρήση και φροντίδα ηλεκτρικών εργαλείων
- α. Μην υπερφορτώνετε το ηλεκτρικό εργαλείο. Χρησιμοποιείτε το σωστό ηλεκτρικό εργαλείο για την εφαρμογή σας. Το σωστό ηλεκτρικό εργαλείο θα εκτελέσει την εργασία καλύτερα και ασφαλέστερα, με την ένταση χρήσης για την οποία σχεδιάστηκε.
- β. Μην χρησιμοποιήσετε το ηλεκτρικό εργαλείο αν ο διακόπτης του δεν μπορεί να το ενεργοποιεί και απενεργοποιεί. Ένα ηλεκτρικό εργαλείο του οποίου η λειτουργία δεν μπορεί να ελεγχθεί με το διακόπτη είναι επικίνδυνο και πρέπει να επισκευαστεί.
- γ. Αποσυνδέστε το φως από την πηγή ρεύματος και/ή το πακέτο μπαταρίας από το ηλεκτρικό εργαλείο, πριν διεξαγάγετε οποιαδήποτε ρύθμιση, αλλαγή αξεσουάρ ή όταν πρόκειται να αποθηκεύσετε το ηλεκτρικό εργαλείο. Τέτοια προληπτικά μέτρα ασφαλείας μειώνουν τον κίνδυνο αθέλητης εκκίνησης του ηλεκτρικού εργαλείου.
- δ. Να φυλάσσετε μακριά από παιδιά τα ηλεκτρικά εργαλεία που δεν χρησιμοποιείτε. Μην αφήνετε να χρησιμοποιήσουν ηλεκτρικό εργαλείο άτομα που δεν είναι εξοικειωμένα με αυτό ή άτομα που δεν έχουν διαβάσει αυτές τις οδηγίες χρήσης. Τα ηλεκτρικά εργαλεία είναι επικίνδυνα στα χέρια μη εκπαιδευμένων χρηστών.
- ε. Συντηρείτε τα ηλεκτρικά εργαλεία και τα αξεσουάρ. Ελέγχετε για προβλήματα ευθυγράμμισης ή για μάγκωμα των κινούμενων εξαρτημάτων, θραύση εξαρτημάτων, καθώς και για οποιοδήποτε άλλο πρόβλημα μπορεί να επηρεάσει τη λειτουργία των ηλεκτρικών εργαλείων. Αν το ηλεκτρικό εργαλείο έχει υποστεί ζημιά, φροντίστε να επισκευαστεί πριν το χρησιμοποιήσετε. Η ανεπαρκής συντήρηση των ηλεκτρικών εργαλείων αποτελεί αιτία πολλών ατυχημάτων.



**στ. Διατηρείτε τα κοπτικά εργαλεία κοφτερά και καθαρά.**

Τα κοπτικά εργαλεία με κοφτερές κοπτικές αιχμές που συντηρούνται σωστά έχουν λιγότερες πιθανότητες να μαγκώσουν και ελέγχονται ευκολότερα.

**ζ. Να χρησιμοποιείτε το ηλεκτρικό εργαλείο, τα αξεσουάρ και τις μύτες του εργαλείου κλπ. σύμφωνα με τις παρούσες οδηγίες, λαμβάνοντας υπόψη σας τις συνθήκες εργασίας και την εργασία που θέλετε να εκτελέσετε.**

Η χρήση του ηλεκτρικού εργαλείου για εργασίες διαφορετικές από τις προβλεπόμενες θα μπορούσε να οδηγήσει σε επικίνδυνη κατάσταση.

**η. Διατηρείτε τις λαβές και τις επιφάνειες κρατήματος στεγνές, καθαρές και απαλλαγμένες από λάδι και γράσο.** Οι ολισθηρές λαβές και επιφάνειες κρατήματος δεν επιτρέπουν τον ασφαλή χειρισμό και έλεγχο του εργαλείου σε μη αναμενόμενες καταστάσεις.**5. Χρήση και φροντίδα εργαλείων μπαταρίας****α. Να επαναφορτίζετε μόνο με το φορτιστή που καθορίζει ο κατασκευαστής.** Ένας φορτιστής που είναι κατάλληλος για ένα τύπο πακέτου μπαταρίας μπορεί να δημιουργήσει κίνδυνο πυρκαγιάς όταν χρησιμοποιείται με άλλο πακέτο μπαταρίας.**β. Χρησιμοποιείτε τα ηλεκτρικά εργαλεία αποκλειστικά και μόνο με τα καθοριζόμενα πακέτα μπαταρίας.** Η χρήση άλλων πακέτων μπαταρίας μπορεί να προκαλέσει κίνδυνο τραυματισμού και πυρκαγιάς.**γ. Όταν το πακέτο μπαταρίας δεν χρησιμοποιείται, κρατάτε το μακριά από άλλα μεταλλικά αντικείμενα, όπως συνδετήρες, κέρματα, κλειδιά, καρφιά, βίδες ή άλλα μικρά μεταλλικά αντικείμενα που μπορούν να βραχυκυκλώσουν τους δύο ακροδέκτες του.** Αν βραχυκυκλωθούν οι ακροδέκτες της μπαταρίας, μπορεί να προκληθούν εγκαύματα ή πυρκαγιά.**δ. Αν οι μπαταρίες υποστούν κακομεταχείριση, μπορεί να διαρρεύσει υγρό. Αποφύγετε την επαφή. Αν κατά λάθος έρθετε σε επαφή, ξεπλύνετε με νερό. Σε περίπτωση που το υγρό έλθει σε επαφή με τα μάτια σας, ζητήστε επιπλέον και ιατρική βοήθεια.** Το υγρό που εξέρχεται από την μπαταρία μπορεί να προκαλέσει ερεθισμούς ή εγκαύματα.**ε. Μη χρησιμοποιήσετε πακέτο μπαταρίας ή εργαλείο που έχει υποστεί ζημιά ή τροποποίηση.** Οι μπαταρίες που έχουν υποστεί ζημιά ή τροποποίηση μπορεί να έχουν απρόβλεπτη συμπεριφορά, με αποτέλεσμα φωτιά, έκρηξη ή κίνδυνο τραυματισμού.**στ. Μην εκθέσετε ένα πακέτο μπαταρίας ή εργαλείο σε φωτιά ή υπερβολική θερμοκρασία.** Η έκθεση σε φωτιά ή σε θερμοκρασία πάνω από 130 °C μπορεί να προκαλέσει έκρηξη.**ζ. Τηρείτε όλες τις οδηγίες φόρτισης και μη φορτίζετε το πακέτο μπαταρίας ή το εργαλείο εκτός των ορίων θερμοκρασίας που ορίζονται στις προδιαγραφές.** Η ακατάλληλη φόρτιση ή η φόρτιση σε θερμοκρασίες εκτός των προβλεπόμενων ορίων μπορεί να προξενήσει ζημιά στην μπαταρία και να αυξήσει τον κίνδυνο φωτιάς.**6. Σέρβις****α. Αναθέστε το σέρβις του ηλεκτρικού σας εργαλείου σε εξειδικευμένο τεχνικό επισκευών που χρησιμοποιεί μόνο γνήσια ανταλλακτικά.** Έτσι θα εξασφαλίσετε τη διατήρηση της ασφάλειας του ηλεκτρικού εργαλείου.**β. Ποτέ μην κάνετε σέρβις σε πακέτα μπαταρίας που έχουν υποστεί ζημιά.** Το σέρβις των πακέτων μπαταρίας πρέπει να γίνεται μόνο από τον κατασκευαστή ή από εξουσιοδοτημένους παρόχους σέρβις.**Πρόσθετες προειδοποιήσεις ασφαλείας για ηλεκτρικά εργαλεία**

**Προειδοποίηση!** Πρόσθετες προειδοποιήσεις ασφαλείας για κατασβίδια.

- ◆ **Κρατάτε το ηλεκτρικό εργαλείο από τις μονωμένες επιφάνειες συγκράτησης όταν εκτελείτε κάποια εργασία κατά την οποία το στοιχείο στερέωσης μπορεί να έρθει σε επαφή με κρυμμένα καλώδια ή με το δικό του καλώδιο.** Αν το στοιχείο στερέωσης έρθει σε επαφή με καλώδιο υπό τάση, μπορεί να τεθούν υπό ηλεκτρική τάση και τα εκτεθειμένα μεταλλικά μέρη του ηλεκτρικού εργαλείου και να προκληθεί ηλεκτροπληξία στον χειριστή.
- ◆ **Όταν χρησιμοποιείτε κρουστικά κλειδιά, να φοράτε ωτοασπίδες.** Η έκθεση σε θόρυβο μπορεί να προκαλέσει απώλεια ακοής.
- ◆ **Χρησιμοποιείτε τις βοηθητικές λαβές που παρέχονται μαζί με το εργαλείο.** Η απώλεια ελέγχου μπορεί να προκαλέσει σωματική βλάβη.
- ◆ **Χρησιμοποιείτε σφιγκτήρες ή άλλο πρακτικό τρόπο για να στερεώνετε και να στηρίζετε το αντικείμενο εργασίας σε σταθερό υπόβαθρο.** Αν κρατάτε το αντικείμενο εργασίας με το χέρι σας ή κόντρα στο σώμα σας, δεν υπάρχει σταθερότητα και μπορεί να προκληθεί απώλεια του ελέγχου.
- ◆ **Πριν βιδώσετε στοιχεία στερέωσης σε τοίχους, δάπεδα ή ταβάνια, ελέγχετε για τυχόν διερχόμενα καλώδια και σωλήνες.**
- ◆ **Η προβλεπόμενη χρήση περιγράφεται στο παρόν εγχειρίδιο οδηγιών.**

- ◆ Η χρήση οποιουδήποτε αξεσουάρ ή προσαρτήματος ή η εκτέλεση με αυτό το εργαλείο οποιασδήποτε εργασίας διαφορετικής από αυτές που συστήνονται στο παρόν εγχειρίδιο οδηγιών, ενδέχεται να εγκυμονεί κίνδυνο σωματικής βλάβης και/ή υλικών ζημιών.

### Οδηγίες ασφαλείας για την περίπτωση χρήσης τρυπανιών μεγάλου μήκους

- ◆ Ποτέ μη χρησιμοποιείτε ταχύτητα υψηλότερη από τη μέγιστη ονομαστική ταχύτητα του τρυπανιού. Σε υψηλότερες ταχύτητες, το τρυπάνι είναι πιθανό να λυγίσει αν επιτραπεί να περιστραφεί ελεύθερα χωρίς να είναι σε επαφή με το αντικείμενο εργασίας, με αποτέλεσμα τραυματισμό.
- ◆ Πάντα να ξεκινάτε τη διάτρηση σε χαμηλή ταχύτητα και με τη μύτη του τρυπανιού σε επαφή με το αντικείμενο εργασίας. Σε υψηλότερες ταχύτητες, το τρυπάνι είναι πιθανό να λυγίσει αν επιτραπεί να περιστραφεί ελεύθερα χωρίς να είναι σε επαφή με το αντικείμενο εργασίας, με αποτέλεσμα τραυματισμό.
- ◆ Εφαρμόζετε πίεση μόνο σε ευθεία γραμμή με το τρυπάνι και μην εφαρμόζετε υπερβολική πίεση. Τα τρυπάνια μπορεί να λυγίσουν προκαλώντας θραύση ή απώλεια του ελέγχου με αποτέλεσμα τραυματισμό.

### Ασφάλεια τρίτων

- ◆ Το εργαλείο αυτό δεν προορίζεται για χρήση από άτομα (περιλαμβανομένων παιδιών) με μειωμένες σωματικές, αισθητηριακές ή διανοητικές ικανότητες, ή με έλλειψη εμπειρίας και γνώσης, εκτός αν σε αυτά έχει παρασχεθεί από άτομο υπεύθυνο για την ασφάλειά τους επίβλεψη ή εκπαίδευση σχετικά με τη χρήση της συσκευής.
- ◆ Τα παιδιά θα πρέπει να βρισκονται υπό επίβλεψη ώστε να διασφαλίζεται ότι δεν παίζουν με τη συσκευή.

### Υπολειπόμενοι κίνδυνοι

Κατά τη χρήση του εργαλείου μπορεί να δημιουργηθούν πρόσθετοι υπολειπόμενοι κίνδυνοι, οι οποίοι ενδέχεται να μη συμπεριλαμβάνονται στις προειδοποιήσεις ασφαλείας που εσκακλείονται. Αυτοί οι κίνδυνοι μπορεί να προκληθούν από κακή χρήση, παρατεταμένη χρήση κλπ.

Παρά την εφαρμογή των σχετικών κανονισμών ασφαλείας και τη χρήση διατάξεων ασφαλείας, ορισμένοι υπολειπόμενοι κίνδυνοι δεν είναι δυνατό να αποφευχθούν. Σε αυτούς περιλαμβάνονται:

- ◆ Τραυματισμοί από επαφή με οποιαδήποτε περιστρεφόμενα/κινούμενα μέρη.
- ◆ Τραυματισμοί κατά την αλλαγή οποιουδήποτε εξαρτημάτων, λαμών ή αξεσουάρ.
- ◆ Σωματικές βλάβες από παρατεταμένη χρήση εργαλείου.

Όταν χρησιμοποιείτε οποιοδήποτε εργαλείο για παρατεταμένα χρονικά διαστήματα, μην παραλείπετε με κανένα τρόπο να κάνετε τακτικά διαλείμματα.

- ◆ Βλάβη της ακοής.
- ◆ Κίνδυνοι στην υγεία που προκαλούνται από την εισπνοή σκόνης όταν χρησιμοποιείτε το εργαλείο (παραδείγματα: όταν επεξεργάζεστε ξύλο, ειδικά δρυ, οξιά και MDF).

### Κραδασμοί

Η δηλωμένη τιμή εκπομπής κραδασμών που αναφέρεται στα τεχνικά χαρακτηριστικά και τη δήλωση συμμόρφωσης έχει μετρηθεί σύμφωνα με τυποποιημένη μέθοδο δοκιμής που προβλέπεται από το πρότυπο EN62841 και μπορεί να χρησιμοποιηθεί για τη σύγκριση ενός εργαλείου με ένα άλλο. Η δηλωμένη τιμή εκπομπής κραδασμών μπορεί επίσης να χρησιμοποιηθεί σε έναν προκαταρκτικό προσδιορισμό της έκθεσης σε κραδασμούς.

**Προειδοποίηση!** Στην πράξη, η τιμή εκπομπής κραδασμών κατά την χρήση του ηλεκτρικού εργαλείου μπορεί να διαφέρει από την τιμή που δηλώθηκε, ανάλογα με τον τρόπο που χρησιμοποιείται το εργαλείο. Το επίπεδο κραδασμών μπορεί να αυξηθεί πάνω από το επίπεδο που έχει δηλωθεί. Κατά τον προσδιορισμό της έκθεσης σε κραδασμούς για τον καθορισμό των απαιτούμενων μέτρων ασφαλείας σύμφωνα με την οδηγία 2002/44/ΕΚ για την προστασία προσώπων που χρησιμοποιούν συχνά ηλεκτρικά εργαλεία στην εργασία τους, μια προσεγγιστική εκτίμηση της έκθεσης σε κραδασμούς πρέπει να λαμβάνει υπόψη τις πραγματικές συνθήκες χρήσης και τον τρόπο χρήσης του εργαλείου, συμπεριλαμβανομένων και όλων των επιμέρους τμημάτων του κύκλου εργασίας, όπως τα χρονικά διαστήματα που το εργαλείο ήταν εκτός λειτουργίας και τα διαστήματα λειτουργίας χωρίς φορτίο, επιπλέον του χρόνου πίεσης της σκανδάλης.

### Ετικέτες πάνω στο εργαλείο

Τα εικονογράμματα που ακολουθούν μαζί με τον κωδικό ημερομηνίας εμφανίζονται πάνω στο εργαλείο:



**Προειδοποίηση!** Για να μειωθεί ο κίνδυνος τραυματισμού, ο χρήστης πρέπει να διαβάσει το εγχειρίδιο οδηγιών.



Μην κοιτάξετε απ' ευθείας τη λάμπα λειτουργίας

### Πρόσθετες οδηγίες ασφαλείας για μπαταρίες και φορτιστές

#### Μπαταρίες

- ◆ Ποτέ μην επιχειρήσετε να τις ανοίξετε, για κανένα λόγο.
- ◆ Μην εκθέτετε μπαταρία σε νερό.
- ◆ Μην τις αποθηκεύετε σε θεσίες όπου η θερμοκρασία ενδέχεται να υπερβεί τους 40 °C.

- ◆ Η φόρτιση πρέπει να γίνεται μόνο σε θερμοκρασίες περιβάλλοντος μεταξύ 10 °C και 40 °C.
- ◆ Κατά την απόρριψη των μπαταριών, να ακολουθείτε τις οδηγίες που παρέχονται στην ενότητα "Προστασία του περιβάλλοντος".



Μην επιχειρήσετε να φορτίσετε μπαταρίες που έχουν υποστεί ζημιά.

## Χαρακτηριστικά

Το εργαλείο αυτό διαθέτει μερικά ή όλα από τα παρακάτω χαρακτηριστικά:

1. Διακόπτης ενεργοποίησης/ απενεργοποίησης (On/Off)
2. Συρόμενος επιλογέας περιστροφής εμπρός/όπισθεν
3. Τσοκ υποδοχής μύτης
4. Κολάρο/Φως εργασίας LED
5. Κλειδί Άλεν
6. Θύρα φόρτισης
7. Σύνδεσμος USB

## Φόρτιση της μπαταρίας (εικ. Α)

- ◆ Εισάγετε τον σύνδεσμο USB (7a) στη θύρα φόρτισης (6).
- ◆ Συνδέστε τον σύνδεσμο USB (7b) σε ένα τροφοδοτικό USB (δεν περιλαμβάνεται).
- ◆ Αφήστε το εργαλείο συνδεδεμένο με τον φορτιστή για έως 4 ώρες.
- ◆ Η ενδεικτική λυχνία φόρτισης (6a) θα είναι αναμμένη κατά τη φόρτιση.
- ◆ Μόλις ολοκληρωθεί η φόρτιση, η ενδεικτική λυχνία φόρτισης (6a) θα σβήσει.

## Τοποθέτηση και αφαίρεση ενός κλειδιού Άλεν (εικ. Β, C)

**Προειδοποίηση!** Βεβαιωθείτε ότι ο συρόμενος επιλογέας περιστροφής εμπρός/όπισθεν (2) είναι στη θέση ασφάλισης σε απενεργοποιημένη κατάσταση (κεντρική θέση).

- ◆ Περιστρέψτε το κολάρο (4) αριστερόστροφα για να ανοίξετε το τσοκ υποδοχής μύτης (3).
- ◆ Εισάγετε το κλειδί Άλεν (5) μέσα στο τσοκ υποδοχής μύτης (3) έως ότου έρθει σε επαφή με τον μαγνητικό δίσκο (3a) στο άκρο του καναλιού, διασφαλίζοντας ότι είναι κεντραρισμένο μέσα στο σώμα του τσοκ.
- ◆ Σφίξτε το κολάρο (4) δεξιόστροφα έως ότου έχει στερεωθεί καλά το κλειδί Άλεν (5).
- ◆ Πάνω στο κολάρο επέκτασης (3b) παρέχεται ένα κλιπ για διευκόλυνση χρήσης μεγαλύτερων κλειδιών Άλεν. Τοποθετήστε όπως δείχνει η εικόνα C.

**Προειδοποίηση!** Να χρησιμοποιείται μόνο με το κοντό άκρο του κλειδιού Άλεν μέσα στην εγχοπή. Μπορεί να προκύψει τραυματισμός αν το κλειδί Άλεν προεξέχει από το κολάρο

## Φως εργασίας LED (εικ. D)

Το φως εργασίας LED (4) ενεργοποιείται αυτόματα όταν πιέζεται η σκανδάλη on/off (1). Η λυχνία LED θα είναι επίσης αναμμένη όταν πιεστεί η σκανδάλη και ο συρόμενος επιλογέας περιστροφής εμπρός/όπισθεν (2) βρίσκεται στη θέση ασφάλισης σε απενεργοποιημένη κατάσταση (κεντρική θέση).

## Επιλογή της κατεύθυνσης περιστροφής (εικ. E)

Για διάτρηση και για να σύσφιξη βιδών Άλεν, χρησιμοποιήστε περιστροφή προς τα εμπρός. Για λασκάρισμα βιδών Άλεν, χρησιμοποιήστε περιστροφή προς τα πίσω.

- ◆ Για επιλογή περιστροφής εμπρός, κινήστε τον συρόμενο επιλογέα περιστροφής εμπρός/όπισθεν (2) στη δεξιά θέση.
- ◆ Για επιλογή της περιστροφής όπισθεν, κινήστε τον συρόμενο επιλογέα περιστροφής εμπρός/όπισθεν (2) στην αριστερή θέση.
- ◆ Για να ασφαλίσετε το εργαλείο, τοποθετήστε τον συρόμενο επιλογέα περιστροφής εμπρός/όπισθεν στην κεντρική θέση.

## Βίδωμα

- ◆ Επιλέξτε περιστροφική κίνηση εμπρός ή όπισθεν χρησιμοποιώντας τον συρόμενο επιλογέα περιστροφής εμπρός/όπισθεν (2).
- ◆ Για να ενεργοποιήσετε το εργαλείο, πατήστε τον διακόπτη on/off (1).
- ◆ Για να απενεργοποιήσετε το εργαλείο, απελευθερώστε τον διακόπτη on/off (1).

## Συμβουλές για βέλτιστη χρήση

### Βίδωμα

- ◆ Χρησιμοποιείτε πάντα σωστό τύπο και μέγεθος κλειδιού Άλεν.
- ◆ Αν συναντήσετε δυσκολία κατά τη σύσφιξη βιδών Άλεν, δοκιμάστε να τις περάσετε με μικρή ποσότητα υγρού πιάτων ή σαπουνιού ως λιπαντικό.
- ◆ Πάντα να κρατάτε το εργαλείο και το κλειδί Άλεν σε ευθεία γραμμή με τη βίδα Άλεν.

**Σημείωση:** Αυτή η μονάδα μπορεί να δεχθεί και κανονικές εξαγωνικές μύτες κατασαβιδιού.

### Συντήρηση

Το εργαλείο BLACK+DECKER που έχετε στην κατοχή σας έχει σχεδιαστεί έτσι ώστε να λειτουργεί για μεγάλο χρονικό διάστημα με την ελάχιστη δυνατή συντήρηση. Η συνεχής ικανοποιητική λειτουργία εξαρτάται από τη σωστή φροντίδα και τον τακτικό καθαρισμό του εργαλείου.

**Προειδοποίηση!** Πριν πραγματοποιήσετε οποιαδήποτε εργασία καθαρισμού ή συντήρησης στο εργαλείο,

αποσυνδέστε το από τον φορτιστή.

- ◆ Να καθαρίζετε τακτικά το περίβλημα του μοτέρ με ένα ελαφρά υγρό πανί. Μη χρησιμοποιείτε καθαριστικά που χαράζουν ή περιέχουν διαλύτες.

## Προστασία του περιβάλλοντος



Χωριστή συλλογή. Τα προϊόντα και οι μπαταρίες που επισημαίνονται με αυτό το σύμβολο δεν πρέπει να απορρίπτονται μαζί με τα κανονικά οικιακά απορρίμματα.

Τα προϊόντα και οι μπαταρίες περιέχουν υλικά που μπορούν να ανακτηθούν ή να ανακυκλωθούν ώστε να μειωθούν οι ανάγκες για πρώτες ύλες.

Παρακαλούμε να ανακυκλώνετε τα ηλεκτρικά προϊόντα και τις μπαταρίες σύμφωνα με τους τοπικούς κανονισμούς. Περισσότερες πληροφορίες διατίθενται στον ιστότοπο [www.2helpU.com](http://www.2helpU.com)

## Τεχνικά χαρακτηριστικά

		BCRTA01
Τάση	V <sub>DC</sub>	3,6
Ταχύτητα χωρίς φορτίο	min <sup>-1</sup>	180
Ροπή απότομης εμπλοκής	Nm	5,5
Μέγ. ροπή	Nm	5,5
Τσοκ	mm	6
Βάρος	kg	0,4

Μπαταρία		
Τύπος μπαταριών		Ιόντων λιθίου
Ονομαστική τιμή Ah		1,5 Ah

Στάθμη ηχητικής πίεσης κατά EN 62841:		
Ηχητική πίεση (L <sub>PA</sub> )	57 dB(A),	αβεβαιότητα (K) 5 dB(A)
Ηχητική ισχύς (L <sub>WA</sub> )	68 dB(A),	αβεβαιότητα (K) 5 dB(A)

Συνολικές τιμές κραδασμών (διανυσματικό άθροισμα τριών αξόνων) σύμφωνα με το EN 62841:		
Βιδωμα χωρίς κρούση (a <sub>v</sub> )	0,5 m/s <sup>2</sup> ,	αβεβαιότητα (K) 1,5 m/s <sup>2</sup>

## Δήλωση συμμόρφωσης ΕΚ

ΟΔΗΓΙΑ ΠΕΡΙ ΜΗΧΑΝΗΜΑΤΩΝ



BCRTA01 Εργαλείο βιδώματος

Η Black & Decker δηλώνει ότι τα προϊόντα αυτά που περιγράφονται στα "τεχνικά δεδομένα" συμμορφώνονται με τα ακόλουθα:

2006/42/ΕΚ, EN62841-1:2015, EN62841-2-1:2018.

Αυτά τα προϊόντα συμμορφώνονται και με την Οδηγία 2014/30/ΕΕ και 2011/65/ΕΕ. Για περισσότερες πληροφορίες, επικοινωνήστε με την Black & Decker στην παρακάτω διεύθυνση ή ανατρέξτε στο πίσω μέρος του εγχειριδίου. Ο κάτωθι υπογεγραμμένος είναι υπεύθυνος για την κατάρτιση του τεχνικού φακέλου και δηλώνει τα παρόντα εκ μέρους της Black & Decker.

Ed Higgins

Διευθυντής – Καταναλωτικά Ηλεκτρικά Εργαλεία  
Black & Decker Europe, 270 Bath Road, Slough,  
Berkshire, SL1 4DX  
United Kingdom (Ηνωμένο Βασίλειο)  
17/2/2020

## Εγγύηση

Η Black & Decker είναι σίγουρη για την ποιότητα των προϊόντων της και προσφέρει στους καταναλωτές εγγύηση 24 μηνών από την ημερομηνία αγοράς. Αυτή η εγγύηση συμπληρώνει και με κανένα τρόπο δεν παραβάλλει τα νόμιμα δικαιώματά σας. Η εγγύηση ισχύει εντός της επικράτειας των χωρών μελών της Ευρωπαϊκής Ένωσης και της Ευρωπαϊκής Ζώνης Ελεύθερων Συναλλαγών.

Για να υποβάλετε αξίωση βάσει της εγγύησης, η αξίωση θα πρέπει να είναι σύμφωνη με τους Όρους και προϋποθέσεις της Black & Decker και θα χρειαστεί να υποβάλετε απόδειξη αγοράς στον πωλητή ή σε εξουσιοδοτημένο αντιπρόσωπο ετισσκευών.

Μπορείτε να αποκτήσετε τους Όρους και προϋποθέσεις της εγγύησης 2 ετών της Black & Decker και να μάθετε την τοποθεσία του πλησιέστερου εξουσιοδοτημένου αντιπροσώπου επισκευών στο Internet στο [www.2helpU.com](http://www.2helpU.com), ή επικοινωνώντας με το τοπικό σας γραφείο Black & Decker στη διεύθυνση που υποδεικνύεται στο παρόν εγχειρίδιο.

Παρακαλούμε επισκεφθείτε την ιστοσελίδα μας [www.blackanddecker.gr](http://www.blackanddecker.gr) για να καταχωρίσετε το νέο σας προϊόν Black & Decker και για να ενημερώνεστε για τα νέα προϊόντα και τις ειδικές προσφορές.







<b>België/Belgique/Luxembourg</b> www.blackanddecker.be enduser.be@sbdinc.com	Stanley Black & Decker Belgium BVBA Egide Walschaertsstraat 16 2800 Mechelen	Tel. NL +32 15 47 37 65 Tel. FR +32 15 47 37 66 Fax. +32 15 47 37 99
<b>Danmark</b>	Black & Decker Roskildevej 22 2620 Albertslund	kundeservice.dk@sbdinc.com www.blackanddecker.dk
<b>Deutschland</b> www.blackanddecker.de infobfge@sbdinc.com	Stanley Black & Decker Deutschland GmbH Black & Decker Str. 40, D - 65510 Idstein	Tel. 06126 21-0 Fax 06126 21-2980
<b>Ελλάδα</b> www.blackanddecker.gr greece.service@sbdinc.com	Stanley Black & Decker (ΕΛΛΑΣ) Ε.Π.Ε ΓΡΑΦΕΙΑ: Σπύριδωνος 7 & Βουλιαγμένης 166 74 Γλυφάδα - Αθήνα	Τηλ. 210-8981616 Φαξ 210-8983570
<b>SERVICE:</b>	Ημερος Τόπος 2 -Χάνι Αδάμ 193 00 Ασπρόπυργος - Αθήνα	Τηλ. Service 210-8985208 Φαξ 210-5597598
<b>España</b> www.blackanddecker.es respuesta.posventa@sbdinc.com	Stanley Black & Decker Ibérica, S.C.A. Parc de Negocis "Mas Blau" Edificio Muntadas, c/Bergadá, 1, Of. A6 08820 El Prat de Llobregat (Barcelona)	Tel. 934 797 400 Fax 934 797 419
<b>France</b> www.blackanddecker.fr	Black & Decker (France) S.A.S. 5 allée des Hêtres B.P. 30084 69579 Limonest Cédex	Tel. 04 72 20 39 20 Fax 04 72 20 39 00
<b>Helvetia</b> www.blackanddecker.ch service@rofoag.ch	ROFO AG Gewerbezone Seeblick 3213 Kleinbödingen	Tel. 026-6749393 Fax 026-6749394
<b>Italia</b> www.blackanddecker.it service.italia@sbdinc.com	Stanley Black & Decker Italia Via Energypark 6 20871 Vimercate (MB)	Tel. 039-9590200 Fax 039-9590313 Numero verde 800-213935
<b>Nederland</b> www.blackanddecker.nl enduser.nl@sbdinc.com	Stanley Black & Decker Netherlands BV Holtum Noordweg 35, 6121 RE BORN Postbus 83, 6120 AB BORN	Tel. +31 164 283 065 Fax +31 164 283 200
<b>Norge</b>	Black & Decker Postboks 4613, Nydalen 0405 Oslo	kundeservice.no@sbdinc.com www.blackanddecker.no
<b>Österreich</b> www.blackanddecker.at service.austria@sbdinc.com	Stanley Black & Decker Austria GmbH Oberlaaerstraße 248, A-1230 Wien	Tel. 01 66116-0 Fax 01 66116-614
<b>Portugal</b> www.blackanddecker.pt resposta.posvenda@sbdinc.com	Black & Decker Limited SARL Quinta da Fonte - Edifício Q55 D, Diniz Rua dos Malhães, 2 e 2A - Piso 2 Esquerdo 2770 - 071 Paço de Arcos	Tel. 214667500 Fax 214667580
<b>Suomi</b>	Black & Decker PL47 00521, Helsinki	asiakaspalvelu.fi@sbdinc.com www.blackanddecker.fi
<b>Sverige</b>	Black & Decker AB Box 94, 431 22 Mölndal	kundservice.se@sbdinc.com www.blackanddecker.se
<b>Türkiye</b> www.blackanddecker.com.tr	KALE Hırdavat ve Makina A.Ş. Deftardar Mah. Savaklar Cad. No:15 Edimekapı / Eyüp / İstanbul 34050	Tel. 0212 533 52 55 Fax. 0212 533 10 05
<b>United Kingdom &amp; Republic Of Ireland</b> www.blackanddecker.co.uk emeaservice@sbdinc.com	Black & Decker 270 Bath Road Slough, Berkshire SL14DX	Tel. 01753 511234 Fax 01753 512365
<b>Middle East &amp; Africa</b> www.blackanddecker.ae service.mea@sbdinc.com	Black & Decker P.O.Box - 17164 Jebel Ali Free Zone (South), Dubai, UAE	Tel. +971 4 8863030 Fax +971 4 8863333