



EN

FR

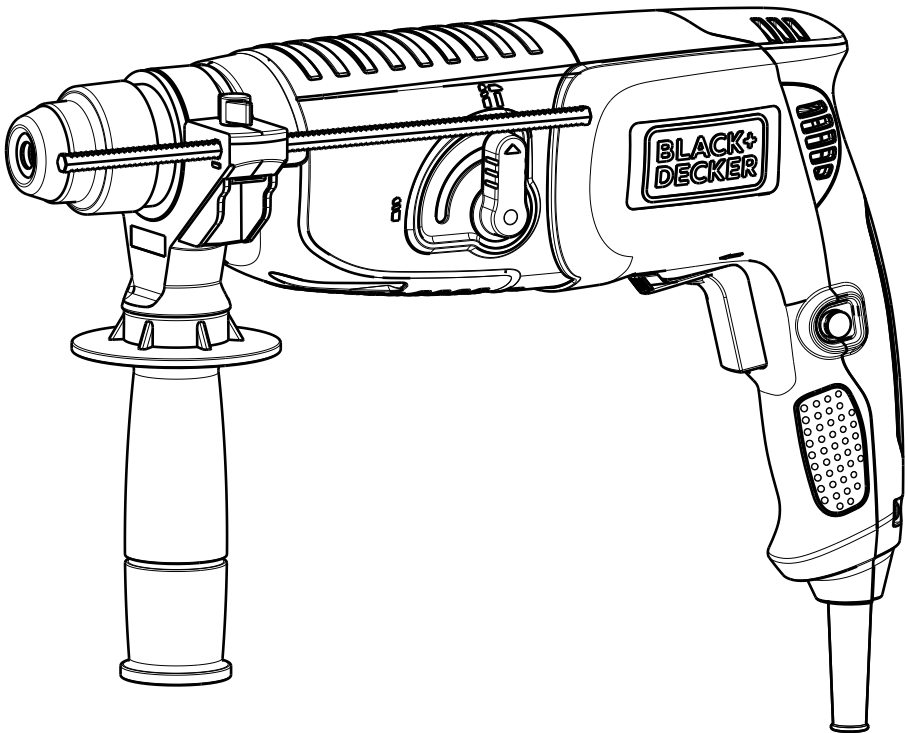
PT

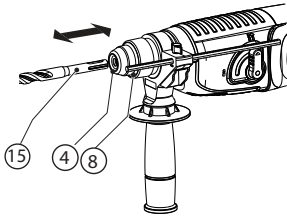
RU

TR

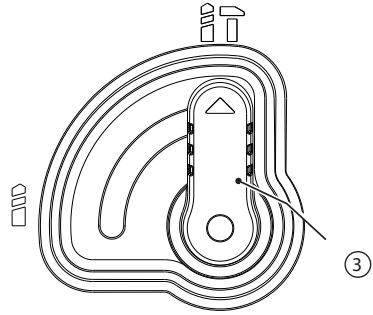
UA

AR

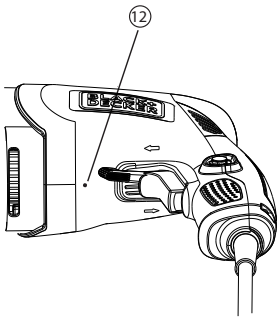




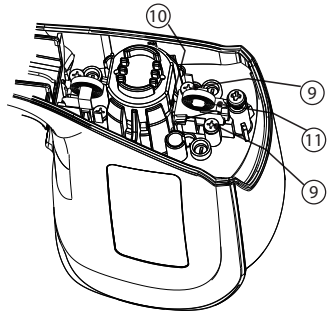
A



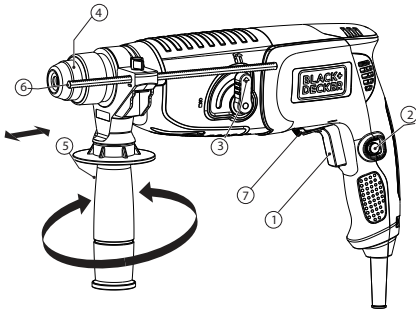
B



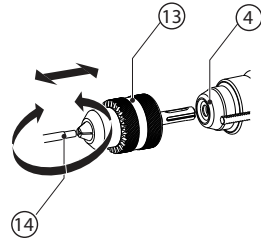
C



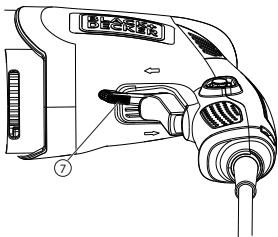
D



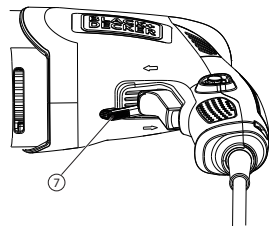
E



F



G



H

Intended use

Your BLACK+DECKER BDHR202 SDS plus rotary hammer is intended to drill holes in concrete, bricks, wood, and steel or u se for screw driver.

Safety instructions

General power tool safety warnings



Warning! Read all safety warnings and all instructions. Failure to

follow the warnings and instructions may result in electric shock, fire and/or serious injury.

Save all warnings and instructions for future reference. The term “power tool” in the warnings refers to your mainsoperated (corded) power tool or battery-operated (cordless) power tool.

1. Work area safety

- a. **Keep work area clean and well lit.** Cluttered or dark areas invite accidents.
- b. **Do not operate power tools in explosive atmospheres, such as in the presence of flammable liquids, gases or dust.** Power tools create sparks which may ignite the dust or fumes.
- c. **Keep children and bystanders away while operating a power tool.** Distractions can cause you to lose control.

2. Electrical safety

- a. **Power tool plugs must match the outlet. Never modify the plug in any way. Do not use any adapter plugs with earthed (grounded) power tools.** Unmodified plugs and matching outlets will reduce risk of electric shock.
- b. **Avoid body contact with earthed or grounded surfaces such as pipes, radiators, ranges and refrigerators.** There is an increased risk of electric shock if your body is earthed or grounded.
- c. **Do not expose power tools to rain or wet conditions.** Water entering a power tool will increase the risk of electric shock.

- d. **Do not abuse the cord. Never use the cord for carrying, pulling or unplugging the power tool. Keep cord away from heat, oil, sharp edges or moving parts.** Damaged or entangled cords increase the risk of electric shock.
- e. **When operating a power tool outdoors, use an extension cord suitable for outdoor use.** Use of a cord suitable for outdoor use reduces the risk of electric shock.
- f. **If operating a power tool in a damp location is unavoidable, use a residual current device (RCD) protected supply.** Use of an RCD reduces the risk of electric shock. NOTE: The term “residual current device (RCD)” may be replaced by the term “ground fault circuit interrupter (GFCI)” or “earth leakage circuit breaker (ELCB)”.

3. Personal safety

- a. **Stay alert, watch what you are doing and use common sense when operating a power tool. Do not use a power tool while you are tired or under the influence of drugs, alcohol or medication.** A moment of inattention while operating power tools may result in serious personal injury.
- b. **Use personal protective equipment. Always wear eye protection.** Protective equipment such as dust mask, non-skid safety shoes, hard hat, or hearing protection used for appropriate conditions will reduce personal injuries.
- c. **Prevent unintentional starting. Ensure the switch is in the off-position before connecting to power source and/or battery pack, picking up or carrying the tool.** Carrying power tools with your finger on the switch or energising power tools that have the switch on invites accidents.
- d. **Remove any adjusting key or wrench before turning the power tool on.** A wrench or a key left attached to a rotating part of the power tool may result in personal injury.
- e. **Do not overreach. Keep proper footing and balance at all times.** This enables better control of the power tool in unexpected situations.

- f. Dress properly. Do not wear loose clothing or jewellery. Keep your hair, clothing and gloves away from moving parts.** Loose clothes, jewellery or long hair can be caught in moving parts.
- g. If devices are provided for the connection of dust extraction and collection facilities, ensure these are connected and properly used.** Use of dust collection can reduce dust-related hazards.
- 4. Power tool use and care**
- a. Do not force the power tool. Use the correct power tool for your application.** The correct power tool will do the job better and safer at the rate for which it was designed.
- b. Do not use the power tool if the switch does not turn it on and off.** Any power tool that cannot be controlled with the switch is dangerous and must be repaired.
- c. Disconnect the plug from the power source and/or the battery pack from the power tool before making any adjustments, changing accessories, or storing power tools.** Such preventive safety measures reduce the risk of starting the power tool accidentally.
- d. Store idle power tools out of the reach of children and do not allow persons unfamiliar with the power tool or these instructions to operate the power tool.** Power tools are dangerous in the hands of untrained users.
- e. Maintain power tools. Check for misalignment or binding of moving parts, breakage of parts and any other condition that may affect the power tools operation. If damaged, have the power tool repaired before use.** Many accidents are caused by poorly maintained power tools.
- f. Keep cutting tools sharp and clean.** Properly maintained cutting tools with sharp cutting edges are less likely to bind and are easier to control.
- g. Use the power tool, accessories and tool**

bits etc. in accordance with these instructions, taking into account the working conditions and the work to be performed. Use of the power tool for operations different from those intended could result in a hazardous situation.

5. Service

- a. Have your power tool serviced by a qualified repair person using only identical replacement parts.** This will ensure that the safety of the power tool is maintained.

* **Note:** Mains voltage: When connecting to the mains, it is imperative to verify if the voltage of the mains matches that of the power tool. If the mains voltage exceeds the voltage indicated on the power tool, the user may become severely injured in an accident, and the tool may be damaged. On the contrary, if the mains voltage is lower than the voltage required by the tool, the motor may be damaged as a result. Thus, if it is not possible to verify the voltage, it is imperative not to plug in to the power source.

Hammer safety warnings

- **Wear ear protectors.** Exposure to noise can cause hearing loss.
- **Use auxiliary handle(s), if supplied with the tool.** Loss of control can cause personal injury.
- **Hold power tool by insulated gripping surfaces, when performing an operation where the cutting accessory may contact hidden wiring or its own cord.** Cutting accessory contacting a “live” wire may make exposed metal parts of the power tool “live” and could give the operator an electric shock.
- Never use a chisel accessory in rotary mode. The accessory will bind in the material and rotate the drill.
- Use clamps or another practical way to secure and support the workpiece to a stable platform. Holding the work by hand or against your body leaves it unstable and may lead to loss of control.

- Before drilling into walls, floors or ceilings, check for the location of wiring and pipes.
- Avoid touching the tip of the drill bit after drilling so as to avoid scalding.
- The intended use is described in this instruction manual. The use of any accessory or attachment or performance of any operation with this tool other than those recommended in this instruction manual may present a risk of personal injury and/or damage to property.

Safety of others

- This appliance is not intended for use by persons (including children) with reduced physical, sensory or mental capabilities, or lack of experience and knowledge, unless they have been given supervision or instruction concerning use of the appliance by a person responsible for their safety.
- Children should be supervised to ensure that they do not play with the appliance.

Other risks

Additional residual risks may arise when using the tool which may not be included in the enclosed safety warnings. These risks can arise from misuse, prolonged use etc. In spite of the application of the relevant safety regulations and the implementation of safety devices, certain risks cannot be avoided.

These are:

- Injuries caused by touching any rotating/moving parts.
- Injuries caused when changing any parts, blades or accessories.
- Injuries caused by prolonged use of a tool. When using any tool for prolonged periods ensure you take regular breaks.
- Impairment of hearing.
- Health hazards caused by breathing dust developed when using your tool (example:- working with wood, especially oak, beech and MDF.)

Labels on tool

The following symbols are shown on the tool:



Warning! To reduce the risk of injury, the user must read the instruction manual.

Position of Date Barcode (Fig. C)

The Date Code (12), which also includes the year of manufacture, is printed into the housing.

Example:

2015 XX JN
Year of manufacturing

Electrical Safety



Your tool is double insulated; therefore no earth wire is required. Be sure to check that the power supply corresponds to the voltage on the rating plate. Corresponds.

- If the supply cord is damaged, it must be replaced by the manufacturer or an authorised Black and Decker Service Centre in order to avoid a hazard.

Using an Extension Cable

If it is necessary to use an extension cable, please use an approved extension cable that fits the tool's power input specifications (please refer to the technical data). The minimum cross-sectional area of the conducting wire is 1.5 sq. mm. Cables should be untangled before reeling up.

Please refer to the following table.

Cable cross-sectional area (mm ²)	Cable rated current (Ampere)
0.75	6
1.00	10
1.50	15
2.50	20
4.00	25
Cable length (m)	
	7.5 15 25 30 45 60

Voltage	Amperes	Cable rated current (Ampere)
115	0 - 2.0	6 6 6 6 6 10
	2.1 - 3.4	6 6 6 6 15 15
	3.5 - 5.0	6 6 10 15 20 20
	5.1 - 7.0	10 10 15 20 20 25
	7.1 - 12.0	15 15 20 25 25 -
230	0 - 2.0	20 20 25 - - -
	2.1 - 3.4	6 6 6 6 6 6
	3.5 - 5.0	6 6 6 6 10 15
	5.1 - 7.0	10 10 10 10 15 15
	7.1 - 12.0	15 15 15 15 20 20
	12.1 - 20.0	20 20 20 20 25 -

Features (Fig. E)

This tool includes some or all of the following features.

1. Variable speed switch
2. Lock-on button
3. Mode selector
4. Tool clamp
5. Side handle
6. Depth stop
7. Forward / Reverse lever

Assembly

Warning! Before assembly, make sure that the tool is switched off and unplugged.

Attaching the Side Handle (fig. E)

Warning! When drilling holes in concrete or bricks, please use the side handle for your safety.

- Turn the grip counterclockwise until you can slide the side handle onto the front of the tool.

- Rotate the side handle into the desired position.
- Tighten the side handle by turning the grip clockwise.

Warning! When using the tool, remember to install the side handles properly.

Fitting an accessory (fig.A)

- Clean and grease the shank (15) of the accessory.
- Insert the accessory bar into the tool clamp(4).
- Push the accessory down and turn it slightly until it fits into the slots.
- Pull on the accessory to check if it is properly locked. The hammering and drilling function requires the accessory to be able to move axially several centimetres when locked in the tool clamp.
- To remove the accessory, pull back the sleeve (8) and pull out the accessory from the tool clamp.

Use

Warning! Please operate tool with normal load. Do not overload.

Warning! Before drilling into walls, floors or ceilings, check for the location of wiring and pipes.

Selecting the Operating Mode (fig. B)

The tool can be used in two operating modes. Based on actual work requirements, the drilling mode selector (3) can be rotated to the required position.

Hole drilling / Screw driver (Fig. B, F, G, H)

- For drilling in steel, wood and plastics, or tighten and loose screw set the operating mode selector (3) to the (2) position. At the same time, it is necessary to use a suitable drill chuck (13) (optional accessory) to clamp the attachmentrod.

- Insert the drill chuck (13) into the tool chuck (4) according to the instructions for installing attachments. Turn the drill chuck to loosen the clamps at the front-end of the drill clamp, and insert the accessory bar (14) into the clamps and turn the chuck in the opposite direction. You may also use the drill chuck key to tighten the clamp.
- For drilling in steel, wood and plastics, set the forward/reverse (7) lever to the forward/reverse position (Fig G). When use for screw driver function, tighten screws set the forward / reverse (7) lever to the forward position (Fig G) and loose screws set the forward / reverse (7) lever to the reverse position (Fig H).

Hammer drilling (Fig. B)

- For hammer drilling in masonry and concrete, set the operating mode selector (3) to the **T1** position.
- The drill bit has to be placed accurately onto the drill hole position. After that, pull the switch for optimal effects. Make sure the tool is in the correct position to prevent the drill from deviating from the hole.
- When the drill hole is clogged with debris or fine powder, please don't exert any more pressure. Tool should be put in free-running state before removing part of the drill bit from the hole. If repeated a few times, the blockage in the hole would be cleared, and normal drilling can resume.

Warning! When the drill bit hits cement or the steel rebar in the cement, the tool may recoil dangerously. Please hold the tool tightly in a balanced and stable position at all times to prevent it from recoiling dangerously.

Overload coupling device

If the drill bit his caught or hooked, the driving force transmitted to the drill shaft will be cut off. This would generate a strong recoil, so it would be necessary to hold the tool tightly with both hands to remain in a stable position.

Setting the drilling depth (Fig. E)

The depth stop is a convenient feature to

ensure uniformity in drilling depth. Loosen the side handle to adjust the depth gauge according to the required depth. After that, tighten the side handle.

- Slacken the side handle (5) by turning the grip counterclockwise.
- Set the depth stop (6) to the required position. The maximum drilling depth is equal to the distance between the tip of the drill bit and the front end of the depth stop.
- Tighten the side handle by turning the grip clockwise.

Switching on and off

Warning! Before plugging in to the power source, make sure the switch can be flipped freely, and can return to its original position once released.

- To switch the tool on, press the variable speed switch (1). The tool speed depends on how far you press the switch.
- As a general rule, use low speeds for large diameter drill bits and high speeds for smaller diameter drill bits.
- For continuous operation, press the lock-on button (2) and release the variable speed switch.
- To switch the tool off, release the variable speed switch. To switch the tool off when in continuous operation, press the variable speed switch once more and release it.

Accessories

The performance of your tool depends on the accessory used. BLACK+DECKER accessories are engineered to high quality standards and designed to enhance the performance of your tool. By using these accessories you will get the very best from your tool.

Maintenance

Your BLACK+DECKER corded/cordless appliance/tool has been designed to operate over a long period of time with a minimum of maintenance. To ensure satisfactory operations, the tool must be maintained and cleaned regularly

Warning! Before performing any maintenance on corded/ cordless power tools:

- Switch off and unplug the appliance/tool.
- Or switch off and remove the battery from the appliance/tool if the appliance/tool has a separate battery pack.
- Or run the battery down completely if it is integral and then switch off.
- Unplug the charger before cleaning it. Your charger does not require any maintenance apart from regular cleaning.
- Regularly clean the ventilation slots in your appliance/tool/charger using a soft brush or dry cloth.
- Regularly clean the motor housing using a damp cloth. Do not use any abrasive or solvent-based cleaner.
- Regularly open the chuck and tap it to remove any dust from the interior (when fitted).

Replace the carbon brush (Fig. D)



Lubrication

- Regularly replace and inspect the carbon brush. Once completely worn out by continuous wear and tear, it will have to be replaced. Must keep carbon brush clean and sliding freely within the brush holder. Both carbon brushes have to be replaced at the same time.
- Remove the fixed screws (9) on the carbon brush to remove the carbon brush (10) and brush holder.
- Remove the coil spring supporting the carbon brush (11) in the brush holder, and insert a new carbon brush that meets the specifications.
- Set up the brush holder again and return the supporting coil spring to its original position.



Cleaning



Warning! Blow dirt and dust out of the main housing with dry air as often as dirt is seen collecting in and around the air vents. Wear approved eye protection and approved dust mask when performing this procedure.



Warning! Never use solvents or other harsh chemicals for cleaning the non-metallic parts of the tool. These chemicals may weaken the material of the parts. Use only mild soap and damp cloth to clean the tool. Never let any liquid get inside the tool; never immerse any part of the tool into liquid.

Service Information

BLACK+DECKER offers a full network of company-owned and authorized service locations throughout Asia. All BLACK+DECKER Service Centers are staffed with trained personnel to provide customers with efficient and reliable product service.

Whether you need technical advice, repair, or genuine factory replacement parts, contact the BLACK+DECKER location nearest to you.

NOTE

- BLACK+DECKER's policy is one of continuous improvement to our products and, as such, we reserve the right to change product specifications without prior notice.
- Standard equipment and accessories may vary by country.
- Product specifications may differ by country.
- Complete product range may not be available in all countries. Contact your local BLACK+DECKER dealers for range availability

Technical data

BDHR202		
Power input	W	620
Voltage	V	220-240
Frequency	Hz	50/60
No-load speed	/min	0-1250
Impact rate	BPM	0-3900
Impact energy	J	1,34
Modes		2
Max drilling capacity		
Concrete	mm	20
Steel	mm	13
Wood	mm	25
Weight	kg	2.6

Protecting the environment



Separate collection. This product must not be disposed of with normal household waste.

Should you find one day that your BLACK+DECKER product needs replacement, or if it is of no further use to you, do not dispose of it with household waste. Make this product available for separate collection.



Separate collection of used products and packaging allows materials to be recycled and used again. Reuse of recycled materials helps prevent environmental pollution and reduces the demand for raw materials.

Local regulations may provide for separate collection of electrical products from the household, at municipal waste sites or by the retailer when you purchase a new product.

BLACK+DECKER provides a facility for the collection and recycling of BLACK+DECKER products once they have reached the end of their working life. To take advantage of this service please return your product to any authorised repair agent who will collect them on our behalf.

You can check the location of your nearest authorised repair agent by contacting your local BLACK+DECKER office at the address indicated in this manual. Alternatively, a list of authorised BLACK+DECKER repair agents and full details of our after-sales service and contacts are available on the Internet at: www.2helpU.com.

Guarantee

Black + Decker is confident of the quality of its products and offers an outstanding guarantee. This guarantee statement is in addition to and in no way prejudices your statutory rights.

If a Black + Decker product becomes defective due to faulty materials, workmanship or lack of conformity, within 24 months from the date of purchase, BLACK+DECKER guarantees to replace defective parts, repair products subjected to fair wear and tear or replace such products to make sure of the minimum inconvenience to the customer unless:

- The product has been used for trade, professional or hire purposes.
- The product has been subjected to misuse or neglect.
- The product has sustained damage through foreign objects, substances or accidents.
- Repairs have been attempted by persons other than authorised repair agents or Black + Decker service staff.

To claim on the guarantee, you will need to submit proof of purchase to the seller or an authorised repair agent. You can check the location of your nearest authorised repair agent by contacting your local BLACK+DECKER office at the address indicated in this manual. Alternatively, a list of authorised BLACK+DECKER repair agents and full details of our aftersales service and contacts are available on the Internet at: www.2helpU.com

Usage prévu

Votre marteau-perforateur rotatif BLACK+DECKER BDHR202 SDS est conçu pour percer des trous dans le béton, les briques, le bois ou l'acier et peut être utilisé comme tournevis.

Consignes de sécurité

Avertissements de sécurité générale de l'outil.



Avertissement ! Lisez toutes les consignes de sécurité et toutes les instructions. Le non-respect de ces

avertissements et de ces instructions peut causer un incendie, une électrocution ou de graves blessures.

Conservez ces avertissements et ces instructions à titre de référence ultérieure.

Le terme « outil électrique » dans les avertissements fait référence à votre outil électrique alimenté par batterie (avec cordon d'alimentation) ou votre outil fonctionnant sur batterie (sans cordon).

1. Sécurité de la zone de travail

- a. **Maintenez la zone de travail propre et bien éclairée.** Un lieu de travail en désordre ou mal éclairé augmente le risque d'accidents.
- b. **N'utilisez pas les outils électroportatifs dans un environnement présentant des risques d'explosion ni en présence de liquides, gaz ou poussières inflammables.** Les outils électroportatifs génèrent des étincelles risquant d'enflammer les poussières ou les vapeurs.
- c. **Tenez les enfants et autres personnes éloignés durant l'utilisation de l'outil électroportatif.** En cas d'inattention, vous risquez de perdre le contrôle de l'outil.

2. Sécurité électrique

- a. **La prise de l'outil électroportatif doit être compatible avec la prise d'alimentation. Ne modifiez en aucun cas la prise. N'utilisez pas de prises d'adaptateur avec des appareils ayant une prise de terre.** Le respect de ces

consignes réduit le risque de choc électrique.

- b. **Évitez le contact physique avec des surfaces mises à la terre telles que tuyaux, radiateurs, fours et réfrigérateurs.** Il y a un risque élevé de choc électrique si votre corps est relié à la terre.
 - c. **N'exposez pas l'outil électroportatif à la pluie ou à l'humidité.** La pénétration d'eau dans un outil électroportatif augmente le risque de choc électrique.
 - d. **Préservez le câble d'alimentation. N'utilisez pas le câble pour porter l'outil, pour l'accrocher. Ne le tirez pas pour le débrancher. Maintenez le câble éloigné des sources de chaleurs, des parties huilées, des bords tranchants ou des parties de l'appareil en rotation.** Le risque de choc électrique augmente si les câbles sont endommagés ou emmêlés.
 - e. **Si vous utilisez l'outil électroportatif à l'extérieur, utilisez une rallonge homologuée pour une utilisation à l'extérieur.** L'utilisation d'une rallonge électrique homologuée pour les travaux à l'extérieur réduit le risque de choc électrique.
 - f. **Si l'outil doit être utilisé dans un endroit humide, prenez les précautions nécessaires en utilisant un dispositif à courant résiduel (RCD).** L'utilisation d'un tel dispositif réduit les risques d'électrocution. Remarque: Le terme "dispositif à courant résiduel (RCD)" peut être remplacé par le terme "disjoncteur de fuite à la terre (GFCI)" ou par "interrupteur différentiel de sécurité (ELCB)".
- #### 3. Sécurité personnelle
- a. **Restez vigilant, surveillez ce que vous faites. Faites preuve de bon sens quand vous utilisez un outil électroportatif. N'utilisez pas l'outil lorsque vous êtes fatigué ou après avoir consommé de l'alcool ainsi que des médicaments.** Un moment d'inattention lors de l'utilisation de l'outil peut entraîner de graves blessures.

- b. Portez un équipement de protection. Portez toujours des lunettes de protection.** Selon le travail à effectuer, le port d'équipement de protection tels que masque anti-poussières, chaussures de sécurité antidérapantes, casque ou protection auditive, réduit le risque de blessures.
- c. Évitez un démarrage imprévu. L'outil doit être en position OFF (arrêt) avant d'effectuer le branchement à l'alimentation et/ou au bloc-batterie, de le ramasser ou de le porter.** Ne laissez pas votre doigt sur le bouton de commande en le transportant. N'alimentez pas l'outil si le bouton est activé. Ceci pourrait être à l'origine d'accident.
- d. Enlevez tout outil ou clé de réglage avant de mettre l'appareil en marche.** Une clé ou un outil se trouvant sur une pièce en rotation peut causer des blessures.
- e. Adoptez une position confortable. Adoptez une position stable et gardez votre équilibre en permanence.** Vous contrôlerez mieux l'outil dans des situations inattendues.
- f. Portez des vêtements appropriés. Ne portez pas de vêtements amples ou de bijoux. N'approchez pas les cheveux, vêtements ou gants des parties des pièces mobiles.** Les vêtements amples, les bijoux ou les cheveux longs peuvent s'accrocher dans les pièces en mouvement.
- g. En cas d'utilisation d'appareils servant à aspirer ou à recueillir les poussières, assurez-vous qu'ils sont correctement raccordés et utilisés.** L'utilisation de tels dispositifs réduit les dangers dus aux poussières.
- 4. Utilisation des outils électroportatifs et précautions**
- a. Respectez la capacité de l'outil. Utilisez l'outil électroportatif correspondant au travail à effectuer.** Avec un outil approprié, vous travaillerez mieux et en toute sécurité.
- b. N'utilisez pas un outil électroportatif dont l'interrupteur est défectueux.** Un outil électroportatif qui ne peut plus être mis en marche/arrêt présente un danger et doit être réparé.
- c. Retirez la prise de courant et/ou débranchez le bloc-batterie avant d'effectuer des réglages, de changer les accessoires ou de ranger l'outil.** Cette mesure de précaution empêche de mettre l'outil en marche accidentellement.
- d. Rangez les outils électroportatifs hors de portée des enfants. Les personnes ne connaissant pas l'outil ou n'ayant pas lu ces instructions ne doivent en aucun cas l'utiliser.** Les outils électroportatifs sont dangereux lorsqu'ils sont utilisés par des personnes non initiées.
- e. Entretenez les outils électroportatifs. Vérifiez que les parties en mouvement fonctionnent correctement et qu'elles ne sont pas coincées. Vérifiez qu'il n'y a pas de pièces cassées ou endommagées susceptibles de nuire au bon fonctionnement de l'outil. S'il est endommagé, faites réparer l'outil avant de l'utiliser.** De nombreux accidents sont dus à des outils électroportatifs mal entretenus.
- f. Maintenez les outils de coupe aiguisés et propres.** Des outils soigneusement entretenus avec des bords tranchants bien aiguisés se coincent moins souvent et peuvent être guidés plus facilement.
- g. Utilisez les outils électroportatifs, les accessoires, etc., en suivant ces instructions et en tenant compte des conditions de travail, ainsi que du travail à effectuer.** L'utilisation des outils électroportatifs à d'autres fins que celles prévues peut vous mettre en situation dangereuse.
- 5. Réparations**
- a. Faites réparer votre outil électroportatif uniquement par du personnel qualifié et seulement avec des pièces de rechange appropriées.** Cela garantira le maintien de la sécurité de votre outil.

***Remarque:** Tension secteur : Lorsque vous connectez l'outil au secteur, il est impératif de vérifier si la tension secteur correspond à celle de l'outil. Lorsque la tension secteur est supérieure à celle spécifiée sur l'outil, en cas d'accident, l'utilisateur peut être gravement blessé et l'outil endommagé. Au cas contraire, lorsque la tension secteur est inférieure à celle requise par l'outil, le moteur peut être endommagé. Par conséquent, en cas d'impossibilité de vérifier la tension, il est impératif de ne pas brancher l'outil à la source d'alimentation.

Consignes de sécurité relatives au marteau

- **Portez des protecteurs auditifs.** Une exposition au bruit peut causer une perte auditive.
- **Utilisez des poignées supplémentaires si elles ont été fournies avec l'outil.** Toute perte de contrôle peut causer des dommages corporels.
- **Tenez l'outil électrique uniquement par les surfaces de prise isolées lorsque vous effectuez une opération au cours de laquelle l'accessoire coupant peut être en contact avec des câbles cachés ou avec son propre câble d'alimentation.** Si l'accessoire de découpe entre en contact avec un câble « sous tension », les pièces métalliques de l'outil électrique risquent de transmettre le courant et infliger un choc électrique à l'opérateur.
- N'utilisez jamais un accessoire en ciseaux en mode rotatif. En effet, l'accessoire va se fixer au matériel et faire tourner la foreuse.
- Utilisez un étrier ou un étau de serrage pour tenir la pièce à traiter et la transporter vers une plate-forme stable. Le fait de tenir la pièce à traiter avec votre main ou l'appuyer contre votre corps la rend instable et peut provoquer une perte de contrôle.
- Avant de percer les murs, les sols ou les plafonds, vérifiez la position des câbles et tuyaux.
- Ne touchez pas la pointe du trépan afin d'éviter tout échaudage.

- L'utilisation prévue est décrite dans le présent manuel. L'utilisation d'accessoires, de pièces rajoutées et de l'appareil en lui-même autre que celle définie dans le présent manuel d'instructions présente un risque de blessure et de dommages matériels.

Sécurité d'autrui

- Cet appareil n'est pas prévu pour être utilisé par des personnes (y compris les enfants) présentant des capacités physiques, sensorielles ou mentales réduites, ou manquant d'expérience et de connaissances, sans surveillance ou sans avoir reçu d'instructions concernant l'utilisation de l'appareil de la part d'une personne responsable de leur sécurité.
- Les enfants doivent être surveillés pour s'assurer qu'ils ne jouent pas avec l'appareil.

Autres risques

Il est possible que des risques résiduels additionnels non inclus dans les consignes de sécurité du présent manuel surviennent lors de l'utilisation de l'appareil. Ces risques peuvent être dus à une mauvaise utilisation, une utilisation prolongée, etc. Malgré le respect des consignes de sécurité correspondantes et la mise en œuvre des dispositifs de sécurité, certains risques ne peuvent être évités.

Il s'agit :

- des blessures provoquées par le contact avec des pièces rotatives/mobiles ;
- des blessures provoquées lors du changement des pièces, lames ou accessoires ;
- Des blessures provoquées par un usage prolongé de l'appareil. Assurez-vous prendre régulièrement des pauses lors d'un usage prolongé d'un appareil.
- Troubles de l'audition
- Il existe des risques pour la santé causés par l'inhalation de poussière qui se développent lors de l'utilisation de votre appareil (exemple : travailler du bois et en particulier le chêne, hêtre, ou MDF.)

Étiquettes de l'outil

Les symboles suivants sont présents sur votre outil :



Attention! Afin de réduire tout risque de blessure, l'utilisateur doit lire le manuel d'instruction.

Emplacement du code-barres de date (Fig. C)

Le code-barres de date (12) qui comporte également l'année de fabrication est imprimé sur le boîtier.

Exemple :

2015 XX JN
Année de fabrication

Sécurité électrique



Votre outil dispose d'une double isolation ; par conséquent, aucun fil de terre n'est nécessaire. Assurez-vous que l'alimentation correspond à la tension indiquée sur la plaque signalétique. Conformité.

- Si le cordon d'alimentation est endommagé, faites-le remplacer par le fabricant ou un centre de service agréé BLACK+DECKER afin d'éviter tout danger.

Utilisation d'une rallonge

S'il est nécessaire d'utiliser une rallonge, veuillez utiliser une rallonge approuvée qui corresponde aux spécifications de l'entrée de puissance de l'outil (reportez-vous aux caractéristiques techniques). La section transversale minimale du fil conducteur est de 1,5 mm². Assurez-vous que les câbles sont démêlés avant de les enrouler.

Reportez-vous au tableau suivant.

Valeur de la section transversale du câble (mm ²)	Valeur du courant nominal du câble (Ampère)
0,75	6
1,00	10
1,50	15

2,50	20
4,00	25
Longueur du câble (m)	
7,5	15 25 30 45 60

Tension	Ampères	Valeur du courant nominal du câble (ampère)					
115	0 - 2,0	6	6	6	6	6	10
	2,1 - 3,4	6	6	6	6	15	15
	3,5 - 5,0	6	6	10	15	20	20
	5,1 - 7,0	10	10	15	20	20	25
230	7,1 - 12,0	15	15	20	25	25	-
	12,1 - 20,0	20	20	25	-	-	-
	0 - 2,0	6	6	6	6	6	6
230	2,1 - 3,4	6	6	6	6	6	6
	3,5 - 5,0	6	6	6	6	10	15
	5,1 - 7,0	10	10	10	10	15	15
	7,1 - 12,0	15	15	15	15	20	20
	12,1 - 20,0	20	20	20	20	25	-

Caractéristiques (Fig. A)

Cet outil présente certaines ou toutes les caractéristiques suivantes.

1. Interrupteur à gâchette pour vitesses variables
2. Bouton de verrouillage
3. Sélecteur de mode
4. Dispositif de fixation d'outil
5. Poignée latérale
6. Butée de profondeur
7. Levier avant/arrière

Montage

Avertissement ! Avant le montage, assurez-vous que l'outil est éteint et débranché.

Fixation de la poignée latérale (fig. E)

Avertissement ! Lorsque vous percez des trous dans le béton ou les briques, veuillez utiliser la poignée latérale pour votre propre sécurité.

- Tournez la prise dans le sens antihoraire jusqu'à ce que vous puissiez glisser la poignée latérale vers l'avant de l'outil.
- Tournez ensuite la poignée latérale dans la position souhaitée.
- Resserrez la poignée latérale en tournant la prise dans le sens horaire.
Avertissement ! Lorsque vous utilisez l'appareil, assurez-vous de monter correctement les poignées latérales.

Fixation d'un accessoire (fig. A)

- Nettoyez et graissez la tige (15) de l'accessoire. • Insérez la barre de l'accessoire à l'intérieur du dispositif de fixation (4).
- Poussez l'accessoire vers le bas et tournez-le légèrement jusqu'à ce qu'il s'emboîte dans les fentes.
- Tirez sur l'accessoire pour vous assurer qu'il est correctement fixé. Les fonctions de martelage et de perçage requièrent que l'accessoire se déplace axialement sur plusieurs centimètres lorsqu'il est fixé au dispositif de fixation.
- Pour retirer l'accessoire, ôtez le manchon (8) et retirez l'accessoire du dispositif de fixation.

Mode d'emploi

Avertissement ! Utilisez l'outil avec une charge normale. Ne le surchargez pas.

Avertissement ! Avant de percer les murs, les sols ou les plafonds, vérifiez la position des câbles et tuyaux.

Sélection du mode de fonctionnement (fig. B)

L'outil peut fonctionner sous deux modes de fonctionnement. Sur la base des exigences des travaux effectivement réalisés, tournez le sélecteur de mode perçage (3) vers la position requise.

Perçage de trous / Tournevis (Fig. B, F, G, H)

- Pour le perçage de l'acier, du bois ou du plastique, ou afin de serrer ou desserrer les vis, réglez le sélecteur de mode de fonctionnement (3) dans la position (1). Au même moment, il est nécessaire d'utiliser un mandrin de perçage approprié (13) (accessoire en option) pour fixer la tige de fixation.
- Insérez le mandrin de perçage (13) à l'intérieur du mandrin d'outil (4) conformément aux instructions de montage des accessoires. Tournez le mandrin de perçage pour desserrer les fixations situées à l'extrémité avant du dispositif de serrage et insérez la barre de l'accessoire (14) à l'intérieur des fixations puis tournez le mandrin dans le sens opposé. Vous pouvez également utiliser la clé de mandrin de perçage pour serrer les fixations.
- Pour le perçage de l'acier, du bois ou du plastique, réglez le levier avant/arrière (7) vers la position avant/arrière (Fig. G). Lorsque vous utilisez la fonction de tournevis, serrez les vis, réglez le levier avant/arrière (7) vers la position avant/arrière (Fig. G) et desserrez les vis, ensuite réglez le levier avant/arrière (7) dans la position inverse (Fig. H).

Forage vertical au marteau-perforateur (Fig. B)

- Pour le forage vertical au marteau-perforateur en maçonnerie et dans la fabrication du béton, réglez le sélecteur de mode de fonctionnement (3) à la position T1.
- Le trépan doit être placé de façon appropriée sur la position du trou de forage. Tirez ensuite l'interrupteur pour un effet optimal. Assurez-vous que l'outil est bien placé afin d'éviter que le forage ne dévie de l'orifice.
- Lorsque le trou de forage est obstrué par des débris ou de la fine poussière, n'exercez aucune pression supplémentaire. Placez l'outil en régime libre avant de retirer une partie du trépan de l'orifice. Répétez cette action un certain nombre de fois pour débloquer l'obstruction avant de reprendre normalement le forage.

Avertissement ! Lorsque le trépan frappe le ciment ou l'armature en acier contenue dans le ciment, il peut dangereusement reculer. Tenez fermement l'outil et maintenez-le en position équilibrée et stable afin de l'empêcher d'effectuer ce dangereux recul.

Surcharge du dispositif de couplage

Si le trépan est coincé ou accroché, la force d'entraînement transmise à l'arbre de forage est retenue. Ceci pourrait générer un fort recul. Vous devez donc tenir fermement le trépan de vos deux mains afin de le maintenir stable.

Réglage de la profondeur de forage (Fig. E)

La butée de profondeur est une fonctionnalité qui permet de garantir une profondeur de forage uniforme. Desserrez la poignée latérale pour régler la jauge de profondeur à la profondeur désirée. Resserrez ensuite la poignée latérale.

- Relâchez la poignée latérale (5) en tournant la prise dans le sens antihoraire.
- Réglez la butée de profondeur (6) à la profondeur requise. La profondeur maximale de forage est égale à la distance entre le bout du trépan et l'extrémité avant de la butée de profondeur.
- Resserrez la poignée latérale en tournant la prise dans le sens horaire.

Mise en marche et à l'arrêt

Avertissement ! Avant de brancher l'appareil à la source d'alimentation, assurez-vous que l'interrupteur puisse librement basculer et retourner à sa position initiale dès que vous le relâchez.

- Pour mettre en marche l'outil, appuyez sur l'interrupteur à gâchette pour vitesses variables (1). La vitesse de l'outil dépend de la pression que vous appliquez sur l'interrupteur.
- En règle générale, associez les basses vitesses aux trépans à large diamètre et les vitesses élevées aux trépans à petit

diamètre.

- Pour une utilisation prolongée, appuyez sur le bouton de verrouillage (2) et relâchez l'interrupteur à gâchette pour vitesses variables.
- Pour arrêter l'outil, relâchez l'interrupteur à gâchette pour vitesses variables. Pour arrêter l'outil lorsqu'il est en mode utilisation prolongée, appuyez sur l'interrupteur à gâchette pour vitesses variables à nouveau et relâchez-le.

Accessoires

La performance de votre appareil dépend des accessoires que vous utilisez. Les accessoires BLACK+DECKER répondent à des normes de haute qualité et sont conçus pour améliorer la performance de votre appareil. Vous obtiendrez la meilleure performance de votre appareil si vous utilisez ces accessoires.

Entretien

Votre appareil/outil BLACK+DECKER à fil/sans fil a été conçu pour fonctionner sur une longue période de temps avec un minimum d'entretien. Pour garantir une utilisation satisfaisante, vous devez régulièrement entretenir et nettoyer votre outil.

Avertissement ! Avant d'effectuer toute maintenance sur les outils électriques à fils/sans fil :

- Arrêtez et débranchez-les.
- Vous pouvez également les arrêter et en retirer les batteries lorsque ceux-ci sont dotés de batteries distinctes.
- Vous pouvez encore complètement décharger la batterie si celle-ci est intégrée à l'appareil avant de l'arrêter.
- Débranchez le chargeur avant de le nettoyer. Votre chargeur n'a besoin que d'être régulièrement nettoyé.
- Nettoyez régulièrement les fentes d'aération de votre appareil/outil/chargeur à l'aide d'une brosse douce et un chiffon sec.

- Nettoyez régulièrement le boîtier du moteur à l'aide d'un chiffon humide. N'utilisez pas de nettoyeurs abrasifs ou à base de solvants.
- Ouvrez régulièrement le support et tapotez-le pour retirer la poussière de l'intérieur (lorsqu'il est fixé).

Remplacement du balai en carbone (Fig. D)



Lubrification

- Inspectez et remplacez régulièrement le balai en carbone. Lorsqu'il est complètement usé suite à une utilisation normale, vous devez le remplacer. Vous devez tenir le balai en carbone propre et vous assurer qu'il se déplace librement dans le porte-balai. Les deux balais en carbone doivent se remplacer en même temps.
- Retirez les vis de fixation (9) du balai en carbone (10) pour le retirer, ainsi que le porte-balai.
- Retirez le ressort hélicoïdal soutenant le balai en carbone (11) dans le porte-balai et insérez un autre balai en carbone conforme aux spécifications.
- Remplacez le porte-balai et le ressort hélicoïdal à leurs positions initiales.



Nettoyage



Avvertissement ! Soufflez la saleté et la poussière du boîtier principal à l'aide d'air sec une fois que ces dernières sont suffisamment accumulées à l'intérieur et autour des orifices de ventilation. Portez des protections oculaires et un masque anti-poussières appropriés.



Avvertissement ! N'utilisez jamais de solvants ni de produits chimiques corrosifs pour nettoyer les parties non métalliques de l'outil. Ces matériaux chimiques peuvent affaiblir les matériaux de ces parties. Utilisez uniquement du savon doux et un chiffon humide pour nettoyer l'appareil. Ne laissez

jamais couler un liquide à l'intérieur, ne plongez jamais quelque partie que ce soit de l'appareil dans l'eau.

Information concernant le centre de service

BLACK+DECKER offre un réseau complet de centre de service habilité à travers l'Asie. Tous les centres de service BLACK+DECKER disposent de personnel formé afin de fournir un service de confiance aux clients par rapport au produit.

Pour tout conseil technique, remplacement de pièces d'origine ou pour toute réparation, veuillez contacter le service BLACK+DECKER le plus proche.

REMARQUE

- BLACK+DECKER mène une politique d'amélioration continue de ses produits et se réserve, de ce fait, le droit d'en modifier les caractéristiques et les prix sans préavis.
- Les accessoires ou équipements peuvent varier selon le pays.
- Les spécifications du produit peuvent varier selon le pays.
- La gamme complète du produit peut ne pas être disponible dans tous les pays. Contactez votre revendeur BLACK+DECKER local concernant la disponibilité de la gamme

Caractéristiques techniques

BDHR202		
Alimentation électrique	W	620
Tension	V	220-240
Fréquence	Hz	50/60
Vitesse à vide	min.....	0-1250
Taux d'impact	BPM	0-3900
Énergie d'impact	J	1,34
Modes		2
Capacité de forage maximale		
Béton	mm	20
Acier	mm	13
Bois	mm	25
Poids	kg	2,6

Protection de l'environnement



Collecte séparée. Ce produit ne doit pas être jeté avec les déchets domestiques normaux.

Si vous décidez de remplacer ce produit BLACK+DECKER, ou si vous n'en avez plus l'utilité, ne le jetez pas avec vos déchets domestiques. Rendez-le disponible pour une collecte séparée.



La collecte séparée des produits et emballages usés permet le recyclage des articles afin de les utiliser à nouveau. Le fait d'utiliser à nouveau des produits recyclés permet d'éviter la pollution environnementale et de réduire la demande de matières premières.

Les réglementations locales peuvent permettre la collecte séparée des produits électriques du foyer, dans des déchetteries municipales ou auprès du revendeur vous ayant vendu votre nouveau produit.

BLACK+DECKER fournit un dispositif permettant de collecter et de recycler les produits BLACK+DECKER lorsqu'ils ont atteint la fin de leur cycle de vie. Pour pouvoir profiter de ce service, veuillez retourner votre produit à un réparateur agréé qui se chargera de le collecter pour nous.

Pour connaître l'adresse du réparateur agréé le plus proche de chez vous, contactez le bureau BLACK+DECKER à l'adresse indiquée dans ce manuel. Vous pourrez aussi trouver une liste des réparateurs agréés de BLACK+DECKER et de plus amples détails sur notre service après-vente sur le site Internet à l'adresse suivante : www.2helpU.com

Garantie

BLACK+DECKER vous assure la qualité de ses produits et vous offre une garantie très étendue. Ce certificat de garantie est un document supplémentaire et ne peut en aucun cas se substituer à vos droits légaux.

Si un produit BLACK+DECKER s'avère défectueux en raison de matériaux en mauvais état, d'une erreur humaine, ou d'un manque de conformité dans les 24 mois suivant la date d'achat, BLACK+DECKER garantit le remplacement des pièces défectueuses, la réparation des produits usés ou cassés ou remplace ces produits à la convenance du client, sauf dans les circonstances suivantes :

- Le produit a été utilisé dans un but commercial, professionnel, ou a été loué.
- Le produit a été mal utilisé ou avec négligence.
- Le produit a subi des dommages à cause de corps étrangers, de substances ou d'accidents.
- Des réparations ont été tentées par des techniciens ne faisant pas partie du service technique de BLACK+DECKER.

Pour avoir recours à la garantie, il est nécessaire de fournir une preuve d'achat au vendeur ou à un réparateur agréé. Pour connaître l'adresse du réparateur agréé le plus proche de chez vous, contactez le bureau BLACK+DECKER à l'adresse indiquée dans ce manuel. Vous pourrez aussi trouver une liste de réparateurs agréés de BLACK+DECKER et de plus amples détails sur notre service après-vente sur le site Internet à l'adresse suivante : www.2helpU.com

Uso previsto

O martelo rotativo BLACK+DECKER BDHR202 SDS plus foi concebido para perfurar orifícios em betão, tijolo, madeira e aço ou para ser utilizado como aparafusadora.

Instruções de segurança

Avisos de segurança gerais para ferramentas elétricas.



Atenção! Leia todos os avisos de segurança e todas as instruções. A

não-observância dos avisos e instruções listados abaixo podem resultar em choque elétrico, incêndio e/ou lesão grave.

Guarde todos os avisos e instruções para futura referência. O termo "ferramenta elétrica" em todos os avisos listados abaixo refere-se à sua ferramenta elétrica (com fio) por alimentação elétrica ou ferramenta elétrica (sem fio) por bateria.

1. Segurança da área de trabalho

- a. **Mantenha a área de trabalho limpa e bem iluminada.** Áreas desorganizadas e mal iluminadas são propensas a acidentes.
- b. **Não opere ferramentas elétricas em atmosferas explosivas, como, por exemplo, na presença de líquidos inflamáveis, gases ou pó.** As ferramentas elétricas produzem faíscas que podem acender o pó ou fumos.
- c. **Mantenha as crianças e pessoas que se encontrem nas proximidades afastadas durante a operação de uma ferramenta elétrica.** As distrações podem fazer com que perca o controlo.

2. Segurança elétrica

- a. **As fichas de alimentação da ferramenta elétrica devem corresponder à tomada. Nunca, de forma alguma, modifique a ficha. Não utilize quaisquer adaptadores de tomadas com aparelhos ligados à terra (aterrados).** Tomadas não modificadas e fichas certas irão reduzir o

risco de choques elétricos.

- b. **Evite o contacto corporal com superfícies ligadas à terra ou aterradas como tubos, radiadores e refrigeradores.** Há um grande risco de choque elétrico se o seu corpo estiver ligado à terra ou aterrado.
 - c. **Não exponha as ferramentas elétricas à chuva ou condições húmidas.** Se entrar água na ferramenta elétrica, aumentará o risco de choque elétrico.
 - d. **Não force o cabo. Nunca utilize o fio para carregar, puxar ou desligar a ferramenta elétrica. Mantenha o fio longe do calor, óleo, pontas afiadas ou peças em movimento.** Os fios entrelaçados ou com danos aumentam o risco de choque elétrico.
 - e. **Quando operar uma ferramenta elétrica no exterior, utilize um fio de extensão apto para usos no exterior.** Utilizar um fio apto para usos no exterior reduz o risco de choque elétrico.
 - f. **Se a utilização da ferramenta elétrica num local húmido for inevitável, utilize um dispositivo de corrente residual (DCR).** A utilização de dispositivo de corrente residual DCR reduz o risco de choque elétrico.
- ### 3. Segurança Pessoal
- a. **Mantenha-se alerta, concentre-se no que está a fazer e utilize o bom senso ao operar uma ferramenta elétrica. Não utilize uma ferramenta elétrica enquanto estiver cansado ou sob a influência de estupefacientes, álcool ou medicamentos.** Um momento de falta de atenção durante a operação das ferramentas elétricas pode resultar em lesão pessoal séria.
 - b. **Utilize equipamento pessoal de proteção. Utilize sempre proteção para os olhos.** O equipamento de proteção, como uma máscara de pó, sapatos de segurança antideslizantes, capacete ou proteção para os ouvidos, utilizados em condições apropriadas reduzirão as lesões pessoais.

c. Evite o arranque involuntário. Assegure-se de que o interruptor esteja na posição de desligado antes de ligar a uma fonte de energia e/ou pack de baterias, recolher ou carregar a ferramenta. Carregar as ferramentas elétricas com os dedos no interruptor ou ferramentas elétricas ligadas à corrente com o interruptor ligado, provoca acidentes.

d. Remova quaisquer chaves de ajuste antes de ligar a ferramenta elétrica. Uma chave deixada fixa numa peça giratória da ferramenta elétrica pode resultar em lesão pessoal.

e. Não tente exceder. Mantenha todo o tempo o equilíbrio e a posição correta. Desse modo, terá melhor controlo da ferramenta elétrica em situações inesperadas.

f. Vista-se de forma adequada. Não utilize vestimentas soltas ou joias. Mantenha o cabelo, vestuário e luvas afastados de peças móveis. Roupas soltas, joias ou cabelos longos podem ficar presos nas peças em movimento.

g. Se forem fornecidos dispositivos para a ligação de instalações para a recolha e a extração de pó, assegure-se de que estejam ligados e utilizados de modo correto. A utilização de recolha de pó pode reduzir os riscos relacionados com o pó.

4. Utilização e cuidado de ferramenta elétrica

a. Não force a ferramenta elétrica. Utilize a ferramenta elétrica correta para a sua aplicação. A ferramenta elétrica correta fará um trabalho melhor e mais seguro na velocidade, na qual foi desenhada.

b. Não utilize a ferramenta elétrica se o interruptor não liga nem desliga. Qualquer ferramenta elétrica que não é possível controlar com o interruptor é perigosa e deve ser reparada.

c. Desligue a ficha da fonte de alimentação e/ou o pack de bateria da ferramenta elétrica antes de realizar quaisquer ajustes, trocar acessórios ou armazenar as ferramentas elétricas.

Essas medidas preventivas de segurança reduzem o risco de arrançar a ferramenta elétrica acidentalmente.

d. Guarde as ferramentas elétricas fora do alcance das crianças e não permita que pessoas não familiarizadas com as ferramentas elétricas ou com o manual de instruções utilizem a mesma. As ferramentas elétricas são perigosas nas mãos de utilizadores inexperientes.

e. Realize a manutenção das ferramentas elétricas. Verifique o desalinhamento ou bloqueio de peças móveis, quebra de peças e quaisquer outras condições que possam afetar a operação da ferramenta elétrica. Se danificada, a ferramenta elétrica deverá ser reparada antes de ser utilizada. Vários acidentes são provocados por ferramentas elétricas mal conservadas.

f. Mantenha as ferramentas de corte afiadas e limpas. As ferramentas de corte mantidas corretamente com o fio afiado têm menos possibilidade de bloquear e são mais fáceis de controlar.

g. Utilize a ferramenta elétrica, acessórios e pontas de ferramentas, etc. de acordo com estas instruções tendo em conta as condições de trabalho e o trabalho a ser realizado. Utilizar a ferramenta elétrica para operações diferentes das previstas resultaria numa situação perigosa.

5. Serviço

a. Entregue a sua ferramenta elétrica para ser reparada por uma pessoa qualificada utilizando apenas peças de substituição idênticas. Isto irá assegurar que a segurança da ferramenta elétrica será mantida.

Nota: Tensão principal: Ao ligar à alimentação principal, é indispensável verificar se a tensão principal coincide com a da ferramenta elétrica. Se a tensão for maior que a indicada na ferramenta elétrica, o utilizador poderia sofrer lesões severas num acidente e a ferramenta ficaria danificada. Ao contrário, se a tensão principal for menor que a requerida pela ferramenta, o motor seria danificado. Por conseguinte, se não for possível verificar a tensão, é importante não ligar na fonte de alimentação.

Avisos de segurança para o martelo

- **Utilize proteção auditiva.** A exposição ao ruído pode causar a perda da audição.
- **Utilize pega(s) auxiliar(es), se fornecidas com a ferramenta.** A perda de controlo pode provocar ferimentos pessoais.
- **Quando realizar operações onde o acessório de corte pode entrar em contacto com cablagem escondida ou com o seu próprio fio, segure na ferramenta elétrica pelas superfícies aderentes isoladas.** O acessório de corte em contacto com um fio "sob tensão" pode expor as peças de metal da ferramenta "à tensão" e provocar um choque elétrico no operador.
- Nunca utilize um acessório de cinzel no modo rotativo. O acessório ficará preso no material e irá rodar o berbequim.
- Utilize pinças ou outro modo prático para segurar e apoiar a peça de trabalho a uma plataforma estável. Ao segurar a peça com as mãos ou contra o seu corpo deixa-a instável e pode levar à perda do controlo.
- Verifique a localização da cablagem e da canalização, antes de perfurar em paredes, pavimentos ou tetos.
- Evite tocar a ponta da broca após a perfuração para prevenir queimaduras.
- O uso previsto está descrito neste manual de instruções. A utilização de qualquer acessório ou a realização de qualquer operação com esta ferramenta que não seja a recomendada neste manual de instruções pode representar um risco de lesão pessoal e danos materiais.

Segurança de terceiros

- Este aparelho não pode ser utilizado por pessoas (incluindo crianças) com capacidades físicas, sensoriais ou psíquicas diminuídas ou com falta de experiência e conhecimentos, a não ser

que se encontrem sob vigilância ou a utilização segura do aparelho lhes tenha sido ensinada por uma pessoa responsável da sua segurança.

- As crianças devem ser vigiadas para garantir que não brincam com o aparelho.

Outros riscos

Os riscos residuais podem aumentar durante a utilização da ferramenta que poderiam não estar considerados nos avisos de segurança pertinentes. Estes riscos podem aumentar com a utilização indevida, prolongada, etc. Mesmo com a aplicação das normas de segurança pertinentes e da implementação de dispositivos de segurança, certos riscos não podem ser evitados.

Estes são:

- Lesões causadas por tocar peças em rotação/movimento.
- Lesões causadas ao trocar qualquer peça, lâmina ou acessório.
- Lesões causadas pela utilização prolongada da ferramenta. Durante a utilização por períodos prolongados, assegure-se de fazer pausas regulares.
- Perda de audição.
- Riscos de saúde causados pela inalação de pó formado durante a utilização da ferramenta (por exemplo: trabalhos com madeira, especialmente carvalho, faia e MDF).

Etiquetas nas ferramentas

Os seguintes símbolos são mostrados na ferramenta:



Aviso! Para reduzir o risco de lesão, o utilizador tem de ler o manual de instruções.

Posição do código de barra de data (Fig. C)

O Código de Data (12), que também inclui o ano de fabrico, está impresso na caixa.

Exemplo:

2015 XX JN
Ano de fabrico

Segurança elétrica



Esta ferramenta tem isolamento duplo, portanto, não é necessário um fio de terra. Certifique-se de que a alimentação de corrente corresponde à tensão que figura na chapa de características. Corresponde.

- Se o cabo de alimentação estiver danificado, deverá ser substituído pelo fabricante ou por um Centro de Serviços da Black e Decker autorizado, para evitar possíveis riscos.

Utilização de um cabo de extensão

Se for preciso utilizar um cabo de extensão, utilize um que cumpra as especificações de entrada de potência da ferramenta (consulte os dados técnicos). A área de secção transversal mínima do fio condutor mede 1,5 mm quadrado. Os cabos devem estar desembaraçados antes de serem enrolados.

Consulte a seguinte tabela.

Área de secção transversal do fio (mm ²)	Corrente nominal do cabo (Amperes)
0,75	6
1,00	10
1,50	15
2,50	20
4,00	25
Comprimento do cabo (m)	
	7,5 15 25 30 45 60

Tensão	Amperes	Classificação do cabo (Amperes)
115	0 - 2,0	6 6 6 6 6 10
	2,1 - 3,4	6 6 6 6 15 15
	3,5 - 5,0	6 6 10 15 20 20
	5,1 - 7,0	10 10 15 20 20 25
	7,1 - 12,0	15 15 20 25 25 -
	12,1 - 20,0	20 20 25 - - -

230	0 - 2,0	6 6 6 6 6 6
	2,1 - 3,4	6 6 6 6 6 6
	3,5 - 5,0	6 6 6 6 10 15
	5,1 - 7,0	10 10 10 10 15 15
	7,1 - 12,0	15 15 15 15 20 20
	12,1 - 20,0	20 20 20 20 25 -

Funcionalidades (Fig. E)

Esta ferramenta inclui algumas ou todas as seguintes funcionalidades.

1. Interruptor de velocidade variável
2. Botão de bloqueio
3. Seletor de modo
4. Grampo da ferramenta
5. Punho lateral
6. Batente de profundidade
7. Alavanca para a frente/para trás

Montagem

Aviso! Antes da montagem, certifique-se de que a ferramenta está desligada e desconectada da alimentação elétrica

Colocação do punho lateral (fig. E)

Aviso! Para sua segurança, durante a perfuração de orifícios em betão ou tijolos utilize o punho lateral.

- Rode a pega no sentido contrário ao dos ponteiros do relógio até que consiga deslizar o punho lateral para a frente da ferramenta.
- Rode o punho lateral para a posição pretendida.
- Aperte o punho lateral rodando a pega no sentido dos ponteiros do relógio. **Aviso!** Durante a utilização da ferramenta, lembre-se de colocar corretamente os punhos laterais.

Colocação de um acessório (fig.A)

- Limpe e lubrifique a haste (15) do acessório.
- Coloque a barra do acessório no grampo da ferramenta (4).
- Empurre o acessório para baixo e rode-o ligeiramente até que encaixe nas ranhuras.
- Puxe o acessório para verificar se está bem fixo. A função percutora e de perfuração necessita que o acessório, quando bloqueado no grampo da ferramenta, se mova vários centímetros axialmente.
- Para remover o acessório, puxe a manga para trás (8) e retire o acessório do grampo da ferramenta.

Utilização

Aviso! Utilize esta ferramenta sob carga normal. Não sobrecarregue.

Aviso! Verifique a localização da cablagem e da canalização, antes de perfurar em paredes, pavimentos ou tetos.

Selecionar o Modo de Funcionamento (fig. B)

Esta ferramenta pode ser utilizada em dois modos de funcionamento. Com base nos requisitos reais do trabalho, o seletor de modo de perfuração (3) pode ser rodado para a posição pretendida.

Perfuração de orifícios / Aparafusadora (Fig. B, F, G, H)

- Para perfurar em aço, madeira e plásticos, ou para apertar e soltar parafusos, coloque o seletor de modo de funcionamento (3) no modo de posição (1). Ao mesmo tempo, é necessário utilizar um mandril da broca adequado (13) (acessório opcional) para fixar a haste de fixação.
- Coloque o mandril da broca (13) no mandril da ferramenta (4) de acordo com as instruções para a instalação de acessórios. Rode o mandril da broca para desapertar os grampos na extremidade

dianteira do grampo da broca e coloque a barra do acessório (14) nos grampos e rode o mandril na direção contrária. Pode utilizar uma chave do mandril para apertar o grampo.

- Para perfurar em aço, madeira e plásticos, ajuste a alavanca para a frente/para trás (7) para a posição para a frente/para trás (Fig G). Quando for utilizado com a função de aparafusadora, para apertar parafusos ajuste a alavanca para a frente/para trás (7) para a posição para a frente (Fig G) e para soltar parafusos ajuste a alavanca para a frente/para trás (7) para a posição para trás (Fig H).

Perfuração percutora (Fig. B)

- Para perfuração percutora em alvenaria e betão, coloque o seletor de modo de funcionamento (3) na posição **T1**.
- A broca tem de ser colocada com precisão na posição do furo da broca. Após isso, puxe o interruptor para um efeito excelente. Certifique-se de que a ferramenta está na posição correta para evitar que a broca se desvia do orifício.
- Quando o orifício estiver entupido com detritos ou pó fino, não exerça mais pressão. Antes de retirar uma parte da broca do orifício, a ferramenta deve ser colocada no estado de funcionamento livre. Se repetido algumas vezes, o bloqueio no orifício deverá ficar desentupido e pode prosseguir a perfuração normal.

Aviso! Quando a broca bater no cimento ou em armações de aço no cimento, a ferramenta pode recuar perigosamente. Segure sempre firmemente na ferramenta numa posição equilibrada e estável de modo a que ela recue perigosamente.

Dispositivo de engate de sobrecarga

Se a ponta da broca ficar presa ou engatada, a força motriz transmitida ao eixo da broca será cortada. Isto provocaria um forte recuo, então é necessário segurar firmemente na ferramenta com as duas mãos para permanecer numa posição estável.

Definir a profundidade de perfuração (Fig. E)

O batente de perfuração é uma funcionalidade conveniente para assegurar uma uniformidade na profundidade de perfuração. Desaperte o punho lateral para ajustar o calibrador de profundidade de acordo com a profundidade pretendida. Depois disso, aperte o punho lateral.

- Desaperte o punho lateral (5) rodando a pega no sentido contrário dos ponteiros do relógio.
- Coloque o batente de profundidade (6) na posição pretendida. A profundidade máxima de perfuração é igual à distância entre a ponta da broca e a extremidade dianteira do batente de profundidade.
- Aperte o punho lateral rodando a pega no sentido dos ponteiros do relógio.

Ligar e desligar

Aviso! Antes de ligar a fonte de alimentação, certifique-se de que o interruptor pode ser movido livremente, e volta para a posição original assim que for libertado.

- Para ligar a ferramenta, pressione o interruptor de velocidade variável (1). A velocidade da ferramenta depende do quanto pressiona o interruptor.
- Como regra geral, utilize velocidades baixas para brocas de grande diâmetro e velocidades altas para brocas de pequeno diâmetro.
- Para um funcionamento contínuo, pressione o botão de bloqueio (2) e solte o interruptor de velocidade variável.
- Para desligar a ferramenta, solte o interruptor de velocidade variável. Para desligar a ferramenta durante o funcionamento contínuo, pressione uma vez mais o interruptor de velocidade variável e solte-o.

Acessórios

O desempenho da sua ferramenta depende dos acessórios utilizados. Os acessórios da BLACK+DECKER são concebidos seguindo os mais altos padrões de qualidade e projetados para melhorar o desempenho da sua ferramenta. Ao utilizar estes acessórios

irá tirar melhor partido da sua ferramenta.

Manutenção

A sua máquina/ferramenta com fios/sem fios BLACK+DECKER foi concebida para funcionar durante um longo período de tempo com a manutenção mínima. Para garantir um funcionamento satisfatório, a ferramenta deve ser mantida e limpa regularmente

Aviso! Antes de realizar qualquer trabalhos de manutenção nas ferramentas elétricas com fios/sem fios:

- Desligue e desconecte a máquina/ferramenta.
- Ou desligue e retire a bateria da máquina/ferramenta se a máquina/ferramenta possuir um conjunto de bateria em separado.
- Ou descarregue completamente a bateria se estiver integrada e, em seguida, desligue.
- Antes da limpeza, desligue o carregador. O seu carregador não necessita de manutenção além da limpeza regular.
- Limpe regularmente as ranhuras de ventilação do carregador da sua máquina/ferramenta utilizando uma escova suave ou um pano seco.
- Limpe regularmente o compartimento do motor utilizando um pano húmido. Não utilize nenhum agente de limpeza abrasivo ou à base de solvente.
- Abra regularmente o mandril e bata para remover quaisquer poeiras do seu interior (quando equipado).

Substituição da escova de carbono (Fig. D)



Lubrificação

- Verifique e inspecione regularmente as escovas de carbono. Assim que estiverem completamente gastas devido ao desgaste contínuo e uso, as escovas devem ser substituídas. Deve manter as escovas de carbono limpas e a deslizar livremente no suporte das escovas. As escovas de carbono têm ambas de ser substituídas ao mesmo tempo.

- Retire os parafusos fixos (9) das escovas de carbono e retire as escovas de carbono (10) e o suporte das escovas.
- Retire a mola helicoidal que suporta a escova de carbono (11) no suporte das escovas e coloque uma escova de carbono nova que esteja em conformidade com as especificações.
- Ajuste novamente o suporte de escovas e volte a colocar a mola helicoidal na sua posição original.
- e, como tal, reservamo-nos o direito de alterar as especificações dos produtos sem aviso prévio.
- Equipamentos e acessórios padronizados podem variar segundo o país.
- As especificações dos produtos podem ser diferentes segundo o país.
- A gama completa dos produtos poderia não estar disponível em todos os países. Entre em contacto com o seu distribuidor local BLACK+DECKER para informar-se sobre a gama disponível



Limpeza



Aviso! Remova sujidades e pó do corpo principal com ar seco sempre que houver sujidade acumulada dentro e em volta das saídas de ar. Utilize proteção para olhos e máscara de pó aprovadas ao realizar este procedimento.



Aviso! Nunca utilize solventes ou outros produtos químicos para limpar as peças não metálicas da ferramenta. Esses químicos podem enfraquecer o material utilizado nessas peças. Utilize apenas sabão neutro e pano húmido para limpar a ferramenta. Nunca deixe entrar líquido dentro da ferramenta, nunca mergulhe qualquer parte da ferramenta num líquido.

Informação sobre o serviço

A BLACK+DECKER oferece uma rede completa de representantes e localizações de assistência próprias e autorizadas por toda a Ásia. Todos os Centros de Assistência da BLACK+DECKER contam com pessoal treinado para fornecer aos clientes um serviço de assistência a produtos de confiança e eficiente.

Se necessitar conselho técnico, reparação ou peças sobresselentes autênticas da fábrica, contacte a localização da BLACK+DECKER mais próxima de si.

NOTA

- A política da BLACK+DECKER é a melhoria contínua dos nossos produtos

Dados técnicos

BDHR202		
Potência de entrada	W	620
Tensão	V	220-240
Frequência	Hz	50/60
Nenhuma velocidade de carga	/min	0-1250
Taxa de impacto	BPM	0-3900
Energia de impacto	J	1,34
Modos		2
Capacidade máx. de perfuração		
Betão	mm	20
Aço	mm	13
Madeira	mm	25
Peso	kg	2,6

Proteger o ambiente



Recolha separada. Este produto não deve ser eliminado juntamente com os resíduos domésticos normais.

Se algum dia necessitar de substituir o seu produto BLACK+DECKER ou se já não o voltar a utilizar, não o elimine juntamente com os outros resíduos domésticos. Disponibilize este produto para recolha separada.



A recolha separada de produtos usados e embalagens permite que os materiais sejam reciclados e utilizados novamente. A reutilização de materiais reciclados ajuda a prevenir a poluição ambiental e reduz a procura de matérias-primas.

As normas locais podem fornecer a recolha separada de produtos elétricos a nível doméstico, locais de resíduos urbanos ou pelo revendedor onde adquiriu um produto novo.

A BLACK+DECKER providencia uma unidade para a recolha e reciclagem de produtos BLACK+DECKER uma vez que tenham alcançado o fim da sua vida útil. Para beneficiar deste serviço, devolva o seu produto a qualquer agente reparador autorizado, que fará a recolha em nosso favor.

Pode verificar a localização do seu agente reparador mais próximo, contactando o seu escritório local BLACK+DECKER através do endereço indicado neste manual. Como alternativa, está disponível na Internet uma lista de agentes reparadores autorizados da BLACK+DECKER e dados completos do serviço de pós-venda e contactos em: www.2helpU.com.

Garantia

A Black + Decker está confiante da qualidade de seus produtos e oferece uma garantia excelente. Esta declaração de garantia está em adição e em nada prejudica os seus direitos estatutários. A garantia é válida nos territórios dos Estados-Membros da União Europeia e da Zona Europeia de Comércio Livre.

Se um produto Black + Decker apresenta algum defeito devido a falhas de material, mão de obra ou falta de conformidade, no prazo de 24 meses a partir da data da compra, a BLACK+DECKER garante a substituição das peças defeituosas, produtos de reparação sujeitos a uso e desgaste regular ou substituição de tais produtos para se certificar do mínimo de inconveniência ao cliente a menos que:

- O produto tenha sido utilizado para fins comerciais, profissionais ou contratação.
- O produto tenha sido submetido a utilização inadequada ou negligência.
- O produto tenha sofrido danos causados por objetos estranhos, substâncias ou acidentes.
- As reparações foram efetuadas por terceiros e não por agentes autorizados ou pelo pessoal de serviço Black + Decker.

Para ativar a garantia, terá que apresentar o comprovativo de compra ao vendedor ou a um agente técnico autorizado. Pode verificar a localização do seu agente reparador autorizado mais próximo, contactando o seu escritório local BLACK+DECKER através do endereço indicado neste manual. Como alternativa, está disponível na Internet uma lista de agentes reparadores autorizados BLACK+DECKER, dados completos do serviço de pós-venda e contactos em: www.2helpU.com

Назначение

Ваша ударная дрель BDHR202 SDS plus производства BLACK+DECKER предназначена для сверления отверстий в бетоне, кирпиче, дереве и металле, а также для использования в качестве отвертки.

Указания по технике безопасности

Общие указания по безопасной работе с электрическим инструментом.



Внимание! Внимательно прочитайте все предупреждающие надписи и указания по безопасной работе. Несоблюдение

предупреждающих надписей и указаний по безопасной работе может привести к поражению электрическим током, пожару и/или серьезным травмам персонала.

Храните все предупреждающие надписи и указания по безопасной работе для использования в будущем. Термин «электрический инструмент», используемый во всех предупреждающих надписях и указаниях по технике безопасности, представленных ниже, относится к электрическому инструменту, работающему от сети (со шнуром электропитания) или от аккумуляторной батареи (без шнура питания).

1. Указания по безопасности на рабочем месте

- a. Рабочее место должно содержаться в чистоте и должно быть оборудовано надлежащим освещением. Беспорядок или плохое освещение на рабочем месте может привести к несчастному случаю.
- b. Запрещается использование электрического инструмента во взрывоопасной среде, например, в условиях наличия легковоспламеняющихся жидкостей, газов или пыли. Искры, возникающие при работе электрического инструмента, могут воспалить пыль, пары и газы.
- c. Запрещается нахождение детей и посторонних лиц вблизи работающего электрического инструмента. Отвлекающие факторы могут привести к потере контроля за работой инструмента.

2. Электрическая безопасность

- a. Вилка шнура электрического инструмента должна соответствовать сетевой розетке. Запрещается вносить какие-либо изменения в вилку электрического шнура. Запрещается использование каких-либо штепсельных переходников при работе заземленного электрического инструмента. Отсутствие изменений в вилках электрических шнуров и

соответствие электрических вилок и розеток снижает риск поражения электрическим током.

- b. Не допускайте контакта тела с заземленными поверхностями таких объектов, как трубы, радиаторы, электроплиты и холодильники. Если ваше тело заземлено, риск его поражения электрическим током повышается.
 - c. Электрические инструменты не должны подвергаться воздействию дождя и находится в условиях повышенной влажности. При попадании влаги внутрь электрического инструмента повышается риск поражения электрическим током.
 - d. Запрещается использовать электрический шнур не по назначению. Никогда не берите, не тяните и не вынимайте электрический инструмент за шнур. Электрический шнур не должен находиться вблизи источников тепла, масла, острых краев и движущихся деталей. Поврежденные и закрученные электрические шнуры повышают риск поражения электрическим током.
 - e. При работе электрического инструмента на открытом воздухе используйте соответствующий удлинитель. Использование удлинителя, предназначенного для работы на открытом воздухе, снижает риск поражения электрическим током.
 - f. Если работы с помощью электрического инструмента внутри влажного помещения должны быть выполнены обязательно, в таком случае необходимо использовать устройство защитного отключения (УЗО) электрической сети. Использование УЗО снижает риск поражения электрическим током.
- ### 3. Безопасность персонала
- a. При работе с электрическим инструментом необходимо быть осмотрительным, видеть выполняемую работу и руководствоваться здравым смыслом. Запрещается работать с электрическим инструментом в состоянии усталости и под воздействием наркотиков, алкоголя и лекарственных препаратов. Ослабление внимания даже на мгновение может привести к серьезной травме.
 - b. Используйте средства индивидуальной защиты. Всегда надевайте средства защиты глаз. Используемые в соответствующих условиях средства индивидуальной защиты, такие как пылезащитная маска, нескользящая защитная обувь, защитная каска или средства защиты органов слуха, всегда снижают риск травмирования.

- c. **Не допускайте непреднамеренного включения инструмента.** Перед тем, как подключить источник питания или аккумулятор, поднимая или неся инструмент, проверьте, чтобы его выключатель находился в выключенном положении. Переноска инструмента пальцем, расположенном на его выключателе, или включенного инструмента повышает риск несчастного случая.
- d. **Перед включением инструмента всегда снимайте с него регулировочный и гаечный ключ.** Оставленный на вращающейся детали инструмента ключ может привести к травмированию.
- e. **Не прикладывайте к инструменту чрезмерное усилие во время работы. Всегда прочно держитесь на ногах и сохраняйте равновесие во время работы.** Это позволяет лучше контролировать электрический инструмент в непредвиденных ситуациях.
- f. **Надевайте соответствующую одежду.** Запрещается надевать свободную одежду и украшения. Волосы, одежда и перчатки должны находиться на расстоянии от движущихся деталей инструмента. Свободная одежда, украшения или длинные волосы могут быть захвачены движущимися деталями.
- g. **Если установлены устройства подключения средств пылеулавливания и пылесборников, необходимо проверять, чтобы они были подключены и использовались надлежащим образом.** Использование средств пылеулавливания снижает уровень риска, связанного с наличием пыли в воздухе.
4. **Использование и уход за электрическим инструментом**
- a. **Не прикладывайте чрезмерное усилие к электрическому инструменту. Используйте электрический инструмент, соответствующий выполняемой задаче.** При использовании надлежащего инструмента вы выполните работу лучше, с меньшим риском и со скоростью, на которую рассчитан ваш инструмент.
- b. **Запрещается использовать инструмент, если его выключатель не включается и не выключается.** Любой электрический инструмент, работой которого нельзя управлять с помощью его выключателя, представляет собой опасность и подлежит обязательному ремонту.
- c. **Перед выполнением регулировки электрического инструмента, заменой его принадлежностей и постановкой на хранение необходимо вынуть вилку его электрического шнура из розетки и/или достать из него аккумулятор.** Такая превентивная мера безопасности снижает риск случайного включения инструмента.
- d. **Храните электрический инструмент, который в данный момент не используется, в недоступном для детей месте и разрешайте работать с инструментом лицам, которые не знакомы с ним или с этими указаниями.** Электрический инструмент является опасным в руках необученного человека.
- e. **Поддерживайте инструмент в рабочем состоянии. Проверяйте центровку и соединение движущихся деталей, наличие поврежденных деталей и любые факторы, которые могут отрицательно сказаться на работе электрического инструмента. В случае обнаружения повреждения электрический инструмент необходимо отремонтировать.** Много несчастных случаев происходит вследствие того, что инструмент находится в ненадлежащем состоянии.
- f. **Режущие инструменты должны быть остро заточенными и чистыми.** Поддерживаемый в надлежащем рабочем состоянии режущий инструмент с острыми режущими кромками меньше застревает и легче управляется.
- g. **Используйте электрический инструмент, принадлежности, вставные резцы и т.д. в соответствии с данными указаниями, учитывая условия эксплуатации и работу, которая должна быть выполнена.** Использование электрического инструмента с целью, отличной от предусмотренного назначения, может привести к опасной ситуации.
5. **Обслуживание**
- a. **Обслуживать электрический инструмент должен только квалифицированный ремонтный персонал, при этом должны использоваться только оригинальные запасные детали.** Благодаря этому будет поддерживаться безопасное рабочее состояние электрического инструмента.
- Примечание:** Напряжение электрической сети: Перед подключением инструмента к электрической сети надо обязательно проверять, чтобы напряжение сети соответствовало значению, указанному в табличке с паспортными данными инструмента. Если напряжение сети превышает значение напряжения, указанное для инструмента, оператор может получить тяжелые травмы вследствие поражения электрическим током, а сам инструмент может выйти из строя. И наоборот, если напряжение сети меньше напряжения, необходимого для работы инструмента, двигатель инструмента может выйти из строя. Таким образом, если проверить напряжение сети нельзя, включать инструмент в такую сеть запрещается.

Указания по безопасной работе ударной дрели

- **Применяйте средства защиты органов слуха.** Воздействие шума может привести к нарушению слуха.
- **Используйте вспомогательные рукоятки, если они поставляются вместе с инструментом.** Потеря управления инструментом может привести к травмированию.
- **Во время выполнения работ, когда режущая деталь электрического инструмента может соприкоснуться со скрытой электропроводкой или со своим шнуром, инструмент необходимо держать за диэлектрическую поверхность.** При контакте режущей детали с проводом, находящимся под напряжением, под напряжение могут попасть металлические детали электрического инструмента, вследствие чего возникает опасность поражения оператора электрическим током.
- Никогда не используйте ударное приспособление в режиме вращения. Приспособление будет застревать в материале и вращать дрель.
- Для фиксации положения обрабатываемой детали на устойчивом основании используйте зажимы или другой удобный и практический способ. Если держать деталь руками или прижимать ее к телу, она будет находиться в незакрепленном положении, что может привести к потере контроля за работой инструмента.
- Перед выполнением сверления стен, полов и потолков проверяйте расположение электропроводки и труб.
- Не касайтесь кончика сверла после сверления: он достаточно горячий и вы можете обжечься.
- Назначение инструмента описано в этой инструкции по эксплуатации. Использование любых принадлежностей и дополнительных приспособлений вместе с этим инструментом или использование инструмента в целях, которые не рекомендованы в этой инструкции, может привести к возникновению риска травмирования персонала и повреждения имущества.

Безопасность других лиц

- Этот инструмент не предназначен для использования лицами (включая детей) с ограниченными физическими, сенсорными или умственными способностями или лицами, у которых отсутствует необходимый опыт и знания, кроме

случаев, когда они находятся под наблюдением и получили надлежащие инструкции по работе с инструментом от лица, ответственного за их безопасность.

- Чтобы дети не играли с инструментом, они должны находиться под присмотром.

Другие виды риска

Дополнительный остаточный риск может возникнуть в случаях использования инструмента, которые могут быть не учтены в перечисленных указаниях по безопасной работе. Такой риск может возникнуть при неправильном использовании, продолжительном использовании и т.д. Несмотря на соблюдение всех соответствующих правил техники безопасности и использование защитных устройств некоторый остаточный риск все же остается.

Это следующие виды опасности:

- Травмы, полученные при касании вращающихся или движущихся деталей.
- Травмы, полученные при замене деталей, ножей или принадлежностей.
- Травмы, полученные вследствие продолжительного использования инструмента. При продолжительном использовании инструмента необходимо делать регулярные перерывы в работе.
- Ухудшение слуха.
- Вред для здоровья, вызванный вдыханием пыли, которая появляется во время работы инструмента (например, при работе с деревом, особенно с дубом, буком или ДВП).

Наклейки на инструменте

К поверхности инструмента прикреплены следующие графические изображения:



Внимание! Для снижения риска травмирования оператор должен прочитать эту инструкцию по эксплуатации.

Расположение штрих-кода с датой (Рис. С)

Штрих-код с датой (12), который также включает год изготовления, напечатан на корпусе.

Пример:

2015 XX JN
Год изготовления

Электрическая безопасность



Этот инструмент имеет двойную изоляцию, и поэтому провод заземления ему не нужен. Проверьте, чтобы сетевое напряжение соответствовало значению, указанному в табличке с паспортными данными. Соответствует.

- В случае повреждения шнура питания, чтобы избежать возникновения опасных ситуаций, его замену должен выполнить производитель оборудования или уполномоченный сервисный центр Black and Decker.

Использование удлинителя

Если необходимо использовать удлинитель, проверьте чтобы его характеристики соответствовали потребляемой мощности инструмента (смотрите технические данные). Минимальное сечение провода должно составлять 1,5 кв. мм. Перед тем, как смотать на катушку, кабели необходимо распутать.

Пожалуйста, смотрите таблицу ниже.

Сечение кабеля (мм ²)	Номинальный ток кабеля (А)
0,75	6
1,00	10
1,50	15
2,50	20
4,00	25
Длина кабеля (м)	
	7,5 15 25 30 45 60

Напряжение	Амперы	Номинальный ток кабеля (А)
115	0 - 2,0	6 6 6 6 10
	2,1 - 3,4	6 6 6 6 15 15
	3,5 - 5,0	6 6 10 15 20 20
	5,1 - 7,0	10 10 15 20 20 25
	7,1 - 12,0	15 15 20 25 25 -
12,1 - 20,0	20 20 25 - - -	

230	0 - 2,0	6 6 6 6 6 6
	2,1 - 3,4	6 6 6 6 6 6
	3,5 - 5,0	6 6 6 6 10 15
	5,1 - 7,0	10 10 10 10 15 15
	7,1 - 12,0	15 15 15 15 20 20
	12,1 - 20,0	20 20 20 20 25 -

Функции (Рис. Е)

Этот инструмент может обладать всеми или некоторыми из перечисленных ниже функций.

1. Переключатель количества оборотов
2. Кнопка фиксации
3. Переключатель режимов
4. Держатель инструмента
5. Боковая рукоятка
6. Ограничитель глубины
7. Рычаг переключения прямого/обратного направления вращения

Сборка

Внимание! Перед выполнением сборки проверьте, чтобы инструмент был выключен, а вилка шнура была вынута из сетевой розетки.

Прикрепление боковой рукоятки (Рис. Е)

Внимание! При сверлении отверстий в бетоне и кирпиче, пожалуйста, используйте боковую рукоятку для безопасной работы.

- Поворачивайте зажим против часовой стрелки до тех пор, пока вы не сможете перемещать боковую рукоятку на передней части инструмента.
- Поверните боковую рукоятку в требуемое положение.
- Затяните боковую рукоятку, поворачивая зажим по часовой стрелке. **Внимание!** При использовании инструмента помните о правильной установке боковых рукояток.

Установка принадлежности (Рис. А)

- Очистите и смажьте хвостовик (15) приспособления. • Вставьте стержень принадлежности в держатель инструмента (4).

- Протолкните приспособление вниз и слегка проверните до его установки в пазы.
- Потяните приспособление для проверки надежности его фиксации. Для ударной и сверильной функции необходимо, чтобы принадлежность была способна перемещаться в продольном направлении на несколько сантиметров при фиксации в держателе инструмента.
- Для удаления принадлежности оттяните назад муфту (8) и вытащите приспособление из держателя инструмента.

Работа инструмента

Внимание! Пожалуйста, во время работы инструмента прикладывайте обычное усилие. Не перегружайте его.

Внимание! Перед выполнением сверления стен, полов и потолков проверяйте расположение электропроводки и труб.

Выбор режима работы (рис. В)

Инструмент может использоваться в двух режимах работы. Исходя из фактических требований к выполняемой работе, переключатель режиме сверления (3) можно поворачивать в требуемое положение.

Сверление отверстий / отвертка (Рис. В, F, G, H)

- Для сверления стали, дерева и пластмасс, а также для закручивания и выкручивания шурупов установите переключатель рабочего режима (3) в положение (А). В то же время, чтобы зажать стержень принадлежности, необходимо использовать соответствующий зажимной патрон дрели (13) (дополнительная принадлежность).
- Вставьте зажимной патрон дрели (13) в держатель инструмента (4) в соответствии с указаниями по установке принадлежностей. Поверните зажимной патрон, чтобы ослабить зажимы в передней части держателя инструмента, вставьте стержень принадлежности (14) в зажимы и поверните зажимной патрон в обратном направлении. Чтобы затянуть держатель, можно также использовать ключ зажимного патрона.
- Для сверления стали, дерева и пластмассы установите рычаг переключения прямого/обратного направления вращения (7) в положение прямое/обратное (Рис. G). При использовании функции отвертки для закручивания шурупов установите рычаг переключения прямого/обратного направления вращения (7) в прямое положение (Рис. G), а для выкручивания - в обратное (Рис. H).

Ударное сверление (Рис. В)

- Для ударного сверления кирпичной кладки и бетона установите переключатель режима работы (3) в положение Т1.
- Сверло необходимо установить точно по центру отверстия для сверления. После этого нажмите выключатель для получения оптимального действия дрели. Чтобы сверло не отклонялось от заданного отверстия, проверьте, чтобы оно находилось в требуемом положении.
- Если высверливаемое отверстие забилося крошкой или пылью, не прикладывайте к инструменту дополнительное усилие. Добейтесь свободного вращения инструмента и выведите часть сверла из отверстия. При многократном повторении засорение устраняется, и можно будет продолжать нормальное сверление.

Внимание! Если сверло столкнется с цементом или стальной арматурой в цементе, может произойти опасная отдача инструмента. Чтобы не произошла опасная отдача инструмента, его надо крепко держать в уравновешенной и устойчивом положении.

Перегрузка соединительного устройства

Если сверло заклинит, или оно за что-то зацепится, приводное усилие, передаваемое валу дрели, будет прервано. Это приведет к сильной отдаче, и поэтому необходимо крепко держать инструмент двумя руками и оставаться в устойчивом положении.

Задание глубины сверления (Рис. E)

Задание глубины сверления является удобной функцией, которая обеспечивает однородность сверления по глубине. Ослабьте боковую рукоятку, чтобы отрегулировать ограничитель глубины согласно требуемой глубине. После этого затяните боковую рукоятку.

- Ослабьте боковую рукоятку (5), поворачивая зажим против часовой стрелки.
- Установите ограничитель глубины (6) в требуемое положение. Максимальная глубина сверления равна расстоянию между наконечником сверла дрели и передним концом ограничителя глубины.
- Затяните боковую рукоятку, поворачивая зажим по часовой стрелке.

Включение и выключение

Внимание! Перед тем, как подключить инструмент к сети, проверьте, что переключатель легко переключался и после нажатия возвращался в исходное положение.

- Чтобы включить инструмент нажмите переключатель количества оборотов (1). Скорость вращения инструмента зависит от того, в какой степени вы нажали (утопили) переключатель количества оборотов.
- В качестве общего правила, при использовании сверла большого диаметра надо работать на меньших оборотах, а при использовании сверла меньшего диаметра надо повышать обороты.
- При продолжительной работе нажмите кнопку фиксации (2) и отпустите переключатель количества оборотов.
- Чтобы выключить инструмент отпустите переключатель количества оборотов. Чтобы выключить инструмент после продолжительной работы, еще раз нажмите и отпустите переключатель количества оборотов.

Принадлежности

Эффективность работы вашего инструмента зависит от используемых принадлежностей. Принадлежности BLACK+DECKER разработаны в соответствии с высокими стандартами качества, и их конструкция улучшает рабочие характеристики вашего инструмента. При использовании этих принадлежностей вы получите от вашего инструмента максимальную пользу.

Техническое обслуживание

Конструкция вашего проводного/беспроводного инструмента BLACK+DECKER рассчитана на работу на протяжении длительного периода времени при минимальном техническом обслуживании. Для обеспечения удовлетворительной работы инструмента он должен проходить регулярное техническое обслуживание и очистку.

Внимание! Перед выполнением каких-либо работ по обслуживанию инструмента с проводным/беспроводным питанием:

- Отключите и извлеките приспособление/инструмент.
- Или выключите устройство/инструмент и достаньте из него аккумуляторную батарею, если устройство/инструмент оборудован отдельным батарейным отсеком.
- Или дайте аккумуляторной батарее разрядиться до конца и затем выключите инструмент.
- Перед проведением очистки зарядного устройства выньте его штепсельную вилку из сетевой розетки. Кроме периодической очистки, ваше зарядное устройство не требует других операций технического обслуживания.
- Регулярно выполняйте чистку вентиляционных прорезей в инструменте/зарядном устройстве с помощью мягкой щетки или сухой ткани.
- Регулярно выполняйте очистку корпуса двигателя с помощью влажной ткани. Не используйте для очистки абразивные материалы и чистящие средства на основе неводных растворителей.
- Регулярно раскрывайте и выколачивайте зажимной патрон (если он установлен) для удаления пыли из его внутренней части.

Замена угольной щетки (Рис. D)



Смазка

- Регулярно проверяйте и меняйте графитовые щетки. Как только щетка полностью износится и сотрется вследствие продолжительного использования, ее необходимо заменить. Поддерживайте чистоту угольных щеток, чтобы они могли свободно скользить внутри щеткодержателя. Обе угольные щетки необходимо менять одновременно.
- Выкрутите крепежные винты (9) с угольной щетки, чтобы можно было снять щетку (10) и щеткодержатель.
- Снимите спиральную пружину, поддерживающую угольную щетку (11) в щеткодержателе, и вставьте новую щетку с надлежащими техническими характеристиками.
- Установите на место щеткодержатель и вставьте по месту спиральную пружину.



Очистка



Внимание! Удалите продувкой сухим воздухом пыль и грязь из главного корпуса, когда увидите, что они осели на выпускных воздушных отверстиях. При выполнении надевайте защитные очки и пылезащитную маску утвержденного образца.



Внимание! Запрещается использовать растворители и агрессивные химикаты для очистки неметаллических частей инструмента. Указанные химические вещества могут ухудшить характеристики прочности материалов этих частей. Для очистки инструмента пользуйтесь только мягким мыльным раствором и слегка влажной тканью. Ни в коем случае не допускайте попадания жидкости внутрь инструмента и не погружайте инструмент какой-либо частью в жидкость.

Информация по обслуживанию

BLACK+DECKER предлагает обширную сеть принадлежащих компании и авторизованных сервисных центров по всей Азии. Все сервисные центры BLACK+DECKER укомплектованы обученным персоналом, который выполняет эффективное и надежное сервисное обслуживание владельцев электрических инструментов.

Если вам необходим технический совет, ремонт или оригинальные запасные детали, свяжитесь с ближайшим представителем BLACK+DECKER.

ПРИМЕЧАНИЕ

- Одним из принципов политики BLACK+DECKER является постоянное совершенствование наших продуктов, и поэтому мы оставляем за собой право изменять характеристики наших продуктов без предварительного извещения.
- Стандартное оборудование и принадлежности в разных странах могут отличаться.
- Технические характеристики изделий в разных странах могут отличаться.
- Полная линейка продуктов может быть в наличии не во всех странах. По вопросу наличия наших продуктов обратитесь к дилерам BLACK+DECKER.

Технические данные

		BDHR202
Потребляемая мощность	Вт	620
Напряжение	В	220-240
Частота	Гц	50/60
Скорость холостого хода	/мин.	0-1250
Частота ударов	ударов/мин	0-3900
Энергия удара	Дж	1,34
Режимы		2
Наибольший диаметр сверления		
Бетон	мм	20
Сталь	мм	13
Дерево	мм	25
Вес	кг	2,6

Защита окружающей среды



Раздельный сбор отходов. Запрещается утилизировать этот продукт вместе с обычными бытовыми отходами.

Если вы решите, что ваше изделие BLACK+DECKER необходимо заменить, или если вы не будете его больше использовать, не утилизируйте его вместе с бытовыми отходами. Этот продукт подлежит раздельному сбору отходов.



Раздельный сбор использованных продуктов и упаковочных материалов позволяет производить их вторичную переработку с дальнейшим повторным использованием. Повторное использование материалов, прошедших вторичную переработку, снижает загрязнение окружающей среды и уменьшает потребность в сырьевых материалах.

Нормативные акты местных органов власти могут предусматривать сбор использованных электрических изделий отдельно от бытовых отходов, в муниципальных пунктах сбора отходов или в магазине при покупке нового изделия.

BLACK+DECKER предоставляет возможность для сбора и повторной переработки продуктов BLACK+DECKER после окончания срока их службы. Чтобы воспользоваться преимуществом этого сервиса, пожалуйста, отправьте ваш продукт любому уполномоченному представителю по ремонту, который собирает такие изделия от нашего имени.

Вы можете узнать адрес нашего ближайшего уполномоченного представителя по ремонту, позвонив в региональное представительство BLACK+DECKER, указанное в этой инструкции. Кроме того, список уполномоченных представителей по ремонту BLACK+DECKER, подробная информация о послепродажном обслуживании и контактные данные можно найти на сайте www.2helpU.com.

Гарантийные обязательства

Black + Decker уверена в качестве своих изделий и предоставляет исключительную гарантию. Данное заявление о гарантии дополняет и ни в коей мере не нарушает ваши законные права.

Если продукт производства Black + Decker придет в негодность вследствие некачественных материалов, некачественного изготовления или несоответствия требованиям, BLACK+DECKER гарантирует в пределах 24-х месяцев с даты продажи выполнять замену дефектных деталей, выполнять ремонт изделий, подвергшихся естественному износу, или выполнять замену таких изделий, для сведения к минимуму неудобств для покупателя, за исключением перечисленных ниже случаев:

- Данный продукт был использован для продажи, на промышленных работах или сдавался на прокат.
- Данный продукт использовался неправильно или без надлежащего ухода.
- Данному продукту был нанесен ущерб посторонними предметами, веществами или вследствие чрезвычайного происшествия.
- Была осуществлена попытка ремонта продукта лицами, не являющимися уполномоченными представителями по ремонту или ремонтно-обслуживающим персоналом Black + Decker.

Чтобы заявить претензию по гарантии, необходимо будет предоставить подтверждение покупки продавцу или уполномоченному представителю по ремонту. Вы можете узнать адрес нашего ближайшего уполномоченного представителя по ремонту, позвонив в региональное представительство BLACK+DECKER, указанное в этой инструкции. Кроме того, список уполномоченных представителей по ремонту BLACK+DECKER, подробная информация о послепродажном обслуживании и контактные данные можно найти на сайте www.2helpU.com.



Гарантийные условия

Уважаемый покупатель!

1. Поздравляем Вас с покупкой высококачественного изделия Black + Decker и выражаем признательность за Ваш выбор.
2. При покупке изделия требуйте проверки его комплектности и исправности в Вашем присутствии, инструкцию по эксплуатации и заполненный гарантийный талон на русском языке.

В гарантийном талоне должны быть внесены: модель, дата продажи, серийный номер, дата производства инструмента; название, печать и подпись торговой организации. При отсутствии у Вас правильно заполненного гарантийного талона мы будем вынуждены отклонить Ваши претензии по качеству данного изделия.

3. Во избежание недоразумений убедительно просим Вас перед началом работы с изделием внимательно ознакомиться с инструкцией по его эксплуатации.

Правовой основой настоящих гарантийных условий является действующее Законодательство.

Гарантийный срок на данное изделие составляет 24 месяца и исчисляется со дня продажи. В случае устранения недостатков изделия, гарантийный срок продлевается на период его нахождения в ремонте.

Срок службы изделия - 5 лет со дня продажи.

4. В случае возникновения каких-либо проблем в процессе эксплуатации изделия рекомендуем Вам обращаться только в уполномоченные сервисные центры Black + Decker, адреса и телефоны которых Вы сможете найти в гарантийном талоне, на сайте www.2helpU.com или узнать в магазине. Наши сервисные станции - это не только квалифицированный ремонт, но и широкий ассортимент запчастей и принадлежностей.
5. Производитель рекомендует проводить периодическую проверку и техническое обслуживание изделия в уполномоченных сервисных центрах.



Изготовитель

Блэк энд Деккер Холдингс ГмБХ
Германия, 65510, Идштайн,
ул. Блэк энд Деккер, 40

6. Наши гарантийные обязательства распространяются только на неисправности, выявленные в течение гарантийного срока и вызванные дефектами производства и \ или материалов.
7. Гарантийные обязательства не распространяются на неисправности изделия, возникшие в результате:
 - 7.1. Несоблюдения пользователем предписаний инструкции по эксплуатации изделия, применения изделия не по назначению, неправильному хранении, использования принадлежностей, расходных материалов и запчастей, не предусмотренных производителем.
 - 7.2. Механического повреждения (сколы, трещины и разрушения) внутренних и внешних деталей изделия, основных и вспомогательных рукояток, сетевого электрического кабеля, вызванного внешним ударным или любым иным воздействием.
 - 7.3. Попадания в вентиляционные отверстия и проникновение внутрь изделия посторонних предметов, материалов или веществ, не являющихся отходами, сопровождающими применение изделия по назначению, такими как: стружка, опилки, песок, и пр.
 - 7.4. Воздействие на изделие неблагоприятных атмосферных и иных внешних факторов, таких как дождь, снег, повышенная влажность, нагрев, агрессивные среды, несоответствие параметров питающей электросети, указанным на инструменте.
 - 7.5. Стихийного бедствия. Повреждение или утрата изделия, связанное с непредвиденными бедствиями, стихийными явлениями, в том числе вследствие действия непреодолимой силы (пожар, молния, потоп и другие природные явления), а так же вследствие перепадов напряжения в электросети и другими причинами, которые находятся вне контроля производителя.
8. Гарантийные условия не распространяются:
 - 8.1. На инструменты, подвергавшиеся вскрытию, ремонту или модификации вне уполномоченной сервисного центра.
 - 8.2. На детали и узлы, имеющие следы естественного износа, такие как: приводные ремни и колеса, угольные щетки, смазка, подшипники, зубчатое зацепление редукторов, резиновые уплотнения, сальники, направляющие ролики, муфты, выключатели, бойки, толкатели, стволы и т.п.
 - 8.3. на сменные части: патроны, цанги, зажимные гайки и фланцы, фильтры, аккумуляторные батареи, ножи, шлифовальные подшвы, цепи, звездочки, пыльные шины, защитные кожухи, пилки, абразивы, пыльные и абразивные диски, фрезы, сверла, буры и т.п.
 - 8.4. На неисправности, возникшие в результате перегрузки инструмента (как механической, так и электрической), повлекшей выход из строя одновременно двух и более деталей и узлов, таких как: ротора и статора, обеих обмоток статора, ведомой и ведущей шестерни редуктора и других узлов и деталей. К безусловным признакам перегрузки изделия относятся, помимо прочего: появление цветов побелости, деформация или оплавление деталей и узлов изделия, потемнение или обугливание изоляции проводов электродвигателя под воздействием высокой температуры.

Kullanım amacı

BLACK+DECKER BDHR202 SDS plus kırıcı delici matkabınız, hafif kesme uygulamalarının yanı sıra aynı zamanda ahşap, metal, plastik ve taşları delmek üzere tasarlanmıştır.

Güvenlik talimatları

Genel elektrikli alet güvenlik uyarıları.



Uyarı! Tüm güvenlik uyarılarını ve talimatları okuyun.Aşağıda listelenen uyarılara ve talimatlara uyulmaması halinde, elektrik çarpması, yangın ve/veya ciddi yaralanmalar olabilir.

İleride ihtiyaç duyulması ihtimaline karşın tüm uyarıları ve talimatları saklayın. Aşağıda listelenen uyarıların tümünde geçen "elektrikli alet" terimi, elektrik şebekesiyle çalışan (kablolu) elektrikli aletleri veya bataryayla çalışan (kablesiz) elektrikli aletleri ifade etmektedir.

1. Çalışma alanı güvenliği

- Çalışma alanı temiz tutulmalı ve iyi aydınlatılmalıdır.** Dağınık veya karanlık alanlar, kazalara neden olur.
- Elektrikli aletleri, alev alabilen sıvıların, gazların veya tozun olduğu ortamlar gibi patlayıcı ortamlarda çalıştırmayın.** Elektrikli aletler, tozları veya buharları tutuşturabilen kıvılcımlar çıkarır.
- Bir elektrikli aleti çalıştırırken, çocukları ve izleyen kişileri uzak tutun.** Dikkat dağınıklığı, kontrolü kaybetmenize neden olabilir.

2. Elektriksel güvenlik

- Elektrikli aletlerin fişleri, prizlerle uyumlu olmalıdır. Fişin üzerinde hiçbir şekilde değişiklik yapmayın. Adaptör fişleri, topraklanmış elektrikli aletlerle kullanmayın.** Üzerinde değişiklik yapılmamış fişler ve uyumlu prizler, elektrik çarpması riskini azaltır.
- Boru, radyatör, ocak veya buzdolabı gibi topraklanmış yüzeylerle vücut temasından kaçının.** Vücudunuz topraklanırsa, elektrik çarpması riski artar.
- Elektrikli aletleri yağmura veya ıslak koşullara maruz bırakmayın.** Elektrikli aletin içine su girmesi, elektrik çarpması riskini artırır.
- Kabloya zarar vermeyin. Kabloyu asla taşıma, çekme ve prizden sökme gibi işlemler için kullanmayın. Kabloyu ısıdan, yağdan, keskin kenarlardan ve hareketli parçalardan uzak tutun.** Hasar görmüş veya karışmış kablolar, elektrik çarpması riskini artırır.

- Elektrikli bir aleti açık havada çalıştırırken, açık havada kullanım için uygun bir uzatma kablosu kullanın.** Açık havada kullanımı için uygun bir kablonun kullanılması, elektrik çarpması riskini azaltır.

- Elektrikli aletin nemli bir yerde çalıştırılması gerekiyorsa, kaçak akım rölesi (RCD) korumalı bir besleme kullanın.** Kaçak akım rölesinin kullanılması, elektrik çarpması riskini azaltır.

3. Kişisel güvenlik

- Bir elektrikli aleti çalıştırırken tetikte olun, ne yaptığınıza dikkat edin ve sağlıklı davranın. Uyuşturucu maddelerin, alkolün veya ilaçların etkisi altındayken elektrikli alet kullanmayın.** Elektrikli aletleri çalıştırırken, bir anlık dikkatsizlik ciddi yaralanmalara neden olabilir.
- Kişisel koruyucu donanım kullanın. Daima göz koruması kullanın.** Uygun koşullar için kullanılan toz maskesi, kaymaz güvenlik ayakkabısı, baret veya kulak tıkacı gibi koruyucu donanımlar, yaralanma riskini azaltır.
- İstem dışı çalışmayı önleyin. Aleti kaldırmadan, taşımadan veya güç kaynağına ve /veya batarya kutusuna bağlamadan önce, aletin kapalı konumda olduğundan emin olun.** Aleti, parmağınız düğmenin üzerindeyken taşımak veya açma düğmesi olan aletlere enerji vermek, kazalara davetiye çıkarır.
- Elektrikli aleti açmadan önce, ayar anahtarını veya İngiliz anahtarını çıkarın.** Aletin döner bölümüne takılı halde bırakılmış İngiliz anahtarı veya anahtar, yaralanmalara neden olabilir.
- Kapasiteyi aşmayın. Daima uygun dayanak ve denge sağlayın.** Bu, beklenmeyen durumlarda aletin daha iyi kontrol edilebilmesini sağlar.
- Uygun giyinin. Bol kıyafetler giymeyin ve takı takmayın. Saçlarınızı, kıyafetlerinizi ve eldivenlerinizi, hareketli parçalardan uzak tutun.** Bol kıyafetler, takılar ve uzun saçlar, hareketli parçalara takılabilir.
- Cihazlarda toz giderme ve toplama tesisatı varsa, bunların bağlı olduğundan ve uygun şekilde bağlantı yapılarak kullanıldığından emin olun.** Toz toplama tesisatının kullanımı, tozdan kaynaklı hasarları azaltabilir.

4. Elektrikli alet kullanımı ve bakımı

- Elektrikli aleti zorlamayın. Uygulamanız için doğru elektrikli aleti kullanın.** Doğru elektrikli alet, tasarlanma amacı oranında işi daha iyi ve daha güvenli bir şekilde yapacaktır.

- b. **Elektrikli alet, düğme kullanılarak açılmıyor veya kapatılmıyorsa, aleti kullanmayın.** Düğme ile kontrol edilemeyen elektrikli aletler tehlike arz eder ve tamir edilmeleri gerekir.
- c. **Herhangi bir ayarlama veya aksesuar değişikliği yapmadan veya aletleri kaldırmadan önce, fişi güç kaynağından çekin ve/veya batarya kutusunu elektrikli aletten çıkarın.** Bu gibi önleyici güvenlik önlemleri, elektrikli aletin kazara çalıştırılması riskini azaltır.
- d. **Kullanılmayan elektrikli aletleri çocukların erişemeyeceği yerlerde saklayın ve elektrikli alete veya bu talimatlara aşına olmayan kişilerin aleti çalıştırmasına izin vermeyin.** Elektrikli aletler, eğitimsiz kişiler tarafından kullanıldığında tehlike arz eder.
- e. **Elektrikli aletlerin bakımını yapın. Hareketli parçalarda yanlış ayarlama veya bağlantı olup olmadığını, parçalarda kırık olup olmadığını ve elektrikli aletin çalışmasını etkileyecek herhangi başka bir durum olup olmadığını kontrol edin. Hasar varsa, elektrikli aleti kullanmadan önce tamir ettirin.** Çoğu kazanın nedeni, elektrikli aletlerin bakımının iyi yapılmamasıdır.
- f. **Kesme aletlerini keskin ve temiz halde tutun.** Bakımı iyi yapılmış keskin kenarlı kesme aletlerinin tutukluk yapma ihtimali daha düşüktür ve kontrol edilmeleri daha kolaydır.
- g. **Elektrikli aleti, aksesuarları, torna kalemlerini vb. parçaları, çalışma koşullarını ve yapılacak işi dikkate alarak, bu talimatlar uyarınca kullanın.** Elektrikli aletin kullanım amacından başka işlemler için kullanılması, **tehlikeli durumlara neden olabilir.**
5. **Servis**
- a. **Elektrikli cihazınızın bakımını, yalnızca aynı yedek parçaları kullanan kalifiye bir tamirciye yaptırın.** Böylece, cihazınızın güvenli halinin devam ettiğinden emin olursunuz.

Not: Şebeke gerilimi: Şebeke bağlantısını yaparken, şebeke geriliminin elektrikli aletin gerilimine uygun olup olmadığını kontrol etmek gereklidir. Şebeke gerilimi elektrikli aletin üzerinde yazan gerilimden fazla ise, meydana gelebilecek bir kazada kullanıcı ciddi anlamda yaralanabilir ve alet zarar görebilir. Diğer taraftan, şebeke gerilimi aletin gerektirdiği gerilimden daha düşük ise, motor zarar görebilir. Bu nedenle, eğer gerilimi doğrulamak mümkün değilse, aletin güç kaynağına bağlanmaması gerekir.

Matkap emniyet uyarıları

- **İşitme koruyucu kullanın.** Gürültüye maruz kalma,

duyma kaybına neden olabilir.

- **Aletle birlikte tedarik edilen yardımcı kol/kollar varsa bunları kullanın.** Kontrol kaybı, yaralanmalara neden olabilir.
- **Kesme aksesuarlarının gizli bağlantıya veya kendi kablosuna temas edebileceği bir iş yaparken, elektrikli aleti yalıtımlı tutma yüzeylerinden tutun.** Kesme aksesuarlarının "elektrikli" bir tele temas etmesi, elektrikli aletin açtıktaki metal parçalarının "elektriklenmesine" ve kullanıcının çarpılmasına neden olabilir.
- Kesme aksesuarını döner modda kullanmayın. Aksesuar malzemeye takılır ve matkabı döndürür.
- Parçayı sabit bir platforma sabitlemek ve desteklemek için, kışkaç veya başka bir pratik yol kullanın. Parçayı elinizle veya vücudunuza doğru tutmak, parçayı sabit olmayan bir hale getirir ve kontrol kaybına neden olabilir.
- Duvarı, zemini veya tavanı delmeden önce, elektrik tesisatının ve boruların yerini kontrol edin.
- Yanmamak için delme işlemi bittikten sonra matkap ucuna dokunmaktan kaçının.
- Kullanım amacı bu talimat kılavuzunda açıklanmıştır. Bu aletin, talimat kılavuzunda tavsiye edilenler dışında herhangi bir aksesuarının, eklentisinin veya performansının kullanılması, yaralanmalara ve/veya mal hasarına neden olabilir.

Diğer kişilerin güvenliği

- Bu alet, aletin kullanımı konusunda bilgilendirilmedikleri veya güvenliklerinden sorumlu bir kişi tarafından gözetim altında tutulmadıkları sürece, fiziksel, duyuşsal veya zihinsel yetenekleri yetersiz olan veya tecrübe ve bilgi eksikliği olan kişiler (çocuklar dahil) tarafından kullanılamaz.
- Çocuklar, cihazla oynamadıklarından emin olmak için gözetim altında tutulmalıdır.

Diğer riskler

Artık ek riskler, ürün ilgili güvenlik uyarılarında mevcut olmayan şekilde kullanıldığında ortaya çıkabilir. Bu riskler yanlış kullanım, uzun süreli kullanım vb. nedenlerden dolayı ortaya çıkabilir. Güvenlik cihazlarının ilgili güvenlik yönetmeliklerinin ve uygulamalarının yerine getirilmesi bile bazı risklerden kaçınmak için yeterli değildir.

Bunlar

- Döner/hareketli parçalara dokunmaktan kaynaklanan yaralanmalar.

- Parçaları, bıçakları veya aksesuarları değiştirirken meydana gelen yaralanmalar,
- Bir aletin uzun süreli kullanımından kaynaklanan yaralanmalar, Herhangi bir aleti uzun süre kullanırken, düzenli aralar verdiğinizden emin olun,
- Duyma bozukluğu.
- Aletinizi kullanırken toz solumaktan dolayı meydana gelen sağlık tehditleri (örneğin, ahşapla çalışırken; özellikle de meşe, kayın ve MDF).

Aletin üzerindeki etiketler

Aletin üzerinde, aşağıdaki resimli semboller yer alır:



Uyarı! Kullanıcı, yaralanma riskini azaltmak için, kullanım talimatını okumalıdır.

Tarih Barkodunun Konumu (Şekil C)

Üretim yılını da içeren tarih kodu (12) muhafazanın üzerine basılmıştır.

Örnek:

2015 XX JN
Üretim yılı

Elektriksel güvenlik

Bu alet çift yalıtımlıdır; dolayısıyla topraklama kablosu gerekmez. Şebeke geriliminin anma değeri plakasındaki gerilimle uyumlu olup olmadığını daima kontrol edin. Uyumlu.

- Hasar görmesi halinde, besleme kablosunun tehlikelerden kaçınmak için üretici veya yetkili bir Black and Decker Servis Merkezi tarafından yenisiyle değiştirilmesi gerekir.

Uzatma kablosunun kullanımı



Bir uzatma kablosu kullanmanız gerekirse, lütfen aletin güç giriş spesifikasyonlarına uygun olan onaylanmış bir uzatma kablosu kullanın (lütfen teknik bilgilere bakın). İletken telim minimum çapraz kesiti 1,5 milimetrekare olmalıdır. Kablolar sarılmadan önce çözülmelidir.

Lütfen aşağıdaki tabloya bakın.

Kablonun çapraz kesit alanı (mm ²)	Kablo anma akımı (Amper)
0,75	6
1,00	10
1,50	15
2,50	20
4,00	25
Kablo uzunluğu (m)	
	7,5 15 25 30 45 60

Gerilim	Amper	Kablo sınıfı (Amper)					
115	0 - 2,0	6	6	6	6	6	10
	2,1 - 3,4	6	6	6	6	15	15
	3,5 - 5,0	6	6	10	15	20	20
	5,1 - 7,0	10	10	15	20	20	25
230	7,1 - 12,0	15	15	20	25	25	-
	12,1 - 20,0	20	20	25	-	-	-
	0 - 2,0	6	6	6	6	6	6
230	2,1 - 3,4	6	6	6	6	6	6
	3,5 - 5,0	6	6	6	6	10	15
	5,1 - 7,0	10	10	10	10	15	15
	7,1 - 12,0	15	15	15	15	20	20
	12,1 - 20,0	20	20	20	20	25	-

Özellikler (Şekil E)

Aşağıdaki özelliklerin bazıları veya tümü bu alette mevcuttur.

1. Değişken hız düğmesi
2. Kilitleme düğmesi
3. Mod seçicisi
4. Alet tutucusu
5. Yan sap
6. Derinlik durdurucu
7. İleri / Geri kolu

Montaj

Uyarı! Montajdan önce, ürünün kapalı konumda ve prizden çekilmiş olduğundan emin olun.

İkinci sapın takılması (Şekil E)

Uyarı! Beton ya da tuğlalar üzerinde delik delerken, emniyetiniz için lütfen yan sapı kullanın.

- Gösterdiği şekilde, yan kolu aletin ön tarafına çekebilene kadar kulpu saat yönünün tersine çevirin.
- Yan kolu istenen konuma döndürün.
- Kulpu saat yönüne çevirerek yan kolu sıkın. Uyarı! Aleti kullanırken yan sapların düzgün takmayı unutmayın.

Bir aksesuarın takılması (Şekil A)

- Aksesuar sapını (15) temizleyin ve yağlayın. • Aksesuar çubuğunu alet tutucusuna (4) takın.
- Aksesuarı aşağı itin ve yuvaya oturana kadar hafif döndürün.
- Kilitlendiğinden emin olmak için aksesuarı çekin. Darbeli delme ve delme fonksiyonu için aksesuar alet tutucusuna kilitlendikten sonra birkaç santimetre eksensel olarak hareket edebilmelidir.
- Aksesuarı çıkarmak için kolu (8) çekin ve aksesuarı alet tutucusundan çıkarın.

Kullanım

Uyarı! Aleti lütfen normal yükte çalıştırın. Aşırı yüklemeye yapmayın.

Uyarı! Duvarı, zemini veya tavanı delmeden önce, elektrik tesisatının ve boruların yerini kontrol edin.

Çalışma Modunun seçimi (Şekil B)

Alet iki çalışma modunda kullanılabilir. Delme modu selektörü (3) iş gerekliliklerine göre döndürülerek istenen konuma getirilebilir.

Delik delme / Tornavida (Şekil B, F, G, H)

- Çelik, ahşap ve plastik delmek ya da vida sıkıştırmak ve gevşetmek için, çalışma modu selektörünü (3) [simge] konumuna ayarlayın. Aynı anda, eklenti çubuğunu kenetlemek için uygun bir matkap kovani (13) (1) kullanmak gereklidir.
- Matkap kovani (13) takım tutucuya (4), eklentilerin takılma talimatlarına göre takın. Matkap kovaniyi çevirerek matkap tutucusunun ön ucundaki tutucuyu gevşetin ve aksesuar çubuğunu (14) tutuculara taktıktan

sonra kovani ters yöne doğru döndürün. Tutucuyu sıkıştırmak için matkap kovani anahtarını da kullanabilirsiniz.

- Çelik, ahşap ve plastik delmek için, ileri/geri (7) kolunu ileri/geri pozisyonuna ayarlayın (Şekil G). Tornavida işlevi için kullanıldığında, vidaları ileri / geri (7) kolunu ileri konumuna alarak sıkıştırma (Şekil G), ileri /geri kolunu geri konumuna alarak da gevşetme yapabilirsiniz (Şekil H).

Darbeli delme (Şekil B)

- Taş ve betonda darbeli delme işlemi için, çalışma modu selektörünü (3) **T1** konumuna ayarlayın.
- Delme ucunun delme deliği konumuna doğru biçimde yerleştirilmesi gerekir. Bundan sonra, optimum etki için düğmeyi çekin. Delme işleminin delikten sapmaması için aletin doğru pozisyonunda olduğundan emin olun.
- Delik kalıntıları ya da ince tozla tıkanıldığında, lütfen daha fazla baskı uygulamayın. Alet serbest çalışma modundayken matkap ucunun bir kısmı delikten çıkarın. Bunu birkaç kez tekrar ederek deliği temizleyebilir ve normal delme işlemine devam edebilirsiniz.

Uyarı! Matkap ucu betona ya da beton içindeki bir çelik çubuğa çarparsa, alet tehlikeli bir biçimde geri tepebilir. Tehlikeli geri tepmeleri önlemek için aleti lütfen dengeli ve sabit bir şekilde sıkıca tutun.

Aşırı yük birleştirme cihazı

Eğer matkap ucu kapılırsa ya da takılırsa, matkap shaftına aktarılan itici güç kesilir . Bu da güçlü bir geri tepmeye neden olur. Bu nedenle aletin iki elle sıkı bir şekilde, sabit tutulması gerekir.

Delme derinliğinin ayarlanması (Şekil E)

Derinlik duruşu, delme derinliğinde tutarlılık sağlamak için faydalı bir özelliktir. Derinlik aletini gerekli derinliğe göre ayarlamak için yan sapı gevşetin. Bundan sonra yan sapı sıkıştırın.

- Kulpu saat yönünün tersine çevirerek yan kolu (5) gevşetin.
- Derinlik durdurucuyu (6) gerekli konuma ayarlayın. Maksimum delme derinliği, matkap ucu ile derinlik durdurucunun ön ucu arasındaki mesafeye eşittir.
- Kulpu saat yönüne çevirerek yan kolu sıkın.

Açma ve kapatma

Uyarı! Güç kaynağı bağlantısını açmadan önce, düğmenin serbestçe çevrilebildiğinden ve bırakıldığında ilk konumuna dönebildiğinden emin olun.

- Aleti açmak için, değişken hız düğmesine (1) basın. Alet hızı, düğmeye ne kadar bastığınıza bağlıdır.
- Genel bir kural olarak, geniş çaplı matkap uçları için düşük hız, daha küçük çaplı matkap uçları için yüksek hız kullanın.
- Sürekli çalışma için, kilit düğmesine (2) basın ve değişken hız düğmesini bırakın.
- Aleti kapatmak için, değişken hız düğmesini bırakın. Sürekli çalışma halindeyken aleti kapatmak için, değişken hız düğmesine bir kez daha basın ve bırakın.

Aksesuarlar

Aletinizin performansı, kullanılan aksesuara bağlıdır. BLACK+DECKER aksesuarları, yüksek kalite standartlarına göre ve aletinizin performansını iyileştirmek üzere tasarlanmıştır. Bu aksesuarları kullanarak, aletinizden en iyi performansı alırsınız.

Bakım

BLACK+DECKER kablolu/kablosuz cihazınız/aletinizi, minimum bakım gereksinimi ile uzun zaman çalışmak üzere tasarlanmıştır. Tatmin edici bir çalışma için, alette düzenli bakım ve temizlik yapılmalıdır.

Uyarı! Kablolu/kablosuz aletlere bakım yapmadan önce:

- Cihazı/aleti kapatın ve fişini çekin.
- Veya cihazın/aletin ayrı bir akü paketi varsa ürünü kapatıp aküsünü çıkarın.
- Veya söz konusu akü tümleşik yapıdaysa şarjını bitirip ardından ürünü kapatın.
- Şarj cihazını temizlemeden önce prizden çıkarın. Şarj cihazınız düzenli temizlikten başka bir bakım işlemi gerektirmez.
- Yumuşak bir fırça veya kuru bir bez kullanarak, cihazınız/aletinizi/şarj cihazınızdaki havalandırma deliklerini düzenli olarak temizleyin.
- Motor yuvasını nemli bir bez kullanarak düzenli olarak temizleyin. Aşındırıcı veya çözücü bazlı temizlik malzemeleri kullanmayın.
- Matkap kovanını düzenli aralıklarla açın ve iç kısımdaki tozları dışarı çıkarmak için hafifçe vurun (takılıyken).

Karbon fırçayı değiştirin (Şekil D)



Yağlama

- Karbon fırçayı düzenli olarak değiştirin ve teftiş edin. Sürekli aşınma ve yıpranma tamamen eskidiğinde

değiştirilmesi gerekir. Karbon fırça temiz tutulmalı ve fırça tutucusu içinde serbestçe hareket edebilmelidir. Her iki karbon fırça da aynı anda değiştirilmelidir.

- Karbon fırçayı (10) ve fırça tutucusunu çıkarmak için, karbon fırça üzerindeki sabit vidaları (9) çıkarın.
- Fırça tutucusundaki karbon fırçayı destekleyen spiral yayı (11) çıkarın ve spesifikasyonları karşılayan yeni bir karbon fırça takın.
- Fırça tutucusunu tekrar ayarlayın ve destek spiral yayını ilk konumuna alın.



Temizlik



Uyarı! Havalandırmanın içinde ve etrafında kir birikintileri gördüğünüzde, kuru hava kullanarak ana muhafazanın dışındaki kirleri ve tozları üfleyin. Bu prosedürü gerçekleştirirken onaylı göz koruması ve onaylı toz maskesi kullanın.



Uyarı! Aletin metalik olmayan kısımlarını temizlemek için asla çözücüler ya da başka sert kimyasallar kullanmayın. Bu kimyasallar, parçaların malzemesini zayıflatabilir. Aleti temizlemek için yalnızca hafif sabun ve nemli bir bez kullanın. Aletin içine sıvı girmesine asla izin vermeyin; aletin hiçbir parçasını asla bir sıvıya batırmayın.

Servisi Bilgileri

BLACK+DECKER, tüm Asya'da şirketin kendisinin sahip olduğu ve yetkilendirdiği servis konularından oluşan bir ağa sahiptir. Tüm BLACK+DECKER Servis Merkezlerinde, verimli ve güvenli ürün servisi sunmak için eğitimli personel çalıştırılmaktadır.

Teknik tavsiyeye, tamire ya da orijinal yedek parçaya ihtiyacınız olduğunda, size en yakın BLACK+DECKER konumu ile iletişim kurun.

NOT

- BLACK+DECKER'in politikalarından biri de ürünlerimizde sürekli iyileştirme gerçekleştirmektir. Bu nedenle ürünlerin teknik özelliklerinde önceden haber vermeksizin değişiklikler yapma hakkımızı saklı tutarız.
- Standart ekipman ve aksesuarlar ülkelere göre farklılık gösterebilir.
- Ürün teknik özellikleri ülkelere göre farklılık gösterebilir.
- Ürün serilerinin bütün modelleri bütün ülkelerde sunuluyor olmayabilir. Ürünlerin sunulup sunulmadığını öğrenmek için yerel BLACK+DECKER satıcılarınızla iletişime geçin.

Teknik veriler

BDHR202		
Güç girişi	W	620
Gerilim	V	220-240
Frekans	Hz	50/60
Yüksüz hız	/dk	0-1250
Dabe hızı	BPM	0-3900
Darbe enerjisi	J	1,34
Modlar		2
Maksimum delme kapasitesi		
Beton	mm	20
Çelik	mm	13
Ahşap	mm	25
Ağırlık	kg	2,6

Çevrenin korunması



Ayrı olarak atın. Bu ürün, normal evsel atıklarla birlikte atılmamalıdır.

BLACK+DECKER ürününüzün değiştirilmesi gerektiğini düşünmeniz veya artık kullanılamaz durumda olması halinde onu, evsel atıklarla birlikte atmayın. Bu ürünü, ayrı olarak toplanacak şekilde atın.



Kullanılmış ürünlerin ve ambalajların ayrı olarak toplanması bu maddelerin geri dönüşüme sokularak yeniden kullanılmasına olanak tanır. Geri dönüşümlü maddelerin tekrar kullanılması çevre kirliliğinin önlenmesine yardımcı olur ve ham madde ihtiyacını azaltır.

Yerel yönetmelikler, elektrikli ürünlerin evlerden toplanıp belediye atık tesislerine aktarılması veya yeni bir ürün satın alırken perakende satıcı tarafından toplanması yönünde hükümler içerebilir.

BLACK+DECKER, hizmet ömrünün sonuna ulaşan BLACK+DECKER ürünlerinin toplanması ve geri dönüşme sokulması için bir imkan sunmaktadır. Bu hizmetin avantajlarından faydalanmak için, lütfen, ürününüzü bizim adımıza teslim alacak herhangi bir yetkili servise iade edin.

Bu kılavuzda belirtilen listeden size en yakın BLACK+DECKER yetkili tamir servisinin yerini öğrenebilirsiniz. Ya da, alternatif olarak internet'ten BLACK+DECKER yetkili tamir servislerinin listesini ve satış sonrası hizmetlerimizle ilgili tüm bilgiler ve temas bilgilerine aşağıdaki siteden ulaşabilirsiniz. www.2helpU.com

Garanti

BLACK+DECKER, ürünün kalitesinden emindir ve bu yüzden kanunlarda belirtilen taleplerin üstünde bir garanti verir. Ayrıca bu garanti hiçbir şekilde garanti ile ilgili kanuni haklarınızı ihlal etmez ve haklarınızı hiç bir şekilde kısıtlamaz.

Eğer bir BLACK+DECKER ürünü, satın alma tarihinden itibaren 24 ay içinde hatalı malzeme, işçilik ya da uygunsuzluk nedeniyle bozulursa, müşteriye mümkün olabilecek en az sorunu yaşatarak BLACK+DECKER hatalı kısımları değiştirmeyi, adil bir şekilde aşınmış ve yıpranmış ürünleri tamir etmeyi veya değiştirmeyi garanti eder. Ancak bu belirtilenler şu durumlar dışında geçerlidir:

- Ürün ticari veya profesyonel amaçlarla kullanılmışsa veya kiraya verilmişse;
- Ürün yanlış veya amaç dışı kullanılmışsa;
- Ürün yabancı nesnelere, maddelere veya kaza sırasında zarar görmüşse;
- Yetkili tamir servisleri veya Black + Decker servis ekibinden başkası tarafından tamir edilmeye çalışılmışsa.

Garanti talebinde bulunmak için, satıcıya veya yetkili tamir servisine satın aldığınıza dair ispat sunmalısınız. Fatura ve garanti kartı gerekmektedir. Bu kılavuzda belirtilen listeden size en yakın BLACK+DECKER yetkili tamir servisinin yerini öğrenebilirsiniz. Ya da, alternatif olarak internet'ten BLACK+DECKER yetkili tamir servislerinin listesini ve satış sonrası hizmetlerimizle ilgili tüm bilgiler ve temas bilgilerine aşağıdaki siteden ulaşabilirsiniz. www.2helpU.com

Призначення

Ваш ударний дріль BDHR202 SDS plus виробництва BLACK & DECKER призначений для свердління отворів в бетоні, цеглі, дереві і металі, а також для використання в якості викрутки.

Вказівки з техніки безпеки

Загальні вказівки щодо безпечної роботи з електричним інструментом.



Увага! Уважно прочитайте всі попереджувальні написи та вказівки щодо безпечної роботи. Недотримання

попереджувальних написів і вказівок щодо безпечної роботи може призвести до ураження електричним струмом, пожежі та/або серйозних травм персоналу.

Зберігайте всі попереджувальні написи та вказівки щодо безпечної роботи для використання в майбутньому. Термін «електричний інструмент», що використовується у всіх застережливих написах та вказівках щодо техніки безпеки, представлені нижче, відносяться до електричного інструменту, який працює від мережі (зі шнуром електроживлення) або від акумуляторної батареї (без шнура живлення).

1. Вказівки з безпеки на робочому місці

- a. Робоче місце повинне утримуватися в чистоті та повинне бути обладнане належним освітленням. Безлад або погане освітлення на робочому місці може призвести до нещасного випадку.
- b. Забороняється використання електричного інструменту у вибухонебезпечному середовищі, наприклад, в умовах наявності легкозаймистих рідин, газів або пилу. Іскри, що виникають при роботі електричного інструменту, можуть запалити пил, пари і газу.
- c. Забороняється перебування дітей та сторонніх осіб поблизу працюючого електричного інструменту. Відволікаючі фактори можуть призвести до втрати контролю за роботою інструменту.

2. Електрична безпека

- a. Вилка шнура електричного інструменту повинна відповідати мережевій розетці. Забороняється вносити які-небудь зміни у вилку електричного шнура. Забороняється використання будь-яких штепсельних перехідників при роботі заземленого електричного інструменту. Відсутність змін у вилках електричних шнурів та

відповідність електричних вилок і розеток знижує ризик ураження електричним струмом.

- b. **Не допускайте контакту тіла із заземленими поверхнями таких об'єктів, як труби, радіатори, електроплити та холодильники.** Якщо ваше тіло заземлене, ризик його ураження електричним струмом підвищується.
 - c. Електричні інструменти не повинні піддаватися впливу дощу та знаходитися в умовах підвищеної вологості. При попаданні вологи всередину електричного інструменту підвищується ризик ураження електричним струмом.
 - d. Забороняється використовувати електричний шнур не за призначенням. Ніколи не беріть, не тягніть та не виймайте електричний інструмент за шнур. Електричний шнур не повинен знаходитися поблизу джерел тепла, масла, гострих країв та рухомих деталей. Пошкоджені та закручені електричні шнури підвищують ризик ураження електричним струмом.
 - e. При роботі електричного інструменту на відкритому повітрі використовуйте відповідний з'єднувач. Використання подовжувача, призначеного для роботи на відкритому повітрі, знижує ризик ураження електричним струмом.
 - f. Якщо роботи за допомогою електричного інструменту всередині вологого приміщення повинні бути виконані обов'язково, в такому випадку необхідно використовувати пристрій захисного відключення (ПЗВ) електричної мережі. Використання ПЗВ знижує ризик ураження електричним струмом.
- ### 3. Безпека персоналу
- a. При роботі з електричним інструментом необхідно бути обачним, бачити виконувану роботу та керуватися здоровим глуздом. Забороняється працювати з електричним інструментом у стані втоми та під впливом наркотиків, алкоголю і лікарських препаратів. Ослаблення уваги навіть на мить може призвести до серйозної травми.
 - b. Використовуйте засоби індивідуального захисту. Завжди надягайте засоби очогой захисту. Використовувані у відповідних умовах засоби індивідуального захисту, такі як пілезахисна маска, не ковзаюче захисне взуття, захисна каска або засоби захисту органів слуху завжди знижують ризик травмування.

- c. **Не допускайте ненавмисного вмикання інструменту.** Перед тим, як підключити джерело живлення або акумулятор, піднімаючи або несучи інструмент, перевірте, щоб його вимикач знаходився у вимкненому положенні. Перенесення інструменту пальцем, розташованому на його вимикачі, або увімкненого інструменту підвищує ризик нещасного випадку.
- d. **Перед включенням інструменту завжди знімайте з нього регульовальний та гайковий ключ.** Залишений ключ на деталі інструменту, що обертається, може призвести до травмування.
- e. **Не прикладайте до інструменту надмірне зусилля під час роботи.** Завжди міцно тримайтеся на ногах та зберігайте рівновагу під час роботи. Це дозволяє краще контролювати електричний інструмент в непередбачених ситуаціях.
- f. **Одягайте відповідний одяг.** Забороняється одягати вільний одяг та прикраси. Волосся, одяг та рукавиці повинні знаходитися на відстані від рухомих деталей інструменту. Вільний одяг, прикраси або довге волосся можуть бути захоплені рухомими деталями.
- g. **Якщо встановлені пристрої підключення засобів пилорозчищення та пилосбірники, необхідно перевіряти, щоб вони були підключені та використовувалися належним чином.** Використання засобів пилорозчищення знижує рівень ризику, пов'язаного з наявністю пилу в повітрі.
4. **Використання та догляд за електричним інструментом**
- a. **Не застосовуйте надмірне зусилля до електричного інструменту.** Використовуйте електричний інструмент, відповідний виконуваному завданню. При використанні належного інструменту ви виконаєте роботу краще, з меншим ризиком та зі швидкістю, на яку розрахований ваш інструмент.
- b. **Забороняється використовувати інструмент, якщо його вимикач не вмикається і не вимикається.** Будь-який електричний інструмент, роботою якого не можна керувати за допомогою його вимикача, являє собою небезпеку та підлягає обов'язковому ремонту.
- c. **Перед виконанням регулювання електричного інструменту, заміною його приладдя і постановкою на зберігання необхідно вийняти вилку його електричного шнура з розетки та/або дістати з нього акумулятор.** Така превентивна міра безпеки знижує ризик випадкового ввімкнення інструменту.
- d. **Зберігайте електричний інструмент, який в даний момент не використовується, в недоступному для дітей місці та не дозволяйте працювати з інструментом особам, які не знайомі з ним або з цими вказівками.** Електричний інструмент є небезпечним в руках ненавченої людини.
- e. **Підтримуйте інструмент в робочому стані.** Перевіряйте центровку та з'єднання рухомих деталей, наявність пошкоджених деталей та будь-які фактори, які можуть негативно позначитися на роботі електричного інструменту. У разі виявлення пошкодження електричний інструмент необхідно відремонтувати. Багато нещасних випадків відбувається внаслідок того, що інструмент знаходиться в неналежному стані.
- f. **Ріжучі інструменти повинні бути гостро заточеними і чистими.** Підтримуваний в належному робочому стані ріжучий інструмент з гострими ріжучими крайками менше застряє та легше управляється.
- g. **Використовуйте електричний інструмент, приладдя, вставні різці та ін. відповідно до даних вказівок, враховуючи умови експлуатації та роботу, яка повинна бути виконана.** Використання електричного інструменту з метою, відмінною від передбаченого призначення, може призвести до небезпечної ситуації.
5. **Обслуговування**
- a. **Обслуговувати електричний інструмент повинен тільки кваліфікований ремонтний персонал, і при цьому повинні використовуватися тільки оригінальні запасні деталі.** Завдяки цьому буде підтримуватися безпечний робочий стан електричного інструменту.
- Примітка:** Напряга електричної мережі: Перед підключенням інструмента до електричної мережі треба обов'язково переконавшись, що напруга мережі відповідає значенню, зазначеному в таблиці з паспортними даними інструмента. Якщо напруга мережі перевищує значення напруги, вказане для інструмента, оператор може отримати важкі травми внаслідок ураження електричним струмом, а сам інструмент може вийти з ладу. І навпаки, якщо напруга мережі менше напруги, необхідного для роботи інструмента, двигун інструмента може вийти з ладу. Таким чином, якщо перевірити напругу мережі не можна, включати інструмент в таку мережу забороняється.

Вказівки щодо безпечної роботи ударного дреля

- **Застосовуйте засоби захисту органів слуху.** Вплив шуму може призвести до порушення слуху.
- **Використовуйте допоміжні рукоятки, які поставляються разом з інструментом.** Втрата управління інструментом може призвести до травмивання.
- **Під час виконання робіт, коли ріжуча деталь електричного інструмента може стикатися з прихованою електропроводкою, інструмент необхідно тримати за діелектричну поверхню.** При контакті ріжучої деталі з проводом, що під напругою, під напругу можуть потрапити металеві деталі електричного інструмента, внаслідок чого виникає небезпека ураження оператора електричним струмом.
- Ніколи не використовуйте ударне приладдя в режимі обертання. Приладдя буде застрягати в матеріалі і обертати дріль.
- Для фіксації положення оброблюваної деталі на стійкій основі використовуйте затискачі або інший зручний і практичний спосіб. Якщо тримати деталь руками або притискати її до тіла, вона буде перебувати в незакріпленому положенні, що може призвести до втрати контролю за роботою інструменту.
- Перед виконанням свердління стін, підлог і стель перевіряйте розташування електропроводки і труб.
- Не торкайтеся кінчика свердла після свердління, оскільки він гарячий, і можна отримати опік.
- Призначення інструмента описане в цій інструкції з експлуатації. Використання будь-якого приладдя і додаткових пристосувань разом з цим інструментом або використання інструменту в цілях, які не рекомендовані в цій інструкції, може призвести до виникнення ризику травмування персоналу та пошкодження майна.

Безпека інших осіб

- Цей інструмент не призначений для використання особами (включаючи дітей) з обмеженими фізичними, сенсорними або розумовими здібностями або особами, у яких відсутній необхідний досвід і знання, крім випадків, коли вони знаходяться під наглядом і отримали належні інструкції по роботі з інструментом від особи, відповідальної за їхню безпеку.

- Щоб діти не гралися з інструментом, вони повинні знаходитися під наглядом.

Інші ризики

Додатковий залишковий ризик може виникнути у випадках використання інструмента, які можуть бути не враховані в наданих вказівках щодо безпечної роботи. Такий ризик може виникати при неправильному, тривалому використанні і т.п. Навіть при дотриманні всіх відповідних правил техніки безпеки і використанні захисних пристроїв деякий залишковий ризик все ж лишається.

Це наступні види небезпеки:

- Травми, отримані при торканні обертових і рухомих деталей.
- Травми, отримані при заміні деталей, ножів та приладдя.
- Травми, отримані внаслідок тривалого використання інструменту. При тривалому використанні інструменту необхідно робити регулярні перерви в роботі.
- Погіршення слуху.
- Шкода для здоров'я, викликана вдиханням пилу, яка з'являється під час роботи інструменту (наприклад, при роботі з деревом, особливо з дубом, буком або ДВП).

Наклейки на інструменті

До поверхні інструмента прикріплені наступні графічні зображення:



Увага! Для зниження ризику травмування оператор повинен прочитати цю інструкцію з експлуатації.

Розташування штрих-коду з датою (Рис. С)

Штрих-код з датою (12), що також включає рік виготовлення, надрукований на корпусі.

Приклад:

2015 XX JN
Рік виготовлення

Електрична безпека



Цей інструмент має подвійну ізоляцію, тож дрід заземлення йому не потрібен. Переконайтеся, що мережева напруга відповідає значенню, зазначеному в таблиці з паспортними даними. Відповідає.

- У разі пошкодження кабелю живлення, щоб уникнути виникнення небезпечних ситуацій, його заміну повинен виконати виробник обладнання або уповноважений сервісний центр BLACK+DECKER.

Використання подовжувача

Якщо необхідно використовувати подовжувач, переконайтесь, що його характеристики відповідають споживаній потужності інструмента (дивіться технічні дані). Мінімальний перетин дроту має становити 1,5 кв. мм. Перш ніж змотати на катушку, кабелі необхідно розплутати.

Будь ласка, дивіться таблицю нижче.

Перетин кабелю (мм ²)	Номинальний струм кабелю (А)
0,75	6
1,00	10
1,50	15
2,50	20
4,00	25
Довжина кабелю (м)	
	7,5 15 25 30 45 60

Напруга	Ампера	Номинальний струм кабелю (А)						
115	0 - 2,0	6	6	6	6	6	10	
	2,1 - 3,4	6	6	6	6	15	15	
	3,5 - 5,0	6	6	10	15	20	20	
	5,1 - 7,0	10	10	15	20	20	25	
	7,1 - 12,0	15	15	20	25	25	-	
230	12,1 - 20,0	20	20	25	-	-	-	
	0 - 2,0	6	6	6	6	6	6	
	2,1 - 3,4	6	6	6	6	6	6	
	3,5 - 5,0	6	6	6	6	10	15	
	5,1 - 7,0	10	10	10	15	15		
7,1 - 12,0	15	15	15	15	20	20		
	12,1 - 20,0	20	20	20	20	25	-	

Функції (Рис. Е)

Цей інструмент може володіти всіма або деякими з перерахованих нижче функцій.

1. Перемикач кількості обертів
2. Кнопка фіксації
3. Перемикач режимів
4. Утримувач інструмента
5. Бічна рукоятка
6. Обмежувач глибини
7. Важіль перемикачання прямого / зворотного напрямку обертання

Збірка

Увага! Перед виконанням збірки перевірте, щоб інструмент був вимкнений, а вилка шнура була вийнята з розетки.

Прикріплення бічної рукоятки (Рис. Е)

Увага! При свердлінні отворів в бетоні і цеглі, будь ласка, використовуйте бічну рукоятку для безпечної роботи.

- Повертайте затиск проти годинникової стрілки доти, доки ви не зможете переміщати бічну рукоятку на передній частині інструмента.
- Поверніть бічну рукоятку в необхідне положення.
- Затягніть бічну рукоятку, повертаючи затиск за годинниковою стрілкою. **Увага!** При використанні інструмента пам'ятайте про правильну установку бічних рукояток.

Установка приладдя (Рис. А)

- Очистіть і змастіть хвостовик (15) приладдя. • Вставте стрижень приладдя в утримувач інструмента (4).
- Проштовхніть приладдя вниз і злегка поверніть до його установки в пази.
- Потягніть приладдя для перевірки надійності його фіксації. Для використання ударної функції приладдя має бути здатне переміщуватися в поздовжньому напрямку на кілька сантиметрів при фіксації в тримачі інструмента.
- Для видалення приладдя відтягніть назад муфту (8) і витягніть приладдя.

Робота інструмента

Увага! Під час роботи інструмента не прикладайте надмірних зусиль. Не перевантажуйте його.

Увага! Перед виконанням свердління стін, підлог і стель перевіряйте розташування електропроводки і труб.

Вибір режиму роботи (рис. В)

Інструмент може використовуватися у двох режимах роботи. Виходячи з фактичних вимог до виконуваної роботи, перемикач режиму свердління (3) можна повертати в необхідне положення.

Свердління отворів / викрутка (рис. В, F, G, H)

- Для свердління сталі, дерева і пластмас, а також для закручування і викручування шурупів встановіть перемикач робочого режиму (3) в положення (2). Щоб затиснути стрижень приладдя, необхідно використовувати відповідний затискної патрон дрילה (13) (додатково).
- Вставте затискної патрон дрילה (13) в утримувач інструмента (4) відповідно до вказівок з встановлення приладдя. Поверніть затискної патрон, щоб послабити затискачі в передній частині утримувача інструмента, вставте стрижень приладдя (14) в затискачі і поверніть затискної патрон у зворотному напрямку. Щоб затягнути тримаач, можна також використовувати ключ затискного патрона.
- Для свердління сталі, дерева і пластмаси встановіть важіль перемикачання прямого / зворотного напрямку обертання (7) в положення пряме / зворотне (Рис G). При використанні функції викрутки для закручування шурупів встановіть важіль перемикачання прямого / зворотного напрямку обертання (7) в пряме положення (Рис. G), а для викручування — в зворотне (Рис. H).

Ударне свердління (Рис. В)

- Для ударного свердління цегляної кладки та бетону встановіть перемикач режиму роботи (3) в положення T1.
- Свердло необхідно встановити точно по центру отвору для свердління. Після цього натисніть вимикач для отримання оптимальної дії дрילה. Щоб свердло не відхилялося від заданого отвору, переконайтесь, що воно знаходиться в необхідному положенні.
- Якщо отвір, який висвердлюють, забився крихтою або пилом, не прикладайте до інструмента додаткове зусилля. Призупиніть інструмент і виведіть частину свердла з отвору. При

багаторазовому повторенні засмічення усувається і можна продовжувати нормальне свердління.

Увага! Якщо свердло натрапить на цемент або на сталеву арматуру в цементі, може відбутися небезпечна віддача інструмента. Щоб не відбулася небезпечна віддача інструмента, його треба міцно тримати в урівноваженому і стійкому положенні.

Перевантаження з'єднувального пристрою

Якщо свердло заклинить, або воно за щось зачепиться, приводне зусилля, що передається валу дрילה, буде перервано. Це призведе до дуже сильної віддачі, тому необхідно міцно тримати інструмент двома руками і залишатися в стійкому положенні.

Завдання глибини свердління (Рис. Е)

Завдання глибини свердління є зручною функцією, яка забезпечує однорідність свердління по глибині. Послабте бокову ручку, щоб відрегулювати обмежувач глибини згідно необхідної глибини. Після цього затягніть бічну рукоятку.

- Послабте бокову ручку (5), повертаючи затиск проти годинникової стрілки.
- Встановіть необхідне значення обмежувача глибини (6). Максимальна глибина свердління дорівнює відстані між наконечником свердла дрילה і переднім кінцем обмежувач глибини.
- Затягніть бічну рукоятку, повертаючи затиск за годинниковою стрілкою.

Вмикання та вимикання

Увага! Перш ніж підключити інструмент до мережі, переконайтесь, що перемикач легко переключачється і після натискання повертається у вихідне положення.

- Для увімкнення інструмента натисніть перемикач кількості обертів (1). Швидкість обертання інструмента залежить від того, якою мірою ви натиснули (втопили) пусковий вимикач.
- В якості загального правила, при використанні свердла великого діаметру треба працювати на невеликих оборотах, а при використанні свердла меншого діаметру треба підвищувати обороти.
- При тривалій роботі натисніть кнопку фіксації (2) та відпустіть перемикач кількості обертів.
- Для вимкнення інструмента відпустіть перемикач кількості обертів. Для вимкнення інструмента після тривалої роботи ще раз натисніть та відпустіть перемикач кількості обертів.

Приладдя

Ефективність роботи вашого інструменту залежить від використовуваного приладдя. Приладдя BLACK+DECKER розроблене відповідно до високих стандартів якості, і його конструкція покращує робочі характеристики вашого інструменту. При використанні цього приладдя ви отримуєте від вашого інструменту максимальну користь.

Технічне обслуговування

Конструкція вашого інструмента BLACK+DECKER розрахована на роботу протягом тривалого періоду часу при мінімальному технічному обслуговуванні. Для забезпечення задовільної роботи інструмента він повинен проходити регулярне технічне обслуговування та очищення.

Увага! Перед виконанням будь-яких робіт з обслуговування інструмента з дротовим/бездротовим живленням:

- Вимкніть і витягніть приладдя / інструмент.
- Або вимкніть пристрій/інструмент і дістаньте з нього акумуляторну батарею, якщо пристрій/інструмент обладнаний окремим батарейним відсіком.
- Або дайте акумуляторній батареї розрядитися до кінця і потім вимкніть інструмент.
- Перед проведенням очищення зарядного пристрою вийміть його штепсельну вилку з розетки. Крім періодичної очистки, ваш зарядний пристрій не вимагає інших операцій технічного обслуговування.
- Регулярно очищуйте вентиляційні прорізи в інструменті, приладді і зарядному пристрої за допомогою м'якої щітки або сухої тканини.
- Регулярно очищуйте корпус двигуна за допомогою вологої тканини. Не використовуйте для очищення абразивні матеріали та чистячі засоби на основі неводних розчинників.
- Регулярно розкривайте і вибивайте затиснений патрон для видалення пилу з його внутрішньої частини.

Заміна вугільної щітки (Рис. D)



Масило

- Регулярно перевіряйте і міняйте графітові щітки. Щойно щітка повністю зноситься і зітреться внаслідок тривалого використання, її необхідно замінити. Підтримуйте чистоту вугільних щіток, щоб вони могли вільно ковзати всередині щіткотримача. Обидві вугільні щітки необхідно міняти одночасно.



Очищення



Увага! Видаліть продувкою сухим повітрям пил і бруд з головного корпусу, коли побачите, що вони осіли на випускних повітряних отворах. При виконанні надягайте захисні окуляри і пилозахисну маску затвердженого зразка.



Увага! Забороняється використовувати розчинники та агресивні хімічні речовини для очищення неметалевих частин інструмента. Зазначені хімічні речовини можуть погіршити характеристики міцності матеріалів цих частин. Для очищення інструмента користуйтеся тільки м'яким мильним розчином і злегка вологою тканиною. Ні в якому разі не допускайте попадання рідини всередину інструменту і не занурюйте інструмент якою-небудь частиною в рідину.

Інформація з обслуговування

BLACK+DECKER пропонує широку мережу авторизованих сервісних центрів по всій Азії, якими володіє компанія. Всі сервісні центри BLACK+DECKER укомплектовані навченим персоналом, який виконує ефективно і надійно сервісне обслуговування власників продукції.

Якщо вам необхідний технічна порада, ремонт або оригінальні запасні деталі, зв'яжіться з найближчим представником BLACK + DECKER.

ПРИМІТКА

- Одним із принципів політики BLACK+DECKER є постійне вдосконалення наших продуктів, і тому ми залишаємо за собою право змінювати характеристики наших продуктів без попереднього сповіщення.
- Стандартне обладнання та приладдя в різних країнах можуть відрізнятися.
- Технічні характеристики виробів в різних країнах можуть відрізнятися.
- Повна лінійка продуктів може бути в наявності не у всіх країнах. З питання наявності наших продуктів зверніться до дилерів BLACK+DECKER.

Технічні дані

BDHR202		
Споживана потужність	Вт	620
Напруга	В	220-240
Частота	Гц	50/60
Швидкість холостого ходу	/хв	0-1250
Частота ударів	ударів / хв	0-3900
Енергія удару	J	1,34
Режими		2
Найбільший діаметр свердління		
Бетон	мм	20
Сталь	мм	13
Дерево	мм	25
Вага	кг	2,6

Захист навколишнього середовища



Роздільний збір відходів. Забороняється утилізувати цей продукт разом зі звичайними побутовими відходами.

Якщо ви вирішите, що ваш виріб BLACK+DECKER необхідно замінити, або якщо ви не будете його більше використовувати, не утилізуйте його разом з побутовими відходами. Цей продукт підлягає роздільному збору відходів.



Роздільний збір використаних продуктів та пакувальних матеріалів дозволяє здійснювати їх вторинну переробку з подальшим повторним використанням. Повторне використання матеріалів, що пройшли вторинну переробку, знижує забруднення навколишнього середовища та зменшує потребу в сировинних матеріалах.

Нормативні акти місцевих органів влади можуть передбачати збір використаних електричних виробів окремо від побутових відходів, в муніципальних пунктах збору відходів або в магазині при покупці нового обладнання.

BLACK+DECKER представляє можливість для збору та повторної переробки продуктів BLACK+DECKER після закінчення терміну їх служби. Щоб скористатися перевагою цього сервісу, будь ласка, надішліть ваш продукт будь-якому уповноваженому представнику з ремонту, який збирає такі вироби від нашого імені.

Ви можете дізнатися адресу вашого найближчого уповноваженого представника з ремонту, зателефонувавши в регіональне представництво BLACK+DECKER, вказане в цій інструкції. Крім того, список уповноважених представників з ремонту BLACK+DECKER, детальну інформацію про обслуговування після продажу та контактні дані можна знайти на сайті www.2helpU.com.

Гарантійні зобов'язання

Black + Decker впевнена в якості своїх виробів та надає виняткову гарантію. Дана заява про гарантії доповнює і ні в якій мірі не порушує ваші законні права.

Якщо продукт виробництва Black + Decker прийде в непридатність внаслідок неякісних матеріалів, неякісного виготовлення або невідповідності вимогам, BLACK+DECKER гарантує в межах 24-х місяців з дати продажу виконувати заміну дефектних деталей, виконувати ремонт виробів, які зазнали природного зносу, або виконувати заміну таких виробів, для зведення до мінімуму незручностей для покупця, за винятком перерахованих нижче випадків:

- Даний продукт був використаний для продажу, на промислових роботах або здавався на прокат.
- Даний продукт використовувався неправильно або без належного догляду.
- Даному продукту було завдано збитків сторонніми предметами, речовинами або внаслідок надзвичайної події.
- Була здійснена спроба ремонту продукту особами, які не є уповноваженими представниками з ремонту або ремонтно-обслуговуючим персоналом Black + Decker.

Щоб заявити претензію по гарантії, необхідно буде надати підтвердження покупки продавцю або уповноваженому представнику з ремонту. Ви можете дізнатися адресу вашого найближчого уповноваженого представника з ремонту, зателефонувавши в регіональне представництво BLACK+DECKER, вказане в цій інструкції. Крім того, список уповноважених представників з ремонту BLACK+DECKER, детальну інформацію про обслуговування після продажу та контактні дані можна знайти на сайті www.2helpU.com.



Гарантійні умови

Шановний покупець!

1. Вітаємо Вас з покупкою високоякісного виробу BLACK + DECKER і висловлюємо вдячність за Ваш вибір.
2. При покупці виробу вимагайте перевірки його комплектності і справності у Вашій присутності, інструкцію з експлуатації та заповнений гарантійний талон українською мовою
В гарантійному талоні повинні бути внесені: модель, дата продажу, серійний номер, дата виробництва інструменту, назва, печатка і підпис торгової організації. За відсутності у Вас правильно заповненого гарантійного талону, а також при невідповідності зазначених у ньому даних ми будемо змушені відхилити Ваші претензії щодо якості даного виробу.
3. Щоб уникнути непорозумінь, переконливо просимо Вас перед початком роботи з виробом уважно ознайомитися з інструкцією з його експлуатації. Правовою основою справжніх гарантійних умов є чинне Законодавство. Гарантійний термін на даний виріб складає 24 місяці і обчислюється з дня продажу. У разі усунення недоліків виробу, гарантійний строк продовжується на період його перебування в ремонті. Термін служби виробу становить 5 років з дня продажу.
4. У разі виникнення будь-яких проблем у процесі експлуатації виробу рекомендуємо Вам звертатися тільки в уповноважені сервісні центри BLACK + DECKER, адреси та телефони яких Ви зможете знайти в гарантійному талоні, на сайті www.2helpU.com або дізнатися в магазині. Наші сервісні станції - це не тільки кваліфікований ремонт, але і широкий асортимент запчастин і аксесуарів.
5. Виробник рекомендує проводити періодичну перевірку і технічне обслуговування виробу в уповноважених сервісних центрах.
6. Наші гарантійні зобов'язання поширюються тільки на несправності, виявлені протягом гарантійного терміну і викликані дефектами виробництва та \ або матеріалів.
7. Гарантійні умови не поширюються на несправності виробу, що виникли в результаті:
- 7.1 Недотримання користувачем приписів інструкції з експлуатації виробу, застосування виробу не за призначенням, неправильного зберігання, використання приладдя, витратних матеріалів і запчастин, що не передбачені виробником.

- 7.2 Механічного пошкодження (відколи, тріщини і руйнування) внутрішніх і зовнішніх деталей виробу, основних і допоміжних рукояток, мережевого кабелю, що викликані зовнішнім ударним або будь-яким іншим впливом
- 7.3 Потрапляння у вентиляційні отвори та проникнення всередину виробу сторонніх предметів, матеріалів або речовин, що не є відходами, які супроводжують застосування виробу за призначенням, такими як: стружка, тирса, пісок, та ін.
- 7.4 Впливу на виріб несприятливих атмосферних і інших зовнішніх факторів, таких як дощ, сніг, підвищена вологість, нагрівання, агресивні середовища, невідповідність параметрів електромережі, що зазначені на інструменті.
- 7.5 Стихійного лиха. Пошкодження або втрати виробу, що пов'язані з непередбаченими лихами, стихійними явищами, у тому числі внаслідок дії непереборної сили (пожежа, блискавка, потоп і інші природні явища), а також внаслідок перепадів напруги в електромережі та іншими причинами, які знаходяться поза контролем виробника.
8. Гарантійні умови не поширюються:
- 8.1. На інструменти, що піддавалися розкриттю, ремонту або модифікації поза уповноваженим сервісним центром.
- 8.2. На деталі, вузли та матеріали, що мають сліди природного зносу, такі як: приводні ремені і колеса, вугільні шітки, мастило, підшипники, зубчасті зчеплення редукторів, гумові ущільнення, сальники, направляючі ролики, муфти, вимикачі, бойки, штовхачі, стволи тощо.
- 8.3. На змінні частини: патрони, цанги, затискні гайки і фланці, фільтри, акумуляторні батареї, ножі, шліфувальні підшошви, ланцюги, зірочки, пильні шини, захисні кожухи, пилки, абразиви, пильні і абразивні диски, фрези, свердла, бури тощо
- 8.4. На несправності, що виникли в результаті перевантаження інструменту (як механічного, так і електричного), що спричинили вихід з ладу одночасно двох і більше деталей і вузлів, таких як: ротора і статора, обох обмоток статора, веденої і ведучої шестерень редуктора або інших вузлів і деталей. До безумовних ознак перевантаження виробу відносяться, крім інших: поява кольорів мінливості, деформація або оплавлення деталей і вузлів виробу, потемніння або обуглювання ізоляції проводів електродвигуна під впливом високої температури.



Виробник:
"Stanley BLACK+DECKER Deutschland GmbH" Black-&-Decker Str.40, D-65510 Idstein, Німеччина

الضمان

تثق بلاك أند ديكر بجودة منتجاتها وتقدم ضماناً مميزاً. ويكون بيان الضمان هذا بالإضافة ولا يخل بأي حال من الأحوال بالحقوق القانونية.

إذا أصبح منتج بلاك أند ديكر معيباً بسبب عيوب المواد والصناعة وعدم المطابقة، تضمن بلاك أند ديكر في غضون ٢٤ شهراً من تاريخ الشراء استبدال الأجزاء المعيبة وإصلاح المنتجات مع مراعاة البلي بالاستخدام العادي أو استبدال هذه المنتجات للتأكد من رضا العملاء ما لم:

- تم استخدام المنتج لأغراض تجارية أو مهنية أو للتأجير.
- إهمال أو إساءة استخدام المنتج.
- تعرض المنتج لتلف بسبب مواد أو أغراض غريبة أو الحوادث.
- محاولة إجراء عمليات الإصلاح من قبل الأشخاص الآخرين بخلاف وكلاء الإصلاح المصرح بهم أو فريق الخدمة التابع لبلاك أند ديكر.

للمطالبة بالضمان، يجب تقديم إثبات الشراء للبائع أو وكيل البيع المعتمد. ويمكنك معرفة مكان أقرب وكيل إصلاح معتمد بمراجعة مكتب بلاك أند ديكر المحلي في العنوان المشار إليه في الدليل. كما تتوفر قائمة بوكلاء الإصلاح المعتمدين لدى بلاك أند ديكر وبيانات خدمات ما بعد البيع والاتصال على الموقع الإلكتروني: www.2helpU.com.

حماية البيئة

تجميع منفصل. يجب عدم إلقاء هذا المنتج مع
المخلفات المنزلية.



إذا تبين لك في أحد الأيام بأنه يجب تبديل جهاز بلاك أند ديكر
الخاص بك أو لم تعد بحاجة لاستخدامه. لا تتخلص منه مع
المخلفات المنزلية. وقم بتوفير هذا المنتج للتجميع المنفصل.

يمكن التجميع المنفصل للمنتجات والعبوات
المستخدمة من إعادة تدوير المواد واستخدامها مرة
أخرى، إذ يساعد إعادة استخدام المواد المعاد تدويرها على منع
التلوث البيئي وخفض الطلب على المواد الخام



قد تنص التشريعات المحلية على تجميع منفصل للمنتجات
الكهربائية عن المخلفات المنزلية في مواقع مخلفات البلدية أو
تاجر التجزئة عند شراء منتج جديد.

توفر بلاك أند ديكر منشأة لتجميع وإعادة تدوير منتجات بلاك
أند ديكر عند وصول تلك المنتجات لنهاية عمرها النافع.
وللاستفادة من هذه الخدمة، يرجى إعادة المنتج إلى أي وكيل
إصلاح معتمد الذي سيقوم بتجميع المنتجات نيابة عنا.

يمكنك معرفة مكان أقرب وكيل إصلاح معتمد بمراجعة مكتب
بلاك أند ديكر المحلي في العنوان المشار إليه في الدليل. كما
تتوفر قائمة بوكلاء الإصلاح المعتمدين لدى بلاك أند ديكر
وبيانات خدمات ما بعد البيع والاتصال على الموقع الإلكتروني:
www.2helpU.com

- مواصفات المنتج يمكن أن تتباين من بلد لآخر.
- يمكن ألا يكون مدى النطاق الكامل للمنتج متوفرًا في كل البلدان.
اتصل بوكيل BLACK+DECKER المحلي للتحقق من نطاق
التوفر.

البيانات الفنية

BDHR202	
دخول الطاقة	وات
الجهد الكهربائي	فولت
التردد	هرتز
السرعة بدون أحمال	لفة في الدقيقة
تقييم الأثر	أفضل الوسائل العملية (BPM)
طاقة الأثر	J
الأوضاع	2
سعة النقب القصوى	
الخرسانة	ملم
صلب	ملم
خشب	ملم
الوزن	كيلو غرام

التشغيل وإيقاف التشغيل

تحذيراً قبل التوصيل بمصدر الطاقة، تأكد أن الزر الكهربائي يمكن تحريكه بطلاقة وأيضاً يمكن أن يعيده إلى موقعه الأصلي فور تحريره.

- لتشغيل الأداة اضغط على مفتاح السرعة المتغيرة (١). سرعة الأداة تعتمد على فترة الضغط على الزر.
- كقاعدة عامة استخدم السرعات المنخفضة للقمم ذات الأقطار الكبيرة والسرعات العالية للقمم ذات الأقطار الأصغر.
- للتشغيل المستمر، اضغط على زر تثبيت التشغيل (٢) ثم حرر مفتاح السرعة المتغيرة.
- لغرض إطفاء الأداة حرر مفتاح السرعة المتغيرة. لإيقاف تشغيل الأداة من وضع التشغيل المستمر، اضغط على مفتاح السرعة المتغيرة مرة أخرى ثم اعتقه.

الملحقات

تعتمد كفاءة أداء هذه الأداة على الكماليات المستخدمة. لقد تم تصميم ملحقات BLACK+DECKER لتفي بمواصفات الجودة الفائقة، ولتحسين كفاءة أداة هذه الأداة. ويمكن الحصول على أفضل النتائج من خلال استخدام هذه الملحقات.

الصيانة

تم تصميم أداة BLACK+DECKER لكي تعمر لفترة طويلة بأقل قدر من الحاجة للصيانة. لضمان الحصول على تشغيل مرضٍ يجب الحفاظ على الأداة وتنظيفها بانتظام

تحذيراً عليك بما يلي قبل إجراء أي صيانة على أدوات الطاقة السلكية/ اللاسلكية:

- أوقف التشغيل وافصل الجهاز/ الأداة عن الكهرباء.
- أو أوقف التشغيل وأزل البطاريات من الجهاز/الأداة إذا كان يحتوي على علبه بطاريات منفصلة.
- أو استخدم الجهاز حتى تفرغ البطارية تماماً إن كانت مدمجة، ثم أوقف التشغيل.
- افصل الشاحن قبل تنظيفه. شاحنك لا يتطلب أية صيانة سوى التنظيف الدوري المستمر.
- قم بتنظيف منافذ التهوية بانتظام في أدواتك باستخدام فرشاة ناعمة أو قطعة قماش جافة.
- نظف علبة المحرك بانتظام بقطعة قماش مبللة. لا تستخدم المنظفات الكاشطة أو المذيبة.
- احرص على فتح الظرف بانتظام وانفضه جيداً لتنظيفه من الغبار

العالق به من الداخل.

استبدل فرشاة الكربون (كما في الشكل D)



- استبدل فرشاة الكربون وتفقدتها على نحو منتظم. عندما تبلى الفرشاة تماماً من جراء البلي والإهلاك العادي، يجب أن يتم استبدالها. يجب الحفاظ على فرشاة الكربون نظيفة وأن تظل تتحرك بحرية داخل الحامل. يجب أن يتم استبدال كلا فرشيتي الكربون في نفس الوقت.
- انزع المسامير المثبتة (٩) على فرشاة الكربون لإزالة فرشاة الكربون (١٠) وحامل الفرشاة.
- انزع باي الملف الداعم لفرشاة الكربون (١١) في حامل الفرشاة، وضع فرشاة الكربون الجديدة التي يجب أن تلبى المواصفات.
- ثبت حامل الفرشاة مرة أخرى وأعد باي الملف الداعم إلى موقعه الأصلي.

التنظيف



تحذيراً: قم بنفخ الأوساخ والأتربة من العلبة الرئيسية عن طريق استخدام الهواء الجاف كلما ترى القرب قد تجمع في فتحات التهوية وحولها. عند اتخاذ هذا الإجراء ارتدِ واقٍ للعين مع قناع للوقاية من التراب معتمدين ومناسبين.



تحذيراً: يُحظر استخدام المذيبات أو المواد الكيماوية لتنظيف الأجزاء غير المعدنية في الأداة. هذه المواد الكيماوية يمكن أن تضعف من حامة الأجزاء. لا تستخدم إلا الصابون الخفيف وقطعة قماش مبللة لتنظيف الأداة. لا تترك أية سوائل تتسرب إلى داخل الأداة، لا تغمر أي من أجزاء الأداة في السائل.



معلومات الصيانة

شركة BLACK+DECKER توفر شبكة كاملة من مراكز الصيانة المملوكة والمعتمدة منتشرة في جميع أنحاء آسيا. كل مراكز صيانة BLACK+DECKER يعمل بها فريق عمل مدرب على تقديم منتجات خدمات موقوفة وفعّالة للعملاء.

عندما تحتاج إلى مشورة فنية أو إصلاح أو استبدال قطع غيار بقطع غير المصنع الأصلية فاتصل بأقرب موقع للمنتجات BLACK+DECKER

ملاحظة:

- سياسة شركة BLACK+DECKER تعتمد على التحسين المستمر لمنتجاتنا، ومن ثم فإننا نحتفظ بحق إجراء أي تعديلات على المنتجات بغرض تحسين مواصفاتها بدون إشعار مسبق.
- التجهيزات والملحقات المعيارية يمكن أن تتباين من بلد لآخر.

التجميع

تحذير! قبل التجميع تحقق من أن الجهاز مطفاً ومفصول.

ربط المقبض الجانبي (الشكل E)

- تحذير! عند حفر الثقوب في الخرسانة أو الطوب، يرجى استخدام المقبض الجانبي حفاظاً على سلامتك.
- اعكس اتجاه القبضة حتى تتمكن من أن تزلق المقبض الجانبي على مقدمة الأداة.
- أدر المقبض الجانبي على الموضع المطلوب.

- أحكم ربط المقبض الجانبي عن طريق تدوير القبضة في اتجاه عقارب الساعة. تحذير! عند استخدام الأداة تذكر تركيب المقابض الجانبية بشكل صحيح.

تركيب ملحق (كما في الشكل A)

- قم بتنظيف وتشحيم جزء الساق (رقم ١٥) في الملحق. • أدرج شريط الملحق في مشبك الأداة (٤).
- ادفع الملحق لأسفل وأدره قليلاً حتى يتوافق مع الثقوب.
- اسحب الملحق للتحقق من تثبيته بشكل صحيح. فعملية الدق والثقب تتطلب السماح للملحِق بالتحرك محورياً لعدة سنتيمترات عند إحكامه في مشبك الأداة.
- لإزالة الملحق اسحب الكم (٨) للخلف واسحب الملحق من مشبك الأداة.

الاستخدام

تحذير! يرجى تشغيل الأداة بالحمل الطبيعي. لا تفرط في التحميل عليها.

تحذير! قبل الحفر في الجدران أو الأرضيات أو الأسقف تحقق من مكان الأسلاك والمواسير.

تحديد وضع التشغيل (الشكل B)

فالأداة يمكن تشغيلها على وضعي تشغيل. بناءً على متطلبات العمل الفعلية، يمكن تدوير محدد وضع الحفر (رقم ٣) في الموضع المطلوب.

مفك/ حفر الحفر (الأشكال B, F, G, H)

لثقب الفولاذ والخشب والبلاستيك، أو إحكام ربط المسامير وفكها اضبط محدد وضع التشغيل (٣) على الوضع (2). وفي نفس الوقت من الضروري استخدام ساق مناسب للحفر (رقم ١٣) "ملحق اختياري" لكبح عصا المرفق.

أدخل ساق الحفر (١٣) في ساق الأداة (٤) وفقاً لتعليمات تركيب الساعة.

المرفقات. أدر ساق الحفر لترتخي المشابك في الجهة الأمامية من مشبك الحفر، وادخل شريط الإكسسورات (رقم ١٤) في المشابك وأدر الساق في الاتجاه المعاكس. وبإمكانك أيضاً أن تستخدم مفتاح ساق الحفر لإحكام تثبيت المشبك.

- لثقب الفولاذ والخشب والبلاستيك: اضبط ذراع التحرك (رقم ٧) للأمام/ الخلف على وضع التحرك للأمام/ الخلف (الشكل G). وعند استخدامه كمفك: أحكم ربط المسامير ضابطاً ذراع التحرك (رقم ٧) إلى الأمام/ الخلف على الوضع الأمامي (كما في الشكل G) وفك المسامير ضابطاً ذراع التحرك إلى الأمام/ الخلف على الوضع العكسي.

مطرقة الحفر (الشكل B)

- للحفر بالطرقة في الطوب والخرسانة اضبط محدد وضع التشغيل (رقم ٣) على الوضع (T2).
- لا بد من وضع لقمة الحفر بدقة على موضع ثقب الحفرة. وبعد ذلك اسحب المفتاح من أجل تحقيق النتائج المثلى. تأكد من أن الأداة في الوضع الصحيح لمنع الثقب من الانحراف عن الحفرة.

- عند انسداد حفرة الثقب ببركاس أو مسحوق ناعم يلزم ألا تمارس أي ضغط أكثر. يجب وضع الأداة في حالة التشغيل الحرقيل لإزالة لقمة الحفر من الحفرة. عند تكرار الانسداد عدة مرات، يمكن استئناف الحفر العادي بعد تطهير انسداد الحفرة.

تحذير! عندما تصطدم لقمة المثقاب بإسمنت أو حديد تسليح في الإسمنت فقد ترتد الأداة على نحو خطير. يرجى إمساك الأداة بإحكام في موضع متوازن ومستقر في جميع الأوقات لمنع المثقاب من الارتداد على نحو خطير.

جهاز مقارنة التحميل الزائد.

في حالة انزلاق لقمة الثقب أو تعلقها فإن القوة الدافعة المتحولة لعمود المثقاب ستنتقل. وهذا من شأنه إحداث ارتداد قوي، لذلك فمن الضروري إمساك الأداة بإحكام بكتلتا اليدين لتظل في وضع مستقر.

ضبط عمق الحفر (كما في الشكل E)

نقطة العمق هي ميزة ملائمة لضمان التوحيد في عمق الحفر. قم بفك المقبض الجانبي لضبط قياس العمق وفقاً للعمق المطلوب. ثم أحكم تثبيت المقبض الجانبي.

- أرخ المقبض الجانبي (٥) وتدوير القبضة عكس اتجاه عقارب الساعة.
- اضبط عمق التوقف (٦) على الموضع المطلوب. العمق الأقصى للحفر يساوي المسافة بين طرف لقمة المثقاب والطرف الأمامي لنقطة العمق.

- أحكم ربط المقبض الجانبي عن طريق تدوير القبضة في اتجاه عقارب الساعة.

وهذه هي:

- إصابات تنشأ جراء ملامسة أية أجزاء دوارة/متحركة.
- إصابات تنشأ عند تغيير أية أجزاء أو شفرات أو كماليات.
- إصابات تنشأ جراء طول فترة استعمال الأداة. عند استعمال الأداة لفترات ممتدة فتحقق من إيقافها بانتظام للاستراحة.
- تضرر السمع.
- المخاطر الصحية الناتجة عن استنشاق الغبار المتكون عند استخدام الأداة الخاصة بك (على سبيل المثال: العمل في قطع خشبية، ولا سيما البلوط والزان وقطاعات MDF)

الملصقات الموجودة على الأداة

الرموز التالية موضحة على الأداة:

- تحذير! لغرض تقليل مخاطر الإصابات فيجب على المستخدم قراءة دليل التعليمات.



موضع باركود التسجيل (الشكل C)

كود التاريخ (١٢) الذي يتضمن بيان سنة الصنع، مطبوع في العبوة.

مثال:

XX JN ٢٠١٥

سنة الصنع

السلامة من مخاطر الكهرباء

هذه الأداة معزولة عزلاً مزدوجاً؛ وبالتالي لا حاجة إلى توصيل سلك أرضي. تحقق دائماً من أن مصدر الكهرباء مماثل للفولت المطلوب المبين على لوحة التصنيف. يتوافق.



- في حالة تلف سلك توصيل الكهرباء، يجب استبداله من قبل جهة التصنيع أو أي مركز خدمة معتمد من **Black & Decker** لتجنب المخاطر.

استخدام كابلات امتداد

إذا كان من الضروري استخدام كابل تمديد يرجى استخدام كابل تمديد معتمد ومتوافق يناسب مواصفات مدخلات الكهرباء للأداة (يرجى الرجوع للبيانات الفنية). يُقدر الحد الأدنى لمساحة المقطع العرضي لسلك التوصيل بـ ١,٥ مللي متر مربع، ويجب أن يتم فك الكابلات قبل أن تلف.

يرجى الرجوع للجدول التالي.

تيار الكابل المقدر (بالأمبير)	مساحة كابل المقطع العرضي (مم ²)
٠,٧٥	٦
١,٠٠	١٠
١,٥٠	١٥
٢,٥٠	٢٠
٤,٠٠	٢٥
طول الكابل (م)	
٦٠	٤٥
٣٠	٢٥
١٥	٧,٥

الجهد الكهربائي	مبير	الكابلات المقدر (بالأمبير)
٢٤٠-٢٢٠	٢,٠-٠	١٠ ٦ ٦ ٦ ٦ ٦
٢٤٠-٢٢٠	٣,٤-٢,١	١٥ ١٥ ٦ ٦ ٦ ٦ ٦ ٦
٢٤٠-٢٢٠	٥,٠-٣,٥	٢٠ ٢٠ ١٥ ١٠ ٦ ٦
٢٤٠-٢٢٠	٧,٠-٥,١	٢٥ ٢٠ ٢٠ ١٥ ١٠ ١٠
٢٤٠-٢٢٠	١٢,٠-٧,١	٣٥ ٢٥ ٢٥ ٢٥ ١٥ ١٥
٢٤٠-٢٢٠	٢٠,٠-١٢,١	٤٥ ٢٥ ٢٥ ٢٥
٢٤٠-٢٢٠	٢٣٠	٦ ٦ ٦ ٦ ٦ ٦
٢٤٠-٢٢٠	٣,٤-٢,١	٦ ٦ ٦ ٦ ٦ ٦
٢٤٠-٢٢٠	٥,٠-٣,٥	١٥ ١٠ ٦ ٦ ٦ ٦ ٦ ٦
٢٤٠-٢٢٠	٧,٠-٥,١	٢٥ ١٥ ١٥ ١٠ ١٠ ١٠ ١٠
٢٤٠-٢٢٠	١٢,٠-٧,١	٣٥ ٢٥ ٢٥ ١٥ ١٥ ١٥ ١٥
٢٤٠-٢٢٠	٢٠,٠-١٢,١	٤٥ ٢٥ ٢٥ ٢٥ ٢٥ ٢٥

الخصائص (الشكل E)

تشتمل هذه الأداة على بعض أو جميع الخصائص التالية.

١. مفتاح السرعة المتغيرة
٢. زر تثبيت التشغيل
٣. محدد الوضع
٤. مشبك الأداة
٥. المقبض الجانبي
٦. مصدر تحديد العمق
٧. مفتاح الدوران للأمام/الخلف

تحذيرات الأمان لاستخدام المطرقة

استخدام الجهاز الكهربائي والعناية به

- أ لا تفرط في تحميل الجهاز. استخدم لتنفيذ أشغالك الجهاز المخصص لتنفيذ العمل بشكل أفضل وأكثر أماناً وفقاً لمعدل الأداء المحدد للاستخدام.
- ب لا تستخدم الجهاز الكهربائي إذا كان مفتاح تشغيله نالفاً، إذ يمثل الجهاز الكهربائي الذي لا يمكن التحكم به بواسطة مفتاح التشغيل خطورة كبيرة ويجب تصليحه.
- ج اسحب القابض من المقبض و/أو انزع البطارية قبل ضبط الجهاز أو استبدال الملحقات أو تخزين الأجهزة الكهربائية. وتمنع احتياطات السلامة الوقائية المذكورة من تشغيل العدة الكهربائية بشكل غير مقصود.
- د احتفظ بالأجهزة الكهربائية غير المستخدمة بعيداً عن متناول الأطفال. ولا تسمح بتشغيلها من قبل الأشخاص الذين لا يجيدون استخدامها أو الذين لم يطلعوا على تلك التعليمات. إذ أن الأجهزة الكهربائية قد تشكل خطورة كبيرة إذا تم تشغيلها من قبل أشخاص غير متدربين عليها.
- ه حافظ على صيانة الأجهزة الكهربائية وافحصها للتأكد من أن الأجزاء الدوارة تعمل بشكل جيد وبأنه لا يتم عرقلة حركتها وللتعرف على وجود أية كسور فيها أو أي حالة أخرى قد تؤثر على تشغيل الأجهزة. فإذا تبين تلفها، يجب إصلاحها قبل الاستخدام. إذ تقع العديد من الحوادث بسبب الصيانة الرديئة للأجهزة الكهربائية.
- و حافظ على إبقاء عُد القطع نظيفة وحادة، إذ نقل احتمالية عرقلة حركة أدوات القطع ذات حواف القطع الحادة والتي يتم صيانتها بالشكل المناسب كما يسهل السيطرة عليها.
- ز استخدم الجهاز الكهربائي والملحقات وعُد الشغل وما إلى ذلك وفقاً لهذه التعليمات، مع الأخذ في الحسبان ظروف وطبيعة العمل المقرر تنفيذه. وقد يؤدي استخدام الجهاز الكهربائي لتنفيذ أعمال لم يخصص لأجلها الجهاز إلى التعرض لحالات خطيرة.
- هـ الخدمة
- أ احرص على أن يقوم فني متخصص بإصلاح أداة الطاقة الكهربائية الخاصة بك فقط باستخدام قطع الغيار المتطابقة. ومن شأن ذلك أن يضمن سلامة صيانة أداة الطاقة الكهربائية.

سلامة الآخرين

- هذا الجهاز غير مصمم ليستخدمه الأشخاص ذوو القدرات الجسدية والذهنية والحسية والعقلية المتدنية والخبرة والمعرفة القليلتين (بما في ذلك الأطفال) إلا في ظل الإشراف عليهم أو إعطائهم التعليمات المتعلقة باستخدام الجهاز من قبل الشخص المسؤول عن سلامتهم.
- يلزم مراقبة الأطفال لضمان عدم عبثهم بالجهاز.

مخاطر أخرى

- عند استخدام الأداة يمكن أن تظهر مخاطر أخرى إضافية قد لا تكون مدرجة في تحذيرات السلامة المذكورة. قد تظهر هذه المخاطر نتيجة لإساءة الاستخدام، أو الاستخدام لفترة طويلة، وما إلى ذلك. حتى مع سريان تعليمات السلامة وتطبيق تجهيزات السلامة فهناك بعض المخاطر الأخرى التي لا يمكن تجنب وقوعها.

ملاحظة: جهد الموصلات الرئيسية: عند توصيل التيار الكهربائي لابد من التحقق ما إذا كان جهد التيار الكهربائي يطابق أداة الطاقة الكهربائية. إذا تجاوز الجهد الكهربائي الجهد المشار إليه على أداة الطاقة الكهربائية قد يتعرض المستخدم لحادث ويصاب بجروح بالغة، وربما تتعطل الأداة. ويحدث العكس إذا كان جهد التيار الكهربائي أقل من الجهد المطلوب للأداة فقد ينتج عن ذلك تعطل المحرك، وبالتالي، إذا تعذر التحقق من الجهد فمن الضروري عدم التوصيل بمصدر الطاقة.

الاستخدام المقصود

الغرض من جهاز "SD BLACK+DECKER BDHR202" المزود بالمطرقة الدوّارة هو حفر الثقوب في الخرسانة والطوب والخشب والفولاذ أو استخدامه كمشغل برامج للمفك.

تعليمات السلامة

تحذيرات عامة متعلقة بسلامة أداة الطاقة الكهربائية



تحذير! احرص على قراءة كل تحذيرات السلامة والتعليمات ذات الصلة. أي قصور في اتباع التحذيرات وتعليمات السلامة الموضحة أدناه يمكن أن تسبب في التعرض لصدمة كهربائية ونشوب حريق و/أو وقوع إصابات بالغة.

احرص على ضرورة الاحتفاظ بكل التحذيرات والتعليمات ذات الصلة للاستخدام المستقبلي كمرجع. المصطلح "أداة الطاقة الكهربائية" الوارد في كل التحذيرات المدرجة أدناه يشير إلى أداة الطاقة الكهربائية المشغلة بكابيل (محزمة ثنائي الخطوط) يوصل بشبكة التيار الأساسية أو بطارية (بدون كابلات).

١ سلامة منطقة العمل

أ يجب أن تكون منطقة العمل نظيفة ومضاءة جيداً. إن تزيد مخاطر التعرض للحوادث في المناطق المظلمة أو غير المنظمة.

ب لا تشغل الأجهزة الكهربائية في الأجواء القابلة للانفجار كما في محيط الغبار أو السوائل أو الغازات القابلة للاشتعال، إذ ينجم عن استخدام الجهاز الكهربائي شظايا قد تتطاير ثم تشعل الغبار أو الأدخنة.

ج يجب إبعاد الأطفال والمارة عن منطقة العمل أثناء تشغيل الجهاز الكهربائي، وانتبه فقد تؤدي عوامل صرف الانتباه إلى فقدان التحكم بتلك الأجهزة.

٢ السلامة الكهربائية

أ يجب أن يتوافق قابس الجهاز الكهربائي مع المقبس. ويحظر تغيير القابس بأي حال من الأحوال أو استخدام أية قابس مهايئ مع الأجهزة الكهربائية التي لها طرف مؤرض (أرضي). ويخفض عدم تغيير القابس والمقابس المتجانسة من خطورة التعرض للصدمة الكهربائية.

ب تجنب ملامسة السطوح المؤرضة كالأنابيب وراديدات التدفئة والمدافئ والثلاجات، إذ تزداد خطورة التعرض للصدمة الكهربائية عندما يكون جسمك ملامساً للأرض.

ج لا تعرض الأجهزة الكهربائية للمطر أو الرطوبة، علماً بأن تسرب المياه إلى داخل الجهاز الكهربائي يزيد خطورة التعرض للصدمة الكهربائية.

د لا تقم بإساءة استخدام السلك، فلا تستخدمه أبداً لحمل الجهاز

الكهربائي أو لجذبه أو لفصل القابس عن المقبس. واحتفظ بالسلك بعيداً عن مصادر الحرارة أو الزيت أو الأطراف الحادة أو الأجزاء المتحركة. ويزيد تشابك الأسلاك أو تلفها من خطورة التعرض للصدمة الكهربائية.

ه لا تستخدم سوى كابلات التمديد المناسبة عند الاستخدام الخارجي للجهاز. إذ أن استخدام كابلات التمديد المناسبة بخفض من مخاطر التعرض للصدمة الكهربائية.

و إذا تعذر تجنب تشغيل الجهاز الكهربائي في الأجواء الرطبة، استخدم مفتاح للوقاية من التيار المتخلف، إذ إن استخدام ذلك المفتاح يقلل من خطر التعرض للصدمة الكهربائية.

٣ السلامة الشخصية

أ كن يقظاً وانتبه لما تفعله، وكن حذراً عند تشغيل الجهاز الكهربائي. ولا تستخدم الجهاز الكهربائي عند شعورك بالتعب أو عندما تكون تحت تأثير المخدرات أو الكحول أو الأدوية. إذ قد يؤدي عدم الانتباه للحظة واحدة عند استخدام الجهاز الكهربائي إلى التعرض لإصابة خطيرة.

ب ارتد دائماً نظارات الوقاية ومعدات الحماية الشخصية مثل قناع الوقاية من الغبار وأحذية الأمان الواقية من الانزلاق والخوذ أو واقية الأذنين، إذ أن ارتداء المعدات المناسبة يقلل من خطر التعرض للإصابات.

ج احذر التشغيل المفاجئ للجهاز الكهربائي وذلك بالتأكد من غلق الجهاز قبل توصيله بالتيار الكهربائي و/أو البطارية، وقبل رفعه أو حمله. يؤدي وضع إصبعك على مفتاح التشغيل أثناء حمل الجهاز الكهربائي أو توصيل الجهاز بالشبكة الكهربائية عندما يكون قيد التشغيل إلى وقوع الحوادث.

د انزع عدة الضبط أو مفتاح الربط قبل تشغيل الجهاز الكهربائي، إذ قد تؤدي العدة أو المفتاح المتواجد في جزء دوار من الجهاز إلى الإصابة بجروح.

ه تجنب أوضاع الجسم غير الطبيعية. ففد بأمان وحافظ على توازنك في جميع الأوقات مما يمكنك من السيطرة على الجهاز بشكل أفضل في المواقف غير المتوقعة.

و ارتد ثياباً مناسبة، ولا ترتد الثياب الفضفاضة أو الحلي. حافظ على إبعاد الشعر والثياب الفضفاضة والقفازات عن الأجزاء المتحركة، إذ قد تتشابك الثياب الفضفاضة أو الحلي أو الشعر الطويل بالأجزاء المتحركة.

ز إذا تم تجهيز الجهاز بملحقات لشطف وتجميع الغبار، تأكد من أنها متصلة بالجهاز وبأنه يتم استخدامها بالشكل السليم، إذ أن استخدام هذه الملحقات قد يخفض من المخاطر الناتجة عن الغبار.

Names & Addresses for BLACK + DECKER Service Concessionaries

ALGERIA: SARL Outillage Corporation, After Sale Service Center-08, Rue Mohamed Boudiaf - Cheraga, Algiers, Algeria, Tel: +213 21 375131, Fax: +213-0-369667. **AZERBAIJAN:** Kontakt - NN LLC, M.Qashqay 43, Baku, Azerbaijan Az1000. Tel: +994 12 4082050, Fax: +994 12 4117090. **BAHRAIN:** Alfouz Services Co. WLL., P.O. Box 26562, Tubli, Manama, Tel: +973-17783562/ 17879987, Fax: +973-17783479. Kewalram & Sons Co. WLL P.O. Box 84, Manama, Kingdom of Bahrain, Tel: +973-17213110/ 17210617/ 17210619, Fax: +973-17213211/ 17210627. **BANGLADESH:** Ultra Corporation, 8, Kushol Centre, Uttara, Dhaka 1230. Tel: +880-2-8922144, Fax: +880-2-8951339. **EGYPT:** Anasia - Egypt for Trading S.A.E., 9, Mostafa Refaat St., Sheraton Heliopolis Bldgs., Cairo, Egypt, P.O.Box 2443 Heliopolis 11361, Tel. : (202) 268 4159, Fax.: (202) 268 4169, www.anasia.com. **ETHIOPIA:** Seif Sherif Trade PLC -Arada Sub City, Kebele 01-02, Global Insurance Bldg., 2nd Flr. Room 43, P.O.Box 2525, Addis Ababa, Ethiopia, Tel: 00-251-11-1563968/ 1563969, Fax: 00-251-11-1558009. **INDIA:** Gryphon Appliances Ltd., D-6/4, Okhla Industrial Area, Phase-I, New Delhi-110020, Tel: +91-11-46731111, Fax: +91-11-46731111. **JORDAN:** Bashiti Hardware, 93 King Abdullah 2nd St., Opp ELBA House, P.O. Box 3005, Tel: +962-6-5349098 ext.11, Fax: +962-6-5330731. **KENYA:** Leading Concepts, P.O. Box: 40877-00100, Nairobi, Kenya. Tel: +254 20 690 5000, Fax: +254 20 690 5111. **KUWAIT:** Al Omar Technical Co., P.O. Box 4062, Safat 13041, Kuwait, Tel: 00965-24848595/ 24840039, Fax: 00965-24845652. The Sultan Centre, P.O. Box 26567-13126 Safat, Kuwait, Tel: 00965-24343155 Etn. 432, Fax: 00965-24319071. **LEBANON:** Aces Service Centre, P.O. Box 90-102, Nahr El Mot, Seaside Highway, Pharaon Building, Beirut. Tel: 00961-1-898989, Fax: 00961-1-245880. **LIBYA:** Homeworld Co., Building No.5, Senidal St., Amr Ibn Elaas Road, Benghazi, Libya. Tel: 00218-61-9094183. Service Center1 - Benghazi: Tel: +218-061-3383994, Fax: +218-092-7640688, Service Center2 - Tripoli: Tel: +218-021-3606430, Fax: +218-092-6514813. **MALTA:** John G Cassar Ltd. 36-Victory Street, Qormi QRM 06, Malta. Tel: +356-21493251, Fax: +356-21483231. **MAURITIUS:** J.M. Goupille & Co. Ltd., Rogers Industrial Park 1, Riche Terre, Mauritius, Tel: +230 206 9450 / +230 207 1700, Fax: +230 206 9474/ +230 248 3188. **MOROCCO:** UATS 26 Rue Ennarjisse, Hay Erraihan, Beausejour - Hay Hassani-Casablanca, Morocco. Tel: +212 522945114, Fax: +212 522942442. **NEPAL:** Universal Electrocom, Tripureshor, Kathmandu, Nepal. Tel:+977-1-4265191. **NIGERIA:** Dana Electronics Ltd. (Lagos) 116/ 120, Apapa Oshodi Express Way, Isolo, Lagos, Nigeria. Tel: +234-17431818/ +234-8037767774/ +234-8057445477. (Abuja) 18, A.E. Ekukinam Street, Off Obsfemi Awolowo Road, Utako, Abuja, Nigeria. Tel: +234-8032276101/ +234-8037767774. (Kano) 9A - Mai Malari Road, Bompai, Kano, Nigeria. Tel: +234-8053294947/ +234-8037767774. **OMAN:** Oman Marketing & Service Co. (Omasco), P.O. Box 2734, Behind Honda Showroom, Wattayah, Oman, Tel: +968-24560232/ 24560255, Fax: +968-24560993. Oman Marketing & Service Co. (Omasco), Al Ohi, Sohar, Oman, Tel: +968-26846379, Fax: +968-26846379. Oman Marketing & Service Co. (Omasco) - Sanaya, Salalah, Oman, Tel: 00968-23212290, Fax: +968-23210936. **PAKISTAN:** Ammar Service & Spares - 60-Bank Arcade, Serai Road, Karachi, Pakistan, Tel: 0092-21-32426905, Fax: 0092-21-32427214. **PHILIPPINES:** 476 J. P. Rizal St., cor Kakarong St. Brgy Olympia, Makati City, Tel: +632 403-5698. **QATAR:** Al Muftah Service Centre - Al Wakrah Road, P.O. Box 875, Doha, Qatar. Tel: 00974-4650880/ 4650110/ 4446868, Fax: 00974-4441415/ 4662599. **SAUDI ARABIA: (Al Khobar)** Al-Suwaiket Catering & Trading Co., P.O.Box 4228, King A.Aziz Street, Al Khobar, Tel: +966-3-8591088, Fax: +966-3-8595648. Fawaz Ebrahim Al Zayani Trading Est. P.O. Box 76026, Al Khobar #31952, Tel: +966-3-8140914, Fax: +966-3-8140824. **(Jeddah)** Banaja Trading Co. Ltd, P.O. Box 366, Jeddah-21411, Tel: +966-2-6511111, Fax: +966-2-6503668. **(Riyadh)** Banaja Trading Co. Ltd, P.O. Box 566, Riyadh-11421, Tel: 00966-1-4124444, Fax: +966-1-4033378. **SOUTH AFRICA:** Trevco Power Tool Service 14 Steenbok Street, Koedoespoort, 0186, Pretoria, South Africa, Tel: +27-86-1873826, Fax: +27-86-5001771. **SRI LANKA:** Delmege Construction Products (Pvt) Ltd., No 101 Vinayalankara Mawatha, Colombo-10, Sri Lanka, Tel: +94-11-2693361-7, Service hotline: +94-77-2211111. **TUNISIA:** Société Tunisienne De Manutention - Rue de la Physique, Nouvelle Zone Industrielle de Ben Arous-2013 Tunisia, Tel: +216-71-386102/ 380620, Fax: +216-71380412 ext 216. **UGANDA:** Anisuma Investment and Services Ltd., J R complex, Ware House No.5, Plot No 101, 3rd Street Industrial Area, Jinja Road, Kampala, Tel: +256-414237106. **UAE: (Abu Dhabi)** Light House Electrical, P.O. Box 120, Abu Dhabi, Tel: +971-2-6726131, Fax: +971-2-6720667. **(Al Ain)** Zillion Equipment and Spare Parts Trading LLC, P.O. Box 19740, Opp. Bin Sadal/Trimix Redymix Sanaiya, Al Ain. Tel: +971-3-7216690, Fax:+971-3-7216103 **(Dubai)** Black & Decker (Overseas) GmbH, P.O. Box 5420, Dubai, Tel: +971-4-8127400/ 8127406, Fax: +971-4-2822765. **(Musaffah)** Light House Electrical, P.O. Box 120, Abu Dhabi, Tel: +971-2-5548315, Fax: +971-2-5540461. **(Sharjah)** Mc Coy Middle East LLC, P.O. Box 25793, Sharjah, Tel: +971-6-5395931, Fax: +971-6-5395932. **(Ras Al Khaimah)** Mc Coy Middle East LLC, P.O.Box 10584, Ras Al Khaimah, Tel: +971-7-2277095, Fax: +971-7-2277096. **YEMEN: (Aden)** Muala St., Tel: +967 2 222670, Fax: +967 2 222670. **(Sana'a)** Middle East Trad. Co. Ltd., P.O. Box 12363, Hayel Street, Sana'a. Tel: +967-1-204201, Fax: +967-1-204204. **(Taiz)** Middle East Trading Co. (METCO), 5th Flr. Hayel Saeed Anam Bldg, Al-Mugamma St. Taiz, Yemen, Tel: +967-4-213455, Fax: +967-4-219869.

Имена и адреса дистрибьютеров BLACK + DECKER

Альметьевск, ООО "Смарт", 423451, ул. Тухватуллина, д.112, база Смарт, Телефон: (8553) 30-01-01, Факс: (8553) 30-00-01. **Ангарск**, ООО "ВСРТА Кемеровские заводы" 666800, ул. Рабочего Штаба, д. 87, Телефон: (3955) 77-91-02, 96-96-59, Факс: (3955) 77-91-02. **Архангельск**, ООО "Архлес-сервис", 163071, ул. Тимме, д. 23, Телефон: (8182) 27-00-49, 29-35-86, Факс: (8182) 27-00-49. **Астрахань**, ООО "Компания Инструментал", 414057, ул. Рождественского, д. 1 Ж, Телефон: (8512) 35-14-46, 35-14-46, Факс: (8512) 50-21-21. **Астрахань**, ООО "Мастер-Класс", 414014, ул. Ярославская, д. 34 А, Телефон: (960) 856-05-11. **Ачинск**, ООО "Экстрим-Центр", 662150, ул. Дзержинского, д. 36, Телефон: (39151) 6-23-22. **Барнаул**, ИП Бескишин В. П., 656010, ул. пр-т Ленина, д. 73, Телефон: (3852) 61-77-12, Факс: (3852) 61-77-12. **Барнаул**, ИП Никитин М. Д., 656067, ул. Балтийская, д. 66 А, Телефон: (3852) 45-58-47, 8 (964) 603-72-52, Факс: (3852) 45-39-85. **Белгород**, ООО "ЦентрИнструментСервис-Белгород", 308002, ул. Богдана Хмельницкого пр-т, д. 133 В, Телефон: (4722) 31-82-48, 34-61-29, Факс: (4722) 31-82-48. **Белгород**, ИП Шабанов С. И., 308024, ул. Костюкова, д. 1, Телефон: (4722) 55-86-08, Факс: (4722) 55-26-43. **Благовещенск**, ООО "Амурская электротехника", 675014, ул. Кольцевая, д. 43, Телефон: (4162) 42-30-70. **Бор**, ООО "Молоток", 606440, ул. Первомайская, д. 7 А, Телефон: (83159) 9-35-58, Факс: (83159) 9-35-58. **Брянск**, ИП Тимошкин С. Н., 241035, ул. Бурова, д. 14, Телефон: (4832) 68-71-75, Факс: (4832) 68-71-75. **Брянск**, ИП Тимошкин С. Н., 241037, ул. Красноармейская, д. 103, Телефон: (4832) 41-71-44, Факс: (4832) 41-71-44. **Великие Луки**, ИП Леничев Ю. Г., 182100, ул. Мурманская, д. 16, Телефон: (81153) 3-71-20, Факс: (81153) 5-14-60. **Владивосток**, ИП Барса В. А., 690105, ул. Бородинская, д. 46/50, каб. 305, Телефон: (423) 234-57-12, Факс: (423) 234-57-12, **Владикавказ**, ИП Метрелии Г. В., 362003, ул. Калоева, д.400, Телефон: (8672) 24-15-73, 51-32-23 Факс: (8672) 51-32-23. **Владимир**, ИП Верстин В. Ф. 600022, ул. пр-кт Ленина, д. 44, Телефон: (4922) 38-27-90, Факс:(4922) 38-67-55. **Владимир**, ООО "ИМКом-Сервис", 600035, ул. Куйбышева, д. 4,Телефон: (4922) 37-06-05. **Волгоград**, ООО "НПФ СЛАВЯНЕ", 400074, ул. Козловская, д. 20, Телефон: (8442) 94-52-49, Факс: (8442) 94-52-49. **Волгоград**, ООО "Инструмент-Сервис", 400055, ул. Фадеева, д. 29, Телефон:(8442) 55-00-11, Факс:(8442) 55-00-11. **Волгоград**, ООО "Инструмент-Сервис" 400050 ул., Рокоссовского, д. 52, Телефон: (8442) 55-00-11, Факс: (8442) 55-00-11. **Волжский**, ООО "Инструмент-Сервис" 404106, ул. Большевикская, д.70Б, Телефон: (8443) 55-00-99, Факс:(8443) 55-00-99. **Вологда**, ИП Журавлёв Д. А.160022, ул. Можайского, д. 44. Телефон: (8172) 74-30-63, Факс: (8172) 74-30-63. **Воронеж**, ООО "Энкор-Сервис", 394026, ул.Текстильщиков, д. 2 корп. 3, Телефон: (473) 261-96-35, 261-96-46, Факс: (473) 261-96-35 доб.458. **Воткинск**, ИП Татаиринов К. В. 427430 ул. Садовникова, д. 17, Телефон: (950) 171-60-05, 8(963)546-22-34. **Екатеринбург**, ИП Салахов Д. Д. 620026, ул. Розы Люксембург, д. 67 А, Телефон: (343) 251-94-94. **Екатеринбург**, ООО "ИНИГС-Сервис", 620026, ул. Шефская, д. 3, корп. Г, Телефон: (343) 219-28-47, Факс: (343) 264-04-40. **Иваново**, ИП Грушина М. Е.,153000, ул. Красногвардейская д. 33, Телефон: (4932) 30-67-00. **Ижевск**, ИП Струков А. А., 426006, ул. Телегина, д. 30, Телефон: "(3412) 93-24-19", Факс: (3412) 93-24-19, 93-24-20. **Ижевск**, ООО "РЭМО", 426011, ул. Майская, д. 28, Телефон: (3412) 73-95-85, Факс: (3412) 72-72-76. **Иркутск**, ИП Паздникова Л. И. 664075, ул.Байкальская, д. 239, корп.7, Телефон: (3952) 22-60-29, 22-87-24, Факс: (3952) 22-60-29, доб.136. **Иркутск**, ООО "ВСРТА Кемеровские заводы", 664035, ул. Рабочего штаба, д. 87, Телефон:(3952) 77-91-02,96-96-59, Факс: (3952) 77-91-02, 77-93-87. **Ишар-Ола**, ООО "Дровосек", 424037, ул. Машиностроителей, д. 2 Б, Телефон: (8362) 41-97-70, Факс: (8362) 41-97-70. **Казань**, ИП Федосеев Е. И.,420029, ул. Сибирский Тракт, д. 34 корп. 12, Телефон: (843) 211-99-01 (02,03,04), Факс:(843) 211-99-01 (02,03,04). **Казань**, ООО "Вавилон-С", 420136, ул. Маршала Чуйкова, д. 25, Телефон: (843) 525-44-15, Факс: (843) 525-44-15. **Казань**, ООО "Дровосек", 420129, ул. Габдуллы Тукая, д. 125, корп.3, Телефон: (843) 205-33-32, 205-33-34. **Казань**, ООО "Профтулз", 422625, с. Песчаные Ковали, ул. Октябрьская, д.28,Телефон:(843) 225-80-20. **Казань**, ООО "Профтулз", 422622 с. Сокуры, ул. Державина, д. 9 А,Телефон: (843) 225-20-80, **Калининград**, ИП Скрицкий О. И., 236001, ул. Московский пр., д. 253, Телефон: (4012) 59-06-06, 59-06-13, Факс: (4012) 59-06-13. **Калуга**, ИП Смогилева А. Б., 248000, ул. Карла Либкнехта, д. 31, Телефон: (4842) 22-03-65, (920) 617-81-91. **Кемерово**, ООО "Сервисный центр "Электра",650044, ул. Абызова, д. 12 А, Телефон: (3842) 64-01-03, 64-28-00, 64-04-55, Факс: (3842) 64-00-07, **Киров**, ИП Кассихин В. Н., 610020, ул. Труда, д. 71, Телефон: (8332) 64-66-56, Факс: (8332) 64-66-56. **Киров**, ООО "Дровосек", 610004, ул. Ленина, д. 54,Телефон: (8332) 35-80-24, 35-80-25, Факс: (8332) 35-80-24, 35-80-25. **Киров**, ООО "Неолип", 610035, ул. Пугачева, д. 1, Телефон: (8332) 56-35-63, Факс: (8332) 56-35-63. **Ковров**, ООО "ИМКом-Сервис" 601916, ул. Летняя, д. 24 А, Телефон: (49232) 4-58-66, Факс: (49232) 4-58-66. **Кострома**, ООО "КрафтТулз", 156026, ул. Северной правды, д. 41 А, Телефон: (4942) 32-59-91, (910) 376-00-10, Факс: (4942) 32-59-91. **Краснодар**, ООО " СТО " Авто-Кубань ", 350059, ул. Новороссийская, д. 174 А,Телефон: (989) 800-86-32, (918) 977-76-22. **Красноярск**, ООО "Инструмент-Сервис", 660121, ул. Парашютная, д. 15,Телефон:(3912) 61-98-99, 61-98-95, Факс: (3912) 61-98-99, 61-98-95. **Красноярск**, ООО "Сервисный Центр", 660022, ул. Аэровокзальная, д. 21 стр. 2, Телефон: (3912) 41-86-40, Факс: (3912) 41-86-40, **Курск**, ИП Долголев Р. В. 305001, ул. Кожевенная, д. 31. А, Телефон: (4712) 38-90-65, Факс: (4712) 38-90-65. **Липецк**, ООО "Арсенал", 398001, д. 9 Марта, д. 13,Телефон:(4742) 74-06-96, 35-32-15, Факс: (4742) 74-66-76, 22-74-78. **Липецк**, ЗАО "ДПрофи", 398035, ул. Космонавтов, д. 43,Телефон:(4742) 31-92-69, 790, Факс: (4742) 31-92-69, 79. **Магнитогорск**, ИП Трухин А. С. 455045, ул. Свободы, д. 7, (3519) 49-26-77, Миасс, ИП Макаров В. В., 456317, ул. Академика Павлова, д. 8 Б, Телефон: (904) 305-83-79, **Москва**, ООО "Фирма Технопарк", 121471, ул. Гвардейская, д. 3, к.1,Телефон:(495) 737-81-59, 444-10-70, Факс: (495) 737-81-59, **Мурманск**, ИП Гиренко С. Г., 183038, ул. Ленина пр-т, д. 45, Телефон: (8152) 47-47-25, (8152) 47-47-25, **Муром**, ООО "ИМКом-Сервис", 602266, ул. Владимирское шоссе, д. 12, Телефон: (49234) 2-63-41, Факс: (49234) 2-63-41. **Набережные Челны**, ООО "КамаСнабТорг", 423803, ул. Сармановский тракт, д. 60,Телефон: (8552) 33-23-12, 44-49-99, **Набережные Челны**, ИП Давлеева И. М., 423800, ул. 40 лет Победы, ГСК "Визиди" бокс №19, Телефон: (962)566-95-23, Факс: (8552) 40-04-48, **Нальчик**, ООО "Техно-Сити", 360004, ул. Кирова, д.137,Телефон:(8662) 40-29-83, Факс: (8662) 40-78-78. **Нижний Новгород**, ИП Федосеев Е. И., 603124, ул. Московское ш., д. 300,Телефон: (831) 274-89-66, 274-89-67, Факс: 274-89-66, доб.117. **Нижний Новгород**, ООО "Пигмент", 603089, ул. Полтавская, д. 32,Телефон: (831) 416-78-70, 416-78-80, Факс: (831) 416-78-70. **Нижний Новгород**, ООО "Дровосек", 603086, ул. Бульвар Мира, д. 7,Телефон: (831) 281-81-91, Факс: (831) 281-81-91, **Новокузнецк**, ООО "Механик", 654005, ул. Пирогова, д. 301,Телефон:(3843) 73-83-17, Факс: (3843) 73-83-17, **Новосибирск**, ООО "Телец", 353920, ул. Героев Десантников, д. 61,Телефон: (8617) 63-50-10, Факс:(8617) 63-50-10, **Новосибирск**, ООО "СТП Регламент", 630091, ул. Советская, д. 52,Телефон: (3832) 20-00-30, Факс: (3832) 20-00-30. **Обнинск**, ИП Вишняков О. В. 249034, ул. Кабицинская Гос Заря №244,Телефон: (48439) 9-07-46, Факс:(48439) 9-07-46. **Сочи**, ЗАО "Исток", 354340, ул. Староанастасьевская, д. 30/2,Телефон:(8622) 40-20-64, 8-800-100-44-33. **Омск**, ООО "Профинструмент сервис", 644001, ул. Шебадина, д. 199, к. 1, Телефон: (3812) 36-65-09, Факс: (3812) 36-65-09. **Орел**, ИП Долженков А. В. 302030, ул. Старо-Московская, д. 7,Телефон: (4862) 54-36-07, Факс:(4862) 54-36-07.

Имена и адреса дистрибьютеров BLACK + DECKER

Оренбург, ООО "Уральский мастер", 460050, ул.Томиллинская, д. 238/1,Телефон: (3532) 53-26-11, 27-87-97, Факс: (3532) 53-26-11,
Орск, ИП Балан Ю. Л. 462421, ул. Новосибирская, д. 90 ,Телефон: (3537) 42-10-99, **Орск**, ООО "Проминоком", 462421, ул. Новосибирская, д. 211,Телефон: (3537) 28-15-29, **Пенза**, ООО "Анкор", 440600 ул. Гладкова, д. 10, Телефон: (8412) 55-32-27 ,
Пермь, ООО "КУБ", 614064, ул. Героев Хасана, д. 41,Телефон: (342) 240-25-39, 240-25-38,Факс: (342) 240-25-38, **Петрозаводск**,
ООО "Батя - Сервис", 185031, ул. Заводская, д. 4,Телефон: (8142) 74-72-42, 77-15-77, **Псков**, ООО "Сервисный центр "Мастер",
180006, ул. Первомайская, д. 33,Телефон: (8112) 72-45-55, 72-30-56,Факс: (8112) 72-45-55, 72-30-56, **Сочи**, ИП Никишина Т. Л.,
354000, ул. 20-й Горнострелковой дивизии д. 16,Телефон: (8622) 241-25-92, **Симферополь**, ООО "Инструмент Крым", 295001, ул.
Крылова, д. 21, (0652) 60-09-36, (978)735-43-12, **Севастополь**, ИП Малинка А. Н., 299033, ул. Льва Толстого, д. 7, (978)
018-27-90,**Пятигорск**, ООО "Электра", 357500, ул. Суворовский проезд, д. 1 А, Телефон:(8793) 38-27-57 Факс: (8793) 38-27-57.
Ростов-на-Дону, ИП Холод В. Н., 344004, ул. Нансена, д. 140,Телефон: (863) 279-03-05, 8(938)160-52-52. **Ростов-на-Дону**, ООО
"Электротрактор-Сервис", 344079, ул. Нансена, д. 77 (863) 295-74-65, **Рязань**, ООО "С-ФК",390000, ул. Садовая, д. 33,Телефон:
(4912) 28-20-16, 92-34-72,Факс: (4912) 28-20-16, **Рязань**, ИП Ильина Н. С., 390037, ул. Зубковой, д.8 А, Телефон: (4912)
32-07-81,Факс: (4912) 32-07-81, **Самара** "ЭлектроМаркт", 443052, ул. Земеца, д. 25,Телефон: (846) 955-24-14, Факс: (846)
955-24-14, **Самара**, ООО "Специалист", 443080, ул. 4-й проезд, д. 66,Телефон: (846) 342-52-61, Факс: (846) 342-52-61,
Санкт-Петербург, ООО "Инфраком - Сервис", 190103, ул. наб. Обводного канала, д. 187, литер Д, Телефон: (812) 777-0-111,
251-83-39,Факс: (812) 251-83-74, 575-48-13, Санкт-Петербург, ООО "Электра", 190013, ул. Рузовская, д. 5/13, литер А, пом. 6-Н.
Телефон: (812) 647-35-68,Факс: (812) 647-35-68, **Саратов**, ИП Петриченко В. В., 410005, ул. Соколова, д. 376,Телефон:(8452)
27-26-55, 69-26-15, 69-30-16,Факс: (8452) 69-30-37, **Саратов**, ООО "Дровосек", 410004, ул. Чернышевского, д. 88,Телефон: (8452)
20-03-81,20-03-87, Факс:(8452) 20-03-81,20-03-87, **Серпухов**, ИП Бекренев Г. А. 142200, деревня Борисово, Данковское шоссе, д.
3А,Телефон: (4967) 76-12-80, (926) 617-10-19, **Смоленск**, ИП Шульман А. И. 214004, ул. 2-й Краснинский переулок, д. 14,Телефон:
(4812) 32-15-42,Факс: (4812) 32-15-42, **Сокол**, ООО "Домострой", 162130 ул. Набережная Свободы, д. 52,Телефон: (81733) 2-29-79,
2-26-72,Факс: (81733) 2-29-79, 2-26-72, **Сочи**, ИП Семенченко Т. В. 354000, ул. Транспортная, д./78,Телефон: 8-965-481-13-05,
Сочи, ИП Никишина Т. Л., 352002, ул. 20-й Горнострелковой, дивизии д.16,Телефон: (8622) 25-52-13, **Ставрополь**, ИП Матвеев А.
Б., 355002, ул. 50 лет ВЛКСМ, д. 89,Телефон: (8652) 55-41-35,Факс: (8652) 55-46-13. **Стерлитамак**, ИП Исаев А. В., 453118, ул.
Худайбердина, д. 202 А,Телефон: (3473) 41-41-19. **Тамбов**, ОП Поликашин Ю. В., 392000, ул. Монтажников, д. 8 А,Телефон: (4752)
50-47-67. **Тольятти**, ООО "Инструмент сервис" 445000,ул.Офицерская, д. 24,Телефон: (8482) 51-58-13, 51-54-48, Факс:(8482)
51-54-48. **Томск**, ИП Брусиныч Н. К. 634061 ул. Герцена, д. 72,Телефон: (3822) 52-25-02, 97-95-73, Факс: (3822) 52-34-73. **Томск**, ИП
Обухов М. Г.,634063,ул. Мичурина, д. 47, стр. 1,Телефон: (3822) 67-95-74, Факс: (3822) 67-95-74. **Тюмень**, ООО "Спецтехника",
625026, ул. Республики, д. 143, ост. Газпром, Телефон: (3452) 31-03-11, 20-55-97, Факс: (3452) 20-55-97. **Туапсе**, ИП Гвилава В. Б.,
352800, ул. Армавирская, д. 8 Б, Телефон: (918) 600-32-42, Факс: (86167) 2-54-47, **Тула**, ИП Машинков Ю. Н., 300041, ул.
Коминтерна, д. 24,Телефон: (4872) 55-87-21, **Узловая**, ООО "Инструмент-сервис", 301600, ул. Треугова, д. 31 А,Телефон: (48731)
6-29-64, Факс: (48731) 6-29-64. **Улан-Удэ**, ИП Коркина О. Ю., 670031, ул. Сахьяновская, д. 9 В, Телефон: (3012) 43-70-54, 43-58-61,
Факс: (3012) 43-58-61. **Ульяновск**, ООО "ДПС", 432071, ул. пр-т Нариманова, д. 1, Телефон: (8422) 37-01-46, Факс: (8422) 37-01-46,
Ульяновск, ООО "Дровосек", 432017, ул. Минаева, д. 12, Телефон: (8422) 32-21-28, Факс: (8422) 32-21-28. **Уфа**, ИП Мингалев А. В.,
450078, ул. Кирова, д. 101,Телефон: (347) 246-31-86, Факс: (347) 246-31-86, **Ухта**, ООО "ТМ Мушковой Инструмент", 169300, ул.
Интернациональная, д.40,Телефон: (8216) 72-09-00, **Хабаровск**, ООО "БизнесСтройИнструмент", 680014, ул. Переулк Гражарный,
д. 4, Телефон: (4212) 40-07-78, Факс: (4212) 40-07-77, **Чебоксары**, ИП Васильев А. Ю., 428000, ул. Базовый проезд, д. 8 Б,Телефон:
(8352) 57-39-62, **Челябинск**, ИП Альперова Д.П., 454138, ул. Молодогвардейцев, д. 7, корп.3,Телефон: (351) 267-50-01, 267-50-04,
Факс: (351) 267-50-01, 267-50-04. **Череповец**, ИП Исупов А. А., 162614 ул. Вологодская, д. 50 А, Телефон: (8202) 202-102, доб.3.
Ярославль, ООО "ЦентрРегионСервис", 150014, ул. Рыбинская, д. 30/30, Телефон: (4852) 20-05-28, 20-05-29, Факс: (4852) 20-05-29,
Ярославль, ООО "ЯрБошСервис", 150040, ул. пр-т Ленина, д. 37/73, пом. 69, 70, 71 Телефон: (4852) 73-34-91. **Примьный Пункт**,
Саранск, ООО "ФиТеС", 430030, ул., Титова, д. 4, Телефон: (8342) 23-32-23, Факс: (8342) 23-32-23. **Тверь**, ООО "Левша", ул. наб.
Никитина, д. 142, Телефон: (4822) 52-27-87. **Камышин**, ООО "Инструмент-Сервис" 403873, ул. Пролетарская, д. 115 Б, Телефон:
(84457) 5-27-27 Факс: (84457) 5-27-27. **Новоосовецк**, ООО "Инструмент-Сервис" 301660, ул. Мира, д.17 А, Телефон: (48762)
7-90-37, **Украина**, Донецк, ДП "ЭСКО-Днепр", 83018, ул. Ершова, д. 10, 38(062), Телефон: 349-24-20, Факс: 349-24-30 ,
Днепропетровск, ООО "ЭСКО-Днепр", 49038, ул. Возкальная, д. 6, Телефон: 38(056) 770-60-28, Факс: 38(062) 349-24-10.
Запорожье, ООО "Альцест - Запорожье", 69057, ул. 40 лет Советской Украины, д. 86Б, Телефон: 38(061) 220-28-13, Факс: 38(0562)
311-971 **Ивано-Франковск**, АОЗТ "Альцест-Карпаты", 76000, ул. Мельничука, д. 8, Телефон: 38(0342) 50-24-04, Факс: 38(061)
701-71-52, 53 , **Киев**, ООО ПКП "ЭСКО", 04073, ул. Сырецкая, д. 33Ш, Телефон: 38(044) 581-11-25, Факс: 38(0342) 50-24-04. **Львов**,
ООО "Дом инструментов ", 79020, ул. Замарастыновская, д. 76, Телефон: 38(0322) 24-72-13, 24-72-51, Факс: 38(044) 581-11-25.
Одесса, ДП "ЭСКО-Одесса", 65033, ул. Строганова, д. 29А, 38(0482) 37-61-76, 38(0322) 24-72-13, **Харьков**, ФЛП Коротченко Е.В.,
61001, ул. Юлия Чигирина, д. 13, Телефон: 38(057) 731-97-22,24,26, Факс: 38(0652) 600-936. **Луцк**, ФОП "Крукочев В. С.", 43024, пр.
Соборности, д. 11 а, Телефон: 38(0332) 29-97-90, Факс: 38(057) 731-97-22, 24, 26, **КривойРог**, ЧП"Коновал А. В.", 50000, пр. Мира,
д. 16, Телефон: 38(056) 404-03-45, Факс: 38(0332) 29-97-90, **Херсон**, ФОП Пархоменко Игорь Алексеевич, 73000, ул. Дровника, д. 12,
Телефон: 38(0552) 39-06-90 Факс: 38(0552) 39-06-90. **Армения**, Ереван, ПК "АРЕГ", 0070, ул. Вардананца, д. 28, Телефон: (37410)
57-02-31, Факс: (37410) 57-02-38. **Беларусь**, Минск, УП "18", 220049, ул. Волгоградская, д. 13, к. 8, Телефон: (017) 280-77-81,
280-76-93, Факс: (37517) 207-22-78, 251-43-07. **Казахстан**, Алматы, ТОО "Ламэд", 050060, ул. Березовского, д. 3А, Телефон: (727)
244-64-46, Факс: (727) 244-64-46, **Актобе**, Филиал ТОО "Ламэд", 030000, ул., Санкибай Батыра, д. 4 Л, Телефон: (7132) 53-86-80,
Факс: (7132) 51-05-54. **Астана** Филиал ТОО "Ламэд", 010000, ул. Пушкина, д. 37/1,Телефон: (7172) 47-81-37, Факс: (7172) 54-16-47.
Усть-Каменогорск, ТОО "Алтай-Метиз", 070003 , ул. Космическая, д. 4/19, Телефон: (7232) 53-45-44, Факс: (7232) 76-54-93.
Кустанай, ИП Шипилкин В. Г., 110000, ул. Складская, бутик № 35,Телефон: (7142) 39-25-24, Факс: (7142) 56-62-67. **Павлодар**, ТОО
"ЛСА - Сервис", 140000, ул. Академика Бектурова, д. 58, Телефон:(7182) 32-08-68. **Грузия**, Тбилиси, ООО "Кавкасия 99", 0141, ул.
Ксанская №22, Телефон: (832) 260 94 49. **Тбилиси**, ООО "Евротехнологии", 177, ул.пр-т Казбеги, 26, Телефон: (832) 238 52 38.
Азербайджан, Баку, ООО "Сантрал Электрик", AZ1029, ул. пр-т Зии Буньятова 2071-квартал, Телефон: (994) 12 514-40-46.

Şehir	Servis Adı	Adres	Telefon
Adana	Emin Elektrik Bobinaj	Karasu Mah. Kızılaj Cad. 28006 Sok. No: 9/D Seyhan	0322 351 80 46
Adana	Demir Elektrik	Karasu Mah. Kızılaj Cad. G�ng�r Pasajı No: 12 Seyhan	0322 352 97 95
Afyon	Katar Bobinaj	G�venevler Mahallesi 1. San. Sitesi 622 Sokak 6. Blok No :12/A	0272 214 48 64
Ađrı	Tamıuđ Bobinaj	Yavuz Mah. Kađızcan Cad. B�llb�l Sok. No: 51	0472 215 70 41
Amasya	Akotek Ticaret	Yeni Yol Cad. No: 85	0358 218 71 79
Ankara	Bařak Elektrik	Bařkent Orta San. Sit. 664. Sok. No: 28 Ostim	0312 386 20 84
Ankara	Tezcan Elektrik Bobinaj	1230/1 Sok. No:38 Ostim	0312 354 80 21
Ankara	Tezcan Elektrik Bobinaj	ŐubeYeni San. Sit. Demir Cad. No:64 Dıřkapaı	0312 311 28 09
Ankara	Tezcan Elektrik Bobinaj Őube	Çalm Sok. No: 32/E Sitelers	0312 348 63 88
Antalya	Yařar Bobinaj	Ařađı Pazarcı Mah.1068 Sok. No: 19 Manavgat	0242 744 47 07
Antalya	Uslu Bobinaj	G. Pınarı Mah. Oba Yolu �zeri No: 27/C Alanya	0242 511 57 01
Antalya	G�zde Bobinaj	Akdeniz San. Sit. 5010 Sok. No: 25 Kepez	0242 221 40 30
Antalya	E.B.A Teknik	Cumhuriyet Mah. Eski San. Sit. 682 Sok. No: 38	0242 345 36 22
Aydın	Ege Bobinaj	Yeni Mah. Atat�rk Bul. No: 206/E Didim	0256 811 05 95
Aydın	Ozen Bobinaj	Ata Mah. Tepecik Bulvarı No:39	0256 227 0707
Balıkesir	K�re Bobinaj	Atat�rk Cad. No: 109 Bandırma	0266 718 46 79
Balıkesir	Tezger Bobinaj	Yeni San. Sit. Cumhuriyet Cad. No:198	0266 246 23 01
Batman	Topız Bobinaj	Cumhuriyet Mah. 1512 Sok. No: 35/A	0488 214 87 70
Bolu	Moral Elektrik Bobinaj	Karamanlı Mah. Konuralp Cad. Bilgi Apt. No: 24	0374 210 02 32
Bursa	Vokart Ltd. Őti.	Gasızlar Cad. Eriklı Bađe Sok. No: 7/B Osmangazi	0224 224 58 45
Bursa	Çađ Teknik Bobinaj	Yeni San. Orhangazi Cad. No:23 Ineg�l	0224 715 57 37
Bursa	Vokart Ltd. Őti. Őube	Beşevler K�c�k San. Sit. Ertuđrud Cad. 13. Satıř Sok. No: 19 Nil�fer	0224 441 57 00
Çanakkale	Ovalı Bobinaj	Hamdi Bey Mah. Istiklal Cad. No: 160 Biga	0286 316 49 66
Çanakkale	Kısacık Bobinaj	Namık Kemal Mah. Kaynak Sok. No: 41	0286 217 96 71
Çorum	Emek Bobinaj	K�c�k San. Sit. 23. Cad. No: 5/C	0364 234 68 84
Denizli	Őrsler Bobinaj	Ahisinan Cad. 171 Sok. Sedef Çarřısı No: 9/10	0258 261 42 74
Diyarbakır	Çetsan Elektrik	San. Sit. Karakol Sok. No: 1	0412 237 29 04
D�zce	Yıldız Makina	Burhanıye Mah. Gen. Kazım Sok. No: 10	0380 514 70 56
D�zce	Berke Makine	K�lt�r Mah. 793 Sok. No:10	0380 524 83 83
Edirne	Eray Bobinaj	Eski San. Sit. 12. Blok No: 9	0284 225 92 92
Elazıđ	Kalender Elektrik Bobinaj	San. Sit. 11. Sok. No: 46	0424 224 85 01
Erzincan	�mit Elektrik Makina	Karaađađ Mah. S�merbank Cad. No:18/3	0446 224 08 01
Erzurum	�mit Teknik	Bakırçı Mah. Bakırçı Sok. No: 1	0442 235 05 72
Erzurum	Teknik Makina Bobinaj	Demirciler San. Sit. 1. Blok D: 46 Yakutiye	0442 243 17 34
Eskiřehir	Escan Hırdavat	İhsaniye Mah. Kırm Cad. No: 71/A	0222 321 20 40
Gaziantep	Eser Bobinaj	K�c�k San. Sit. A Blok 11. Cad. 25. Ada No: 55 . Kamil	0342 235 30 84
Gaziantep	Karařahın Bobinaj	İsmet Pařa Mah. Őenyurt Cad. No: 35	0342 231 17 33
Hatay	Őz Kardeř Bobinaj	Yeni San. Sit. 38/A Blok No: 53	0326 221 22 91
Isparta	Izmir Bobinaj	Yeni San. Sit. 5 Blok No: 28	0246 223 70 11
İstanbul	Altek Mekatronik	İçmeler Mah. Ankara Cad. Erdođan Sok. No: 5/C Tuzla	0216 494 03 43
İstanbul	Tarık Makina	Bađdat Cad. Adalı Sok. No: 8 Maltepe	0216 370 21 11
İstanbul	Fırat Dıř Ticaret	Tersane Cad. Zincirli Han Sok. No:3/A Karak�y	0212 252 93 43
İstanbul	Birlik Elektromekanik	Perpa Tic. Mer. B Blok Mavi Avlu Kat. 4 No: 318 Okmeydanı	0212 222 94 18
İstanbul	Kardeřler Bobinaj	Kađıthane Cad. No: 47 Çađlayan	0212 224 97 54
İstanbul	Mert Elektrik	İktelli Org. Demirciler San. Sit. D/2 Blok No: 280 İktelli	0212 549 65 78
İstanbul	Orjinal Elektrik	Bađlar Mah. Mimar Sinan Cad. No: 24 G�neřli	0212 515 67 71
İstanbul	AkEl El. Servis Hizmetleri	Nato Yolu Cad. Tamer Sok. No: 1 Yukarı Dudullu �mraniye	0216 540 53 54
İstanbul	Fırat Dıř Ticaret Őube	Yakuplu Merkez Mah. 63. Sok. Ađaogulları Plaza A Blok No:9/A Beylikd�z�	0212 876 63 51
İstanbul	Zirve Teknik	Mehmet Akif Ersoy Mah. Atat�rk Cad. No: 58/B Sultanbeyli	0216 419 24 34
İzmir	Çetin Bobinaj	C�neyt Bey Mah. İbrahim Turan Cad. No 98/A Menderes	0232 782 73 00
İzmir	Birlik Bobinaj	2824 Sok. No: 18 1. San. Sit. Halkapınarı	0232 458 39 40
İzmir	Boro Cıvata	1203 Sok. Baltalı İş Merkezi C Blok. No: 18/C Yenıřehir	0232 469 80 72
İzmir	Doruk Hırdavat	1426 Sok. No: 14 Hurdacılar Sitesi Dođanlar Bornova	0232 478 14 12
Kahramanmarař	Bayram Bobinaj	Menderes mah. Girne Cad. No: 82	0344 281 08 26
Karab�k	Damla Elektrik Bobinaj	H�rriyet Mah. Aktař Cad. No: 17/B	0370 412 77 00
Karaman	�z�m Elektrik Bobinaj	Yeni San. Sit. 735. Sok. No: 2	0338 212 32 69
Kastamonu	Teknik Bobinaj	İn�n� Mah. İnebolu Cad. No: 132	0366 212 62 26
Kayseri	Akın Elektrik Bobinaj	Eski San. B�lgesi 5. Cad. No: 8	0352 336 41 23
Kayseri	Akın Elektrik Bobinaj Őube	Ađađ İřleri San. Sit. 29. Cad. No:84 Melikgazi	0352 311 41 74
Kocaeli	G�lsoy Bobinaj	S. Orhan Mah. İlyas Bey Cad. 1111 Sok. No: 5/1 Gebze	0262 646 92 49
Kocaeli	Teknik Karot	Gasızlar Mah. İbrahimada Cad. No: 159/A Gebze	0262 642 26 86
Kocaeli	Efe Elektrik Bobinaj	K�rfez San. Sit. 12. Blok No: 11	0262 335 18 94
Konya	Őszenler Bobinaj	Fevzi Çakmak Mah. Komsan İş Merkezi Anamur 10562 Sok. No: 8	0332 342 63 18
Konya	MEB Murat Elk. Bobinaj	Karatay San. Sit. Fatih Mah. Çiçekli Sok. No: 10	0332 235 64 63
K�tahya	Dođan Bobinaj	Yeni San. Sit. 19. Sok. No: 32	0274 231 22 00
Malatya	Őzer Bobinaj	Yeni San. Sit. 2. Cad. No: 95	0422 336 39 53
Manıřa	Çavuş Bobinaj	Kurtuluř Mah. Fatih Cad. No: 44/A Soma	0236 614 13 78
Mersin	Cořkun Bobinaj	Mahmudiye Mah. 4810 sok. No: 68 Akdeniz	0324 337 31 61
Mersin	Universel Bobinaj	Yeni Mah. Çiftçiler Cad. No:12/B Akdeniz	0324 233 44 29
Muđla	Başaran Teknik	Beldibi Cad. Sanayi Giriři No: 5/C Marmaris	0252 419 20 29
Muđla	General Elektrik Bobinaj	Tuzla Mah. Adnan Menderes Bulvarı No: 37/A	0252 612 38 34
Muđla	Őzseker Bobinaj	San. Sit. Demir�z Sok. No: 3 Bodrum	0252 313 11 02
Nevřehir	Çiftçig Sođutma	Yeni San. Sit 8 Blok No: 28	0384 213 19 96
Niđe	Emek Motor	Eski San. Çarřısı 1. Blok No: 2	0388 232 83 59
Sakarya	Engin Elektrik Bobinaj	Maltepe Mah. Orhan Gazi Cad. Őehit Metin Akkuř Sok. No: 19	0264 291 05 67
Samsun	Akıř Bobinaj	Ulus Cad. San. Sit. Keresteciler Kısarı No: 40	0362 238 07 23
Sivas	Bayraktar Elektrik	Camii Kebir Mah. Mahkemecařarı Cad. No:40/C	0346 221 47 55
Őanlıurfa	Ay Elektrik	Samsat Kapiyařaroglu Garajı No: 7	0414 215 74 76
Tekirdađ	Birkan Teknik	Őehsinan Mah. Eređli Sok. No: 25	0282 654 50 91
Tekirdađ	Çetin Elektrik Bobinaj	100. Yıl San. Sit. 14B Blok No: 10	0282 263 86 60
Tokat	Çetin Elektrik Bobinaj	San. Sit. Camii Altı No: 22	0356 214 63 07
Trabzon	Akçay Bobinaj Makina	Yaylacık Mah. Tosun San Sit No: 3 Akçaabat	0462 227 54 26
Trabzon	Makina Market	Rize Cad. No: 71 Deđirmendere	0462 328 14 80
Uřak	Zengin Bobinaj	İslic Mah. . İbrahim Aydın Sok. No:12	0276 227 27 46
Van	Őzen Elektrik Bobinaj	Vali Mithatbey Mah. Koçbey Cad. Armoni İş Merkezi No: 23	0432 214 22 27
Yalova	Deniz El. Ser. Hizmetleri	H�rriyet Mah. Devlet Yolu �zeri No: 54/1	0226 461 22 43
Zonguldak	Aytekin Elektrik	Kıřla San. Sit. 1 Blok No: 24 Kdz. Eređli	0372 136 39 71

GB WARRANTY CARD

BY ГАРАНТЙНЫЙ ТАЛОН

RUS ГАРАНТИЙНЫЙ ТАЛОН

KZ КЕПІЛДІК ТАЛОН

UA ГАРАНТІЙНИЙ ТАЛОН

UZ ГАРАНТИЯ ЧИПТАСИ



GB months

BY месяцы

RUS месяца

KZ ай

UA місяці

24

UZ ой

GB Serial No.	Date of sale	Selling stamp, Signature
RUS Серийный номер	Дата продажи	Печать и подпись торговой организации
UA Серійний номер	Дата продажу	Печатка та підпис торгівельної організації
BY Серийны нумар	Дата продажы	Пячатка і подпіс гандлёвай установы
KZ Сериялық нөмір	Сату күні	Сауда ұйымының мөрі мен қолтанбасы
UZ Серия сони	Сотилган куни	Савдо корхонанинг мухр ва имзоси

№ 1

Order No. / Заказ № / Замовлення №

Date of receipt/ Дата поступления/ Дата прийому

Date of receipt/ Дата выдачи/ Дата видання

Stamp and signature of the service centre/
Печатать и подписать сервисного центра/
Печатка та підпис сервісного центру

№ 1

Order No. / Заказ № / Замовлення №

Date of receipt/ Дата поступления/ Дата прийому

Stamp and signature of the service centre/
Печатать и подписать сервисного центра/
Печатка та підпис сервісного центру

№ 2

Order No. / Заказ № / Замовлення №

Date of receipt/ Дата поступления/ Дата прийому

Date of receipt/ Дата выдачи/ Дата видання

Stamp and signature of the service centre/
Печатать и подписать сервисного центра/
Печатка та підпис сервісного центру

№ 2

Order No. / Заказ № / Замовлення №

Date of receipt/ Дата поступления/ Дата прийому

Stamp and signature of the service centre/
Печатать и подписать сервисного центра/
Печатка та підпис сервісного центру

№ 3

Order No. / Заказ № / Замовлення №

Date of receipt/ Дата поступления/ Дата прийому

Date of receipt/ Дата выдачи/ Дата видання

Stamp and signature of the service centre/
Печатать и подписать сервисного центра/
Печатка та підпис сервісного центру

№ 3

Order No. / Заказ № / Замовлення №

Date of receipt/ Дата поступления/ Дата прийому

Stamp and signature of the service centre/
Печатать и подписать сервисного центра/
Печатка та підпис сервісного центру

№ 4

Order No. / Заказ № / Замовлення №

Date of receipt/ Дата поступления/ Дата прийому

Date of receipt/ Дата выдачи/ Дата видання

Stamp and signature of the service centre/
Печатать и подписать сервисного центра/
Печатка та підпис сервісного центру

№ 4

Order No. / Заказ № / Замовлення №

Date of receipt/ Дата поступления/ Дата прийому

Stamp and signature of the service centre/
Печатать и подписать сервисного центра/
Печатка та підпис сервісного центру

№ 4	№ 3	№ 2	№ 1
Заказ №/Талсырыс №/Буюртма №	Заказ №/Талсырыс №/Буюртма №	Заказ №/Талсырыс №/Буюртма №	Заказ №/Талсырыс №/Буюртма №
Дата прыемки/Кабылдау күні/Кабул килинган күни	Дата прыемки/Кабылдау күні/Кабул килинган күни	Дата прыемки/Кабылдау күні/Кабул килинган күни	Дата прыемки/Кабылдау күні/Кабул килинган күни
Дата выдачы/Беру күні/Кайтарыб берилган күни	Дата выдачы/Беру күні/Кайтарыб берилган күни	Дата выдачы/Беру күні/Кайтарыб берилган күни	Дата выдачы/Беру күні/Кайтарыб берилган күни
Пачатка і подпіс сэрвіснага цэнтра/ Сервіс орталыгының мөрі мен колтанбасы/ Сервіс марказининг мухр ва имзоси	Пачатка і подпіс сэрвіснага цэнтра/ Сервіс орталыгының мөрі мен колтанбасы/ Сервіс марказининг мухр ва имзоси	Пачатка і подпіс сэрвіснага цэнтра/ Сервіс орталыгының мөрі мен колтанбасы/ Сервіс марказининг мухр ва имзоси	Пачатка і подпіс сэрвіснага цэнтра/ Сервіс орталыгының мөрі мен колтанбасы/ Сервіс марказининг мухр ва имзоси
----- № 4	----- № 3	----- № 2	----- № 1
Заказ №/Талсырыс №/Буюртма №	Заказ №/Талсырыс №/Буюртма №	Заказ №/Талсырыс №/Буюртма №	Заказ №/Талсырыс №/Буюртма №
Дата прыемки/Кабылдау күні/Кабул килинган күни	Дата прыемки/Кабылдау күні/Кабул килинган күни	Дата прыемки/Кабылдау күні/Кабул килинган күни	Дата прыемки/Кабылдау күні/Кабул килинган күни



АВТОРИЗОВАННЫЕ СЕРВИСНЫЕ ЦЕНТРЫ



Сервисная сеть BLACK+DECKER постоянно расширяется.
Информацию об обслуживании в других городах Вы можете получить по телефонам
в Москве: (495) 258 39 81/2/3, в Киеве: (044) 238 95 94, www.blackanddecker.ru

„Исправный и полностью укомплектованный товар получил(а), с гарантийными условиями ознакомлен(а)/
Справний та повністю укомплектований товар отримав(ла), з гарантійними забор'язаннями ознайомлен(а)/
Спра ны і по насцю укомплектаваны тавар атрыма(ла), з гарантійнымі умовамі азнаёмлены(а)/
Т зу ж не толы жина тал ан тауар абылдадым, кепілдік шарттарымен таныстым/
Т затилган ва тулик комплектли махсулотни олдим, гарантия шартлари билан танишиб чикдим“

Подпись покупателя/ Підпис покупця/ Подпис закупника/ Сатып алушыны олтанбасы/ Хариддорнинз имзоси

İTHALATÇI FİRMA

Ünvanı	: Kale Hırdavat ve Makina A.Ş.
Adresi	: Defterdar Mah. Savaklar Cad. No:15 Edirnekapı - Eyüp / İSTANBUL
Telefon No.	: (0212) 533 52 55 (Pbx)
Faks No.	: (0212) 533 10 05
E-mail	: info@kalemakina.com



ÜRÜNÜN

Cinsi	:
Markası	: BLACK+DECKER
Modeli	:
Seri Numarası	:
Garanti Süresi	: 2 YIL
Azami Tamir Süresi	: 20 İŞ GÜNÜ

SATICI FİRMANIN

Ünvanı	:
Adresi	:
Telefon No.	:
Faks No.	:
Fatura Tarih ve No.	:
Ürün Teslim Tarihi	:
Ürün Teslim Yeri	:
Belgeyi Dolduranın Adı Soyadı	:

Kaşe - Yetkili İmza

GARANTİ ŞARTLARI

- Garanti süresi, malın teslim tarihinden itibaren başlar ve 2 yıldır.
- Malın bütün parçaları dahil olmak üzere tamamı firmamızın garantisine kapsamındadır.
- Malın ayıplı olduğunun anlaşılması durumunda tüketici, 6502 sayılı Tüketicinin Korunması Hakkında Kanunun 11 inci maddesinde yer alan;
 - Sözleşmeden dönme,
 - Satış bedelinden indirim isteme
 - Ücretsiz onarılmasını isteme
 - Satılanın ayıpsız bir misli ile değiştirilmesini isteme,haklarından birini kullanabilir.
- Tüketicinin bu haklardan ücretsiz onarım hakkını seçmesi durumunda satıcı; işçilik masrafı, değiştirilen parça bedeli ya da başka herhangi bir ad altında hiçbir ücret talep etmeksizin malın onarımını yapmak veya yaptırmakla yükümlüdür. Tüketici ücretsiz onarım hakkını üretici veya ithalatçıya karşı da kullanabilir.

Satıcı, üretici ve ithalatçı tüketicinin bu hakkını kullanmasından müteselsilen sorumludur.
- Tüketicinin, ücretsiz onarım hakkını kullanması halinde malın;
 - Garanti süresi içinde tekrar arızalanması,
 - Tamiri için gereken azami sürenin aşılması,
 - Tamirinin mümkün olmadığının, yetkili servis istasyonu, satıcı, üretici veya ithalatçı tarafından bir raporla belirlenmesidurumlarında; tüketici malın bedel iadesini, ayıp oranında bedel indirimini veya imkan varsa malın ayıpsız misli ile değiştirilmesini satıcıdan talep edebilir.
- Satıcı, tüketicinin talebini reddedemez. Bu talebin yerine getirilmemesi durumunda satıcı, üretici ve ithalatçı müteselsilen sorumludur.
- Malın tamir süresi 20 iş gününü geçemez. Bu süre, garanti süresi içerisinde mala ilişkin arızanın yetkili servis istasyonuna veya satıcıya bildiri tarihi, garanti süresi dışında ise malın yetkili servis istasyonuna teslim tarihinden itibaren başlar. Malın arızasının 10 iş günü içerisinde giderilmemesi halinde, üretici veya ithalatçı; malın tamiri tamamlanıncaya kadar, benzer özelliklere sahip başka bir malı tüketicinin kullanımına tahsis etmek zorundadır. Malın garanti süresi içerisinde arızalanması durumunda, tamirde geçen süre garanti süresine eklenir.
- Malın kullanma kılavuzunda yer alan hususlara aykırı kullanılmasından kaynaklanan arızalar garanti kapsamı dışındadır.
 - Garanti kapsam şartları;
 - Ürün hatalı kullanılmamıştır.
 - Ürün yıpranmamış, hırpalanmamış ve aşınmamıştır.
 - Yetkili olmayan kişilerce tamire çalışılmamıştır.
 - Satın alma belgesi (fatura) ibraz edilmiştir.
 - Ürün, tüm orijinal parçaları ile iade edilmiştir.
- Tüketici, garantiden doğan haklarının kullanılması ile ilgili olarak çıkabilecek uyuşmazlıklarda yerleşim yerinin bulunduğu veya tüketici işleminin yapıldığı yerdeki Tüketici Hakem Heyetine veya Tüketici Mahkemesine başvurabilir.
- Satıcı tarafından bu Garanti Belgesinin verilmemesi durumunda, tüketici Gümrük ve Ticaret Bakanlığı Tüketicinin Korunması ve Piyasa Gözetimi Genel Müdürlüğüne başvurabilir.

EEE Yönetmeliğine uygundur.

KULLANMA KILAVUZU İÇİN EK BİLGİLER

-Taşıma ve nakliye sırasında dikkat edilecek hususlar;
Cihazı taşıma ve nakliye esnasında hasar verecek şekilde taşınmamalı, bir yerden bir yere fırlatılmamalı, istifleme yapılırken dikkat edilmeli.

-Gümrük ve Ticaret Bakanlığı uyarınca belirlenen kullanım ömürleri aşağıdaki gibidir;

Testere Makineleri	7 yıl
Polisaj Makineleri	7 yıl
Matkaplar	7 yıl
Vidalama Makineleri	7 yıl
Zımpara Makineleri	7 yıl
Elektrikli Süpürgeler	10 yıl
Jeneratörler	10 yıl
Akümülatörler	5 yıl
Kesintisiz Güç Kaynakları	5 yıl
Dönüştürücüler	3 yıl
Çim-Ot-Çit Kesme Makineleri	5 yıl
Çim Biçme Makineleri	5 yıl
Zincirli Testere Makineleri	5 yıl
Çapalama Makineleri	5 yıl
Araç Buzdolapları	10 yıl
Buharlı Temizlik Makineleri	10 yıl

-Malın ayıplı olduğunun anlaşılması durumunda tüketici, 6502 sayılı Tüketici Korunması Hakkında Kanununun 11 inci maddesinde yer alan;

- Sözleşmeden dönme,
- Satış bedelinden indirim isteme
- Ücretsiz onarılmasını isteme
- Satılanın ayıpsız bir misli ile değiştirilmesini isteme,

haklarından birini kullanabilir.

-Tüketici, garantiden doğan haklarının kullanılması ile ilgili olarak çıkabilecek uyuşmazlıklarda yerleşim yerinin bulunduğu veya tüketici işleminin yapıldığı yerdeki Tüketici Hakem Heyetine veya Tüketici Mahkemesine başvurabilir.



WARRANTY REGISTRATION CARD

YOUR NAME/ الإسم

.....

YOUR ADDRESS العنوان

.....

.....

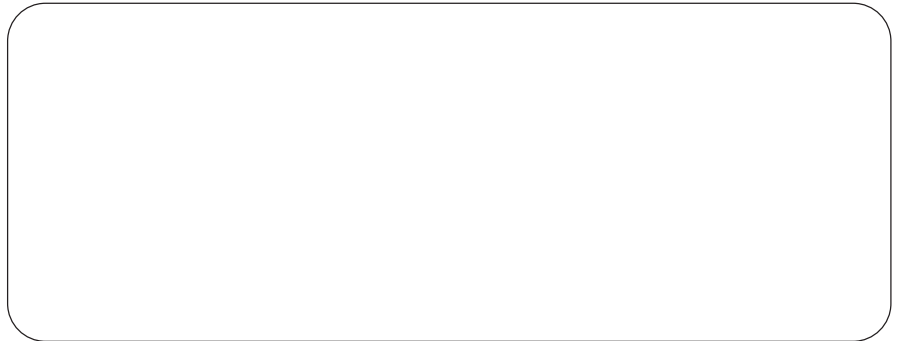
POSTCODE الرمز البريدي

DATE OF PURCHASE تاريخ الشراء

DEALER'S NAME & ADDRESS/ إسم و عنوان البائع

.....

.....



PRODUCT MODEL NO. BDHR202

