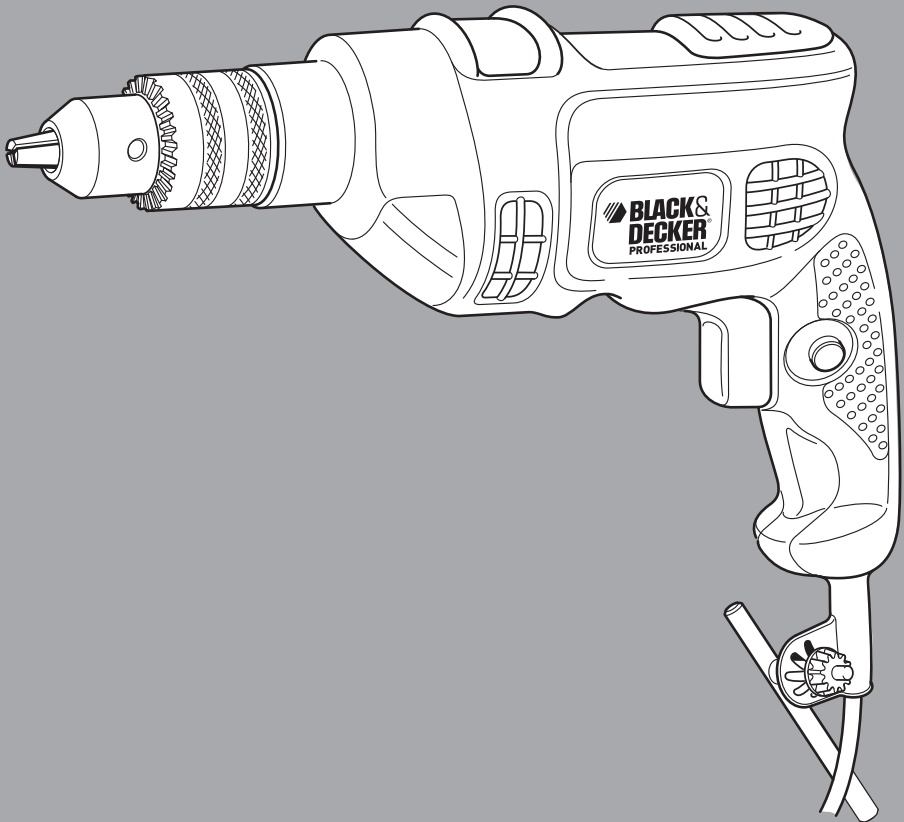


**PRO  
LINE**

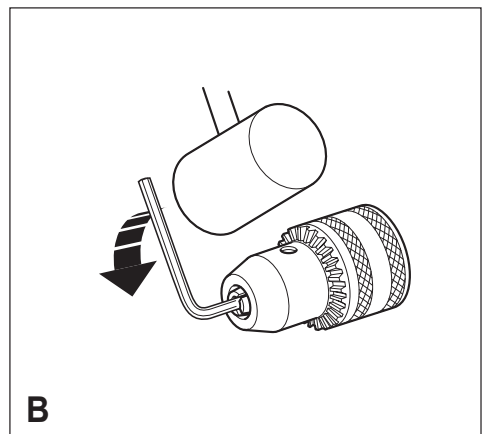
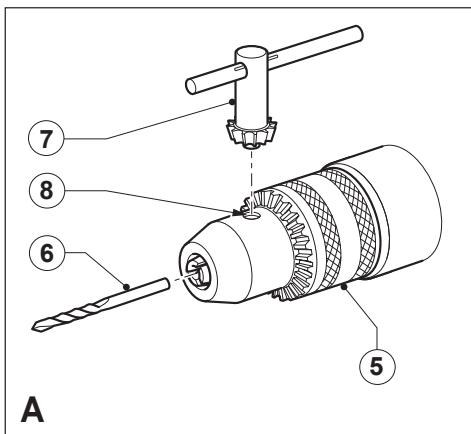
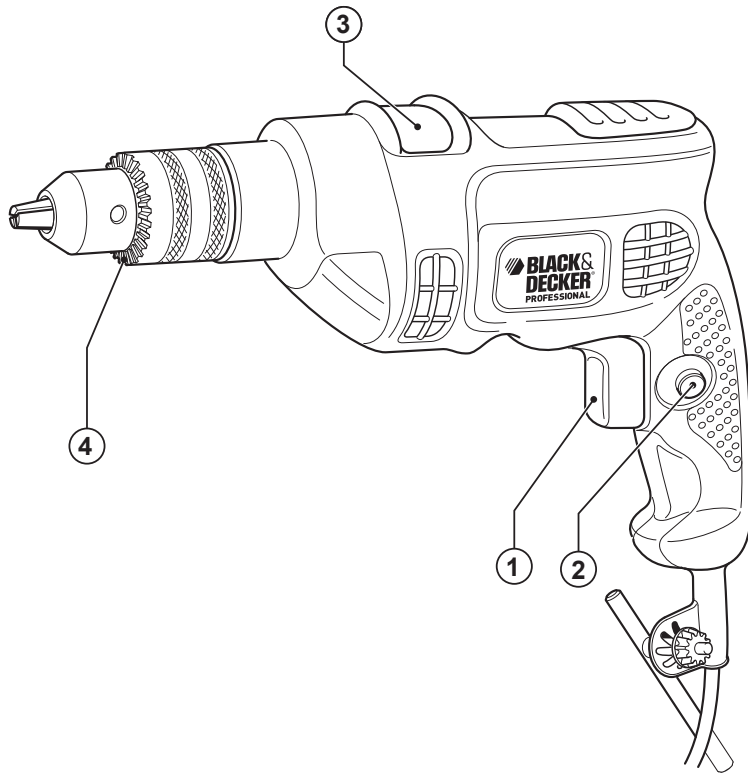


**BLACK & DECKER®**



[www.blackanddecker.ae](http://www.blackanddecker.ae)

**BPDH5510**



## Intended use

Your Black & Decker hammer drill has been designed for drilling in wood, metal, plastics, and masonry as well as for screwdriving purposes.

## General safety rules

**Warning!** Read all instructions. Failure to follow all instructions listed below may result in electric shock, fire and/or serious injury. The term "power tool" in all of the warnings listed below refers to your mains operated (corded) power tool or battery operated (cordless) power tool. **SAVE THESE INSTRUCTIONS.**

1. **Work area**
  - a. **Keep work area clean and well lit.** Cluttered and dark areas invite accidents.
  - b. **Do not operate power tools in explosive atmospheres, such as in the presence of flammable liquids, gases or dust.** Power tools create sparks which may ignite the dust or fumes.
  - c. **Keep children and bystanders away while operating a power tool.** Distractions can cause you to lose control.
2. **Electrical safety**
  - a. **Power tool plugs must match the outlet. Never modify the plug in any way. Do not use any adapter plugs with earthed (grounded) power tools.** Unmodified plugs and matching outlets will reduce risk of electric shock.
  - b. **Avoid body contact with earthed or grounded surfaces such as pipes, radiators, ranges and refrigerators.** There is an increased risk of electric shock if your body is earthed or grounded.
  - c. **Do not expose power tools to rain or wet conditions.** Water entering a power tool will increase the risk of electric shock.
  - d. **Do not abuse the cord. Never use the cord for carrying, pulling or unplugging the power tool. Keep cord away from heat, oil, sharp edges or moving parts.** Damaged or entangled cords increase the risk of electric shock.
  - e. **When operating a power tool outdoors, use an extension cord suitable for outdoor use.** Use of a cord suitable for outdoor use reduces the risk of electric shock.
3. **Personal safety**
  - a. **Stay alert, watch what you are doing and use common sense when operating a power tool. Do not use a power tool while you are tired or under the influence of drugs, alcohol or medication. A moment of inattention while operating power tools may result in serious personal injury.**
  - b. **Use safety equipment. Always wear eye protection.** Safety equipment such as dust mask, non-skid safety shoes, hard hat, or hearing protection used for appropriate conditions will reduce personal injuries.
  - c. **Avoid accidental starting. Ensure the switch is in the off position before plugging in.** Carrying power tools with your finger on the switch or plugging in power tools that have the switch on invites accidents.
  - d. **Remove any adjusting key or wrench before turning the power tool on.** A wrench or a key left attached to a rotating part of the power tool may result in personal injury.
  - e. **Do not overreach. Keep proper footing and balance at all times.** This enables better control of the power tool in unexpected situations.
  - f. **Dress properly. Do not wear loose clothing or jewellery. Keep your hair, clothing and gloves away from moving parts.** Loose clothes, jewellery or long hair can be caught in moving parts.
  - g. **If devices are provided for the connection of dust extraction and collection facilities, ensure these are connected and properly used.** Use of these devices can reduce dust related hazards.
4. **Power tool use and care**
  - a. **Do not force the power tool. Use the correct power tool for your application.** The correct power tool will do the job better and safer at the rate for which it was designed.

- b. **Do not use the power tool if the switch does not turn it on and off.** Any power tool that cannot be controlled with the switch is dangerous and must be repaired.
- c. **Disconnect the plug from the power source before making any adjustments, changing accessories, or storing power tools.** Such preventive safety measures reduce the risk of starting the power tool accidentally.
- d. **Store idle power tools out of the reach of children and do not allow persons unfamiliar with the power tool or these instructions to operate the power tool.** Power tools are dangerous in the hands of untrained users.
- e. **Maintain power tools. Check for misalignment or binding of moving parts, breakage of parts and any other condition that may affect the power tools operation. If damaged, have the power tool repaired before use.** Many accidents are caused by poorly maintained power tools.
- f. **Keep cutting tools sharp and clean.** Properly maintained cutting tools with sharp cutting edges are less likely to bind and are easier to control. For operations different from those intended could result in a hazardous situation.
- g. **Use the power tool, accessories and tool bits etc., in accordance with these instructions and in the manner intended for the particular type of power tool, taking into account the working conditions and the work to be performed.** Use of the power tool for operations different from those intended could result in a hazardous situation.

## 5. Service

- a. **Have your power tool serviced by a qualified repair person using only identical replacement parts.** This will ensure that the safety of the power tool is maintained.

## 6. Labels on tool



This tool is double insulated; therefore no earth wire is required. Always check that the power supply corresponds to the voltage on the rating plate.

- This appliance is not intended for use by young or infirm persons without supervision. Children must be supervised to ensure they do not play with the appliance.
- If the supply cord is damaged, it must be replaced by the manufacturer, an authorized Black & Decker Service Centre or an equally qualified person in order to avoid a hazard. If the supply cord is replaced by an equally qualified person, but not authorized by Black & Decker, the warranty will lose effect.

## Additional safety instructions for Hammer Drill

- **Wear ear protectors with impact drills.** Exposure to noise can cause hearing loss.
- **Hold power tool by insulated gripping surfaces when performing an operation where the cutting tool may contact hidden wiring or its own cord.** Contact with a "live" wire will also make exposed metal parts of the power tool "live" and shock the operator.
- **Use clamps or another practical way to secure and support the workpiece to a stable platform.** Holding the work by hand or against your body leaves it unstable and may lead to loss of control.
- Before drilling into walls, floors or ceilings check for the location of wiring and pipes.
- Avoid touching the tip of a drill bit just after drilling, as it may be hot.

## Features

This tool includes some or all of the following features:

1. On/off switch
2. Lock-on button
3. Drilling mode selector
4. Chuck

## Assembly

**Warning!** Before assembly, make sure that the tool is switched off and unplugged.

### Fitting a drill bit or screwdriver bit Keyed chuck (fig. A)

- Open the chuck by turning the sleeve (5) counterclockwise.
- Insert the bit shaft (6) into the chuck.
- Insert the chuck key (7) into each hole (8) in the side of the chuck and turn clockwise until tight.

### Removing and refitting the chuck (fig. B)

- Open the chuck as far as possible.
- Remove the chuck retaining screw, located in the chuck, by turning it clockwise using a screwdriver.
- Tighten an Allen key into the chuck and strike it with a hammer as shown.
- Remove the Allen key.
- Remove the chuck by turning it counterclockwise.
- To refit the chuck, screw it onto the spindle and secure it with the chuck retaining screw.

## Use

**Warning!** Let the tool work at its own pace. Do not overload.

**Warning!** Before drilling into walls, floors or ceilings, check for the location of wiring and pipes.

## Selecting the direction of rotation

For drilling and for tightening screws, use forward (clockwise) rotation. For loosening screws or removing a jammed drill bit, use reverse (counterclockwise) rotation.

- To select forward rotation, push the forward/reverse slider to the centre position.
- To select reverse rotation, push the forward/reverse slider to the left.

**Warning!** Never change the direction of rotation while the motor is running.

## Selecting the drilling mode

- For drilling in masonry, set the drilling mode selector (3) to the **T** position.
- For drilling in other materials and for screwdriving, set the drilling mode selector to the **2** position.

## Switching on and off

- To switch the tool on, press switch (1). For variable speed units, the tool's speed depends on how far you press the switch. As a general rule for variable speed units, use low speeds for large diameter drill bits and high speeds for smaller diameter drill bits.
- For continuous operation, press the lock-on button (2) and release the switch. This option is available only at full speed. This option does not work in reverse rotation.
- To switch the tool off, release the switch. To switch the tool off when in continuous operation, press the switch once more and release it.

## Accessories

The performance of your tool depends on the accessory used. Black & Decker accessories are engineered to high quality standards and designed to enhance the performance of your tool. By using these accessories you will get the very best from your tool.

## Maintenance

Your tool has been designed to operate over a long period of time with a minimum of maintenance. Continuous satisfactory operation depends upon proper tool care and regular cleaning.

**Warning!** Before performing any maintenance, switch off and unplug the tool.

- Regularly clean the ventilation slots in your tool using a soft brush or dry cloth.
- Regularly clean the motor housing using a damp cloth. Do not use any abrasive or solvent-based cleaner.

## Service

Black & Decker offers a full network of company-owned and authorized service locations. All Black & Decker Service Centers are staffed with trained personnel to provide customers with efficient and reliable power tool service. Whether you need technical advice, repair, or genuine factory replacement parts, contact the Black & Decker location nearest you.

## Technical data

BPDH5510		
Voltage	V <sub>ac</sub>	
	B5,B9	220-240 V ~ 50/60 Hz
Power input	W	500
No-load speed	/min	2800
<b>Max drilling capacity</b>		
Steel/concrete	mm	10
Wood	mm	20
Weight	kg	1,9

## Protecting the environment



Separate collection. This product must not be disposed of with normal household waste.

Should you find one day that your Black & Decker product needs replacement, or if it is of no further use to you, do not dispose of it with household waste. Make this product available for separate collection.



Separate collection of used products and packaging allows materials to be recycled and used again. Reuse of recycled materials helps prevent environmental pollution and reduces the demand for raw materials.

Local regulations may provide for separate collection of electrical products from the household, at municipal waste sites or by the retailer when you purchase a new product.

Black & Decker provides a facility for the collection and recycling of Black & Decker products once they have reached the end of their working life. To take advantage of this service please return your product to any authorised repair agent who will collect them on our behalf.

You can check the location of your nearest authorised repair agent by contacting your local Black & Decker office at the address indicated in this manual. Alternatively, a list of authorised Black & Decker repair agents and full details of our after-sales service and contacts are available on the Internet at: [www.2helpU.com](http://www.2helpU.com).

## Service information

Black & Decker offers a full network of company-owned and authorized service locations. All Black & Decker Service Centers are staffed with trained personnel to provide customers with efficient and reliable power tool service. For more information about our authorized service centers and if you need technical advice, repair, or genuine factory replacement parts, contact the Black & Decker location nearest you, or visit us at [www.BlackandDecker-la.com](http://www.BlackandDecker-la.com)

## Guarantee

Black & Decker is confident of the quality of its products and offers an outstanding guarantee. This guarantee statement is in addition to and in no way prejudices your statutory rights. The guarantee is valid within the territories of the Member States of the European Union and the European Free Trade Area.

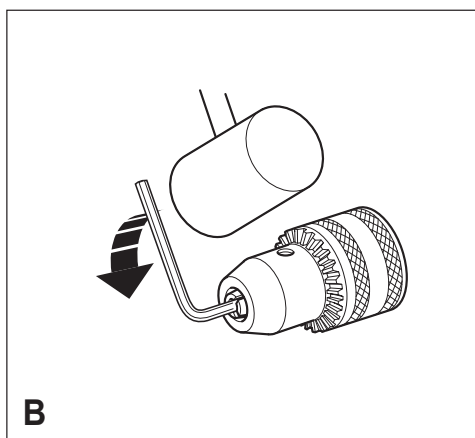
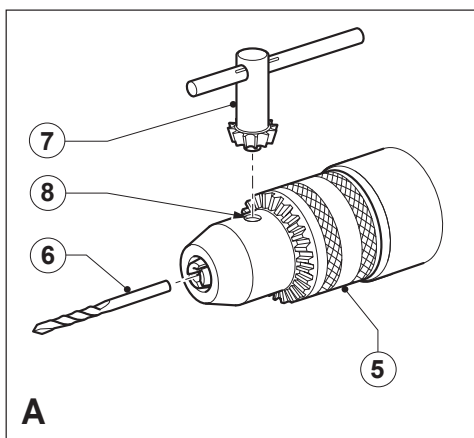
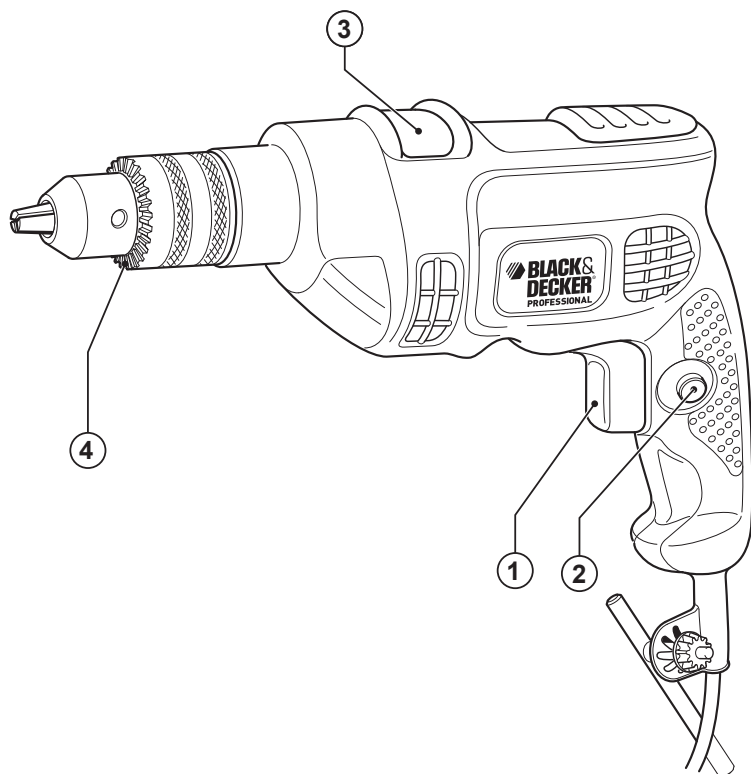
If a Black & Decker product becomes defective due to faulty materials, workmanship or lack of conformity, within 12 months from the date of purchase, Black & Decker guarantees to replace defective parts, repair products subjected to fair wear and tear or replace such products to make sure of the minimum inconvenience to the customer unless:

- The product has been used for trade, professional or hire purposes.
- The product has been subjected to misuse or neglect.
- The product has sustained damage through foreign objects, substances or accidents.
- Repairs have been attempted by persons other than authorised repair agents or Black & Decker service staff.

To claim on the guarantee, you will need to submit proof of purchase to the seller or an authorised repair agent. You can check the location of your nearest authorised repair agent by contacting your local Black & Decker office at the address indicated in this manual. Alternatively, a list of authorised Black & Decker repair agents and full details of our aftersales service and contacts are available on the Internet at:

**[www.2helpU.com](http://www.2helpU.com)**

Please visit our website **[www.blackanddecker.co.uk](http://www.blackanddecker.co.uk)** to register your new Black & Decker product and to be kept up to date on new products and special offers. Further information on the Black & Decker brand and our range of products is available at **[www.blackanddecker.co.uk](http://www.blackanddecker.co.uk)**.





## Utilisation prévue

Votre marteau perforateur Black & Decker a été conçu pour percer le bois, le métal, le plastique et la maçonnerie, ainsi que pour fonctionner comme visseuse-dévisseuse.

## Consignes générales de sécurité

**Attention!** Lisez toutes les instructions. Le non-respect des instructions indiquées ci-dessous peut entraîner un choc électrique, un incendie et/ou des blessures graves. Le terme "outil électrique" mentionné dans les avertissements se rapporte à des outils électriques raccordés au secteur (avec câble) ou fonctionnant sur piles (sans fil). GARDEZ CES CONSIGNES DE SECURITE.

1. **Sécurité de la zone de travail**
    - a. **Maintenez la zone de travail propre et bien éclairée.**  
Un lieu de travail en désordre ou mal éclairé augmente le risque d'accidents.
    - b. **N'utilisez pas les outils électroportatifs dans un environnement présentant des risques d'explosion ni en présence de liquides, gaz ou poussières inflammables.** Les outils électroportatifs génèrent des étincelles risquant d'enflammer les poussières ou les vapeurs.
    - c. **Pendant l'utilisation d'un outil électroportatif, les enfants et autres personnes doivent rester éloignés.** En cas d'inattention, vous risquez de perdre le contrôle de l'outil.
  2. **Sécurité électrique**
    - a. **La prise de l'outil électroportatif doit convenir à la prise de courant. Ne modifiez en aucun cas la prise. N'utilisez pas de prises d'adaptateur avec des appareils ayant une prise de terre.** Le respect de ces consignes réduit le risque de choc électrique.
    - b. **Évitez le contact physique avec des surfaces mises à la terre telles que tuyaux, radiateurs, fours et réfrigérateurs.** Le risque de choc électrique augmente si votre corps est relié à la terre.
    - c. **N'exposez pas l'outil électroportatif à la pluie ni à l'humidité.** La pénétration d'eau dans un outil électroportatif augmente le risque de choc électrique.
    - d. **Préservez le câble d'alimentation. N'utilisez pas le câble pour porter l'outil, pour l'accrocher ou encore pour le débrancher. Maintenez le câble éloigné des sources de chaleurs, des parties huilées, des bords tranchants ou des parties de l'appareil en rotation.** Le risque de choc électrique augmente si les câbles sont endommagés ou emmêlés.
  - e. **Si vous utilisez l'outil électroportatif à l'extérieur, utilisez une rallonge homologuée pour utilisation à l'air libre.** L'utilisation d'une rallonge électrique homologuée pour les travaux à l'extérieur réduit le risque de choc électrique.
3. **Sécurité personnelle**
    - a. **Restez vigilant, surveillez ce que vous faites. Faites preuve de bon sens quand vous utilisez un outil électroportatif. N'utilisez pas l'outil lorsque vous êtes fatigué ou après avoir consommé de l'alcool ainsi que des médicaments. Un moment d'inattention lors de l'utilisation de l'outil peut entraîner de graves blessures.**
    - b. **Portez un équipement de protection. Portez toujours des lunettes de protection.** Selon le travail à effectuer, le port d'équipement de protection tels que masque anti-poussières, chaussures de sécurité antidérapantes, casque ou protection auditive, réduit le risque de blessures.
    - c. **Évitez tout démarrage intempestif. Avant de brancher l'outil, vérifiez que l'interrupteur est sur la position d'arrêt (off).** Transporter ou brancher un outil électrique avec l'interrupteur en position marche est une invite à l'accident.
    - d. **Retirez tout outil ou clé de réglage avant de mettre l'outil en marche.** Une clé ou un outil se trouvant sur une partie en rotation peut causer des blessures.
    - e. **Adoptez une position confortable. Adoptez une position stable et gardez votre équilibre en permanence.** Vous contrôlerez ainsi mieux l'outil dans des situations inattendues.
    - f. **Portez des vêtements appropriés. Ne pas porter de vêtements flottants ou de bijoux. N'approchez pas les cheveux, vêtements ou gants des parties des pièces mobiles.** Les vêtements amples, les bijoux ou les cheveux longs peuvent être attrapés dans les pièces en mouvement.
    - g. **En cas d'utilisation d'appareils servant à aspirer ou à recueillir les poussières, assurez-vous qu'ils sont correctement raccordés et utilisés.** L'utilisation de tels appareils permet de réduire les dangers liés aux poussières.
  4. **Utilisation des outils électroportatifs et précautions**
    - a. **Respectez la capacité de l'outil. Utilisez l'outil électroportatif approprié pour le travail à effectuer.** Avec un outil approprié, vous travaillerez mieux et en toute sécurité.

- b. **N'utilisez pas un outil électroportatif dont l'interrupteur marche/arrêt est défectueux.** Un outil électroportatif qui ne peut plus être mis en marche ou arrêter est dangereux et doit être réparé.
  - c. **Retirez la prise de courant et/ou débranchez le blocbatterie avant d'effectuer des réglages, de changer les accessoires ou de ranger l'outil.** Cette mesure de précaution empêche de mettre l'outil en marche accidentellement.
  - d. **Rangez les outils électroportatifs hors de portée des enfants. Les personnes ne connaissant pas l'outil ou n'ayant pas lu ces instructions ne doivent en aucun cas l'utiliser.** Les outils électroportatifs sont dangereux lorsqu'ils sont utilisés par des personnes non initiées.
  - e. **Prenez soin des outils électroportatifs. Vérifiez que les parties en mouvement fonctionnent correctement et qu'elles ne sont pas coincées. Vérifiez qu'il n'y a pas de pièces cassées ou endommagées susceptibles de nuire au bon fonctionnement de l'outil. S'il est endommagé, faites réparer l'outil avant de l'utiliser.** De nombreux accidents sont la conséquence d'outils mal entretenus.
  - f. **Maintenez les outils de coupe aiguisés et propres.** Des outils soigneusement entretenus avec des bords tranchants bien aiguisés se coincent moins souvent et peuvent être guidés plus facilement. L'utilisation des outils électroportatifs à d'autres fins que celles prévues peut entraîner des situations dangereuses.
  - g. **Utilisez les outils électroportatifs, les accessoires, etc. en suivant ces instructions et en tenant compte des conditions de travail, ainsi que du travail à effectuer.** L'utilisation des outils électroportatifs à d'autres fins que celles prévues peut vous mettre en situation dangereuse.
- 5. Réparations**
- a. **Faites réparer votre outil électroportatif uniquement par du personnel qualifié et seulement avec des pièces de rechange appropriées.** La fiabilité de l'outil sera ainsi maintenue.

## 6. Etiquettes apposées sur l'outil



Cet outil est doublement isolé; par conséquent, aucun câble de mise à la terre n'est nécessaire.

Vérifiez bien que la tension secteur correspond à celle indiquée sur la plaque signalétique.

- Cet appareil n'est pas destiné à être utilisé par des jeunes personnes ou des personnes infirmes sans supervision. Ne laissez pas les enfants sans surveillance pour éviter qu'ils ne jouent avec l'appareil.
- Si le câble d'alimentation est endommagé, il doit être remplacé par le fabricant, par un centre de réparation Black & Decker agréé ou par un technicien qualifié, de façon à éviter les dommages matériels et corporels. En cas de remplacement du câble d'alimentation par un technicien qualifié mais non agréé par Black & Decker, la garantie ne sera pas valable.

## Consignes de sécurité supplémentaires pour les marteaux perforateurs

- **Portez une protection auditive avec les perceuses à percussion.** L'exposition au bruit peut contribuer à la perte d'audition.
- **Pendant le fonctionnement, tenez l'outil au niveau des surfaces de prise isolées. En effet, l'accessoire de coupe peut entrer en contact avec des fils électriques cachés ou le câble de l'outil.** En cas de contact avec un fil sous tension, la charge électrique est transmise dans les pièces métalliques de l'outil et il y a risque de choc électrique.
- **Immobilisez la pièce sur une surface stable au moyen de brides ou de toute autre façon adéquate.** Tenir la pièce d'une main ou contre son corps la rend instable et cela risque d'entraîner une perte de contrôle.
- Avant de percer les murs, les planchers ou les plafonds, vérifiez l'emplacement des fils électriques et des conduites.
- Évitez de toucher la pointe d'un foret juste après le perçage, car il peut être chaud.

## Description

L'outil comprend toutes ou certaines des caractéristiques suivantes:

1. Interrupteur Marche/Arrêt
2. Bouton de verrouillage
3. Sélecteur de mode de perçage
4. Mandrin

## Assemblage

**Attention!** Avant l'assemblage, assurez-vous que l'outil est éteint et débranché.

### Installation d'un foret ou d'un embout de tournevis mandrin avec clé (fig. A)

- Ouvrez le mandrin en tournant le collet (5) dans le sens antihoraire.
- Insérez la tige du foret (6) dans le mandrin.
- Insérez la clé de serrage (7) dans chacun des trous (8) situés sur le côté du mandrin et serrez fermement dans le sens horaire.

### Enlever et replacer le mandrin (fig. B)

- Ouvrez le mandrin au maximum.
- Enlevez la vis de fixation du mandrin, située sur le mandrin en la tournant dans le sens horaire à l'aide d'un tournevis.
- Placez une clé Allen dans le mandrin et frappez la avec un marteau comme illustré.
- Enlevez la clé Allen.
- Enlevez le mandrin en le tournant dans le sens antihoraire.
- Pour replacer le mandrin, vissez-le sur la broche et serrez-le avec la vis de serrage.

## Utilisation

**Attention!** Laissez l'outil fonctionner à sa propre vitesse. Ne le surchargez pas.

**Attention!** Avant de percer les murs, les planchers ou les plafonds, vérifiez l'emplacement des fils électriques et des conduites.

## Sélection du sens de rotation

Pour le perçage et le vissage, utilisez la rotation vers l'avant (sens horaire). Pour desserrer les vis ou enlevez un foret de perçage coincé, utilisez la rotation vers l'arrière (sens antihoraire).

- Pour sélectionner la rotation vers l'avant, poussez le curseur avant/arrière en position point mort.
- Pour sélectionner la rotation vers l'arrière, poussez le curseur avant/arrière sur la gauche.

**Attention!** Ne changez jamais le sens de la rotation lorsque le moteur tourne.

## Sélection du mode de perçage

- Pour le perçage dans la maçonnerie, réglez le sélecteur de mode de perçage (3) en **T** position.
- Pour le perçage dans d'autres matériaux et le vissage, réglez le sélecteur de mode de perçage en **A** position.

## Démarrage et arrêt

Pour mettre l'outil en marche, appuyez sur l'interrupteur (1). Pour les interrupteurs de vitesse variable, la vitesse de l'outil dépend de la force que vous exercez sur l'interrupteur. En règle générale, utilisez une vitesse lente pour les forets de gros diamètres et une vitesse rapide pour les forets de petits diamètres.

- Pour un fonctionnement en continu, appuyez sur le bouton de verrouillage (2) et relâchez l'interrupteur. Cette option n'est disponible qu'en vitesse maximale. Cette option n'existe pas en mode de rotation vers l'arrière.
- Pour éteindre l'outil, relâchez l'interrupteur. Pour éteindre l'outil lorsqu'il est en fonctionnement continu, appuyez sur l'interrupteur une fois de plus et relâchez-le.

## Accessoires

La performance de votre outil dépend de l'accessoire utilisé. Les accessoires Black & Decker sont conçus selon des normes de qualité supérieure pour améliorer les performances de votre outil. En utilisant ces accessoires vous obtiendrez le meilleur de votre outil.

## Entretien

Votre outil a été conçu pour fonctionner sur une longue période de temps avec un minimum d'entretien. Un fonctionnement continu satisfaisant dépend d'un nettoyage et d'un entretien soigneux et régulier.

**Attention !** Avant toute activité d'entretien sur les outils électriques avec/sans fil:

- Nettoyez régulièrement les fentes de ventilation de votre outil/appareil/chargeur à l'aide d'une brosse douce ou d'un chiffon sec.
- Nettoyez régulièrement le carter moteur à l'aide d'un chiffon humide. N'utilisez pas de produit abrasif ou à base de solvant.

## Service

Black & Decker offre un large réseau de centres de service appartenant à la société ou agréés. Tous les centres Black & Decker sont dotés de personnel qualifié pour assurer aux clients une qualité et une fiabilité de service dans la réparation de leurs outils électriques. Que vous ayez besoin de conseils techniques, de réparations ou de pièces de rechange d'origine, il suffit de contacter le centre Black & Decker le plus proche.

## Données techniques

BPDH5510		
Tension	$V_{ac}$	
B5,B9		220-240 V ~ 50/60 Hz
Puissance nominale	W	500
Vitesse à vide	/min	2800
Capacité max. de perçage		
Acier/béton	mm	10
Bois	mm	20
Poids	kg	1,9

## Protection de l'environnement



Recyclage. Cet appareil ne doit pas être jeté avec les déchets ménagers.

Si votre appareil Black & Decker doit être remplacé ou si vous n'en avez plus l'usage, ne le jetez pas avec les ordures ménagères. Songez à la protection de l'environnement et recyclez-les.



La collecte séparée des produits et des emballages usagés permet de recycler et de réutiliser des matériaux. La réutilisation de matériaux recyclés évite la pollution de l'environnement et réduit la demande de matières premières.

Des réglementations locales peuvent stipuler la collecte séparée des produits électriques et des produits ménagers, dans des déchetteries municipales ou par le revendeur lorsque vous achetez un nouveau produit.

Black & Decker offre une solution permettant de recycler les produits Black & Decker lorsqu'ils ont atteint la fin de leur cycle de vie. Pour pouvoir profiter de ce service, veuillez retourner votre produit à un réparateur agréé qui se chargera de le collecter pour nous.

Pour connaître l'adresse du réparateur agréé le plus proche de chez vous, contactez le bureau Black & Decker à l'adresse indiquée dans ce manuel. Vous pourrez aussi trouver une liste de réparateurs agréés de Black & Decker et de plus amples détails sur notre service après-vente sur le site Internet à l'adresse suivante : [www.2helpU.com](http://www.2helpU.com).

## Informations sur le service après-vente

Black & Decker offre un large réseau de centres de service Black & Decker ou agréés partout en Asie. Tous les centres de services Black & Decker sont dotés d'un personnel qualifié afin de garantir aux clients une qualité et une fiabilité de service dans la réparation de leurs outils. Que vous ayez besoin de conseils techniques, de réparation ou de pièces de rechange d'origine, il suffit de contacter le centre Black & Decker le plus proche.

## Garantie

Black & Decker vous assure la qualité de ses produits et vous offre une garantie très étendue.

Ce certificat de garantie est un document supplémentaire et ne peut en aucun cas se substituer à vos droits légaux.

La garantie est valable sur tout le territoire des États Membres de l'Union Européenne et de la Zone de Libre Échange Européenne.

Si un produit Black & Decker s'avère défectueux en raison de matériaux en mauvais état, d'une erreur humaine, ou d'un manque de conformité dans les 12 mois suivant la date d'achat, Black & Decker garantit le remplacement des pièces défectueuses, la réparation des produits usés ou cassés ou remplace ces produits à la convenance du client, sauf dans les circonstances suivantes :

- Le produit a été utilisé dans un but commercial, professionnel, ou a été loué.
- Le produit a été mal utilisé ou avec négligence.
- Le produit a subi des dommages à cause de corps étrangers, de substances ou d'accidents.
- Des réparations ont été tentées par des techniciens ne faisant pas partie du service technique de Black & Decker.

Pour avoir recours à la garantie, il est nécessaire de fournir une preuve d'achat au vendeur ou à un réparateur agréé.

Pour connaître l'adresse du réparateur agréé le plus proche de chez vous, contactez le bureau Black & Decker à l'adresse indiquée dans ce manuel. Vous pourrez aussi trouver une liste de réparateurs agréés de Black & Decker et de plus amples détails sur notre service après-vente sur le site Internet à l'adresse suivante : [www.2helpU.com](http://www.2helpU.com)

Visitez notre site Web [www.blackanddecker.eu](http://www.blackanddecker.eu) pour enregistrer votre nouveau produit Black & Decker et être informé des nouveaux produits et des offres spéciales. Pour plus d'informations concernant la marque Black & Decker et notre gamme de produits, consultez notre site [www.blackanddecker.eu](http://www.blackanddecker.eu).

## حماية البيئة



تجميع منفصل. يجب عدم إلقاء هذا المنتج مع المخلفات المنزلية.

تتفق بلاك أند ديكر بجودة منتجاتها وتقدم ضماناً مميزاً. ويكون بيان الضمان هذا بالإضافة ولا يقل بأي حال من الأحوال بالحقوق القانونية. ويسري هذا الضمان داخل إقليم الدول الأعضاء في الإتحاد الأوروبي ومنطقة التجارة الحرة الأوروبية.

إذا أصبح منتج بلاك أند ديكر معيباً بسبب عيوب المواد والصناعة وعدم المطابقة، تضمن بلاك أند ديكر في غضون 12 شهراً من تاريخ الشراء استبدال الأجزاء المعيبة وإصلاح المنتجات مع مراعاة البلي بالاستخدام العادي أو استبدال هذه المنتجات للتأكد من رضا العملاء ما لم:

- ◀ تم استخدام المنتج لأغراض تجارية أو مهنية أو للتأجير.
- ◀ إهمال أو إساءة استخدام المنتج.
- ◀ تعرض المنتج لتلف بسبب مواد أو أغراض غريبة أو الحوادث.
- ◀ محاولة إجراء عمليات الإصلاح من قبل الأشخاص الآخرين بخلاف وكلاء الإصلاح المصرح بهم أو فريق الخدمة التابع لبلاك أند ديكر.

للمطالبة بالضمان، يجب تقديم إثبات الشراء للبائع أو وكيل البيع المعتمد. ويمكنك معرفة مكان أقرب وكيل إصلاح معتمد بمراجعة مكتب بلاك أند ديكر المحلي في العنوان المشار إليه في الدليل. كما تتوفر قائمة بوكلاء الإصلاح المعتمدين لدى بلاك أند ديكر وبيانات خدمات ما بعد البيع والاتصال على الموقع الإلكتروني:

[www.2helpU.com](http://www.2helpU.com)

يرجى مراجعة موقعنا الإلكتروني [www.blackanddecker.co.uk](http://www.blackanddecker.co.uk) لتسجيل منتجك الجديد من بلاك أند ديكر ولمعرفة أحدث المنتجات والعروض الخاصة. وللحصول على المزيد من المعلومات حول علامة بلاك أند ديكر ومنتجاتنا، يرجى زيارة [www.blackanddecker.co.uk](http://www.blackanddecker.co.uk)



يمكن التجميع المنفصل للمنتجات والعبوات المستخدمة من إعادة تدوير المواد واستخدامها مرة أخرى، إذ يساعد إعادة

استخدام المواد المعاد تدويرها على منع التلوث البيئي وخفض الطلب على المواد الخام

قد تنص التشريعات المحلية على تجميع منفصل للمنتجات الكهربائية عن المخلفات المنزلية في مواقع مخلفات البلدية أو تاجر التجزئة عند شراء منتج جديد.

توفر بلاك أند ديكر منشأة لتجميع وإعادة تدوير منتجات بلاك أند ديكر عند وصول تلك المنتجات لنهاية عمرها النافع. وللاستفادة من هذه الخدمة، يرجى إعادة المنتج إلى أي وكيل إصلاح معتمد الذي سيقوم بتجميع المنتجات نيابة عنا.

يمكنك معرفة مكان أقرب وكيل إصلاح معتمد بمراجعة مكتب بلاك أند ديكر المحلي في العنوان المشار إليه في الدليل. كما تتوفر قائمة بوكلاء الإصلاح المعتمدين لدى بلاك أند ديكر وبيانات خدمات ما بعد البيع والاتصال على الموقع الإلكتروني: [www.2helpU.com](http://www.2helpU.com).

## معلومات الخدمة

توفر بلاك أند ديكر شبكة كاملة من مراكز الخدمة المعتمدة والمملوكة للشركة في جميع أرجاء آسيا. ويعمل في جميع مراكز الخدمة التابعة لبلاك أند ديكر أفراد مؤهلون على تقديم خدمة فعالة وجديرة بالثقة لجميع الأجهزة بما يحقق رضا العملاء. فإذا كنت ترغب في الحصول على مشورة فنية أو إصلاح الأجهزة أو الحصول على قطع غيار أصلية، ما عليك سوى الاتصال بأقرب مركز خدمة لبلاك أند ديكر.

## الملحقات

يعتمد أداء جهازك على الملحقات المستخدمة. وتم تصميم ملحقات بلاك أند ديكر وبيراننا بجودة عالية بغرض تحسين أداء جهازك. وباستخدام تلك الملحقات، ستتمكن من الحصول على الأداء الأمثل للجهاز.

## الصيانة

تم تصميم الجهاز للعمل لفترة طويلة من الوقت دون إجراء الكثير من الصيانة عليه. ويعتمد التشغيل المرضي المستمر على العناية المناسبة بالجهاز والتنظيف الدوري.

تحذيراً قبل إجراء أي صيانة، قم بإيقاف تشغيل وفصل الجهاز.

- قم بتنظيف فتحات التهوية في الجهاز باستمرار باستخدام فرشاة ناعمة أو قطعة قماش جافة.
- قم بتنظيف تبييتة المحرك باستمرار باستخدام قطعة قماش رطبة. ولا تستخدم أي مادة كاشطة أو منظف مصنوع من مادة مذيبيبة.

## معلومات الخدمة

يوفر بلاك أند ديكر شبكة كاملة من مراكز الخدمة المعتمدة المملوكة للشركة. تضم كافة مراكز الخدمة التابعة لبلاك أند ديكر عمالاً مدربين لتزويد العملاء بالصيانة الفعالة والموثوقة للأدوات الكهربائية. سواء كنت بحاجة إلى استشارة فنية أو إصلاح أو أجزاء بديلة أصلية، اتصل بموقع بلاك أند ديكر الأقرب لك.

BPDH5510		
الجهد الكهربائي	فولط تيار مستمر	٢٢٠-٢٤٠ ~ ٧ ٦٠/٥٠ Hz
شدة التيار الكهربائي الداخل	وايط	٥٠٠
السرعة بدون حمل	دورة في الدقيقة	٢٨٠٠
أقصى عمق للتقب		
الفولاذ / الفرسانة	ملم	١٠
الخشب	ملم	٢٠
الوزن	كجم	١,٩

تحذيراً: تحقق من أماكن الأسلاك والأنابيب قبل ثقب الجدران أو الأرضيات أو السقف.

### الخصائص

يحتوي هذا الجهاز على كل أو بعض الخصائص التالية:

• للثقب وتثبيت البراغي، استخدم الدوران للأمام (اتجاه عقارب الساعة).  
• ولفك البراغي أو إزالة مسامير الثقب المعوق حركتها، استخدم الدوران للخلف (عكس اتجاه عقارب الساعة).

١. مفتاح تشغيل/إيقاف

٢. زر إغلاق

٣. أداة انتقاء وضع التشغيل

٤. ظرف

### التجميع

تحذيراً: قبل التجميع، تحقق من إيقاف تشغيل الجهاز وفصله من المقبس.

تركيب لقمة المقدح أو ظرف بمفاتيح تلائم لقمة مفك البراغي (الشكل أ)

• افتح الظرف من خلال لف الطرف (٥) بعكس اتجاه عقارب الساعة.

• أدخل عمود دوران اللقمة (٦) في الظرف.

• أدخل مفتاح الظرف (٧) في كل فتحة (٨) في جانب الظرف وقم

باللف باتجاه عقارب الساعة إلى أن يتم إحكام الربط.

### إزالة الظرف وإعادة تركيبه (الشكل ب)

• افتح الظرف بأوسع درجة ممكنة.

• قم بإزالة برغي تثبيت الظرف، الموجود في الظرف، من خلال لفة باتجاه عقارب الساعة باستخدام مفك براغي.

• اربط المفتاح أليين في الظرف واطرق عليه بمطرقة كما هو موضح.

• قم بإزالة المفتاح أليين.

• قم بإزالة الظرف من خلال لفة بعكس اتجاه عقارب الساعة.

• لإعادة تركيب الظرف، اربطه ببرغي في عمود الدوران وقم بتثبيتته ببرغي تثبيت الظرف.

### الاستخدام

تحذيراً: دع الجهاز يعمل بالسرعة المحددة له، ولا تفرط في زيادته سرعته.

• لاختيار الدوران الأمامي، ادفع زر الدوران للأمام / للخلف ناحية المنتصف.

• لاختيار الدوران الخلفي، ادفع زر الدوران للأمام / للخلف ناحية اليسار.

تحذيراً: لا تبدل اتجاه الدوران أثناء تشغيل المحرك.

### تحديد نمط الثقب

• للثقب في الخرسانة والحجارة، اضبط محدد نمط الثقب (٣) على الوضع المخصص لذلك T.

• للثقب في المواد الأخرى وتركيب البراغي، اضبط محدد نمط الثقب على الوضع المخصص لذلك 2.

### التشغيل وإيقاف التشغيل

لتشغيل الجهاز، اضغط على مفتاح تبديل السرعة (١). تعتمد سرعة الجهاز

على مدى ضغطك على المفتاح إذا كان الجهاز مزوداً بمفتاح تبديل سرعة متغير. وكقاعدة عامة، استخدم سرعات منخفضة عند استخدام لقم ثقب

ذات قطر كبير واستخدم سرعات عالية عند استخدام لقم ثقب ذات قطر أصغر.

• للتشغيل المتواصل، اضغط على زر تثبيت السرعة (٢) وحرر مفتاح تبديل السرعة. يتوفر هذا الخيار فقط عند التشغيل بسرعة كاملة. ولا يعمل هذا الخيار في نمط الدوران للخلف.

• لإيقاف تشغيل الجهاز، حرر مفتاح تبديل السرعة. وإيقاف تشغيل الجهاز إذا كان في وضع التشغيل المستمر، اضغط على مفتاح تبديل السرعة مرة أخرى وحرره.



## ٦ العلامات على الجهاز



هذا الجهاز مزدوج العزل: لذا ليست هناك حاجة إلى سلك أرضي. ولكن يجب عليك دوماً التحقق من مطابقة الجهد

الكهربي للأسلاك الرئيسية للجهد الكهربي الموجود على لوحة التصنيف.

- هذا الجهاز غير مخصص للاستخدام من قبل صغار السن أو ذوي الإعاقة دون إشراف. وبالتالي يجب مراقبة الأطفال لضمان عدم العبث بالجهاز.

- في حالة تلف كابل الطاقة، يجب استبداله بواسطة الشركة المصنعة أو مركز خدمة معتمد من بلاك أند ديكر أو شخص مؤهل للقيام بذلك لتجنب الضرر أو الإصابة. وفي حالة استبدال كابل الطاقة بواسطة شخص مؤهل ولكنه غير معتمد من بلاك أند ديكر، فسوف يبطل الضمان.

### تعليمات إضافية للسلامة بخصوص استخدام المقدمح المطرقة

- ارتد واقيات الأذن أثناء استخدام المقدمح المطرقة. فقد يؤدي التعرض إلى الإضرار بالسمع.
- امسك الجهاز بواسطة أسطح إمساك معزولة فقط عند العمل بالجهاز في أماكن احتمال تلامس القاطع مع أسلاك مخفية أو سلك الجهاز نفسه. واعلم بأن ملامسة الأسلاك "التي يسري بها التيار" قد توصل التيار إلى الأجزاء المعدنية المكشوفة، مما قد يعرض المشغل إلى مخاطر الإصابة بالصددمات الكهربائية.
- استخدم ملزمة أو أي طريقة عملية أخرى لوضع قطعة العمل وتثبيتها على سطح ثابت. إن إمساك قطعة العمل باليد أو وضعها مقابل الجسم يجعلها غير مستقرة وقد يؤدي إلى فقدان التحكم بها.
- قبل الحفر في الحوائط أو الأرضيات أو الأسقف، تحقق من موضع الأسلاك والأنابيب.

ب لا تستخدم الجهاز الكهربائي إذا كان مفتاح تشغيله تالفاً. إذ يمثل الجهاز الكهربائي الذي لا يمكن التحكم به بواسطة مفتاح التشغيل خطورة كبيرة ويجب تصليحه.

ج اسحب القابس من المقبس و/أو انزع البطارية قبل ضبط الجهاز أو استبدال الملحقات أو تخزين الأجهزة الكهربائية. وتمنع احتياطات السلامة الوقائية المذكورة من تشغيل العدة الكهربائية بشكل غير مقصود.

د احتفظ بالأجهزة الكهربائية غير المستخدمة بعيداً عن متناول الأطفال. ولا تسمح بتشغيلها من قبل الأشخاص الذين لا يجيدون استخدامها أو الذين لم يطلعوا على تلك التعليمات. إن أن الأجهزة الكهربائية قد تشكل خطورة كبيرة إذا تم تشغيلها من قبل أشخاص غير متدربين عليها.

ه حافظ على صيانة الأجهزة الكهربائية وافحصها للتأكد من أن الأجزاء الدوارة تعمل بشكل جيد وبأنه لا يتم عرقلة حركتها وللتعرف على وجود أية كسور فيها أو أي حالة أخرى قد تؤثر على تشغيل الأجهزة. فإذا تبين تلفها، يجب إصلاحها قبل الاستخدام. إن تقع العديد من الحوادث بسبب الصيانة الرديئة للأجهزة الكهربائية.

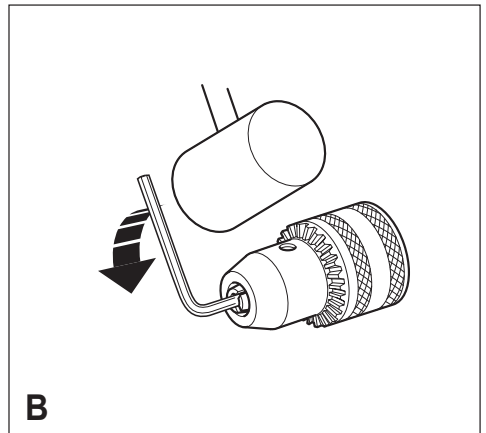
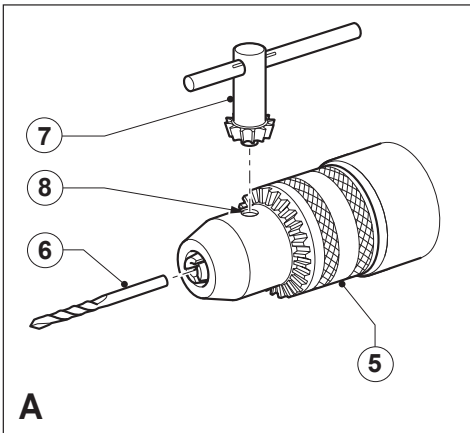
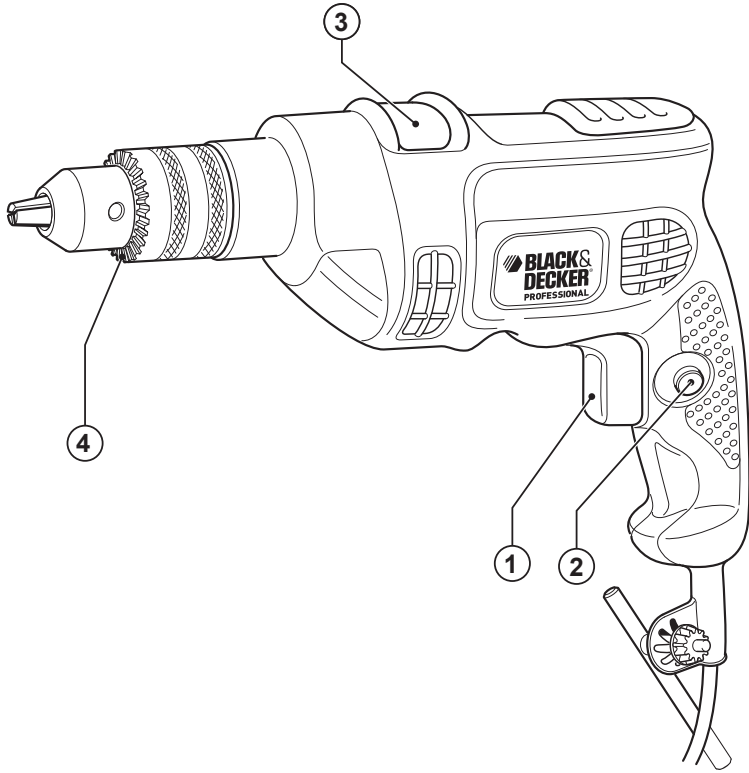
و احرص على أن تظل أدوات القطع حادة ونظافة. من النادر أن تتسبب أدوات القطع حادة الأطراف المحفوظة بشكل مناسب في إعاقة الحركة فضلاً عن سهولة التحكم فيها. وقد يؤدي استخدام الجهاز في عمليات غير المخصص لها إلى وقوع مخاطر.

ز استخدم الجهاز الكهربائي والملحقات وعدد الشغل وما إلى ذلك وفقاً لهذه التعليمات، مع الأخذ في الحسبان ظروف وطبيعة العمل المقرر تنفيذه. وقد يؤدي استخدام الجهاز الكهربائي لتنفيذ أعمال لم يخصص لأجلها الجهاز إلى التعرض لحالات خطيرة.

ه إصلاح الجهاز الكهربائي

أ لا تصلح جهازك الكهربائي إلا لدى وكيل الصيانة المؤهل باستخدام قطع الاستبدال المطابقة بما يضمن الحفاظ على سلامة الجهاز الكهربائي.

- ٥ لا تستخدم سوى كابلات التمديد المناسبة عند الاستخدام الخارجي للجهاز. إذ أن استخدام كابلات التمديد المناسبة يخفض من مخاطر التعرض للصدمة الكهربائية.
- ٣ السلامة الشخصية
- أ كن يقظاً وانتبه لما تفعله، وكن حذراً عند تشغيل الجهاز الكهربائي. ولا تستخدم الجهاز الكهربائي عند شعورك بالتعب أو عندما تكون تحت تأثير المخدرات أو الكحول أو الأدوية. إذ قد يؤدي عدم الانتباه للحظة واحدة عند استخدام الجهاز الكهربائي إلى التعرض لإصابة خطيرة.
- ب ارتد دائماً نظارات الوقاية ومعدات الحماية الشخصية مثل قناع الوقاية من الغبار وأحذية الأمان الواقية من الانزلاق والخوذ أو واقية الأذنين، إذ أن ارتداء المعدات المناسبة يقلل من خطر التعرض للإصابات.
- ج تجنب التشغيل العرضي. احرص على أن يكون مفتاح التشغيل في وضع الإيقاف قبل توصيل الجهاز. قد تقع حوادث نتيجة حمل الأدوات الكهربائية مع وضع الأصبع على مفتاح التشغيل أو توصيل الأدوات الكهربائية بالمقبس حينما يكون مفتاح التشغيل على وضع التشغيل.
- د انزع عدة الضغط أو مفتاح الربط قبل تشغيل الجهاز الكهربائي، إذ قد تؤدي العدة أو المفتاح المتواجد في جزء دوار من الجهاز إلى الإصابة بجروح.
- ٥ تجنب أوضاع الجسد غير الطبيعية. قف بأمان وحافظ على توازنك في جميع الأوقات مما يمكنك من السيطرة على الجهاز بشكل أفضل في المواقف غير المتوقعة.
- و ارتد ثياباً مناسبة، ولا ترتد الثياب الفضفاضة أو الحلي. حافظ على إبعاد الشعر والثياب الفضفاضة والقفازات عن الأجزاء المتحركة. إذ قد تتشابك الثياب الفضفاضة أو الحلي أو الشعر الطويل بالأجزاء المتحركة.
- ز إذا تم تجهيز الجهاز بملحقات لشفط وتجميع الغبار، تأكد من أنها متصلة بالجهاز ويأمنه يتم استخدامها بالشكل السليم. إذ أن استخدام هذه الملحقات قد يخفض من المخاطر الناتجة عن الغبار.
- ٤ استخدام الجهاز الكهربائي والعناية به
- أ لا تقرب في تحميل الجهاز. استخدم لتنفيذ أشغالك الجهاز المخصص لتنفيذ العمل بشكل أفضل وأكثر أماناً وفقاً لمعدل الأداء المحدد للاستخدام.
- غرض الاستخدام
- تم تصميم المقدم المطرقة بلاك أند ديكر للثقب في الأسطح الخشبية والبلاستيك والمعادن والمباني بالإضافة إلى أغراض إدخال البراغي.
- قواعد السلامة العامة
- تحذيراً اقرأ كافة التعليمات وافهمها جيداً. قد يؤدي عدم اتباع التعليمات الواردة أدناه إلى تعرضك لصدمة كهربية أو إلى حريق و/أو إصابة خطيرة. تشير كلمة "الجهاز الكهربائي" في كافة التحذيرات الواردة أدناه إلى الجهاز الكهربائي الذي يعمل (بأسلاك) بواسطة الموصلات الرئيسية أو الجهاز الكهربائي الذي يعمل (بدون أسلاك) بواسطة بطارية. احفظ هذه التعليمات
- ١ سلامة منطقة العمل
- أ يجب أن تكون منطقة العمل نظيفة ومضاءة جيداً. إذ تزيد مخاطر التعرض للحوادث في المناطق المظلمة أو غير المنظمة.
- ب لا تشغيل الأجهزة الكهربائية في الأجواء القابلة للانفجار كما في محيط الغبار أو السوائل أو الغازات القابلة للاشتعال، إذ ينجم عن استخدام الجهاز الكهربائي شظايا قد تتطاير ثم تشعل الغبار أو الأدخنة.
- ج يجب إبعاد الأطفال والمارة عن منطقة العمل أثناء تشغيل الجهاز الكهربائي، وانتبه فقد تؤدي عوامل صرف الانتباه إلى فقدان التحكم بتلك الأجهزة.
- ٢ السلامة الكهربائية
- أ يجب أن يتوافق قابس الجهاز الكهربائي مع المقبس. ويحظر تغيير القابس بأي حال من الأحوال أو استخدام أية قابس مهايئ مع الأجهزة الكهربائية التي لها طرف مؤرض (أرضي). ويخفض عدم تغيير القابس والمقابس المتجانسة من خطورة التعرض للصدمة الكهربائية.
- ب تجنب ملامسة السطوح المؤرضة كالأنابيب ورادياتر التدفئة والمدافئ والثلاجات، إذ تزداد خطورة التعرض للصدمة الكهربائية عندما يكون جسمك ملامساً للأرض.
- ج لا تعرض الأجهزة الكهربائية للمطر أو الرطوبة، علماً بأن تسرب المياه إلى داخل الجهاز الكهربائي يزيد خطورة التعرض للصدمة الكهربائية.
- د لا تقم بإسائة استخدام السلك، فلا تستخدمه أبداً لحمل الجهاز الكهربائي أو لجذبه أو لفصل القابس عن المقبس. واحتفظ بالسلك بعيداً عن مصادر الحرارة أو الزيت أو الأطراف الحادة أو الأجزاء المتحركة. ويزيد تشابك الأسلاك أو تلفها من خطورة التعرض للصدمة الكهربائية.







WARRANTY REGISTRATION CARD

YOUR NAME/ الإسم .....

YOUR ADDRESS العنوان .....

POSTCODE الرمز البريدي .....

DATE OF PURCHASE تاريخ الشراء .....

DEALER'S NAME & ADDRESS/ إسم و عنوان البائع .....

Empty rounded rectangular box for stamp or signature.

PRODUCT MODEL NO. BPDH5510



## Names & Addresses for Black & Decker Service Concessionaries

**ALGERIA:** Sarl Outillage Corporation, 08 Rue Med Boudiaf - Cheraga - Algiers, Algeria. Tel: (213-21) 375130, Fax: (213-21) 369667. **ANGOLA:** Angoferraria, Lda., Rua Robert Shields, No. 61, Luanda, Angola. Tel: 00244-222-395837 / 222-395034, Fax: 00244-222-394790. **AZERBAIJAN:** Royalton Holdings Ltd. 41 Khagani St. Apt. 47 AZ 1001, Baku. Tel: (994-12) 4935544, Fax: (994-12) 5980378. **BAHRAIN:** Kavalani & Sons W.L.L., P.O. Box 71, Sitra, Manama. Tel: (973) 17732888, Fax: (973) 17737379. Alfoz Services Co. W.L.L., P.O. Box 26562, Tubli, Manama. Tel: (973) 17783562, Fax: (973) 17783479. **EGYPT:** El Farab S.A.E., 15-Nabil El Wakkad Street, Dokki, Giza, Egypt. Tel: 00202-37603946 / 002-010-2582544, Fax: 00202-33352796. **ETHIOPIA:** Seif Tewfik Sherif, Arada Sub-City, Kebele 01/02, Global Insurance Building, 2nd Floor, Room 43, P.O. Box 2525, Addis Ababa, Ethiopia. Tel: (251-11) 1563968/ 1563969, Fax: (251-11) 1558009. **IRAQ:** Financial Links, Kazzaz Building Ararat Al-Hindia Block No: 629 Street: 31 Building No: 1 Baghdad - Iraq. Tel: 00964 (0)780 195 2223/ 00964 (0)781 3763044. Al Sard Co. for General Trading Ltd. Jbara Bldg. 3Flr, Al Rasheed St. Baghdad. Tel: (964) 18184102. Sakhar Group, Arrasat al-hindya Al Masbah, Bagdad. (964) 7400144446. **JORDAN:** Palestine Bldg. Matl. (Bashiti Hardware), 93 King Abdullah 2nd Street. Opp. ELBA House, P.O. Box 3005, Amman 11953, Tel: (962-6) 5349098, Fax: (962-6) 5330731. **KENYA:** Dextron Tools Ltd., P.O. Box 20121-00200, Shariff House, Kimathi Street, Nairobi. Tel: (254-20) 6950000/ 2358021, Fax: (254-20) 6905111/ 6905112. **KUWAIT:** Al Omar Technical Co., P.O. Box 4062, 13041 Safat, Kuwait. Tel: (965) 24848595/ 24840039, Fax: (965) 24845652. Fawaz Al Zayani Establishment, P.O. Box 42426, Shop No. 18, Al Humaizi Commercial Complex, Khalifa Al Jassim, Shuwaikh, Kuwait. Tel: (965) 24828710, Fax: (965) 24828716. Fawaz Al Zayani Establishment, P.O. Box 42426, Shop No.18, Al Humaizi Commercial Complex, Khalifa Al Jassim, Shuwaikh, Kuwait. Tel: (965) 24828710, Fax: (965) 24828716. Fawaz Al Zayani Establishment, Fahaheel Industrial Area, Main St., Sanaya, Kuwait. Tel: (965) 23925830, Fax: (965) 24828716. **LEBANON:** Est. Shaya & Azar S.A.R.L., Boulevard Jdeideh - Mar Takla - Bouchrieh. P.O. Box 90545 Jdeideh, Beirut - Lebanon. Tel: 00961 1 872305 / 306, Fax: 00961 1 872303. **LIBYA:** North Africa Trading ( El Ghoul Brothers), AlHilal Service Center Tawergha St. Misurata. Tel: 00218-091-3221408. (Benghazi) Sniydal st., Amr Ibn El-As Rd. Tel: (+218) 92 5771120. (Tripoli) Al Barniq Service Center, Mokhazin elskur st., EIFallah. Tel: (+218) 21 4808019. (Misrata) Al Hilal Service Center, Tawergha st. Tel: (+218) 51 2626743. **MAURITIUS:** Robert Le Marie Limited, Old Moka Road, Bell Village, P.O. Box 161, Port Louis. Tel: 00230-212 1865/ 212 2847, Fax: 00230-2080843. **MOROCCO:** Ets Louis Guillaud & Cie, 149, Quartier Industriel, Moulay Rachid, Casablanca, Postal Code 20450, Morocco. Tel: 00212-522729233, Fax: 00212-522729096. **NIGERIA:** Meridian Power Tools Ltd., Gr.Floor, #1 Alhaji Masha Rd, Next to Teslim Balogun Stadium, Near National Stadium Surulere, Lagos, Nigeria. Tel: 00234-1-7740341 / 7740410, Fax: 00234-1-7913798. **OMAN:** Al Jizzi Company LLC, P.O. Box 1704, PC 112 Ruwi, Oman. Tel: (968) 24832618/ 24835153, Fax: (968) 24831334/24836460. Al Hassan Technical & Construction Supplies Co. LLC, P.O. Box 1948, P.C. 112, Ruwi, Tel: (968) 24810575 / 24837054, Fax: (968) 24810287/ 24833080. Oman Hardware Co. LLC, P.O. Box 635, Ruwi Postal Code 112, Tel: (968) 24815131, Fax: (968) 24816491. Khimji Ramdas, P.O. Box 19, Post Code 100, Ghala, Muscat, Oman. Tel: (968) 24595906/ 907, Fax: (968) 24852752. Oman Marketing & Service Co. (Omasco), P.O. Box 2734, Behind Honda Showroom, Wattayah, Oman. Tel: (968) 24560232/ 24560255, Fax: (968) 24560993. Oman Marketing & Service Co. (Omasco), Al Ohi, Sohar, Oman. Tel: (968) 26846379, Fax: (968) 26846379. Oman Marketing & Service Co. (Omasco), Sanaya, Salalah, Oman. Tel: (968) 23212290, Fax: (968) 23210936. **PAKISTAN:** ZIT Co - Nasir & Bros., 2nd Floor, Qadri Center, Chok Dalgran Railway Road, Lahore, Pakistan. Tel: 0092 42 37670839, Fax: 0092 42 37652989. Ammar Service & Spares, 60-Bank Arcade, Serai Road, Karachi, Pakistan. Tel: (92-21) 32426905, Fax: (92-21) 32427214. **QATAR:** Teyseer Industrial Supplies & Services Co. W.L.L, 55, Al Wakalat St. (Between St. 18 & 19) Salwa Industrial Area, P.O. Box 40523 Doha, Qatar. Tel: (974) 44581536, Fax: (974) 44682024. Shaheen Electrical Works & Trading Co. W.L.L, Gate 34, St. 44 Industrial Area P.O. Box 9756, Doha. Tel: (974) 44600230 / 44600525, Fax: (974) 44601338. Al Muftah Service Centre, Al Wakrah Road, P.O. Box 875, Doha, Qatar. Tel: (974) 44650880/ 44650110/ 44446688, Fax: (974) 44441415 / 44662599. **SAUDI ARABIA: (Al Bahr)** Mohamed Ahmed Bin Afif Est., P.O. Box 530, Yanbu, Al Bahr. Tel: (966-4) 3222626/ 3228867, Fax: (966-4) 3222210. (Al Khobar) Fawaz Ibrahim Al Zayani Trading Est., P.O. Box 76026, Al Khobar # 31952, Tel: (966-3) 8140914, Fax: (966-3) 8140824. MSS (Al-Mojil Supply & Services) P.O. Box 450, Jubail 31951, Opp. Gulf Bridge Library & Riyadh House. Tel: (966-3) 3612850/ 3624487/ 3621729, Fax: (966-3) 3623589/ 3620783. (Dammam) MSS (Al-Mojil Supply & Services), P.O. Box 450, Jubail 31951, Opp. Gulf Bridge Library & Riyadh House. Tel: (966-3) 3612850 / 3624487 / +966-3-8335555, Fax: (966-3) 8336303. (Al Hassa) Mutawa Trading & Gen. Services, Maliki road Hafuf city, Al Hassa, KSA. Tel: (966-6) 502846275 (Jeddah) Al Bawardi Tools & Hardware, P.O. Box 16905, Jeddah 21474, Tel: (966-2) 6444547 / 6439035 / 6456095, Fax: (966-2) 6439024. EAC (Al Yousef Contg. & Trdg. Est.), P.O. Box 30377, Jeddah -21477, Tel: (966-2) 6519912, Fax: (966-2) 6511153. (Madina) Garziz Trading for Bldg Mat & Decoration, P.O. Box 3364, Madina. Tel: (966-4) 826 14 90 / 8227636, Fax: (966-4) 8265741. (Riyadh) Industrial Material Organization (IMO), P.O. Box 623, Rail Street, Riyadh. Tel: (966-1) 4028010 Ext 26 / 8001245757, Fax: (966-1) 4037970. Sultan Garment Factory (RSC), P.O. Box 29912, Riyadh 11467, KSA, Tel: (966-1) 4055148 / 4042889, Fax: (966-1) 4055148. Al Bawardi Tools & Hardware, P.O. Box 68, Riyadh 11411, Tel: (966-1) 4484999, Fax: (966-1) 4487877. (Yanbu) Fawaz Ibrahim Al Zayani, Opposite to Al Fouzan, Jeddah highway or King Abdul Aziz road, Yanbu. Tel: (966-4) 3960980, Fax: (966-4) 3961980. Mohamed Ahmed Bin Afif Est., P.O. Box 530, Yanbu, Al Bahr, Tel: (966-4) 3222626/ 3228867, Fax: (966-4) 3222210. **SOUTH AFRICA:** Stanley Black & Decker - RSA, 199 Winze Drive Stormill Exit 9 Rooodepoort. Tel: (2711) 472 0454, Fax: (2711) 472 0482. Trevco Power Tool Service 14 Steenbok Street, Koedoespoort, 0186, Pretoria, South Africa. Tel: (27-86) 1873826, Fax: (27-86) 5001771. **TANZANIA:** General Motors investment Ltd., P.O. Box 16541, 14 Nyerere Road, Vingunguti, Dar-es-Salaam. Tel: (255 22) 2862661/ 2865502, Fax: (255 22) 2862667. **TUNISIA:** Societe Tunisienne De Maintenance (STM), Rue de la Physique. Nouvelle Zone Industrielle Ben Arous., 2013 Ben Arous, Tunisia. Tel: (+216) 79 389687, Fax: (+216) 71 385154. **UAE: (Abu Dhabi)** Light House Electrical, P.O. Box 120, Abu Dhabi. Tel: (971-2) 6726131, Fax: (971-2) 6720667. Galaxy Equipment Trading, Madinat Zayed (Baada Zaid), Abu Dhabi P.C. 58910, Tel: (971-2) 8844279, Fax: (971-2) 8844297 (Ajman) Al Sukoon Gen. Trdg. Co. LLC, P.O. Box 2975, Ajman. Tel: (971-6) 7435725/ 7438317, Fax: (971-6) 7437350. Al Sukoon Gen. Trdg. Co. LLC, P.O. Box 2975, Ajman, Tel: (971-6) 7435725 / 7438317, Fax: (971-6) 7437350 (Al Ain) Zillion Equipment and Spare Parts Trading LLC, P.O. Box 19740, Opp. Bin Sadal/ Trimix Redymix Sanaiya, Al Ain. Tel: (971-4) 2821726/ 2176690, Fax: (971-3) 7216103. (Dubai) Black & Decker (Overseas) GmbH, P.O. Box 5420, Dubai. Tel: (971-4) 8127400/ 8127406, Fax: (971-4) 812822765. Ideal Star Workshop Expt. Trading LLC, P.O. Box 37116, Al Quoz, Dubai. Tel: (971-4) 3474160, Fax: (971-4) 3474157, Fine Tools, P.O. Box 30139, Al Quoz, Dubai. Tel: (971-4) 3385240, Fax: (971-4) 3385239. Alebrah Engineering Service, P.O. Box 78954, Al Qusais, Dubai. Tel: (971-4) 2850044, Fax: (971-4) 2844802. (Musaffah) Light House Electrical, P.O. Box 120, Abu Dhabi. Tel: (971-2) 5548315, Fax: (971-2) 5540461. (Sharjah) Mc Coy Middle East LLC, P.O. Box 25793, Sharjah. Tel: (971-6) 5395931, Fax: (971-6) 5395932. Burj Al Madeena, Industrial Area No.1, Opp. Pakistani Masjid, P.O. Box 37635, Sharjah. Tel: (971-6) 5337747, Fax: (971-6) 5337719. Burj Al Madeena., Industrial Area No 1, opp Pakistani Masjid P.O. Box 37635, Sharjah. Tel: (971-6) 5337747, Fax: (971-6) 5337719. (Ras Al Khaimah) Mc Coy Middle East LLC, P.O. Box 10584, Ras Al Khaimah. Tel: (971-7) 2277095, Fax: (971-7) 2277096. **UGANDA:** The Building Center (U) Ltd., 52 Station Road, Kitgum House, P.O. Box 7436, Kampala, Uganda. Tel: (256-41) 4234567/ 4259754, Fax: (256-41) 4234613. **YEMEN:** (Aden) Middle East Trad. Co. Ltd. (METCO), Mualla Dakka, Aden, Yemen. Tel: (967-2) 222670, Fax: (967-2) 222670. (Sana'a) Middle East Trad. Co. Ltd. (METCO), Hayel St. Sana'a, Yemen. Tel: (967-1) 204201, Fax: (967-1) 204204. (Taiz) Middle East Trading Co. (METCO), P.O. Box 12363, 5th Flr, Hayel Saeed Anam Bldg, Al-Mughamma St. Taiz, Yemen. Tel: (967-4) 213455, Fax: (967-4) 219869.