

FIG. A

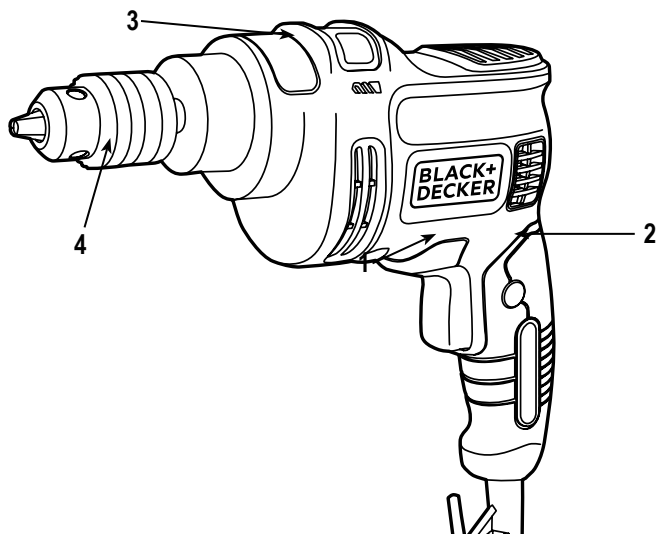


FIG. B

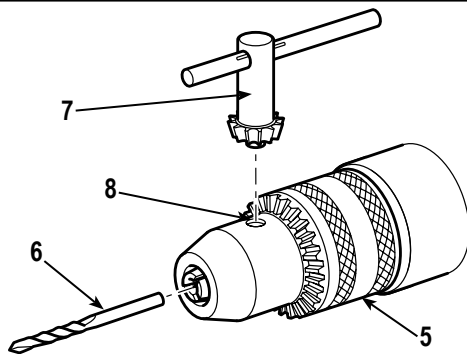
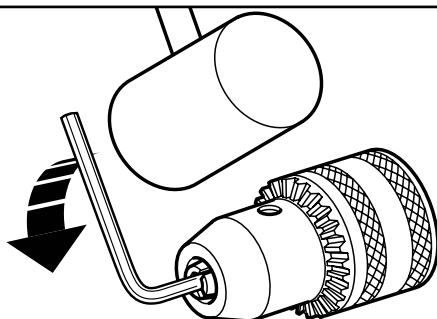


FIG. C



Intended use

Your BLACK+DECKER™ KR5010, KR5010V Impact Drill has been designed for drilling in wood, metal and concrete. This tool is intended for consumer use only

General safety rules

Warning! Read and understand all instructions. Failure to follow all instructions listed below, may result in electric shock, fire and/or serious personal injury, lesions graves.

Save these instructions

Safety instructions

General power tool safety warnings.



Warning! Read all safety warnings and all instructions. Failure to

follow the warnings and instructions listed below may result in electric shock, fire and/or serious injury.

Save all warnings and instructions for future reference. The term “power tool” in all of the warnings listed below refers to your mains operated (corded) power tool or battery operated (cordless) power tool.

1. Work area safety

- a. **Keep work area clean and well lit.**
Cluttered or dark areas invite accidents.
- b. **Do not operate power tools in explosive atmospheres, such as in the presence of flammable liquids, gases or dust.** Power tools create sparks which may ignite the dust or fumes.
- c. **Keep children and bystanders away while operating a power tool.**
Distractions can cause you to lose control.

2. Electrical safety

- a. **Power tool plugs must match the outlet. Never modify the plug in any way. Do not use any adapter plugs with earthed (grounded) power tools.** Unmodified plugs and matching outlets will reduce risk of electric shock.
- b. **Avoid body contact with earthed or grounded surfaces such as pipes, radiators, ranges and refrigerators.**
There is an increased risk of electric

shock if your body is earthed or grounded.

- c. **Do not expose power tools to rain or wet conditions.** Water entering a power tool will increase the risk of electric shock.
 - d. **Do not abuse the cord. Never use the cord for carrying, pulling or unplugging the power tool. Keep cord away from heat, oil, sharp edges or moving parts.** Damaged or entangled cords increase the risk of electric shock.
 - e. **When operating a power tool outdoors, use an extension cord suitable for outdoor use.** Use of a cord suitable for outdoor use reduces the risk of electric shock. **Note:** The term “Residual Current Device (RCD)” can be replaced by “Ground Fault Circuit Interrupter (GFCI)” or by “Earth Leakage Circuit Breaker (ELCB)”.
 - f. **If operating a power tool in a damp location is unavoidable, use a residual current device (RCD) protected supply.** Use of an RCD reduces the risk of electric shock.
- #### 3. Personal safety
- a. **Stay alert, watch what you are doing and use common sense when operating a power tool. Do not use a power tool while you are tired or under the influence of drugs, alcohol or medication.** A moment of inattention while operating power tools may result in serious personal injury.
 - b. **Use personal protective equipment. Always wear eye protection.** Protective equipment such as dust mask, non-skid safety shoes, hard hat, or hearing protection used for appropriate conditions will reduce personal injuries.
 - c. **Prevent unintentional starting. Ensure the switch is in the off-position before connecting to power source and/or battery pack, picking up or carrying the tool.** Carrying power tools with your finger on the switch or energising power tools that have the switch on invites accidents.
 - d. **Remove any adjusting key or wrench before turning the power tool on.** A wrench or a key left attached to a rotating part of the power tool may result in personal injury.

- e. **Do not overreach. Keep proper footing and balance at all times.** This enables better control of the power tool in unexpected situations.
- f. **Dress properly. Do not wear loose clothing or jewellery. Keep your hair, clothing and gloves away from moving parts.** Loose clothes, jewellery or long hair can be caught in moving parts.
- g. **If devices are provided for the connection of dust extraction and collection facilities, ensure these are connected and properly used.** Use of dust collection can reduce dust-related hazards.

4. Power tool use and care

- a. **Do not force the power tool. Use the correct power tool for your application.** The correct power tool will do the job better and safer at the rate for which it was designed.
- b. **Do not use the power tool if the switch does not turn it on and off.** Any power tool that cannot be controlled with the switch is dangerous and must be repaired.
- c. **Disconnect the plug from the power source and/or the battery pack from the power tool before making any adjustments, changing accessories, or storing power tools.** Such preventive safety measures reduce the risk of starting the power tool accidentally.
- d. **Store idle power tools out of the reach of children and do not allow persons unfamiliar with the power tool or these instructions to operate the power tool.** Power tools are dangerous in the hands of untrained users.
- e. **Maintain power tools. Check for misalignment or binding of moving parts, breakage of parts and any other condition that may affect the power tools operation. If damaged, have the power tool repaired before use.** Many accidents are caused by poorly maintained power tools.
- f. **Keep cutting tools sharp and clean.** Properly maintained cutting tools with sharp cutting edges are less likely to bind and are easier to control.
- g. **Use the power tool, accessories and tool bits etc., in accordance with these instructions, taking into account the working conditions and the work to be performed.** Use of the power tool for operations different from those intended could result in a hazardous situation.

5. Service

- a. **Have your power tool serviced by a qualified repair person using only identical replacement parts.** This will ensure that the safety of the power tool is maintained.

Additional safety instructions for hammer drill

- **Wear ear protectors with impact drills.** Exposure to noise can cause hearing loss.
- **Hold power tool by insulated gripping surfaces when performing an operation where the cutting tool may contact hidden wiring or its own cord.** Contact with a "live" wire will also make exposed metal parts of the power tool "live" and shock the operator.
- **Use clamps or another practical way to secure and support the workpiece to a stable platform.** Holding the work by hand or against your body leaves it unstable and may lead to loss of control.
- Before drilling into walls, floors or ceilings check for the location of wiring and pipes.
- Avoid touching the tip of a drill bit just after drilling, as it may be hot.

Vibration









The declared vibration emission values stated in the technical data and the declaration of conformity have been measured in accordance with a standard test method provided by EN 60745 and may be used for comparing one tool with another. The declared vibration emission value may also be used in a preliminary assessment of exposure.

Warning! The vibration emission value during actual use of the power tool can differ from the declared value depending on the ways in which the tool is used. The vibration level may increase above the level stated.

When assessing vibration exposure to determine safety measures required by 2002/44/EC to protect persons regularly using power tools in employment, an estimation of vibration exposure should consider, the actual conditions of use and the way the tool is used, including taking account of all parts of the operating cycle such as the times when the tool is switched off and when it is running idle in addition to the trigger time.

Labels on tool

The label on your tool may include the following symbols along with the date code:

	Read Instructions Manual	Hz Hertz		Class II Construction
	Use Eye Protection	W Watts		Earthing Terminal
	Use Ear Protection	min minutes		Safety Alert Symbol
V Volts		/min..	Revolutions or Recipro- cation per minute
A Amperes			n_0 No-Load Speed	

Position of date barcode

The Date Code, which also includes the year of manufacture, is printed into the housing. Example:

2014 XX JN
Year of manufacturing

Electrical safety



Your tool is double insulated; therefore no earth wire is required. Always check that the main voltage corresponds to the voltage on the rating plate.



Warning! If the power cord is damaged, it must be replaced by the manufacturer, authorized BLACK+DECKER Service Center or an equally qualified person in order to avoid damage or injury. If the power cord is replaced by an equally qualified person, but not authorized by BLACK+DECKER, the warranty will not be valid.

Features (Fig. A)

1. On/Off switch
2. Lock-on button

3. Drilling mode selector

4. Chuck

Assembly

Warning! Before assembly, make sure that the tool is switched off and unplugged.

Fitting a drill bit or screwdriver bit keyed chuck (Fig. B)

- Open the chuck by turning the sleeve (5) counterclockwise.
- Insert the bit shaft (6) into the chuck.
- Insert the chuck key (7) into each hole (8) in the side of the chuck and turn clockwise until tight.

Removing and refitting the chuck (Fig. C)

- Open the chuck as far as possible.
- Remove the chuck retaining screw, located in the chuck, by turning it clockwise using a screwdriver.
- Tighten an Allen key into the chuck and strike it with a hammer as shown.
- Remove the Allen key.
- Remove the chuck by turning it counterclockwise.
- To refit the chuck, screw it onto the spindle and secure it with the chuck retaining screw.

Use

Warning! Let the tool work at its own pace. Do not overload.

Warning! Before drilling into walls, floors or ceilings, check for the location of wiring and pipes.

Selecting the direction of rotation (Applicable for KR5010, KR5010V)

For drilling and for tightening screws, use forward (clockwise) rotation. For loosening screws or removing a jammed drill bit, use reverse (counterclockwise) rotation.

- To select forward rotation, push the Forward/Reverse slider to the centre position.

- To select reverse rotation, push the Forward/Reverse slider to the left.

Warning! Never change the direction of rotation while the motor is running.

Selecting the drilling mode

- For drilling in masonry, set the drilling mode selector (4) to the **T** position.
- For drilling in other materials and for screwdriving, set the drilling mode selector to the **1** position.

Switching on and off

- To switch the tool on, press switch (1). For variable speed units, the tool's speed depends on how far you press the switch. As a general rule for variable speed units, use low speeds for large diameter drill bits and high speeds for smaller diameter drill bits.
- For continuous operation, press the lock-on button (2) and release the variable speed switch. This option is available only at full speed. This option does not work in reverse rotation.
- To switch the tool off, release the switch. To switch the tool off when in continuous operation, press the variable speed switch once more and release it.

Maintenance

Your tool has been designed to operate over a long period of time with a minimum of maintenance. Continuous satisfactory operation depends upon proper tool care and regular cleaning.

Warning! Before performing any maintenance, switch off and unplug the tool.

- Regularly clean the ventilation slots in your tool using a soft brush or dry cloth.
- Regularly clean the motor housing using a damp cloth. Do not use any abrasive or solvent-based cleaner.

Important! To assure product **SAFETY** and **RELIABILITY**, repairs, maintenance and adjustment (other than those listed in this manual) should be performed by authorized service centers or other qualified service personnel, always using identical

replacement parts.

Accessories

The performance of your tool depends on the accessory used. BLACK+DECKER accessories are engineered to high quality standards and designed to enhance the performance of your tool. By using these accessories you will get the very best from your tool.

Service information

BLACK+DECKER offers a full network of company-owned and authorized service locations. All BLACK+DECKER Service Centers are staffed with trained personnel to provide customers with efficient and reliable power tool service. For more information about our authorized service centers and if you need technical advice, repair, or genuine factory replacement parts, contact the BLACK+DECKER location nearest you, or visit us at www.BlackandDecker-la.com

Protecting the environment



Separate collection. This product must not be disposed of with normal household waste.

Should you find one day that your BLACK+DECKER product needs replacement, or if it is of no further use to you, do not dispose of it with household waste. Make this product available for separate collection.

Separate collection of used products and packaging allows materials to be recycled and used again. Reuse of recycled materials helps prevent environmental pollution and reduces the demand for raw materials.

Local regulations may provide for separate collection of electrical products from the household, at municipal waste sites or by the retailer when you purchase a new product.

BLACK+DECKER provides a facility for the collection and recycling of BLACK+DECKER products once they have reached the end of their working life. To take advantage of this service please return your product to any authorised repair agent who will collect them on our behalf.

You can check the location of your nearest authorised repair agent by contacting your local BLACK+DECKER office at the address indicated in this manual. Alternatively, a list of authorised BLACK+DECKER repair agents and full details of our after-sales service and contacts are available on the Internet at: www.2helpU.com.

Technical data

		KR5010	KR5010V
Power	W	550	550
Voltage	V	220-240	220-240
Frequency	Hz	50/60	50/60
Chuck	mm	10	10
No-load speed	RPM	2900	0-2900
IPM - Blows per minute	ipm	47600	0-47600
Max drilling capacity			
Steel/concrete	mm	10	10
Wood	mm	20	20
Weight	kg	1.4	1.4

Level of sound pressure according to EN 60745:

L_{pA} (sound pressure) 101.6 dB(A), Uncertainty (K) 3 dB(A)

L_{WA} (sound power) 112.6 dB(A), Uncertainty (K) 3 dB(A)

Vibration total values (triax vector sum) according to EN 60745:

Drilling into metal ($a_{h,D}$) 4.6 m/s², uncertainty (K) 1.5 m/s²

Impact drilling ($a_{h,IP}$) 15.2 m/s², uncertainty (K) 1.5 m/s²

EC declaration of conformity

MACHINERY DIRECTIVE



KR5010, KR5010V-Impact Drill

BLACK+DECKER declares that these products described under "Technical data" are in compliance with: 2006/42/EC, EN 60745-1:2009 + A1:2010, EN 60745-2-1:2010

These products also comply with Directive EN 55014-1:2006 +A1:2009 +A2:2011, EN 55014-2:1997 +A1:2001 +A2:2008, EN 61000-3-2:2014, EN 61000-3-3:2013 2014/30/EU and 2011/65/EU.

For more information, please contact BLACK+DECKER at the following address or refer to the back of the manual.

The undersigned is responsible for compilation of the technical file and makes this declaration on behalf of BLACK+DECKER.

R. Laverick
Engineering Manager
BLACK+DECKER Europe, 210 Bath Road,
Slough,
Berkshire, SL1 3YD
United Kingdom
10.2015

Guarantee

BLACK+DECKER is confident of the quality of its products and offers an outstanding guarantee. This guarantee statement is in addition to and in no way prejudices your statutory rights.

If a BLACK+DECKER product becomes defective due to faulty materials, workmanship or lack of conformity, within 24 months from the date of purchase, BLACK+DECKER guarantees to replace defective parts, repair products subjected to fair wear and tear or replace such products to make sure of the minimum inconvenience to the customer unless:

- The product has been used for trade, professional or hire purposes.
- The product has been subjected to misuse or neglect.
- The product has sustained damage through foreign objects, substances or accidents.
- Repairs have been attempted by persons other than authorised repair agents or BLACK+DECKER service staff.

To claim on the guarantee, you will need to submit proof of purchase to the seller or an authorised repair agent. You can check the location of your nearest authorised repair agent by contacting your local BLACK+DECKER office at the address indicated in this manual. Alternatively, a list of authorised BLACK+DECKER repair agents and full details of our aftersales service and contacts are available on the Internet at: www.2helpU.com

Назначение

Ваш BLACK+DECKER™ KR5010, KR5010V Ударная дрель предназначена для сверления отверстий в дереве, металле и бетоне. Данный инструмент предназначен только для бытового применения

Общие правила безопасности

Внимание! Внимательно прочтите все инструкции. Несоблюдение всех перечисленных ниже инструкций может привести к поражению электрическим током, возникновению пожара и/или получению тяжёлой травмы.

Сохраните данные инструкции

Инструкции по технике безопасности

Общие правила безопасности при работе с электроинструментами.



Внимание! Внимательно прочтите все инструкции по безопасности и руководство по эксплуатации.

Несоблюдение всех перечисленных ниже правил безопасности и инструкций может привести к поражению электрическим током, возникновению пожара и/или получению тяжёлой травмы.

Сохраните все инструкции по безопасности и руководство по эксплуатации для их дальнейшего использования.

Термин «Электроинструмент» во всех приведённых ниже указаниях относится к вашему сетевому (с кабелем) электроинструменту или аккумуляторному (беспроводному) электроинструменту.

1. Безопасность рабочего места

- a. **Содержите рабочее место в чистоте и обеспечьте хорошее освещение.** Плохое освещение или беспорядок на рабочем месте может привести к несчастному случаю.
- b. **Не используйте электроинструменты, если есть опасность возгорания или взрыва, например, вблизи легко воспламеняющихся жидкостей, газов или пыли.** В процессе работы электроинструменты создают искровые разряды, которые могут воспалить пыль или горючие пары.
- c. **Во время работы с электроинструментом не подпускайте близко детей или посторонних лиц.** Отвлечение внимания может вызвать у Вас потерю контроля над рабочим процессом.

2. Электробезопасность

- a. **Вилка кабеля электроинструмента должна соответствовать штепсельной розетке. Ни в коем случае не видоизменяйте вилку электрического кабеля. Не используйте соединительные штепсели-переходники, если в силовом кабеле электроинструмента есть провод заземления.** Использование оригинальной вилки кабеля и соответствующей ей штепсельной розетки уменьшает риск поражения электрическим током.
- b. **Во время работы с электроинструментом избегайте физического контакта с заземлёнными объектами, такими как трубопроводы, радиаторы отопления, электроплиты и холодильники.** Риск поражения электрическим током увеличивается, если Ваше тело заземлено.
- c. **Не используйте электроинструмент под дождём или во влажной среде.** Попадание воды в электроинструмент увеличивает риск поражения электрическим током.
- d. **Бережно обращайтесь с электрическим кабелем. Ни в коем случае не используйте кабель для переноски электроинструмента или для вытягивания его вилки из штепсельной розетки. Не подвергайте электрический кабель воздействию высоких температур и смазочных веществ; держите его в стороне от острых кромок и движущихся частей электроинструмента.** Повреждённый или запутанный кабель увеличивает риск поражения электрическим током.
- e. **При работе с электроинструментом на открытом воздухе используйте удлинительный кабель, предназначенный для наружных работ.** Использование кабеля, пригодного для работы на открытом воздухе, снижает риск поражения электрическим током. **Примечание:** Термин «устройство защитного отключения (УЗО)» может быть заменён на «аварийный прерыватель заземления» или «автоматический выключатель тока утечки».
- f. **При необходимости работы с электроинструментом во влажной среде используйте источник питания, оборудованный устройством защитного отключения (УЗО).** Использование УЗО снижает риск поражения электрическим током.

3. Личная безопасность

- a. При работе с электроинструментами будьте внимательны, следите за тем, что Вы делаете, и руководствуйтесь здравым смыслом. Не используйте электроинструмент, если Вы устали, а также находясь под действием алкоголя или понижающих реакцию лекарственных препаратов и других средств. Малейшая неосторожность при работе с электроинструментами может привести к серьёзной травме.
- b. При работе используйте средства индивидуальной защиты. Всегда надевайте защитные очки. Своевременное использование защитного снаряжения, а именно: пылезащитной маски, ботинок на нескользящей подошве, защитного шлема или противошумовых наушников, значительно снизит риск получения травмы.
- c. Не допускайте непреднамеренного запуска. Перед тем, как подключить электроинструмент к сети и/или аккумулятору, поднять или перенести его, убедитесь, что выключатель находится в положении «выключено». Не переносите электроинструмент с нажатым курковым выключателем и не подключайте к сетевой розетке электроинструмент, выключатель которого установлен в положение «включено», это может привести к несчастному случаю.
- d. Перед включением электроинструмента снимите с него все регулировочные или гаечные ключи. Регулировочный или гаечный ключ, оставленный закреплённым на вращающейся части электроинструмента, может стать причиной получения тяжёлой травмы.
- e. Работайте в устойчивой позе. Всегда твёрдо стойте на ногах, сохраняя равновесие. Это позволит Вам не потерять контроль при работе электроинструментом в непредвиденной ситуации.
- f. Одевайтесь соответствующим образом. Во время работы не надевайте свободную одежду или украшения. Следите за тем, чтобы Ваши волосы, одежда или перчатки находились в постоянном отдалении от движущихся частей инструмента. Свободная одежда, украшения или длинные волосы могут попасть в движущиеся части инструмента.
- g. Если электроинструмент снабжён устройством сбора и удаления пыли, убедитесь, что данное устройство подключено и используется надлежащим образом. Использование устройства пылеудаления значительно снижает риск возникновения несчастного случая, связанного с запылённостью рабочего пространства.

4. Использование электроинструментов и технический уход

- a. Не перегружайте электроинструмент. Используйте Ваш инструмент по назначению. Электроинструмент работает надёжно и безопасно только при соблюдении параметров, указанных в его технических характеристиках.
 - b. Не используйте электроинструмент, если его выключатель не устанавливается в положение включения или выключения. Электроинструмент неисправным выключателем представляет опасность и подлежит ремонту.
 - c. Отключайте электроинструмент от сетевой розетки и/или извлекайте аккумулятор перед регулировкой, заменой принадлежности или при хранении электроинструмента. Такие меры предосторожности снижают риск случайного включения электроинструмента.
 - d. Храните неиспользуемые электроинструменты в недоступном для детей месте и не позволяйте лицам, не знакомым с электроинструментом или данными инструкциями, работать с электроинструментом. Электроинструменты представляют опасность в руках неопытных пользователей.
 - e. Регулярно проверяйте исправность электроинструмента. Проверяйте точность совмещения и легкость перемещения подвижных частей, целостность деталей и любых других элементов электроинструмента, воздействующих на его работу. Не используйте неисправный электроинструмент, пока он не будет полностью отремонтирован. Большинство несчастных случаев являются следствием недостаточного технического ухода за электроинструментом.
 - f. Следите за остротой заточки и чистотой режущих принадлежностей. Принадлежности с острыми кромками позволяют избежать заклинивания и делают работу менее утомительной.
 - g. Используйте электроинструмент, аксессуары и насадки в соответствии с данным Руководством и с учетом рабочих условий и характера будущей работы. Использование электроинструмента не по назначению может создать опасную ситуацию.
- ### 5. Техническое обслуживание
- a. Ремонт Вашего электроинструмента должен производиться только квалифицированными специалистами с использованием идентичных запасных частей. Это обеспечит безопасность Вашего электроинструмента в дальнейшей эксплуатации.

Дополнительные правила безопасности при работе с ударными дрелями

- При работе ударными дрелями всегда надевайте противозумовые наушники. Воздействие шума может привести к потере слуха.
- Держите инструмент за изолированные ручки при выполнении операций, во время которых режущий элемент может соприкоснуться со скрытой проводкой или собственным кабелем. Контакт ножа с находящимся под напряжением проводом делает не покрытые изоляцией металлические части электроинструмента также «живыми», что создаёт опасность поражения оператора электрическим током.
- Используйте струбицы или другие приспособления для фиксации обрабатываемой детали, устанавливая их только на неподвижной поверхности. Если держать обрабатываемую деталь руками или с упором в собственное тело, то можно потерять контроль над инструментом или обрабатываемой деталью.
- Прежде чем сверлить отверстия в стенах, полах или потолках, проверьте наличие электропроводки и трубопроводов.
- Не дотрагивайтесь до наконечника сверла сразу же после окончания сверления, так как он может быть горячим.

Вибрация

Значения уровня вибрации, указанные в технических характеристиках инструмента и декларации соответствия, были измерены в соответствии со стандартным методом определения вибрационного воздействия согласно EN60745 и могут использоваться при сравнении характеристик различных инструментов. Приведенные значения уровня вибрации могут также использоваться для предварительной оценки величины вибрационного воздействия.









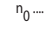
Внимание! Значения вибрационного воздействия при работе с электроинструментом зависят от вида работ, выполняемых данным инструментом, и могут отличаться от заявленных значений. Уровень вибрации может превышать заявленное значение.

При оценке степени вибрационного воздействия для определения необходимых защитных мер (2002/44/ЕС) для людей, использующих в процессе работы электроинструменты, необходимо принимать во внимание действительные условия использования

электроинструмента, учитывая все составляющие рабочего цикла, в том числе, время, когда инструмент находится в выключенном состоянии, время, когда он работает без нагрузки, а также время его запуска и отключения.

Маркировка инструмента

Наравне с кодом даты на инструменте могут находиться следующие знаки:

	Прочитайте инструкцию по эксплуатации	Gc	Герцы		Конструкция Класс II
	Используйте средства защиты глаз	Вт	Ватты		Клемма заземления
	Используйте средства защиты органов слуха	мин	минуты		Переменный ток
	V	Вольты		Постоянный ток/мин..
	A	Амперы		Постоянный ток/мин..
			n_0	Скорость холостого хода	Количество оборотов или возвратно-поступательных движений в минуту

Местоположение кода даты

Код даты, который также включает в себя год изготовления, отштампован на поверхности корпуса инструмента.

Пример:

2014 XX JN
Год изготовления

Электробезопасность



Данный инструмент защищён двойной изоляцией, что исключает потребность в заземляющем проводе. Всегда проверяйте, соответствует ли напряжение, указанное на табличке с техническими параметрами, напряжению электросети.



Внимание! Во избежание повреждений или получения травмы, замена повреждённого кабеля питания должна производиться только на заводе-изготовителе, в авторизованном сервисном центре BLACK+DECKER или квалифицированным персоналом. При замене кабеля питания квалифицированным лицом, но не имеющим авторизацию BLACK+DECKER, гарантия на продукт будет недействительной.

Описание (Рис. А)

1. Курковый пусковой выключатель
2. Кнопка блокировки пускового выключателя

3. Переключатель режимов сверления
4. Зажимной патрон

Сборка

Внимание! Перед началом сборки убедитесь, что инструмент выключен и отсоединён от электросети.

Установка сверла или отвёрточной насадки в ключевой патрон (Рис. В)

- Раскройте зажимной патрон, вращая зажимное кольцо (5) в направлении против часовой стрелки.
- Вставьте в патрон хвостовик насадки (6).
- Вставьте ключ (7) в каждое из отверстий (8), расположенных на боковой части зажимного патрона, и затяните патрон, поворачивая ключ в направлении по часовой стрелке.

Снятие и установка зажимного патрона (Рис. С)

- Максимально раскройте зажимной патрон.
- Извлеките стопорный винт, находящийся в патроне, открутив его по часовой стрелке с помощью отвёртки.
- Зажмите в патроне ключ-шестигранник и ударьте по нему молотком, как показано на рисунке.
- Выньте ключ.
- Снимите зажимной патрон, поворачивая его в направлении против часовой стрелки.
- Чтобы установить патрон, навинтите его на шпindel и закрепите с помощью стопорного винта.

Эксплуатация

Внимание! Не форсируйте рабочий процесс. Избегайте перегрузки инструмента.

Внимание! Прежде чем сверлить отверстия в стенах, полах или потолках, проверьте наличие электропроводки и трубопроводов.

Выбор направления вращения (Для KR5010)

Выполняйте сверление и заворачивание саморезов, установив направление вращения вперёд (по часовой стрелке). Для выкручивания саморезов или извлечения заклинившего сверла, устанавливайте реверс (вращение против часовой стрелки).

- Для установки вращения вперёд передвиньте переключатель направления вращения в

центральное положение.

- Для установки реверса передвиньте переключатель направления вращения влево.

Внимание! Ни в коем случае не изменяйте направление вращения при работающем электродвигателе!

Выбор режима работы

- Для сверления в кирпичной кладке установите переключатель режимов сверления (4) в позицию
- Для сверления в прочих материалах, а также для заворачивания саморезов установите переключатель режимов сверления (4) в позицию

Включение и выключение

- Чтобы включить инструмент, нажмите на курковый пусковой выключатель (1). Скорость инструмента зависит от глубины нажатия на курковый выключатель. При работе инструментами с регулировкой скорости принято использовать малые частоты вращения для свёрл большого диаметра и, соответственно, большие частоты вращения для свёрл малого диаметра.
- Для непрерывного режима работы нажмите кнопку блокировки пускового выключателя (2) и отпустите курковый пусковой выключатель. Эта функция работает только при максимальной частоте вращения. Данная функция не работает в режиме реверса.
- Чтобы выключить инструмент, отпустите курковый пусковой выключатель. Для выключения непрерывного режима работы инструмента снова нажмите на курковый пусковой выключатель и отпустите.

Техническое обслуживание

Ваш инструмент рассчитан на работу в течение продолжительного времени при минимальном техническом обслуживании. Срок службы и надёжность инструмента увеличивается при правильном уходе и регулярной чистке.

Внимание! Перед любыми видами работ по техническому обслуживанию выключайте инструмент и отключайте его от источника питания.

- Регулярно очищайте вентиляционные отверстия Вашего инструмента мягкой щёткой или сухой тканью.
- Регулярно очищайте корпус двигателя влажной тканью. Не используйте абразивные чистящие средства, а также чистящие средства на основе растворителей.

Важно! В целях обеспечения **БЕЗОПАСНОСТИ** и **ДОЛГОВЕЧНОСТИ** в использовании продукта ремонт, техническое обслуживание и регулировка (кроме перечисленных в данном руководстве по эксплуатации) должны производиться только в авторизованных сервисных центрах или других квалифицированных мастерских и только с использованием идентичных запасных частей.

Дополнительные принадлежности

Производительность Вашего электроинструмента напрямую зависит от используемых принадлежностей. Принадлежности BLACK+DECKER изготовлены в соответствии с самыми высокими стандартами качества и способны увеличить производительность вашего электроинструмента. Используя эти принадлежности, Вы достигнете наилучших результатов в работе.

Информация по техническому обслуживанию

BLACK+DECKER имеет обширную сеть принадлежащих компании и авторизованных сервисных центров. В целях предоставления клиентам эффективного и надёжного технического обслуживания электроинструментов во всех сервисных центрах BLACK+DECKER работает обученный персонал. За дополнительной информацией о наших авторизованных сервисных центрах, а также, если Вы нуждаетесь в технической консультации, ремонте или покупке оригинальных запасных частей, обратитесь в ближайший к Вам сервисный центр BLACK+DECKER или посетите наш сайт www.blackanddecker.ru

Защита окружающей среды



Раздельный сбор отходов. Запрещается утилизировать этот продукт вместе с обычными бытовыми отходами.

Если вы решите, что ваше изделие BLACK+DECKER необходимо заменить, или если вы не будете его больше использовать, не утилизируйте его вместе с бытовыми отходами. Этот продукт подлежит раздельному сбору отходов.



Раздельный сбор использованных продуктов и упаковочных материалов позволяет производить их вторичную переработку с дальнейшим повторным использованием. Повторное использование материалов, прошедших вторичную переработку, снижает загрязнение окружающей среды и уменьшает потребность в сырьевых материалах.

Нормативные акты местных органов власти могут предусматривать сбор использованных электрических изделий отдельно от бытовых

отходов, в муниципальных пунктах сбора отходов или в магазине при покупке нового изделия.

BLACK+DECKER предоставляет возможность для сбора и повторной переработки продуктов BLACK+DECKER после окончания срока их службы. Чтобы воспользоваться преимуществом этого сервиса, пожалуйста, отправьте ваш продукт любому уполномоченному представителю по ремонту, который собирает такие изделия от нашего имени.

Вы можете узнать адрес нашего ближайшего уполномоченного представителя по ремонту, позвонив в региональное представительство BLACK+DECKER, указанное в этой инструкции. Кроме того, список уполномоченных представителей по ремонту BLACK+DECKER, подробная информация о послепродажном обслуживании и контактные данные можно найти на сайте www.2helpU.com.

Технические характеристики

		KR5010	KR5010V
Мощность	Вт	550	550
Напряжение	В	220-240	220-240
Частота	Гц	50/60	50/60
Патрон	мм	10	10
Скорость без нагрузки	об / мин	2900	0-2900
Кол-во ударов в минуту	LPM	47600	0-47600
Максимальный диаметр сверления:			
Сталь/бетон	мм	10	10
Дерево	мм	20	20
Вес	кг	1,4	1,4

Уровень звукового давления в соответствии с EN 60745:

Звуковое давление (L_{pA})	101,6 дБ(A), погрешность (K) 3 дБ(A),
Акустическая мощность (L_{WA})	112,6 дБ(A), погрешность (K) 3 дБ(A)
измеренных в соответствии со стандартом EN 60745:	
Сверление с ударом в бетоне ($a_{h, D}$)	4,6 м/с ² , погрешность (K) 1,5 м/с ² ,
Сверление в металле ($a_{h, D}$)	15,2 м/с ² , погрешность (K) 1,5 м/с ²

Декларация соответствия ЕС

ДИРЕКТИВА ПО МАШИННОМУ ОБОРУДОВАНИЮ

**KR5010, KR5010V, ударная дрель**

BLACK+DECKER заявляет, что изделия, описанные в «технических данных», соответствуют:

2006/42/EC,

EN 60745-1:2009 + A11:2010, EN 60745-2-1:2010

Данные изделия соответствуют требованиям

Директивы 2004/108/EC (до 19.04.2016),

2014/30/EU (с 20.04.2016) и 2011/65/EU.

Для получения более подробной информации, пожалуйста, свяжитесь с BLACK+DECKER по адресу, который указан ниже или с обратной стороны инструкции.

Нижеподписавшийся является ответственным за составление файла с техническими данными и подписывает эту декларацию от имени BLACK+DECKER.

R.Laverick

Главный инженер

BLACK+DECKER Europe, 210 Bath Road,

Slough,

Berkshire, SL1 3YD

Соединенное Королевство

10.2015



Гарантийные условия

Уважаемый покупатель!

1. Поздравляем Вас с покупкой высококачественного изделия Black + Decker и выражаем признательность за Ваш выбор.
2. При покупке изделия требуйте проверки его комплектности и исправности в Вашем присутствии, инструкцию по эксплуатации и заполненный гарантийный талон на русском языке.

В гарантийном талоне должны быть внесены: модель, дата продажи, серийный номер, дата производства инструмента; название, печать и подпись торговой организации. При отсутствии у Вас правильно заполненного гарантийного талона мы будем вынуждены отклонить Ваши претензии по качеству данного изделия.

3. Во избежание недоразумений убедительно просим Вас перед началом работы с изделием внимательно ознакомиться с инструкцией по его эксплуатации.

Правовой основой настоящих гарантийных условий является действующее Законодательство.

Гарантийный срок на данное изделие составляет 24 месяца и исчисляется со дня продажи. В случае устранения недостатков изделия, гарантийный срок продлевается на период его нахождения в ремонте.

Срок службы изделия - 5 лет со дня продажи.

4. В случае возникновения каких-либо проблем в процессе эксплуатации изделия рекомендуем Вам обращаться только в уполномоченные сервисные центры Black + Decker, адреса и телефоны которых Вы сможете найти в гарантийном талоне, на сайте www.2helpU.com или узнать в магазине. Наши сервисные станции - это не только квалифицированный ремонт, но и широкий ассортимент запчастей и принадлежностей.
5. Производитель рекомендует проводить периодическую проверку и техническое обслуживание изделия в уполномоченных сервисных центрах.

6. Наши гарантийные обязательства распространяются только на неисправности, выявленные в течение гарантийного срока и вызванные дефектами производства и \ или материалов.
7. Гарантийные обязательства не распространяются на неисправности изделия, возникшие в результате:
 - 7.1. Несоблюдения пользователем предписаний инструкции по эксплуатации изделия, применения изделия не по назначению, неправильного хранения, использования принадлежностей, расходных материалов и запчастей, не предусмотренных производителем.
 - 7.2. Механического повреждения (сколы, трещины и разрушения) внутренних и внешних деталей изделия, основных и вспомогательных рукояток, сетевого электрического кабеля, вызванного внешним ударным или любым иным воздействием.
 - 7.3. Попадания в вентиляционные отверстия и проникновение внутрь изделия посторонних предметов, материалов или веществ, не являющихся отходами, сопровождающими применение изделия по назначению, такими как: стружка, опилки, песок, и пр.
 - 7.4. Воздействие на изделие неблагоприятных атмосферных и иных внешних факторов, таких как дождь, снег, повышенная влажность, нагрев, агрессивные среды, несоответствие параметров питающей электросети, указанным на инструменте.
 - 7.5. Стихийного бедствия. Повреждение или утрата изделия, связанное с непредвиденными бедствиями, стихийными явлениями, в том числе вследствие действия непреодолимой силы (пожар, молния, потоп и другие природные явления), а так же вследствие перепадов напряжения в электросети и другими причинами, которые находятся вне контроля производителя.
8. Гарантийные условия не распространяются:
 - 8.1. На инструменты, подвергавшиеся вскрытию, ремонту или модификации вне уполномоченной сервисного центра.
 - 8.2. На детали и узлы, имеющие следы естественного износа, такие как: приводные ремни и колеса, угольные щетки, смазка, подшипники, зубчатое зацепление редукторов, резиновые уплотнения, сальники, направляющие ролики, муфты, выключатели, бойки, толкатели, стволы и т.п.
 - 8.3. на сменные части: патроны, цанги, зажимные гайки и фланцы, фильтры, аккумуляторные батареи, ножи, шлифовальные подошвы, цепи, звездочки, пильные шины, защитные кожухи, пилки, абразивы, пильные и абразивные диски, фрезы, сверла, буры и т.п.
 - 8.4. На неисправности, возникшие в результате перегрузки инструмента (как механической, так и электрической), повлекшей выход из строя одновременно двух и более деталей и узлов, таких как: ротора и статора, обеих обмоток статора, ведомой и ведущей шестерни редуктора и других узлов и деталей. К безусловным признакам перегрузки изделия относятся, помимо прочего: появление цветов побежалости, деформация или оплавление деталей и узлов изделия, потемнение или обугливание изоляции проводов электродвигателя под воздействием высокой температуры.

Изготовитель

Блэк энд Деккер Холдингс ГмбХ
Германия, 65510, Идштайн,
ул. Блэк энд Деккер, 40



Приложение к руководству по эксплуатации электроинструмента

Дрели электрические

Модели: KR5010*, Где символ ** - различные варианты исполнения изделия.

Сертификат № TC RU C-DE.AЯ46.B.77558

Действителен до: 27 ноября 2019 г.

Выдан: Орган по сертификации "РОСТЕСТ- Москва" . Адрес: 119049,г. Москва, улица Житная, д. 14, стр. 1; 117418, Москва, Нахимовский просп., 31 (фактический), Телефон: (499) 1292311, (495) 6682893, Факс: (495) 6682893, E-mail: office@rostest.ru

Изготовитель: Блэк энд Деккер Холдингс ГмБХ

Германия, 65510, Идштайн,

ул. Блэк энд Деккер, 40

Хранение.

Необходимо хранить в сухом месте, вдали от источников повышенных температур и воздействия солнечных лучей. При хранении необходимо избегать резкого перепада температур. Хранение без упаковки не допускается

Срок службы.

Срок службы изделия составляет 5 лет. Не рекомендуется к эксплуатации по истечении 5 лет хранения с даты изготовления без предварительной проверки. Дата изготовления (код даты) указана на корпусе инструмента. Код даты, который также включает год изготовления, отштампован на поверхности корпуса изделия.

Пример:

2014 46 XX, где 2014 –год изготовления, 46-неделя изготовления.

Определить месяц изготовления по указанной неделе изготовления можно согласно приведенной ниже таблице.

Уполномоченное изготовителем юр.лицо:

ООО "Стэнли Блэк энд Деккер",117485, город Москва, улица Обручева, дом 30/1, строение 2

Телефон: + 7 (495) 258-3981, факс: + 7 (495) 258-3984, E-mail: inbox@dewalt.com

Сведения о импортере указаны в сопроводительной документации и/или на упаковке

Транспортировка.

Категорически не допускается падение и любые механические воздействия на упаковку при транспортировке.

При разгрузке/погрузке не допускается использование любого вида техники, работающей по принципу зажима упаковки.

Перечень критических отказов, возможные ошибочные действия персонала.

Не допускается эксплуатация изделия:

- При появлении дыма из корпуса изделия
- При поврежденном и/или оголенном сетевом кабеле
- при повреждении корпуса изделия, защитного кожуха, рукоятки
- при попадании жидкости в корпус
- при возникновении сильной вибрации
- при возникновении сильного искрения внутри корпуса

Критерии предельных состояний.

- При поврежденном и/или оголенном сетевом кабеле
- при повреждении корпуса изделия

Месяц	Январь	Февраль	Март	Апрель	Май	Июнь	Июль	Август	Сентябрь	Октябрь	Ноябрь	Декабрь	Год производства
Неделя	01	05	09	14	18	22	27	31	36	40	44	49	2014
	02	06	10	15	19	23	28	32	37	41	45	50	
	03	07	11	16	20	24	29	33	38	42	46	51	
	04	08	12	17	21	25	30	34	39	43	47	52	
	05	09	13	18	22	26	31	35	40	44	48	48	
Неделя			14			27							2015
	01	05	09	14	18	23	27	31	36	40	44	49	
	02	06	10	15	19	24	28	32	37	41	45	50	
	03	07	11	16	20	25	29	33	38	42	46	51	
	04	08	12	17	21	26	30	34	39	43	47	52	
Неделя			13	18	22	27	31	35	40	44	48	53	2016
			14					36			49		
	01	05	09	13	17	22	26	31	35	39	44	48	
	02	06	10	14	18	23	27	32	36	40	45	49	
	03	07	11	15	19	24	28	33	37	41	46	50	
Неделя	04	08	12	16	20	25	29	34	38	42	47	51	2017
		09	13	17	21	26	30	35	39	43	48	52	
				22					44				
	01	05	09	13	18	22	26	31	35	39	44	48	
	02	06	10	14	19	23	27	32	36	40	45	49	
03	07	11	15	20	24	28	33	37	41	46	50		
04	08	12	16	21	25	29	34	38	42	47	51		
05	09	13	17	22	26	30	35	39	43	48	52		
					31			44					

Призначення

Ваш BLACK+DECKER™ KR5010, KR5010V* Ударная дрель призначена для свердління отворів в дереві, металі та бетоні. Цей інструмент призначений тільки для побутового використання

Загальні правила безпеки

Увага! Уважно прочитайте всі інструкції. Недотримання всіх інструкцій, що наведені нижче, може призвести до ураження електричним струмом, пожежі та/або серйозних травм.

Збережіть ці інструкції

Інструкції з техніки безпеки

Загальні правила безпеки для електричного інструменту.



Увага! Перед використанням інструменту уважно прочитайте всі попередження та інструкції.

Невиконання попереджень та інструкцій, наведених нижче, може призвести до ураження електричним струмом, пожежі та/або серйозних травм.

Збережіть всі попередження та інструкції для використання в майбутньому. Термін «електричний інструмент» в усіх попередженнях, перерахованих нижче, стосується використовуваних вами інструментів, що працюють від мережі енергоспоживання (з використанням електричного кабелю) або акумуляторів (без кабелю).

1. Безпека робочої зони.

- a. **Забезпечте чистоту та добре освітлення робочої зони.** Неупорядковані та темні робочі зони збільшують ймовірність нещасного випадку.
- b. **Не використовуйте електричні інструменти у вибухонебезпечній атмосфері, наприклад, у присутності вогненебезпечних рідин, газів та пилу.** Електричні інструменти створюють іскри, що можуть запалити пил або випаровування.
- c. **Тримайте дітей та сторонніх подалі під час використання інструменту.** Відвернення уваги може призвести до втрати контролю.

2. Електрична безпека.

- a. **Вилка електричного інструменту має підходити для розетки. Ніколи ніяким чином не змінюйте вилку. Не використовуйте адаптери із заземленими електричними інструментами.** Немодифіковані вилки та

розетки, що підходять до них, зменшують ризик ураження електричним струмом.

- b. **Уникайте контактів тіла з заземленими поверхнями, такими як труби, радіатори, плити та холодильники.** Якщо Ваше тіло заземлене, збільшується ризик ураження електричним струмом.
 - c. **Не залишайте електричні інструменти під дощем або за умов підвищеної вологості.** Вода, що потрапляє в електричний інструмент, підвищує ризик ураження електричним струмом.
 - d. **Не використовуйте кабель живлення не за призначенням. Ніколи не використовуйте шнур для перенесення, витягування та відключення від розетки живлення електричного інструменту. Тримайте шнур подалі від високих температур, мастила, гострих предметів та рухомих деталей.** Пошкоджені або перекручені шнури підвищують ризик ураження електричним струмом.
 - e. **Під час застосування електричного інструменту на вулиці, використовуйте подовжувач, що підходить для використання поза приміщеннями.** Використання шнура, що підходить для вулиці, знижує ризик ураження електричним струмом. **Примітка.** Термін «пристрій диференційного захисту (RCD)» може бути замінений на «пристрій захисного відключення (ПЗВ)» або на «реле витоку (PB)».
 - f. **Якщо неможливо уникнути використання електричного інструменту за умов підвищеної вологості, використовуйте живлення, захищене пристроєм диференційного захисту (RCD).** Використання RCD знижує ризик ураження електричним струмом.
- ### 3. Особиста безпека.
- a. **Будьте уважні, слідкуйте за своєю роботою та використовуйте здоровий глузд, коли працюєте з електричним інструментом. Не використовуйте електричний інструмент, коли ви втомлені або знаходитесь під впливом наркотичних речовин, алкоголю або ліків.** Втрата уваги при роботі з електричними інструментами може призвести до серйозних травм.
 - b. **Використовуйте особисті засоби безпеки. Завжди використовуйте засоби захисту очей.** Засоби безпеки, такі як протипилова маска, нековзані безпечні черевики, захисний шолом та засоби захисту слухового апарату, які використовують для відповідних умов, зменшують ймовірність особистих травм.

- c. Уникнення випадкового запуску. Переконайтеся в тому, що вимикач знаходиться в положенні «вимк.» перед підключенням до джерела живлення та/або акумулятора, переміщенням або перенесенням пристрою. Перенесення інструменту, тримаючи палець на вимикачі, або підключення живлення з перемикачем в положенні «увімк.» може призвести до нещасного випадку.
- d. Зніміть всі налаштовані або гайкові ключі перед вмиканням електричного інструменту. Гайковий ключ, що залишився прикріпленим до якоїсь деталі електричного пристрою, що обертається, може призвести до травм.
- e. Не перенапружуйтеся. Завжди утримуйте правильну постановку ніг і рівновагу. Це дає вам змогу краще контролювати інструмент в неочікуваних ситуаціях.
- f. Вдягайте відповідний одяг. Не вдягайте вільний одяг або прикраси. Тримайте ваше волосся, одяг та рукавички подалі від рухомих деталей. Вільний одяг, прикраси або довге волосся може зачепитися за рухомі деталі.
- g. Якщо передбачені пристрої для підключення до засобів виділення та збирання пилу, переконайтеся, що вони правильно підключені та використовуються. Використання таких пристроїв зменшує ризик виникнення небезпечних ситуацій, що пов'язані з потраплянням пилу.
4. Використання та догляд за електричним інструментом.
- a. Не прикладайте надмірних зусиль під час роботи з інструментом. Використовуйте відповідний електричний інструмент для вашого застосування. Правильно обраний інструмент виконає завдання краще та безпечніше за умов, для яких він був розроблений.
- b. Не використовуйте інструмент, вмикач якого не вмикає та не вимикає його. Будь-який електричний інструмент, який не може управлятися вмикачем, є небезпечним і має бути відремонтований.
- c. Відключіть вилку від джерела живлення та/або зніміть акумуляторний блок з інструменту перед тим, як робити будь-які налаштування, змінювати додаткове обладнання або зберігати інструмент. Ці профілактичні заходи зменшують ризик випадкового запуску електричного інструменту.
- d. Зберігайте вимкнені електричні інструменти подалі від дітей та не дозволяйте особам, що не знайомі з електричним інструментом або цими інструкціями, використовувати електричний інструмент. Електричні інструменти є небезпечними, якщо вони використовуються некваліфікованими користувачами.
- e. Технічне обслуговування електричних інструментів. Перевіряйте на відсутність вивірнювання або заїдання рухомих деталей, ушкоджених частин та інших умов, що можуть впливати на роботу електричного інструменту. Якщо є ушкодження, відремонтуйте електричний інструмент перед використанням. Багато нещасних випадків є результатом того, що інструмент не пройшов відповідного технічного обслуговування.
- f. Зберігайте ріжучі інструменти гострими та чистими. Правильно доглянуті ріжучі інструменти з гострими ріжучими кромками мають меншу ймовірність заїдання, та ними легше керувати.
- g. Використовуйте електричний інструмент, витратні матеріали та деталі інструменту тощо у відповідності до цих інструкцій та відповідно до даного типу електричних інструментів, зважаючи на умови використання та роботу, яка має бути виконана. Використання електричних інструментів не за призначенням може призвести до виникнення небезпечних ситуацій.
5. Обслуговування.
- a. Надавайте електричний інструмент для обслуговування кваліфікованим спеціалістам із ремонту та використовуйте тільки ідентичні замінічні деталі. Це забезпечить безпеку електричного пристрою, що обслуговується.

Додаткові інструкції з техніки безпеки для молоткових перфораторів

- Використовуйте засоби захисту органів слуху при роботі з молотковим перфоратором. Шум може викликати втрату слуху.
- Тримайте інструмент за ізольовану поверхню при виконанні операцій, коли ріжучий інструмент може торкнутися проводки або власного кабелю. Контакт із кабелем під напругою зробить металеві деталі електричного інструменту також зарядженими та може призвести до ураження струмом оператора.
- Використовуйте затискач або інший спосіб закріплення деталі, що оброблюється, на стабільній платформі. Утримування заготовки в руці та біля тіла робить її нестабільною та може призвести до втрати контролю.
- Перед свердлінням стін, підлоги та стелі переконайтеся, що в цьому місці не розташована електрична проводка та труби.
- Уникайте контакту з кінцем свердла відразу після свердління, тому що він може бути гарячим.

Вібрація

Значення вібрації, вказані в технічних даних та в декларації про відповідність виміряні з дотриманням стандартних методів тестування, наданих в стандарті EN 60745, та їх можна використовувати для порівняння одного інструменту з іншим. Задекларовані значення вібрації можна також використовувати для попередньої оцінки впливу вібрації.

Попередження! Значення вібрації під час використання інструменту може відрізнятись від задекларованого в залежності від способів використання інструменту. Рівень вібрації може перевищувати вказані значення.

При оцінці впливу вібрації для визначення заходів безпеки за вимогами 2002/44/ EC, щоб захистити людей, що регулярно використовують інструменти в роботі, необхідно враховувати реальні умови та способи використання інструменту, включаючи врахування всіх періодів робочого циклу, наприклад, часу, коли інструмент вимкнено та коли він знаходиться в режимі очікування, а також часу реальної роботи інструменту.

Написи на інструменті

Написи на інструменті можуть включати наступні символи разом з кодом дати.

	Прочитайте інструкцію із експлуатації	Гц Вт	Герци Вати		Конструкція Клас II
	Використовуйте засоби захисту очей	хв ~	хвилини Змінний струм		Клема заземлення
	Використовуйте засоби захисту органів слуху	----- В	Постійний струм Вольти		Попереджу вальний знак
		А П	Ампер Швидкість холостого ходу		Кількість обертів або зворотнопоступальних рухів за хвилину

А Ампер
П Швидкість холостого ходу

Код дати, що включає також рік виробництва, наноситься на корпус.

Приклад:

2014 XX JN
Рік виробництва

Електрична безпека



Цей інструмент має подвійну ізоляцію; тому заземлення не є необхідним. Завжди перевіряйте, чи джерело живлення відповідає напрузі, що вказана на таблиці з паспортними даними.



Увага! У разі пошкодження кабелю живлення, він повинен бути замінений виробником, офіційним центром обслуговування компанії BLACK+DECKER або кваліфікованим спеціалістом, щоб уникнути пошкодження або травм. У разі заміни кабелю живлення кваліфікованим спеціалістом без затвердження компанії BLACK+DECKER гарантія не буде дійсною.

Характеристики (рис. А)

1. Вимикач.
2. Кнопка блокування.
3. Вибір режиму свердління.
4. Затискний патрон.

Монтаж інструменту

Увага! Перед монтажем переконайтеся, що інструмент вимкнено та вилка витягнута з розетки.

Встановлення свердла або викрутки- вставки (рис. В)

- Відкрийте патрон, повернувши затискач (5) проти годинникової стрілки.
- Вставте хвостовик насадки (6) у затискний патрон.
- Вставте ключ патрона (7) в кожний отвір (8) з бокової сторони патрону та повертайте за годинниковою стрілкою, доки він не буде добре затиснений.

Зняття та установка затискного патрона (рис. С)

- Відкрийте патрон як можна ширше.
- Зніміть стопорний гвинт патрона, розташований в патроні, повертаючи його за годинниковою стрілкою за допомогою викрутки.
- Закріпіть торцевий ключ в затискному патроні та вдарте по ньому молотком, як показано.
- Зніміть торцевий ключ.
- Зніміть патрон, повертаючи його проти годинникової стрілки.
- Щоб знову встановити патрон, прикріпіть його до шпинделя та закріпіть за допомогою стопорного гвинта патрону.

Використання

Увага! Інструмент повинен працювати із рекомендованою швидкістю. Не перевантажуйте його.

Увага! Перед свердлінням стін, підлоги та стелі переконайтесь, що в цьому місці не розташована електрична проводка та труби.

Вибір напрямку обертання (використовується для KR5010V)

Для свердління та закручування шурупів використуйте обертання вперед (за годинниковою стрілкою). Для викручування шурупів та витягування затисненого свердла використуйте обертання в зворотному напрямку (проти годинникової стрілки).

- Щоб обрати обертання вперед, натисніть на перемикач «Вперед/назад» до положення руху вперед.
- Щоб обрати обертання назад, натисніть на перемикач «Вперед/назад» вліво.

Увага! Ніколи не змінюйте напрямок обертання, коли мотор працює.

Вибір режиму свердління

- При свердлінні кам'яної кладки встановіть селектор вибору режимів свердління (4) в положення
- Для свердління інших матеріалів встановіть селектор вибору режимів у 1 позицію.

Вмикання та вимикання

- Для ввімкнення інструменту натисніть перемикач (1). Для регуляторів швидкості швидкість інструменту залежить від того, наскільки сильно ви натиснете на перемикач. Загальним правилом для регуляторів швидкості є використання невеликих швидкостей для свердління за допомогою свердел великих діаметрів та використання більших швидкостей для свердління за допомогою свердел менших діаметрів.
- Для безперервної роботи натисніть кнопку блокування (2) та відпустіть перемикач змінної швидкості. Ця функція працює лише на повній швидкості. Ця функція не працює при обертанні при зворотному обертанні.
- Щоб вимкнути інструмент, відпустіть

перемикач. Щоб вимкнути інструмент при безперервній роботі, натисніть на перемикач змінної швидкості знов та відпустіть його.

Технічне обслуговування

Ваш інструмент призначений для роботи протягом довгого часу з мінімальним обслуговуванням. Довга задовільна робота інструменту залежить від відповідного обслуговування інструменту та регулярного його очищення.

Увага! Перед проведенням технічного обслуговування вимкніть інструмент та від'єднайте його від розетки.

- Регулярно очищайте вентиляційні отвори інструменту, використовуючи м'яку щітку або суху ганчірку.
- Регулярно очищайте корпус мотору, використовуючи вологу ганчірку. Не використовуйте абразивні очищувачі та засоби, що містять розчинники.

Важливо! Для забезпечення БЕЗПЕКИ та НАДІЙНОСТІ продукту, ремонт, технічне обслуговування та налаштування (крім зазначених в цьому посібнику) повинні здійснюватися офіційними центрами обслуговування або іншими кваліфікованими спеціалістами, завжди з використанням ідентичних заміennих частин.

Насадки

Продуктивність роботи інструменту залежить від витратних матеріалів, які ви використовуєте. Насадки виробництва компанії BLACK+DECKER розроблені з дотриманням високих стандартів якості та створені для підвищення ефективності використання вашого інструменту. Використовуючи це обладнання, ви отримаєте максимум ефективності від вашого інструменту.

Інформація про обслуговування

Компанія BLACK+DECKER пропонує повну мережу офіційних центрів обслуговування, що належать компанії. В усіх центрах обслуговування компанії BLACK+DECKER працюють кваліфіковані спеціалісти, які надають клієнтам ефективне та надійне обслуговування електричного інструменту. Для отримання додаткової інформації про офіційні центри та якщо вам потрібна технічна консультація, ремонт або оригінальні заводські заміennі частини, зверніться до найближчого офісу компанії BLACK+DECKER або відвідайте наш сайт www.BlackandDecker-ia.com

Захист навколишнього середовища

Роздільний збір відходів. Забороняється утилізувати цей продукт разом зі звичайними побутовими відходами.

Якщо ви вирішите, що ваш виріб BLACK+DECKER необхідно замінити, або якщо ви не будете його більше використовувати, не утилізуйте його разом із побутовими відходами. Цей продукт підлягає роздільному збору відходів.



Роздільний збір використаних продуктів та пакувальних матеріалів дозволяє здійснювати їх вторинну переробку з подальшим повторним використанням. Використання матеріалів, що пройшли вторинну переробку, знижує забруднення навколишнього середовища та зменшує потребу в сировинних матеріалах.

Нормативні акти місцевих органів влади можуть передбачати збір використаних електричних виробів окремо від побутових відходів, в муніципальних пунктах збору відходів або в магазині при покупці нового обладнання.

Компанія BLACK+DECKER надає можливість для збору та повторної переробки продуктів BLACK+DECKER після закінчення терміну їх служби. Щоб скористатися перевагою цього сервісу, будь ласка, надішліть ваш продукт будь-якому уповноваженому представнику з ремонту, який збирає такі вироби від нашого імені.

Ви можете дізнатися адресу нашого найближчого уповноваженого представника з ремонту, зателефонувавши в регіональне представництво BLACK+DECKER, вказане в цій інструкції. Крім того,

список уповноважених представників з ремонту BLACK+DECKER, детальну інформацію про обслуговування після продажу та контактні дані можна знайти на сайті: www.2helpU.com.

Технічні характеристики

		KR5010	KR5010V
Живлення	Вт	550	550
Напряження	В	220-240	220-240
Частота	Гц	50/60	50/60
Затискний патрон	мм	10	10
Швидкість без навантаження	об / хв	2900	0-2900
Дюйм/хв - уд/хв	LPM	47600	0-47600
Максимальна глиби-на свердління			
Сталь/бетон	мм	10	10
Деревина	мм	20	20
Вага	кг	1,4	1,4

Рівень звукового тиску згідно з EN 60745:

Звуковий тиск (L_{pA}) 101,6 дБ(A), розкид (K) 3 дБ(A)

Звукова потужність (L_{WA}) 112,6 дБ(A), розкид (K) 3 дБ(A)

Загальні значення вібрації (векторна сума трьох векторів) згідно з EN 60745:

Ударне свердління цегли (ah, ID) 4,6 м/с², похибка (K)

1,5 м/с², Свердління металу (ah, D) 15,2 м/с², похибка (K) 1,5 м/с²

Декларація відповідності ЄС

ДИРЕКТИВА ПО МАШИННОМУ ОБЛАДНАННЮ

**KR5010, KR5010V ударний дріль**

BLACK+DECKER заявляє, що вироби, описані в «технічних даних», відповідають: 2006/42/EC, EN 60745-1:2009 + A11:2010, EN 60745-2-1:2010.

Такі вироби відповідають вимогам Директиви і EN 55014-1:2006 + A1:2009 + A2:2011, EN 55014-2:1997 + A1:2001 + A2:2008, EN 61000-3-2:2014, EN 61000-3-3:2013 2014/30 / ЄС і 2011/65 / ЄС.

Для отримання більш детальної інформації, будь ласка, зв'яжіться з BLACK+DECKER за адресою, яка вказана нижче або на зворотній стороні інструкції.

Нижчепідписаний є відповідальним за складання файлу з технічними даними та підписує цю декларацію від імені BLACK+DECKER.

R. Laverick

Головний інженер
BLACK+DECKER Europe, 210 Bath Road,
Slough,
Berkshire, SL1 3YD
United Kingdom
10,2015

Гарантія

Компанія Black+Decker впевнена в якості своїх виробів та надає виняткову гарантію. Дана заява про гарантії доповнює і ні в якій мірі не порушує ваші законні права.

Якщо продукт виробництва Black + Decker прийде в непридатність внаслідок неякісних матеріалів, неякісного виготовлення або невідповідності вимогам, BLACK+DECKER гарантує в межах 24-х місяців з дати продажу виконання заміни дефектних деталей, виконання ремонту виробів, які зазнали природного зносу, або виконання заміни таких виробів, для зведення до мінімуму незручностей для покупця, за винятком перерахованих нижче випадків:

- Даний продукт був використаний для продажу, на промислових роботах або здавався на прокат.
- Даний продукт використовувався неправильно або без належного догляду.
- Даному продукту було завдано збитків сторонніми предметами, речовинами або внаслідок надзвичайної події.
- Була здійснена спроба ремонту продукту особами, які не є уповноваженими представниками з ремонту або ремонтно-обслуговуючим персоналом Black+Decker.

Щоб заявити претензію по гарантії, необхідно буде надати підтвердження покупки продавцю або уповноваженому представнику з ремонту. Ви можете дізнатися адресу вашого найближчого уповноваженого представника з ремонту, зателефонувавши в регіональне представництво BLACK+DECKER, вказане в цій інструкції. Крім того, список уповноважених представників з ремонту BLACK+DECKER, детальну інформацію про обслуговування після продажу та контактні дані можна знайти на сайті: www.2helpU.com



Гарантійні умови

Шановний покупець!

1. Вітаємо Вас з покупкою високоякісного виробу BLACK + DECKER і висловлюємо вдячність за Ваш вибір.
2. При покупці виробу вимагайте перевірки його комплекtnості і справності у Вашій присутності, інструкцію з експлуатації та заповнений гарантійний талон українською мовою
В гарантійному талоні повинні бути внесені: модель, дата продажу, серійний номер, дата виробництва інструменту; назва, печатка і підпис торгової організації. За відсутності у Вас правильно заповненого гарантійного талону, а також при невідповідності зазначеним у ньому даних ми будемо змушені відхилити Ваші претензії щодо якості даного виробу.
3. Щоб уникнути непорозумінь, переконливо просимо Вас перед початком роботи з виробом уважно ознайомитися з інструкцією з його експлуатації. Правовою основою справжніх гарантійних умов є чинне Законодавство. Гарантійний термін на даний виріб складає 24 місяці і обчислюється з дня продажу. У разі усунення недоліків виробу, гарантійний строк продовжується на період його перебування в ремонті. Термін служби виробу становить 5 років з дня продажу.
4. У разі виникнення будь-яких проблем у процесі експлуатації виробу рекомендуємо Вам звертатися тільки в уповноважені сервісні центри BLACK + DECKER, адреси та телефони яких Ви зможете знайти в гарантійному талоні, на сайті www.2helpU.com або дізнатися в магазині. Наші сервісні станції - це не тільки кваліфікований ремонт, але і широкий асортимент запчастин і аксесуарів.
5. Виробник рекомендує проводити періодичну перевірку і технічне обслуговування виробу в уповноважених сервісних центрах.
6. Наші гарантійні зобов'язання поширюються тільки на несправності, виявлені протягом гарантійного терміну і викликані дефектами виробництва та \ або матеріалів.
7. Гарантійні умови не поширюються на несправності виробу, що виникли в результаті:
- 7.1 Недотримання користувачем приписів інструкції з експлуатації виробу, застосування виробу не за призначенням, неправильного зберігання, використання приладдя, витратних матеріалів і запчастин, що не передбачені виробником.

- 7.2 Механічного пошкодження (відколи, тріщини і руйнування) внутрішніх і зовнішніх деталей виробу, основних і допоміжних рукояток, мережевого кабелю, що викликані зовнішнім ударним або будь-яким іншим впливом
- 7.3 Потраплення у вентиляційні отвори та проникнення всередину виробу сторонніх предметів, матеріалів або речовин, що не є відходами, які супроводжують застосування виробу за призначенням, такими як: стружка, тирса, пісок, та ін.
- 7.4 Впливу на виріб несприятливих атмосферних і інших зовнішніх факторів, таких як дощ, сніг, підвищена вологість, нагрівання, агресивні середовища, невідповідність параметрів електромережі, що зазначені на інструменті.
- 7.5 Стихійного лиха. Пошкодження або втрати виробу, що пов'язані з непередбаченими лихами, стихійними явищами, у тому числі внаслідок дії непереборної сили (пожежа, блискавка, потоп і інші природні явища), а також внаслідок перепадів напруги в електромережі та іншими причинами, які знаходяться поза контролем виробника.
8. Гарантійні умови не поширюються:
- 8.1 На інструменти, що піддавались розкриттю, ремонту або модифікації поза уповноваженим сервісним центром.
- 8.2 На деталі, вузли та матеріали, що мають сліди природного зносу, такі як: приводні ремені і колеса, вугільні щітки, мастило, підшипники, зубчасті зчеплення редукторів, гумові ущільнення, сальники, направляючі ролики, муфти, вимикачі, бойки, штовхачі, стволи тощо.
- 8.3 На змінні частини: патрони, цанги, затискні гайки і фланці, фільтри, акумуляторні батареї, ножі, шліфувальні підшви, ланцюги, зірочки, пильні шини, захисні кожухи, пилки, абразиви, пильні і абразивні диски, фрези, свердла, бури тощо
- 8.4 На несправності, що виникли в результаті перевантаження інструменту (як механічного), так і електричного), що спричинили вихід з ладу одночасно двох і більше деталей і вузлів, таких як: ротора і статора, обох обмоток статора, веденої і ведучої шестерень редуктора або інших вузлів і деталей. До безумовних ознак перевантаження виробу відносяться, крім інших: поява кольорів мінливості, деформація або оплавлення деталей і вузлів виробу, потемніння або обуглювання ізоляції проводів електродвигуна під впливом високої температури.



Виробник:
"Stanley BLACK+DECKER Deutschland GmbH" Black-&-Decker Str.40, D-65510 Idstein, Німеччина

