

EN

FR

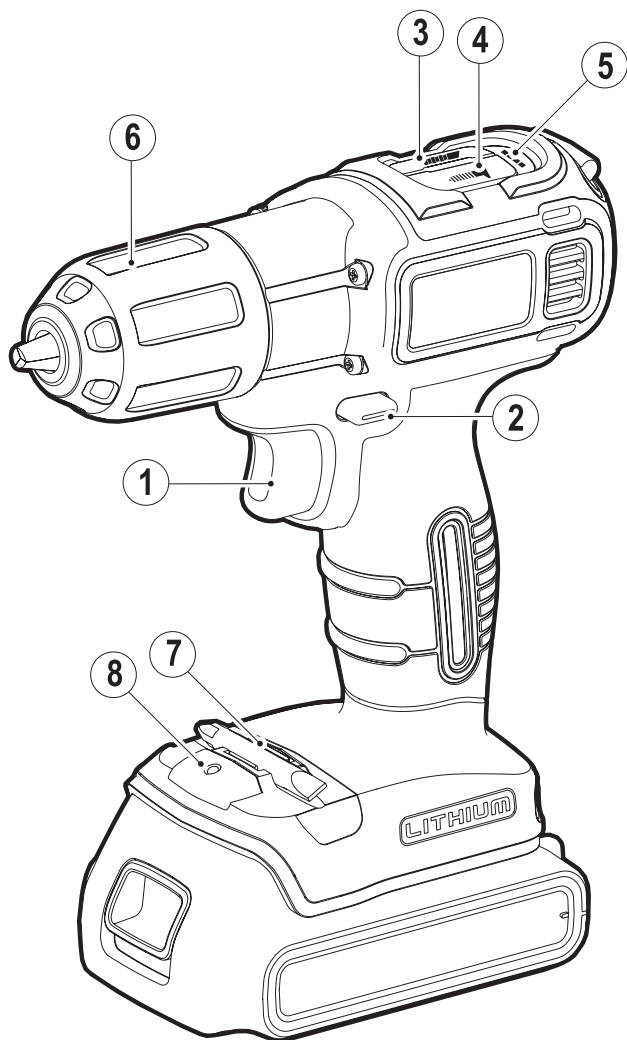
PT

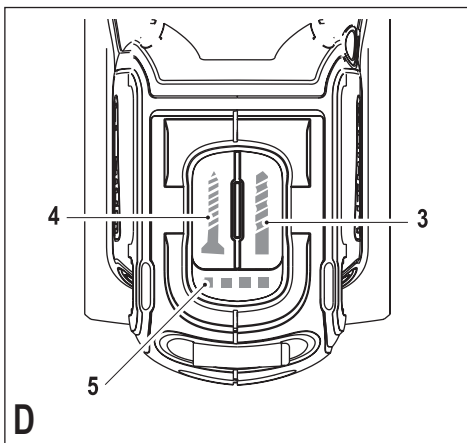
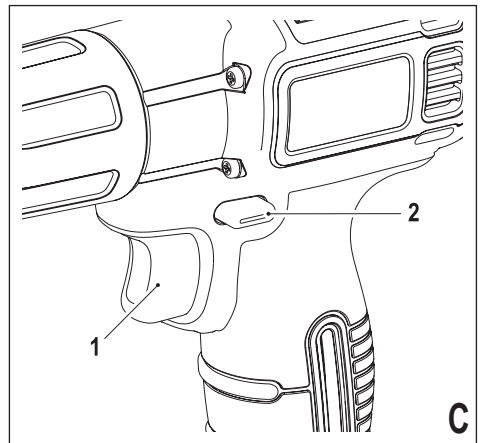
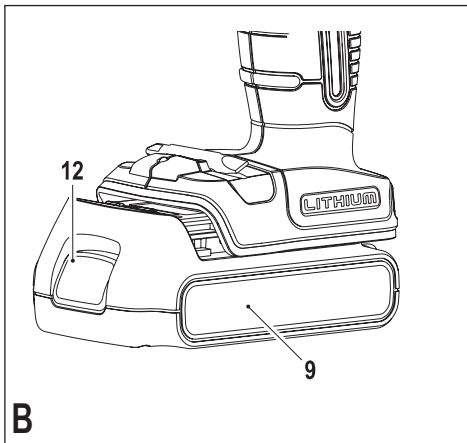
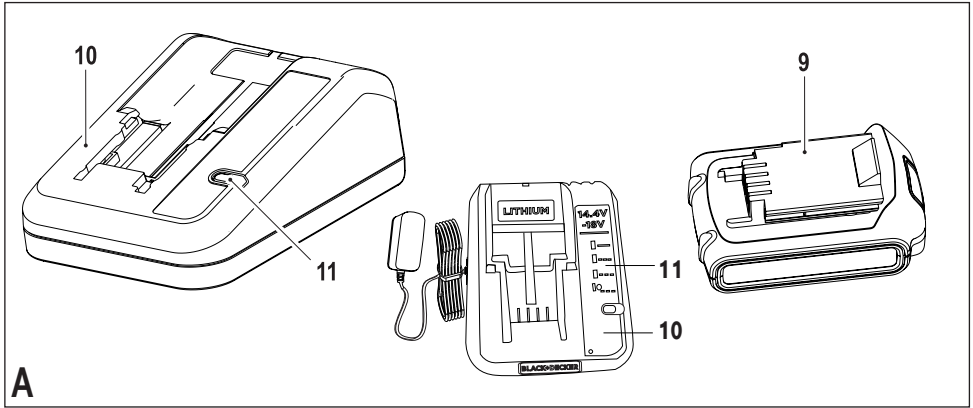
RU

TR

UA

AR





Intended use

Your BLACK+DECKER drill/screwdriver has been designed for screwdriving applications and for drilling in wood, metal, plastics and soft masonry. This tool is intended for consumer use only.

Safety instructions

General power tool safety warnings



Warning! Read all safety warnings and all instructions. Failure to follow the warnings and instructions listed below may result in electric shock, fire and/or serious injury.

Save all warnings and instructions for future reference. The term "power tool" in all of the warnings listed below refers to your mains operated (corded) power tool or battery operated (cordless) power tool.

1. Work area safety

- a. **Keep work area clean and well lit.**
Cluttered or dark areas invite accidents.
- b. **Do not operate power tools in explosive atmospheres, such as in the presence of flammable liquids, gases or dust.** Power tools create sparks which may ignite the dust or fumes.
- c. **Keep children and bystanders away while operating a power tool.**
Distractions can cause you to lose control.

2. Electrical safety

- a. **Power tool plugs must match the outlet. Never modify the plug in any way. Do not use any adapter plugs with earthed (grounded) power tools.** Unmodified plugs and matching outlets will reduce risk of electric shock.
- b. **Avoid body contact with earthed or grounded surfaces such as pipes, radiators, ranges and refrigerators.**
There is an increased risk of electric shock if your body is earthed or grounded.
- c. **Do not expose power tools to rain or wet conditions.** Water entering a power tool will increase the risk of electric shock.

- d. **Do not abuse the cord. Never use the cord for carrying, pulling or unplugging the power tool. Keep cord away from heat, oil, sharp edges or moving parts.**
Damaged or entangled cords increase the risk of electric shock.
- e. **When operating a power tool outdoors, use an extension cord suitable for outdoor use.** Use of a cord suitable for outdoor use reduces the risk of electric shock.
- f. **If operating a power tool in a damp location is unavoidable, use a residual current device (RCD) protected supply.** Use of an RCD reduces the risk of electric shock.

3. Personal safety

- a. **Stay alert, watch what you are doing and use common sense when operating a power tool. Do not use a power tool while you are tired or under the influence of drugs, alcohol or medication.** A moment of inattention while operating power tools may result in serious personal injury.
- b. **Use personal protective equipment. Always wear eye protection.** Protective equipment such as dust mask, non-skid safety shoes, hard hat, or hearing protection used for appropriate conditions will reduce personal injuries.
- c. **Prevent unintentional starting. Ensure the switch is in the off-position before connecting to power source and/or battery pack, picking up or carrying the tool.** Carrying power tools with your finger on the switch or energising power tools that have the switch on invites accidents.
- d. **Remove any adjusting key or wrench before turning the power tool on.** A wrench or a key left attached to a rotating part of the power tool may result in personal injury.
- e. **Do not overreach. Keep proper footing and balance at all times.** This enables better control of the power tool in unexpected situations.

f. Dress properly. Do not wear loose clothing or jewellery. Keep your hair, clothing and gloves away from moving parts. Loose clothes, jewellery or long hair can be caught in moving parts.

g. If devices are provided for the connection of dust extraction and collection facilities, ensure these are connected and properly used. Use of dust collection can reduce dust-related hazards.

4. Power tool use and care

a. Do not force the power tool. Use the correct power tool for your application. The correct power tool will do the job better and safer at the rate for which it was designed.

b. Do not use the power tool if the switch does not turn it on and off. Any power tool that cannot be controlled with the switch is dangerous and must be repaired.

c. Disconnect the plug from the power source and/or the battery pack from the power tool before making any adjustments, changing accessories, or storing power tools. Such preventive safety measures reduce the risk of starting the power tool accidentally.

d. Store idle power tools out of the reach of children and do not allow persons unfamiliar with the power tool or these instructions to operate the power tool. Power tools are dangerous in the hands of untrained users.

e. Maintain power tools. Check for misalignment or binding of moving parts, breakage of parts and any other condition that may affect the power tools operation. If damaged, have the power tool repaired before use. Many accidents are caused by poorly maintained power tools.

f. Keep cutting tools sharp and clean. Properly maintained cutting tools with sharp cutting edges are less likely to bind and are easier to control.

g. Use the power tool, accessories and tool bits etc. in accordance with these instructions, taking into account the working conditions and the work to be performed. Use of the power tool for operations different from those intended could result in a hazardous situation.

5. Battery tool use and care

a. Recharge only with the charger specified by the manufacturer. A charger that is suitable for one type of battery pack may create a risk of fire when used with another battery pack.

b. Use power tools only with specifically designated battery packs. Use of any other battery packs may create a risk of injury and fire.

c. When battery pack is not in use, keep it away from other metal objects, like paper clips, coins, keys, nails, screws, or other small metal objects, that can make a connection from one terminal to another. Shorting the battery terminals together may cause burns or a fire.

d. Under abusive conditions, liquid may be ejected from the battery; avoid contact. If contact accidentally occurs, flush with water. If liquid contacts eyes, additionally seek medical help. Liquid ejected from the battery may cause irritation or burns.

6. Service

a. Have your power tool serviced by a qualified repair person using only identical replacement parts. This will ensure that the safety of the power tool is maintained.

Additional power tool safety warnings



Warning! Additional safety warnings for drills and impact drills

- **Wear ear protectors with impact drills.** Exposure to noise can cause hearing loss.
- **Use auxiliary handles supplied with the tool.** Loss of control can cause personal injury.

- **Hold power tool by insulated gripping surfaces when performing an operation where the cutting accessory may contact hidden wiring.** Cutting accessory contacting a "live" wire may make exposed metal parts of the power tool "live" and could give the operator an electric shock.
- **Hold power tool by insulated gripping surfaces when performing an operation where the fastener may contact hidden wiring.** Fasteners contacting a "live" wire may make exposed metal parts of the power tool "live" and could give the operator an electric shock.
- **Use clamps or another practical way to secure and support the workpiece to a stable platform.** Holding the work by hand or against your body leaves it unstable and may lead to loss of control.
- Before drilling into walls, floors or ceilings, check for the location of wiring and pipes.
- Avoid touching the tip of a drill bit just after drilling, as it may be hot.
- This tool is not intended for use by persons (including children) with reduced physical, sensory or mental capabilities, or lack of experience and knowledge, unless they have been given supervision or instruction concerning use of the appliance by a person responsible for their safety. Children should be supervised to ensure that they do not play with the appliance.
- The intended use is described in this instruction manual. The use of any accessory or attachment or performance of any operation with this tool other than those recommended in this instruction manual may present a risk of personal injury and/or damage to property.

Residual risks

Additional residual risks may arise when using the tool which may not be included in the enclosed safety warnings. These risks can arise from misuse, prolonged use etc.

Even with the application of the relevant safety regulations and the implementation

of safety devices, certain residual risks can not be avoided. These include:

- Injuries caused by touching any rotating/moving parts.
- Injuries caused when changing any parts, blades or accessories.
- Injuries caused by prolonged use of a tool. When using any tool for prolonged periods ensure you take regular breaks.
- Impairment of hearing.
- Health hazards caused by breathing dust developed when using your tool (example:- working with wood, especially oak, beech and MDF.)

Vibration

The declared vibration emission values stated in the technical data and the declaration of conformity have been measured in accordance with a standard test method provided by EN 60745 and may be used for comparing one tool with another. The declared vibration emission value may also be used in a preliminary assessment of exposure.

Warning! The vibration emission value during actual use of the power tool can differ from the declared value depending on the ways in which the tool is used. The vibration level may increase above the level stated.

When assessing vibration exposure to determine safety measures required by 2002/44/EC to protect persons regularly using power tools in employment, an estimation of vibration exposure should consider, the actual conditions of use and the way the tool is used, including taking account of all parts of the operating cycle such as the times when the tool is switched off and when it is running idle in addition to the trigger time.

Labels on tool

The following pictograms are shown on the tool:



Warning! To reduce the risk of injury, the user must read the instruction manual.

Additional safety instructions for batteries and chargers

Batteries

- Never attempt to open for any reason.
- Do not expose the battery to water.
- Do not store in locations where the temperature may exceed 40 °C.
- Charge only at ambient temperatures between 10 °C and 40 °C.
- Charge only using the charger provided with the tool.
- When disposing of batteries, follow the instructions given in the section "Protecting the environment".



Do not attempt to charge damaged batteries.

Chargers

- Use your BLACK+DECKER charger only to charge the battery in the tool with which it was supplied. Other batteries could burst, causing personal injury and damage.
- Never attempt to charge non-rechargeable batteries.
- Have defective cords replaced immediately.
- Do not expose the charger to water.
- Do not open the charger.
- Do not probe the charger.



The charger is intended for indoor use only.



Read the instruction manual before use.

Electrical safety



Your charger is double insulated; therefore no earth wire is required. Always check that the mains voltage corresponds to the voltage on the rating plate. Never attempt to replace the charger unit with a regular mains plug.

- If the supply cord is damaged, it must be replaced by the manufacturer or an authorised BLACK+DECKER Service Centre in order to avoid a hazard.

Features

This tool includes some or all of the following features.

1. Variable speed switch
2. Forward/reverse slider
3. Drill mode selector
4. Screwdriver mode selector
5. State of charge indicator
6. Single sleeve chuck
7. Bit holder
8. LED work light

Fig. A

9. Battery
10. Charger
11. Charge Indicator

Assembly

Warning! Before assembly, remove the battery from the tool.

Fitting and removing the battery (fig. B)

- To fit the battery (9), line it up with the receptacle on the tool. Slide the battery into the receptacle and push until the battery snaps into place.
- To remove the battery, push the release button (12) while at the same time pulling the battery out of the receptacle.

Fitting and removing a drill bit or screwdriver bit

This tool is fitted with a keyless chuck to allow for an easy exchange of bits.

- Lock the tool by setting the forward/reverse slider (2) to the centre position.
- Open the single sleeve chuck (6) by turning it.

- Insert the bit shaft into the chuck and firmly tighten the single sleeve chuck.

This tool is supplied with a screwdriver bit in the bit holder (7).

- To remove the screwdriver bit from the bit holder, lift the bit from the recess.
- To store the screwdriver bit, firmly push it into the holder.

Warning! Do not attempt to tighten drill bits (or any other accessory) by gripping the single sleeve chuck and turning the tool on. Damage to the single sleeve chuck and personal injury may occur when changing accessories.

Use

Warning! Let the tool work at its own pace. Do not overload.

Warning! Before drilling into walls, floors or ceilings, check for the location of wiring and pipes.

Charging the battery (fig. A)

The battery needs to be charged before first use and whenever it fails to produce sufficient power on jobs that were easily done before. The battery may become warm while charging; this is normal and does not indicate a problem.

Warning! Do not charge the battery at ambient temperatures below 10 °C or above 40 °C. Recommended charging temperature: approx. 24 °C.

Note: The charger will not charge a battery if the cell temperature is below approximately 10°C or above 40°C. The battery should be left in the charger and the charger will begin to charge automatically when the cell temperature warms up or cools down.

- To charge the battery (8), insert it into the charger (9). The battery will only fit into the charger in one way. Do not force. Be sure that the battery is fully seated in the charger.
- Plug in the charger and switch on at the mains.

The charging indicator (10) will blink.

The charge is complete when the charging indicator (10) switches to continuously on. The charger and the battery can be left connected indefinitely. The LED will switch on as the charger occasionally tops up the battery charge.

- Charge discharged batteries within 1 week. Battery life will be greatly diminished if stored in a discharged state.

Leaving the battery in the charger

The charger and battery pack can be left connected with the LED glowing indefinitely. The charger will keep the battery pack fresh and fully charged.

Charger diagnostics

If the charger detects a weak or damaged battery, the charging indicator (10) will flash red at a fast rate. Proceed as follows:

- Re-insert the battery (8).
- If the charging indicators continues flashing red at a fast rate, use a different battery to determine if the charging process works properly.
- If the replaced battery charges correctly, the original battery is defective and should be returned to a service centre for recycling.
- If the new battery gives the same indication as the original battery, take the charger to be tested at an authorised services centre.

Note: It may take as long as 30 minutes to determine that the battery is defective. If the battery is too hot or too cold, the LED will alternately blink red, fast and slow, one flash at each speed and repeat.

Selecting the direction of rotation (fig. C)

For drilling and for tightening screws, use forward (clockwise) rotation. For loosening screws or removing a jammed drill bit, use reverse (counterclockwise) rotation.

- To select forward rotation, push the forward/reverse slider (2) to the left.

- To select reverse rotation, push the forward/reverse slider to the right.
- To lock the tool, set the forward/reverse slider into the centre position.

Switching on and off

- Select forward or reverse rotation using the forward/reverse slider (2).
- To switch the tool on, press the switch (1). The tool speed depends on how far you press the trigger switch.
- To switch the tool off, release the trigger switch.

Autoselect™ technology (fig. D)

- For drilling in wood, metal and plastics, press the drill mode selector button (3).
- For screwdriving, press the screwdriver mode selector button (4).

Autosense™ technology

In screwdrive mode, this tool is equipped with Autosense™ technology that helps drive screws accurately and without effort.

- Select Screwdrive mode & ensure the forward/reverse (2) is pushed to the left.
- Pull the trigger switch (1) to drive a screw into the workpiece and the tool will automatically stop when the screw is flush to the workpiece.
- If a deeper screw is desired, continue to hold the trigger switch. After a moment the drill will begin to rotate, to drive the screw to the desired depth at a more controllable pace.
- Once the desired depth is reached, release the trigger switch.

Note: If the screw stops half way, release the trigger switch (1) then press the trigger switch (1) to start again.

State of charge indicator (fig. D)

The tool is fitted with a state of charge indicator. This can be used to display the current level of charge in the battery during use.

- Press either the drill mode selector button (3) or the screwdriver mode selector button (4) to display the current state of charging.

LED work light

The LED work light (8) is activated automatically when the trigger is depressed. The LED work light will illuminate when the trigger is partially depressed, before the unit begins running.

Hints for optimum use

Drilling

- Always apply a light pressure in a straight line with the drill bit.
- Just before the drill tip breaks through the other side of the workpiece, decrease pressure on the tool.
- Use a block of wood to back up workpieces that may splinter.
- Use spade bits when drilling large diameter holes in wood.
- Use HSS drill bits when drilling in metal.
- Use a lubricant when drilling metals other than cast iron and brass.
- Make an indentation using a centre punch at the centre of the hole to be drilled in order to improve accuracy.

Screwdriving

- Always use the correct type and size of screwdriver bit.
- If screws are difficult to tighten, try applying a small amount of washing liquid or soap as a lubricant.
- Always hold the tool and screwdriver bit in a straight line with the screw.

Maintenance

Your BLACK+DECKER tool has been designed to operate over a long period of time with a minimum of maintenance. Continuous satisfactory operation depends upon proper tool care and regular cleaning.

Your charger does not require any maintenance apart from regular cleaning.

Warning! Before performing any maintenance on the tool, remove the battery from the tool. Unplug the charger before cleaning it.

- Regularly clean the ventilation slots in your tool and charger using a soft brush or dry cloth.
- Regularly clean the motor housing using a damp cloth. Do not use any abrasive or solvent-based cleaner.
- Regularly open the chuck and tap it to remove any dust from the interior.

Batteries



Run the battery down completely, then remove it from the tool.

- NiCd, NiMH and Li-Ion batteries are recyclable. Take them to any authorised repair agent or a local recycling station.

Technical data

ASD18 (Typ.1)		
Voltage	V _{DC}	18
No-load speed	Min ⁻¹	0-800
Max. torque (PTI Rating)	Nm	16/28
Chuck capacity	mm	10
Max Drilling capacity		
Steel/wood	mm	10/25

Charger 905998** (typ. 1)		
Input Voltage	V _{AC}	230
Output Voltage	V _{DC}	18
Current	mA	1000
Approx. charge time	h	1.5

Battery		BL1118	BL1318	BL1518
Voltage	V _{DC}	18	18	18
Capacity	Ah	1.1	1.3	1.5
Type		Li-Ion	Li-Ion	Li-Ion

Level of sound pressure according to EN 60745:
Sound pressure (L _{pA}) 67.1 dB(A), uncertainty (K) 3 dB(A)
Sound power (L _{WA}) 78.1 dB(A), uncertainty (K) 3 dB(A)

Vibration total values (triax vector sum) according to EN 60745:
Drilling into metal (a _{h,D}) < 2.5 m/s ² , uncertainty (K) 1.5 m/s ²
Screwdriving without impact (a _{h,z}) < 2.5 m/s ² , uncertainty (K) 1.5 m/s ²

EC declaration of conformity
MACHINERY DIRECTIVE



ASD18

BLACK+DECKER declares that these products described under "technical data" are in compliance with: 2006/42/EC, EN 60745-1, EN 60745-2-1

These products also comply with Directive 2004/108/EC and 2011/65/EU. For more information, please contact BLACK+DECKER at the following address or refer to the back of the manual.

The undersigned is responsible for compilation of the technical file and makes this declaration on behalf of BLACK+DECKER.

Kevin Hewitt

Vice-President Global Engineering
BLACK+DECKER Europe, 210 Bath Road, Slough,
Berkshire, SL1 3YD
United Kingdom
11.2015

Protecting the environment



Separate collection. This product must not be disposed of with normal household waste.

Should you find one day that your BLACK+DECKER product needs replacement, or if it is of no further use to you, do not dispose of it with household waste. Make this product available for separate collection.



Separate collection of used products and packaging allows materials to be recycled and used again. Reuse of recycled materials helps prevent environmental pollution and reduces the demand for raw materials.

Local regulations may provide for separate collection of electrical products from the household, at municipal waste sites or by the retailer when you purchase a new product.

BLACK+DECKER provides a facility for the collection and recycling of BLACK+DECKER products once they have reached the end of their working life. To take advantage of this service please return your product to any authorised repair agent who will collect them on our behalf.

You can check the location of your nearest authorised repair agent by contacting your local BLACK+DECKER office at the address indicated in this manual. Alternatively, a list of authorised BLACK+DECKER repair agents and full details of our after-sales service and contacts are available on the Internet at: www.2helpU.com.

Guarantee

Black + Decker is confident of the quality of its products and offers an outstanding guarantee. This guarantee statement is in addition to and in no way prejudices your statutory rights.

If a Black + Decker product becomes defective due to faulty materials, workmanship or lack of conformity, within 24 months from the date of purchase, BLACK+DECKER guarantees to replace defective parts, repair products subjected to fair wear and tear or replace such products to make sure of the minimum inconvenience to the customer unless:

- The product has been used for trade, professional or hire purposes.
- The product has been subjected to misuse or neglect.
- The product has sustained damage through foreign objects, substances or accidents.
- Repairs have been attempted by persons other than authorised repair agents or Black + Decker service staff.

To claim on the guarantee, you will need to submit proof of purchase to the seller or an authorised repair agent. You can check the location of your nearest authorised repair agent by contacting your local BLACK+DECKER office at the address indicated in this manual. Alternatively, a list of authorised BLACK+DECKER repair agents and full details of our aftersales service and contacts are available on the Internet at: www.2helpU.com

Utilisation

Votre perceuse/visseuse peut visser et percer le bois, le métal, le plastique et la pierre tendre. Cet outil est destiné à une utilisation exclusivement domestique.

Consignes de sécurité

Consignes de sécurité concernant les outils électroportatifs

Attention ! Lisez tous les avertissements et toutes les instructions. Le non-respect des avertissements et des instructions ci-dessous peut entraîner une électrocution, un incendie et/ou de graves blessures.



Conservez tous les avertissements et instructions pour référence ultérieure. La notion d'« outil électroportatif » mentionnée par la suite se rapporte à des outils électriques raccordés au secteur (avec câble de raccordement) ou fonctionnant avec piles (sans fil).

1. Sécurité de la zone de travail

- a. **Maintenez la zone de travail propre et bien éclairée.** Un lieu de travail en désordre ou mal éclairé augmente le risque d'accidents.
- b. **N'utilisez pas les outils électroportatifs dans un environnement présentant des risques d'explosion ni en présence de liquides, gaz ou poussières inflammables.** Les outils électroportatifs génèrent des étincelles risquant d'enflammer les poussières ou les vapeurs.
- c. **Tenez les enfants et autres personnes éloignés durant l'utilisation de l'outil électroportatif.** En cas d'inattention, vous risquez de perdre le contrôle.

2. Sécurité électrique

- a. **La prise de l'outil électroportatif doit être compatible avec la prise d'alimentation. Ne modifiez en aucun cas la prise. N'utilisez pas de prises d'adaptateur avec des appareils ayant une prise de terre.** Le respect de ces consignes réduit le risque de choc électrique.

- b. **Évitez le contact physique avec des surfaces mises à la terre telles que tuyaux, radiateurs, fours et réfrigérateurs.** Il y a un risque élevé de choc électrique si votre corps est relié à la terre.
- c. **N'exposez pas l'outil électroportatif à la pluie ou à l'humidité.** La pénétration d'eau dans un outil électroportatif augmente le risque de choc électrique.
- d. **Préservez le câble d'alimentation. N'utilisez pas le câble pour porter l'outil. Ne le tirez pas pour le débrancher. Maintenez le câble éloigné des sources de chaleurs, des parties huilées, des bords tranchants ou des parties de l'appareil en rotation.** Le risque de choc électrique augmente si les câbles sont endommagés ou emmêlés.
- e. **Si vous utilisez l'outil électroportatif à l'extérieur, utilisez une rallonge homologuée pour une utilisation à l'extérieur.** L'utilisation d'une rallonge électrique homologuée pour les travaux à l'extérieur réduit le risque de choc électrique.
- f. **Si l'outil doit être utilisé dans un endroit humide, prenez les précautions nécessaires en utilisant un dispositif à courant résiduel (RCD).** L'utilisation d'un tel dispositif réduit les risques d'électrocution.

3. Sécurité personnelle

- a. **Restez vigilant, surveillez ce que vous faites. Faites preuve de bon sens quand vous utilisez un outil électroportatif. N'utilisez pas l'outil lorsque vous êtes fatigué ou après avoir consommé de l'alcool ainsi que des médicaments.** Un moment d'inattention lors de l'utilisation de l'outil peut entraîner de graves blessures.
- b. **Portez un équipement de protection. Portez toujours des lunettes de protection.** Selon le travail à effectuer, le port d'équipement de protection tels que masque anti-poussières, chaussures de sécurité antidérapantes, casque ou protection auditive, réduit le risque de blessures.

- c. Évitez un démarrage imprévu. L'outil doit être en position OFF (arrêt) avant d'effectuer le branchement à l'alimentation et/ou au bloc-batterie, de le ramasser ou de le porter.** Ne laissez pas votre doigt sur le bouton de commande en le transportant. N'alimentez pas l'outil si le bouton est activé. Ceci pourrait être à l'origine d'accident.
- d. Enlevez tout outil ou clé de réglage avant de mettre l'appareil en marche.** Une clé ou un outil se trouvant sur une pièce en rotation peut causer des blessures.
- e. Adoptez une position confortable. Adoptez une position stable et gardez votre équilibre en permanence.** Vous contrôlerez mieux l'outil dans des situations inattendues.
- f. Portez des vêtements appropriés. Ne portez pas de vêtements amples ou de bijoux. N'approchez pas les cheveux, vêtements ou gants des parties des pièces mobiles.** Les vêtements amples, les bijoux ou les cheveux longs peuvent s'accrocher dans les pièces en mouvement.
- g. En cas d'utilisation d'appareils servant à aspirer ou à recueillir les poussières, assurez-vous qu'ils sont correctement raccordés et utilisés.** L'utilisation de tels dispositifs réduit les dangers dus aux poussières.
- 4. Utilisation des outils électroportatifs et précautions**
- a. Respectez la capacité de l'outil. Utilisez l'outil électroportatif correspondant au travail à effectuer.** Avec un outil approprié, vous travaillerez mieux et en toute sécurité.
- b. N'utilisez pas un outil électroportatif dont l'interrupteur est défectueux.** Un outil électroportatif qui ne peut plus être mis en marche/arrêt présente un danger et doit être réparé.
- c. Retirez la prise de courant et/ou débranchez le bloc-batterie avant d'effectuer des réglages, de changer les accessoires ou de ranger l'outil.** Cette mesure de précaution empêche de mettre l'outil en marche accidentellement.
- d. Rangez les outils électroportatifs hors de portée des enfants. Les personnes ne connaissant pas l'outil ou n'ayant pas lu ces instructions ne doivent en aucun cas l'utiliser.** Les outils électroportatifs sont dangereux lorsqu'ils sont utilisés par des personnes non initiées.
- e. Entretenez les outils électroportatifs. Vérifiez que les parties mobiles fonctionnent correctement et qu'elles ne sont pas coincées. Vérifiez qu'il n'y a pas de pièces cassées ou endommagées susceptibles de nuire au bon fonctionnement de l'outil. S'il est endommagé, faites réparer l'outil avant de l'utiliser.** De nombreux accidents sont dus à des outils électroportatifs mal entretenus.
- f. Maintenez les outils de coupe aiguisés et propres.** Des outils soigneusement entretenus avec des bords tranchants bien aiguisés se coincent moins souvent et peuvent être guidés plus facilement.
- g. Utilisez les outils électroportatifs, les accessoires, etc., en suivant ces instructions et en tenant compte des conditions de travail, ainsi que du travail à effectuer.** L'utilisation des outils électroportatifs à d'autres fins que celles prévues peut vous mettre en situation dangereuse.
- 5. Utilisation de la batterie et précautions**
- a. Ne rechargez qu'avec le chargeur proposé par le fabricant.** Un chargeur destiné à un type de bloc-batteries risque de provoquer des incendies s'il est utilisé avec un bloc-batteries différent.
- b. N'utilisez les appareils électroportatifs qu'avec le bloc-batterie approprié.** L'utilisation d'un autre bloc-batteries peut provoquer des blessures ou être à l'origine d'un feu.
- c. Quand le bloc-batterie n'est pas utilisé, éloignez-le d'objets en métal comme des agrafes, des pièces, des clés, des clous, des vis ou autres petits objets qui pourraient établir une connexion d'une borne à l'autre.** Un tel court-circuit peut être à l'origine d'un feu ou de brûlures.

- d. En cas d'utilisation excessive, le liquide peut sortir de la batterie; évitez tout contact. Si vous n'avez pu éviter le contact, rincez à l'eau. En cas de contact avec les yeux, consultez un médecin.** Le liquide sortant des batteries peut causer des irritations ou des brûlures.

6. Réparations

- a. Faites réparer votre outil électroportatif uniquement par du personnel qualifié et seulement avec des pièces de rechange appropriées.** Cela garantira le maintien de la sécurité de votre outil.

Consignes de sécurité supplémentaires concernant les outils électroportatifs



Attention ! Prendre encore plus de précautions pour les perceuses et les perceuses à percussion.

- **Portez un serre-tête antibruit si vous utilisez une perceuse à percussion.** L'exposition au bruit peut entraîner la perte de l'ouïe.
- **Utilisez les poignées auxiliaires livrées avec l'outil.** La perte de contrôle peut entraîner des blessures.
- **Tenez l'outil au niveau des surfaces de prise isolées. Ceci permet d'éviter les accidents en cas de contact de l'accessoire de coupe avec des fils cachés.** En touchant un fil sous tension, la charge électrique passe dans les parties métalliques de l'outil électroportatif et il y a risque de choc électrique.
- **Tenez l'outil au niveau des surfaces de prise isolées. Ceci permet d'éviter les accidents en cas de contact de la fixation avec des fils cachés.** En touchant un fil sous tension, la charge électrique passe dans les parties métalliques de l'outil électroportatif et il y a risque de choc électrique.
- **Utilisez des pinces ou autres pour fixer et soutenir la pièce de manière stable.** Si vous la tenez à la main ou contre votre corps, elle ne sera pas stable et vous pouvez en perdre le contrôle.
- Avant de percer les murs, les planchers ou les plafonds, vérifiez l'emplacement des câblages et des tuyaux.
- Évitez de toucher le bout d'un foret juste après avoir percé. Il peut être chaud.
- Cet outil ne peut être utilisé par des personnes (y compris des enfants) ayant des capacités mentales, sensorielles ou physiques réduites, ou celles manquant d'expérience et de connaissances, à moins qu'elles ne soient encadrées ou qu'elles n'aient été formées à l'utilisation de l'outil par une personne responsable de leur sécurité. Ne laissez jamais les enfants sans surveillance pour éviter qu'ils ne jouent avec cet outil.
- Les consignes d'utilisation sont données dans ce manuel d'instructions. L'utilisation d'un accessoire ou d'une fixation, ou bien l'utilisation de cet outil à d'autres fins que celles recommandées dans ce manuel d'instructions peut entraîner des blessures et/ou des dommages matériels.

Risques résiduels

L'utilisation de l'outil peut entraîner d'autres risques résiduels non mentionnés dans les consignes de sécurité données. Ces risques peuvent survenir si l'outil est mal utilisé, si l'utilisation est prolongée, etc.

Malgré l'application des normes de sécurité correspondantes et la présence de dispositifs de sécurité, les risques résiduels suivants ne peuvent être évités. Ceci comprend :

- Les blessures dues au contact avec une pièce mobile/en rotation.
- Les blessures causées en changeant des pièces, lames ou accessoires.
- Les blessures dues à l'utilisation prolongée d'un outil. Une utilisation prolongée de l'outil nécessite des pauses régulières.
- Déficience auditive.
- Risques pour la santé causés par l'inhalation de poussières produites pendant l'utilisation de l'outil (exemple : travail avec du bois, surtout le chêne, le hêtre et les panneaux en MDF).

Vibration

Les valeurs d'émission de vibration mentionnées dans les données techniques et la déclaration de conformité ont été mesurées selon une méthode d'essai standard fournie par la norme EN 60745 et peuvent être utilisées à des fins de comparaison avec d'autres outils. Elle peut aussi être utilisée pour une évaluation préliminaire à l'exposition.

Attention ! Selon la manière dont l'outil est utilisé, la valeur des émissions de vibration pendant l'utilisation de l'outil peut être différente de la valeur déclarée. Le niveau de vibration peut augmenter au-dessus du niveau établi.

Quand l'exposition aux vibrations est évaluée afin de déterminer les mesures de sécurité requises par la norme 2002/44/CE pour protéger les personnes utilisant régulièrement des outils électroportatifs, il faut tenir compte d'une estimation de l'exposition aux vibrations, des conditions actuelles d'utilisation et de la manière dont l'outil est utilisé. Il faut aussi tenir compte de toutes les pièces du cycle de fonctionnement comme la durée pendant laquelle l'outil est arrêté et quand il fonctionne au ralenti, ainsi que la durée du déclenchement.

Étiquettes apposées sur l'outil

Les pictogrammes ci-dessous se trouvent sur l'outil :



Attention ! Pour réduire les risques de blessure, l'utilisateur doit lire le manuel d'instructions.

Consignes de sécurité supplémentaires concernant les batteries et les chargeurs

Batteries

- Ne chargez qu'à température ambiante comprise entre 10 °C et 40 °C.
- N'utilisez que le chargeur fourni avec l'outil.
- Pour la mise au rebut des batteries, suivez les instructions décrites à la section « Protection de l'environnement ».



N'essayez pas de charger des batteries endommagées.

Chargeurs

- N'utilisez votre chargeur BLACK+DECKER que pour charger la batterie fournie avec l'outil. D'autres batteries pourraient exploser, provoquant des blessures et des dommages.
- Ne tentez jamais de recharger des batteries non rechargeables.
- Remplacez immédiatement les fils électriques endommagés.
- N'approchez pas le chargeur de l'eau.
- N'ouvrez pas le chargeur.
- Ne testez pas le chargeur.



Le chargeur est conçu pour être utilisé exclusivement à l'intérieur.



Lisez le manuel d'instruction avant d'utiliser l'outil.

Sécurité électrique



Votre chargeur est doublement isolé et ne nécessite donc pas de câble de terre. Vérifiez toujours si la tension indiquée sur la plaque signalétique de l'appareil correspond à la tension de secteur. N'essayez jamais de remplacer le chargeur par une prise secteur.

- Si le câble d'alimentation est endommagé, il doit être remplacé par le fabricant ou par un Centre de réparation agréé BLACK+DECKER pour éviter tout risque.

Caractéristiques

Cet outil présente la totalité ou une partie des caractéristiques suivantes.

1. Sélecteur de vitesse
2. Bouton de commande avant/arrière
3. Sélecteur de mode de perçage
4. Sélecteur de mode de vissage
5. Témoin du niveau de charge
6. Mandrin à manchon unique
7. Support d'embout
8. Lampe de travail

Figure A

9. Batterie
10. Chargeur
11. Témoin de charge

Assemblage

Attention ! Avant l'assemblage, retirez la batterie de l'outil.

Installation et retrait de la batterie (figure B)

- Pour installer la batterie (9), alignez-la sur le boîtier de l'outil. Glissez la batterie dans le boîtier et poussez-la jusqu'à ce qu'elle se bloque en position.
- Pour retirer la batterie, poussez le bouton de dégagement (12) en tirant simultanément sur la batterie pour l'extraire du boîtier.

Mise en place et retrait d'un foret ou de l'embout du tournevis

Cet outil est équipé d'un mandrin auto-serrant qui facilite les changements de forets.

- Pour verrouiller l'outil, placez le bouton de commande avant/arrière (2) au centre.
- Ouvrez le mandrin à manchon unique (6) en le faisant tourner.
- Insérez la tige du foret dans le mandrin, puis serrez fermement le mandrin à manchon unique.

Cet outil est fourni avec un embout de tournevis dans le support (7).

- Pour retirer l'embout de tournevis du support, soulevez l'embout de la fente.
- Pour ranger l'embout, poussez-le fermement dans le support.

Attention ! N'essayez pas de serrer les forets (ou autres accessoires) en saisissant le mandrin à manchon unique et en mettant l'outil sous tension. Cela pourrait endommager le mandrin à manchon unique et provoquer des blessures corporelles lors du changement d'accessoires.

Utilisation

Attention ! Laissez l'outil fonctionner à sa propre vitesse. Ne le poussez pas au-delà de sa limite.

Attention ! Avant de percer les murs, les planchers ou les plafonds, vérifiez l'emplacement des câblages et des tuyaux.

Charge de la batterie (figure A)

La batterie doit être chargée avant la première utilisation et chaque fois qu'elle semble faible. La batterie peut chauffer pendant la charge. Ce phénomène est normal et n'indique pas un problème.

Attention ! Ne chargez pas la batterie si la température ambiante est inférieure à 10 °C ou supérieure à 40 °C. Température de charge recommandée : environ 24 °C.

Remarque : Le chargeur ne chargera pas le bloc-batteries si la température de l'élément est inférieure à environ 10 °C ou supérieure à 40 °C.

La batterie doit rester dans le chargeur et le chargeur commence automatiquement la charge quand la température de l'élément se réchauffe ou se refroidit.

- Pour charger la batterie (8), insérez-la dans le chargeur (9). Il n'y a qu'un moyen d'insérer la batterie dans le chargeur. Ne forcez pas. Assurez-vous que la batterie est complètement enclenchée dans le chargeur.
- Branchez le chargeur sur l'alimentation secteur et mettez-le sous tension.

Le témoin de charge (10) clignote.

La charge est terminée quand le témoin de charge (10) reste allumé. Le chargeur et la batterie peuvent rester connectés en permanence. Le témoin s'éteint si le chargeur détecte qu'il faut compléter la charge de la batterie.

- Rechargez les batteries toutes les semaines. Il est préférable de ne pas ranger la batterie si elle est déchargée. La durée de vie de la batterie en serait limitée.

Batterie en place dans le chargeur

Le chargeur et le bloc-batterie peuvent rester connectés en permanence avec le témoin allumé. Le chargeur maintient le bloc-batteries complètement chargé.

Diagnostique du chargeur

Si le chargeur détecte un endommagement ou une usure de la batterie, le témoin de charge (10) clignote rapidement en rouge. Procédez comme suit :

- Réinsérez la batterie (8).
- Si les témoins de charge continuent de clignoter rapidement en rouge, déterminez à l'aide d'une autre batterie si le processus de charge fonctionne correctement.
- Si la batterie d'essai se charge correctement, la batterie d'origine est défectueuse et doit être renvoyée au centre de réparation pour être recyclée.
- Si la nouvelle batterie signale le même problème, demandez à un centre de réparation autorisé de tester le chargeur.

Remarque : la détection de la défaillance peut prendre jusqu'à 30 minutes. Si la batterie est trop chaude ou trop froide, le témoin alterne un clignotement lent, puis un clignotement rapide en rouge et ainsi de suite.

Sélection du sens de rotation (figure C)

Pour percer ou pour serrer les vis, utilisez la rotation dans le sens des aiguilles d'une montre. Pour desserrer les vis ou retirer un foret bloqué, utilisez la rotation dans le sens inverse des aiguilles d'une montre.

- Pour sélectionner la rotation dans le sens des aiguilles d'une montre, poussez le bouton de commande avant/arrière (2) vers la gauche.
- Pour sélectionner la rotation dans le sens inverse des aiguilles d'une montre, poussez le bouton de commande avant/arrière vers la droite.
- Pour verrouiller l'outil, placez le bouton de commande avant/arrière au centre.

Mise en marche et arrêt

- Pour sélectionner la rotation avant ou arrière, utilisez le bouton de commande avant/arrière (2).
- Pour mettre l'outil en marche, appuyez sur le sélecteur (1). La vitesse de l'outil dépend de la pression sur le déclencheur.
- Pour arrêter l'outil, relâchez le déclencheur.

Technologie Autoselect™ (figure D)

- Pour percer dans du bois, du métal et du plastique, appuyez sur le sélecteur de mode de perçage (3).
- Pour visser, appuyez sur le sélecteur de mode de vissage (4).

Technologie Autosense™

En mode de vissage, cet outil est doté de la technologie Autosense™ qui permet de visser avec précision et sans effort.

- Sélectionnez le mode de vissage et assurez-vous que le bouton de commande avant/arrière (2) est poussé vers la gauche.
- Tirez sur le déclencheur marche/arrêt (1) pour visser une vis dans la pièce de travail ; l'outil s'arrête automatiquement quand la vis est au niveau de la pièce.
- Si vous souhaitez visser plus profondément, continuez à maintenir le déclencheur marche/arrêt. Après un moment, la rotation de l'embout commence et la vis peut être vissée jusqu'à la profondeur souhaitée à un rythme plus facile à contrôler.

- Une fois que la profondeur souhaitée est atteinte, relâchez le déclencheur.

Remarque: Si la vis s'arrête à mi-chemin, relâchez la gâchette (1) puis appuyez sur la gâchette (1) pour recommencer.

Témoin du niveau de charge (figure D)

L'outil est équipé d'un témoin de niveau de charge. Il permet d'afficher le niveau de charge de la batterie pendant l'utilisation.

- Appuyez sur le sélecteur de mode de perçage (3) ou sur le sélecteur de mode de vissage (4) pour afficher le niveau de charge actuel.

Lampe de travail

La lampe de travail (8) s'allume automatiquement en appuyant sur le déclencheur. Elle s'allume quand le déclencheur est à moitié appuyé et avant que l'outil ne commence à fonctionner.

Conseils pour une utilisation optimale

Perçage

- Enfoncez le foret tout droit en appuyant toujours légèrement.
- Juste avant que le bout du foret n'atteigne l'autre côté de la pièce à percer, diminuez la pression sur l'outil.
- Utilisez un bloc de bois pour protéger les pièces à percer afin d'éviter les éclats.
- Utilisez des forets à trois pointes pour percer des gros trous dans le bois.
- Utilisez les forets HSS pour percer du métal.
- Utilisez un lubrifiant pour percer le métal, autre que le laiton et la fonte.
- Marquez un point au centre du trou à percer pour plus de précisions.

Vissage

- Choisissez toujours un embout du type et de la taille appropriés.
- Si le serrage est difficile, enduisez la vis d'une petite quantité de liquide de

vaisselle ou de savon comme lubrifiant.

- Alignez toujours l'outil et l'embout du tournevis avec la vis.

Entretien

Votre appareil Black & Decker a été conçu pour fonctionner pendant longtemps avec un minimum d'entretien. Un fonctionnement continu satisfaisant dépend d'un nettoyage régulier et d'un entretien approprié de l'outil.

Aucun entretien particulier n'est nécessaire pour le chargeur en dehors du nettoyage régulier.

Attention ! Avant d'entretenir l'outil, retirez la batterie. Débranchez le chargeur avant de le nettoyer.

- Nettoyez régulièrement les orifices de ventilation de votre outil et chargeur à l'aide d'une brosse souple ou d'un chiffon sec.
- Nettoyez régulièrement le compartiment du moteur à l'aide d'un chiffon humide. N'utilisez pas de produit abrasif ou à base de solvant.
- Ouvrez régulièrement le mandrin et tapotez dessus pour éliminer la poussière accumulée à l'intérieur.

Batteries

Déchargez complètement la batterie, puis retirez-la de l'outil.

- Les batteries NiCd, NiMH et Li-Ion sont recyclables. Déposez-les chez un technicien d'entretien agréé ou dans un centre de recyclage local.

Données techniques

ASD18 (Typ.1)		
Tension	V _{DC}	18
Vitesse à vide	Min ⁻¹	0-800
Couple max. (valeur PTI)	Nm	16/28
Capacité mandrin	mm	10
Capacité de perçage max.		
Acier/Bois	mm	10/25

Chargeur		905998** (typ. 1)	
Tension d'entrée	V_{AC}	230	
Tension de sortie	V_{DC}	18	
Courant	mA	1000	
Temps de charge approximatif	h	1.5	

Batterie		BL1118	BL1318	BL1518
Tension	V_{DC}	18	18	18
Capacité	Ah	1.1	1.3	1.5
Type		Li-Ion	Li-Ion	Li-Ion

Niveau de pression sonore selon la norme EN 60745 :	
Pression sonore (L_{pA})	67.1 dB(A), incertitude (K) 3 dB(A)
Pression sonore (L_{WA})	78.1 dB(A), incertitude (K) 3 dB(A)

Valeurs totales des vibrations (somme vectorielle triaxiale) selon la norme EN 60745 :	
Perçage, métal ($a_{h,D}$)	$< 2.5 \text{ m/s}^2$, incertitude (K) 1.5 m/s^2
Vissage sans impact ($a_{h,s}$)	$< 2.5 \text{ m/s}^2$, incertitude (K) 1.5 m/s^2

Déclaration de conformité CE

CONSIGNES DE MACHINERIE



BLACK+DECKER confirme que les produits décrits dans les « Données techniques » sont conformes aux normes : 2006/42/CE, EN 60745-1, EN 60745-2-1

Ces produits sont conformes aux Directives 2004/108/CE et 2011/65/UE. Pour plus de détails, veuillez contacter BLACK+DECKER à l'adresse suivante ou reportez-vous au dos du manuel.

Le soussigné est responsable des données de la fiche technique et fait cette déclaration au nom de BLACK+DECKER.

Kevin Hewitt

Vice-Président - ingénierie internationale
 BLACK+DECKER Europe, 210 Bath Road,
 Slough,
 Berkshire, SL1 3YD
 Royaume-Uni
 11.2015

Protection de l'environnement



Collecte séparée. Ce produit ne doit pas être jeté avec les déchets domestiques normaux.

Si vous décidez de remplacer ce produit BLACK+DECKER, ou si vous n'en avez plus l'utilité, ne le jetez pas avec vos déchets domestiques. Rendez-le disponible pour une collecte séparée.



La collecte séparée des produits et emballages usés permet le recyclage des articles afin de les utiliser à nouveau. Le fait d'utiliser à nouveau des produits recyclés permet d'éviter la pollution environnementale et de réduire la demande de matières premières.

Les réglementations locales peuvent permettre la collecte séparée des produits électriques du foyer, dans des déchetteries municipales ou auprès du revendeur vous ayant vendu votre nouveau produit.

BLACK+DECKER fournit un dispositif permettant de collecter et de recycler les produits BLACK+DECKER lorsqu'ils ont atteint la fin de leur cycle de vie. Pour pouvoir profiter de ce service, veuillez retourner votre produit à un réparateur agréé qui se chargera de le collecter pour nous.

Pour connaître l'adresse du réparateur agréé le plus proche de chez vous, contactez le bureau BLACK+DECKER à l'adresse indiquée dans ce manuel. Vous pourrez aussi trouver une liste des réparateurs agréés de BLACK+DECKER et de plus amples détails sur notre service après-vente sur le site Internet à l'adresse suivante : www.2helpU.com

Garantie

BLACK+DECKER vous assure la qualité de ses produits et vous offre une garantie très étendue. Ce certificat de garantie est un document supplémentaire et ne peut en aucun cas se substituer à vos droits légaux.

Si un produit BLACK+DECKER s'avère défectueux en raison de matériaux en mauvais état, d'une erreur humaine, ou d'un manque de conformité dans les 24 mois suivant la date d'achat, BLACK+DECKER garantit le remplacement des pièces défectueuses, la réparation des produits usés ou cassés ou remplace ces produits à la convenance du client, sauf dans les circonstances suivantes :

- Le produit a été utilisé dans un but commercial, professionnel, ou a été loué.
- Le produit a été mal utilisé ou avec négligence.
- Le produit a subi des dommages à cause de corps étrangers, de substances ou d'accidents.
- Des réparations ont été tentées par des techniciens ne faisant pas partie du service technique de BLACK+DECKER.

Pour avoir recours à la garantie, il est nécessaire de fournir une preuve d'achat au vendeur ou à un réparateur agréé. Pour connaître l'adresse du réparateur agréé le plus proche de chez vous, contactez le bureau BLACK+DECKER à l'adresse indiquée dans ce manuel. Vous pourrez aussi trouver une liste de réparateurs agréés de BLACK+DECKER et de plus amples détails sur notre service après-vente sur le site Internet à l'adresse suivante : www.2helpU.com

Utilização prevista

O seu berbequim/aparafusadora Black & Decker foi concebido para aplicações de aparafusamento e para perfuração de madeira, metal, plástico e alvenaria singela. Esta ferramenta destina-se apenas a utilização doméstica.

Instruções de segurança

Avisos de segurança gerais para ferramentas eléctricas



Atenção! Leia com atenção todos os avisos de segurança e instruções. O não cumprimento dos seguintes avisos e instruções pode resultar em choque eléctrico, incêndio e/ou graves lesões.

Guarde todos os avisos e instruções para futura referência. A expressão "ferramenta eléctrica" utilizada a seguir refere-se a ferramentas eléctricas com ligação à corrente eléctrica (com cabo) ou com bateria (sem fios).

1. Segurança na área de trabalho

- a. **Mantenha a área de trabalho limpa e bem iluminada.** Áreas desarrumadas ou mal iluminadas são propícias a acidentes.
- b. **Não trabalhe com ferramentas eléctricas em áreas com risco de explosão, nas quais se encontrem líquidos, gases ou poeiras inflamáveis.** As ferramentas eléctricas produzem faíscas que podem provocar a ignição de poeiras ou vapores.
- c. **Mantenha crianças e outras pessoas afastadas durante a utilização da ferramenta eléctrica.** Distracções podem provocar perda de controlo do aparelho.

2. Segurança eléctrica

- a. **A ficha da ferramenta eléctrica deve caber na tomada. A ficha não deve ser modificada de modo algum. Não utilize quaisquer fichas adaptadoras em ferramentas eléctricas com ligação à terra.** Fichas sem modificações e tomadas adequadas reduzem o risco de choques eléctricos.

- b. **Evite que o corpo entre em contacto com superfícies ligadas à terra, como tubos, radiadores, fogões e frigoríficos.** Existe um risco elevado de choques eléctricos se o corpo estiver ligado à terra.
- c. **As ferramentas eléctricas não podem ser expostas a chuva nem humidade.** A penetração de água na ferramenta eléctrica aumenta o risco de choques eléctricos.
- d. **Manuseie o cabo com cuidado. O cabo não deve ser utilizado para transportar ou pendurar a ferramenta, nem para puxar a ficha da tomada. Mantenha o cabo afastado de calor, óleo, pontas afiadas ou partes móveis.** Cabos danificados ou torcidos aumentam o risco de choques eléctricos.
- e. **Quando trabalhar com uma ferramenta eléctrica ao ar livre, utilize um cabo de extensão apropriado para esse fim.** A utilização de um cabo apropriado para áreas ao ar livre reduz o risco de choques eléctricos.
- f. **Se for inevitável trabalhar com uma ferramenta eléctrica num local húmido, utilize um Dispositivo de Corrente Residual (RCD).** A utilização de um RCD reduz o risco de choque eléctrico.

3. Segurança pessoal

- a. **Mantenha-se atento, observe o que está a fazer e seja prudente ao trabalhar com uma ferramenta eléctrica. Não utilize uma ferramenta eléctrica se estiver cansado ou sob a influência de drogas, álcool ou medicamentos.** Um momento de falta de atenção enquanto trabalha com ferramentas eléctricas poderá resultar em lesões graves.
- b. **Utilize equipamento de protecção pessoal. Utilize sempre óculos de protecção.** Equipamento de protecção como, por exemplo, máscara anti-poeiras, sapatos de segurança anti-derrapantes, capacete de segurança ou protecção auricular, de acordo com o tipo e a aplicação de ferramenta eléctrica, reduz o risco de lesões.

- c. Evite arranques involuntários. Certifique-se de que o botão está desligado antes de ligar a ferramenta à corrente eléctrica e/ou a bateria, pegando ou transportando a ferramenta.** Transportar ferramentas eléctricas com o dedo no botão ou ligar ferramentas eléctricas à tomada com o interruptor na posição de ligado pode dar origem a acidentes.
- d. Retire eventuais chaves de ajuste ou chaves inglesas antes de ligar a ferramenta eléctrica.** Uma chave fixa ou qualquer outra chave ligada a uma peça rotativa da ferramenta eléctrica pode provocar lesões.
- e. Não se incline. Mantenha-se sempre bem posicionado e em equilíbrio.** Assim, controlará melhor a ferramenta eléctrica em situações imprevistas.
- f. Utilize vestuário adequado. Não utilize roupas largas nem jóias. Mantenha o cabelo, roupa e luvas afastados de peças em movimento.** Roupas largas, jóias ou cabelo comprido podem ser apanhados por partes móveis.
- g. Se for prevista a montagem de dispositivos de extracção e recolha de pó, assegure-se de que estão ligados e que são utilizados de forma correcta.** A recolha das poeiras pode reduzir os riscos provocados por poeiras.
- 4. Utilização e manutenção da ferramenta eléctrica**
- a. Não sobrecarregue a ferramenta eléctrica. Utilize a ferramenta eléctrica adequada para o trabalho pretendido.** A ferramenta eléctrica correcta realizará o trabalho de forma melhor e mais segura, com a potência com que foi concebida.
- b. Não utilize a ferramenta eléctrica se o interruptor não puder ser ligado nem desligado.** Qualquer ferramenta eléctrica que não possa ser controlada com o interruptor é perigosa e terá de ser reparada.
- c. Desligue a ficha da tomada e/ou a bateria da tomada antes de proceder a ajustes, trocar acessórios ou guardar ferramentas eléctricas.** Estas medidas de prevenção de segurança reduzem o risco de ligação inadvertida da ferramenta eléctrica.
- d. Mantenha as ferramentas eléctricas que não estiverem a ser utilizadas fora do alcance de crianças. Não permita que a ferramenta eléctrica seja utilizada por pessoas não familiarizadas com a mesma ou que não tenham lido estas instruções.** As ferramentas eléctricas são perigosas quando utilizadas por pessoas não qualificadas.
- e. Efectue a manutenção das ferramentas eléctricas. Verifique se as partes móveis estão desalinhasadas ou bloqueadas, se existem peças partidas ou qualquer outra situação que possa afectar o funcionamento das ferramentas eléctricas. As peças danificadas devem ser reparadas antes da utilização da ferramenta eléctrica.** Muitos acidentes são provocados por falta de manutenção das ferramentas eléctricas.
- f. Mantenha as ferramentas de corte sempre afiadas e limpas.** Ferramentas de corte com a manutenção adequada e extremidades afiadas bloqueiam com menos frequência e são mais fáceis de controlar.
- g. Utilize a ferramenta eléctrica, acessórios e peças de ferramenta de acordo com estas instruções, considerando as condições de trabalho e a tarefa a ser executada.** A utilização da ferramenta eléctrica para fins diferentes dos previstos pode resultar em situações perigosas.
- 5. Utilização e manutenção da bateria**
- a. Carregue apenas com o carregador especificado pelo fabricante.** Um carregador adequado para um tipo de bateria pode dar origem a risco de incêndio quando utilizado com outro tipo de bateria.
- b. Utilize ferramentas eléctricas apenas com baterias específicas.** A utilização de outras baterias pode dar origem a risco de danos e incêndio.

c. **Quando uma bateria não estiver a ser utilizada, mantenha-a afastada de outros objectos metálicos como, por exemplo, cliques, moedas, chaves, pregos, parafusos ou outros pequenos objectos metálicos que possam fazer ligação de um terminal a outro.** O curto-circuito de terminais de bateria pode causar queimaduras ou incêndio.

d. **Sob condições exageradas, a bateria pode verter líquido – evite o contacto. Se ocorrer um contacto accidental, lave em abundância com água. Se o líquido entrar em contacto com os olhos, procure assistência médica.** O líquido vertido da bateria pode causar irritação ou queimaduras.

6. Reparação

a. **A sua ferramenta eléctrica só deve ser reparada por pessoal qualificado e só devem ser colocadas peças sobressalentes originais.** Isso garante a manutenção da segurança da ferramenta eléctrica.

Avisos de segurança adicionais para ferramentas eléctricas



Atenção! Avisos de segurança adicionais para berbequins e berbequins de percussão

- **Utilize protecção auditiva com berbequins de percussão.** A exposição a ruídos pode causar perdas auditivas.
- **Utilize o punho auxiliar fornecido com a ferramenta.** A perda de controlo pode provocar ferimentos.
- **Segure a ferramenta eléctrica pelas áreas isoladas quando executar uma operação em que o acessório de corte possa entrar em contacto com a cablagem oculta..** O acessório de corte em contacto com um cabo "electrificado" poderá expor peças metálicas do sistema eléctrico da ferramenta e provocar um choque eléctrico ao operador.
- **Segure a ferramenta eléctrica pelas áreas isoladas quando executar uma operação em que o fixador possa entrar**

em contacto com a cablagem oculta.. Os fixadores em contacto com um cabo "electrificado" poderão expor peças metálicas do sistema eléctrico da ferramenta e provocar um choque eléctrico ao operador

- **Utilize grampos ou outro meio para fixar e apoiar a peça numa plataforma estável.** Se fixar a peça com a mão ou contra o seu corpo, a peça fica instável e pode dar origem à perda de controlo.
- Antes de perfurar paredes, tectos ou chãos, verifique a localização de cablagem e tubos.
- Evite tocar na ponta de uma broca logo após a perfuração, uma vez que esta poderá estar quente.
- Esta ferramenta não deve ser utilizada por pessoas (incluindo crianças) que apresentem capacidades físicas, sensoriais ou mentais reduzidas ou que não possuam os conhecimentos e a experiência necessários, excepto se forem vigiadas e instruídas acerca da utilização do aparelho por uma pessoa responsável pela sua segurança. As crianças deverão ser vigiadas para que não mexam no aparelho.
- A utilização prevista para este aparelho está descrita no manual de instruções. A utilização de qualquer acessório ou a realização de qualquer operação com esta ferramenta que não se inclua no presente manual de instruções poderá representar um risco de ferimentos e/ou danos materiais.

Riscos residuais

Podem surgir riscos residuais adicionais durante a utilização da ferramenta que poderão não constar nos avisos de segurança incluídos. Estes riscos podem resultar de má utilização, uso prolongado, etc.

Mesmo com a aplicação dos regulamentos de segurança relevantes e com a implementação de dispositivos de segurança, alguns riscos residuais não podem ser evitados. Incluem:

- ferimentos causados pelo contacto com peças em rotação/movimento.
- ferimentos causados durante a troca de peças, lâminas ou acessórios.
- ferimentos causados pela utilização prolongada de uma ferramenta. Quando utilizar uma ferramenta por períodos prolongados, faça intervalos regulares.
- Diminuição da audição.
- Os problemas de saúde causados pela inalação de poeiras resultantes da utilização da ferramenta (exemplo: trabalhos em madeira, especialmente carvalho, faia e MDF).

Vibração

Os valores de emissão de vibração declarados na secção de dados técnicos e na declaração de conformidade foram medidos de acordo com o método de teste padrão fornecido pela EN 60745 e podem ser utilizados para comparar ferramentas. O valor de emissão de vibração declarado pode ainda ser utilizado numa avaliação preliminar de exposição.

Atenção! O valor de emissão de vibração durante a utilização real da ferramenta eléctrica pode ser diferente do valor declarado, dependendo da forma como a ferramenta é utilizada. O nível de vibração pode aumentar acima do nível indicado.

Quando avaliar a exposição da vibração para determinar as medidas de segurança exigidas pela norma 2002/44/CE para proteger pessoas que utilizem regularmente ferramentas eléctricas na sua actividade profissional, deve ser considerada uma estimativa de exposição de vibração, as actuais condições de utilização e o modo de utilização da ferramenta, incluindo ainda todas as partes do ciclo de funcionamento, como os períodos de inactividade e espera da ferramenta, para além do tempo de funcionamento.

Rótulos na ferramenta

A ferramenta apresenta os seguintes pictogramas:



Atenção! Para reduzir o risco de ferimentos, o utilizador deve ler o manual de instruções.

Instruções de segurança adicionais para baterias e carregadores

Baterias

- Nunca tente abrir a bateria por motivo algum.
- Não exponha a bateria à água.
- Não a armazene em locais onde a temperatura possa exceder os 40 °C.
- Carregue apenas a temperaturas ambiente entre 10 °C e 40 °C.
- Carregue apenas com o carregador fornecido com a ferramenta.
- Quando eliminar as baterias, siga as instruções da secção "Protecção do ambiente".



Não tente carregar baterias danificadas.

Carregadores

- Utilize o seu carregador Black & Decker apenas para carregar a bateria na ferramenta respectiva. Outras baterias podem rebentar, provocando ferimentos e danos.
- Nunca tente carregar baterias não recarregáveis.
- Substitua os cabos defeituosos imediatamente.
- Não exponha o carregador à água.
- Não abra o carregador.
- Não manipule o interior do carregador.



O carregador deverá ser utilizado apenas em espaços interiores.



Leia o manual de instruções antes da utilização.

Segurança eléctrica

O carregador tem um isolamento duplo, pelo que não é necessário um fio de terra. Verifique sempre se a tensão de alimentação corresponde à tensão indicada na placa de especificações. Nunca tente substituir a unidade do carregador por uma tomada normal de alimentação.

- Se o cabo de alimentação estiver danificado, terá de ser substituído pelo fabricante ou por um centro de assistência autorizado Black & Decker para evitar acidentes.

Características

Esta ferramenta inclui alguns ou todos os seguintes componentes.

1. Interruptor de velocidade variável
2. Patilha para a frente/para trás
3. Selector de modo de berbequim
4. Selector de modo de aparafusadora
5. Indicador do estado de carga
6. Mandril de manga única
7. Porta-pontas
8. Luz de trabalho LED

Fig. A

9. Bateria
10. Carregador
11. Indicador de Carga

Montagem

Aviso! Antes de montar, remova a bateria da ferramenta.

Colocar e remover a bateria (fig. B)

- Para colocar a bateria (9), alinha-a com o receptáculo na ferramenta. Faça deslizar a bateria para dentro do receptáculo e puxe até que a bateria se encaixe devidamente.
- Para remover a bateria, pressione o botão de desbloqueio (12) enquanto

retira, ao mesmo tempo, a bateria do receptáculo.

Colocar e remover uma broca ou ponta de aparafusadora

Esta ferramenta inclui um mandril sem chave para facilitar a troca de pontas.

- Bloqueie a ferramenta colocando a patilha para a frente/para trás (2) na posição central.
- Abra o mandril de manga única (6) rodando-o.
- Coloque o veio de pontas no mandril e aperte firmemente o mandril de manga única.

Esta ferramenta é fornecida com uma ponta de aparafusadora no porta pontas (7).

- Para retirar a ponta de aparafusadora do suporte de pontas, levante-a do encaixe.
- Para guardar a ponta de aparafusadora, encaixe-a com firmeza no porta pontas.

Aviso! Não tente apertar brocas (ou qualquer outro acessório) segurando o mandril de manga única e ligando a ferramenta. Pode danificar o mandril de manga única ou provocar ferimentos ao trocar acessórios.

Utilização

Aviso! Deixe a ferramenta funcionar ao seu próprio ritmo. Não a sobrecarregue.

Atenção! Antes de perfurar paredes, tectos ou chão, verifique a localização de cablagem e tubos.

Carregar a bateria (fig. A)

A bateria precisa de ser carregada antes da primeira utilização e sempre que não consiga produzir energia suficiente em trabalhos habitualmente feitos sem dificuldade. A bateria pode aquecer durante o carregamento; isto é normal e não indica um problema.

Atenção! Não carregue a bateria a temperaturas ambientes abaixo de 10 °C ou acima de 40 °C. Temperatura de carregamento recomendada: aprox. 24 °C.

Nota: O carregador não irá carregar a bateria se a temperatura das células for inferior a 10 °C ou superior a 40 °C. A bateria deverá permanecer no carregador para que este comece a carregar automaticamente quando a temperatura das células aquecer ou arrefecer.

- Para carregar a bateria (8), insira-a no carregador (9). A bateria apenas pode ser colocada no carregador de uma forma. Não force. Certifique-se de que a bateria está completamente introduzida no carregador.
- Ligue a ficha do carregador e ligue-o à corrente.

O indicador de carga (10) estará intermitente.

O carregamento está concluído quando a luz do indicador de carga (10) ficar acesa de forma contínua. O carregador e a bateria podem ficar ligados indefinidamente. O LED acende-se quando o carregador ocasionalmente preenche a carga da bateria.

- As baterias descarregadas devem ser carregadas no espaço de 1 semana. A vida útil de uma bateria diminuirá muito se for guardada sem carga.

Deixar a bateria no carregador

O carregador e a bateria podem permanecer ligados com o LED aceso indefinidamente. O carregador irá manter a bateria completamente carregada.

Diagnóstico do carregador

Se o carregador detectar que a bateria está fraca ou danificada, o indicador de carga (10) ficará vermelho em modo intermitente rápido. Proceda da seguinte forma:

- Voltar a colocar a bateria (8).
- Se os indicadores de carga continuarem a piscar rapidamente a vermelho, utilize uma bateria diferente para determinar se o processo de carga está a funcionar correctamente.
- Se a bateria de substituição carregar correctamente, então a bateria original

está defeituosa e deve ser entregue num centro de serviço para reciclagem.

- Se a bateria nova der a mesma indicação que a bateria original, leve o carregador até um centro de assistência autorizado para ser testado.

Nota: determinar se a bateria está defeituosa pode demorar até 30 minutos. Se a bateria estiver demasiado quente ou fria, o LED piscará alternadamente de modo rápido e lento, piscando uma vez a cada velocidade e repetindo o processo.

Seleccionar a direcção de rotação (fig. C)

Para perfuração e para apertar parafusos, utilize a rotação para a frente (no sentido dos ponteiros do relógio). Para soltar parafusos ou remover uma broca encravada, utilize a rotação para trás (no sentido contrário ao dos ponteiros do relógio).

- Para seleccionar a rotação para a frente, empurre a patilha para a frente/para trás (2) para a posição da esquerda.
- Para seleccionar a rotação para trás, pressione a patilha para a frente/para trás para a direita.
- Para bloquear a ferramenta, coloque a patilha para trás/para a frente na posição central.

Ligar e desligar

- Selecciona a rotação para a frente ou para trás utilizando a patilha para a frente/trás (2)
- Para ligar a ferramenta, prima o interruptor para ligar/desligar (1). A velocidade da ferramenta depende de como pressionar o botão de gatilho.
- Para desligar a ferramenta, solte a alavanca do botão de gatilho.

Tecnologia Autoselect™ (fig. D)

- Para perfurar madeira, metal e plástico, prima o botão do selector de modo de berbequim (3).
- Para aparafusar, prima o botão do selector de modo de aparafusadora (4).

Tecnologia Autosense™

Em modo de aparafusadora, esta ferramenta está equipada com tecnologia Autosense™ que ajuda a aparafusar de uma forma precisa e sem esforço.

- Selecione o modo de aparafusadora e certifique-se de que o botão para a frente/para trás (2) está posicionado para o lado esquerdo.
- Puxe o botão de gatilho (1) para aparafusar um parafuso na peça e a ferramenta parará automaticamente quando o parafuso estiver fixado à peça.
- Se pretender um parafuso mais longo, continue a pressionar o botão de gatilho. Após um momento, o berbequim começará a rodar para aparafusar o parafuso até à profundidade pretendida a um ritmo mais controlável.
- Depois de atingida a profundidade pretendida, solte o botão de gatilho.

Nota: Se o parafuso pára no meio do caminho, solte o gatilho (1), em seguida, pressione o botão de disparo (1) para iniciar novamente.

Indicador do estado de carga (fig. D)

A ferramenta está equipada com um indicador do estado de carga. Este pode ser utilizado para apresentar o nível de carga actual da bateria durante a utilização.

- Prima o botão do selector de modo de berbequim (3) ou o botão do selector de modo de aparafusadora (4) para mostrar o estado de carregamento actual.

Luz de trabalho LED

A luz de trabalho LED (8) é activada automaticamente quando o gatilho é libertado. A luz de trabalho LED acende-se quando o gatilho é parcialmente libertado, antes de a unidade entrar em funcionamento.

Sugestões para uma utilização ideal

Perfurar

- Aplique sempre uma pressão ligeira em linha recta com a broca.
- Pouco antes de a ponta da broca

alcançar o lado oposto do material, reduza a pressão exercida na ferramenta.

- Utilize um bloco de madeira para proteger materiais que possam lascar.
- Utilize brocas espada para perfurar orifícios de grande diâmetro em madeira.
- Utilize brocas HSS para perfurar metal.
- Utilize um lubrificante para perfurar metais diferentes de ferro fundido e latão.
- Para melhor precisão, efectue um pequeno furo no centro do orifício a perfurar.

Aparafusar

- Utilize sempre o tipo e tamanho de pontas para aparafusadora correctos.
- Se os parafusos forem de difícil aperto, aplique uma pequena quantidade de líquido de lavagem ou sabão como lubrificante.
- Segure sempre a ferramenta e a ponta da aparafusadora em linha recta com o parafuso.

Manutenção

A sua ferramenta BLACK+DECKER foi concebida para funcionar por um longo período de tempo com uma manutenção mínima. Um funcionamento contínuo e satisfatório depende de uma manutenção adequada e da limpeza regular da ferramenta.

O seu carregador não necessita de manutenção para além da limpeza regular.

Atenção! Antes de ser realizada qualquer operação de manutenção na ferramenta, remova a bateria da ferramenta. Desligue o carregador antes de o limpar.

- Limpe regularmente as saídas de ventilação da ferramenta e o carregador com uma escova suave ou um pano seco.
- Limpe regularmente o compartimento do motor com um pano húmido. Não utilize nenhum produto de limpeza abrasivo ou a base de solvente.
- Abra o mandril regularmente e sacuda para remover qualquer vestígio de pó do seu interior.

Baterias



Deixe a bateria descarregar completamente e, em seguida, remova-a da ferramenta.

- As baterias de NiCd, NiMH e de lões de Lítio são recicláveis. Leve as baterias ao seu agente de manutenção autorizado ou a uma estação de reciclagem local.

Dados técnicos

ASD18 (Typ.1)		
Tensão	V_{DC}	18
Velocidade sem carga	Min^{-1}	0-800
Binário máx. (Classificação PTI)	Nm	16/28
Capacidade do mandril	mm	10
Capacidade máx. de perfuração		
Aço/madeira	mm	10/25

Carregador 905998** (typ. 1)		
Tensão de entrada	V_{AC}	230
Tensão de saída	V_{DC}	18
Corrente	mA	1000
TTempo de carga aprox.	h	1.5

Bateria	BL1118	BL1318	BL1518
Tensão	V_{DC} 18	18	18
Capacidade	Ah 1.1	1.3	1.5
Tipo	lões de lítio	lões de lítio	lões de lítio

Nível de pressão acústica de acordo com a norma EN 60745:	
Pressão acústica (L_{pA})	67.1 dB(A), imprecisão (K) 3 dB(A)
Potência acústica (L_{WA})	78.1 dB(A), imprecisão (K) 3 dB(A)

Valores totais de vibração (soma vectores triax) de acordo com a norma EN 60745:	
Perfurar em metal ($a_{h,D}$)	< 2.5 m/s^2 , imprecisão (K) 1.5 m/s^2
Aparafusar sem percussão ($a_{h,S}$)	< 2.5 m/s^2 , imprecisão (K) 1.5 m/s^2

Declaração de conformidade CE
DIRECTIVA PARA MÁQUINAS



A BLACK+DECKER declara que os produtos descritos em "dados técnicos" estão em conformidade com as seguintes normas: 2006/42/CE, EN 60745-1, EN 60745-2-1

Estes produtos estão também em conformidade com a Directiva 2004/108/CE e 2011/65/UE. Para obter mais informações, contacte a BLACK+DECKER no endereço indicado ou consulte a parte posterior do manual.

O signatário é responsável pela compilação do ficheiro técnico e efectua esta declaração em nome da BLACK+DECKER.

Kevin Hewitt
Vice-Presidente, Engenharia Global
BLACK+DECKER Europe, 210 Bath Road,
Slough,
Berkshire, SL1 3YD
Reino Unido
11.2015

Proteger o ambiente



Recolha separada. Este produto não deve ser eliminado juntamente com os resíduos domésticos normais.

Se algum dia necessitar de substituir o seu produto BLACK+DECKER ou se já não o voltar a utilizar, não o elimine juntamente com os outros resíduos domésticos. Disponibilize este produto para recolha separada.



A recolha separada de produtos usados e embalagens permite que os materiais sejam reciclados e utilizados novamente. A reutilização de materiais reciclados ajuda a prevenir a poluição ambiental e reduz a procura de matérias-primas.

As normas locais podem fornecer a recolha separada de produtos elétricos a nível doméstico, locais de resíduos urbanos ou pelo revendedor onde adquiriu um produto novo.

A BLACK+DECKER providencia uma unidade para a recolha e reciclagem de produtos BLACK+DECKER uma vez que tenham alcançado o fim da sua vida útil. Para beneficiar deste serviço, devolva o seu produto a qualquer agente reparador autorizado, que fará a recolha em nosso favor.

Pode verificar a localização do seu agente reparador mais próximo, contactando o seu escritório local BLACK+DECKER através do endereço indicado neste manual. Como alternativa, está disponível na Internet uma lista de agentes reparadores autorizados da BLACK+DECKER e dados completos do serviço de pós-venda e contactos em: www.2helpU.com.

Garantia

A Black + Decker está confiante da qualidade de seus produtos e oferece uma garantia excelente. Esta declaração de garantia está em adição e em nada prejudica os seus direitos estatutários. A garantia é válida nos territórios dos Estados-Membros da União Europeia e da Zona Europeia de Comércio Livre.

Se um produto Black + Decker apresenta algum defeito devido a falhas de material, mão de obra ou falta de conformidade, no prazo de 24 meses a partir da data da compra, a BLACK+DECKER garante a substituição das peças defeituosas, produtos de reparação sujeitos a uso e desgaste regular ou substituição de tais produtos para se certificar do mínimo de inconveniência ao cliente a menos que:

- O produto tenha sido utilizado para fins comerciais, profissionais ou contratação.
- O produto tenha sido submetido a utilização inadequada ou negligência.
- O produto tenha sofrido danos causados por objetos estranhos, substâncias ou acidentes.
- As reparações foram efetuadas por terceiros e não por agentes autorizados ou pelo pessoal de serviço Black + Decker.

Para ativar a garantia, terá que apresentar o comprovativo de compra ao vendedor ou a um agente técnico autorizado. Pode verificar a localização do seu agente reparador autorizado mais próximo, contactando o seu escritório local BLACK+DECKER através do endereço indicado neste manual. Como alternativa, está disponível na Internet uma lista de agentes reparadores autorizados BLACK+DECKER, dados completos do serviço de pós-venda e contactos em: www.2helpU.com

Назначение

Ваша дрель/шуруповерт BLACK+DECKER предназначена для закручивания шурупов и сверления дерева, металлов, пластмасс и мягкой кирпичной кладки. Этот инструмент предназначен только для использования потребителем.

Указания по технике безопасности

Общие указания по безопасной работе с электрическим инструментом



Внимание! Внимательно прочитайте все предупреждающие надписи и указания по безопасной работе. Несоблюдение

предупреждающих надписей и указаний по безопасной работе может привести к поражению электрическим током, пожару и/или серьезным травмам персонала.

Храните все предупреждающие надписи и указания по безопасной работе для использования в будущем. Термин «электрический инструмент», используемый во всех предупреждающих надписях и указаниях по технике безопасности, представлены ниже, относится к электрическому инструменту, работающему от сети (со шнуром электропитания) или от аккумуляторной батареи (без шнура питания).

1. Указания по безопасности на рабочем месте

- a. Рабочее место должно содержаться в чистоте и должно быть оборудовано надлежащим освещением. Беспорядок или плохое освещение на рабочем месте может привести к несчастному случаю.
- b. Запрещается использование электрического инструмента во взрывоопасной среде, например, в условиях наличия легковоспламеняющихся жидкостей, газов или пыли. Искры, возникающие при работе электрического инструмента, могут воспламенить пыль, пары и газы.
- c. Запрещается нахождение детей и посторонних лиц вблизи работающего электрического инструмента. Отвлекающие факторы могут привести к потере контроля за работой инструмента.

2. Электрическая безопасность

- a. Вилка шнура электрического инструмента должна соответствовать сетевой розетке. Запрещается вносить какие-либо изменения в вилку электрического шнура. Запрещается использование каких-либо штепсельных переходников при работе заземленного электрического инструмента. Отсутствие

изменений в вилках электрических шнуров и соответствие электрических вилок и розеток снижает риск поражения электрическим током.

- b. Не допускайте контакта тела с заземленными поверхностями таких объектов, как трубы, радиаторы, электроплиты и холодильники. Если ваше тело заземлено, риск его поражения электрическим током повышается.
 - c. Электрические инструменты не должны подвергаться воздействию дождя и находится в условиях повышенной влажности. При попадании влаги внутрь электрического инструмента повышается риск поражения электрическим током.
 - d. Запрещается использовать электрический шнур не по назначению. Никогда не берите, не тяните и не вынимайте электрический инструмент за шнур. Электрический шнур не должен находиться вблизи источников тепла, масла, острых краев и движущихся деталей. Поврежденные и закрученные электрические шнуры повышают риск поражения электрическим током.
 - e. При работе электрического инструмента на открытом воздухе используйте соответствующий удлинитель. Использование удлинителя, предназначенного для работы на открытом воздухе, снижает риск поражения электрическим током.
 - f. Если работы с помощью электрического инструмента внутри влажного помещения должны быть выполнены обязательно, в таком случае необходимо использовать устройство защитного отключения (УЗО) электрической сети. Использование УЗО снижает риск поражения электрическим током.
- ### 3. Безопасность персонала
- a. При работе с электрическим инструментом необходимо быть осмотрительным, видеть выполняемую работу и руководствоваться здравым смыслом. Запрещается работать с электрическим инструментом в состоянии усталости и под воздействием наркотиков, алкоголя и лекарственных препаратов. Ослабление внимания даже на мгновение может привести к серьезной травме.
 - b. Используйте средства индивидуальной защиты. Всегда надевайте средства защиты глаз. Используемые в соответствующих условиях средства индивидуальной защиты, такие как пылезащитная маска, нескользящая защитная обувь, защитная каска или средства защиты органов слуха, всегда снижают риск травмирования.

- c. Не допускайте непреднамеренного включения инструмента. Перед тем, как подключить источник питания или аккумулятор, поднимая или неся инструмент, проверьте, чтобы его выключатель находился в выключенном положении. Переноска инструмента пальцем, расположенном на его выключателе, или включенного инструмента повышает риск несчастного случая.
- d. Перед включением инструмента всегда снимайте с него регулировочный и гаечный ключ. Оставленный на вращающейся детали инструмента ключ может привести к травмированию.
- e. Не прикладывайте к инструменту чрезмерное усилие во время работы. Всегда прочно держитесь на ногах и сохраняйте равновесие во время работы. Это позволяет лучше контролировать электрический инструмент в непредвиденных ситуациях.
- f. Надевайте соответствующую одежду. Запрещается надевать свободную одежду и украшения. Волосы, одежда и перчатки должны находиться на расстоянии от движущихся деталей инструмента. Свободная одежда, украшения или длинные волосы могут быть захвачены движущимися деталями.
- g. Если установлены устройства подключения средств пылеулавливания и пылесборников, необходимо проверять, чтобы они были подключены и использовались надлежащим образом. Использование средств пылеулавливания снижает уровень риска, связанного с наличием пыли в воздухе.
4. Использование и уход за электрическим инструментом
- a. Не прикладывайте чрезмерное усилие к электрическому инструменту. Используйте электрический инструмент, соответствующий выполняемой задаче. При использовании надлежащего инструмента вы выполните работу лучше, с меньшим риском и со скоростью, на которую рассчитан ваш инструмент.
- b. Запрещается использовать инструмент, если его выключатель не включается и не выключается. Любой электрический инструмент, работой которого нельзя управлять с помощью его выключателя, представляет собой опасность и подлежит обязательному ремонту.
- c. Перед выполнением регулировки электрического инструмента, заменой его принадлежностей и постановкой на хранение необходимо вынуть вилку его электрического шнура из розетки и/или достать из него аккумулятор. Такая превентивная мера безопасности снижает риск случайного включения инструмента.
- d. Храните электрический инструмент, который в данный момент не используется, в недоступном для детей месте и разрешайте работать с инструментом лицам, которые не знакомы с ним или с этими указаниями. Электрический инструмент является опасным в руках необученного человека.
- e. Поддерживайте инструмент в рабочем состоянии. Проверяйте центровку и соединение движущихся деталей, наличие поврежденных деталей и любые факторы, которые могут отрицательно сказаться на работе электрического инструмента. В случае обнаружения повреждения электрический инструмент необходимо отремонтировать. Много несчастных случаев происходит вследствие того, что инструмент находится в ненадлежащем состоянии.
- f. Режущие инструменты должны быть остро заточенными и чистыми. Поддерживаемый в надлежащем рабочем состоянии режущий инструмент с острыми режущими кромками меньше застревает и легче управляется.
- g. Используйте электрический инструмент, принадлежности, вставные резцы и т.д. в соответствии с данными указаниями, учитывая условия эксплуатации и работу, которая должна быть выполнена. Использование электрического инструмента с целью, отличной от предусмотренного назначения, может привести к опасной ситуации.
5. Использование и уход за аккумуляторной батареей
- a. Зарядка аккумуляторной батареи должна выполняться только с помощью того зарядного устройства, которое указал производитель аккумуляторной батареи. Если зарядное устройство, которое подходит для одного типа аккумулятора, использовать для зарядки аккумулятора другого типа, это может привести к возникновению пожароопасной ситуации.
- b. Используйте электрический инструмент только с конкретно указанными аккумуляторными батареями. Использование любых других аккумуляторных батарей повышает риск травмирования и возникновения пожароопасной ситуации.

- c. Если аккумуляторная батарея не используется, она должна храниться отдельно от металлических предметов, таких как канцелярские скрепки, монеты, ключи, гвозди, шурупы и другие небольшие металлические предметы, которые могут закоротить клеммы батареи. Закоротка клемм аккумулятора может привести к их выгоранию или загоранию аккумулятора.
 - d. В условиях неправильной эксплуатации жидкий электролит может быть выброшен из аккумуляторной батареи, поэтому следует остерегаться контакта с электролитом. Если произошел случайный контакт с жидким электролитом, промойте это место водой. Если жидкость попала в глаза, необходимо также обратиться за медицинской помощью. Контакт с жидкостью, выброшенной из аккумуляторной батареи, может привести к раздражению или ожогам.
- 6. Обслуживание**
- a. Обслуживать электрический инструмент должен только квалифицированный ремонтный персонал, и при этом должны использоваться только оригинальные запасные детали. Благодаря этому будет поддерживаться безопасное рабочее состояние электрического инструмента.

Дополнительные указания по безопасной работе с электрическим инструментом



Внимание! Дополнительные указания по безопасной работе с дрелями и ударными дрелями

- При работе с ударными дрелями надевайте средства защиты органов слуха. Воздействие шума может привести к нарушению слуха.
- Используйте вспомогательные рукоятки, которые поставляются вместе с инструментом. Потеря управления инструментом может привести к травмированию.
- Во время выполнения работ, когда режущая деталь электрического инструмента может соприкоснуться со скрытой электропроводкой, инструмент необходимо держать за диэлектрическую поверхность. При контакте режущей детали с проводом, находящимся под напряжением, под напряжение могут попасть металлические детали электрического инструмента, вследствие чего возникает опасность поражения оператора электрическим током.
- Во время выполнения работ, когда крепежная деталь электрического инструмента может соприкоснуться со скрытой электропроводкой, инструмент необходимо держать за диэлектрическую поверхность. При контакте крепежной детали с проводом, находящимся под напряжением, под напряжение могут попасть металлические детали электрического инструмента, вследствие чего возникает опасность поражения оператора электрическим током.
- Для фиксации положения обрабатываемой детали на устойчивом основании используйте зажимы или другой удобный и практический способ. Если держать деталь руками или прижимать ее к телу, она будет находиться в незакрепленном положении, что может привести к потере контроля за работой инструмента.
- Перед выполнением сверления стен, полов и потолков проверяйте расположение электропроводки и труб.
- Не касайтесь наконечника сверла дрели после сверления, поскольку он может быть горячим.
- Этот инструмент не предназначен для использования лицами (включая детей) с ограниченными физическими, сенсорными или умственными способностями или лицами, у которых отсутствует необходимый опыт и знания, кроме случаев, когда они находятся под наблюдением и получили надлежащие инструкции по работе с инструментом от лица, ответственного за их безопасность. Чтобы дети не играли с инструментом, они должны находиться под наблюдением.
- Назначение инструмента описано в этой инструкции по эксплуатации. Использование любых принадлежностей и дополнительных приспособлений вместе с этим инструментом или использование инструмента в целях, которые не рекомендованы в этой инструкции, может привести к возникновению риска травмирования персонала и повреждения имущества.

Остаточный риск

Дополнительный остаточный риск может возникать в случаях использования инструмента, которые могут быть не учтены в перечисленных указаниях по безопасной работе. Такой риск может возникать при неправильном использовании, продолжительном использовании и т.д.

Даже при соблюдении всех соответствующих правил техники безопасности и использовании защитных устройств некоторый остаточный риск все же остается. Он включает:

- Травмы, полученные при касании вращающихся или движущихся деталей.
- Травмы, полученные при замене деталей. ножей или принадлежностей.
- Травмы, полученные вследствие продолжительного использования инструмента. При продолжительном использовании инструмента необходимо делать регулярные перерывы в работе.
- Ухудшение слуха.
- Вред для здоровья, вызванный вдыханием пыли, которая появляется во время работы инструмента (например, при работе с деревом, особенно с дубом, буком или ДВП).

Вибрация

Уровни вибрации, указанные в технических данных и декларации соответствия, были измерены в соответствии со стандартным методом испытаний, изложенным в EN 60745, и могут использоваться для сравнения инструментов. Заявленный уровень вибрации может также использоваться для предварительной оценки их воздействия.

Внимание! Уровень вибрации во время работы электрического инструмента может отличаться от заявленного уровня вибрации, поскольку он зависит от конкретно выполняемой инструментом работы. Уровень вибрации может быть выше установленного уровня.

При оценке воздействия вибрации для определения мер безопасности, требуемых 2002/44/ЕС для защиты лиц, постоянно работающих с электрическими инструментами, необходимо учитывать реальные условия использования и способ использования инструмента, включая все детали рабочего цикла, такие как время выключения и время холостого хода дополнительно к времени запуска.

Наклейки на инструменте

К поверхности инструмента прикреплены следующие графические изображения:



Внимание! Для снижения риска травмирования оператор должен прочитать эту инструкцию по эксплуатации.

Дополнительные указания по безопасному использованию аккумуляторных батарей и зарядных устройств

Аккумуляторные батареи

- Независимо от причины, никогда не пытайтесь вскрыть аккумуляторную батарею.
- Не подвергайте аккумуляторную батарею воздействию воды.
- Не храните аккумуляторные батареи в местах, где температура воздуха может превышать 40°C.
- Зарядку аккумуляторной батареи необходимо выполнять при температуре окружающего воздуха в пределах от 10°C до 40°C.
- Зарядку аккумуляторной батареи необходимо выполнять только с помощью зарядного устройства, поставляемого вместе с батареями.
- Утилизацию аккумуляторных батарей необходимо производить в соответствии с указаниями, содержащимися в разделе «Защита окружающей среды».

Не пытайтесь заряжать поврежденные аккумуляторные батареи.

Зарядные устройства

- Используйте зарядное устройство BLACK+DECKER только для зарядки аккумуляторной батареи для инструмента, с которым она было поставлена. При зарядке других аккумуляторных батарей может происходить взрыв, приводящий к травмированию людей и повреждению оборудования.
- Никогда не пытайтесь заряжать перезаряжаемые батареи.
- Поврежденные электрические шнуры необходимо заменять немедленно.
- Не подвергайте зарядное устройство воздействию воды.
- Не вскрывайте зарядное устройство.
- Не измеряйте характеристики зарядного устройства электрическими приборами.



Зарядное устройство предназначено только для использования внутри помещения.



Перед его использованием прочитайте инструкцию по эксплуатации.

Электрическая безопасность



Ваше зарядное устройство имеет двойную изоляцию, и поэтому провод заземления ему не нужен. Всегда проверяйте, чтобы сетевое напряжение соответствовало значению, указанному в табличке с паспортными данными. Никогда не пытайтесь заменить вилку в блоке зарядного устройства обычной сетевой вилкой.

- В случае повреждения шнура питания, чтобы избежать возникновения опасных ситуаций, его замену должен выполнить производитель оборудования или уполномоченный сервисный центр BLACK+DECKER.

Функции

Этот инструмент может обладать всеми или некоторыми из перечисленных ниже функций.

1. Переключатель количества оборотов
2. Подвижный переключатель прямого/обратного направления вращения
3. Переключатель режима дрели
4. Переключатель режима шуруповерта
5. Индикатор уровня заряда аккумуляторной батареи
6. Зажимной патрон с одной втулкой
7. Держатель сверла
8. Светодиодный индикатор работы

Рис. А

9. Аккумуляторная батарея
10. Зарядное устройство
11. Индикатор зарядного устройства

Сборка

Внимание! Перед выполнением сборки достаньте аккумулятор из инструмента.

Установка и удаление аккумуляторной батареи (Рис. В)

- Чтобы вставить аккумуляторную батарею (9), выровняйте ее по приемному гнезду инструмента. Введите аккумулятор в гнездо и нажмите, чтобы защелкнулся на своем месте.

- Чтобы достать аккумуляторную батарею, нажмите кнопку разблокировки (12), одновременно вынимая аккумулятор из приемного гнезда.

Установка и удаление сверла дрели и наконечника шуруповерта

Этот инструмент оснащен бесключевым патроном, позволяющим легко менять сверла.

- Заблокируйте инструмент, установив подвижный переключатель прямого/обратного направления вращения (2) в центральное положение.
- Поверните вокруг оси зажимной патрон с одной втулкой (6), чтобы раскрыть его.
- Вставьте хвостовик сверла в патрон и плотно закрутите патрон.

Этот инструмент поставляется с наконечником шуруповерта в держателе (7).

- Чтобы достать наконечник шуруповерта из держателя, выдвиньте его вверх из паза.
- Чтобы вставить наконечник шуруповерта, плотно нажмите на него и введите в держатель.

Внимание! Не пытайтесь зажимать сверла дрели (или другие принадлежности), держа одной рукой патрон с одной втулкой и поворачивая инструмент другой рукой. При замене принадлежностей может произойти повреждение патрона и травмирование персонала.

Работа инструмента

Внимание! Дайте возможность инструменту работать с естественной скоростью. Не перегружайте его.

Внимание! Перед выполнением сверления стен, полов и потолков проверяйте расположение электропроводки и труб.

Зарядка аккумуляторной батареи (Рис. А)

Зарядка аккумуляторной батареи должна быть выполнена перед ее первым использованием и каждый раз, когда она не в состоянии обеспечивать мощность, необходимую для выполнения работы, хотя перед этим работа была выполнена легко. Во время зарядки аккумуляторная батарея может нагреваться; это нормально и не означает наличие проблемы.

Внимание! Запрещается заряжать аккумуляторную батарею при температурах воздуха ниже 10°C и выше 40°C. Рекомендуемая температура воздуха для зарядки составляет около 24°C.

Примечание: зарядное устройство не будет заряжать аккумуляторную батарею, если температура ее элемента лежит приблизительно ниже 10°C или выше 40°C. Аккумулятор надо оставить в зарядном устройстве, которое автоматически начнет выполнять зарядку, когда температура элемента выйдет в указанные пределы (поднимется или опустится).

- Чтобы зарядить аккумуляторную батарею (8), вставьте ее в зарядное устройство (9). Аккумулятор можно вставить в зарядное устройство только одним способом. Не прикладывайте при этом чрезмерное усилие. Проверьте, чтобы аккумуляторная батарея полностью стала на свое место в зарядном устройстве.
- Вставьте штепсельную вилку в розетку и включите питание.

Индикатор зарядки (10) начнет мигать.

Когда зарядка будет завершена, индикатор зарядки (10) перестанет мигать и начнет гореть ровным светом. Зарядное устройство и аккумуляторную батарею можно оставлять соединенными на неограниченное время. Светодиодный индикатор будет загораться в тех случаях, когда зарядное устройство будет периодически подзаряжать аккумулятор.

- Выполняйте подзарядку разряженной аккумуляторной батареи в пределах одной недели. Если аккумуляторную батарею хранить в разряженном состоянии, ее срок службы существенно сократится.

Оставление аккумуляторной батареи в зарядном устройстве

Зарядное устройство и аккумуляторную батарею можно оставлять соединенными на неограниченное время с горящим светодиодным индикатором. Зарядное устройство будет поддерживать аккумуляторную батарею в полностью заряженном состоянии.

Диагностика зарядного устройства

Если зарядное устройство определит, что аккумуляторная батарея разряжена или повреждена, его индикатор (10) начнет быстро мигать красным светом. В таком случае выполните следующие действия:

- повторно вставьте аккумулятор (8) в зарядное устройство;
- если индикатор зарядки продолжает быстро мигать красным светом, возьмите другую аккумуляторную батарею для определения правильности

выполнения процесса зарядки;

- если новый аккумулятор заряжается нормально, в таком случае первый аккумулятор вышел из строя, и его необходимо отправить в сервисный центр для утилизации;
- если же в случае нового аккумулятора индикатор зарядки будет мигать так же, как и при первом аккумуляторе, в таком случае отправьте зарядное устройство в уполномоченный сервисный центр для тестирования.

Примечание: для определения поврежденного состояния аккумуляторной батареи понадобится около 30 минут. Если аккумуляторная батарея будет слишком горячей или слишком холодной, светодиодный индикатор будет поочередно мигать красным светом короткой и длинной вспышкой.

Выбор направления вращения (Рис. С)

Для сверления и закручивания шурупов используйте прямое (по часовой стрелке) направление вращения. Для выкручивания шурупов и удаления застрявшего сверла дрели используйте обратное (против часовой стрелки) направление вращения.

- Чтобы выбрать прямое направление вращения, переместите подвижный переключатель прямого/обратного направления вращения (2) влево.
- Чтобы выбрать обратное направление вращения, переместите подвижный переключатель прямого/обратного направления вращения вправо.
- Чтобы заблокировать инструмент, установите подвижный переключатель прямого/обратного направления вращения в центральное положение.

Выключение и включение

- Выберите прямое или обратное направление вращения с помощью подвижного переключателя прямого/обратного направления вращения (2).
- Чтобы включить инструмент, нажмите выключатель (1). Скорость вращения инструмента зависит от того, в какой степени вы нажали (утопили) пусковой выключатель.
- Чтобы выключить инструмент, отпустите пусковой выключатель.

Технология Autoselect™ (Рис. D)

- Для сверления дерева, металлов и пластмасс нажмите кнопку выбора режима дрели (3).

- Для закручивания шурупов нажмите кнопку выбора режима шуруповерта (4).

Технология Autosense™

В режиме шуруповерта этот инструмент оснащен технологией Autosense™, которая позволяет закручивать винты точно и без усилий.

- Выберите режим шуруповерта и проверьте, чтобы подвижный переключатель прямого/обратного направления (2) был установлен в левом положении.
- Нажмите пусковой выключатель (1) для закручивания шурупа в деталь, и инструмент автоматически остановится после того, как шуруп полностью войдет в деталь.
- Если необходимо, чтобы шуруп глубже вошел в деталь, продолжайте удерживать пусковой выключатель. Через мгновение шуруповерт начнет вращаться, чтобы закрутить шуруп на требуемую глубину с более контролируемой скоростью.
- После достижения требуемой глубины отпустите пусковой выключатель.

Примечание: если шуруп остановился на полпути, отпустите пусковой выключатель (1) и затем снова нажмите его, что повторно включить шуруповерт.

Индикатор уровня заряда аккумуляторной батареи (Рис. D).

Инструмент оборудован индикатором уровня заряда аккумуляторной батареи. Он может использоваться для отображения текущего уровня заряда в аккумуляторе во время работы.

- Для отображения текущего уровня заряда нажмите кнопку выбора режима дрели (3) или кнопку выбора режима шуруповерта (4).

Светодиодный индикатор работы

Светодиодный индикатор работы (8) автоматически загорается при нажатии пускового выключателя. Он будет гореть, когда пусковой выключатель будет частично нажат перед тем, как инструмент начнет работать.

Советы для эффективного использования инструмента

Сверление

- Всегда прикладывайте небольшое усилие вдоль оси вращения сверла.

- Перед тем, как сверло пройдет через обратную сторону детали, необходимо уменьшить давление на инструмент.

- Для поддержки деталей, которые могут расколоться, используйте деревянные бруски.

- Для высверливания в дереве отверстий большого диаметра используйте первые сверла.

- Для сверления металла используйте сверла из высокопрочной стали.

- Для сверления металлов, кроме чугуна и латуни, используйте смазку.

- Для увеличения точности в центре отверстия, которое будет высверлено, накерните метку кернером.

Закручивание шурупов

- Всегда используйте наконечник шуруповерта надлежащего типа и размера.

- Если шуруп закручивается туго, попробуйте использовать в качестве смазки немного промывочной жидкости или мыла.

- Инструмент и наконечник всегда должны находиться на одной оси с шурупом.

Техническое обслуживание

Конструкция вашего инструмента BLACK+DECKER рассчитана на работу на протяжении длительного периода времени при минимальном техническом обслуживании. Продолжительная удовлетворительная работа инструмента обеспечивается надлежащим уходом и регулярной очисткой.

Кроме периодической очистки, ваше зарядное устройство не требует других операций технического обслуживания.

Внимание! Перед выполнением каких-либо действий по техническому обслуживанию инструмента, достаньте из него аккумуляторную батарею. Перед проведением очистки зарядного устройства выньте его штепсельную вилку из сетевой розетки.

- Регулярно выполняйте очистку вентиляционных прорезей в инструменте и зарядном устройстве с помощью мягкой щетки или сухой ткани.
- Регулярно выполняйте очистку корпуса двигателя с помощью влажной ткани. Не используйте для очистки абразивные материалы и чистящие средства на основе неводных растворителей.

- Регулярно раскрывайте и выколачивайте зажимной патрон для удаления пыли из его внутренней части.

Аккумуляторные батареи



Когда аккумуляторная батарея полностью выработает свой ресурс, достаньте ее из инструмента.

- NiCd, NiMH и литий-ионные аккумуляторные батареи пригодны для вторичной переработки. Отправьте их любому уполномоченному представителю по ремонту или в местный центр по вторичной переработке.

Суммарные уровни вибрации (сумма векторов по тем осям) согласно EN 60745:

Сверление металла ($a_{h,D}$) < 2,5 м/с², разброс (К) 1,5 м/с²

Закручивание шурупа без ударного воздействия ($a_{h,D}$) < 2,5 м/с², разброс (К) 1,5 м/с²

Технические данные

ASD18 (Тип.1)		
Напряжение	V _{ПОСТ. ТОКА}	18
Скорость холостого хода	мин ⁻¹	0-800
Макс. момент вращения (номинал РТИ)	Нм	16/28
Наибольший диаметр сверла в патроне	мм	10
Наибольший диаметр сверления		
Сталь/дерево	мм	10/25

Зарядное устройство 905998** (тип 1)		
Входное напряжение	V _{ПЕР. ТОКА}	230
Выходное напряжение	V _{ПОСТ. ТОКА}	18
Ток	мА	1000
Приблизительное время зарядки	ч	1,5

Аккумуляторная батарея				
		BL1118	BL1318	BL1518
Напряжение	V _{ПОСТ. ТОКА}	18	18	18
Емкость	Ач	1,1	1,3	1,5
Тип		литий-ионная	литий-ионная	литий-ионная

Уровень звукового давления согласно EN 60745:

Звуковое давление (L_{pA}) 67,1 дБ(А), разброс (К) 3 дБ(А)

Звуковое давление (L_{pA}) 78,1 дБ(А), разброс (К) 3 дБ(А)

Декларация соответствия ЕС ДИРЕКТИВА ПО МАШИННОМУ ОБОРУДОВАНИЮ



ASD18

BLACK+DECKER заявляет, что изделия, описанные в «технических данных», соответствуют: 2006/42/ЕС, EN 60745-1, EN 60745-2-1

Данные изделия также отвечают требованиям Директив 2004/108/ЕС и 2011/65/EU. За более подробной информацией обращайтесь в компанию BLACK+DECKER по следующему адресу, либо по адресу, указанному на обратной стороне данного руководства.

Нижеподписавший несет ответственность за подготовку технической документации и заявляет об этом от имени компании BLACK+DECKER.

Kevin Hewitt

Вице-президент Global Engineering
BLACK+DECKER Europe, 210 Bath Road, Slough,
Berkshire, SL1 3YD United Kingdom (Великобритания)
11.2015

Защита окружающей среды



Раздельный сбор отходов. Запрещается утилизировать этот продукт вместе с обычными бытовыми отходами.

Если вы решите, что ваше изделие BLACK+DECKER необходимо заменить, или если вы не будете его больше использовать¹, не утилизируйте его вместе с бытовыми отходами. Этот продукт подлежит раздельному сбору отходов.



Раздельный сбор использованных продуктов и упаковочных материалов позволяет производить их вторичную переработку с дальнейшим повторным использованием. Повторное использование материалов, прошедших вторичную переработку, снижает загрязнение окружающей среды² и уменьшает потребность в сырьевых материалах.

Нормативные акты местных органов власти могут предусматривать сбор использованных электрических изделий отдельно от бытовых отходов, в муниципальных пунктах сбора отходов или в магазине при покупке нового изделия.

BLACK+DECKER предоставляет возможность для сбора и повторной переработки продуктов BLACK+DECKER после окончания срока их службы. Чтобы воспользоваться преимуществом этого сервиса, пожалуйста, отправьте ваш продукт любому уполномоченному представителю по ремонту, который собирает такие изделия от нашего имени.

Вы можете узнать адрес нашего ближайшего уполномоченного представителя по ремонту, позвонив в региональное представительство BLACK+DECKER, указанное в этой инструкции. Кроме того, список уполномоченных представителей по ремонту BLACK+DECKER, подробная информация о послепродажном обслуживании и контактные данные можно найти на сайте www.2helpU.com.

Гарантийные обязательства

Black + Decker уверена в качестве своих изделий и предоставляет исключительную гарантию. Данное заявление о гарантии дополняет и ни в коей мере не нарушает ваши законные права.

Если продукт производства Black + Decker придет в негодность вследствие некачественных материалов, некачественного изготовления или несоответствия требованиям, BLACK+DECKER гарантирует в пределах 24-х месяцев с даты продажи выполнять замену дефектных деталей, выполнять ремонт изделий, подвергшихся естественному износу, или выполнять замену таких изделий, для сведения к минимуму неудобств для покупателя, за исключением перечисленных ниже случаев:

- Данный продукт был использован для продажи, на промышленных работах или сдавался на прокат.
- Данный продукт использовался неправильно или без надлежащего ухода.
- Данному продукту был нанесен ущерб посторонними предметами, веществами или вследствие чрезвычайного происшествия.
- Была осуществлена попытка ремонта продукта лицами, не являющимися уполномоченными представителями по ремонту или ремонтно-обслуживающим персоналом Black + Decker.

Чтобы заявить претензию по гарантии, необходимо будет предоставить подтверждение покупки продавцу или уполномоченному представителю по ремонту. Вы можете узнать адрес нашего ближайшего уполномоченного представителя по ремонту, позвонив в региональное представительство BLACK+DECKER, указанное в этой инструкции. Кроме того, список уполномоченных представителей по ремонту BLACK+DECKER, подробная информация о послепродажном обслуживании и контактные данные можно найти на сайте www.2helpU.com.



Гарантийные условия

Уважаемый покупатель!

1. Поздравляем Вас с покупкой высококачественного изделия Black + Decker и выражаем признательность за Ваш выбор.
2. При покупке изделия требуйте проверки его комплектности и исправности в Вашем присутствии, инструкцию по эксплуатации и заполненный гарантийный талон на русском языке.

В гарантийном талоне должны быть внесены: модель, дата продажи, серийный номер, дата производства инструмента; название, печать и подпись торговой организации. При отсутствии у Вас правильно заполненного гарантийного талона мы будем вынуждены отклонить Ваши претензии по качеству данного изделия.

3. Во избежание недоразумений убедительно просим Вас перед началом работы с изделием внимательно ознакомиться с инструкцией по его эксплуатации.

Правовой основой настоящих гарантийных условий является действующее Законодательство.

Гарантийный срок на данное изделие составляет 24 месяца и исчисляется со дня продажи. В случае устранения недостатков изделия, гарантийный срок продлевается на период его нахождения в ремонте.

Срок службы изделия - 5 лет со дня продажи.

4. В случае возникновения каких-либо проблем в процессе эксплуатации изделия рекомендуем Вам обращаться только в уполномоченные сервисные центры Black + Decker, адреса и телефоны которых Вы сможете найти в гарантийном талоне, на сайте www.2helpU.com или узнать в магазине. Наши сервисные станции - это не только квалифицированный ремонт, но и широкий ассортимент запчастей и принадлежностей.
5. Производитель рекомендует проводить периодическую проверку и техническое обслуживание изделия в уполномоченных сервисных центрах.

6. Наши гарантийные обязательства распространяются только на неисправности, выявленные в течение гарантийного срока и вызванные дефектами производства и \ или материалов.
7. Гарантийные обязательства не распространяются на неисправности изделия, возникшие в результате:
 - 7.1. Несоблюдения пользователем предписаний инструкции по эксплуатации изделия, применения изделия не по назначению, неправильному хранению, использования принадлежностей, расходных материалов и запчастей, не предусмотренных производителем.
 - 7.2. Механического повреждения (сколы, трещины и разрушения) внутренних и внешних деталей изделия, основных и вспомогательных рукояток, сетевого электрического кабеля, вызванного внешним ударным или любым иным воздействием.
 - 7.3. Попадания в вентиляционные отверстия и проникновение внутрь изделия посторонних предметов, материалов или веществ, не являющихся отходами, сопровождающими применение изделия по назначению, такими как: стружка, опилки, песок, и пр.
 - 7.4. Воздействие на изделие неблагоприятных атмосферных и иных внешних факторов, таких как дождь, снег, повышенная влажность, нагрев, агрессивные среды, несоответствие параметров питающей электросети, указанным на инструменте.
 - 7.5. Стихийного бедствия. Повреждение или утрата изделия, связанное с непредвиденными бедствиями, стихийными явлениями, в том числе вследствие действия непреодолимой силы (пожар, молния, потоп и другие природные явления), а так же вследствие перепадов напряжения в электросети и другими причинами, которые находятся вне контроля производителя.
8. Гарантийные условия не распространяются:
 - 8.1. На инструменты, подвергавшиеся вскрытию, ремонту или модификации вне уполномоченной сервисного центра.
 - 8.2. На детали и узлы, имеющие следы естественного износа, такие как: приводные ремни и колеса, угольные щетки, смазка, подшипники, зубчатое зацепление редукторов, резиновые уплотнения, сальники, направляющие ролики, муфты, выключатели, бойки, толкатели, стволы и т.п.
 - 8.3. на сменные части: патроны, цанги, зажимные гайки и фланцы, фильтры, аккумуляторные батареи, ножи, шлифовальные подошвы, цепи, звездочки, пильные шины, защитные кожухи, пилки, абразивы, пильные и абразивные диски, фрезы, сверла, буры и т.п.
 - 8.4. На неисправности, возникшие в результате перегрузки инструмента (как механической, так и электрической), повлекшей выход из строя одновременно двух и более деталей и узлов, таких как: ротора и статора, обеих обмоток статора, ведомой и ведущей шестерни редуктора и других узлов и деталей. К безусловным признакам перегрузки изделия относятся, помимо прочих: появление цветов побежалости, деформация или оплавление деталей и узлов изделия, потемнение или обугливание изоляции проводов электродвигателя под воздействием высокой температуры.

Изготовитель

Блэк энд Деккер Холдингс ГмбХ
Германия, 65510, Идштайн,
ул. Блэк энд Деккер, 40

Kullanım amacı

BLACK+DECKER matkap/tornavidanız, vidalama işlemlerini gerçekleştirmek ve ahşap, metal ve yumuşak taşları delmek için tasarlanmıştır. Bu alet, yalnızca tüketici kullanımı içindir.

Güvenlik talimatları

Genel elektrikli alet güvenlik uyarıları



Uyarı! Tüm güvenlik uyarılarını ve talimatları okuyun. Aşağıda listelenen uyarılara ve talimatlara uyulmaması halinde, elektrik çarpması, yangın ve/veya ciddi yaralanmalar olabilir.

İleride ihtiyaç duyulması ihtimaline karşın tüm uyarıları ve talimatları saklayın. Aşağıda listelenen uyarıların tümünde geçen "elektrikli alet" terimi, elektrik şebekesiyle çalışan (kablolu) elektrikli aletleri veya bataryayla çalışan (kablesiz) elektrikli aletleri ifade etmektedir.

1. Çalışma alanı güvenliği

- Çalışma alanı temiz tutulmalı ve iyi aydınlatılmalıdır.** Dağınık veya karanlık alanlar, kazalara neden olur.
- Elektrikli aletleri, alev alabilen sıvıların, gazların veya tozun olduğu ortamlar gibi patlayıcı ortamlarda çalıştırmayın.** Elektrikli aletler, tozları veya buharları tutuşturabilen kıvılcımlar çıkarır.
- Bir elektrikli aleti çalıştırırken, çocukları ve izleyen kişileri uzak tutun.** Dikkat dağınıklığı, kontrolü kaybetmenize neden olabilir.

2. Elektriksel güvenlik

- Elektrikli aletlerin fişleri, prizlerle uyumlu olmalıdır.** Fişin üzerinde hiçbir şekilde değişiklik yapmayın. Adaptör fişleri, topraklanmış elektrikli aletlerle kullanmayın. Üzerinde değişiklik yapılmamış fişler ve uyumlu prizler, elektrik çarpması riskini azaltır.
- Boru, radyatör, ocak veya buzdolabı gibi topraklanmış yüzeylerle vücut temasından kaçının.** Vücutunuz topraklanırsa, elektrik çarpması riski artar.
- Elektrikli aletleri yağmura veya ıslak koşullara maruz bırakmayın.** Elektrikli aletin içine su girmesi, elektrik çarpması riskini artırır.
- Kabloya zarar vermeyin.** Kabloyu asla taşıma, çekme ve prizden sökmeye gibi işlemler için kullanmayın. Kabloyu ısıdan, yağdan, keskin kenarlardan ve hareketli parçalardan uzak tutun. Hasar görmüş veya karışmış kablolar, elektrik çarpması riskini artırır.
- Elektrikli bir aleti açık havada çalıştırırken, açık havada kullanım için uygun bir uzatma kablosu**

kullanın. Açık havada kullanım için uygun bir kabloun kullanılması, elektrik çarpması riskini azaltır.

- Elektrikli aletin nemli bir yerde çalıştırılması gerekiyorsa, kaçak akım rölesi (RCD) korumalı bir besleme kullanın.** Kaçak akım rölesinin kullanılması, elektrik çarpması riskini azaltır.
- Kişisel güvenlik**
 - Bir elektrikli aleti çalıştırırken tetikte olun, ne yaptığınıza dikkat edin ve sağduyulu davranın.** Uyuşturucu maddelerin, alkolün veya ilaçların etkisi altındayken elektrikli alet kullanmayın. Elektrikli aletleri çalıştırırken, bir anlık dikkatsizlik ciddi yaralanmalara neden olabilir.
 - Kişisel koruyucu donanım kullanın. Daima göz koruması kullanın.** Uygun koşullar için kullanılan toz maskesi, kaymaz güvenlik ayakkabısı, baret veya kulak tıkacı gibi koruyucu donanımlar, yaralanma riskini azaltır.
 - İstem dışı çalışmayı önleyin. Aleti kaldırmadan, taşımadan veya güç kaynağına ve /veya batarya kutusuna bağlamadan önce, aletin kapalı konumda olduğundan emin olun.** Aleti, parmağınız düğmenin üzerindeyken taşımak veya açma düğmesi olan aletlere enerji vermek, kazalara davetiye çıkarır.
 - Elektrikli aleti açmadan önce, ayar anahtarını veya İngiliz anahtarını çıkarın.** Aletin döner bölümüne takılı halde bırakılmış İngiliz anahtar veya anahtar, yaralanmalara neden olabilir.
 - Kapasiteyi aşmayın. Daima uygun dayanak ve denge sağlayın.** Bu, beklenmeyen durumlarda aletin daha iyi kontrol edilebilmesini sağlar.
 - Uygun giyinin. Bol kıyafetler giymeyin ve takı takmayın. Saçlarınızı, kıyafetlerinizi ve eldivenlerinizi, hareketli parçalardan uzak tutun.** Bol kıyafetler, takılar ve uzun saçlar, hareketli parçalara takılabilir.
 - Cihazlarda toz giderme ve toplama tesisatı varsa, bunların bağlı olduğundan ve uygun şekilde bağlantı yapılarak kullanıldığından emin olun.** Toz toplama tesisatının kullanımı, tozdan kaynaklı hasarları azaltabilir.
 - Elektrikli alet kullanımı ve bakımı**
 - Elektrikli aleti zorlamayın. Uygulamanız için doğru elektrikli aleti kullanın.** Doğru elektrikli alet, tasarlanma amacı oranında işi daha iyi ve daha güvenli bir şekilde yapacaktır.
 - Elektrikli alet, düğme kullanılarak açılmıyor veya kapatılmıyorsa, aleti kullanmayın.** Düğme ile kontrol edilemeyen elektrikli aletler tehlike arz eder ve tamir edilmeleri gerekir.

- c. Herhangi bir ayarlama veya aksesuar değişikliği yapmadan veya aletleri kaldırmadan önce, fişi güç kaynağından çekin ve/veya batarya kutusunu elektrikli aletten çıkarın. Bu gibi önleyici güvenlik önlemleri, elektrikli aletin kazara çalıştırılması riskini azaltır.
- d. Kullanılmayan elektrikli aletleri çocukların erişemeyeceği yerlerde saklayın ve elektrikli alete veya bu talimatlara aşına olmayan kişilerin aleti çalıştırmasına izin vermeyin. Elektrikli aletler, eğitimsiz kişiler tarafından kullanıldığında tehlike arz eder.
- e. Elektrikli aletlerin bakımını yapın. Hareketli parçalarda yanlış ayarlama veya bağlantı olup olmadığını, parçalarda kırık olup olmadığını ve elektrikli aletin çalışmasını etkileyecek herhangi başka bir durum olup olmadığını kontrol edin. Hasar varsa, elektrikli aleti kullanmadan önce tamir ettirin. Çoğu kazanın nedeni, elektrikli aletlerin bakımının iyi yapılmamasıdır.
- f. Kesme aletlerini keskin ve temiz halde tutun. Bakımı iyi yapılmış keskin kenarlı kesme aletlerinin tutukluk yapma ihtimali daha düşüktür ve kontrol edilmeleri daha kolaydır.
- g. Elektrikli aleti, aksesuarları, torna kalemleri vb. parçaları, çalışma koşullarını ve yapılacak işi dikkate alarak, bu talimatlar uyarınca kullanın. Elektrikli aletin kullanım amacından başka işlemler için kullanılması, tehlikeli durumlara neden olabilir.
5. Batarya aleti kullanımı ve bakım
- a. Bataryayı yalnızca üretici tarafından belirtilen şarj aletiyle doldurun. Tek tür batarya kutusu için uygun olan bir şarj aleti, başka bir batarya kutusu ile kullanıldığında yangın riski oluşturabilir.
- b. Elektrikli aletleri, yalnızca özel olarak belirlenmiş batarya kutularıyla kullanın. Herhangi başka bir batarya kutusunun kullanımı, yaralanma veya yangın riski oluşturabilir.
- c. Batarya kutusu kullanılmıyorken, bir uçtan diğerine bağlantı kurabilecek atış, madeni para, çivi, vida vb. metal nesnelere uzak tutun. Batarya uçlarına bir arada kısa devre yaptırılması, yanıklara veya yangına neden olabilir.
- d. Kötü şartlar altında, sıvı, bataryadan dışarı atılabilir; temas etmekten kaçının. Yanlışlıkla temas ederseniz, bol su ile yıkayın. Sıvı gözlere temas ederse, ek olarak tıbbi yardım alın. Bataryadan çıkan sıvı, tahrişe veya yanıklara neden olabilir.

6. Servis

- a. Elektrikli cihazınızın bakımını, yalnızca aynı yedek parçaları kullanan kalifiye bir tamirciye yaptırın. Böylece, cihazınızın güvenli halinin devam ettiğinden emin olursunuz.

Ek elektrikli alet güvenlik uyarıları



Uyarı! Matkaplar ve darbeli matkaplar için ek güvenlik uyarıları

- **Darbeli matkap kullanırken göz koruyucusu takın.** Gürültüye maruz kalma, duyma kaybına neden olabilir.
- **Aletle birlikte tedarik edilen yardımcı kolları kullanın.** Kontrol kaybı, yaralanmalara neden olabilir.
- **Kesme aksesuarlarının gizli bağlantıya temas edebileceği bir iş yaparken, elektrikli aleti yalıtımlı tutma yüzeylerinden tutun.** Kesme aksesuarlarının "elektrikli" bir tele temas etmesi, elektrikli aletin açtıktaki metal parçalarının "elektriklenmesine" ve kullanıcının çarpılmasına neden olabilir.
- **Tutturma gerecinin gizli bağlantıya temas edebileceği bir iş yaparken, elektrikli aleti yalıtımlı tutma yüzeylerinden tutun.** Tutturma gereçlerinin "elektrikli" bir tele temas etmesi, elektrikli aletin açtıktaki metal parçalarının "elektriklenmesine" ve kullanıcının çarpılmasına neden olabilir.
- **Parçayı sabit bir platforma sabitlemek ve desteklemek için, kısıkaç veya başka bir pratik yol kullanın.** Parçayı elinizle veya vücudunuza doğru tutmak, parçayı sabit olmayan bir hale getirir ve kontrol kaybına neden olabilir.
- Duvarı, zemini veya tavanı delmeden önce, elektrik tesisatının ve boruların yerini kontrol edin.
- Delme işleminden hemen sonra matkabın ucuna dokunmaktan kaçının; sıcak olabilir.
- Bu alet, aletin kullanımı konusunda bilgilendirilmedikleri veya güvenliklerinden sorumlu bir kişi tarafından gözetim altında tutulmadıkları sürece, fiziksel, duyuşal veya zihinsel yetenekleri yetersiz olan veya tecrübe ve bilgi eksikliği olan kişiler (çocuklar dahil) tarafından kullanılamaz. Çocuklar, cihazla oynamadıklarından emin olmak için gözetim altında tutulmalıdır.
- Kullanım amacı bu talimat kılavuzunda açıklanmıştır. Bu aletin, talimat kılavuzunda tavsiye edilenler dışında herhangi bir aksesuarının, eklentisinin veya performansının kullanılması, yaralanmalara ve/veya mal hasarına neden olabilir.

Artık riskler

Artık ek riskler, ürün ilgili güvenlik uyarılarında mevcut olmayan şekilde kullanıldığında ortaya çıkabilir. Bu riskler yanlış kullanım, uzun süreli kullanım vb. nedenlerle ortaya çıkabilir.

Güvenlik cihazlarının ilgili güvenlik yönetmeliklerinin ve uygulamalarının yerine getirilmesi bile, bazı artık risklerden kaçınmak için yeterli değildir. Söz konusu riskler aşağıdaki gibidir:

- Döner/hareketli parçalara dokunulmasından kaynaklanan yaralanmalar,
- Parçaları, bıçakları veya aksesuarları değiştirirken meydana gelen yaralanmalar,
- Bir aletin uzun süreli kullanımından kaynaklanan yaralanmalar, Herhangi bir aleti uzun süre kullanırken, düzenli aralar verdiğinizinden emin olun,
- Duyma bozukluğu,
- Aletinizi kullanırken toz solumaktan dolayı meydana gelen sağlık tehditleri (örneğin, ahşapla çalışırken; özellikle de meşe, kayın ve MDF).

Titreşim

Teknik veriler ve uygunluk beyanında belirtilen titreşim emisyonu değerleri, EN 60745 tarafından sağlanan standart bir test yöntemi uyarınca ölçülmüştür ve bir aleti başka bir aletle karşılaştırmak için kullanılabilir. Belirtilen titreşim emisyonu değeri, aynı zamanda teşhirin ön değerlendirmesi için de kullanılabilir.

Uyarı! Elektrikli aletin fiili kullanımı sırasındaki titreşim emisyonu değeri, aletin kullanım şekillerine göre belirtilen değerden farklı olabilir. Titreşim seviyesi, belirtilen seviyenin üzerine çıkabilir.

İşlerinde elektrikli aletleri düzenli olarak kullanan kişileri korumak için 2002/44/EC uyarınca gerekli görülen güvenlik önlemlerini belirlemek için titreşim maruziyeti değerlendirilirken, titreşim maruziyetinin tahmini, başlatma zamanına ek olarak, aletin kapandığı ve boşta çalıştığı zamanlar gibi faaliyet döngüsünün tamamı dahil, gerçek kullanım koşulları ve aletin kullanım şekli göz önünde bulundurulmalıdır.

Aletin üzerindeki etiketler

Aletin üzerinde, aşağıdaki resimli şemalar gösterilmektedir:



Uyarı! Kullanıcı, yaralanma riskini azaltmak için, kullanım talimatını okumalıdır.

Bataryalar ve şarj cihazları için ek güvenlik talimatları

Bataryalar

- Hiçbir nedenle açmaya çalışmayın.
- Bataryayı suya maruz bırakmayın.
- Sıcaklığın 40 °C'nin üzerine çıkabileceği yerlerde saklamayın.
- Yalnızca 10 °C ve 40 °C arası ortam sıcaklıklarında şarj edin.
- Yalnızca aletle birlikte verilen şarj cihazını kullanarak şarj edin.
- Bataryaları imha ederken, "Çevreyi koruma" bölümünde verilen talimatlara uyun.



Hasar görmüş bataryaları şarj etmeye çalışmayın.

Şarj Cihazları

- Aletin içerisindeki bataryayı şarj etmek için, yalnızca ürünle birlikte verilen BLACK+DECKER şarj cihazınızı kullanın. Eskimiş bataryalar patlayarak yaralanmalara ve hasara neden olabilir.
- Şarj edilemez bataryaları şarj etmeye çalışmayın.
- Hasar görmüş kabloları derhal yenileyin.
- Şarj cihazını suya maruz bırakmayın.
- Şarj cihazını açmayın.
- Şarj cihazını kurcalamayın.



Şarj aleti yalnızca iç mekanlarda kullanım amaçlıdır.



Kullanmadan önce kullanım talimatını okuyun.

Elektriksel güvenlik



Şarj cihazınız çift yalıtımlıdır; dolayısıyla topraklama kablosu gerekmez. Şebeke geriliminin anma değeri plakasındaki gerilimle uyumlu olup olmadığını daima kontrol edin. Şarj cihazı ünitesini asla normal bir şebeke fişliyle değiştirmeye çalışmayın.

- Besleme kablosu hasar görmüşse, tehlikelerden kaçınmak için üretici veya yetkili bir BLACK+DECKER Servis Merkezi tarafından yenisiyle değiştirilmelidir.

Özellikler

Aşağıdaki özelliklerin bazıları veya tümü bu alette mevcuttur.

1. Değişken hız düğmesi
2. İleri/geri kaydırıcı
3. Delme modu selektörü
4. Tornavida modu selektörü
5. Şarj göstergesi durumu
6. Tek manşonlu matkap kovani
7. Matkap kovani
8. LED çalışma ışığı

Şekil A

9. Batarya
10. Şarj Cihazı
11. Şarj Göstergesi

Montaj

Uyarı! Montajdan önce, bataryayı aletten çıkarın.

Bataryanın takılması ve çıkarılması (şekil B)

- Bataryayı (9) takmak için, aletteki yuvayla hizalayın. Aleti yuvaya doğru kaydırın ve batarya yerine oturana kadar bastırın.
- Bataryayı çıkarmak için, bataryayı yuvadan dışarı doğru çekerken aynı anda çıkarma düğmesine (12) basın.

Matkap ucunun veya tornavida ucunun takılması ve çıkarılması

Bu alet, uçların kolayca değiştirilebilmesi için anahtarsız bir matkap kovaniyle donatılmıştır.

- İleri/geri kaydırıcıyı (2) merkez konuma ayarlayarak aleti kilitleyin.
- Tek manşonlu matkap kovaniyi (6) çevirerek açın.
- Uç şaftını kovana yerleştirin ve tek manşonlu matkap kovaniyi iyice sıkın.

Bu alet, matkap kovaniyi (7) içinde bir tornavida ucuyla donatılmıştır.

- Matkap kovaniyi içinden tornavida ucunu çıkarmak için, ucu boşluktan kaldırın.
- Tornavida ucunu saklamak için, kovana doğru iyice itin.

Uyarı! Tek manşonlu matkap kovaniyi tutarak ve aleti açarak matkap uçlarını (veya herhangi başka bir aksesuarı) sıkmaya çalışmayın. Aksesuarlar değiştirilirken, tek manşonlu matkap kovaniyi hasar görebilir veya yaralanmalar meydana gelebilir.

Kullanım

Uyarı! Aleti kendi temposunda çalıştırın. Aşırı yüklemeye yapmayın.

Uyarı! Duvarı, zemini veya tavanı delmeden önce, elektrik tesisatının ve boruların yerini kontrol edin.

Bataryanın şarj edilmesi (şekil A)

Batarya, ilk kullanımdan önce ve daha önce kolayca yapılabilen işlerde yeterli gücü üretmediği zaman şarj edilmelidir. Batarya şarj edilirken ısınabilir; bu durum normaldir ve bir soruna işaret etmez.

Uyarı! Bataryayı 10 °C'nin altındaki veya 40 °C'nin üzerindeki ortam sıcaklıklarında şarj etmeyin. Tavsiye edilen şarj etme sıcaklığı ortalama 24 °C'dir.

Not: Hücre sıcaklığı yaklaşık 10 °C'nin altında veya 40 °C'nin üzerinde ise, şarj cihazı bataryayı şarj etmeyecektir. Batarya, şarj cihazının içinde bırakılmamalıdır; hücre sıcaklığı arttığı veya azaldığı zaman, şarj cihazı bataryayı otomatik olarak şarj etmeye başlayacaktır.

- Bataryayı (8) şarj etmek için, şarj cihazının (9) içine yerleştirin. Batarya, şarj cihazının içine tek yönlü olarak sığmayacaktır. Zorlamayın. Bataryanın şarj cihazına tamamen oturduğundan emin olun.
- Şarj cihazını prize takın ve şebekeden açın.

Şarj göstergesi (10) yanıp sönecektir.

Şarj göstergesi (10) sürekli yanar halde ise, şarj etme tamamlanmıştır. Şarj cihazı ve batarya, süresiz olarak bağlı halde bırakılabilir. Şarj cihazı ara sıra batarya şarjını tamamen doldurduğunda, LED yanacaktır.

- Boşalmış bataryaları 1 hafta içinde şarj edin. Bataryalar şarjı boşalmış halde saklanırsa, batarya ömrü ciddi derecede azalacaktır.

Bataryanın şarj cihazı içerisinde bırakılması

LED süresiz olarak yanarken, şarj cihazı ve batarya kutusu bağlı halde bırakılabilir. Şarj cihazı, batarya kutusunu yeni ve tamamen şarj olmuş halde tutacaktır.

Şarj cihazı tanıları

Şarj cihazı zayıf veya hasar görmüş bir batarya tespit ederse, şarj göstergesi (10) yüksek hızda kırmızı renkte yanacaktır. Aşağıdaki adımları takip edin:

- Yeni batarya orijinal bataryayla aynı göstergeleri veriyorsa, bataryayı test ettirmek üzere yetkili bir servis merkezine götürün.

Not: Bataryanın hasarlı olup olmadığının belirlenmesi 30 dakikaya kadar sürebilir. Batarya çok sıcak veya çok soğuksa, LED dönüşümlü olarak her hızda ve tekrarda bir kez olmak üzere kırmızı, hızlı ve yavaş olarak yanacaktır.

Dönüş yönünün seçilmesi (şekil C)

Delme ve vidaların sıkılması işlemleri için, ileri (saat yönünde) dönüşü kullanın. Vidaların gevşetilmesi ve sıkılmış bir matkap ucunun çıkarılması işlemleri için, geri (saat yönünün tersine) dönüşü kullanın.

- İleri dönüşü seçmek için, ileri/geri kaydırıcıyı (2) sola itin.
- Geri dönüşü seçmek için, ileri/geri kaydırıcıyı sağa itin.
- Aleti kilitlemek için, ileri/geri kaldırıcıyı merkez konuma ayarlayın.

Açma ve kapatma

- İleri/geri kaydırıcıyı (2) kullanarak ileri veya geri dönüşü seçin.
- Aleti açmak için, düğmeye (1) basın. Alet hızı, başlatma düğmesine ne kadar bastığınıza bağlıdır.
- Aleti kapatmak için, başlatma düğmesini bırakın.

Autoselect™ (otomatik seçim) teknolojisi (şekil D)

- Ahşap, metal ve plastikleri delmek için, delme modu selektör düğmesine (3) basın.
- Vidalama için, tornavida modu selektör düğmesine (4) basın.

Autosense™ (otomatik algılama) teknolojisi

Bu alet, vidalama modunda, vidaların doğru ve zahmetsiz bir şekilde takılmasına yardımcı olan Autosense™ teknolojisi ile donatılmıştır.

- Vidalama modunu seçin ve ileri/geri kaydırıcının (2) sola itilmiş olduğundan emin olun.
- İş parçasına bir vida takmak için başlatma düğmesini (1) çekin; vida iş parçasıyla aynı hizaya geldiğinde alet otomatik olarak duracaktır.
- Daha derin bir vidalama istiyorsanız, başlatma düğmesini tutmaya devam edin. Vidayı daha kontrol edilebilir bir tempoda istenen derinliğe takmak için, bir süre sonra matkap dönmeye başlayacaktır.
- İstenen derinliğe ulaştığınızda, başlama düğmesini bırakın.

Not: Vida yarı yolda durursa, başlatma düğmesini (1) bırakın ve daha sonra tekrar başlatmak için başlatma düğmesine (1) basın.

Şarj göstergesi durumu (şekil D)

Bu alette bir şarj göstergesi durumu mevcuttur. Kullanım sırasında bataryadaki mevcut şarj durumunu görüntülemek için kullanılabilir.

- Mevcut şarj durumunu görüntülemek için, delme modu selektör düğmesine (3) veya vidalama modu selektör düğmesine (4) basın.

LED çalışma ışığı

Düğmeye basıldığı zaman, LED çalışma ışığı (8) otomatik olarak etkinleşir. Düğmeye kısmen basıldığı zaman, ünite çalışmaya başlamadan önce LED çalışma ışığı aydınlanacaktır.

En uygun kullanım için ipuçları

Delme

- Daima matkap ucuyla düz hizalı olarak hafif bir baskı uygulayın.
- Matkap ucu iş parçasının diğer tarafına geçmeden hemen önce, alet üzerindeki baskıyı azaltın.
- Parçalanma ihtimali olan iş parçalarını desteklemek için tahta bir blok kullanın.
- Ahşapta büyük çaplı delikler açarken, kürek uçları kullanın.
- Metal malzemeleri delerken HSS matkap uçlarını kullanın.
- Dökme demir ve pirinç harici metalleri delerken, bir yağlama maddesi kullanın.
- Doğruluğu artırmak için, bir merkez zımbası kullanarak delinecek boşluğun ortasında bir iz oluşturun.

Vidalama

- Daima doğru türde ve boyuttaki tornavida uçlarını kullanın.
- Vidaların sıkılması zorsa, yağlayıcı olarak küçük bir miktar bulaşık deterjanı veya sabun uygulamayı deneyin.
- Aleti ve tornavida ucunu, daima vidayla düz hizada tutun.

Bakım

BLACK+DECKER aletiniz, minimum bakım gereksinimi ile uzun zaman çalışmak üzere tasarlanmıştır. Aletin sürekli olarak memnun edici şekilde çalışması, uygun alet bakımına ve düzenli temizliğe bağlıdır.

Şarj cihazınız düzenli temizlikten başka bir bakım işlemi gerektirmez.

Uyarı! Alet üzerinde herhangi bir bakım işlemi yapmadan önce, bataryayı aletten çıkarın. Şarj cihazını temizlemeden önce prizden çıkarın.

- Yumuşak bir fırça veya kuru bir bez kullanarak, aletinizdeki ve şarj cihazınızdaki havalandırma deliklerini düzenli olarak temizleyin.
- Motor yuvasını nemli bir bez kullanarak düzenli olarak temizleyin. Aşındırıcı veya çözücü bazlı temizlik malzemeleri kullanmayın.
- Matkap kovanını düzenli aralıklarla açın ve iç kısımdaki tozları dışarı çıkarmak için hafifçe vurun.

Bataryalar



Bataryayı tamamen boşaltın, daha sonra aletten çıkarın.

- NiCd, NiMH ve Lityum-lyon bataryalar geri dönüştürülebilirler. Bu bataryaları yetkili bir tamir görevlisine veya yerel bir geri dönüşüm merkezine götürün.

Teknik veriler

ASD18 (Typ.1)		
Gerilim	V_{DC}	18
Yüksüz hız	Min^{-1}	0-800
Maks. tork		
(PTI Derecelendirmesi)	Nm	16/28
Matkap kovani kapasitesi	mm	10
Maksimum Delme kapasitesi		
Çelik/ağşap	mm	10/25

Şarj Cihazı			905998** (tip. 1)
Giriş Gerilimi	V_{AC}		230
Çıkış Gerilimi	V_{DC}		18
Akım	mA		1000
Yaklaşık şarj süresi	sa		1,5

Batarya		BL1118	BL1318	BL1518
Gerilim	V_{DC}	18	18	18
Kapasite	Ah	1,1	1,3	1,5
Tür		Lityum-lyon	Lityum-lyon	Lityum-lyon

EN 60745 uyarınca ses basıncı seviyesi:

Ses basıncı (L_{pA}) 67,1 dB(A), belirsizlik (K) 3 dB(A)
Ses gücü (L_{WA}) 78,1 dB(A), belirsizlik (K) 3 dB(A)

EN 60745 uyarınca titreşim toplam değerleri (üç eksenli vektör toplamı):

Metal delme ($a_{h,D}$) < 2,5 m/s², belirsizlik (K) 1,5 m/s²
Darbesiz vidalama ($a_{h,s}$) < 2,5 m/s², belirsizlik (K) 1,5 m/s²

EC uygunluk beyanı

MAKİNE DİREKTİFİ



BLACK+DECKER, "teknik veriler" altında tanımlanan bu ürünlerin aşağıdakilere uygun olduğunu beyan eder: 2006/42/EC, EN 60745-1, EN 60745-2-1

Ayrıca bu ürünler 2004/108/EC ve 2011/65/EU Direktiflerine de uygundur. Daha fazla bilgi almak için, lütfen aşağıdaki adresten BLACK+DECKER ile iletişime geçin veya kılavuzun arka tarafına bakın.

Aşağıda imzası bulunan şahıs teknik verilerin derlenmesinden sorumludur ve BLACK+DECKER adına bu beyanını vermektedir.

K. Hewitt

Kevin Hewitt

Global Mühendislik Başkan Yardımcısı
BLACK+DECKER Europe, 210 Bath Road, Slough,
Berkshire, SL1 3YD Birleşik Krallık
11.2015

Çevrenin korunması



Ayrı olarak atın. Bu ürün, normal evsel atıklarla birlikte atılmamalıdır.

BLACK+DECKER ürününüzün değiştirilmesi gerektiğini düşünmeniz veya artık kullanılamaz durumda olması halinde onu, evsel atıklarla birlikte atmayın. Bu ürünü, ayrı olarak toplanacak şekilde atın.



Kullanılmış ürünlerin ve ambalajların ayrı olarak toplanması bu maddelerin geri dönüşüme sokularak yeniden kullanılmasına olanak tanır. Geri dönüşümlü maddelerin tekrar kullanılması çevre kirliliğinin önlenmesine yardımcı olur ve ham madde ihtiyacını azaltır.

Yerel yönetmelikler, elektrikli ürünlerin evlerden toplanıp belediye atık tesislerine aktarılması veya yeni bir ürün satın alırken perakende satıcı tarafından toplanması yönünde hükümler içerebilir.

BLACK+DECKER, hizmet ömrünün sonuna ulaşan BLACK+DECKER ürünlerinin toplanması ve geri dönüşüme sokulması için bir imkan sunmaktadır. Bu hizmetin avantajlarından faydalanmak için, lütfen, ürününüzü bizim adımıza teslim alacak herhangi bir yetkili servise iade edin.

Bu kılavuzda belirtilen listeden size en yakın BLACK+DECKER yetkili tamir servisinin yerini öğrenebilirsiniz. Ya da, alternatif olarak internet'ten BLACK+DECKER yetkili tamir servislerinin listesini ve satış sonrası hizmetlerimizle ilgili tüm bilgiler ve temas bilgilerine aşağıdaki siteden ulaşabilirsiniz. www.2helpU.com

Garanti

BLACK+DECKER, ürünün kalitesinden emindir ve bu yüzden kanunlarda belirtilen taleplerin üstünde bir garanti verir. Ayrıca bu garanti hiçbir şekilde garanti ile ilgili kanuni haklarınızı ihlal etmez ve haklarınızı hiç bir şekilde kısıtlamaz.

Eğer bir BLACK+DECKER ürünü, satın alma tarihinden itibaren 24 ay içinde hatalı malzeme, işçilik ya da uygunsuzluk nedeniyle bozulursa, müşteriye mümkün olabilecek en az sorunu yaşatarak BLACK+DECKER hatalı kısımları değiştirmeyi, adil bir şekilde aşınmış ve yıpranmış ürünleri tamir etmeyi veya değiştirmeyi garanti eder. Ancak bu belirtilenler şu durumlar dışında geçerlidir:

- Ürün ticari veya profesyonel amaçlarla kullanılmışsa veya kiraya verilmişse;
- Ürün yanlış veya amaç dışı kullanılmışsa;
- Ürün yabancı nesnelere, maddelere veya kaza sırasında zarar görmüşse;
- Yetkili tamir servisleri veya Black + Decker servis ekibinden başkası tarafından tamir edilmeye çalışılmışsa.

Garanti talebinde bulunmak için, satıcıya veya yetkili tamir servisine satın aldığınıza dair ispat sunmalısınız. Fatura ve garanti kartı gerekmektedir. Bu kılavuzda belirtilen listeden size en yakın BLACK+DECKER yetkili tamir servisinin yerini öğrenebilirsiniz. Ya da, alternatif olarak internet'ten BLACK+DECKER yetkili tamir servislerinin listesini ve satış sonrası hizmetlerimizle ilgili tüm bilgiler ve temas bilgilerine aşağıdaki siteden ulaşabilirsiniz. www.2helpU.com

Призначення

Ваш дріль/шурупверт BLACK + DECKER призначений для загвинчування шурупів та свердління дерева, металів, пластмас та м'якої цегляної кладки. Цей інструмент призначений тільки для використання споживачем.

Вказівки з техніки безпеки

Загальні вказівки щодо безпечної роботи з електричним інструментом



Увага! Уважно прочитайте всі попереджувальні написи та вказівки щодо безпечної роботи. Недотримання

попереджувальних написів і вказівок щодо безпечної роботи може призвести до ураження електричним струмом, пожежі та/або серйозних травм персоналу.

Зберігайте всі попереджувальні написи та вказівки щодо безпечної роботи для використання в майбутньому. Термін «електричний інструмент», що використовується у всіх застережливих написах та вказівках щодо техніки безпеки, представлені нижче, відносяться до електричного інструменту, який працює від мережі (зі шнуром електроживлення) або від акумуляторної батареї (без шнура живлення).

1. Вказівки з безпеки на робочому місці

- a. **Робоче місце повинне утримуватися в чистоті та повинне бути обладнане належним освітленням** Безлад або погане освітлення на робочому місці може призвести до нещасного випадку.
- b. **Забороняється використання електричного інструменту у вибухонебезпечному середовищі, наприклад, в умовах наявності легкозаймистих рідин, газів або пилу.** Іскри, що виникають при роботі електричного інструменту, можуть запалити пил, пари і гази.
- c. **Забороняється перебування дітей та сторонніх осіб поблизу працюючого електричного інструменту.** Відволікаючі фактори можуть призвести до втрати контролю за роботою інструменту.

2. Електрична безпека

- a. **Вилка шнура електричного інструменту повинна відповідати мережевій розетці.** Забороняється вносити які-небудь зміни у вилку електричного шнура. Забороняється використання будь-яких штепсельних перехідників при роботі заземленого електричного інструменту.

Відсутність змін у вилках електричних шнурів та відповідність електричних вилок і розеток знижує ризик ураження електричним струмом.

- b. **Не допускайте контакту тіла із заземленими поверхнями таких об'єктів, як труби, радіатори, електроплити та холодильники.** Якщо ваше тіло заземлене, ризик його ураження електричним струмом підвищується.
 - c. **Електричні інструменти не повинні піддаватися впливу дощу та знаходитися в умовах підвищеної вологості.** При попаданні вологи всередину електричного інструменту підвищується ризик ураження електричним струмом.
 - d. **Забороняється використовувати електричний шнур не за призначенням.** Ніколи не беріть, не тягніть та не виймайте електричний інструмент за шнур. Електричний шнур не повинен знаходитися поблизу джерел тепла, масла, гострих країв та рухомих деталей. Пошкоджені та закручені електричні шнури підвищують ризик ураження електричним струмом.
 - e. **При роботі електричного інструменту на відкритому повітрі використовуйте відповідний з'єднувач.** Використання подовжувача, призначеного для роботи на відкритому повітрі, знижує ризик ураження електричним струмом.
 - f. **Якщо роботи за допомогою електричного інструменту всередині вологого приміщення повинні бути виконані обов'язково, в такому випадку необхідно використовувати пристрій захисного відключення (ПЗВ) електричної мережі.** Використання ПЗВ знижує ризик ураження електричним струмом.
- ### 3. Безпека персоналу
- a. **При роботі з електричним інструментом необхідно бути обачним, бачити виконувану роботу та керуватися здоровим глуздом.** Забороняється працювати з електричним інструментом у стані втоми та під впливом наркотиків, алкоголю і лікарських препаратів. Ослаблення уваги навіть на мить може призвести до серйозної травми.
 - b. **Використовуйте засоби індивідуального захисту.** Завжди надягайте засоби захисту очей. Використовувані у відповідних умовах засоби індивідуального захисту, такі як пилезахисна маска, не ковзаюче захисне взуття, захисна каска або засоби захисту органів слуху завжди знижують ризик травмування.

- c. Не допускайте ненавмисного вмикання інструменту. Перед тим, як підключити джерело живлення або акумулятор, піднімаючи або несучи інструмент, перевірте, щоб його вимикач знаходився у вимкненому положенні. Перенесення інструменту пальцем, розташованому на його вимикачі, або увімкненого інструменту підвищує ризик нещасного випадку.
- d. Перед включенням інструменту завжди знімайте з нього регульовальний та гайковий ключ. Залишений ключ на деталі інструменту, що обертається, може призвести до травмування.
- e. Не прикладайте до інструменту надмірне зусилля під час роботи. Завжди міцно тримайтеся на ногах та зберігайте рівновагу під час роботи. Це дозволяє краще контролювати електричний інструмент в непередбачених ситуаціях.
- f. Одягайте відповідний одяг. Забороняється одягати вільний одяг та прикраси. Волосся, одяг та рукавиці повинні знаходитися на відстані від рухомих деталей інструменту. Вільний одяг, прикраси або довге волосся можуть бути захоплені рухомими деталями.
- g. Якщо встановлені пристрої підключення засобів пиловловлювання та пилозбірників, необхідно перевіряти, щоб вони були підключені та використовувалися належним чином. Використання засобів пиловловлювання знижує рівень ризику, пов'язаного з наявністю пилу в повітрі.
4. Використання та догляд за електричним інструментом
- a. Не застосовуйте надмірне зусилля до електричного інструменту. Використовуйте електричний інструмент, відповідний виконуваному завданню. При використанні належного інструменту ви виконаєте роботу краще, з меншим ризиком та зі швидкістю, на яку розрахований ваш інструмент.
- b. Забороняється використовувати інструмент, якщо його вимикач не вмикається і не вимикається. Будь-який електричний інструмент, роботою якого не можна керувати за допомогою його вимикача, являє собою небезпеку та підлягає обов'язковому ремонту.
- c. Перед виконанням регулювання електричного інструменту, заміною його приладдя і постановкою на зберігання необхідно вийняти вилку його електричного шнура з розетки та/або дістати з нього акумулятор. Така превентивна міра безпеки знижує ризик випадкового увімкнення інструменту.
- d. Зберігайте електричний інструмент, який в даний момент не використовується, в недоступному для дітей місці та не дозволяйте працювати з інструментом особам, які не знайомі з ним або з цими вказівками. Електричний інструмент є небезпечним в руках ненавченої людини.
- e. Підтримуйте інструмент в робочому стані. Перевіряйте центровку та з'єднання рухомих деталей, наявність пошкоджених деталей та будь-які фактори, які можуть негативно позначитися на роботі електричного інструменту. У разі виявлення пошкодження електричний інструмент необхідно відремонтувати. Багато нещасних випадків відбувається внаслідок того, що інструмент знаходиться в неналежному стані.
- f. Ріжучі інструменти повинні бути гостро заточеними і чистими. Підтримуваний в належному робочому стані ріжучий інструмент з гострими ріжучими крайками менше застряє та легше управляється.
- g. Використовуйте електричний інструмент, приладдя, вставні різці та ін. відповідно до даних вказівок, враховуючи умови експлуатації та роботу, яка повинна бути виконана. Використання електричного інструменту з метою, відмінною від передбаченого призначення, може призвести до небезпечної ситуації.
5. Використання та догляд за акумуляторною батареєю
- a. Зарядка акумуляторної батареї повинна виконуватися тільки за допомогою того зарядного пристрою, який вказав виробник акумуляторної батареї. Якщо зарядний пристрій, який підходить для одного типу акумулятора, використовувати для зарядки акумулятора іншого типу, це може призвести до виникнення пожежонебезпечної ситуації.
- b. Використовуйте електричний інструмент тільки з конкретні зазначеними акумуляторними батареями. Використання будь-яких інших акумуляторних батарей підвищує ризик травмування та виникнення пожежонебезпечної ситуації.
- c. Якщо акумуляторна батарея не використовується, вона повинна зберігатися окремо від металевих предметів, таких як канцелярські скріпки, монети, ключі, цвяхи, шурупи та інші невеликі металеві предмети, які можуть замкрити клеми батареї. Коротке замикання акумулятора може призвести до їх вигорання або загоряння акумулятора.

d. В умовах неправильної експлуатації рідкий електроліт може бути викинутий з акумуляторної батареї, тому слід остерігатися контакту з електролітом. Якщо стався випадковий контакт з рідким електролітом, промийте це місце водою. Якщо рідина потрапила в очі, необхідно також звернутися за медичною допомогою. Контакт з рідиною, викинутою з акумуляторної батареї, може призвести до подразнення або опіків.

6. Обслуговування

a. Обслуговувати електричний інструмент повинен тільки кваліфікований ремонтний персонал, і при цьому повинні використовуватися тільки оригінальні запасні деталі. Завдяки цьому буде підтримуватися безпечний робочий стан електричного інструменту.

Додаткові вказівки щодо безпечної роботи з електричним інструментом



Увага! Додаткові вказівки щодо безпечної роботи з дрелями та ударними дрелями

- При роботі з ударними дрелями **надягайте засоби захисту органів слуху**. Вплив шуму може призвести до порушення слуху.
- Використовуйте допоміжні рукавки, які **поставляються разом з інструментом**. Втрата управління інструментом може призвести до травмування.
- Під час виконання робіт, коли **ріжуча деталь електричного інструменту може стикатися з прихованою електропроводкою, інструмент необхідно тримати за діелектричну поверхню**. При контакті ріжучої деталі з проводом, що під напругою, під напругу можуть потрапити металеві деталі електричного інструменту, внаслідок чого виникає небезпека ураження оператора електричним струмом.
- Під час виконання робіт, коли **кріпильна деталь електричного інструменту може стикатися з прихованою електропроводкою, інструмент необхідно тримати за діелектричну поверхню**. При контакті кріпильної деталі з проводом, що під напругою, під напругу можуть потрапити металеві деталі електричного інструменту, внаслідок чого виникає небезпека ураження оператора електричним струмом.
- Для фіксації положення оброблюваної деталі на **стійкій основі використовуйте затискачі або інший зручний і практичний спосіб**. Якщо тримати

деталь руками або притискати її до тіла, вона буде перебувати в незакріпленому положенні, що може призвести до втрати контролю за роботою інструменту.

- Перед виконанням свердління стін, підлог і стель перевіряйте розташування електропроводки і труб.
- Не торкайтеся наконечника свердла дрилі після свердління, оскільки він може бути гарячим.
- Цей інструмент не призначений для використання особами (включаючи дітей) з обмеженими фізичними, сенсорними або розумовими здібностями або особами, у яких відсутній необхідний досвід і знання, крім випадків, коли вони знаходяться під наглядом і отримали належні інструкції по роботі з інструментом від особи, відповідальної за їхню безпеку. Щоб діти не гралися з інструментом, вони повинні знаходитися під наглядом.
- Призначення інструменту описане в цій інструкції з експлуатації. Використання будь-якого приладдя і додаткових пристосувань разом з цим інструментом або використання інструменту в цілях, які не рекомендовані в цій інструкції, може призвести до виникнення ризику травмування персоналу та пошкодження майна.

Залишковий ризик

Додатковий залишковий ризик може виникнути у випадках використання інструменту, які можуть бути не враховані в перерахованих вказівках щодо безпечної роботи. Який ризик може виникати при неправильному використанні, тривалому використанні та ін.

Навіть при дотриманні всіх відповідних правил техніки безпеки та використанні захисних пристроїв деякий залишковий ризик все ж залишається. Він включає:

- Травми, отримані при торканні обертових і рухомих деталей.
- Травми, отримані при заміні деталей, ножів та приладдя.
- Травми, отримані внаслідок тривалого використання інструменту. При тривалому використанні інструменту необхідно робити регулярні перерви в роботі.
- Погіршення слуху;
- Шкода для здоров'я, викликана вдиханням пилу, яка з'являється під час роботи інструменту (наприклад, при роботі з деревом, особливо з дубом, буком або ДВП).

Вібрація

Рівні вібрації, зазначені в технічних даних та декларації відповідності, були виміряні у відповідності зі стандартним методом випробувань, викладеним в EN 60745, і можуть використовуватися для порівняння інструментів. Заявлений рівень вібрації може також використовуватися для попередньої оцінки їх впливу.

Увага! Рівень вібрації під час роботи електричного інструменту може відрізнятись від заявленого рівня вібрації, оскільки він залежить від конкретно виконуваної інструментом роботи. Рівень вібрації може бути нижче встановленого рівня.

При оцінці впливу вібрації для визначення заходів безпеки, необхідних 2 002/44 / ЕС для захисту осіб, які постійно працюють з електричними інструментами, необхідно враховувати реальні умови використання та спосіб використання інструменту, вмикаючи всі деталі робочого циклу, такі як час автоматичного вимкнення та холостого ходу додатково до часу запуску.

Наклейки на інструменті

До поверхні інструменту прикріплені наступні графічні зображення:



Увага! Для зменшення ризику травмування оператор повинен прочитати цю інструкцію з експлуатації.

Додаткові вказівки щодо безпечного використання акумуляторних батарей та зарядних пристроїв

Акумуляторні батареї

- Незалежно від причини, ніколи не намагайтеся розкрити акумуляторну батарею.
- Не надавайте акумулятор дії води.
- Не зберігайте акумуляторні батареї в місцях, де температура повітря може перевищувати 40°C.
- Зарядку акумуляторної батареї необхідно виконувати при температурі навколишнього повітря в межах від 10°C до 40°C.
- Зарядку акумуляторної батареї необхідно виконувати тільки за допомогою зарядного пристрою, що поставляється разом з батареєю.
- Утилізацію акумуляторних батарей необхідно проводити відповідно до вказівок, що містяться в розділі «Захист навколишнього середовища».



Не намагайтеся заряджати пошкоджені акумуляторні батареї.

Зарядні пристрої

- Використовуйте зарядний пристрій BLACK+DECKER тільки для зарядки акумуляторної батареї для інструменту, з яким вона була поставлена. При зарядці інших акумуляторних батарей може відбуватися вибух, що приводить до травмування людей і пошкодження обладнання.
- Ніколи не намагайтеся заряджати акумуляторні батареї.
- Пошкоджені електричні шнури необхідно замінювати негайно.
- Не піддавайте зарядний пристрій впливу води.
- Не відкривайте зарядний пристрій.
- Не вимірюйте характеристики зарядного пристрою електричними приладами.



Зарядний пристрій призначений тільки для використання всередині приміщення.



Перед його використанням прочитайте інструкцію з експлуатації.

Електрична безпека



Ваше зарядний пристрій має подвійну ізоляцію, і тому дріт заземлення йому не потрібен. Завжди перевіряйте, щоб мережева напруга відповідала значенню, зазначеному в таблиці з паспортними даними. Ніколи не намагайтеся замінити вилку в блоці зарядного пристрою звичайною мережевою вилкою.

- У разі пошкодження кабелю живлення, щоб уникнути виникнення небезпечних ситуацій, його заміну повинен виконати виробник обладнання або уповноважений сервісний центр BLACK+DECKER.

Функції

Цей інструмент може володіти всіма або деякими з перерахованих нижче функцій.

- Перемикач кількості обертів
- Рухомий перемикач прямого/зворотного напрямку обертання
- Перемикач режиму дрилі
- Перемикач режиму шуруповерта

5. Індикатор рівня заряду акумуляторної батареї
6. Затискний патрон з одною втулкою
7. Тримач свердла
8. Світлодіодний індикатор роботи

Рис. А

9. Акумуляторна батарея
10. Зарядний пристрій
11. Індикатор зарядного пристрою

Збірка

Увага! Перед виконанням збірки дістаньте акумулятор з інструменту.

Установка і видалення акумуляторної батареї (Рис. В)

- Щоб поставити акумуляторну батарею (9), вирівняйте її по прийомному гнізду інструмента. Введіть акумулятор в гніздо і натисніть, щоб заклацнувся на своєму місці.
- Щоб дістати акумуляторну батарею, натисніть кнопку розблокування (12), одночасно виймаючи акумулятор з приймального гнізда.

Установка і видалення свердла дрилі і наконечника шурупверта.

Цей інструмент оснащений безключевим патроном, що дозволяє легко міняти свердла.

- Заблокуйте інструмент, встановивши рухливий перемикач прямого/зворотного напрямку обертання (2) в центральне положення.
- Поверніть навколо осі затискний патрон з однією втулкою (6), щоб розкрити його.
- Вставте хвостовик свердла в патрон і щільно закрутіть патрон.

Цей інструмент поставляється з шурупверта в тримачі (7).

- Щоб дістати наконечник шурупверта з тримача, висуньте його вгору з паза.
- Щоб вставити наконечник шурупверта, щільно натисніть на нього і введіть у тримач.

Увага! Не намагайтеся затискати свердла дрилі (або інше приладдя), тримаючи однією рукою патрон з однією

втулкою і повертаючи інструмент іншою рукою. При заміні приладдя може відбутися пошкодження патрона і травмування персоналу.

Робота інструмента

Увага! Дайте можливість інструменту працювати з природною швидкістю. Не перевантажуйте його.

Увага! Перед виконанням свердління стін, підлог і стель перевіряйте розташування електропроводки і труб.

Зарядка акумуляторної батареї (Рис. А)

Зарядка акумуляторної батареї повинна бути виконана перед її першим використанням і кожен раз, коли вона не в змозі забезпечувати потужність, необхідну для виконання роботи, хоча перед цим робота була виконана легко. Під час зарядки акумуляторна батарея може нагріватися; це нормально і не означає наявності проблеми.

Увага! Забороняється заряджати акумуляторну батарею при температурах повітря нижче 10°C і вище 40°C. Рекомендована температура повітря для зарядки становить близько 24°C.

Примітка: зарядний пристрій не буде заряджати акумуляторну батарею, якщо температура її елемента лежить приблизно нижче 10°C або вище 40°C. Акумулятор треба залишити в зарядному пристрої, яке автоматично почне виконувати зарядку, коли температура елемента увійде в зазначені межі (підніметься або опуститься).

- Щоб зарядити акумуляторну батарею (8), вставте її в зарядний пристрій (9). Акумулятор можна вставити в зарядний пристрій тільки одним способом. Не прикладайте при цьому надмірне зусилля. Перевірте, щоб акумуляторна батарея повністю стала на своє місце в зарядному пристрої.
- Вставте штепсель в розетку та увімкніть живлення.

Індикатор зарядки (10) почне блимати.

Коли зарядка буде завершена, індикатор зарядки (10) перестане блимати і почне горіти рівним світлом.

Зарядний пристрій і акумуляторну батарею можна залишати з'єднаними на необмежений час. Світлодіодний індикатор буде загорятися в тих випадках, коли зарядний пристрій буде періодично заряджати акумулятор.

- Виконуйте підзарядку розрядженої акумуляторної батареї в межах одного тижня. Якщо акумуляторну батарею зберігати в розрядженому стані, її термін служби істотно скоротиться.

Залишення акумуляторної батареї в зарядному пристрої

Зарядний пристрій і акумуляторну батарею можна залишати з'єднаними на необмежений час з палаючим світлодіодним індикатором. Зарядний пристрій буде підтримувати акумуляторну батарею в повністю зарядженому стані.

Діагностика зарядного пристрою

Якщо зарядний пристрій визначає, що акумуляторна батарея розряджена або пошкоджена, його індикатор (10) почне швидко блимати червоним світлом. У такому випадку виконайте такі дії:

- повторно вставте акумулятор (8) в зарядний пристрій;
- якщо індикатор зарядки продовжує швидко блимати червоним світлом, візьміть іншу акумуляторну батарею для визначення правильності виконання процесу зарядки;
- якщо новий акумулятор заряджається нормально, в такому випадку перший акумулятор вийшов з ладу, і його необхідно відправити у сервісний центр для утилізації;
- якщо ж у разі нового акумулятора індикатор зарядки буде блимати так само, як і при першому акумуляторі, у такому разі надішліть зарядний пристрій до авторизованого сервісного центру для тестування.

Примітка: для визначення пошкодженого стану акумуляторної батареї знадобиться близько 30 хвилин. Якщо акумуляторна батарея буде дуже гарячою або дуже холодною, світлодіодний індикатор буде по черзі блимати червоним світлом коротким і довгим спалахом.

Вибір напрямку обертання (Рис. С)

Для свердління та закручування шурупів використовуйте прямий (за годинниковою стрілкою) напрямок обертання. Для викручування шурупів і видалення застряглого свердла дрилі використовуйте зворотний (проти годинникової стрілки) напрямок обертання.

- Щоб вибрати прямий напрямок обертання, перемістіть рухливий перемикач прямого/зворотного напрямку обертання (2) ліво.
- Щоб вибрати зворотний напрямок обертання, перемістіть рухливий перемикач прямого/зворотного напрямку обертання вправо.

- Щоб заблокувати інструмент, встановіть рухливий перемикач прямого/зворотного напрямку обертання в центральне положення.

Вмикання та вимикання

- Виберіть прямий або зворотний напрямок обертання за допомогою рухомого перемикача прямого/зворотного напрямку обертання (2).
- Щоб ввімкнути інструмент, натисніть вимикач (1). Швидкість обертання інструмента залежить від того, якою мірою ви натиснули (втопили) пусковий вимикач.
- Щоб вимкнути інструмент, відпустіть пусковий вимикач.

Технологія Autoselect™ (Рис. D)

- Для свердління дерева, металів і пластмас натисніть кнопку вибору режиму дрилі (3).
- Для закручування шурупів натисніть кнопку вибору режиму шурупверта (4).

Технологія Autosense™

У режимі шурупверта цей інструмент оснащений технологією Autosense™, яка дозволяє закручувати гвинти точно і без зусиль.

- Виберіть режим шурупверта і перевірте, щоб рухливий перемикач прямого/зворотного напрямку (2) був встановлений в лівому положенні.
- Натисніть пусковий вимикач (1) для закручування шурупа в деталь, і інструмент автоматично зупиниться після того, як шуруп повністю увійде в деталь.
- Якщо необхідно, щоб шуруп глибше увійшов в деталь, продовжуйте утримувати пусковий вимикач. Через мить шурупверт почне обертатися, щоб закрутити шуруп на необхідну глибину з більш контрольованою швидкістю.
- Після досягнення необхідної глибини відпустіть пусковий вимикач.

Примітка: якщо шуруп зупинився на півдорозі, відпустіть пусковий вимикач (1) і потім знову натисніть його, щоб повторно ввімкнути шурупверт.

Індикатор рівня заряду акумуляторної батареї (Рис. D)

Інструмент обладнаний індикатором рівня заряду акумуляторної батареї. Він може використовуватися для відображення поточного рівня заряду в акумуляторі під час роботи.

- Для відображення поточного рівня заряду натисніть кнопку вибору режиму дрилі (3) або кнопку вибору режиму шурупверта (4).

Світлодіодний індикатор роботи

Світлодіодний індикатор роботи (8) автоматично загоряється при натисканні пускового вимикача. Він буде горіти, коли пусковий вимикач буде частково натиснутий перед тим, як інструмент почне працювати.

Поради для ефективного використання інструменту

Свердління

- Завжди прикладайте невелике зусилля вздовж осі обертання свердла.
- Перед тим, як свердло пройде через зворотну сторону деталі, необхідно зменшити тиск на інструмент.
- Для підтримки деталей, які можуть розколотися використовуйте дерев'яні бруски.
- Для висвердлювання в дереві отворів великого діаметру використовуйте перові свердла.
- Для свердління металу використовуйте свердла з високоміцної сталі.
- Для свердління металів, крім чавуну і латуні, використовуйте мастило.
- Для збільшення точності в центрі отвору, який буде висвердлено, накерніть мітку кернером.

Закручування шурупів

- Завжди використовуйте наконечник шурупверта належного типу і розміру.
- Якщо шуруп закручується туго, спробуйте використовувати в якості мастила трохи промивної рідини або мила.
- Інструмент і наконечник завжди повинні знаходитися на одній осі з шурупом.

Технічне обслуговування

Конструкція вашого інструмента BLACK+DECKER розрахована на роботу протягом тривалого періоду часу при мінімальному технічному обслуговуванні. Тривала задовільна робота інструменту забезпечується належним доглядом та регулярним очищенням.

Крім періодичної очистки, ваш зарядний пристрій не вимагає інших операцій технічного обслуговування.

Увага! Перед виконанням будь-яких дій з технічного обслуговування інструменту, дістаньте з нього акумуляторну батарею. Перед проведенням очищення зарядного пристрою вийміть його штепсельну вилку з розетки.

- Регулярно очищуйте вентиляційні прорізи в інструменті і зарядному пристрої за допомогою м'якої щітки або сухої тканини.
- Регулярно очищуйте корпус двигуна за допомогою вологої тканини. Не використовуйте для очищення абразивні матеріали та чистячі засоби на основі неводних розчинників.
- Регулярно розкривайте і вибивайте затиснений патрон для видалення пилу з його внутрішньої частини.

Акумуляторні батареї

Коли акумуляторна батарея повністю виробить свій ресурс, дістаньте її з інструменту.

- NiCd, NiMH і літій-іонні акумуляторні батареї придатні для вторинної переробки. Відправте їх будь-якому уповноваженому представнику з ремонту або в місцевий центр із вторинної переробки.

Технічні дані

ASD18 (Тип.1)		
Напруга	$V_{\text{ПОСТ. СТРУМУ}}$	18
Швидкість холостого ходу	хв^{-1}	0-800
Макс. момент обертання (номінальний РТИ)	Нм	16/28
Найбільший діаметр свердла в патроні	мм	10
Найбільший діаметр свердління		
Сталь/дерево	мм	10/25

Зарядний пристрій 905998** (тип 1)		
Вхідна напруга	$V_{\text{ПЕР. СТРУМУ}}$	230
Вихідна напруга	$V_{\text{ПОСТ. СТРУМУ}}$	18
Струм	мА	1000
Приблизний час зарядки	г	1,5

Акумуляторна батарея		BL1118	BL1318	BL1518
Напруга	Впост. струму	18	18	18
Ємність	Аг	1,1	1,3	1,5
Тип		літій -іонна	літій -іонна	літій -іонна

Рівень звукового тиску згідно EN 60745:Звуковий тиск (L_{pA}) 67,1 дБ(А), розкид (К) 3 дБ(А)Звуковий тиск (L_{pA}) 78,1 дБ(А), розкид (К) 3 дБ(А)**Сумарні рівні вібрації (сума векторів по тим осях) згідно EN 60745:**Свердління металу ($a_{h,D}$) $< 2,5 \text{ м/с}^2$, розкид (К) $1,5 \text{ м/с}^2$ Закручування шурупа без ударного впливу ($a_{h,D}$) $< 2,5 \text{ м/с}^2$, розкид (К) $1,5 \text{ м/с}^2$ **Декларація відповідності ЄС**
ДИРЕКТИВА ПО МАШИННОМУ ОБЛАДНАННЮ

BLACK+DECKER заявляє, що вироби, описані в «технічних даних», відповідають: 2006/42/EC, EN 60745-1, EN 60745-2-1

Дані вироби також відповідають Директивам 2004/108/EC та 2011/65/EU. Для отримання більш детальної інформації зв'яжіться з компанією BLACK+DECKER за адресою, яка вказана нижче або на зворотній стороні інструкції.

Нижчепідписаний є відповідальним за складання технічної документації та підписує цю декларацію від імені компанії BLACK+DECKER.

Kevin Hewitt

Віце-президент Global Engineering
BLACK+DECKER Europe, 210 Bath Road, Slough,
Berkshire, SL1 3YD United Kingdom
11,2015

Захист навколишнього середовища



Роздільний збір відходів. Забороняється утилізувати цей продукт разом зі звичайними побутовими відходами.

Якщо ви вирішите, що ваш виріб BLACK+DECKER необхідно замінити, або якщо ви не будете його більше використовувати, не утилізуйте його разом з побутовими відходами. Цей продукт підлягає роздільному збору відходів.



Роздільний збір використаних продуктів та пакувальних матеріалів дозволяє здійснювати їх вторинну переробку з подальшим повторним використанням. Повторне використання матеріалів, що пройшли вторинну переробку, знижує забруднення навколишнього середовища та зменшує потребу в сировинних матеріалах.

Нормативні акти місцевих органів влади можуть передбачати збір використаних електричних виробів окремо від побутових відходів, в муніципальних пунктах збору відходів або в магазині при покупці нового обладнання.

BLACK+DECKER представляє можливість для збору та повторної переробки продуктів BLACK+DECKER після закінчення терміну їх служби. Щоб скористатися перевагою цього сервісу, будь ласка, надішліть ваш продукт будь-якому уповноваженому представнику з ремонту, який збирає такі вироби від нашого імені.

Ви можете дізнатися адресу вашого найближчого уповноваженого представника з ремонту, зателефонувавши в регіональне представництво BLACK+DECKER, вказане в цій інструкції. Крім того, список уповноважених представників з ремонту BLACK+DECKER, детальну інформацію про обслуговування після продажу та контактні дані можна знайти на сайті www.2helpU.com.

Гарантійні зобов'язання

Black + Decker впевнена в якості своїх виробів та надає виняткову гарантію. Дана заява про гарантії доповнює і ні в якій мірі не порушує ваші законні права.

Якщо продукт виробництва Black + Decker прийде в непридатність внаслідок неякісних матеріалів, неякісного виготовлення або невідповідності вимогам, BLACK+DECKER гарантує в межах 24-х місяців з дати продажу виконувати заміну дефектних деталей, виконувати ремонт виробів, які зазнали природного зносу, або виконувати заміну таких виробів, для зведення до мінімуму незручностей для покупця, за винятком перерахованих нижче випадків:

- Даний продукт був використаний для продажу, на промислових роботах або здавався на прокат.
- Даний продукт використовувався неправильно або без належного догляду.
- Даному продукту було завдано збитків сторонніми предметами, речовинами або внаслідок надзвичайної події.
- Була здійснена спроба ремонту продукту особами, які не є уповноваженими представниками з ремонту або ремонтно-обслуговуючим персоналом Black + Decker.

Щоб заявити претензію по гарантії, необхідно буде надати підтвердження покупки продавцю або уповноваженому представнику з ремонту. Ви можете дізнатися адресу вашого найближчого уповноваженого представника з ремонту, зателефонувавши в регіональне представництво BLACK+DECKER, вказане в цій інструкції. Крім того, список уповноважених представників з ремонту BLACK+DECKER, детальну інформацію про обслуговування після продажу та контактні дані можна знайти на сайті www.2helpU.com.



Гарантійні умови

Шановний покупець!

1. Вітаємо Вас з покупкою високоякісного виробу BLACK + DECKER і висловлюємо вдячність за Ваш вибір.
2. При покупці виробу вимагайте перевірки його комплекtnості і справності у Вашій присутності, інструкцію з експлуатації та заповнений гарантійний талон українською мовою
В гарантійному талоні повинні бути внесені: модель, дата продажу, серійний номер, дата виробництва інструменту; назва, печатка і підпис торговельної організації. За відсутності у Вас правильно заповненого гарантійного талону, а також при невідповідності зазначених у ньому даних ми будемо змушені відхилити Ваші претензії щодо якості даного виробу.
3. Щоб уникнути непорозуміння, переконливо просимо Вас перед початком роботи з виробом уважно ознайомитися з інструкцією з його експлуатації. Правовою основою справжніх гарантійних умов є чинне Законодавство. Гарантійний термін на даний виріб складає 24 місяці і обчислюється з дня продажу. У разі усунення недоліків виробу, гарантійний строк продовжується на період його перебування в ремонті. Термін служби виробу становить 5 років з дня продажу.
4. У разі виникнення будь-яких проблем у процесі експлуатації виробу рекомендуємо Вам звертатися тільки в уповноважені сервісні центри BLACK + DECKER, адреси та телефони яких Ви зможете знайти в гарантійному талоні, на сайті www.2helpU.com або дізнатися в магазині. Наші сервісні станції - це не тільки кваліфікований ремонт, але і широкий асортимент запчастин і аксесуарів.
5. Виробник рекомендує проводити періодичну перевірку і технічне обслуговування виробу в уповноважених сервісних центрах.
6. Наші гарантійні зобов'язання поширюються тільки на несправності, виявлені протягом гарантійного терміну і викликані дефектами виробництва та \ або матеріалів.
7. Гарантійні умови не поширюються на несправності виробу, що виникли в результаті:
- 7.1 Недотримання користувачем приписів інструкції з експлуатації виробу, застосування виробу не за призначенням, неправильного зберігання, використання приладдя, витратних матеріалів і запчастин, що не передбачені виробником.

- 7.2 Механічного пошкодження (відколи, тріщини і руйнування) внутрішніх і зовнішніх деталей виробу, основних і допоміжних рукояток, мережевого кабелю, що викликані зовнішнім ударним або будь-яким іншим впливом
- 7.3 Потрапляння у вентиляційні отвори та проникнення всередину виробу сторонніх предметів, матеріалів або речовин, що не є відходами, які супроводжують застосування виробу за призначенням, такими як: стружка, тирса, пісок, та ін.
- 7.4 Впливу на виріб несприятливих атмосферних і інших зовнішніх факторів, таких як дощ, сніг, підвищена вологість, нагрівання, агресивні середовища, невідповідність параметрів електромережі, що зазначені на інструменті.
- 7.5 Стихійного лиха. Пошкодження або втрати виробу, що пов'язані з непередбаченими лихами, стихійними явищами, у тому числі внаслідок дії непереборної сили (пожежа, блискавка, потоп і інші природні явища), а також внаслідок перепадів напруги в електромережі та іншими причинами, які знаходяться поза контролем виробника.
8. Гарантійні умови не поширюються:
- 8.1. На інструменти, що піддавалися розкриттю, ремонту або модифікації поза уповноваженим сервісним центром.
- 8.2. На деталі, вузли та матеріали, що мають сліди природного зносу, такі як: приводні ремені і колеса, вугільні щітки, мастило, підшипники, зубчасті зчеплення редукторів, гумові ущільнення, сальники, направляючі ролики, муфти, вимикачі, бойки, штовхачі, стволи тощо.
- 8.3. На змінні частини: патрони, цанги, затискові гайки і фланці, фільтри, акумуляторні батареї, ножи, шліфувальні підшошви, ланцюги, зірочки, пильні шини, захисні кожухи, пилки, абразиви, пильні і абразивні диски, фрези, свердла, бури тощо
- 8.4. На несправності, що виникли в результаті перевантаження інструменту (як механічного, так і електричного), що спричинили вихід з ладу одночасно двох і більше деталей і вузлів, таких як: ротора і статора, обох обмоток статора, веденої і ведучої шестерень редуктора або інших вузлів і деталей. До безумовних ознак перевантаження виробу відносяться, крім інших: поява кольорів мінливості, деформація або оплавлення деталей і вузлів виробу, потемніння або обуглювання ізоляції проводів електродвигуна під впливом високої температури.



Виробник:

"Stanley BLACK+DECKER Deutschland GmbH" Black-&-Decker Str.40, D-65510 Idstein, Німеччина

حماية البيئة



تجميع منفصل. يجب عدم إلقاء هذا المنتج مع المخلفات المنزلية.

الضمان

تثق بلاك أند ديكر بجودة منتجاتها وتقدم ضماناً مميزاً. ويكون بيان الضمان هذا بالإضافة ولا يخل بأي حال من الأحوال بالحقوق القانونية.

إذا أصبح منتج بلاك أند ديكر معيباً بسبب عيوب المواد والصناعة وعدم المطابقة، تضمن بلاك أند ديكر في غضون ٢٤ شهراً من تاريخ الشراء استبدال الأجزاء المعيبة وإصلاح المنتجات مع مراعاة البلي باستخدام العادي أو استبدال هذه المنتجات للتأكد من رضا العملاء ما لم:

- تم استخدام المنتج لأغراض تجارية أو مهنية أو للتأجير.
- إهمال أو إساءة استخدام المنتج.
- تعرض المنتج لتلف بسبب مواد أو أغراض غريبة أو الحوادث.
- محاولة إجراء عمليات الإصلاح من قبل الأشخاص الآخرين بخلاف وكلاء الإصلاح المصرح بهم أو فريق الخدمة التابع لبلاك أند ديكر.

المطلوبة بالضمان، يجب تقديم إثبات الشراء للبائع أو وكيل البيع المعتمد. ويمكنك معرفة مكان أقرب وكيل إصلاح معتمد بمراجعة مكتب بلاك أند ديكر المحلي في العنوان المشار إليه في الدليل. كما تتوفر قائمة بوكلاء الإصلاح المعتمدين لدى بلاك أند ديكر وبيانات خدمات ما بعد البيع والاتصال على الموقع الإلكتروني: www.2helpU.com

إذا تبين لك في أحد الأيام بأنه يجب تبديل جهاز بلاك أند ديكر الخاص بك أو لم تعد بحاجة لاستخدامه. لا تتخلص منه مع المخلفات المنزلية. وقم بتوفير هذا المنتج للتجميع المنفصل.



يمكن التجميع المنفصل للمنتجات والعبوات المستخدمة من إعادة تدوير المواد واستخدامها مرة أخرى، إذ يساعد إعادة استخدام المواد المعاد تدويرها على منع التلوث البيئي وخفض الطلب على المواد الخام

قد تنص التشريعات المحلية على تجميع منفصل للمنتجات الكهربائية عن المخلفات المنزلية في مواقع مخلفات البلدية أو تاجر التجزئة عند شراء منتج جديد.

توفر بلاك أند ديكر منشأة لتجميع وإعادة تدوير منتجات بلاك أند ديكر عند وصول تلك المنتجات لنهاية عمرها النافع. وللاستفادة من هذه الخدمة، يرجى إعادة المنتج إلى أي وكيل إصلاح معتمد الذي سيقوم بتجميع المنتجات نيابة عنا.

يمكنك معرفة مكان أقرب وكيل إصلاح معتمد بمراجعة مكتب بلاك أند ديكر المحلي في العنوان المشار إليه في الدليل. كما تتوفر قائمة بوكلاء الإصلاح المعتمدين لدى بلاك أند ديكر وبيانات خدمات ما بعد البيع والاتصال على الموقع الإلكتروني: www.2helpU.com

مستوى ضغط الصوت وفقاً للمواصفة EN 60745:

ضغط الصوت (LpA) ٦٧,١ ديسيبل (A). الشك (K) ٣ ديسيبل (A) طاقة الصوت (LWA) ٧٨,١ ديسيبل (A). الشك (K) ٣ ديسيبل (A)

إجمالي قيم الاهتزاز وفقاً للمواصفة EN 60745:

الحفر في المعدن ($a_{h(D)}$) > ٢,٥ متر/ثانية^٢. الشك (K) ١,٥ متر/ثانية^٢
الفك بدون صدم ($a_{h(D)}$) > ٢,٥ متر/ثانية^٢. الشك (K) ١,٥ متر/ثانية^٢

بيان توافق المجموعة الأوروبية

مواصفة الماكينات



شركة BLACK+DECKER تقر فيما يلي على أن هذه المنتجات الموضحة أسفل بند "البيانات الفنية" متوافقة مع المواصفات: EN 60745-2-1 و EN 60745-1 و EC/2006/42

هذه المنتجات تتوافق أيضاً مع المواصفة EC/2004/108 و EU/2011/65. للحصول على مزيد من المعلومات فبرجى الاتصال بشركة BLACK+DECKER على العنوان التالي أو الرجوع إلى ظهر الدليل.

الموقع أدناه مسئول عن الإيفاء بإتمام الملف الفني وإخراج هذا الإقرار بالنيابة عن شركة BLACK+DECKER.

K. Hewitt

كيفن هيويت

نائب رئيس شركة BLACK+DECKER الهندسية العالمية في أوروبا، 210 طريق باث، سلو، بيركشاير، SL1 3YD المملكة المتحدة 11.2015

شاحنك لا يتطلب أية صيانة سوى التنظيف الدوري المستمر.

تحذيراً قبل إجراء الصيانة على الأداة احرص على خلع البطارية من الأداة. افصل الشاحن قبل تنظيفه.

- قم بتنظيف منافذ التهوية بانتظام في أدواتك ونظف الشاحن باستخدام فرشاة ناعمة أو قطعة قماش جافة.
- نظف علبة المحرك بانتظام بقطعة قماش مبللة. لا تستخدم المنظفات الكاشطة أو المذيبة.
- احرص على فتح الطرف بانتظام واخبطه لتنظيفه من الغبار العالق به من الداخل.

البطاريات



حرك البطارية إلى الأسفل تماماً ثم اخلعها من الأداة.

- بطاريات كربيد النيكل أو الهيدريد المعدني أو أيونات الليثيوم قابلة لإعادة التدوير. خذها إلى أي وكيل إصلاح معتمد أو محطة إعادة تدوير محلية.

البيانات الفنية

ASD18 (Typ.1)

١٨	VDC	الجهد الكهربائي
٨٠٠-٠	Min-1	سرعة اللاحمل
٢٨/١٦	نيوتن متر	العزم الأقصى (تصنيف PTI)
١٠	ملم	سعة الطرف
		سعة الثقب القصوى
٢٥/١٠	ملم	صلب/خشب

الشاحن ××905998 (النوع 1)

٢٣٠	V _{AC}	دخل الجهد الكهربائي
١٨	V _{DC}	خرج الجهد الكهربائي
١٠٠٠	ملي أمبير	التيار
١,٥	ساعة	زمن الشحن التقريبي

البطارية BL1518 BL1318 BL1118

١٨	١٨	١٨	VDC	الجهد الكهربائي
١,٥	١,٣	١,١	أمبير ساعة	السعة
أيونات الليثيوم	أيونات الليثيوم	أيونات الليثيوم		النوع

- لاختيار وضع الدوران العكسي ادفع الزر الانزلاقي للأمام/الخلف إلى الجانب الأيمن.
- اضغط إما على زر اختيار وضع المثقاب (٣) أو زر اختيار وضع المفك (٤) لعرض حالة الشحن الحالية.

ضوء عمل LED

ضوء عمل LED (٨) يتم تفعيله أوتوماتيكيًا عند الضغط على مفتاح الإطلاق. ضوء عمل LED سوف يضيء عند الضغط جزئيًا على مفتاح الإطلاق قبل أن تبدأ الوحدة في العمل.

نقاط خاصة بالاستخدام الأمثل

الثقب

- احرص دائمًا على ممارسة ضغط خفيف في خط متواز مع رأس الثقب.
- فقط قبل أن ينفذ رأس الثقب عبر الجانب الآخر لقطعة الشغل قلل الضغط على الأداة.
- استخدم قطعة خشبية لتدعيم قطع الشغل التي يمكن أن تنشق.
- استخدم الرؤوس المجرفة عند القيام بالثقب لعمل فجوات كبيرة القطر في الخشب.

• استخدم رؤوس المثقاب HSS عند الثقب في المعادن.

• استخدم مادة تشحيم عند القيام بثقب أنواع معادن أخرى غير حديد الزهر والنحاس.

• قم بعمل تلميم باستخدام خرامة مركزية في وسط الحفرة المراد ثقبها لتحسين درجة الدقة.

إدارة البراغي

- احرص دائمًا على استخدام النوع والمقاس الصحيحين لرأس المفك.
- إذا كان من الصعب إحكام ربط البراغي فحاول إضافة كمية قليلة من سائل الغسل أو الصابون كمشحم.
- احرص دائمًا على الإمساك برأس الأداة والمفك في خط مستقيم مع البرغي.

الصيانة

تم تصميم أداة BLACK+DECKER لكي تعمر لفترة طويلة بأقل قدر من الحاجة للصيانة. ويعتمد استمرار الجهاز في أداء عمله على النحو المرضي على العناية المناسبة والتنظيف المنتظم.

- لغلغ الأداة اضبط وضع الزر الانزلاقي للأمام/الخلف إلى المركزي.
- لاختيار وضع الدوران العكسي ادفع الزر الانزلاقي للأمام/الخلف إلى الجانب الأيمن.

التشغيل والإطفاء

• اختر وضع التدوير للأمام أو الخلف باستخدام الزر الانزلاقي للأمام/الخلف (٢).

• لتشغيل الأداة اضبط على المفتاح (١). سرعة الأداة تعتمد على فترة الضغط على زر التفعيل.

• لغرض إطفاء الأداة حرر مفتاح التفعيل.

تقنية Autoselect™ (الشكل D)

• لغرض ثقب الخشب والمعادن والبلاستيك اضبط على زر قرص اختيار وضع الثقب (٣).

• للقيام بالفك اضبط على قرص اختيار وضع المفك (٤).

تقنية Autosense™

في وضع الفك تقوم هذه الأداة مزودة بتقنية Autosense™ بالمساعدة على ربط البراغي بدقة وبدون جهد.

• اختر وضع إدارة البراغي وتحقق من أن زر الأمام/الخلف (٢) مدفوعًا إلى اليسار.

• ادفع مفتاح التفعيل (١) لإدارة البرغي إلى داخل قطعة الشغل وسوف تتوقف الأداة أوتوماتيكيًا عند دخول البرغي في قطعة الشغل.

• إذا أردت تعميق البرغي أكثر فاستمر في الضغط على مفتاح الإطلاق. بعد دقيقة سوف يبدأ المثقاب في الدوران لتحريك البرغي إلى العمق المرغوب بسرعة يمكن التحكم فيها أكثر.

• بمجرد الوصول إلى العمق المرغوب فحرر مفتاح الإطلاق.

ملاحظة: إذا ما توقف البرغي في نصف المسافة فحرر مفتاح الإطلاق (١) ثم اضبط على مفتاح الإطلاق (١) للبدء من جديد.

حالة مؤشر الشحن (الشكل D)

الأداة مزودة بمؤشر لحالة الشحن. يمكن أن يتم استخدامه لعرض المستوى الحالي للشحن في وضع استخدام البطارية.

- افتح طرف الجلبة المفرد (٦) من خلال تدويره.
 - أدخل عمود الرأس في الظرف وأحكام ربط طرف الجلبة المفردة بشكل آمن.
 - هذه الأداة يتم توريدها مع رأس مفك في حامل الرأس (٧).
 - لخلع رأس المفك من حامل الرأس ارفع الرأس من الفجوة.
 - لغرض تخزين رأس المفك ادفعه بشكل ثابت في الحامل.
 - تحذير! لا تحاول إحكام رؤوس المثقاب (أو أية كماليات أخرى) من خلال الإمساك بظرف الجلبة المفردة وتشغيل الأداة. يمكن أن تقع أضرار بظرف الجلبة المفردة وإصابات الأفراد عند تغيير الكماليات.
- ### الاستخدام
- تحذير! اترك الأداة تعمل بسرعتها. لا تفرط في التحميل عليها.
- تحذير! قبل القيام بالحفر في الجدران أو الأرضيات أو الأسقف فتحقق من موقع الأسلاك والمواسير.
- ### تغيير البطارية (الشكل A)
- البطارية بحاجة إلى أن يتم شحنها قبل الاستخدام لأول مرة وإذا ما حدث وأيضاً عندما تعجز عن توفير الطاقة الكهربائية الكافية في المهام المطلوبة التي كان يسهل تنفيذها فيما سبق. يمكن أن تسخن البطارية عند الشحن، هذا أمر عادي ولا يشير إلى وجود مشاكل.
- تحذير! لا تشحن البطارية في درجات الحرارة المحيطة الأدنى من ١٠°م أو الأعلى من ٤٠°م. درجة حرارة الشحن الموصى بها: تقريباً ٢٤°م.
- ملاحظة: الشاحن لن يقوم بشحن البطارية إذا كانت درجة حرارة الخلية أدنى من ١٠°م أو أعلى من ٤٠°م. تقريباً. يتعين أن يتم ترك البطارية في الشاحن وسوف يبدأ الشاحن في العمل بالشحن أوتوماتيكياً عندما تزيد درجة حرارة الخلية أو تبرد.
- لشحن البطارية (٨) أدخلها في الشاحن (٩). لن يمكن تركيب البطارية في الشاحن إلا بطريقة واحدة. لا تدخلها بعنف. تحقق من أن البطارية مركبة بالكامل في الشاحن.
 - شغل الشاحن ووصله بشبكة التيار الكهربائي.
- سوف يومض عندئذ مؤشر الشحن (١٠).
- يكون الشحن قد اكتمل عندما يضيء مؤشر الشحن (١٠) باستمرار. يمكن أن يتم ترك الشاحن والبطارية موصولين. سوف تضيء لمبة LED عندما يقوم الشاحن بإعادة شحن البطارية بين حين وآخر.
 - اشحن البطاريات الفارغة في خلال أسبوع. العمر الافتراضي للبطارية يقل بشكل كبير إذا ما تم تخزينها وهي فارغة الشحنة.
- ### ترك البطارية في الشاحن
- يمكن أن يتم ترك الشاحن وعلبة البطارية موصولين بينما لمبة LED تتوهج. الشاحن سوف يحتفظ بعلبة البطارية متجددة ومشحونة بالكامل.
- ### تشخيصات الشاحن
- إذا ما اكتشف الشاحن أن البطارية ضعيفة أو متضررة فسوف يومض مؤشر الشحن (١٠) باللون الأحمر بمعدل سريع. تصرف كالتالي:
- أعد إدخال البطارية (٨).
 - إذا ما استمرت مؤشرات الشحن في الوميض باللون الأحمر بمعدل سريع فاستخدم بطارية مختلفة لتحديد ما إذا كانت عملية الشحن تعمل بشكل سليم.
 - إذا كانت البطارية المستبدلة تشحن بشكل صحيح فتكون البطارية الأصلية عندئذ تالفة ويتعين أن يتم إرجاعها إلى مركز الصيانة لإعادة تدويرها.
 - إذا كانت البطارية الجديدة تعطي نفس الإشارة للبطارية الأصلية فاحرص على أن يتم اختبار الشاحن في مركز خدمة معتمد.
- ملاحظة: يمكن أن يستغرق الأمر ٣٠ دقيقة لتحديد أن البطارية تالفة. إذا ما كانت البطارية شديدة السخونة أو البرودة فسوف تومض لمبة LED بالتناوب باللون الأحمر، بسرعة وببطء، وتومض مرة بسرعة معينة متكررة.
- ### اختيار اتجاه الدوران (الشكل C)
- لغرض الثقب وإحكام ربط البراغي استخدم خاصية الدوران للأمام (في اتجاه عقارب الساعة). لغرض تحرير البراغي أو خلع رأس الثقب المحشور استخدم خاصية الدوران العكسي (في عكس اتجاه عقارب الساعة).
- لاختيار وضع الدوران للأمام ادفع الزر الانزلاقي للأمام/الخلف (٢) إلى الجانب الأيسر.

تدابير سلامة إضافية للبطاريات والشواحن

البطاريات

التصنيع أو أي مركز خدمة معتمد من BLACK+DECKER لتجنب المخاطر.

الخصائص

تشتمل هذه الأداة على بعض أو جميع الأجزاء التالية.

١. مفتاح السرعة المتغيرة
٢. زر انزلاقي للأمام/الخلف
٣. قرص اختيار وضع الثقب
٤. قرص اختيار وضع المفك
٥. حالة مؤشر الشحن
٦. طرف جلبة مفرد
٧. حامل القطعة
٨. ضوء عمل LED

الشكل A

٩. البطارية
١٠. الشاحن
١١. مؤشر الشحن

التجميع

تحذير! قبل التجميع احرص على خلع البطارية من الأداة.

تركيب البطارية وخلعها (الشكل B)

- لغرض تركيب البطارية (٩) فقم بمحاذاتها مع العلية على الأداة. قم بتحريك البطارية إلى داخل العلية وادفعها إلى أن تثبت البطارية في موضعها.
- لخلع البطارية ادفع زر الفتح (١٢) بينما يتم في الوقت ذاته دفع البطارية إلى خارج العلية.

تركيب وخلع رأس المثقاب أو رأس المفك

هذه الأداة يتم تركيبها بطرف بدون مفتاح لإتاحة إمكانية التبديل السلس للرووس.

- أغلق الأداة من خلال تحريك الزر الانزلاقي (٢) للأمام/ الخلف وصولاً إلى الموضع المركزي.

- لا تحاول مطلقاً الفتح لأي سبب.
- لا تعرض البطارية للماء.
- لا تخزنه في مواقع يمكن أن تزيد درجة الحرارة بها عن ٤٠° م.
- لا تقم بالشحن إلا في درجات حرارة محيطية تتراوح بين ١٠° م و ٤٠° م.
- لا تقم بالشحن إلا باستخدام الشاحن المورد مع الأداة.
- عند التخلص من البطاريات فاحرص على اتباع التعليمات الموضحة في جزء "حماية البيئة".
- لا تحاول شحن البطاريات التالفة.



الشواحن

- استخدم شاحن BLACK+DECKER فقط لشحن البطارية في الأداة المورد بها. البطاريات الأخرى يمكن أن تنفجر متسببة في إلحاق إصابات شخصية وأضرار.
- لا تحاول مطلقاً شحن البطاريات غير القابلة للشحن.
- احرص على استبدال الكابلات التالفة على الفور.
- لا تعرض الشاحن للماء.
- لا تفتح الشاحن.
- لا تجرب الشاحن.

صمم هذا الشاحن للاستخدام المنزلي فقط.

احرص على قراءة دليل التعليمات قبل الاستخدام.



السلامة الكهربائية

هذا الشاحن معزول عزلاً مزدوجاً، وبالتالي لا حاجة إلى توصيل سلك أرضي. وينبغي التأكد دائماً من توافق جهد مصدر التيار الكهربائي مع الجهد الموضح على لوحة التقنين. لا تحاول مطلقاً استبدال وحدة الشاحن بقابس شبكة عادي.



- في حالة تلف سلك توصيل الكهرباء، يجب استبداله من قبل جهة

- استخدم المقابض الإضافية الموردة مع الأداة. فقدان التحكم يمكن أن يتسبب في وقوع إصابات شخصية.
- احرص على حمل أداة الطاقة الكهربائية باستخدام أسطح الإمساك المعزول عند القيام بالتشغيل في الأماكن التي يمكن أن ينشأ فيه تلامس بين كماليات التقطيع وبين الأسلاك المختلفة. كماليات التقطيع المحتوية على سلك "حي" يمكن أن تعرض الأجزاء المعدنية لأداة الطاقة الكهربائية "الحيّة" ويمكن أن يعرض المشغل لصدمة كهربائية.
- احرص على حمل أداة الطاقة الكهربائية باستخدام أسطح الإمساك المعزول عند القيام بالتشغيل في الأماكن التي يمكن أن ينشأ فيه تلامس بين المثبتات وبين الأسلاك المختلفة. المثبتات المحتوية على سلك "حي" يمكن أن تعرض الأجزاء المعدنية لأداة الطاقة الكهربائية "الحيّة" ويمكن أن يعرض المشغل لصدمة كهربائية.
- استخدم المشابك أو أية طرق عملية أخرى لغرض تأمين وتدعيم قطعة الشغل على منصة ثابتة. القيام بالعمل يدوياً أو في مقابل جسمك يجعل قطع الشغل غير مستقرة ويمكن أن يؤدي إلى فقدان التحكم.
- قبل القيام بالحفر في الجدران أو الأرضيات أو الأسقف فتتحقق من موقع الأسلاك والمواسير.
- تجنب ملامسة قمة المثقاب بعد الانتهاء من النقب، فيمكن أن يكون ملتهباً.
- هذا الجهاز غير مصمم ليستخدمه الأشخاص ذوو القدرات الجسدية والذهنية والحسية والعقلية المتدنية والخبرة والمعرفة القليلتين (بما في ذلك الأطفال) إلا في ظل الإشراف عليهم أو إعطائهم التعليمات المتعلقة باستخدام الجهاز من قبل الشخص المسؤول عن سلامتهم. يلزم الإشراف على الأطفال لضمان عدم عبثهم بالجهاز.
- يحدد دليل التعليمات هذا الاستخدام المصمم للجهاز له. استخدم أي قطع كمالية أو ملحقة غير الموجودة مع الجهاز أو استخدام الجهاز في غرض غير المنصوص عليه في هذا الدليل قد يشكل خطراً أو يؤدي إلى حدوث إصابة و/أو أية أضرار.

المخاطر الأخرى

عند استخدام الأداة يمكن أن تظهر مخاطر أخرى إضافية قد لا تكون

- مدرجة في تحذيرات السلامة المذكورة. هذه المخاطر يمكن أن تنشأ عن سوء الاستخدام أو الاستخدام المطول وما إلى ذلك.
- حتى مع سريان تعليمات السلامة وتطبيق تجهيزات السلامة فهناك بعض المخاطر الأخرى التي لا يمكن تجنب وقوعها. وهي تشمل:
 - إصابات تنشأ جراء ملامسة أية أجزاء دوارة/متحركة.
 - إصابات تنشأ عند تغيير أية أجزاء أو شفرات أو كماليات.
 - إصابات تنشأ جراء طول فترة استعمال الأداة. عند استعمال الأداة لفترات ممتدة فتتحقق من إيقافها بانتظام للاستراحة.
 - تضرر السمع.
 - المخاطر الصحية الناتجة عن استنشاق الغبار المتكون عند استخدام الأداة الخاصة بك (على سبيل المثال: العمل في قطع خشبية، ولا سيما البلوط والزنان وقطاعات MDF).

الاهتزاز

قيم انبعاث الاهتزازات المعلنة والمثبتة في المواصفات الفنية وإعلان التوافق تم قياسها بما يتوافق مع طرق الاختبار المعيارية وفقاً لمواصفة EN 60745، ويمكن أن يتم استخدامها لمقارنة أداة بأخرى. قيم انبعاث الاهتزازات المعلنة يمكن أن يتم استغلالها أيضاً في التقييم الأولي للتعرض للاهتزاز.

تحذير! قيمة انبعاثات الاهتزازات الصادرة أثناء الاستخدام الفعلي لأداة الطاقة الكهربائية يمكن أن تتباين عن القيمة الموضحة اعتماداً على طرق استخدام الأداة. مستوى الاهتزاز يمكن أن يزيد إلى أعلى من المستوى المثبت.

عند القيام بتقييم التعرض للاهتزاز لتحديد إجراءات السلامة الضرورية وفقاً للمواصفة EC/2002/44 الرامية لحماية الأفراد بانتظام باستخدام أدوات الطاقة الكهربائية في العمل، فيتعين أن يتم تقدير التعرض للاهتزاز مع الوضع في الحسبان الظروف الفعلية للاستخدام وطريقة استعمال الأداة، ومراعاة كل أجزاء دورة التشغيل، مثل مواقيت إطفاء الأداة وتشغيلها على الوضع المحاييد بالإضافة إلى زمن التفعيل.

الملصقات الموجودة على الأداة

الصور المصغرة التالية موجودة على الأداة:

تحذير! لغرض تقليل مخاطر الإصابات فيجب على المستخدم قراءة دليل التعليمات.



- هـ. لا تفرط في التجاوز. احرص على أن تتوفر القواعد ونسب الاتزان في كل الأوقات. ومن شأن ذلك أن يتيح إمكانية تحكم أفضل في أداة الطاقة الكهربائية في المواقف غير المتوقعة.
- و. ارتد زياً مناسباً. لا ترتد الملابس الفضفاضة أو مجوهرات. احرص على إبقاء شعرك وملابسك والقفازات بعيداً عن الأجزاء المتحركة. الملابس الفضفاضة أو المجوهرات أو الشعر الطويل يمكن أن تنحسر في الأجزاء المتحركة.
- ز. عند توفير أجهزة متعلقة بتوصيل مرافق تنقية الغبار وتجميعه فتتحقق من أنها موصلة ومستخدمة بشكل سليم. استخدام خاصية تجميع الغبار يمكن أن يقلل من المخاطر المتعلقة بالغبار.
- ح. استخدام أداة الطاقة الكهربائية والعناية بها
- أ. لا تستخدم العنف مع أداة الطاقة الكهربائية. استخدم أداة الطاقة الكهربائية الصحيحة لتطبيقك. أداة الطاقة الكهربائية الصحيحة سوف تقوم بأداء العمل بشكل أفضل وأكثر أماناً على المعدل الذي تم تصميمه لأجله.
- ب. لا تستخدم أداة الطاقة الكهربائية إذا لم يتم استخدام المفتاح لشغيلها وإطفائها. أية أداة طاقة كهربائية لا يمكن التحكم فيها باستخدام المفتاح تصبح خطرة ويجب أن يتم إصلاحها.
- ج. افصل القابس عن مصدر الطاقة الكهربائية و/أو علبه البطارية من أداة الطاقة الكهربائية قبل الشروع في إجراء أية تعديلات ضبط أو تغيير الكيماويات أو تخزين أدوات الطاقة الكهربائية. من شأن اتخاذ إجراءات السلامة الوقائية هذه أن يقلل من خطر بدء تشغيل أداة الطاقة الكهربائية فجأة.
- د. خزن أدوات الطاقة الكهربائية المتعلقة بعيداً عن متناول يد الأطفال ولا تسمح للأفراد من غير ذوي الخبرة في التعامل مع أداة الطاقة الكهربائية أو ليسوا على علم بهذه التعليمات بتشغيل أداة الطاقة الكهربائية. أدوات الطاقة الكهربائية خطيرة في أيدي المستخدمين غير المدربين.
- هـ. احرص على صيانة أدوات الطاقة الكهربائية. افحص الجهاز أيضاً للتعرف على حالات عدم انتظام أو تآكل الأجزاء المتحركة أو الأجزاء المكسورة وأية حالة يمكن أن تؤثر على تشغيل أدوات الطاقة الكهربائية. إذا ما تحققت من وجود ضرر فاحرص على إصلاح أداة الطاقة الكهربائية قبل استخدامها. تقع العديد من الحوادث جراء عدم صيانة أدوات الطاقة الكهربائية بالشكل الكافي.
- و. احرص على أن تظل أدوات القطع حادة ونظيفة. أدوات القطع التي تتم صيانتها بشكل مناسب وحواشها حادة احتمالية أن تثلم ضعيفة ويمكن التحكم فيها بشكل أسهل.
- ز. استخدم أداة الطاقة الكهربائية والكيماويات ورووس الأداة وما إلى ذلك بما يتوافق مع هذه التعليمات. مع الوضع في الاعتبار ظروف العمل والأعمال المراد تنفيذها. استخدام أداة الطاقة الكهربائية لتنفيذ العمليات في الأغراض غير المخصصة يمكن أن يتسبب في التعرض لمواقف خطيرة.
- ح. استخدام أداة البطارية والعناية بها
- أ. لا تقم بإعادة الشحن إلا باستخدام الشاحن الموصى به من الجهة الصانعة. الشاحن المناسب لنوع واحد من علب البطاريات يمكن أن يتسبب في نشوء خطر الحريق عند الاستخدام مع علب بطارية أخرى.
- ب. لا تستخدم أدوات الطاقة الكهربائية إلا مع علب البطاريات المخصصة لها. استخدام أية علب بطاريات أخرى يمكن أن يتسبب في ظهور خطر التعرض لإصابات أو وقوع حريق.
- ج. في حال عدم استخدام علب البطارية فاحفظها بعيداً عن المواد المعدنية الأخرى، مثل مشابك الأوراق والعملات المعدنية والمفاتيح والأظافر أو الأشياء المعدنية الصغيرة الأخرى التي يمكن أن تنشئ دائرة اتصال كهربائية من طرف لآخر. تقصير أطراف البطارية معاً يمكن أن يتسبب في وقوع حريق أو نشوب نار.
- د. في ظل الظروف القاسية فإن السائل يمكن أن يتسرب من البطارية. تجنب ملامسته. إذا ما حدث التلامس بشكل غير مقصود فاشطف موضع التلامس بالماء. إذا ما تلامس السائل مع العينين فاطلب المساعدة الطبية بشكل إضافي. السائل يمكن أن يتسري من البطارية متسبباً في حالات تهيج أو حروق.
- هـ. الصيانة
- أ. احرص على أن يقوم فني متخصص بإصلاح أداة الطاقة الكهربائية الخاصة بك فقط باستخدام قطع الغيار المتطابقة. ومن شأن ذلك أن يضمن سلامة صيانة أداة الطاقة الكهربائية.
- و. تحذيرات إضافية متعلقة بسلامة أداة الطاقة الكهربائية
- تحذير! تحذيرات السلامة الإضافية لأعمال الحفر والتقيب
- احرص على ارتداء واقبات الأذن عند العمل مع المثقاب. التعرض للضجيج يمكن أن يتسبب في فقدان السمع.

غرض الاستخدام

والإطارات والمبردات. يوجد خطر متزايد من التعرض لصدمة كهربائية إذا كان جسمك أصبح في وضع تأريض.

جـ. لا تعرض أدوات الطاقة الكهربائية للمطر أو ظروف الرطوبة. تسرب الماء إلى داخل أداة الطاقة الكهربائية سوف يزيد من مخاطر التعرض للصدمة الكهربائية.

المثقاب/المفك الخاص بك من شركة BLACK+DECKER تم تصميمه خصيصاً لتنفيذ تطبيقات الربط/الفك ولغرض الحفر في الخشب والمعادن والبلاستيك والأبنية الحرة. هذا الجهاز معد لاستخدام العملاء فقط.

تعليمات السلامة

تحذيرات عامة متعلقة بسلامة أداة الطاقة الكهربائية



تحذير! احرص على قراءة كل تحذيرات السلامة والتعليمات ذات الصلة. أي قصور في اتباع التحذيرات والتعليمات السلامة الموضحة أدناه يمكن أن تتسبب في التعرض لصدمة كهربائية ونشوب حريق و/أو وقوع إصابات بالغة.

احرص على ضرورة الاحتفاظ بكل التحذيرات والتعليمات ذات الصلة للاستخدام المستقبلي كمرجع. المصطلح "أداة الطاقة الكهربائية" الوارد في كل التحذيرات المدرجة أدناه يشير إلى أداة الطاقة الكهربائية المشغلة بكابيل (محزمة ثنائي الخطوط) يوصل بشبكة التيار الأساسية أو بطارية (بدون كابلات).

١. سلامة منطقة العمل

أ. احرص على أن تكون منطقة العمل نظيفة ومضاءة جيداً. فالمناطق غير المرتبة أو المظلمة تستدعي وقوع حوادث.

ب. لا تقم بتشغيل أدوات الطاقة الكهربائية في أجواء انفجارية، مثل تلك المحتوية على سوائل قابلة للاشتعال أو غازات أو غبار. أدوات الطاقة الكهربائية تسبب في وجود شرر يمكن أن يشعل الغبار أو الشعلات.

جـ. احرص على إبعاد الأطفال والمارة عن تشغيل أداة الطاقة الكهربائية. مصادر صرف الانتباه يمكن أن تجعلك تفقد القدرة على التحكم.

٢. السلامة الكهربائية

أ. يلزم توافق قوايس أداة الطاقة الكهربائية مع مصدر التيار الكهربائي. تجنب مطلقاً تعديل القابس بأية طريقة. لا تستخدم مكيف القابس مع أداة الطاقة الكهربائية المتصلة بالأرضي (مؤرض). عدم تعديل القابس واستخدام فتحات الكهرباء المناسبة يحد من مخاطر الصدمات الكهربائية.

ب. تجنب ملامسة الجسم مع أسطح مؤرضة، مثل المواسير والمشعات

د. لا تسيء استخدام السلك. لا تستخدم السلك مطلقاً لأغراض حمل أداة الطاقة الكهربائية أو سحبها أو فصلها. احرص على وضع السلك بعيداً عن الحرارة والزيوت والحواف الحادة والأجزاء المتحركة. الأسلاك المتضررة أو المتشابكة تزيد من مخاطر التعرض للصدمة الكهربائية.

هـ. عند تشغيل أداة الطاقة الكهربائية في الخارج فاستخدم سلك امتداد مناسباً للاستخدام الخارجي. استخدام سلك مناسب لأغراض الاستخدام الخارجي يقلل من مخاطر التعرض للصدمة الكهربائية.

و. إذا تعذر تجنب تشغيل أداة الطاقة الكهربائية في منطقة رطبة فاستخدم شبكة تغذية محمية بقاطع الدائرة (RCD). استخدام قاطع الدائرة يقلل من مخاطر التعرض للصدمة الكهربائية.

٣. السلامة الشخصية

أ. كن متيقظاً وراقب ما تفعل واستخدم حسك العام عند تشغيل أداة الطاقة الكهربائية. لا تستخدم أداة الطاقة الكهربائية عندما تكون مجهداً أو تحت تأثير المخدرات أو الكحوليات أو الأدوية. فحالة عدم الانتباه عند تشغيل أداة الطاقة الكهربائية يمكن أن تتسبب في وقوع إصابات شخصية بالغة.

ب. استخدم تجهيزات الحماية الشخصية الوقائية. احرص دائماً على ارتداء واقية العينين. تجهيزات الحماية، مثل قناع الغبار وأحذية السلامة غير الانزلاقية والقبعات المتينة أو واقية السمع المستخدمة لظروف مناسبة سوف تقلل من معدل التعرض لإصابات شخصية.

جـ. تجنب بدء العمل بدون قصد. تحقق من أن المفتاح في وضع الإطفاء قبل التوصيل بمصدر الطاقة الكهربائية و/أو علبة البطارية أو التقاط أو حمل الأداة. حمل أدوات الطاقة الكهربائية وأصبعك على المفتاح أو أدوات الطاقة الكهربائية المشغلة من شأنه أن يستدعي وقوع حوادث.

د. تخلص من أية مفاتيح ضبط أو ربط قبل تشغيل أداة الطاقة الكهربائية. أي مفتاح ربط أو ضبط موصل بالجزء الدوار من أداة الطاقة الكهربائية يمكن أن يتسبب في وقوع إصابات شخصية.

Names & Addresses for Black & Decker Service Concessionaries

ALGERIA: SARL Outillage Corporation, After Sale Service Center-08, Rue Mohamed Boudiaf - Cheraga, Algiers, Algeria, Tel: +213 21 375131, Fax: +213-0-369667. **AZERBAIJAN:** Kontakt - NN LLC, M.Qashqay 43, Baku, Azerbaijan Az1000. Tel: +994 12 4082050, Fax: +994 12 4117090. **BAHRAIN:** Alfouz Services Co. WLL., P.O. Box 26562, Tubli, Manama, Tel: +973-17783562/ 17879987, Fax: +973-17783479. Kewalram & Sons Co. WLL P.O. Box 84, Manama, Kingdom of Bahrain, Tel: +973-17213110/ 17210617/ 17210619, Fax: +973-17213211/ 17210627. **BANGLADESH:** Ultra Corporation, 8, Kushol Centre, Uttara, Dhaka 1230. Tel: +880-2-8922144, Fax: +880-2-8951339. **EGYPT:** Anasia - Egypt for Trading S.A.E., 9, Mostafa Refaat St., Sheraton Heliopolis Bldgs., Cairo, Egypt, P.O.Box 2443 Heliopolis 11361, Tel. : (202) 268 4159, Fax.: (202) 268 4169, www.anasia.com. **ETHIOPIA:** Seif Sherif Trade PLC -Arada Sub City, Kebele 01-02, Global Insurance Bldg., 2nd Flr. Room 43, P.O.Box 2525, Addis Ababa, Ethiopia, Tel: 00-251-11-1563968/ 1563969, Fax: 00-251-11-1558009. **INDIA:** Gryphon Appliances Ltd., D-6/4, Okhla Industrial Area, Phase-I, New Delhi-110020, Tel: +91-11-46731111, Fax: +91-11-46731111. **JORDAN:** Bashiti Hardware, 93 King Abdullah 2nd St., Opp ELBA House, P.O. Box 3005, Tel: +962-6-5349098 ext.11, Fax: +962-6-5330731. **KENYA:** Leading Concepts, P.O. Box: 40877-00100, Nairobi, Kenya. Tel: +254 20 690 5000, Fax: +254 20 690 5111. **KUWAIT:** Al Omar Technical Co., P.O. Box 4062, Safat 13041, Kuwait, Tel: 00965-24848595/ 24840039, Fax: 00965-24845652. The Sultan Centre, P.O. Box 26567-13126 Safat, Kuwait, Tel: 00965-24343155 Etn. 432, Fax: 00965-24319071. **LEBANON:** Aces Service Centre, P.O. Box 90-102, Nahr El Mot, Seaside Highway, Pharaon Building, Beirut. Tel: 00961-1-898989, Fax: 00961-1-245880. **LIBYA:** Homeworld Co., Building No.5, Senidal St., Amr Ibn Elaas Road, Benghazi, Libya. Tel: 00218-61-9094183. Service Center1 - Benghazi: Tel: +218-061-3383994, Fax: +218-092-7640688, Service Center2 - Tripoli: Tel: +218-021-3606430, Fax: +218-092-6514813. **MALTA:** John G Cassar Ltd. 36-Victory Street, Qormi QRM 06, Malta. Tel: +356-21493251, Fax: +356-21483231. **MAURITIUS:** J.M. Goupille & Co. Ltd., Rogers Industrial Park 1, Riche Terre, Mauritius, Tel: +230 206 9450 / +230 207 1700, Fax: +230 206 9474/ +230 248 3188. **MOROCCO:** UATS 26 Rue Ennarjisse, Hay Erraihan, Beausejour - Hay Hassani-Casablanca, Morocco. Tel: +212 522945114, Fax: +212 522942442. **NEPAL:** Universal Electrocom, Tripureshwor, Kathmandu, Nepal. Tel:+977-1-4265191. **NIGERIA:** Dana Electronics Ltd. (Lagos) 116/ 120, Apapa Oshodi Express Way, Isolo, Lagos, Nigeria. Tel: +234-17431818/ +234-8037767774/ +234-8057445477. (Abuja) 18, A.E. Ekukinam Street, Off Obsfemi Awolowo Road, Utako, Abuja, Nigeria. Tel: +234-8032276101/ +234-8037767774. (Kano) 9A - Mai Malari Road, Bompai, Kano, Nigeria. Tel: +234-8053294947/ +234-8037767774. **OMAN:** Oman Marketing & Service Co. (Omasco), P.O. Box 2734, Behind Honda Showroom, Wattayah, Oman, Tel: +968-24560232/ 24560255, Fax: +968-24560993. Oman Marketing & Service Co. (Omasco), Al Ohi, Sohar, Oman, Tel: +968-26846379, Fax: +968-26846379. Oman Marketing & Service Co. (Omasco) - Sanaya, Salalah, Oman, Tel: 00968-23212290, Fax: +968-23210936. **PAKISTAN:** Ammar Service & Spares - 60-Bank Arcade, Serai Road, Karachi, Pakistan, Tel: 0092-21-32426905, Fax: 0092-21-32427214. **PHILIPPINES:** 476 J. P. Rizal St., cor Kakarong St. Brgy Olympia, Makati City, Tel: +632 403-5698. **QATAR:** Al Muftah Service Centre - Al Wakrah Road, P.O. Box 875, Doha, Qatar. Tel: 00974-4650880/ 4650110/ 4446868, Fax: 00974-4441415/ 4662599. **SAUDI ARABIA: (Al Khobar)** Al-Suwaiket Catering & Trading Co., P.O.Box 4228, King A.Aziz Street, Al Khobar, Tel: +966-3-8591088, Fax: +966-3-8595648. Fawaz Ebrahim Al Zayani Trading Est. P.O. Box 76026, Al Khobar #31952, Tel: +966-3-8140914, Fax: +966-3-8140824. **(Jeddah)** Banaja Trading Co. Ltd, P.O. Box 366, Jeddah-21411, Tel: +966-2-6511111, Fax: +966-2-6503668. **(Riyadh)** Banaja Trading Co. Ltd, P.O. Box 566, Riyadh-11421, Tel: 00966-1-4124444, Fax: +966-1-4033378. **SOUTH AFRICA:** Trevco Power Tool Service 14 Steenbok Street, Koedoespoort, 0186, Pretoria, South Africa, Tel: +27-86-1873826, Fax: +27-86-5001771. **SRI LANKA:** Delmege Construction Products (Pvt) Ltd., No 101 Vinayalankara Mawatha, Colombo-10, Sri Lanka, Tel: +94-11-2693361-7, Service hotline: +94-77-2211111. **TUNISIA:** Société Tunisienne De Manutention - Rue de la Physique, Nouvelle Zone Industrielle de Ben Arous-2013 Tunisia, Tel: +216-71-386102/ 380620, Fax: +216-71380412 ext 216. **UGANDA:** Anisuma Investment and Services Ltd., J R complex, Ware House No.5, Plot No 101, 3rd Street Industrial Area, Jinja Road, Kampala, Tel: +256-414237106. **UAE: (Abu Dhabi)** Light House Electrical, P.O. Box 120, Abu Dhabi, Tel: +971-2-6726131, Fax: +971-2-6720667. **(Al Ain)** Zillion Equipment and Spare Parts Trading LLC, P.O. Box 19740, Opp. Bin Sadal/Trimix Redymix Sanaiya, Al Ain. Tel: +971-3-7216690, Fax:+971-3-7216103 **(Dubai)** Black & Decker (Overseas) GmbH, P.O. Box 5420, Dubai, Tel: +971-4-8127400/ 8127406, Fax: +971-4-2822765. **(Musaffah)** Light House Electrical, P.O. Box 120, Abu Dhabi, Tel: +971-2-5548315, Fax: +971-2-5540461. **(Sharjah)** Mc Coy Middle East LLC, P.O. Box 25793, Sharjah, Tel: +971-6-5395931, Fax: +971-6-5395932. **(Ras Al Khaimah)** Mc Coy Middle East LLC, P.O.Box 10584, Ras Al Khaimah, Tel: +971-7-2277095, Fax: +971-7-2277096. **YEMEN: (Aden)** Muala St., Tel: +967 2 222670, Fax: +967 2 222670. **(Sana'a)** Middle East Trad. Co. Ltd., P.O. Box 12363, Hayel Street, Sana'a. Tel: +967-1-204201, Fax: +967-1-204204. **(Taiz)** Middle East Trading Co. (METCO), 5th Flr. Hayel Saeed Anam Bldg, Al-Mugamma St. Taiz, Yemen, Tel: +967-4-213455, Fax: +967-4-219869.

Имена и адреса дистрибьютеров Black & Decker

Альметьевск, ООО "Смарт", 423451, ул. Тухватуллина, д.112, база Смарт, Телефон: (8553) 30-01-01, Факс: (8553) 30-00-01. **Ангарск**, ООО "ВСРТА Кемеровские заводы" 665800, ул. Рабочего Штаба, д. 87, Телефон: (3955) 77-91-02, 96-96-59, Факс: (3955) 77-91-02. **Архангельск**, ООО "Архлес-сервис", 163071, ул. Тимме, д. 23, Телефон: (8182) 27-00-49, 29-35-86, Факс: (8182) 27-00-49. **Астрахань**, ООО "Компания Инструментал", 414057, ул. Рождественского, д. 1 Ж, Телефон: (8512) 35-14-46, 35-14-46, Факс: (8512) 50-21-21. **Астрахань**, ООО "Мастер-Класс", 414014, ул. Ярославская, д. 34 А, Телефон: (960) 856-05-11. **Ачинск**, ООО "Экстрим-Центр", 662150, ул. Дзержинского, д. 36, Телефон: (39151) 6-23-22. **Барнаул**, ИП Бескишин В. П., 656010, ул. пр-т Ленина, д. 73, Телефон: (3852) 61-77-12, Факс: (3852) 61-77-12. **Барнаул**, ИП Никитин М. Д., 656067, ул. Балтийская, д. 66 А, Телефон: (3852) 45-58-47, 8 (964) 603-72-52, Факс: (3852) 45-39-85. **Белгород**, ООО "ЦентрИнструментСервис-Белгород", 308002, ул. Богдана Хмельницкого пр-т, д. 133 В, Телефон: (4722) 31-82-48, 34-61-29, Факс: (4722) 31-82-48. **Белгород**, ИП Шабанов С. И., 308024, ул. Костюкова, д. 1, Телефон: (4722) 55-86-08, Факс: (4722) 55-26-43. **Благовещенск**, ООО "Амурская электротехника", 675014, ул. Кольцевая, д. 43, Телефон: (4162) 42-30-70. **Бор**, ООО "Молоток", 606440, ул. Первомайская, д. 7 А, Телефон: (83159) 9-35-58, Факс: (83159) 9-35-58. **Брянск**, ИП Тимошин С. Н., 241035, ул. Бурова, д. 14, Телефон: (4832) 68-71-75, Факс: (4832) 68-71-75. **Брянск**, ИП Тимошин С. Н., 241037, ул. Красноармейская, д. 103, Телефон: (4832) 41-71-44, Факс: (4832) 41-71-44. **Великие Луки**, ИП Леничев Ю. Г., 182100, ул. Мурманская, д. 16, Телефон: (81153) 3-71-20, Факс: (81153) 5-14-60. **Владивосток**, ИП Барса В. А., 690105, ул. Бородинская, д. 46/50, каб. 305, Телефон: (423) 234-57-12, Факс: (423) 234-57-12, **Владикавказ**, ИП Метревели Г. В., 362003, ул. Калоева, д.400, Телефон: (8672) 24-15-73, 51-32-23 Факс: (8672) 51-32-23. **Владимир**, ИП Верстин В. Ф. 600022, ул. пр-кт Ленина, д. 44, Телефон: (4922) 38-27-90, Факс:(4922) 38-67-55. **Владимир**, ООО "ИМКом-Сервис", 600035, ул. Куйбышева, д. 4,Телефон: (4922) 37-06-05. **Волгоград**, ООО "НПФ СЛАВЯНЕ", 400074, ул. Козловская, д. 20, Телефон: (8442) 94-52-49, Факс: (8442) 94-52-49. **Волгоград**, ООО "Инструмент-Сервис", 400055, ул. Фадеева, д. 29, Телефон:(8442) 55-00-11, Факс:(8442) 55-00-11. **Волгоград**, ООО "Инструмент-Сервис" 400050 ул., Рокоссовского, д. 52, Телефон: (8442) 55-00-11, Факс: (8442) 55-00-11. **Волжский**, ООО "Инструмент-Сервис" 404106, ул. Большевикская, д.70Б, Телефон: (8443) 55-00-99, Факс:(8443) 55-00-99. **Вологда**, ИП Журавлёв Д. А.160022, ул. Можайского, д. 44. Телефон: (8172) 74-30-63, Факс: (8172) 74-30-63. **Воронеж**, ООО "Энкор-Сервис", 394026, ул.Текстильщиков, д. 2 корп. 3, Телефон: (473) 261-96-35, 261-96-46, Факс: (473) 261-96-35 доб.458. **Воткинск**, ИП Татаиринов К. В. 427430 ул. Садовникова, д. 17, Телефон: (950) 171-60-05, 8(963)546-22-34. **Екатеринбург**, ИП Салахов Д. Д. 620026, ул. Розы Люксембург, д. 67 А, Телефон: (343) 251-94-94. **Екатеринбург**, ООО "ИНИГС-Сервис", 620026, ул. Шефская, д. 3, корп. Г, Телефон: (343) 219-28-47, Факс: (343) 264-04-40. **Иваново**, ИП Грушина М. Е.,153000, ул. Красногвардейская д. 33, Телефон: (4932) 30-67-00. **Ижевск**, ИП Струков А. А., 426006, ул. Телегина, д. 30, Телефон: "(3412) 93-24-19", Факс: (3412) 93-24-19, 93-24-20. **Ижевск**, ООО "РЭМО", 426011, ул. Майская, д. 28, Телефон: (3412) 73-95-85, Факс: (3412) 72-72-76. **Иркутск**, ИП Паздникова Л. И. 664075, ул.Байкальская, д. 239, корп.7, Телефон: (3952) 22-60-29, 22-87-24, Факс: (3952) 22-60-29, доб.136. **Иркутск**, ООО "ВСРТА Кемеровские заводы", 664035, ул. Рабочего штаба, д. 87, Телефон:(3952) 77-91-02,96-96-59, Факс: (3952) 77-91-02, 77-93-87. **Ишар-Ола**, ООО "Дровосек", 424037, ул. Машиностроителей, д. 2 Б, Телефон: (8362) 41-97-70, Факс: (8362) 41-97-70. **Казань**, ИП Федосеев Е. И.,420029, ул. Сибирский Тракт, д. 34 корп. 12, Телефон: (843) 211-99-01 (02,03,04), Факс:(843) 211-99-01 (02,03,04). **Казань**, ООО "Вавилон-С", 420136, ул. Маршала Чуйкова, д. 25, Телефон: (843) 525-44-15, Факс: (843) 525-44-15. **Казань**, ООО "Дровосек", 420129, ул. Габдуллы Тукая, д. 125, корп.3, Телефон: (843) 205-33-32, 205-33-34. **Казань**, ООО "Профтулз", 422625, с. Песчаные Ковали, ул. Октябрьская, д.28,Телефон:(843) 225-80-20. **Казань**, ООО "Профтулз", 422622 с. Сокуры, ул. Державина, д. 9 А,Телефон: (843) 225-20-80, **Калининград**, ИП Скрицкий О. И., 236001, ул. Московский пр., д. 253, Телефон: (4012) 59-06-06, 59-06-13, Факс: (4012) 59-06-13. **Калуга**, ИП Смогилева А. Б., 248000, ул. Карла Либкнехта, д. 31, Телефон: (4842) 22-03-65, (920) 617-81-91. **Кемерово**, ООО "Сервисный центр "Электра",650044, ул. Абызова, д. 12 А, Телефон: (3842) 64-01-03, 64-28-00, 64-04-55, Факс: (3842) 64-00-07, **Киров**, ИП Кассихин В. Н., 610020, ул. Труда, д. 71, Телефон: (8332) 64-66-56, Факс: (8332) 64-66-56. **Киров**, ООО "Дровосек", 610004, ул. Ленина, д. 54,Телефон: (8332) 35-80-24, 35-80-25, Факс: (8332) 35-80-24, 35-80-25. **Киров**, ООО "Неолип", 610035, ул. Пугачева, д. 1, Телефон: (8332) 56-35-63, Факс: (8332) 56-35-63. **Ковров**, ООО "ИМКом-Сервис" 601916, ул. Летняя, д. 24 А, Телефон: (49232) 4-58-66, Факс: (49232) 4-58-66. **Кострома**, ООО "КрафтТулз", 156026, ул. Северной правды, д. 41 А, Телефон: (4942) 32-59-91, (910) 376-00-10, Факс: (4942) 32-59-91. **Краснодар**, ООО "СТО" Авто-Кубань", 350059, ул. Новороссийская, д. 174 А,Телефон: (989) 800-86-32, (918) 977-76-22. **Красноярск**, ООО "Инструмент-Сервис", 660121, ул. Парашютная, д. 15,Телефон:(3912) 61-98-99, 61-98-95, Факс: (3912) 61-98-99, 61-98-95. **Красноярск**, ООО "Сервисный Центр", 660022, ул. Азровокзальная, д. 21 стр. 2, Телефон: (3912) 41-86-40, Факс: (3912) 41-86-40, **Курск**, ИП Долголев Р. В. 305001, ул. Кожевенная, д.31. А, Телефон: (4712) 38-90-65, Факс: (4712) 38-90-65. **Липецк**, ООО "Арсенал", 398001, д. 9 Марта, д. 13,Телефон:(4742) 74-06-96, 35-32-15, Факс: (4742) 74-66-76, 22-74-78. **Липецк**, ЗАО "ДПрофи", 398035, ул. Космонавтов, д. 43,Телефон:(4742) 31-92-69, 790, Факс: (4742) 31-92-69, 79. **Магнитогорск**, ИП Трухин А. С. 455045, ул. Свободы, д. 7, (3519) 49-26-77, Миасс, ИП Макаров В. В., 456317, ул. Академика Павлова, д. 8 Б, Телефон: (904) 305-83-79, **Москва**, ООО "Фирма Технопарк", 121471, ул. Гвардейская, д. 3, к.1,Телефон:(495) 737-81-59, 444-10-70, Факс: (495) 737-81-59, **Мурманск**, ИП Гиренко С. Г., 183038, ул. Ленина пр-т, д. 45, Телефон: (8152) 47-47-25, (8152) 47-47-25, **Муром**, ООО "ИМКом-Сервис", 602266, ул. Владимирское шоссе, д. 12, Телефон: (49234) 2-63-41, Факс: (49234) 2-63-41. **Набережные Челны**, ООО "КамаСнабТорг", 423803, ул. Сармановский тракт, д. 60,Телефон: (8552) 33-23-12, 44-49-99, **Набережные Челны**, ИП Давлеева И. М., 423800, ул. 40 лет Победы, ГСК "Визиди" бокс №19, Телефон: (962)566-95-23, Факс: (8552) 40-04-48, **Нальчик**, ООО "Техно-Сити", 360004, ул. Кирова, д.137,Телефон:(8662) 40-29-83, Факс: (8662) 40-78-78. **Нижний Новгород**, ИП Федосеев Е. И., 603124, ул. Московское ш., д. 300,Телефон: (831) 274-89-66, 274-89-67, Факс: 274-89-66, доб.117. **Нижний Новгород**, ООО "Пигмент", 603089, ул. Полтавская, д. 32,Телефон: (831) 416-78-70, 416-78-80, Факс: (831) 416-78-70. **Нижний Новгород**, ООО "Дровосек", 603086, ул. Бульвар Мира, д. 7,Телефон: (831) 281-81-91, Факс: (831) 281-81-91, **Новокузнецк**, ООО "Механик", 654005, ул. Пирогова, д. 301,Телефон:(3843) 73-83-17, Факс: (3843) 73-83-17, **Новосибирск**, ООО "Телец", 353920, ул. Героев Десантников, д. 61,Телефон: (8617) 63-50-10, Факс:(8617) 63-50-10, **Новосибирск**, ООО "СТП Регламент", 630091, ул. Советская, д. 52,Телефон: (3832) 20-00-30, Факс: (3832) 20-00-30. **Обнинск**, ИП Вишняков О. В. 249034, ул. Кабицинская Гос Заря №244,Телефон: (48439) 9-07-46, Факс:(48439) 9-07-46. **Сочи**, ЗАО "Исток", 354340, ул. Старонасыльная, д. 30/2,Телефон:(8622) 40-20-64, 8-800-100-44-33. **Омск**, ООО "Профинструмент сервис", 644001, ул. Шебадина, д. 199, к. 1, Телефон: (3812) 36-65-09, Факс: (3812) 36-65-09. **Орел**, ИП Долженков А. В. 302030, ул. Старо-Московская, д. 7,Телефон: (4862) 54-36-07, Факс:(4862) 54-36-07.

Имена и адреса дистрибьютеров Black & Decker

Оренбург, ООО "Уральский мастер", 460050, ул.Томиллинская, д. 238/1,Телефон: (3532) 53-26-11, 27-87-97, Факс: (3532) 53-26-11,
Орск, ИП Балан Ю. Л. 462421, ул. Новосибирская, д. 90 ,Телефон: (3537) 42-10-99, **Орск**, ООО "Проминоком", 462421, ул. Новосибирская, д. 211,Телефон: (3537) 28-15-29, **Пенза**, ООО "Анкор", 440600 ул. Гладкова, д. 10, Телефон: (8412) 55-32-27 ,
Пермь, ООО "КУБ", 614064, ул. Героев Хасана, д. 41,Телефон: (342) 240-25-39, 240-25-38,Факс: (342) 240-25-38, **Петрозаводск**,
ООО "Батя - Сервис", 185031, ул. Заводская, д. 4,Телефон: (8142) 74-72-42, 77-15-77, **Псков**, ООО "Сервисный центр "Мастер",
180006, ул. Первомайская, д. 33,Телефон: (8112) 72-45-55, 72-30-56,Факс: (8112) 72-45-55, 72-30-56, **Сочи**, ИП Никишина Т. Л.,
354000, ул. 20-й Горнострелковой дивизии д. 16,Телефон: (8622) 241-25-92, **Симферополь**, ООО "Инструмент Крым", 295001, ул.
Крылова, д. 21, (0652) 60-09-36, (978)735-43-12, **Севастополь**, ИП Малинка А. Н., 299033, ул. Льва Толстого, д. 7, (978)
018-27-90,**Пятигорск**, ООО "Электра", 357500, ул. Суворовский проезд, д. 1 А, Телефон:(8793) 38-27-57 Факс: (8793) 38-27-57.
Ростов-на-Дону, ИП Холод В. Н., 344004, ул. Нансена, д. 140,Телефон: (863) 279-03-05, 8(938)160-52-52. **Ростов-на-Дону**, ООО
"Электроинструмент-Сервис", 344079, ул. Нансена, д. 77 (863) 295-74-65, **Рязань**, ООО "С-ФК",390000, ул. Садовая, д. 33,Телефон:
(4912) 28-20-16, 92-34-72,Факс: (4912) 28-20-16, **Рязань**, ИП Ильина Н. С., 390037, ул. Зубковой, д.8 А, Телефон: (4912)
32-07-81,Факс: (4912) 32-07-81, **Самара**, ООО "ЭлектроМаркт", 443052, ул. Земеца, д. 25,Телефон: (846) 955-24-14, Факс: (846)
955-24-14, **Самара**, ООО "Спецалист", 443080, ул. 4-й проезд, д. 66,Телефон: (846) 342-52-61, Факс: (846) 342-52-61,
Санкт-Петербург, ООО "Инфраком - Сервис", 190103, ул. наб. Обводного канала, д. 187, литер Д, Телефон: (812) 777-0-111,
251-83-39,Факс: (812) 251-83-74, 575-48-13, Санкт-Петербург, ООО "Электра", 190013, ул. Рузовская, д. 5/13, литер А, пом. 6-Н.
Телефон: (812) 647-35-68,Факс: (812) 647-35-68, **Саратов**, ИП Петриченко В. В., 410005, ул. Соколова, д. 376,Телефон: (8452)
27-26-55, 69-26-15, 69-30-16,Факс: (8452) 69-30-37, **Саратов**, ООО "Дровосек", 410004, ул. Чернышевского, д. 88,Телефон: (8452)
20-03-81,20-03-87, Факс:(8452) 20-03-81,20-03-87, **Серпухов**, ИП Бекренев Г. А. 142200, деревня Борисово, Данковское шоссе, д.
3А,Телефон: (4967) 76-12-80, (926) 617-10-19, **Смоленск**, ИП Шульман А. И. 214004, ул. 2-й Краснинский переулок, д. 14,Телефон:
(4812) 32-15-42,Факс: (4812) 32-15-42, **Сокол**, ООО "Домострой", 162130 ул. Набережная Свободы, д. 52,Телефон: (81733) 2-29-79,
2-26-72,Факс: (81733) 2-29-79, 2-26-72, **Сочи**, ИП Семенченко Т. В. 354000, ул. Транспортная, д./78,Телефон: 8-965-481-13-05,
Сочи, ИП Никишина Т. Л., 352002, ул. 20-й Горнострелковой, дивизии д.16,Телефон: (8622) 25-52-13, **Ставрополь**, ИП Матвеев А.
Б., 355002, ул. 50 лет ВЛКСМ, д. 89,Телефон: (8652) 55-41-35,Факс: (8652) 55-46-13. **Стерлитамак**, ИП Исаев А. В., 453118, ул.
Худайбердина, д. 202 А,Телефон: (3473) 41-41-19. **Тамбов**, ИП Поликашин Ю. В., 392000, ул. Монтажников, д. 8 А,Телефон: (4752)
50-47-67. **Тольятти**, ООО "Инструмент сервис" 445000,ул.Офицерская, д. 24,Телефон: (8482) 51-58-13, 51-54-48, Факс:(8482)
51-54-48. **Томск**, ИП Брусиныч Н. К. 634061 ул. Герцена, д. 72,Телефон: (3822) 52-25-02, 97-95-73, Факс: (3822) 52-34-73. **Томск**, ИП
Обухов М. Г. 634063,ул. Мичурина, д. 47, стр. 1,Телефон: (3822) 67-95-74, Факс: (3822) 67-95-74. **Тюмень**, ООО "Спецтехника",
625026, ул. Республики, д. 143, ост. Газпром, Телефон: (3452) 31-03-11, 20-55-97, Факс: (3452) 20-55-97. **Туапсе**, ИП Гвилава В. Б.,
352800, ул. Армавирская, д. 8 Б, Телефон: (918) 600-32-42, Факс: (86167) 2-54-47, **Тула**, ИП Машинков Ю. Н., 300041, ул.
Коминтерна, д. 24,Телефон: (4872) 55-87-21, **Ульянов**, ООО "Инструмент-сервис", 301600, ул. Треугова, д. 31 А,Телефон: (48731)
6-29-64, Факс: (48731) 6-29-64. **Улан-Удэ**, ИП Коркина О. Ю., 670031, ул. Сахьяновская, д. 9 В, Телефон: (3012) 43-70-54, 43-58-61,
Факс: (3012) 43-58-61. **Ульяновск**, ООО "ДПС", 432071, ул. пр-т Нариманова, д. 1, Телефон: (8422) 37-01-46, Факс: (8422) 37-01-46,
Ульяновск, ООО "Дровосек", 432017, ул. Минаева, д. 12, Телефон: (8422) 32-21-28, Факс: (8422) 32-21-28. **Уфа**, ИП Мингалев А. В.,
450078, ул. Кирова, д. 101,Телефон: (347) 246-31-86, Факс: (347) 246-31-86, **Ухта**, ООО "ТМ Жуковский Инструмент", 169300,
Интернациональная, д.40,Телефон: (8216) 72-09-00, **Хабаровск**, ООО "БизнесСтройИнструмент", 680014, ул. Переулк Гражарный,
д. 4, Телефон: (4212) 40-07-78, Факс: (4212) 40-07-77, **Чебоксары**, ИП Васильев А. Ю., 428000, ул. Базовый проезд, д. 8 Б,Телефон:
(8352) 57-39-62, **Челябинск**, ИП Альперова Д.П., 454138, ул. Молодогвардейцев, д. 7, корп.3,Телефон: (351) 267-50-01, 267-50-04,
Факс: (351) 267-50-01, 267-50-04. **Череповец**, ИП Исупов А. А., 162614 ул. Вологодская, д. 50 А, Телефон: (8202) 202-102, доб.3.
Ярославль, ООО "ЦентрРегионСервис", 150014, ул. Рыбинская, д. 30/30, Телефон: (4852) 20-05-28, 20-05-29, Факс: (4852) 20-05-29,
Ярославль, ООО "ЯрБошСервис", 150040, ул. пр-т Ленина, д. 37/73, пом. 69, 70, 71 Телефон: (4852) 73-34-91. **Примьный Пункт**,
Саранск, ООО "ФиТеС", 430030, ул., Титова, д. 4, Телефон: (8342) 23-32-23, Факс: (8342) 23-32-23. **Тверь**, ООО "Левша", ул. наб.
Никитина, д. 142, Телефон: (4822) 52-27-87. **Камышин**, ООО "Инструмент-Сервис" 403873, ул. Пролетарская, д. 11 Б, Телефон:
(84457) 5-27-27 Факс: (84457) 5-27-27. **Новоосовецк**, ООО "Инструмент-Сервис" 301660, ул. Мира, д.17 А, Телефон: (48762)
7-90-37, **Украина**, Донецк, ДП "ЭСКО-Днепр", 83018, ул. Ершова, д. 10, 38(062), Телефон: 349-24-20, Факс: 349-24-30 ,
Днепропетровск, ООО "ЭСКО-Днепр", 49038, ул. Возкальная, д. 6, Телефон: 38(056) 770-60-28, Факс: 38(062) 349-24-10.
Запорожье, ООО "Альцест - Запорожье", 69057, ул. 40 лет Советской Украины, д. 86Б, Телефон: 38(061) 220-28-13, Факс: 38(0562)
311-971 **Ивано-Франковск**, АОЗТ "Альцест-Карпаты", 76000, ул. Мельничука, д. 8, Телефон: 38(0342) 50-24-04, Факс: 38(061)
701-71-52, 53 , **Киев**, ООО ПКП "ЭСКО", 04073, ул. Сырецкая, д. 33Ш, Телефон: 38(044) 581-11-25, Факс: 38(0342) 50-24-04. **Львов**,
ООО "Дом инструментов ", 79020, ул. Замарастыновская, д. 76, Телефон: 38(0322) 24-72-13, 24-72-51, Факс: 38(044) 581-11-25.
Одесса, ДП "ЭСКО-Одесса", 65033, ул. Строганова, д. 29А, 38(0482) 37-61-76, 38(0322) 24-72-13, **Харьков**, ФЛП Коротченко Е.В.,
61001, ул. Юлия Чигирина, д. 13, Телефон: 38(057) 731-97-22,24,26, Факс: 38(0652) 600-936. **Луцк**, ФОП "Крукочев В. С.", 43024, пр.
Соборности, д. 11 а, Телефон: 38(0332) 29-97-90, Факс: 38(057) 731-97-22, 24, 26, **КривойРог**, ЧП"Коновал А. В.", 50000, пр. Мира,
д. 16, Телефон: 38(056) 404-03-45, Факс: 38(0332) 29-97-90, **Херсон**, ФОП Пархоменко Игорь Алексеевич, 73000, ул. Дровника, д. 12,
Телефон: 38(0552) 39-06-90 Факс: 38(0552) 39-06-90. **Армения**, Ереван, ПК "АРЕГ", 0070, ул. Вардананца, д. 28, Телефон: (37410)
57-02-31, Факс: (37410) 57-02-38. **Беларусь**, Минск, УП "18", 220049, ул. Волгоградская, д. 13, к. 8, Телефон: (017) 280-77-81,
280-76-93, Факс: (37517) 207-22-78, 251-43-07. **Казахстан**, Алматы, ТОО "Ламэд", 050060, ул. Березовского, д. 3А, Телефон: (727)
244-64-46, Факс: (727) 244-64-46, **Актобе**, Филиал ТОО "Ламэд", 030000, ул., Санкибай Батыра, д. 4 Л, Телефон: (7132) 53-86-80,
Факс: (7132) 51-05-54. **Астана** Филиал ТОО "Ламэд", 010000, ул. Пушкина, д. 37/1,Телефон: (7172) 47-81-37, Факс: (7172) 54-16-47.
Усть-Каменогорск, ТОО "Алтай-Метиз", 070003 , ул. Космическая, д. 4/19, Телефон: (7232) 53-45-44, Факс: (7232) 76-54-93.
Кустанай, ИП Шипилкин В. Г., 110000, ул. Складская, бутик № 35,Телефон: (7142) 39-25-24, Факс: (7142) 56-62-67. **Павлодар**, ТОО
"ЛСА - Сервис", 140000, ул. Академика Бектурова, д. 58, Телефон:(7182) 32-08-68. **Грузия**, Тбилиси, ООО "Кавкасия 99", 0141, ул.
Ксанская №22, Телефон: (832) 260 94 49. **Тбилиси**, ООО "Евротехнологии", 177, ул.пр-т КазбегИ, 26, Телефон: (832) 238 52 38.
Азербайджан, Баку, ООО "Сантрал Электрик", AZ1029, ул. пр-т Зии Буньятова 2071-квартал, Телефон: (994) 12 514-40-46.

Şehir	Servis Adı	Adres	Telefon
Adana	Emin Elektrik Bobinaj	Karasu Mah. Kızılay Cad. 28006 Sok. No: 9/D Seyhan	0322 351 80 46
Adana	Demir Elektrik	Karasu Mah. Kızılay Cad. Güngör Pasajı No: 12 Seyhan	0322 352 97 95
Afyon	Katar Bobinaj	Güvenevler Mahallesi 1. San. Sitesi 622 Sokak 6. Blok No :12/A	0272 214 48 64
Ağrı	Tamgüç Bobinaj	Yavuz Mah. Kağızman Cad. Bülbül Sok. No: 51	0472 215 70 41
Amasya	Akotek Ticaret	Yeni Yol Cad. No: 85	0358 218 71 79
Ankara	Başak Elektrik	Başkent Orta San. Sit. 664. Sok. No: 28 Ostim	0312 386 20 84
Ankara	Tezcan Elektrik Bobinaj	1230/1 Sok. No:38 Ostim	0312 354 80 21
Ankara	Tezcan Elektrik Bobinaj	ŞubeYeni San. Sit. Demir Cad. No:64 Dışkapı	0312 311 28 09
Ankara	Tezcan Elektrik Bobinaj Şube	Çalın Sok. No: 32/E Sitelers	0312 348 63 88
Antalya	Yaşar Bobinaj	Aşağı Pazarcı Mah.1068 Sok. No: 19 Manavgat	0242 744 47 07
Antalya	Uslu Bobinaj	G. Pınarı Mah. Obu Yolu Üzeri No: 27/C Alanya	0242 511 57 01
Antalya	Gözde Bobinaj	Akdeniz San. Sit. 5010 Sok. No: 25 Kepez	0242 221 40 30
Antalya	E.B.A Teknik	Cumhuriyet Mah. Eski San. Sit. 682 Sok. No: 38	0242 345 36 22
Aydın	Ege Bobinaj	Yeni Mah. Atatürk Bul. No: 206/E Didim	0256 811 05 95
Aydın	Ozen Bobinaj	Ata Mah. Tepecik Bulvarı No:39	0256 227 07 07
Balıkesir	Küre Bobinaj	Atatürk Cad. No: 109 Bandırma	0266 718 46 79
Balıkesir	Tezger Bobinaj	Yeni San. Sit. Cumhuriyet Cad. No:198	0266 246 23 01
Batman	Topiz Bobinaj	Cumhuriyet Mah. 1512 Sok. No: 35/A	0488 214 87 70
Bolu	Moral Elektrik Bobinaj	Karamanlı Mah. Konuralp Cad. Bilgi Apt. No: 24	0374 210 02 32
Bursa	Vokart Ltd. Şti.	Gasızlar Cad. Eriklı Bahçe Sok. No: 7/B Osmangazi	0224 254 48 57
Bursa	Çağ Teknik Bobinaj	Yeni San. Orhangazi Cad. No:23 Inegöl	0224 715 57 37
Bursa	Vokart Ltd. Şti. Şube	Beşevler Küçük San. Sit. Ertuğrul Cad. 13. Satış Blok No: 19 Nilüfer	0224 441 57 00
Çanakkale	Ovalı Bobinaj	Hamdi Bey Mah. İstiklal Cad. No: 160 Biga	0286 316 49 66
Çanakkale	Kısacık Bobinaj	Namık Kemal Mah. Kaynak Sok. No: 41	0286 217 96 71
Çorum	Emek Bobinaj	Küçük San. Sit. 23. Cad. No: 5/C	0364 234 68 84
Denizli	Örsler Bobinaj	Ahisinan Cad. 171 Sok. Sedef Çarşısı No: 9/10	0258 261 42 74
Diyarbakır	Çetsan Elektrik	San. Sit. Karakol Sok. No: 1	0412 237 29 04
Düzce	Yıldız Makina	Burhanıye Mah. Gen. Kazım Sok. No: 10	0380 514 70 56
Düzce	Berke Makine	Kültür Mah. 793 Sok. No:10	0380 524 83 83
Edirne	Eray Bobinaj	Eski San. Sit. 12. Blok No: 9	0284 225 92 92
Elazığ	Kalender Elektrik Bobinaj	San. Sit. 11. Sok. No: 46	0424 224 85 01
Erzurum	Ümit Elektrik Makina	Karaağaç Mah. Sümerbank Cad. No:18/3	0446 224 08 01
Erzurum	Ümit Teknik	Bakırçı Mah. Bakırçı Sok. No: 1	0442 235 05 72
Erzurum	Teknik Makina Bobinaj	Demirciler San. Sit. 1. Blok D: 46 Yakutiye	0442 243 17 34
Eskişehir	Escan Hırdavat	İhsaniye Mah. Kırm Cad. No: 71/A	0222 321 20 40
Gaziantep	Eser Bobinaj	Küçük San. Sit. A Blok 11. Cad. 25. Ada No: 55 Ş. Kamil	0342 235 30 84
Gaziantep	Karavaşın Bobinaj	İsmet Paşa Mah. Şenyurt Cad. No: 35	0342 231 17 33
Hatay	Öz Kardaş Bobinaj	Yeni San. Sit. 38/A Blok No: 53	0326 221 22 91
Isparta	Izmir Bobinaj	Yeni San. Sit. 5 Blok No: 28	0246 223 70 11
İstanbul	Altek Mekatronik	İçmeler Mah. Ankara Cad. Erdoğan Sok. No: 5/C Tuzla	0216 494 03 43
İstanbul	Tarıf Makina	Bağdat Cad. Adalı Sok. No: 8 Maltepe	0216 370 21 11
İstanbul	Fırat Dış Ticaret	Tersane Cad. Zincirli Han Sok. No:3/A Karaköy	0212 252 93 43
İstanbul	Birlik Elektromekanik	Perpa Tic. Mer. B Blok Mavi Avlu Kat. 4 No: 318 Okmeydanı	0212 222 94 18
İstanbul	Kardeşler Bobinaj	Kağıthane Cad. No: 47 Çağlayan	0212 224 97 54
İstanbul	Mert Elektrik	İkitelli Org. Demirciler San. Sit. D/2 Blok No: 280 İkitelli	0212 549 65 78
İstanbul	Orjinal Elektrik	Bağlar Mah. Mimar Sinan Cad. No: 24 Güneşli	0212 515 67 71
İstanbul	Akıl El. Servis Hizmetleri	Nato Yolu Cad. Tamer Sok. No: 1 Yukarı Dudullu Ümraniye	0216 540 53 54
İstanbul	Firat Dış Ticaret Şube	Yakuplu Merkez Mah. 63. Sok. Ağaogulları Plaza A Blok No:9/A Beylikdüzü	0212 876 63 51
İstanbul	Zirve Teknik	Mehmet Akif Ersoy Mah. Atatürk Cad. No: 58/B Sultanbeyli	0216 419 24 34
İzmir	Çetin Bobinaj	Cüneyt Bey Mah. İbrahim Turan Cad. No 98/A Menderes	0232 782 73 00
İzmir	Birlik Bobinaj	2824 Sok. No: 18 1. San. Sit. Halkapınar	0232 458 39 40
İzmir	Boro Cıvata	1203 Sok. Baltalı İş Merkezi C Blok. No: 18/C Yenisehir	0232 469 80 72
İzmir	Doruk Hırdavat	1426 Sok. No: 14 Hurdacılar Sitesi Doğanlar Bornova	0232 478 14 12
Kahramanmaraş	Bayram Bobinaj	Menderes mah. Girne Cad. No: 82	0344 281 08 26
Karabük	Damla Elektrik Bobinaj	Hürriyet Mah. Aktaş Cad. No: 17/B	0370 412 77 00
Karaman	Özüm Elektrik Bobinaj	Yeni San. Sit. 735. Sok. No: 2	0338 212 32 69
Kastamonu	Teknik Bobinaj	İnönü Mah. İnebulu Cad. No: 132	0366 212 62 26
Kayseri	Akın Elektrik Bobinaj	Eski San. Bölgesi 5. Cad. No: 8	0352 336 41 23
Kayseri	Akın Elektrik Bobinaj Şube	Ağaç İşleri San. Sit. 29. Cad. No:84 Melikgazi	0352 311 41 74
Kocaeli	Gülsoy Bobinaj	S. Orhan Mah. İlyas Bey Cad. 1111 Sok. No: 5/1 Gebze	0262 646 92 49
Kocaeli	Teknik Karot	Gasızlar Mah. İbrahimdağ Cad. No: 159/A Gebze	0262 642 26 86
Kocaeli	Efe Elektrik Bobinaj	Körfez San. Sit. 12. Blok No: 11	0262 335 18 94
Konya	Sözlenler Bobinaj	Fevzi Çakmak Mah. Komsan İş Merkezi Anamur 10562 Sok. No: 8	0332 342 63 18
Konya	MEB Murat Elk. Bobinaj	Karatay San. Sit. Fatih Mah. Çiçekli Sok. No: 10	0332 235 64 63
Kütahya	Doğan Bobinaj	Yeni San. Sit. 19. Sok. No: 32	0274 231 22 00
Malatya	Özer Bobinaj	Yeni San. Sit. 2. Cad. No: 95	0422 336 39 53
Manisa	Çavuş Bobinaj	Kurtuluş Mah. Fatih Cad. No: 44/A Soma	0236 614 13 78
Mersin	Coşkun Bobinaj	Mahmudiye Mah. 4810 sok. No: 68 Akdeniz	0324 337 31 61
Mersin	Üniversal Bobinaj	Yeni Mah. Çiftçiler Cad. No:12/B Akdeniz	0324 233 44 29
Muğla	Başaran Teknik	Beldibi Cad. Sanayi Girişi No: 5/C Marmaris	0252 419 20 29
Muğla	General Elektrik Bobinaj	Tuzla Mah. Adnan Menderes Bulvarı No: 37/A	0252 612 38 34
Muğla	Özseker Bobinaj	San. Sit. Demiröz Sok. No: 3 Bodrum	0252 313 11 02
Neuşehir	Çiftçü Soğutma	Yeni San. Sit 8 Blok No: 28	0384 213 19 96
Niğde	Emek Motor	Eski San. Çarşısı 1. Blok No: 2	0388 232 83 59
Sakarya	Engin Elektrik Bobinaj	Maltepe Mah. Orhan Gazi Cad. Şehit Metin Akkuş Sok. No: 19	0264 291 05 67
Samsun	Akış Bobinaj	Ülüs Cad. San. Sit. Keresteciler Kısmı No: 40	0362 238 07 23
Sivas	Bayraktar Elektrik	Camii Kebir Mah. Mahkemecarşısı Cad. No:40/C	0346 221 47 55
Şanlıurfa	Ay Elektrik	Samsat Kapaşaroglu Garajı No: 7	0414 215 74 76
Tekirdağ	Birkan Teknik	Şehsinan Mah. Ereğli Sok. No: 25	0282 654 50 91
Tekirdağ	Çetin Elektrik Bobinaj	100. Yıl San. Sit. 14B Blok No: 10	0282 263 86 60
Tokat	Çetin Elektrik Bobinaj	San. Sit. Camii Altı No: 22	0356 214 63 07
Trabzon	Akçay Bobinaj Makina	Yaylacık Mah. Tosun San Sit No: 3 Akçaabat	0462 227 54 26
Trabzon	Makina Market	Rize Cad. No: 71 Değirmendere	0462 328 14 80
Uşak	Zengin Bobinaj	İslicce Mah. Ş. İbrahim Aydın Sok. No:12	0276 227 27 46
Van	Özen Elektrik Bobinaj	Vali Mithatbey Mah. Koçbey Cad. Armoni İş Merkezi No: 23	0432 214 22 27
Yalova	Deniz El. Ser. Hizmetleri	Hürriyet Mah. Devlet Yolu Üzeri No: 54/1	0226 461 22 43
Zonguldak	Aytekin Elektrik	Kışla San. Sit. 1 Blok No: 24 Kdz. Ereğli	0372 136 39 71

GB WARRANTY CARD

BY ГАРАНТЫЙНЫЙ ТАЛОН

RUS ГАРАНТИЙНЫЙ ТАЛОН

KZ КЕПІЛДІК ТАЛОН

UA ГАРАНТІЙНИЙ ТАЛОН

UZ ГАРАНТИЯ ЧИПТАСИ



GB months

BY месяцы

RUS месяца

KZ ай

UA місяці

24

UZ ой

GB Serial No.	Date of sale	Selling stamp, Signature
RUS Серийный номер	Дата продажи	Печать и подпись торговой организации
UA Серійний номер	Дата продажу	Печатка та підпис торгівельної організації
BY Серийны нумар	Дата продажы	Пячатка і подпіс гандлёвай установы
KZ Сериялық нөмір	Сату күні	Сауда ұйымының мөрі мен қолтанбасы
UZ Серия сони	Сотилган куни	Савдо корхонанинг мухр ва имзоси

№ 1

Order No. / Заказ № / Замовлення №

Date of receipt/ Дата поступления/ Дата прийому

Date of receipt/ Дата выдачи/ Дата видання

Stamp and signature of the service centre/
Печать и подпись сервисного центра/
Печатка та підпис сервісного центру

№ 1

Order No. / Заказ № / Замовлення №

Date of receipt/ Дата поступления/ Дата прийому

Stamp and signature of the service centre/
Печать и подпись сервисного центра/
Печатка та підпис сервісного центру

№ 2

Order No. / Заказ № / Замовлення №

Date of receipt/ Дата поступления/ Дата прийому

Date of receipt/ Дата выдачи/ Дата видання

Stamp and signature of the service centre/
Печать и подпись сервисного центра/
Печатка та підпис сервісного центру

№ 2

Order No. / Заказ № / Замовлення №

Date of receipt/ Дата поступления/ Дата прийому

Stamp and signature of the service centre/
Печать и подпись сервисного центра/
Печатка та підпис сервісного центру

№ 3

Order No. / Заказ № / Замовлення №

Date of receipt/ Дата поступления/ Дата прийому

Date of receipt/ Дата выдачи/ Дата видання

Stamp and signature of the service centre/
Печать и подпись сервисного центра/
Печатка та підпис сервісного центру

№ 3

Order No. / Заказ № / Замовлення №

Date of receipt/ Дата поступления/ Дата прийому

Stamp and signature of the service centre/
Печать и подпись сервисного центра/
Печатка та підпис сервісного центру

№ 4

Order No. / Заказ № / Замовлення №

Date of receipt/ Дата поступления/ Дата прийому

Date of receipt/ Дата выдачи/ Дата видання

Stamp and signature of the service centre/
Печать и подпись сервисного центра/
Печатка та підпис сервісного центру

№ 4

Order No. / Заказ № / Замовлення №

Date of receipt/ Дата поступления/ Дата прийому

Stamp and signature of the service centre/
Печать и подпись сервисного центра/
Печатка та підпис сервісного центру

№ 4	№ 3	№ 2	№ 1
Заказ №/Талсырыс №/Буюртма №	Заказ №/Талсырыс №/Буюртма №	Заказ №/Талсырыс №/Буюртма №	Заказ №/Талсырыс №/Буюртма №
Дата прыемки/Кабылдау күні/Кабул килинган күни	Дата прыемки/Кабылдау күні/Кабул килинган күни	Дата прыемки/Кабылдау күні/Кабул килинган күни	Дата прыемки/Кабылдау күні/Кабул килинган күни
Дата выдачы/Беру күні/Кайтарыб берилган күни	Дата выдачы/Беру күні/Кайтарыб берилган күни	Дата выдачы/Беру күні/Кайтарыб берилган күни	Дата выдачы/Беру күні/Кайтарыб берилган күни
Пачатка і подпіс сэрвіснага цэнтра/ Сервіс орталыгының мөрі мен колтанбасы/ Сервіс марказининг муҳр ва имзоси	Пачатка і подпіс сэрвіснага цэнтра/ Сервіс орталыгының мөрі мен колтанбасы/ Сервіс марказининг муҳр ва имзоси	Пачатка і подпіс сэрвіснага цэнтра/ Сервіс орталыгының мөрі мен колтанбасы/ Сервіс марказининг муҳр ва имзоси	Пачатка і подпіс сэрвіснага цэнтра/ Сервіс орталыгының мөрі мен колтанбасы/ Сервіс марказининг муҳр ва имзоси
----- № 4	----- № 3	----- № 2	----- № 1
Заказ №/Талсырыс №/Буюртма №	Заказ №/Талсырыс №/Буюртма №	Заказ №/Талсырыс №/Буюртма №	Заказ №/Талсырыс №/Буюртма №
Дата прыемки/Кабылдау күні/Кабул килинган күни	Дата прыемки/Кабылдау күні/Кабул килинган күни	Дата прыемки/Кабылдау күні/Кабул килинган күни	Дата прыемки/Кабылдау күні/Кабул килинган күни



АВТОРИЗОВАННЫЕ СЕРВИСНЫЕ ЦЕНТРЫ



Сервисная сеть BLACK+DECKER постоянно расширяется.
Информацию об обслуживании в других городах Вы можете получить по телефонам
в Москве: (495) 258 39 81/2/3, в Киеве: (044) 238 95 94, www.blackanddecker.ru

„Исправный и полностью укомплектованный товар получил(а), с гарантийными условиями ознакомлен(а)/
Справний та повністю укомплектований товар отримав(ла), з гарантійними забор'язаннями ознайомлен(а)/
Спра ны і по насцю укомплектаваны тавар атрыма(ла), з гарантійнымі умовамі азнаёмлены(а)/
Т зу ж не толы жина тал ан тауар абылдадым, кепілдік шарттарымен таныстым/
Т затилган ва тулик комплектли махсулотни олдим, гарантия шартлари билан танишиб чикдим“

Подпись покупателя/ Підпис покупця/ Подпис закупника/ Сатып алушыны олтанбасы/ Хариддорнинз имзоси

İTHALATÇI FİRMA

Ünvanı	: Kale Hırdavat ve Makina A.Ş.
Adresi	: Defterdar Mah. Savaklar Cad. No:15 Edirnekapı - Eyüp / İSTANBUL
Telefon No.	: (0212) 533 52 55 (Pbx)
Faks No.	: (0212) 533 10 05
E-mail	: info@kalemakina.com



ÜRÜNÜN

Cinsi	:
Markası	: BLACK+DECKER
Modeli	:
Seri Numarası	:
Garanti Süresi	: 2 YIL
Azami Tamir Süresi	: 20 İŞ GÜNÜ

SATICI FİRMANIN

Ünvanı	:
Adresi	:
Telefon No.	:
Faks No.	:
Fatura Tarih ve No.	:
Ürün Teslim Tarihi	:
Ürün Teslim Yeri	:
Belgeyi Dolduranın Adı Soyadı	:

Kaşe - Yetkili İmza

GARANTİ ŞARTLARI

- Garanti süresi, malın teslim tarihinden itibaren başlar ve 2 yıldır.
- Malın bütün parçaları dahil olmak üzere tamamı firmamızın garantisine kapsamındadır.
- Malın ayıplı olduğunun anlaşılması durumunda tüketici, 6502 sayılı Tüketicinin Korunması Hakkında Kanunun 11 inci maddesinde yer alan;
 - Sözleşmeden dönme,
 - Satış bedelinden indirim isteme
 - Ücretsiz onarılmasını isteme
 - Satılanın ayıpsız bir misli ile değiştirilmesini isteme,haklarından birini kullanabilir.
- Tüketicinin bu haklardan ücretsiz onarım hakkını seçmesi durumunda satıcı; işçilik masrafı, değiştirilen parça bedeli ya da başka herhangi bir ad altında hiçbir ücret talep etmeksizin malın onarımını yapmak veya yaptırmakla yükümlüdür. Tüketici ücretsiz onarım hakkını üretici veya ithalatçıya karşı da kullanabilir.

Satıcı, üretici ve ithalatçı tüketicinin bu hakkını kullanmasından müteselsilen sorumludur.
- Tüketicinin, ücretsiz onarım hakkını kullanması halinde malın;
 - Garanti süresi içinde tekrar arızalanması,
 - Tamiri için gereken azami sürenin aşılması,
 - Tamirinin mümkün olmadığının, yetkili servis istasyonu, satıcı, üretici veya ithalatçı tarafından bir raporla belirlenmesidurumlarında; tüketici malın bedel iadesini, ayıp oranında bedel indirimini veya imkan varsa malın ayıpsız misli ile değiştirilmesini satıcıdan talep edebilir.
- Satıcı, tüketicinin talebini reddedemez. Bu talebin yerine getirilmemesi durumunda satıcı, üretici ve ithalatçı müteselsilen sorumludur.
- Malın tamir süresi 20 iş gününü geçemez. Bu süre, garanti süresi içerisinde mala ilişkin arızanın yetkili servis istasyonuna veya satıcıya bildiri tarihi, garanti süresi dışında ise malın yetkili servis istasyonuna teslim tarihinden itibaren başlar. Malın arızasının 10 iş günü içerisinde giderilmemesi halinde, üretici veya ithalatçı; malın tamiri tamamlanıncaya kadar, benzer özelliklere sahip başka bir malı tüketicinin kullanımına tahsis etmek zorundadır. Malın garanti süresi içerisinde arızalanması durumunda, tamirde geçen süre garanti süresine eklenir.
- Malın kullanma kılavuzunda yer alan hususlara aykırı kullanılmasından kaynaklanan arızalar garanti kapsamı dışındadır.
 - Garanti kapsam şartları;
 - Ürün hatalı kullanılmamıştır.
 - Ürün yıpranmamış, hırpalanmamış ve aşınmamıştır.
 - Yetkili olmayan kişilerce tamire çalışılmamıştır.
 - Satın alma belgesi (fatura) ibraz edilmiştir.
 - Ürün, tüm orijinal parçaları ile iade edilmiştir.
- Tüketici, garantiden doğan haklarının kullanılması ile ilgili olarak çıkabilecek uyuşmazlıklarda yerleşim yerinin bulunduğu veya tüketici işleminin yapıldığı yerdeki Tüketici Hakem Heyetine veya Tüketici Mahkemesine başvurabilir.
- Satıcı tarafından Garanti Belgesinin verilmemesi durumunda, tüketici Gümrük ve Ticaret Bakanlığı Tüketicinin Korunması ve Piyasa Gözetimi Genel Müdürlüğüne başvurabilir.

EEE Yönetmeliğine uygundur.

KULLANMA KILAVUZU İÇİN EK BİLGİLER

-Taşıma ve nakliye sırasında dikkat edilecek hususlar;
Cihazı taşıma ve nakliye esnasında hasar verecek şekilde taşınmamalı, bir yerden bir yere fırlatılmamalı, istifleme yapılırken dikkat edilmeli.

-Gümrük ve Ticaret Bakanlığı uyarınca belirlenen kullanım ömürleri aşağıdaki gibidir;

Testere Makineleri	7 yıl
Polisaj Makineleri	7 yıl
Matkaplar	7 yıl
Vidalama Makineleri	7 yıl
Zımpara Makineleri	7 yıl
Elektrikli Süpürgeler	10 yıl
Jeneratörler	10 yıl
Akümülatörler	5 yıl
Kesintisiz Güç Kaynakları	5 yıl
Dönüştürücüler	3 yıl
Çim-Ot-Çit Kesme Makineleri	5 yıl
Çim Biçme Makineleri	5 yıl
Zincirli Testere Makineleri	5 yıl
Çapalama Makineleri	5 yıl
Araç Buzdolapları	10 yıl
Buharlı Temizlik Makineleri	10 yıl

-Malın ayıplı olduğunun anlaşılması durumunda tüketici, 6502 sayılı Tüketici Korunması Hakkında Kanunun 11 inci maddesinde yer alan;

- Sözleşmeden dönme,
 - Satış bedelinden indirim isteme
 - Ücretsiz onarılmasını isteme
 - Satılanın ayıpsız bir misli ile değiştirilmesini isteme,
- haklarından birini kullanabilir.

-Tüketici, garantiden doğan haklarının kullanılması ile ilgili olarak çıkabilecek uyuşmazlıklarda yerleşim yerinin bulunduğu veya tüketici işleminin yapıldığı yerdeki Tüketici Hakem Heyetine veya Tüketici Mahkemesine başvurabilir.



WARRANTY REGISTRATION CARD

YOUR NAME/ الإسم

.....

YOUR ADDRESS العنوان

.....

.....

POSTCODE الرمز البريدي

DATE OF PURCHASE تاريخ الشراء

DEALER'S NAME & ADDRESS/ إسم و عنوان البائع

.....

.....

Large empty rounded rectangular box for additional information or signature.



