
English



String Trimmer GL200/GL300

User manual

Congratulations!

On your purchase of your Black & Decker string trimmer.

This user manual provides important operating and maintenance instructions for all of the string trimmers in the Black & Decker GL200/GL300 range.

Your trimmer has the following features for your benefit:

- Light body for ease and manoeuvrability.
- Switch guard to prevent accidental starting.
- Powerful motor to cope with most conditions.
- Sturdy guard for safety.

Know your trimmer



Read all of this manual carefully, observing all the recommended safety instructions before, during and after using your trimmer, and maintain your trimmer in good working order.

Familiarise yourself with the controls on your trimmer before attempting to operate it, but above all, be sure you know how to stop your trimmer in an emergency.

Retain this user manual and all other literature supplied with your trimmer for future reference.

Description

Following is a list of parts that will be mentioned in this user manual and are shown in the figures:

1. Body
2. Switch lever
3. Switch guard
4. Air slots
5. Nylon line
6. Guard
7. Line trimming blade
8. Spool housing
9. Square
10. Arrow
11. Ridge
12. Slot (Trimmer Body)
13. Spring finger
14. Spool
15. Guard screw hole

16. Slot (Spool housing)
17. Inner cover
18. Groove

Safety instructions

Training

- Never allow children or persons who are unfamiliar with this type of trimmer to use it, nor anyone who has not read this user manual.



- Do not allow children, animals or other persons near your trimmer when in use - always keep them at least 6m (20ft) away from the cutting area.
- Remember that the operator is responsible for accidents or hazards occurring to other people or their property.
- Your trimmer is designed for use on AC (mains) electrical supplies only - do not attempt to use it on any other supply.
- Plug your trimmer into a power point - never a lighting socket.
- Never carry your trimmer by the cable or jerk the cable to separate the connectors. Keep the cable away from heat sources, oils or sharp edges. Check the condition of your cable before use and do not use if damaged.

Preparation

- To protect your feet, always wear stout shoes or boots - freshly cut grass is damp and slippery.
- Rubber or man-made footwear will enhance your safety.
- Do not operate your trimmer barefoot or in open sandals.
- Use protective equipment. Wear safety spectacles or goggles whilst operating your trimmer. Use ear protection if the sound level seems uncomfortable when using your trimmer.
- Use a face mask if dusty.
- Wear long trousers to protect your legs - any debris left on the lawn or cutting path may be picked up and ejected by the line.
- The power supply cable should be regularly inspected for signs of damage or ageing, and only used if in good condition.



- Always keep the power supply cable away from the line - be aware of its position at all times.
- Always be sure your trimmer is in a safe operating condition.
- Always switch off and remove the plug if the supply cable has become damaged or entangled.
- Before using your trimmer, disconnect it from the electrical supply and visually check that the spool assembly is secure. Never fit metal cutting line or wire to your trimmer.
- Always check that your lawn or cutting path is clear of all sticks, stones, wire and other debris. Contact with such debris may be dangerous or may damage your trimmer.
- Take care against injury from the guard trimming blade.



Operation



- Your trimmer will continue to run for a short time after releasing the switch lever. Always allow your trimmer to stop on its own.
- Release the switch lever to turn your trimmer off and remove the plug from the mains:
 - Whenever you leave your trimmer unattended.
 - Before checking, cleaning, adjusting or working on your trimmer.
 - Before clearing a blockage.
 - If your trimmer starts to vibrate abnormally (check immediately).
 - After striking a foreign object, inspect your trimmer for damage and make repairs as necessary.
- Do not put hands or feet near or under rotating parts.
- Start your trimmer carefully according to the instructions and with your feet well away from the cutting line.
- Do not use your trimmer in the rain and do not allow it to get wet. Avoid using your trimmer in wet grass, if possible.
- Use your trimmer only in daylight or good artificial light.
- Do not cross gravel paths or roads whilst the line is rotating.
- Always be sure of your footing, particularly on slopes.
- Always cut across the face of slopes, never up and down.



- Exercise extreme caution when changing direction on slopes.
- Do not cut excessively steep slopes and always wear non-slip footwear.
- Walk, never run. Do not force your trimmer.
- Always use your trimmer in the manner outlined in this manual. Your trimmer is designed to be used in an upright position and if it is used in any other way it may result in injury. Never run your trimmer whilst it is lying on its side or upside down.
- Never operate your trimmer with defective guards or shields and always operate with the guard in position.

Maintenance and storage

- Store your trimmer in a dry place when not in use, out of the reach of children.
- Do not use solvents or cleaning fluids to clean your trimmer - use a blunt scraper to remove grass and dirt.
- Always disconnect from the electrical supply before cleaning.
- Do not operate your trimmer if any parts are defective; discard all defective parts and fit new parts before use.
- Keep all nuts, bolts and screws tight to be sure your trimmer is in a safe working condition.
- Use only Black & Decker recommended replacement parts and accessories.

Black & Decker's policy is one of continuous improvement to our products and, as such, we reserve the right to change product specifications without prior notice.

Double insulation



Your trimmer is double insulated. This means that all external metal parts are electrically isolated from the power supply. This is achieved by placing an extra insulation barrier between the electrical and mechanical parts. Double insulation means greater electrical safety and obviates the necessity of having your trimmer earthed.

Electrical safety (UK only)



Your trimmer should always be switched off at the mains before disconnecting any plug and socket connector or extension cables.

Fuse replacement

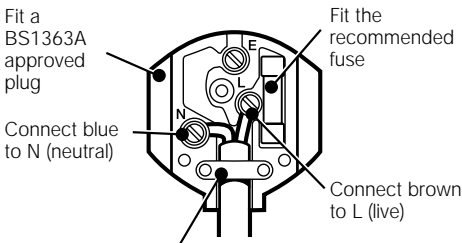
If your trimmer is supplied with cable fitted with a non-re-wireable plug:

- The plug is fitted with a 5 amp fuse which is the recommended fuse for your trimmer.
- Only use replacement fuses which are approved to BS1362.
- When changing the fuse in your plug, always ensure the fuse cover is refitted. If the fuse cover is missing or damaged do not use the plug.

Note: Fuses do not give personal protection against electric shock.

Plug replacement

- Disconnect the plug from the supply.
- Cut off the plug and dispose of immediately. Insertion of a detached plug into a 13 amp socket outlet may result in electric shock.
- Only fit BS1363A approved plugs fitted with the correctly rated fuse.
- The cable wire colours, or a letter, will be marked at the connection points of most good quality plugs. Attach the wires to their respective points in the plug (see below). Brown is for "Live" (L) and blue is for "Neutral" (N).
- Before replacing the top cover of the mains plug ensure that the cable restraint is holding the outer sheath on the cable firmly and that the two leads are correctly fixed at the terminal screws.



Make sure that the outer sheath of the cable is held firmly by the clamp



240 volts AC only.
Never use a light socket



Warning! Never connect live or neutral wires to the earth pin marked "E" or \perp .

Note: Do not wire an extension cable directly into your trimmer yourself. Instead, take your

trimmer to your nearest Black & Decker service agent.

Increased safety can be obtained by having a qualified electrician install a high sensitivity (30mA) circuit breaker in the house wiring. If you do not have such a circuit breaker installed, or you do not wish to have one installed, then we strongly recommend that the electrical power to your trimmer be supplied through a high sensitivity residual current device (RCD). The RCD is designed to provide a high degree of personal protection against harmful electric current should fault conditions occur.



Warning! The use of an RCD or other circuit breaker unit does not release the operator of your trimmer from the safety instructions and safe working practices given in this manual.

The following five sections only refer to products supplied without a cable.

Cable connection system (UK only)

Black & Decker continually make every effort to achieve the highest standards in performance, quality and reliability and recommend the use of a new outdoor cable connection system.

The new system gives additional protection against the possibility of water or moisture entering into the cable connector during normal use.

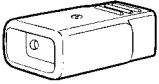
Note: The new connection system does not release the operator of the machine from the safety precautions and safe working practices given in this user manual. Particular attention is drawn to the coupler system as being "weather resistant" and not suitable for immersion, submersion or being subjected to water jets. Care should be taken to prevent the cable from lying or trailing through pools of water or from splashing with hose pipes.

The new cable system is available in various lengths through most major DIY retail outlets:

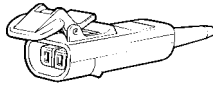
A6615	20m heavy duty cable, new socket 13 amp plug
A6616	20m heavy duty cable, new socket 13 amp plug and cable tidy system
A6617	30m heavy duty cable, new socket 13 amp plug and cable tidy system

Existing cable systems (UK only)

If you already own an outdoor cable system, we recommend that you replace the existing 'female' cable connector with the new 'female' connector (see opposite) which is supplied loose in the carton. (Please read the section entitled "Fitting the 'female' connector".)



old 'female' connector

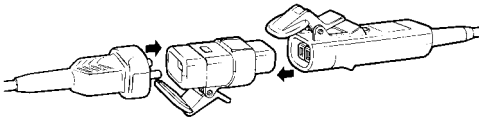


new 'female' connector

Should you wish to convert more than one cable system, the new female connector is available as an accessory from most major DIY retail outlets and from Black & Decker service agents (cat. no. A6624S).

Existing powered garden tools (UK only)

To connect existing Black & Decker garden power tools to the new system you will require an adaptor (see below). This is available as an accessory from most major DIY retail outlets (cat. no. A6623S).



Warning! This adaptor is only suitable for products rated up to 500W.

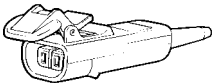
It is **not** recommended for use with the following:

- Hover mowers
- Rotary mowers with grass collection
- Chainsaws
- Shredders
- Blowervacs.

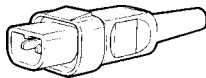
Please contact your local service agent should you require further advice.

Fitting your own extension cable (UK only)

- When fitting your own extension cable fit a 13 amp plug (see "Fitting the mains plug") to one end of the cable and a 'female' connector (supplied loose in the carton) to the other end (see opposite). For wiring instructions see the following sections.
- A 'male' connector is already attached to the electrical supply cable on your mower and is designed to be non-rewireable (see opposite). *This should not be removed.* Should the cable and plug become damaged or need replacing, please return your mower to your local Black & Decker service agent.



'female' connector

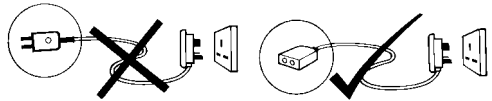


'male' connector



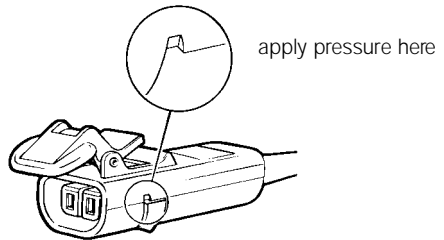
Warning! Never wire an extension cable with anything other than the 'female' connector supplied and a 13 amp BS1363A approved

plug with the recommended fuse. **Never wire a 'male' connector to your extension cable and never wire an extension cable with a plug of any kind at each end of the cable.** This is extremely dangerous and results in the pins being live which may cause a fatal electric shock.



Fitting the 'female' connector (UK only)

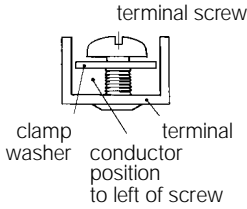
To remove the cover, unscrew the fixing screw until it is free of the nut which is located in the hexagonal recess on the underside of the connector. *Take care not to lose the nut if it falls out.* There is no need to completely remove the fixing screw as it is intended to remain captive in the cover. The cover can now be removed by applying pressure as shown below.



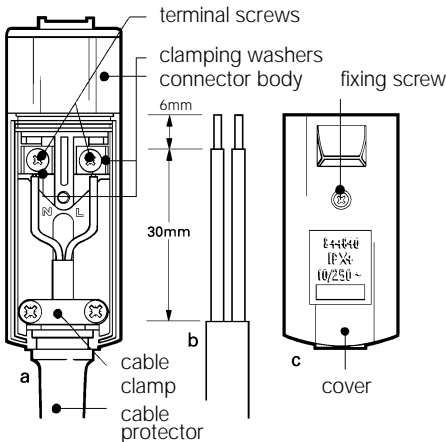
The extension cable contains two wires which are colour coded for easy recognition; brown is for 'Live' (L) and blue is for 'Neutral' (N). The female connector is marked 'L' for live and 'N' for neutral. These markings are located inside the body near the terminal screws (see opposite, figure a). With the connector cover removed, lift out the cable protector and proceed as follows:

- Pass the cable through from the narrow end of the cable protector (see opposite, figure a).
- Prepare the cable ends to the specified strip lengths (see opposite, figure b).
- Remove cable clamp (see opposite, figure a). Take care of loose parts.
- To connect the extension cable to the connector terminals, unscrew the terminal screws until the clamp washers have lifted just enough to enter the conductor between the raised washer and the terminal (see below). Connect the brown lead to 'L' and the blue lead to 'N'.

Note: There is no need to remove the terminal screws. Connections are not to be made under the screw heads.



- Locate the cable and cable protector into the body correctly (see below, figure a). Then fit the cable clamp over the outer sheath of the cable and screw down until the screws are fully home. Failure to do this may result in the cover not fitting correctly to the connector body.
- Before replacing the cover of the 'female' connector make sure that the cable clamp is holding the outer sheath of the cable firmly with screws fully home and that the two leads are correctly fixed at the terminal screws and are not taut (see below, figure a).
- Place the cover onto the body assembly ensuring that it seats flat, then retighten the fixing screw into the nut until the cover is securely held (see below, figure c).
- Finally check that the cable protector is secure and that there are no gaps between the cover and the connector body.



Preparing your trimmer for use (Fig. B - D)

- Take your trimmer, guard and parts pack out of the box.
- Remove the guard screw from the parts pack.

- B** • Place the guard over the spool housing on your trimmer taking care that the line does not become stuck between the two parts.
- C** • Align the square marking on the guard with the square marking on your trimmer body and push the guard upwards until it almost contacts the underside of the body. Now turn the guard in the direction indicated by the arrow.
- D** • The guard is secure when the ridges on the guard have fitted into the slots in the body, and the spring finger has located.
- Once the guard is in position, secure the guard screw which goes through the guard screw hole and into screw boss in the body.
- To avoid damage in transit, the spool has been packed in a polythene bag.

Assembling the spool (Fig. E)

- E** • Thread the line through the hole in the inner cover and then unclip the line from the groove in the top face of the spool.
- Place the inner cover on the spool.
- Ensure that sufficient line is threaded through the hole in the inner cover before fitting the spool to the spool carrier.
- Grip the spool with one hand and the spool carrier with the other. Fit the spool by pushing down in the direction of arrow (a) and twisting clockwise in the direction of arrow (b) until you feel it click into position.

How to use your trimmer (Figs. 1 - 8)

To switch on your trimmer press the switch lever. To switch off your trimmer, release the switch lever.

In order to get the most from your trimmer please learn the following techniques. Do not be impatient, you will obtain the best results by experience and by following these simple rules.

- 1 Do not use your trimmer without its guard.
- 2 Do not cut wet grass, best results are achieved when the grass is dry.
- 3 Cut at an angle and with the tip of the nylon line. Your trimmer is balanced to operate at this angle.
- 4 Swing your trimmer gently from side to side.

- 5 Do not overload your trimmer. It operates best at high speeds.
- 6 On long grass, start at the top.
- 7 Take small cuts.
- 8 If your trimmer features a cord restraint, loop a length of cord through the restraint to prevent the plug and socket coming apart accidentally if the cord is pulled.

Feeding out more nylon line (Fig. F)

Note: There must be a minimum of 5cm (2 inches) of nylon line protruding from the spool cover before your manual-feed trimmer is operated:

- Hold the spool housing firmly with one hand, and the nylon line with the other, then pull the nylon line out of the slot.
- Pull the nylon line out of the spool housing in the direction of arrow (a).
- Continue to pull the nylon line out of the spool housing, in the direction of arrow (b), until there is sufficient line to reach the edge of the guard, then pull the nylon line down into the next slot in the spool housing as indicated by arrow (c).

Note: When your trimmer is operated for the first time, any excess line will be cut off by the blade housed in the guard. This is also the case for any subsequent line adjustment. Because line cut off by the trimming blade in the guard may be ejected, it is important that the amount of excess line is kept to a minimum. Where an excessive amount of line is pulled out, the line should be cut back to the outside of the guard before switching on your trimmer.

- Your manual feed trimmer is now ready for use.

Fitting a new spool of nylon line (Fig. G)

- Remove the spool and inner cover by pushing down and turning anticlockwise in the direction of arrow.

Fit a new, full spool as described in 'Assembling the spool cover'. Alternatively, fit new nylon line to the empty spool as follows:

- Locate one end of the nylon line in one of the grooves in the spool and wind the line on to the spool in the direction of the arrow (anti-clockwise) until it is full.

- Fit the inner cover onto the spool and fit the spool onto your trimmer as described in 'Assembling the spool cover'.

Replacement line

A new spool containing 5.5 metres of nylon line may be purchased from your Black & Decker agent. Alternatively, replacement lines containing 25 to 50 metres of line are available.

For maximum reliability never put on a heavier or lighter line (eg. fishing line) which will cause motor failure or reduce cutting performance.

Care and maintenance

- For the best performance, please keep the nylon line, spool and air slots in your trimmer body clean. Use a dry brush or cloth to remove grass, sap or other dirt.
- Plastic parts may be cleaned by using a mild soap and a cloth dampened with hot water. Do not use any other type of detergent, cleaner or solvent which might contain chemicals that could seriously damage the plastic. Do not spray your trimmer with water.
- Self lubricating bearings are used in this tool and so lubrication is not required.

Fault finding

Before checking your trimmer for any faults, disconnect it from the mains.

- If your trimmer vibrates, remove the spool and replace it in a new position. If this does not cure the problem try removing the spool and rewinding the nylon line more tightly on the spool before replacing it.
- If your trimmer will not start check that all power cables are properly connected. If this does not work, check your power point then check the fuse and wiring on the cable extension plug and female connector.

What to do if your string trimmer needs repair

For after sales service please refer to the section 'Lawnmowers & Garden' within your local Yellow Pages.

Unwanted products and the environment



Should you find one day that your trimmer needs replacement, or is of no further use to you, think of the protection of the environment. Black & Decker service agents will accept your old trimmer and will dispose of it in an environmentally safe way.

Black & Decker lawn and garden guarantee

If your Black & Decker trimmer becomes defective, within the guarantee period, due to faulty materials and workmanship, we guarantee to either replace all defective parts, or at our discretion, replace your trimmer free of charge, provided that:

- Your trimmer is returned to one of our authorised repair agents with evidence of purchase.
- Your trimmer has been used within the parameters of its consumer classification.
- Your trimmer has not been used for hire purposes.
- Repairs have not been attempted by anyone other than our authorised repair agents.
- The failure represents normal wear and tear.

This guarantee is offered as an extra benefit and is additional to your statutory rights.

Our guarantee policy

Failure due to the following are not covered:

- Replacing worn or damaged blades, nylon line and chains, or cables damaged during storage or use. These are regarded as replacement items which wear during normal usage.
- Failure as a result of sudden impact or obvious abuse.
- Failure due to usage not in accordance with instructions and recommendations contained in this manual.

The use of other than genuine Black & Decker accessories and parts may damage or reduce the performance of your Black & Decker trimmer and may render the guarantee void.

Black & Decker after sales service (UK, Australia and New Zealand only)

Black & Decker offers a nationwide network of authorised service agents. The use of other than

genuine Black & Decker accessories and parts may damage or reduce the performance of your Black & Decker product and may also endanger the user. The terms and conditions of the warranty may also be effected.

It is our aim that all Black & Decker customers should be totally satisfied with their Black & Decker product and after sales service, if help or advice is needed please contact a local Black & Decker authorised repair agent who will be happy to help. Full details of our after sales service can be obtained from any of our Black & Decker authorised repair agents.

This user manual contains a full directory and parts drawing.

Other Black & Decker products (UK only)

Black & Decker has a full range of outdoor power tools that make life easy in the garden. If you would like further information on other products, please contact the Black & Decker Service Information Centre at the address towards the back of this manual, or contact your Black & Decker stockist.

Lawnmowers	String trimmers
Chainsaws	Lawnrakers
Compost shredders	Leafbusters
Blade trimmers	Cordless brooms
Cordless trimsaws	Cordless shrubbers
Cordless shears	Hedgetrimmers

EC Declaration of Conformity

We declare that units:

GL200, GL300, GL320, GL325, GL330, GL335, GL555, GL565, ST20, ST22, ST23, ST25, ST32

conform to: 89/392/EEC, 89/336/EEC, 73/23/EEC, EN55014, EN55104, EN60335

A weighted sound pressure 95dB (A)

A weighted sound power 108dB (A)

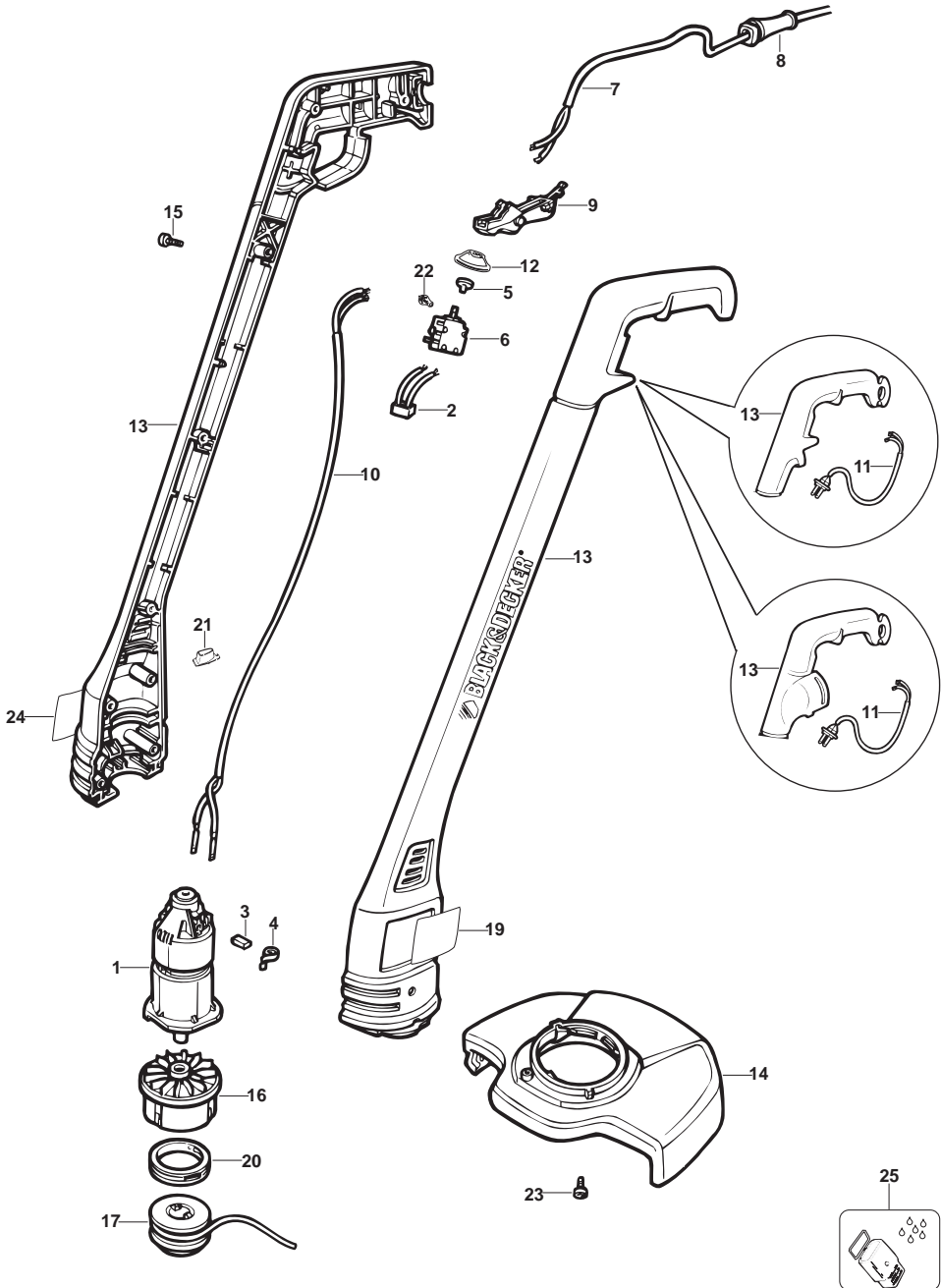
Hand/arm weighted vibration <2.5m/s²

A handwritten signature in black ink that reads "Brian Cooke".

Brian Cooke

Director of Engineering

Spennymoor, County Durham DL16 6JG
United Kingdom



Australia	Black & Decker (A'asia) Pty Ltd 286-288 Maroondah Highway, North Croydon, Victoria 3136	Tel: 03 9213 8200 Fax: 03 9726 7150
New Zealand	Black & Decker 483 Great South Road, Penrose, Auckland	Tel: 09 579 7600 Fax: 09 579 8200
South Africa	Black & Decker South Africa (Pty) Ltd Suite no 107, PostNet X65, Halfway House 1685	Tel: 011 314 4431 Fax: 011 314 4435
United Kingdom	Black & Decker 210 Bath Road, Slough Berkshire SL1 3YD	Tel: 01753 574277 Tlx: 848317 BAND MH Fax: 01753 551155



Address of the dealer where your string trimmer was purchased:

Date of your purchase:

Name: _____

House number or name and street: _____

Town: _____

County or state: _____

Postcode: _____

Country: _____

Product catalogue number: GL____/____

Data protection act: Tick this box if you prefer **not** to receive information from Black & Decker or other companies.

Yes No

Was your string trimmer a gift?

Was your string trimmer your first purchase?

Was your string trimmer bought as a replacement?

What was the price of your string trimmer? _____

Address of the dealer where your string trimmer was purchased:

GUARANTEE CARD

South Africa: Black & Decker South Africa (Pty) Ltd, Suite no 107, PostNet X65, Halfway House 1685

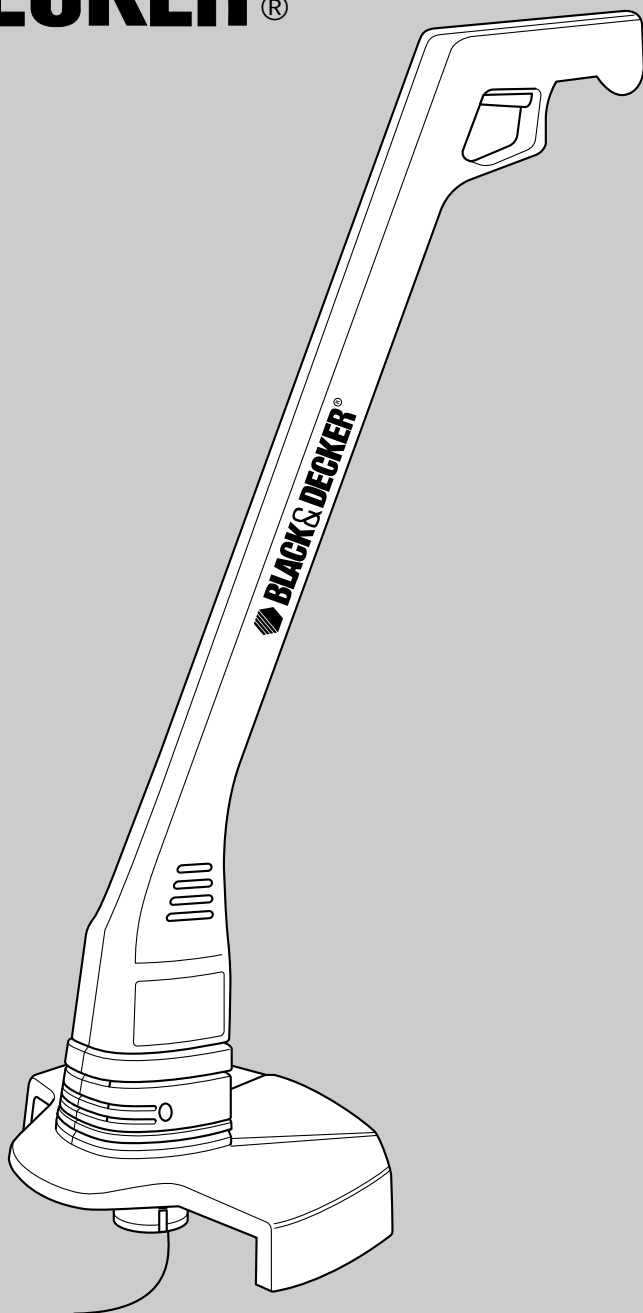
United Kingdom & Ireland: PO Box 821, Slough, Berkshire, SL1 3AR



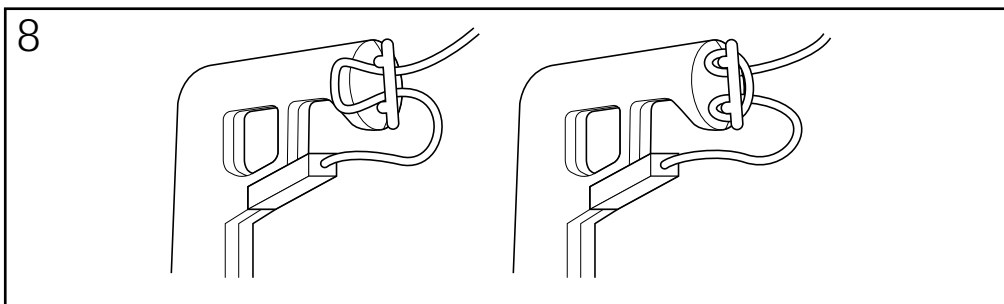
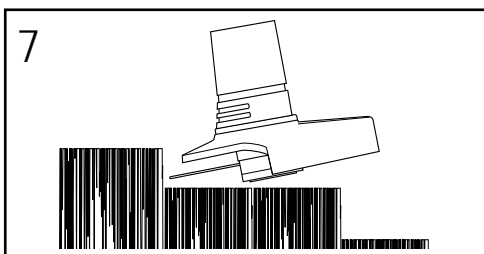
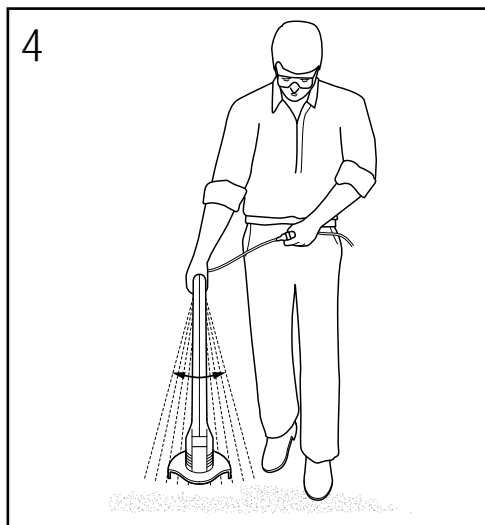
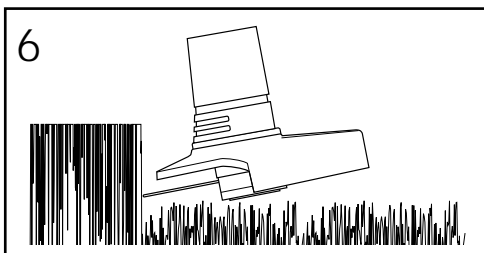
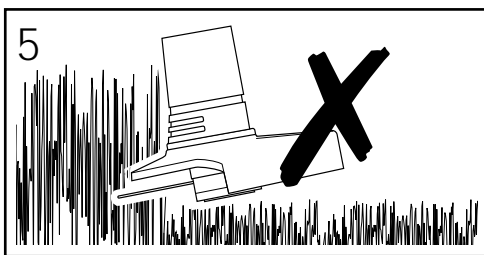
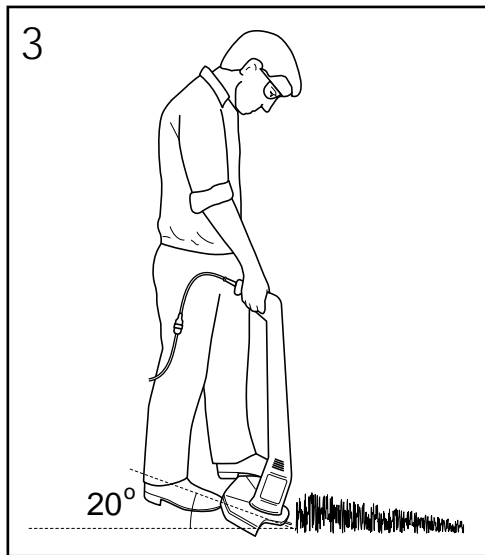
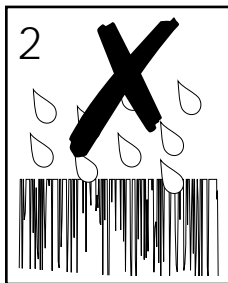
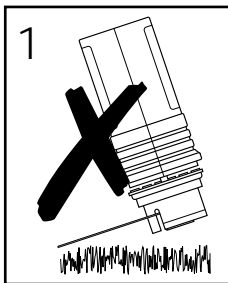
Please complete this section immediately after the purchase of your string trimmer and post it to the Black & Decker address in your country (above).

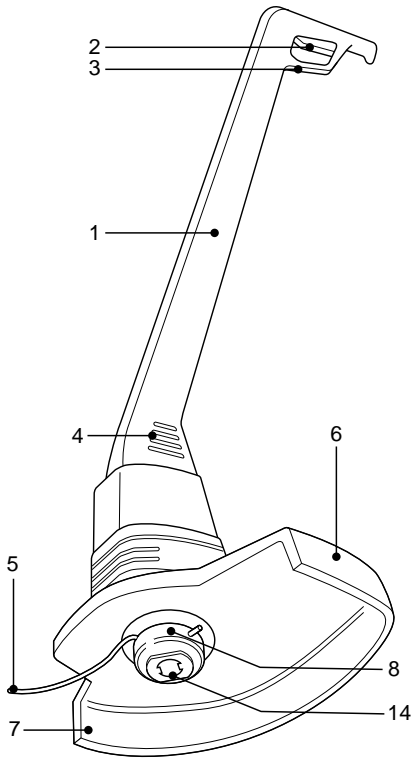
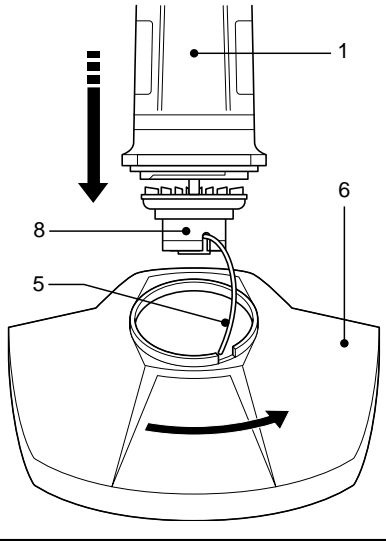
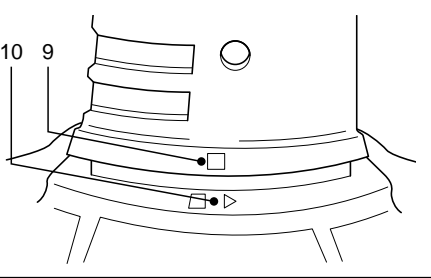
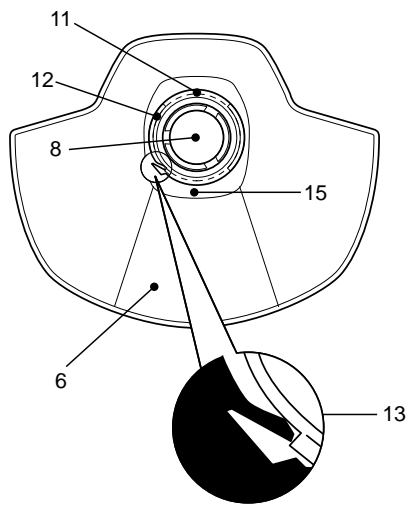
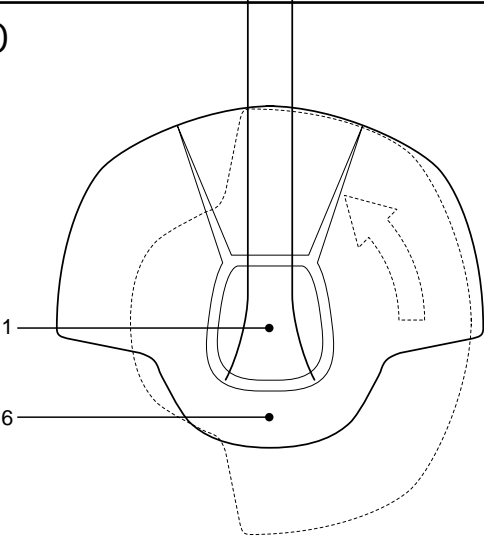
If you live in Australia or New Zealand, please register your purchase by using the alternative guarantee card supplied in the carton.

 **BLACK &
DECKER®**

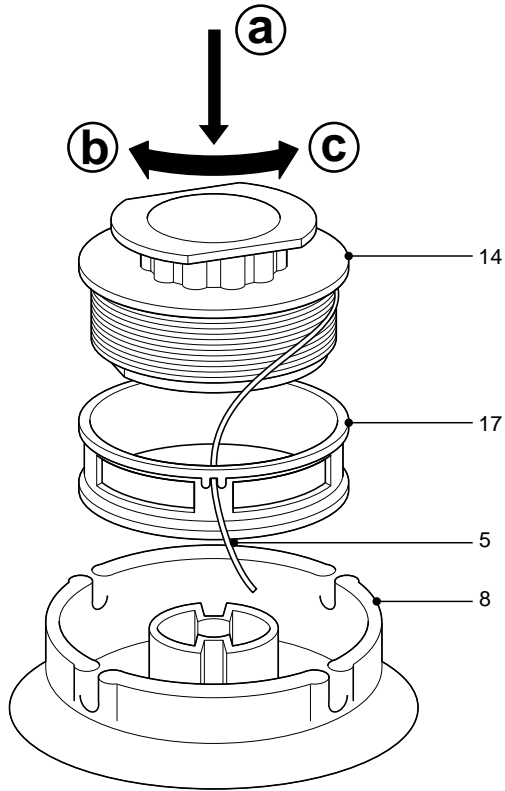


GL200
GL300

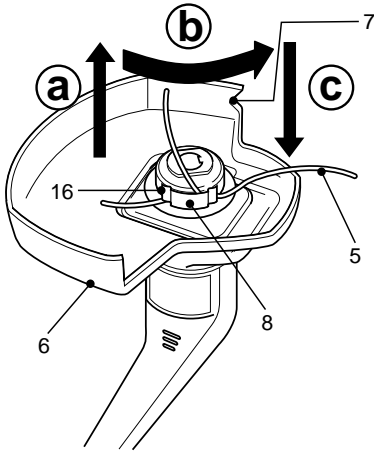


A**B****C****D**

E



F



G

