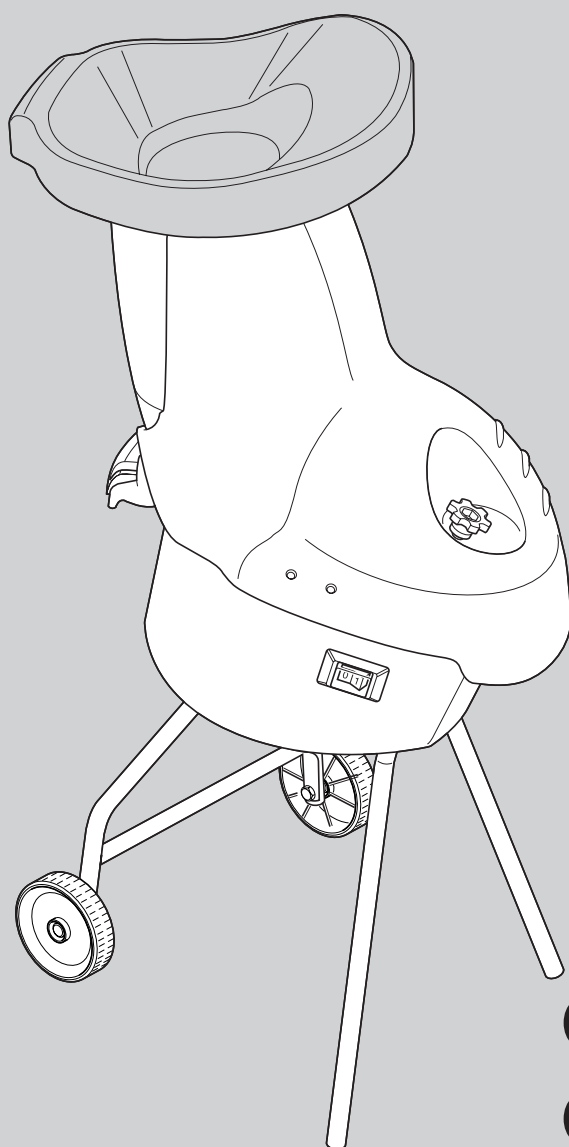




 **BLACK &  
DECKER**®

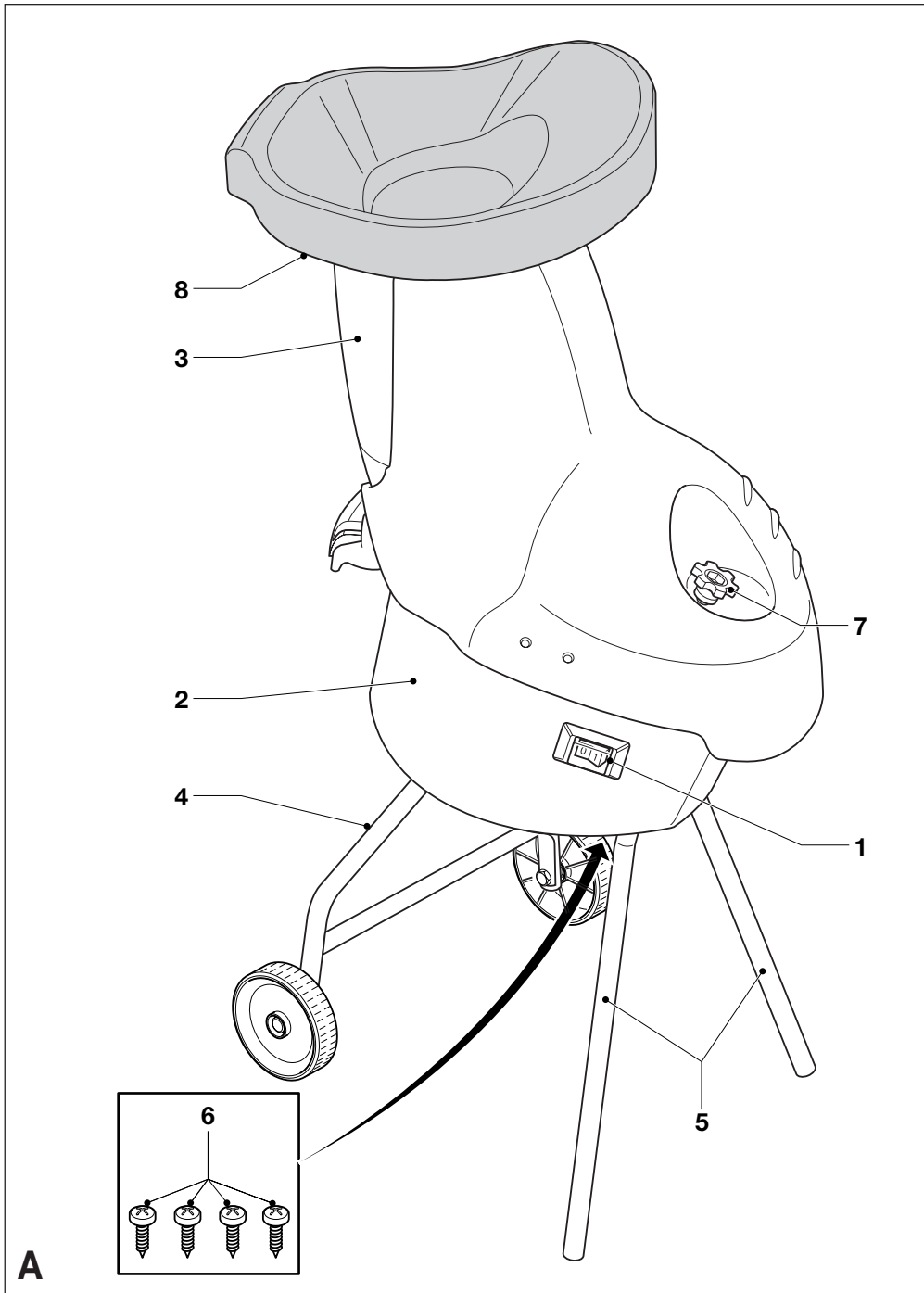


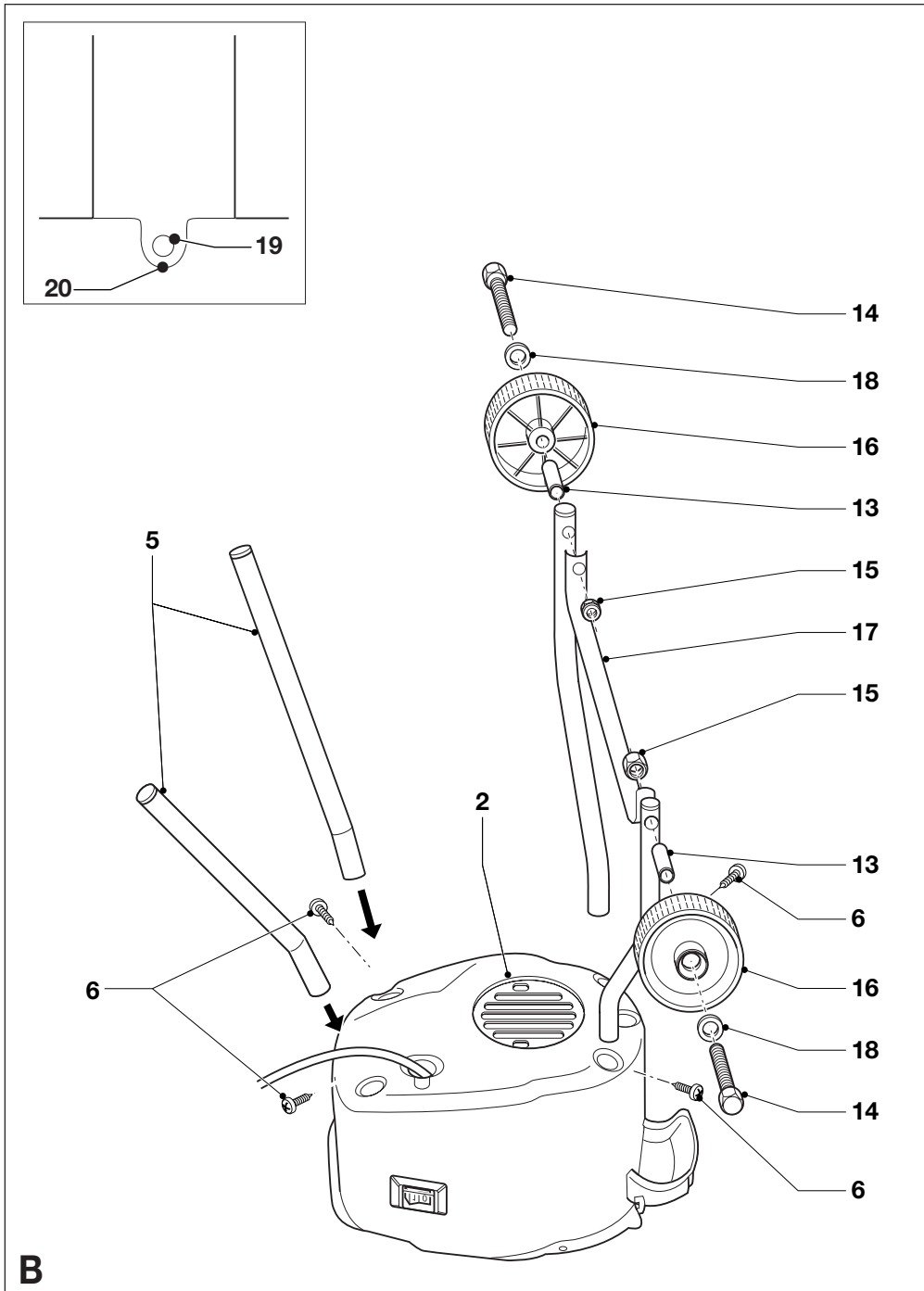
**GS1600**  
**GS1800**

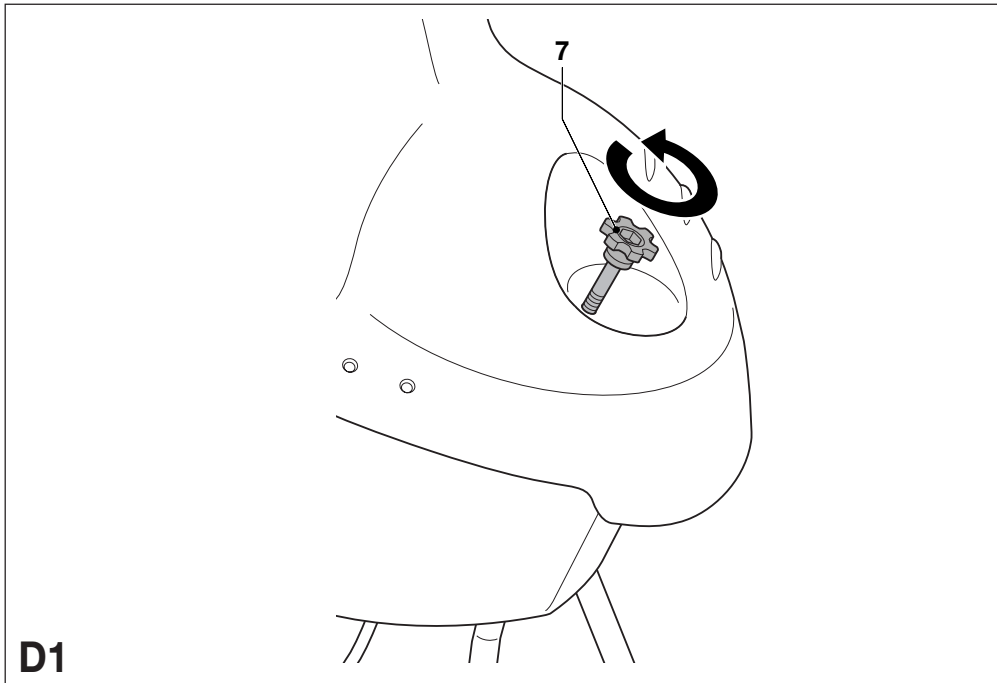
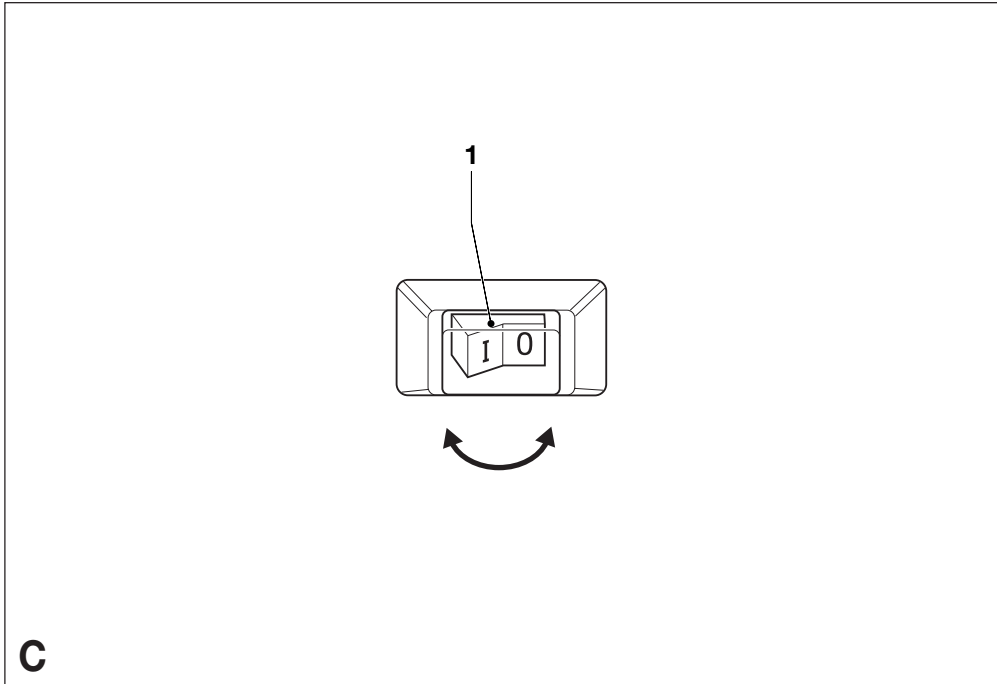


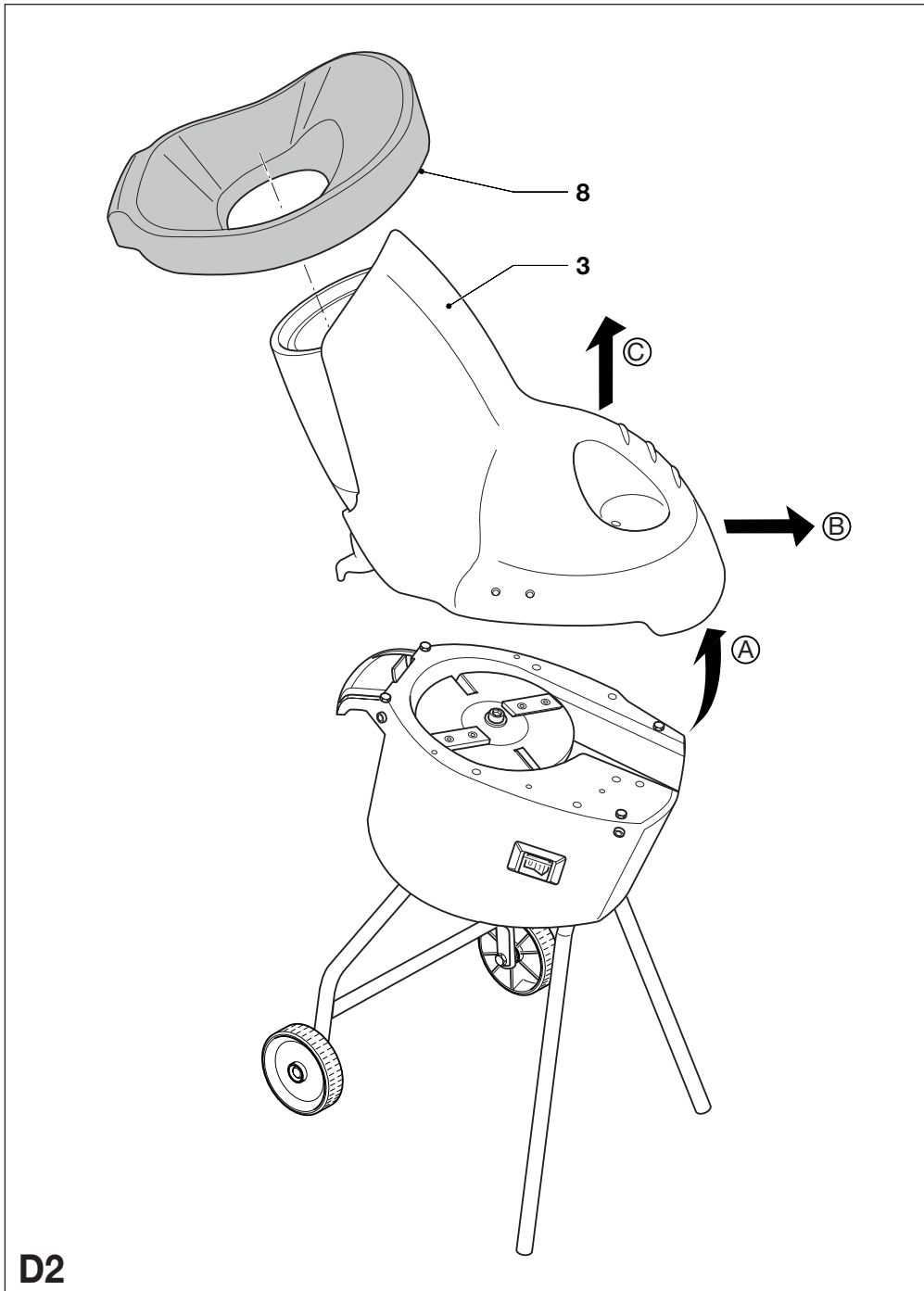
Copyright Black & Decker

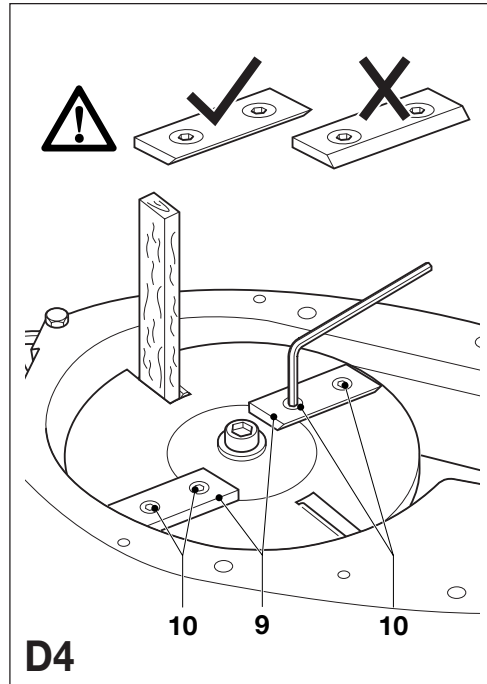
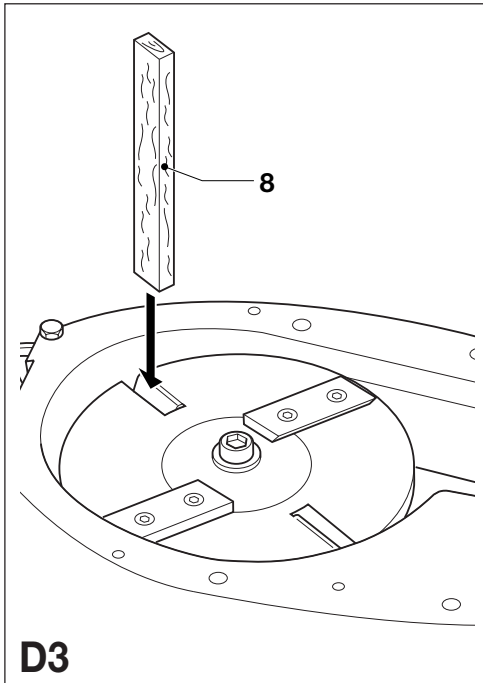














## ENGLISH

# SHREDDER GS1600/GS1800

### CONGRATULATIONS!

You have chosen a Black & Decker tool. Our aim is to provide quality tools at an affordable price. We hope that you will enjoy using this tool for many years.

### EC DECLARATION OF CONFORMITY



GS1600/GS1800

Black & Decker declares that these products conform to: 98/37/EC, 89/336/EEC, 73/23/EEC, DIN VDE 0730, DIN 11004

Level of sound pressure, measured according to DIN 11004:

		GS1600	GS1800
L <sub>pA</sub> (sound pressure)	dB(A)	88.1	88.1
L <sub>WA</sub> (acoustic power)	dB(A)	109.4	109.4



Always wear ear protection if the sound pressure exceeds 85 dB(A).

Hand/arm weighted vibration value according to DIN 11004:

	GS1600	GS1800
	4.6 m/s <sup>2</sup>	4.6 m/s <sup>2</sup>

*Sowe*

Brian Cooke  
Director of Engineering  
Spennymoor, County Durham DL16 6JG,  
United Kingdom

### INTENDED USE

Your Black & Decker garden shredder GS1600/ GS1800 has been designed for shredding most kitchen and garden waste, including prunings, hedge trimmings, twigs and other organic garden waste as well as paper and cardboard. The shredded waste is ideal for composting purposes or to obtain a smaller volume of waste for easy disposal. This garden shredder is intended for consumer use only. It is intended for intermittent use: the recommended material feed time is 40% of the total run time of the shredder. Selecting and picking up the material will normally provide a sufficient idle time.

### SAFETY INSTRUCTIONS

#### Warning symbols

The following symbols are used in this manual:



Denotes risk of personal injury, loss of life or damage to the tool in case of non-observance of the instructions in this manual.



Denotes risk of electric shock.



Read the manual prior to operation.

#### Know your tool



- ◆ **Warning!** When using mains-powered tools, basic safety precautions, including the following, should always be followed to reduce the risk of fire, electric shock, personal injury and material damage.
- ◆ Read all of this manual carefully before operating the tool.
- ◆ Before operating the tool, make sure that you know how to switch the tool off in an emergency.
- ◆ Retain this manual for future reference.





### General

#### 1. Consider work area environment

Do not expose the tool to rain. Do not use the tool in damp or wet conditions. Keep the work area well lit. Do not use the tool where there is a risk of causing fire or explosion, i.e. in the presence of flammable liquids and gases. Keep the work area free from debris and obstacles.

#### 2. Keep children away

Do not allow children, visitors or animals to come near the work area or to touch the tool or mains cable.

#### 3. Dress properly

Do not wear loose clothing or jewellery, as these can be caught in moving parts. Preferably wear rubber gloves and non-slip footwear when working outdoors. Wear protective hair covering to keep long hair out of the way.

#### 4. Personal protection

Always use safety glasses. Use a face or dust mask whenever the operations may produce dust or flying particles. Wear ear protection whenever the sound level seems uncomfortable.

#### 5. Guard against electric shock

Prevent body contact with earthed or grounded surfaces (e.g. metal railings, lamp-posts etc.). Electric safety can be further improved by using a high-sensitivity (30 mA/30 mS) residual current device (RCD).

#### 6. Do not overreach

Keep proper footing and balance at all times.

#### 7. Stay alert

Watch what you are doing. Use common sense. Do not operate the tool when you are tired.

#### 8. Secure workpiece

Where appropriate, use clamps or a vice to hold the workpiece. It is safer and it frees both hands to operate the tool.

#### 9. Remove keys and adjusting wrenches

Always check that keys and adjusting wrenches are removed from the tool before operating the tool.

#### 10. Extension cables

Before use, inspect the extension cable and replace if damaged. Only use extension cables intended for outdoor use.

#### 11. Use appropriate tool

The intended use is described in this instruction manual. Do not force small tools or attachments to do the job of a heavy-duty tool. The tool will do the job better and safer at the rate for which it was intended. Do not force the tool.

**Warning!** The use of any accessory or attachment or performance of any operation with this tool other than those recommended in this instruction manual may present a risk of personal injury.

#### 12. Check for damaged parts

Before use, carefully check the tool and mains cable for damage. Check for misalignment and seizure of moving parts, breakage of parts, damage to guards and switches and any other conditions that may affect its operation. Ensure that the tool will operate properly and perform its intended function. Do not use the tool if any part is damaged or defective. Do not use the tool if the switch does not turn it on and off. Have any damaged or defective parts repaired or replaced by an authorised repair agent. Never attempt any repairs yourself. If the supply cord is damaged, it must be replaced by the manufacturer or its service agent or a similarly qualified person in order to avoid a hazard.

#### 13. Unplug the tool

Unplug the tool when it is not in use, before changing any parts of the tool, accessories or attachments and before servicing.

#### 14. Avoid unintentional starting

Do not carry the tool with a finger on the on/off switch. Be sure that the tool is switched off when plugging in.

#### 15. Do not abuse cord

Never carry the tool by its cord or pull it to disconnect from the socket. Keep the cord away from heat, oil and sharp edges.

#### 16. Store idle tools

When not in use, tools should be stored in a dry, locked up or high place, out of reach of children.

#### 17. Maintain tools with care

Keep cutting tools sharp and clean for better and safer performance. Follow the instructions for maintenance and changing accessories. Keep handles and switches dry, clean and free from oil and grease.



## ENGLISH

### 18. Repairs

This tool complies with relevant safety requirements. Repairs should only be carried out by qualified persons using original spare parts; otherwise this may result in considerable danger to the user.

#### Additional safety instructions for shredders



Read the manual prior to operation.



Danger - rotating blades. Keep hands and feet out of openings.



Never operate the shredder unless the chute is in place and securely fastened.



Do not expose the tool to rain.



Never put your hands in the blade area while the blades are running or the shredder is plugged in. The blades will keep running for a few seconds after the shredder has been switched off.



Wear safety glasses or goggles when operating this tool.



Wear ear protection when operating this tool.



Wear gloves when operating this tool.



Before performing any maintenance, switch off and unplug the tool.

- ◆ Before use, ensure that the tool is placed on a firm and level surface.

- ◆ Never look directly into the outlet while the shredder is running, as loose debris may be ejected.
- ◆ Never attempt to shred bones, stone, glass, metal, plastics or rags.
- ◆ Do not allow children or any person who has not read this instruction manual or who is not familiar with the tool to operate it.
- ◆ Remember that the operator may be held responsible for accidents or hazards occurring to other people or their property.

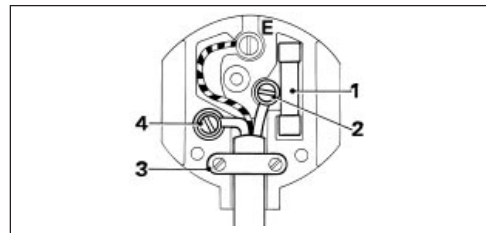
#### ELECTRICAL SAFETY

The electric motor has been designed for one voltage only. Always check that the power supply corresponds to the voltage on the rating plate.



This product must be earthed.

#### Mains plug replacement (U.K. & Ireland only)



- ◆ Should your mains plug need replacing and you are competent to do this, proceed as instructed below. If you are in doubt, contact an authorised repair agent or a qualified electrician.
- ◆ Disconnect the plug from the supply and remove the fuse from the plug.
- ◆ Cut off the plug and dispose of it safely; a plug with bared copper conductors is dangerous if engaged in a live socket outlet.
- ◆ Only fit 13 Amperes BS1363A approved plugs fitted with the correctly rated fuse (1). Only fit 13 Amperes fuses.
- ◆ The cable wire colours, or a letter, will be marked at the connection points of most good quality plugs. Attach the wires to their respective points in the plug (see above). Brown is for Live (L) (2), blue is for Neutral (N) (4) and green/yellow is for Earth (E).



## ENGLISH

- ◆ The earth wire should be of a length to ensure that in the event of the cable being pulled from the plug, the earth wire is the last to break contact.
- ◆ Before replacing the top cover of the mains plug ensure that the cable restraint (3) is holding the outer sheath of the cable firmly and that the leads are correctly fixed at the terminal screws.
- ◆ If the plug has a fuse cover, make sure that the fuse cover is fitted. Do not use the plug if the fuse cover is missing or damaged.



Never use a light socket.

### Using an extension cable

Always use an approved 3-core extension cable suitable for the power input of this tool (see technical data). The extension cable must be suitable for outdoor use and marked accordingly. When using a cable reel, always unwind the cable completely.

### CARTON CONTENTS

The carton contains:

- 1 Shredder body with chute
- 4 Legs
- 4 Leg retaining screws
- 1 Allen key
- 1 Spanner
- 1 Funnel
- 1 Prodder
- 1 Crossbar
- 2 Sleeves
- 2 Bolts
- 2 Nuts
- 2 Washers
- 2 Wheels
- 1 Instruction manual

- ◆ Carefully unpack all parts.

### OVERVIEW (fig. A)

1. On/off switch
2. Body
3. Chute
4. Rear leg assembly

5. Front legs
6. Leg retaining screws
7. Thumb nut
8. Funnel

### ASSEMBLY



Before assembly, make sure that the tool is switched off and unplugged.

### Fitting the legs (fig. B, D1 & D2)

- ◆ Loosen the thumb nut (7) and remove the chute (3) (fig. D1 & D2).
- ◆ Turn the shredder upside down and place it on the floor.
- ◆ Insert the rear legs (4) into the corresponding openings in the body (2) as shown (fig. B). Align the screw hole (19) with the bottom of the slot (20).
- ◆ Secure each of the legs with a retaining screw (6).
- ◆ Mount the wheels (16) and crossbar (17) onto the legs, using the sleeves (13), bolts (14), nuts (15) and washers (18) as shown.
- ◆ Insert the front legs (5) into the corresponding openings in the body (2) as shown. Align the screw hole (19) with the bottom of the slot (20).
- ◆ Secure each of the legs with a retaining screw (6).
- ◆ Turn the shredder into the upright position and refit the chute. Securely tighten the thumb nut.

### Fitting the funnel (fig. D2)

- ◆ Align the funnel (8) with the chute as shown.
- ◆ Press the funnel down onto the chute (3) until it snaps into place.

### USE



- ◆ Let the tool work at its own pace. Do not overload.
- ◆ Before starting the tool ensure that the feed intake is empty.
- ◆ Do not switch the shredder off before it is completely empty, as it may clog and be difficult to restart.
- ◆ Remove soil and stones from plant roots before shredding.
- ◆ Firmly hold branches when feeding them into the shredder.



## ENGLISH

### Switching on and off (fig. C)

- ◆ To switch the tool on, set the on/off switch (1) to position I.
- ◆ To switch the tool off, set the on/off switch to position O.

### Hints for optimum use

- ◆ Shred dry materials last, as this will help to clear moist material from the shredder.
- ◆ Do not allow material to pile up and compost prior to shredding.
- ◆ You may feed shreds into the shredder for a second time to further reduce their volume.
- ◆ Refer to the chart at the end of this text.

## MAINTENANCE

Your Black & Decker tool has been designed to operate over a long period of time with a minimum of maintenance. Continuous satisfactory operation depends upon proper tool care and regular cleaning.



Before performing any maintenance, switch off and unplug the tool.

- ◆ After use, open the chute as described below. Clean and dry the casing and the blade area. Avoid the blades.
- ◆ Store the tool in a dry place, out of children's reach.
- ◆ Regularly check that the blades are sharp. Replacement blades are available from Black & Decker repair agents (cat. no. A6206). To replace blades, proceed as instructed below.

### Removing the chute (fig. D1 & D2)

You will need to remove the chute to obtain access to the blade area.



Make sure that the tool is switched off and unplugged.

- ◆ Loosen the thumb nut (7).
- ◆ Tilt the chute (3) backover (A), slide it forward (B) and lift it upward (C).
- ◆ To replace the chute, proceed in reverse order.

### Replacing the blades (fig. D1 - D4)

The blades can be used on both sides. When one side has become blunt, you may use the other side.



- ◆ Make sure that the tool is switched off and unplugged.
- ◆ Take care not to cut yourself. Preferably wear gloves.

### Removing

- ◆ Remove the chute as described above.
- ◆ Lock the blade disc using a block of wood (10) as shown (fig. D3).
- ◆ Remove the blades (11) by loosening the Allen screws (12) using the Allen key provided (fig. D4).

### Refitting

To refit the blades:

- ◆ Place the blades on the disc with the ground edge facing down. The holes in the blades must line up with those in the disc.
- ◆ Securely fasten the blades (11) by tightening the Allen screws (12).
- ◆ Remove the block of wood (10).
- ◆ Replace the chute (3) and tighten the thumb nut (7) (fig. D1 & D2).

### Restarting a clogged shredder

If the motor is overloaded, the tool will automatically be switched off.

- ◆ Allow the motor to cool down for a few minutes.

If the motor still refuses to start:



- ◆ Make sure that the tool is switched off and unplugged.
- ◆ Take care not to cut yourself. Preferably wear gloves.

- ◆ Remove the chute as described above.
- ◆ Carefully remove all material from the shredder.
- ◆ Replace the chute as described above.
- ◆ Plug the tool in and switch it on.





## ENGLISH

### PROTECTING THE ENVIRONMENT



Should you find one day that your tool needs replacement, or if it is of no further use to you, think of the protection of the environment. Black & Decker repair agents will accept old Black & Decker tools and ensure that they are disposed of in an environmentally safe way.

- ◆ Failures as a result of sudden impact or obvious abuse.
- ◆ Failures due to usage not in accordance with instructions and recommendations contained in this manual.

**The use of other than genuine Black & Decker accessories and parts may cause decreased performance or damage to the product and will render the guarantee void.**

### Technical data

		GS1600	GS1800
Voltage	V	230	230
Power input	W	1,600	1,800
Weight	kg	\$	\$

### AFTER SALES SERVICE

Full details on our after-sales service are available on the Internet at [www.2helpU.com](http://www.2helpU.com). Alternatively, contact our Service and Information Centre at the address towards the back of this manual.

### GUARANTEE

**The Black & Decker lawn and garden guarantee provides: 36 months parts and 12 months labour cover in the UK, 24 months parts and labour cover in South Africa, Australia and New Zealand. Proof of purchase will be required.**

Should your Black & Decker product become defective within the guarantee period due to faulty materials or workmanship, we guarantee to either replace all defective parts or -at our discretion- to replace the unit free of charge, provided that:

- ◆ The product is returned to us or one of our authorised repair agents with proof of purchase.
- ◆ The product has been used within the parameters of its consumer classification.
- ◆ The product has not been used for hire purposes.
- ◆ Repairs have not been attempted by anyone other than our authorised repair agents.
- ◆ The failure represents normal wear and tear.

This guarantee is offered as an extra benefit and does not affect your statutory rights.

#### The guarantee policy

The following failures are not covered by the above guarantee:

- ◆ Replacing worn or damaged blades, nylon lines, chains and power cables. These items are regarded as replacement items which wear during normal usage.

It is our aim that all Black & Decker customers should be totally satisfied with their Black & Decker product and our after sales service. If any help or advice is needed, please contact your local Black & Decker repair agent.

If your product needs repair, please take or send it to an authorised repair agent, providing proof of purchase if claiming a guarantee repair. Black & Decker offers a nationwide network of authorised repair agents.

Full details on our after sales service can be obtained from any of our authorised repair agents.

### OTHER OUTDOOR TOOLS

Black & Decker has a full range of outdoor power tools that make life in the garden easy. If you would like further information on the following products, please contact our Service and Information Centre (see the address page towards the end of this manual) or your local Black & Decker retailer.

String trimmers	Chainsaws
Cordless shear	Hedgetrimmers
Lawnmowers	Lawnrakers
Leafbusters	Shredders

Not all products are available in all countries.



## ENGLISH

### OPTIMUM USE OF YOUR SHREDDER

Material	Recommended condition for shredding	Remarks
Twigs and prunings	As cut	Feed without overloading.
Branches	As cut	Clip off side growth. Feed without overloading. Firmly hold large diameter branches.
Bedding plants, weeds, shrubby growth	As cut, fairly dry	Knock soil and stones off roots. Do not shred seeded weeds.
Freshly cut foliage, hedge prunings, vegetable waste	As cut, no surface moisture	When shredding materials with a high moisture content, regularly feed dry material to clean the shredder.
Paper and cardboard	Very dry, loosely rolled	Do not shred following moist material.
Fibrous foliage, pampas grass stems	Very dry	Cut into short lengths before shredding.

The following materials are suitable for composting without shredding:

- Grass clippings
- Soft vegetation, especially when wet or when natural decomposition has commenced
- Damp paper or cardboard











<b>Australia</b>	DeWALT Industrial Power Tool Company 7 Clarice Road Box Hill, Victoria 3128	Tel. 03 9895 9200 Fax 03 9899 7465
<b>New Zealand</b>	Black & Decker 81 Hugo Johnson Drive Penrose, Auckland, New Zealand	Tel. 09 579 7600 Fax 09 579 8200
<b>South Africa</b>	Black & Decker South Africa (Pty) Ltd Physical address: 146 Lechwe Street Corporate park Randjiesfontein, Midrand Postal address: Postnet Suite 107, Private Bag X65 Halfway House 1685	Tel. (011) 653-1400 Fax (011) 653-1499
<b>United Kingdom</b>	Black & Decker 210 Bath Road Slough, Berkshire SL1 3YD	Tel. 01753 511234 Fax 01753 551155 Helpline 01753 574277





**Dealer address**

**Date of purchase**



Name: .....

Address: .....

Town: .....

Postal code: .....

Was this tool bought as a replacement?

Yes  No

Was this tool a gift?

Yes  No

Dealer address: .....

Was this tool your first purchase?

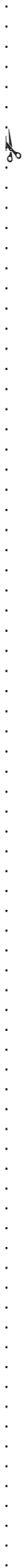
Yes  No

Data protection act:  
Tick the box if you prefer not to receive further information.





## GUARANTEE CARD



Please complete this section immediately after the purchase of your tool and send it to Black & Decker in your country. If you live in Australia or New Zealand, please register by using the alternative guarantee card supplied.

