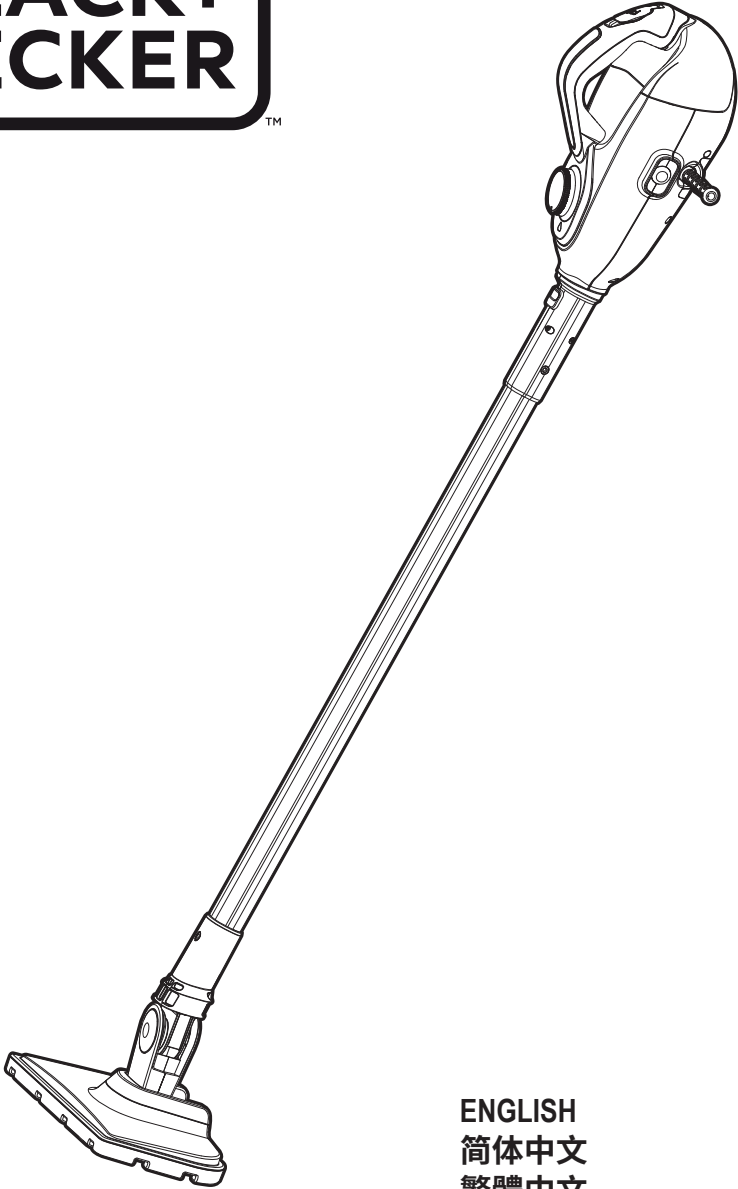


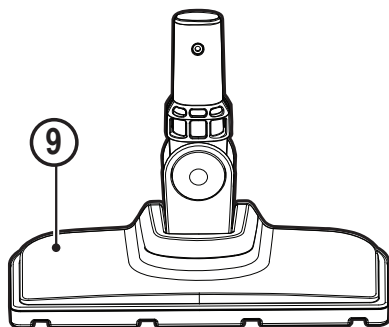
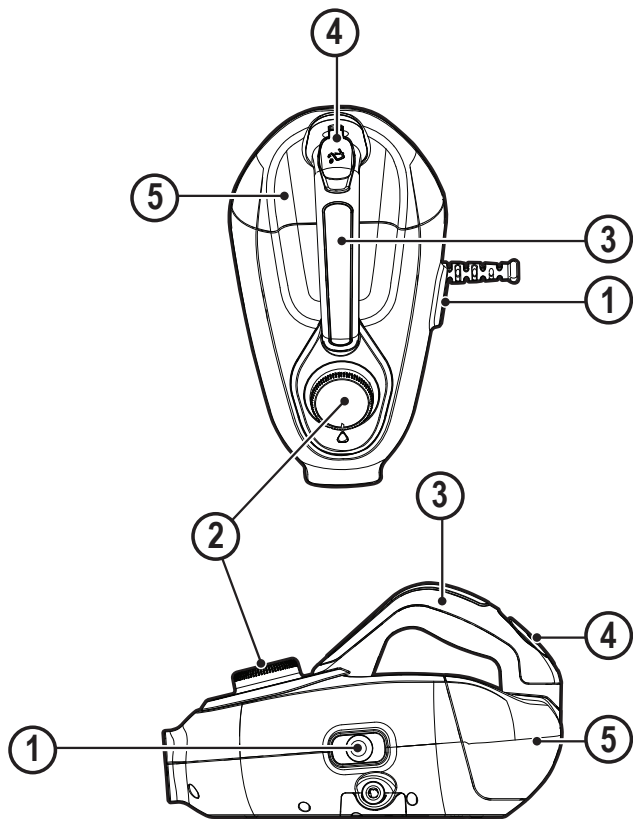
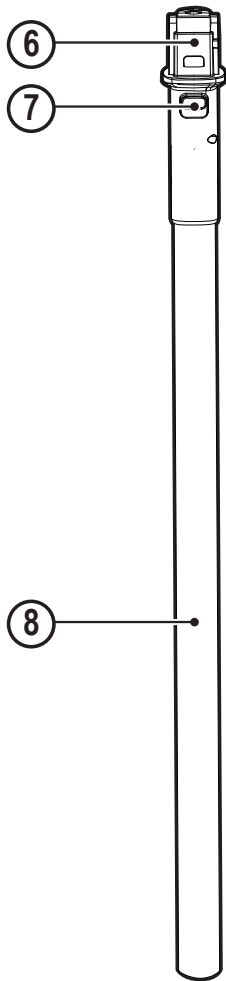


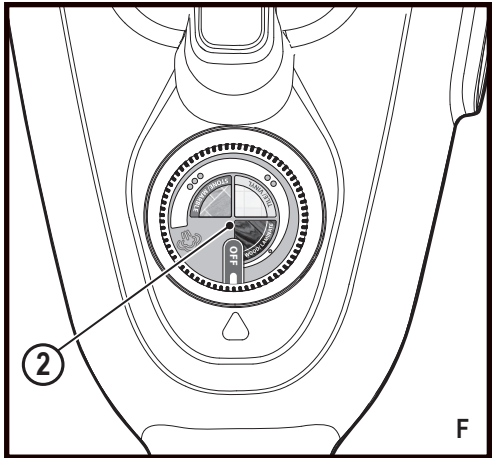
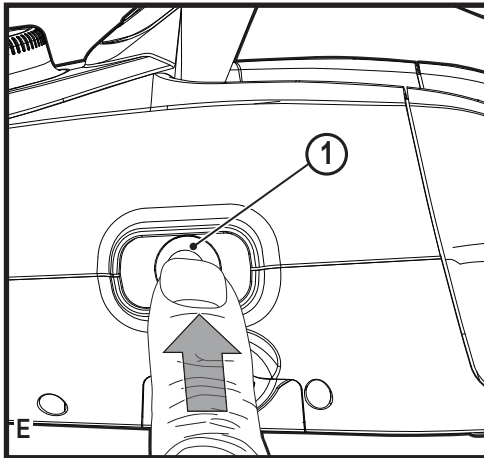
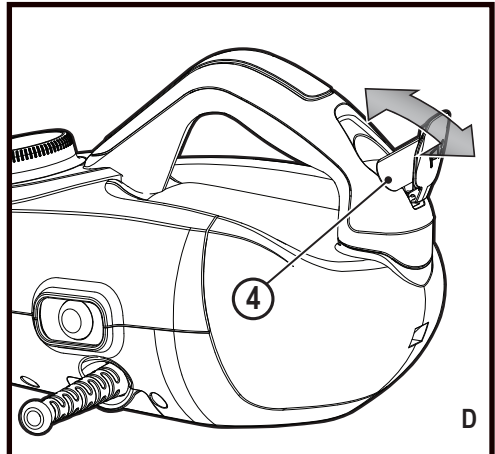
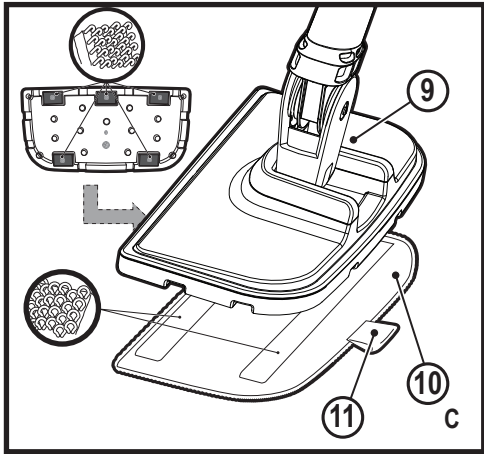
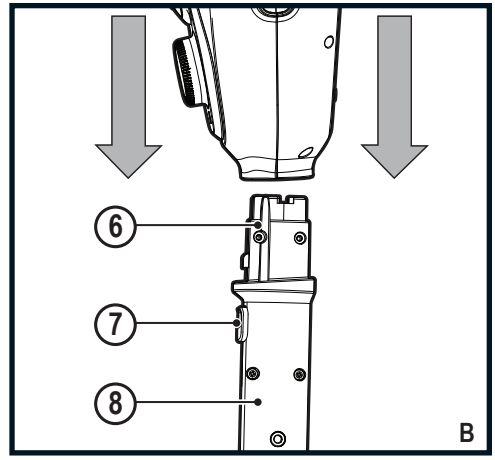
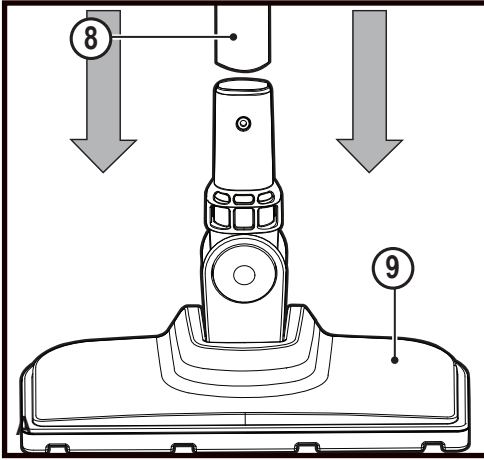
www.blackanddecker.com

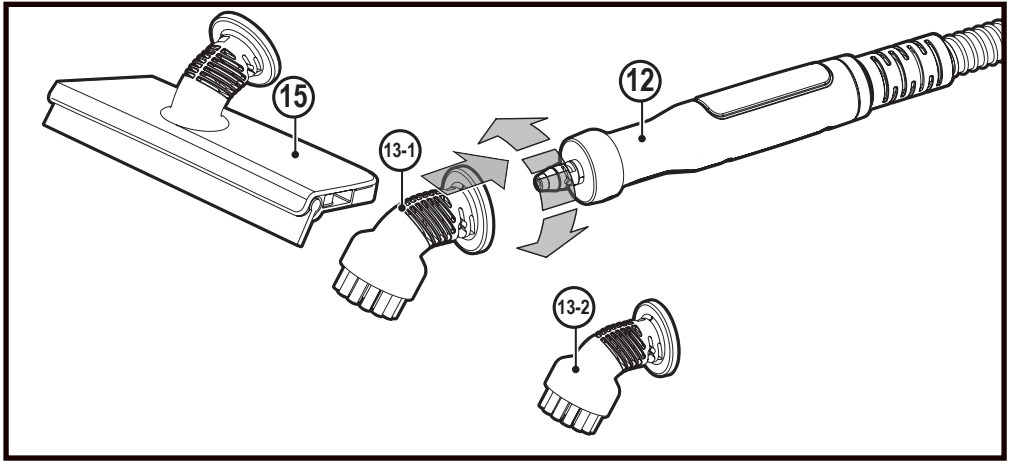
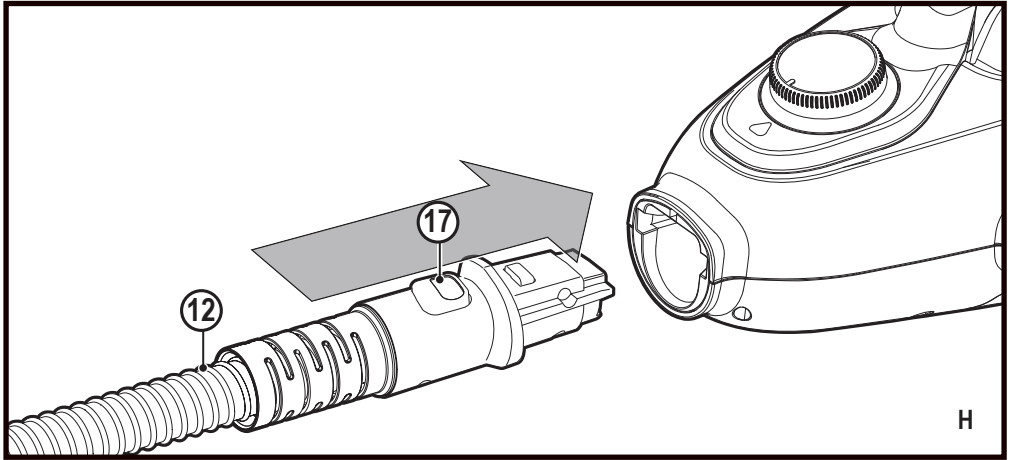
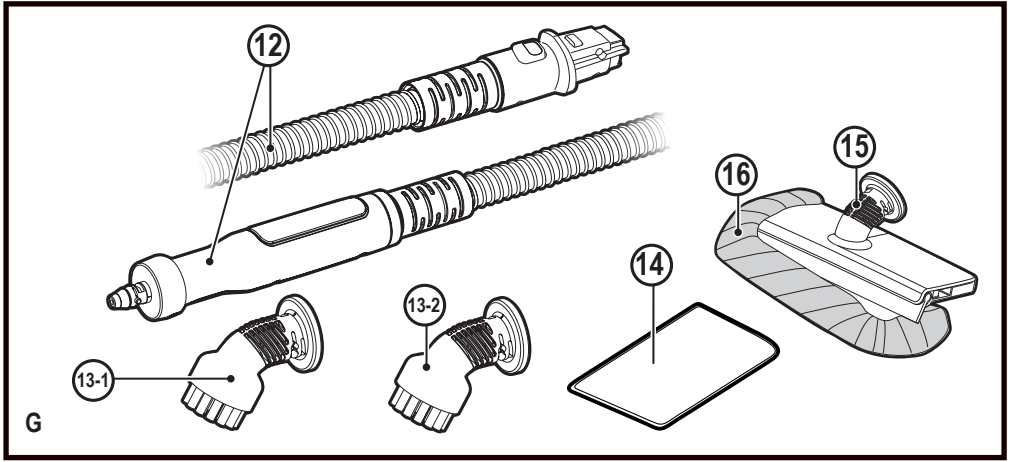


FSMH1300FX

ENGLISH	5
简体中文	12
繁體中文	18
한국어	24
BAHASA INDONESIA	29
ภาษาไทย	35
TIẾNG VIỆT	41







FSMH1300FX STEAM MOP

Technical Data

		FSMH1300FX
Voltage	V _{ac}	220-240
Power	W	1300
Tank Capacity	ml	500
Weight	kg	2.4

Intended use

Your BLACK+DECKER™ FSMH1300FX steam mop has been designed for sanitising and cleaning sealed hardwood, sealed laminate, linoleum, vinyl, ceramic tile, stone and marble floors. This appliance is intended for indoor household use only.

Safety Instructions



Warning! Read all safety warnings and all instructions.

Failure to follow the warnings and instructions listed below may result in electric shock, fire and/or serious injury.



Warning! When using main-powered appliances, basic safety precautions, including the following, should always be followed to reduce the risk of fire, electric shock, personal injury and material damage.

- ◆ The intended use is described in this manual. The use of any accessory or attachment or the performance of any operation with this appliance other than those recommended in this instruction manual may present a risk of personal injury.

- ◆ Retain this manual for future reference.

Using your appliance

- ◆ Do not direct steam at people, animals, electrical appliances or electrical outlets.
- ◆ Do not expose to rain.
- ◆ Do not immerse the appliance in water.
- ◆ Do not leave the appliance unattended.
- ◆ Do not leave the appliance connected to an electrical outlet when not in use.
- ◆ Never pull the power lead to disconnect the appliance from the socket. Keep the appliance lead away from heat, oil and sharp edges.
- ◆ Do not handle steam cleaner with wet hands.
- ◆ Do not pull or carry by cord, use cord as a handle, close door on cord, pull cord around sharp corners or expose cord to heated surfaces.
- ◆ Do not use appliance in an enclosed space filled with vapour given off by oil-base paint thinner, some moth-proofing substances, flammable dust, or other explosive or toxic vapours.
- ◆ Check the type of floor with the manufacturer.
- ◆ Do not use on leather, wax polished furniture or floors, synthetic fabrics, velvet or other delicate, steam-sensitive materials.



Warning! Do not use on unsealed wood or unsealed laminate floors. On surfaces that have been treated with wax or some no wax floors, the sheen may be removed by the heat and steam action. It is always recommended to test an isolated area of the surface to be cleaned before proceeding. We also recommend that you check the use and care instructions from the floor manufacturer.

- ◆ Never put descaling, aromatic, alcoholic or detergent products into the steam cleaner, as this may damage it or make it unsafe for use.
- ◆ If the home circuit breaker activates while using the steam function, discontinue product use immediately and contact the customer support centre. (Beware of the risk of electrical shock.)
- ◆ The appliance emits very hot steam to sanitize the area of use. This means that the steam head, cleaning pads and carpet attachment get very hot during use.

Caution! Always wear suitable shoes when using your steam mop and when changing the accessories on your steam mop. Do not wear slippers or open toed footwear.

- ◆ The lid may become hot during use.
- ◆ Steam may escape from the appliance during use.

- ◆ Care should be taken when using this appliance. DO NOT touch any parts which may become hot during use.
- ◆ Switch the appliance off and return the handle to the upright position before removing the water tank.
- ◆ If steam is observed escaping from the body of the hand held steam cleaner, switch off and disconnect the unit from the mains supply, allow to cool. Contact your nearest authorised repair agent. Do not continue to use the appliance.

After use

- ◆ Unplug the appliance and allow to cool before cleaning.
- ◆ When not in use, the appliance should be stored in a dry place.
- ◆ Children should not have access to stored appliances.

Inspection and repairs

- ◆ Unplug the appliance and allow to cool before performing any maintenance or repairs.
- ◆ Before use, check the appliance for damaged or defective parts. Check for breakage of parts, damage to switches and any other conditions that may affect its operation.
- ◆ Regularly check the power lead for damage.
- ◆ Do not use the appliance if any part is damaged or defective.
- ◆ Have any damaged or defective parts repaired or replaced by an authorized repair agent.

- ◆ Never attempt to remove or replace any parts other than those specified in this manual.

Safety of others

- ◆ This appliance can be used by children aged from 8 years and above and persons with reduced physical, sensory or mental capabilities or lack of experience and knowledge if they have been given supervision or instruction concerning use of the appliance in a safe way and understand the hazards involved. Children shall not play with the appliance. Cleaning and user maintenance shall not be made by children without supervision.
- ◆ Children should be supervised to ensure that they do not play with the appliance.

Residual risks

Additional residual risks may arise when using the tool which may not be included in the enclosed safety warnings. These risks can arise from misuse, prolonged use etc.

Even with the application of the relevant safety regulations and the implementation of safety devices, certain residual risks can not be avoided. These include:

- ◆ Injuries caused by touching any moving parts.
- ◆ Injuries caused by touching any hot parts.

- ◆ Injuries caused when changing any parts or accessories.
- ◆ Injuries caused by prolonged use of the appliance. When using any appliance for prolonged periods ensure you take regular breaks.

Electrical safety



Warning! This product must be earthed. Always check that the power supply corresponds to the voltage on the rating plate.

Power plugs must match the outlet.

Never modify the plug in any way.

Unmodified plugs and matching outlets will reduce risk of electric shock.

- ◆ If the supply cord is damaged, it must be replaced by the manufacturer or an authorised BLACK+DECKER Service Centre in order to avoid a hazard.

Extension cables & Class 1 product

- ◆ A 3-core cable must be used as your appliance is earthed and of Class 1 construction.
- ◆ Up to 30m (100 ft) can be used without loss of power.

Labels on appliance

The following pictograms along with the date code are shown on the appliance.



CAUTION Hot Steam



Do not leave unsupervised with young children



Wash at 60°C. Do not use bleach or fabric softener

Features

This appliance includes some or all of the following features.

1. On/off switch
2. Autoselect™ dial
3. Hand held steam unit handle
4. Filler cap
5. Water tank
6. Interface
7. Floor extension release button
8. Floor extension
9. Floor cleaning head
10. Cleaning pad
11. Cleaning pad removal tab
12. Accessory attachment hose
- 13-1. Blue angle brush accessory (for use on hard to remove stains)
- 13-2. Yellow angle brush accessory (for use on hard to remove stains)
14. Resting pad
15. Squeegee accessory (for use on shower screens / glass / mirrors / clothing / upholstery)
16. Squeegee sock

Assembly



Warning! Before attempting any of the following instructions, make sure that the appliance is switched off and unplugged and the appliance is cold and does not contain any water.

Attaching the floor extension to the floor cleaning head (Fig. A)

- ◆ Push the floor extension (8) firmly into the floor cleaning head (9) making sure it clicks securely into place.

Attaching the hand held hand held steam unit to the floor extension (Fig. B)

- ◆ Push the hand held hand held steam unit firmly onto the floor extension (8) making sure it sits correctly over the interface (6) and clicks securely into place.

Warning! Inspect the seal between the connection point on the hand held steam cleaner and the floor extension (8) before each use. If the seal malfunctions or is damaged, please contact your nearest authorised repair agent. Do not use the appliance.

Removing the hand held steam unit

- ◆ Push the release button (7) on the floor extension (8) and lift the hand held steam unit off the interface (6).

Attaching a cleaning pad (Fig. C)

Replacement cleaning pads are available from your BLACK+DECKER dealer :- (cat no. FSMP20-XJ).

- ◆ Place a cleaning pad (10) on the floor with the velcro 'loop' side facing up.
- ◆ Lightly press the steam mop down onto the cleaning pad (10).

Caution! Never leave the steam mop in one spot on any surface for any period of time. Always place the steam mop supported in the upright position when stationary and make sure the steam mop is turned off when not in use.

Removing a cleaning pad

Caution! Always wear suitable shoes when changing the cleaning pad on your steam mop.

Do not wear slippers or open toed footwear.

- ◆ Return the steam mop to the upright position and turn the steam mop 'OFF'.
- ◆ Wait until the steam mop cools down (approximately 5 minutes).
- ◆ Lift the steam mop away from the cleaning pad freeing it from the velcro fastening by putting weight on the cleaning pad removal tab (11).

Caution! Never leave the steam mop in one spot on any surface for any period of time.

Always place the steam mop supported in the upright position when stationary and make sure the steam mop is turned off when not in use.

Filling the water tank (Fig. D)

Note! Fill the water tank with clean tap water (Do not use any additives or chemicals).

Note! In areas of hard water, the use of de-ionised water is recommended.

- ◆ Open the filler cap (4) by flipping it up.
- ◆ Fill the water tank with water (Do not use any additives or chemicals).

Warning! When filling, maintain in a horizontal position.

Warning! Your water tank has a 0.5 litre capacity. Do not over fill the tank.

- ◆ Close the filler cap(4).

Note! Ensure the filler cap is firmly secured.

Use

Important! This unit will kill 99.9% of bacteria and germs when used in accordance with the instructions in this manual and with the micro fibre pads fitted and a continuous run time of 90 seconds.

Switching on and off (Fig. F)

- ◆ To switch the appliance on, press the ON/Off switch (1). It takes approximately 15 seconds for the steam mop to heat up.
- ◆ To switch the appliance off, press the ON/Off switch (1).

Caution! Never leave the steam mop in one spot on any surface for any period of time.

Always place the steam mop supported in the upright position when stationary and make sure the steam mop is turned off when not in use.




Caution! Always empty the steam mop after use.

Note! When first filled or after running dry, it can take up to 45 seconds for steam to be produced.

Autoselect™ Technology (Fig. E)

This steam mop is fitted with an Autoselect™ dial (2) which shows various cleaning applications. They are used to select the correct operating mode for your particular cleaning operation.

Using Autoselect™, choose from one of the following applications by turning the Autoselect™ dial (2) until the required setting is selected.

Setting	Mop	Hand Held
	Wood/ Laminate	Low steam flow ●
	Tiles/Vinyl	Medium steam flow ● ●
	Stone/Marble	High steam flow ● ● ●

The steam mop will select the correct volume of steam required for your particular cleaning operation.

Note: Always check you are using the correct setting before using your steam mop.

Attaching the hose and accessories to the hand held steam cleaner

Warning! Inspect the seal between the connection point on the hand held steam cleaner and the steam hose (12) before each use. If the seal malfunctions or is damaged, please contact your nearest authorised repair agent. Do not use the appliance.

Attaching the hose (Fig. H)

- ◆ Press the steam hose release button (17) on the steam hose (12).
- ◆ Connect the steam hose (12) to the hand held steam cleaner and release the steam hose release button (17) making sure it clicks into place.

Important! Ensure that the steam hose (12) is securely connected to the hand held steam cleaner. If steam escapes

from the joint, the hose is incorrectly fitted. Switch off, allow the unit to cool then remove and refit the hose.

Attaching accessories (Fig I)

- ◆ Align the lugs on the steam nozzle (12) with the recesses on the accessory.
- ◆ Press the accessory onto the steam nozzle and twist anticlockwise until the accessory clicks into place.

Important! All accessories must be attached to the steam hose (12) for use.

Removing the hose and accessories

Warning! The steam hose (12), Steam nozzle and accessories become hot during use. Allow the unit and all accessories to cool before attempting to remove.

Removing an accessory

- ◆ Twist the accessory clockwise then pull away from the hose (12).

Removing the hose

- ◆ Press the steam hose release button (17) on the steam hose (12) and pull away from the hand held steam unit.

Hints for optimum use

General

Caution: Never use the steam mop without first attaching a cleaning pad.

- ◆ Always vacuum or sweep the floor before using the steam mop.
- ◆ The easiest way to use the appliance is to tilt the unit to a 45° angle and clean slowly, covering a small area at a time.
- ◆ Use water only with no additives or chemicals with your steam mop. To remove stubborn stains from vinyl or linoleum floors, you can pre-treat with a mild detergent and some water before using the steam mop.

Steam Cleaning with the mop

- ◆ Fit hand steam cleaner to the floor extension (8).
- ◆ Place a cleaning pad (10) on the floor with the velcro 'loop' side facing up.
- ◆ Lightly press the steam mop down onto the cleaning pad (10).
- ◆ Connect the steam mop to the mains.
- ◆ Press the ON/OFF button (1). It takes approximately 15 seconds for the steam mop to heat up.
- ◆ Turn the Autoselect™ dial (2) until the required setting is reached. After a few seconds steam will start to come out of the steam head.

Note! When first filled or after running dry, it can take up to 45 seconds for steam to be produced.

- ◆ It takes a few seconds for steam to enter the cleaning pad. The steam mop will now glide easily over the surface to be sanitized/cleaned.
- ◆ Push and pull the steam mop slowly across the surface to thoroughly steam clean each section.
- ◆ When you have finished using the steam mop, return the handle (8) to the upright position, making sure that it is supported and turn it 'OFF'. Wait until the steam mop cools down (approximately five minutes) .

Caution! It is important to monitor the water level in the water tank. To refill the water tank and continue to sanitize/clean stand the mop upright making sure that it is supported and turn the steam mop 'OFF'. Unplug the unit from the electrical wall outlet, and refill the water tank.

Caution! Never leave the steam mop in one spot on any surface for any period of time. Always place the steam mop supported in the upright position when stationary and make sure the steam mop is turned off when not in use.

After use

- ◆ Turn the Autoselect™ dial (2) to the OFF position.
- ◆ Wait until the steam mop cools down.
- ◆ Unplug the steam mop from the electrical wall outlet.
- ◆ Empty the water tank.
- ◆ Remove the cleaning pad (10) and wash it ready for next use (take care to follow the wash care instructions printed on the cleaning pad).

Accessories

The performance of your appliance depends on the accessory used. BLACK+DECKER accessories are engineered to high quality standards and designed to enhance the performance of your appliance. By using these accessories you will get the very best from your equipment.

Hand held steam cleaning

Warning! ! Maintain the unit in a horizontal position during use.

- ◆ Attach the required accessory.
- ◆ Connect the hand held steam cleaner to the mains.
- ◆ Press the ON/OFF button (1). It takes approximately 15 seconds for the steam mop to heat up.
- ◆ Turn the Autoselect™ dial (2) until the required setting is reached. After a few seconds steam will start to come out of the steam head.

Note! When first filled or after running dry, it can take up to 45 seconds for steam to be produced.

- ◆ When you have finished using the hand held steam cleaner turn the Autoselect™ dial (2) to the OFF position. Turn the unit OFF by pressing the ON/OFF button (1) and disconnect from the mains supply. Wait until the unit cools down before storing (approximately five minutes).

Troubleshooting

If your appliance seems not to operate properly, follow the instructions below. If this does not solve the problem, please contact your local BLACK+DECKER repair agent.

Problem	Step	Possible solution
The steam mop is not turning on	1.	Check the unit is plugged in at the wallsocket.
	2.	Check the unit is switched on using the ON/OFF switch (1)
	3.	Check the fuse in the plug.
Problem	Step	Possible solution
The steam mop is not producing steam	4.	The steam mop will only produce steam if the hand held steam cleaner (5) is correctly docked into the main body (11) or the steam hose is fitted or the Autoselect™ is turned to ON
	5.	Check that the water tank is full. Note: When first filled or after running dry it can take up to 45 seconds for steam to be produced.
	6.	Check steps 1, then 2, then 3
The steam mop stops producing steam during use	7.	Check steps 4, then 5, then 3
The steam mop is producing too much steam during use	8.	Turn the Autoselect™ dial (2) anti-clockwise to reduce the amount of steam being produced
The steam mop is producing too little steam during use	9.	Turn the Autoselect™ dial (2) clockwise to increase the amount of steam being produced
Where can I get further information/ accessories	10.	www.blackanddecker.com

Maintenance and cleaning

Your BLACK+DECKER corded appliance has been designed to operate over a long period of time with a minimum of maintenance. Continuous satisfactory operation depends upon proper appliance care and regular cleaning.

Warning! Before performing any maintenance or cleaning on corded appliances switch off and unplug the appliance.

- ◆ Wipe your appliance over using a soft damp cloth.
- ◆ For stubborn marks you can use a mild solution of soap and water to dampen your cloth.

Care of the cleaning pads

Wash care instructions - No fabric conditioner - Allow to dry fully before re-use.

Caution! Follow the cleaning instructions printed on the label of the cleaning pad.

Protecting the environment



Separate collection. Products and batteries marked with this symbol must not be disposed of with normal household waste.

Products and batteries contain materials that can be recovered or recycled reducing the demand for raw materials. Please recycle electrical products and batteries according to local provisions. Further information is available at www.2helpU.com

Service Information

BLACK+DECKER offers a full network of company-owned and authorized service locations throughout Asia. All BLACK+DECKER Service Centers are staffed with trained personnel to provide customers with efficient and reliable product service.

Whether you need technical advice, repair, or genuine factory replacement parts, contact the BLACK+DECKER location nearest to you.

NOTE

- ◆ BLACK+DECKER's policy is one of continuous improvement to our products and, as such, we reserve the right to change product specifications without prior notice.
- ◆ Standard equipment and accessories may vary by country.
- ◆ Product specifications may differ by country.
- ◆ Complete product range may not be available in all countries. Contact your local BLACK+DECKER dealers for range availability.

FSMH1300FX 蒸汽拖把

技术参数

FSMH1300FX		
电压	伏特 (交流)	220-240
功率	瓦	1300
水箱容量	毫升	500
重量	千克	2.4

设计用途

BLACK+DECKER™ FSMH1300FX 蒸汽拖把设计用于清洁与清洗密封实木地板、密封复合地板、油毡地板、乙烯基地板、瓷砖地板、石地板及大理石地板。本设备仅适用于室内家庭用途。

安全说明



警告！ 请仔细阅读所有安全警告和说明。

如不遵守以下任何警告和说明，可能会导致触电、火灾和/或严重伤害。



警告！ 使用主电源供电的设备时，请务必始终遵守下列基本安全预防措施，从而降低火灾、触电、人身伤害和材料损坏等风险。

- ◆ 使用设备前，请仔细阅读本手册。
- ◆ 本手册描述了设备的设计用途。如果配件或附件的使用，或本设备的操作超出本手册建议的范围，则可能出现人身伤害的危险。
- ◆ 请保存好本手册，以备将来查阅。

使用设备时

- ◆ 请勿将蒸汽对准人、动物、电器或电气插座。
- ◆ 请勿将设备暴露在雨中。
- ◆ 请勿将设备浸入水中。
- ◆ 请勿将设备闲置在一旁。
- ◆ 本设备未使用时，请勿将其连接到插座上。
- ◆ 禁止猛力拉扯电源线以使设备断开与插座的连接。请确保设备远离热源、油脂及尖锐的边缘。
- ◆ 请勿湿手接触蒸汽拖把。

- ◆ 请勿使用电源线拉动或搬运设备，不得把电源线当做搬运手柄、把电源线夹在门缝中、在尖角周围拉动电源线或将电源线暴露在受热表面。
- ◆ 请勿在充满油基油漆稀料挥发物、防蛀药品、易燃粉尘、易爆或有毒气体的封闭空间内使用本设备。
- ◆ 请与制造商核实地板的类型。
- ◆ 请勿在皮革、蜡抛光家具或地板、合成纤维、丝绒或其他脆弱的、对蒸汽敏感的材料上使用本设备。



警告！ 请勿将本工具用于未密封木地板或未密封复合地板。对于打蜡地板或某些无蜡地板，热和蒸汽作用可能使其表面光泽消失。在开始清洁前，建议在待清洁表面上隔离一块区域做实验。此外，还建议您参考地板制造商的使用与保养须知。

- ◆ 禁止将除锈、芳烃、乙醇或清洁剂等物品放入蒸汽拖把中。这会损坏设备或使设备变得不安全。
- ◆ 使用蒸汽功能时，如果家里的电路断路器启动，请立即停止使用本产品并与客户支持中心联系。（请当心触电危险。）
- ◆ 本设备会发出非常热的蒸汽，用于清洁目的。这意味着在使用过程中，蒸汽头、清洁垫和地毯附件会变得很烫。

小心！ 使用本蒸汽拖把或更换其配件时，请务必穿上合适的鞋子。请勿穿拖鞋或露趾鞋。

- ◆ 使用过程中，设备盖子会变得很烫。
- ◆ 使用过程中，蒸汽可能会从设备内逸出。
- ◆ 使用本设备时，请务必小心；使用过程中，请勿接触任何可能变热的部件。
- ◆ 将水箱取下之前，关闭设备开关并恢复手柄到竖直位置。
- ◆ 仅可用于地板，请勿倒置使用。本设备仅适用于室内家庭用途。

使用后

- ◆ 拔下设备插头，待冷却后，再清洁设备。
- ◆ 不使用设备时，应存放于干燥场所。
- ◆ 应将设备存放在儿童接触不到的地方。

检查与维修

- ◆ 拔下设备插头，待设备冷却后，再进行维护与维修。
- ◆ 使用前，请检查设备是否受损或存在缺陷部件。检查部件是否破裂、开关是否损坏，以及是否存在影响设备操作的其它情况。
- ◆ 定期检查电源线是否损坏。
- ◆ 如果部件损坏或存在缺陷，请勿使用设备。
- ◆ 损坏或缺陷部件必须交由授权维修代理处维修与更换。
- ◆ 禁止试图拆卸或更换本手册规定之外的任何部件

他人安全

- ◆ 在有他人监督的情况下，或在接受过安全使用该产品的指导并已了解了可能存在的危险的情况下，8岁或以上的儿童，以及身体、感官或精神较差的人员，或者对该类产品缺少使用经验和认识的人员，也可以使用本设备。确保儿童没有玩耍本设备。在没有他人监督的情况下，禁止儿童使用本设备或对其进行维护保养。
- ◆ 必须监督儿童，确保他们没有玩耍本设备。

其他风险

使用设备时，可能出现本安全警示之外的其他风险。这些风险可能来自使用不当，使用时间过长等。尽管遵守了相关的安全法规并采用了安全装备，某些风险仍然是无法避免的。这些风险包括：

- ◆ 接触运动部件导致的人身伤害。
- ◆ 接触发热部件导致的人身伤害。
- ◆ 更换部件或配件时导致的人身伤害。
- ◆ 长时间使用本设备导致的人身伤害。长期使用任何设备时，均应定期休息。

电气安全



警告! 本产品必须接地。请务必检查电源是否与铭牌上的电压一致。

电源插头必须与同规格的插座相配。禁止以任何方式改装插头。未经改装的插头与同规格的插座将降低触电风险。

- ◆ 如果电源线损坏，必须让制造商或 Black & Decker 授权服务中心更换以避免发生危险。

延长线与 1 类产品

- ◆ 本设备为接地设备，并具备 1 类构造，因此必须使用 3 芯延长线。
- ◆ 无功率损失条件下，最长可使用 30 米 (100 英尺) 延长线。

设备上的标签

设备上显示下列图形和日期码。



警示: 热蒸汽



不要让儿童在无人看管下接触



在 60°C 水温下洗涤。请勿使用漂白剂或衣物柔顺剂。

部件名称

本设备包含如下部分或全部部件。

1. 开关
2. Autoselect™ 旋钮
3. 手持式蒸汽设备手柄
4. 注水口盖子
5. 水箱
6. 接口
7. 地板伸缩件释放按钮
8. 地板伸缩件
9. 地板清洁头
10. 清洁垫
11. 清洁垫拆卸凸耳
12. 附件配件软管
- 13-1. 蓝色斜角刷附件（用于难以清除的污渍）
- 13-2. 黄色斜角刷附件（用于难以清除的污渍）
15. 刮胶附件（用于淋浴屏/玻璃/镜子/服装/内饰）
16. 橡胶清洁器套

组装



警告! 进行如下任何操作之前, 请确保关闭设备开关、拔下设备插头、设备处于冷却状态并且不含水。

将地板伸缩件连接到地板清洁头 (图 A)

- ◆ 将地板伸缩件 (8) 平稳推入地板清洁头 (9), 确保其牢固地卡入到位。

将手持式蒸汽设备连接到地板伸缩件 (图 B)

- ◆ 将手持式蒸汽设备平稳推入地板伸缩杆 (8) 上, 确保其对准接口 (6), 并牢固地卡入到位。

警告! 每次使用前, 检查手持式蒸汽清洁器上的连接点和地板伸缩件 (8) 之间的密封件。如果密封件出现故障或损坏, 请与最近的授权维修代理联系。请勿使用本设备。

拆卸手持式蒸汽设备

- ◆ 按下地板伸缩件 (8) 上的释放按钮 (7), 并将手持式蒸汽设备从接口 (6) 上提起。

安装清洁垫 (图 C)

BLACK+DECKER 代理商均提供备用清洁垫 (货号: FSMP20-XJ)。

- ◆ 将清洁垫 (10) 置于地板上, 魔术扣贴“环形”面朝上。
- ◆ 将蒸汽拖把往清洁垫 (10) 上轻压。

小心! 禁止让蒸汽拖把长时间停留在任一工作表面上。蒸汽拖把处于静止状态时, 切记使手柄保持竖直位置; 未使用蒸汽拖把时, 请确保将其开关关闭。

拆卸清洁垫

小心! 给蒸汽拖把更换清洁垫时, 请务必穿上合适的鞋子。

请勿穿拖鞋或露趾鞋。

- ◆ 将蒸汽拖把恢复到竖直位置, 关闭蒸汽拖把电源开关。

- ◆ 等待蒸汽拖把冷却 (约 5 分钟)。
- ◆ 将重物放在清洁垫拆卸凸耳 (11) 上, 分开魔术贴, 向上提起蒸汽拖把, 从清洁垫上取下。

小心! 禁止让蒸汽拖把长时间停留在任一工作表面上。蒸汽拖把处于静止状态时, 切记使手柄保持竖直位置; 未使用蒸汽拖把时, 请确保将其开关关闭。

给水箱加水 (图 D)

注意! 给水箱注入干净的自来水 (不要使用任何添加剂或化学品)。

注意! 如果您所在地区的自来水水质较硬, 建议您使用去离子水。

- ◆ 向上翻开注水口水口盖子 (4)。
- ◆ 给水箱加水 (不要使用任何添加剂或化学品)。

警告! 填充时, 保持在水平位置。

警告! 本水箱的容量为 0.5 升。请勿超过水箱的最高水位线。

- ◆ 关闭注水口水口盖子 (4)。

注意! 确保注水口水口盖子已经稳固安装。

使用

重要! 若按照本手册中的说明操作、使用装配的微纤维垫, 并连续运行 90 秒, 本设备将消灭 99.9% 的细菌。

打开和关闭 (图 F)

- ◆ 要启动设备, 请按下车/关 (1)。蒸汽拖把需要大约 15 秒钟进行加热。
- ◆ 要关闭设备, 请按下车 (1)。

小心! 禁止让蒸汽拖把长时间停留在任一工作表面上。蒸汽拖把处于静止状态时, 切记使手柄保持竖直位置; 未使用蒸汽拖把时, 请确保将其开关关闭。

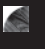


小心! 使用后, 请务必清空蒸汽拖把。

注意! 首次注水或运行干燥后, 可能需要最长 45 秒时间来产生蒸汽。

Autoselect™ 技术 (图 E)

本蒸汽拖把装有 Autoselect™ 旋钮 (2), 该旋钮提供各种清洁用途指示。您可以根据清洁用途, 设定正确的操作模式。

使用 Autoselect™，通过旋转 Autoselect™ 旋钮 (2) 直到选择所需的设置，在下表用途中选择其一：

设置	拖把	手持式
	木材/层压板	低蒸汽流量 ●
	瓷砖地板/乙烯基地板	中等蒸汽流量 ● ●
	石地板/大理石地板	高蒸汽流量 ● ● ●

本蒸汽拖把会根据您的特殊清洁用途，选择合适的蒸汽流量。

注：使用蒸汽拖把之前，请务必确保您正在使用正确的设置。

将软管和附件连接到手持式蒸汽清洁器

警告！每次使用前，检查手持式蒸汽清洁器上的连接点和蒸汽软管 (12) 之间的密封件。如果密封件出现故障或损坏，请与最近的授权维修代理联系。请勿使用本设备。

安装软管 (图 H)

- ◆ 按下蒸汽软管 (12) 上的蒸汽软管释放按钮 (17)。
- ◆ 将蒸汽软管 (12) 连接到手持式蒸汽清洁器，并松开蒸汽软管释放按钮 (17)，确保其卡入到位。

重要！确保蒸汽软管 (12) 稳固连接到手持式蒸汽清洁器。如果蒸汽从接头中逸出，则软管安装不正确。关闭开关，让本设备冷却，然后拆下并重新安装软管。

安装附件 (图 I)

- ◆ 将蒸汽喷嘴 (12) 上的凸耳与附件的凹槽对齐。
- ◆ 将附件按压到蒸汽喷嘴上，逆时针旋转，直到附件卡入到位。

重要！所有附件必须连接到蒸汽软管 (12) 上使用。

拆卸软管和附件

警告！蒸汽软管 (12)、蒸汽喷嘴和附件在使用期间会发热。应等设备和所有附件冷却后再尝试拆卸。

拆卸附件

- ◆ 顺时针旋转附件，然后拉离软管 (12)。

拆卸软管

- ◆ 按下蒸汽软管 (12) 上的蒸汽软管释放按钮 (17)，然后从手持式蒸汽设备上拉开。

最佳使用提示

一般原则

警示：禁止在未安装清洁垫的情况下使用蒸汽拖把。

- ◆ 使用蒸汽拖把前，请务必使用吸尘器或扫把将地板上的灰尘清除干净。
- ◆ 本产品最简单的使用方法就是将设备倾斜至 45° 角，慢慢清洁，每次只清洁一小片地方。
- ◆ 只使用水，不要将蒸汽拖把与添加剂或化学品一起使用。要清除乙烯基地板或油地毡地板上的顽固污渍，可在使用蒸汽拖把前，用温和洗涤剂 and 适量的水进行处理。

用拖把进行蒸汽清洁

- ◆ 将手持式蒸汽清洁器安装到地板延伸件 (8)。
- ◆ 将清洁垫 (10) 置于地板上，魔术扣贴“环形”面朝上。
- ◆ 将蒸汽拖把往清洁垫 (10) 上轻压。
- ◆ 将蒸汽拖把连接至主电源。
- ◆ 按下开关 (1)。蒸汽拖把需要大约 15 秒钟进行加热。
- ◆ 旋转 Autoselect™ 旋钮 (2)，直至选定所需设置。数秒后，蒸汽将从蒸汽头中涌出。

注意！首次注水或运行干燥后，可能需要最长 45 秒时间来产生蒸汽。

- ◆ 蒸汽需要数秒钟时间进入清洁垫。完成以上步骤后，蒸汽拖把将能轻松在待清洁/清洗的表面上滑动。
- ◆ 在表面上慢慢推拉蒸汽拖把，用蒸汽彻底清洁地板的各个角落。
- ◆ 用完蒸汽拖把后，将手柄 (8) 返回到直立位置，确保稳固支撑并将其关闭。等待蒸汽拖把冷却 (约 5 分钟)。

小心! 使用时, 监控水箱水位非常重要。要重新装满水箱并继续清洁/清洗, 请将拖把直立放置, 确保其稳固支撑, 并关闭蒸汽拖把。从墙面插座上拔下工具插头, 然后重新注满水箱。

小心! 禁止让蒸汽拖把长时间停留在任一工作表面上。蒸汽拖把处于静止状态时, 切记使手柄保持竖直位置; 未使用蒸汽拖把时, 请确保将其开关关闭。

使用后

- ◆ 将 Autoselect™ 旋钮 (2) 旋到关闭位置。
- ◆ 等待蒸汽拖把冷却。
- ◆ 从墙面插座上拔下蒸汽拖把插头。
- ◆ 清空水箱。
- ◆ 拆卸清洁垫 (10) 并清洗以备下次使用 (注意遵循清洁垫上印制的清洁保养说明)。

附件

设备的性能取决于所使用的附件。BLACK+DECKER 附件依据高质量标准进行规划, 并设计用于增强设备的性能。使用这些配件会令您的设备如虎添翼。

手持式蒸汽清洁

警告! 使用时, 请将设备保持在水平位置。

- ◆ 附加所需的附件。
- ◆ 将手持式蒸汽清洁器连接到电源。
- ◆ 按下开关 (1)。蒸汽拖把需要大约 15 秒钟进行加热。
- ◆ 旋转 Autoselect™ 旋钮 (2), 直至选定所需设置。数秒后, 蒸汽将从蒸汽头中涌出。

注意! 首次注水或运行干燥后, 可能需要最长 45 秒时间来产生蒸汽。

- ◆ 使用手持式蒸汽清洁器后, 将 Autoselect™ 旋钮 (2) 旋转到关闭位置。按开关按钮 (1) 关闭设备并断开电源。等待设备冷却再存放 (约 5 分钟)。

故障排除

如果设备似乎无法正常运行, 请按照以下说明进行操作。如果仍不能解决问题, 请联系您当地的 BLACK+DECKER 维修代理。

问题	步骤	可能的解决方案
蒸汽拖把没有启动	1.	检查设备是否已插入墙壁插座。
	2.	使用开关 (1) 检查设备是否已打开
	3.	检查插头中的保险丝。
蒸汽拖把不产生蒸汽	4.	蒸汽拖把仅在蒸汽软管正确安装或 Autoselect™ 开启时才产生蒸汽。
	5.	检查水箱是否已满。注: 首次注水或运行干燥后, 可能需要最长 45 秒时间来产生蒸汽。
	6.	依次检查步骤 1、步骤 2 和步骤 3
蒸汽拖把在使用过程中停止产生蒸汽	7.	依次检查步骤 4、步骤 5 和步骤 3
蒸汽拖把在使用过程中产生的蒸汽太多	8.	逆时针旋转 Autoselect™ 旋钮 (2), 以减少产生的蒸汽量
蒸汽拖把在使用过程中产生的蒸汽太少	9.	顺时针旋转 Autoselect™ 旋钮 (2), 以增加产生的蒸汽量
在哪里可以获得更多信息/附件	10.	www.blackanddecker.com

维护与清洁

本 BLACK+DECKER 有线设备设计精良, 可以长期使用, 而且只需最少的维护。要持续获得令人满意的工作效果, 需要对工具进行适当的保养和定期清洁。

警告! 在对有线设备进行任何维护或清洁前, 请关闭设备电源并拔下插头。

- ◆ 使用软质湿布擦拭整个设备。
- ◆ 清除顽固污渍时, 可以使用软布蘸温和的肥皂水擦拭。

保养清洁垫

清洗须知: 不得使用织物柔顺剂, 再次使用前, 应待其彻底干透。

注意! 请按照清洁垫上印刷的清洗须知进行清洗。

保护环境



分类回收。本产品不得与普通家庭垃圾一起处理。

如果您发现您的 BLACK+DECKER 产品需要进行替换, 或您已经不再需要使用这些产品, 请勿将它们与家庭废物一起处理。请将它们单独分类回收。



分类回收使用过的产品和包装能够让材料得以再循环和再利用。再生材料的再利用有助于防止环境污染, 并降低对原材料的需求。

当地法规可能要求由市政废物处理点或向您出售新产品的零售商提供将家庭废物与电气产品分开收集的服务。

BLACK+DECKER 为结束使用期限的 BLACK+DECKER 产品提供了回收与再循环的设施。若要享受这项服务, 请将产品送回任一授权维修代理处, 他们将代表我们回收您的产品。

您可通过联系本手册中所记载的当地 BLACK+DECKER 办事处查询最靠近您的授权维修代理商的位置。此外, 您也可以通过网站获得授权的 BLACK+DECKER 维修代理商列表以及我们售后服务与联络方式的完整详情, 网址为: www.2helpU.com

服务信息

BLACK+DECKER 提供覆盖整个亚洲的公司隶属和授权服务地点。所有的 BLACK+DECKER 服务中心都具有训练有素的人员, 为客户提供高效和可靠的产品服务。不论您是需要技术建议、维修或原厂替换部件, 请联系最靠近您的 BLACK+DECKER 地点。

注

- ◆ BLACK+DECKER 的政策是持续改进我们的产品, 因此, 我们保留随时更改产品规格的权利, 恕不另行通知。
- ◆ 标准设备和配件可能会因为不同的国家而有所不同。
- ◆ 产品规格可能会因为不同的国家而有所不同。
- ◆ 并非所有的国家都有提供完整的产品系列。有关各产品系列的供货情况, 请联系您当地的 BLACK+DECKER 代理商。

制造商: 百得美国公司

地 址: 701 E Joppa Rd, TW050 MD21286 Towson, 美国

产 地: 江苏南通

FSMH1300FX 蒸氣拖把

技術資料

		FSMH1300FX
電壓	V _{ac}	110V
功率	W	1300
水箱容量	ml	500
重量	kg	2.4

請注意! 各地區上市產品/配件不盡相同, 請依台灣繁體中文說明書的內容為主。

Warning! Attachments and accessories are not the same in each region, please only refer to Taiwan Traditional Chinese description in this manual.

設計用途

BLACK+DECKER™ FSMH1300FX 蒸氣拖把的設計用途, 是對密封硬木、密封層壓、亞麻油地氈、乙烯基、磁磚、石質與大理石地板進行消毒與清潔。本器具僅供一般家庭室內使用, 營業使用者不適用一年保修條款。

安全說明



警告! 請閱讀所有安全警告及指示。若不遵循以下所示警告及指示, 可能會導致觸電、火災及/或嚴重傷害。



警告! 使用電源驅動的器具時, 應始終遵循基本的安全預防措施, 包括以下安全預防措施, 以降低發生火災、觸電以及人身傷害和重大損害的風險。

- ◆ 使用工具前, 請仔細閱讀本手冊全部內容。
- ◆ 器具的設計用途在本手冊中進行了描述。若使用非本指示手冊建議的任何配件或附件, 或運用本裝置執行非本指示手冊建議的任何操作, 可能會導致人身傷害。
- ◆ 請保留本手冊以供日後參考。

使用工具

- ◆ 請勿將蒸汽直接指向人、牲畜、電氣器具或電氣插座。
- ◆ 請勿讓器具淋雨。
- ◆ 請勿將器具浸入水中。
- ◆ 請勿讓器具處於無人值守的狀態。
- ◆ 器具不在使用中時, 請勿將其連接至電氣插座。
- ◆ 切勿拉扯電源線以中斷器具與插座的連接。讓器具引線遠離高溫、油脂與尖銳邊緣。
- ◆ 請勿以濕手握住蒸汽清潔器。
- ◆ 請勿透過拉扯電線來拉動或搬運器具、將電線用作手柄、在關門時卡住電線、貼著尖銳邊角拉扯電線或將電線置於高溫表面上。
- ◆ 若封閉空間內充滿由油式油漆稀釋劑、某些防蛀物質、易燃粉塵釋放的蒸氣或其他易爆或有毒蒸氣, 請勿在其中使用本器具。
- ◆ 請與製造商一起檢查地板的類型。
- ◆ 請勿在皮革、塗蠟的家具或地板、合成纖維、絲絨或其他對蒸氣敏感的易損材料上使用。



警告! 請勿在未密封的木料或未密封的層壓地板上使用。在塗蠟的表面或某些未塗蠟的地板上, 熱量與蒸汽作用可能會消除其光澤。我們始終建議您先在要清潔表面的隔離區域進行測試, 然後再繼續。我們還建議您查看地板製造商提供的使用與保養指示。

- ◆ 切勿將除鏽劑、芳香劑、含酒精的或清潔劑產品注入蒸氣清潔器中, 因為這可能會損壞清潔器或導致其使用時不安全。
 - ◆ 若在使用蒸汽功能時家用斷路器跳閘, 請立即中止產品的使用, 並連絡客戶支援中心。(小心觸電風險。)
 - ◆ 本器具會釋放很熱的蒸汽來清潔使用區域。這意味著在使用時, 蒸氣頭、清潔墊與地毯附件會變得非常熱。
- 小心!** 使用蒸氣拖把以及變更蒸氣拖把上的配件時, 請務必穿著適合的鞋。請勿穿著拖鞋或露腳趾的鞋。
- ◆ 蓋子在使用時可能會變熱。
 - ◆ 在使用時, 蒸汽可能會從器具中逸出。

- ◆ 使用本器具時應小心。在使用時，請勿接觸可能會變熱的任何部件。
- ◆ 在卸除水箱之前，請關閉本器具，並將手柄恢復為直立狀態。
- ◆ 若觀察到蒸汽從手持式蒸汽清潔器機體中逸出，請關閉該器具並中斷與電源供應器的連接，讓其冷卻。然後連絡您最近的授權維修代理商。請勿繼續使用本器具。

使用後

- ◆ 請先拔出本器具的插頭並讓其冷卻，然後再進行清潔。
- ◆ 不使用時，應將工具儲存在乾燥的地方。
- ◆ 切勿讓兒童接觸存放的器具。

檢查和維修

- ◆ 對工具進行任何維護或維修之前，請先拔出本器具的插頭並讓其冷卻。
- ◆ 使用前，請檢查器具是否有損壞或有故障的零件。檢查零件破損情況以及可能影響操作的開關損壞和任何其他狀況。
- ◆ 定期檢查電源引線是否損壞。
- ◆ 若發現任何零件已損壞或有故障，請勿使用器具。
- ◆ 將所有受損或有故障的零件送往授權的維修中心進行維修或更換。
- ◆ 除了本手冊中指定的零件之外，切勿嘗試卸下或更換任何其他零件。

他人的安全

- ◆ 年滿 8 歲的兒童，以及身體、感覺或心理機能不健全的人員或缺乏經驗及知識的人員，若在針對安全使用本器具的監督或指示之下，並已瞭解所涉及的危險，則可以使用本器具。兒童不得玩耍本器具。請勿在沒有監督的情況下讓小孩對本工具進行清潔和維護。
- ◆ 必須對兒童進行監督，以確保其不會玩耍本器具。

剩餘風險

使用工具時可能會出現未包括在隨附的安全警告中的其他剩餘風險。誤用、長時間使用工具等因素會導致這些風險。即使遵循相關安全規定並採用安全裝置，仍然無法避免某些殘餘風險。此類風險包括：

- ◆ 接觸旋轉/活動零件所引起的傷害。
- ◆ 接觸熱零件所引起的傷害。
- ◆ 更換任何部件或配件所引起的傷害。
- ◆ 長時間使用本器具所引起的傷害。長時間使用任何工具時，請確保定期休息。

電氣安全



警告! 本產品必須接地。請務必檢查電源電壓是否與銘牌一致。

電源插頭必須與插座相符。切勿以任何方式改裝插頭。使用未經改裝的插頭與相符的插座可降低觸電風險。

- ◆ 若電源線損壞，必須送往製造廠商或授權的 BLACK+DECKER 服務中心更換以避免發生危險。

延長電源線與 1 級產品

- ◆ 在本器具接地並使用 1 級結構時，必須使用 3 芯電源線。
- ◆ 在不損失電力的條件下，最長可以使用 30m (100 ft) 的電源線。

器具上的標籤

本器具上附帶以下圖示與日期代碼。



小心 灼熱蒸汽



不要讓兒童處於無人看管的狀態



請使用 60°C 水溫洗滌。請勿使用漂白劑或衣物柔順劑。

功能部件

本工具包括以下部分或全部功能部件。

1. 電源開關
2. Autoselect™ 智能選擇轉盤
3. 手持式蒸汽裝置手柄
4. 加水口蓋
5. 水箱
6. 接口
7. 地板延長管釋放鈕
8. 地板延長桿
9. 地板清潔頭
10. 清潔墊
11. 清潔墊拆卸片
12. 配件連接軟管
13. 圓形刷頭配件 (供用於難以清除的污漬)
14. 長形刷頭配件 (供用於瓷磚/灌漿)
15. 橡膠清潔器配件 (供用於淋浴屏/玻璃/鏡子/服裝/內飾)
16. 橡膠清潔器套

裝配



警告! 在嘗試根據以下任何說明進行操作前，請確保本器具已關閉並拔出插頭。器具已冷卻且不含水。

將地板延長桿連接至地板清潔頭 (圖 A)

- ◆ 將地板延長桿 (8) 牢牢推入地板清潔頭 (9)，確保其牢固地卡入到位。

將手持式蒸汽裝置連接至地板延長桿 (圖 B)

- ◆ 將手持式蒸汽裝置牢牢推入地板延長桿 (8) 上，確保其對準接口 (6)，並牢固地卡入到位。

警告! 每次使用前，檢查手持式蒸汽清潔器上的連接點和地板延長桿 (8) 之間的密封件。如果密封件故障或損壞，請與附近的授權維修代理聯絡。請勿使用本器具。

拆卸手持式蒸汽裝置

- ◆ 按下地板延長桿 (8) 上的釋放按鈕 (7)，並將手持式蒸汽裝置從接口 (6) 上提起。

安裝清潔墊 (圖 C)

您的 BLACK+DECKER 代理商可提供替換用清潔墊 (目錄號 FSMP20-XJ)。

- ◆ 將清潔墊 (10) 放在地板上，魔術貼「毛面」一側朝上。
- ◆ 在清潔墊 (10) 上向下輕輕按壓蒸汽拖把。

小心! 在任何地面上，任何時候都切勿將蒸汽拖把放在某處而置之不理。放置靜止不動的蒸汽拖把時，請務必使其保持直立，若不使用蒸汽拖把，請確保關閉其電源。

卸除清潔墊

小心! 變更蒸汽拖把上的清潔墊時，請務必穿著適合的鞋。

請勿穿著拖鞋或露腳趾的鞋。

- ◆ 將蒸汽拖把恢復為直立狀態，並「關閉」蒸汽拖把電源。
- ◆ 等候蒸汽拖把冷卻 (大約 5 分鐘)。
- ◆ 以清潔墊拆卸片 (11) 支撐重量，提起蒸汽拖把，分離魔術貼的毛面與刺面，從而卸除拖把上的清潔墊。

小心! 在任何地面上，任何時候都切勿將蒸汽拖把放在某處而置之不理。

放置靜止不動的蒸汽拖把時，請務必使其保持直立，若不使用蒸汽拖把，請確保關閉其電源。

向水箱中注水 (圖 D)

注意! 請在水箱中注入乾淨的自來水 (請勿使用任何添加劑或化學品)。

注意! 在硬水區域，建議使用去離子水。

- ◆ 向上翻轉打開加水口蓋 (4)。
- ◆ 請在水箱中注入水 (請勿使用任何添加劑或化學品)。

警告! 加注時，保持水平位置。

警告! 水箱的容量為 0.5 升。請勿在水箱中加太滿的水。

- ◆ 關閉加水口蓋 (4)。

注意! 確保加水口蓋已牢固固定。

使用

重要資訊! 若使用時遵循本手冊中的說明、安裝清潔墊並持續運作 90 秒，則本裝置將殺死 99.9% 的細菌與微生物。

開啟和關閉電源 (圖 F)

- ◆ 若要開啟本裝置，請按下電源開關 (1)。蒸汽拖把升溫需要大約 15 秒。
- ◆ 若要關閉本裝置，請按下電源開關 (1)。

小心! 在任何地面上，任何時候都切勿將蒸汽拖把放在某處而置之不理。放置靜止不動的蒸汽拖把時，請務必使其保持直立，若不使用蒸汽拖把，請確保關閉其電源。




小心! 在使用後，請務必倒空蒸汽拖把中的水。

注意! 在第一次注水或在水耗盡後再次注水時，產生蒸汽最多需要 45 秒

Autoselect™ 智能選擇技術 (圖 E)

本蒸汽拖把裝有 Autoselect™ 智能選擇轉盤 (2)，其中顯示了多種清潔應用。您可以根據特定清潔用途，選擇正確的操作模式。

使用 Autoselect™，透過旋轉 Autoselect™ 智能選擇轉盤 (2) 直到選擇所需的設定，在以下應用中選擇其一：

設定	拖把	手持式
	木材/層壓板	低蒸汽流量 ●
	瓷磚地板/乙烯基地板	中等蒸汽流量 ● ●
	石地板/大理石地板	高蒸汽流量 ● ● ●

本蒸汽拖把會根據您的特殊清潔操作，選擇所需的合適蒸汽量。

注意: 使用蒸汽拖把之前，請務必確保您使用的是正確設定。

將軟管和附件連接至手持式蒸汽清潔器

警告! 每次使用前，檢查手持式蒸汽清潔器上的連接點和蒸汽軟管 (12) 之間的密封件。如果密封件故障或損壞，請與附近的授權維修代理聯絡。請勿使用本器具。

連接軟管 (圖 H)

- ◆ 按下蒸汽軟管 (12) 上的蒸汽軟管釋放按鈕 (17)。
- ◆ 將蒸汽軟管 (12) 連接至手持式蒸汽清潔器，並鬆開蒸汽軟管釋放按鈕 (17)，確保其卡入到位。

重要資訊! 確保蒸汽軟管 (12) 牢牢地連接至手持式蒸汽清潔器。如果蒸汽從接頭逸出，則軟管安裝不正確。關閉電源，讓裝置冷卻，然後拆下並重新安裝軟管。

連接配件 (圖 I)

- ◆ 將蒸汽噴嘴 (12) 上的凸耳與附件的凹槽對齊。
- ◆ 將配件按壓至蒸汽噴嘴上，逆時針旋轉直到配件卡入到位。

重要資訊! 所有配件必須連接至蒸汽軟管 (12) 上以供使用。

拆卸軟管和配件

警告! 蒸汽軟管 (12)、蒸汽噴嘴和配件會在使用期間變熱。應等到裝置和所有配件冷卻下來然後再嘗試拆卸。

拆卸配件

- ◆ 順時針旋轉配件，然後將其拉離軟管 (12)。

拆卸軟管

- ◆ 按下蒸汽軟管 (12) 上的蒸汽軟管釋放按鈕 (17)，然後從手持式蒸汽裝置上拉開。

最佳使用提示

一般

- 小心:** 若未先安裝清潔墊，切勿使用蒸汽拖把。
- ◆ 在使用蒸汽拖把之前，請務必使用吸塵器清潔或清掃地板。
 - ◆ 本器具最簡易的使用方式，是將裝置傾斜至 45° 並緩慢清潔，一次清潔一小片區域。
 - ◆ 只使用不含添加劑或化學品的水與蒸汽拖把搭配使用。若要清除亞麻油地氈或乙烯基地板上難以去掉的污漬，可以先使用中性的清潔劑與一些水進行預處理，然後再使用蒸汽拖把。

用拖把進行蒸汽清潔

- ◆ 將手持式蒸汽清潔器安裝至地板延長桿 (8)。
- ◆ 將清潔墊 (10) 放在地板上，魔術貼「毛面」一側朝上。
- ◆ 在清潔墊 (10) 上向下輕輕按壓蒸汽拖把。
- ◆ 將蒸汽拖把連接至主電源。
- ◆ 按下電源開關 (1)。蒸汽拖把升溫需要大約 15 秒。
- ◆ 旋轉 Autoselect™ 智能選擇轉盤 (2) 直到達到所需設定。數秒後，蒸汽將從蒸汽頭中湧出。

注意! 首次注水或用乾後，可能需要長達 45 秒時間來產生蒸汽。

- ◆ 蒸汽進入清潔墊需要數秒時間。此後蒸汽拖把可在要消毒/清潔的地面上輕鬆滑動。
- ◆ 在整個地面上緩慢推拉蒸汽拖把，即可對每部分地面進行徹底的蒸汽清潔。
- ◆ 蒸汽拖把使用完成後，請將手柄 (8) 恢復為直立狀態，確保其受到支撐，並「關閉」蒸汽拖把。等候蒸汽拖把冷卻 (大約五分鐘)。

小心! 務必監控水箱中的水位。若要向水箱中再次注水並繼續消毒/清潔，請將蒸汽拖把保持直立狀態，確保其受到支撐，並「關閉」蒸汽拖把。從牆面插座上拔下裝置電源插頭，然後重新加注水箱。

小心! 在任何地面上，任何時候都切勿將蒸汽拖把放在某處而置之不理。放置靜止不動的蒸汽拖把時，請務必使其保持直立，若不使用蒸汽拖把，請確保關閉其電源。

使用後

- ◆ 將 Autoselect™ 智能選擇轉盤 (2) 旋到關閉位置。
- ◆ 等到蒸汽拖把冷卻。
- ◆ 從牆面插座上拔下蒸汽拖把插頭。
- ◆ 倒空水箱。
- ◆ 拆卸清潔墊 (10) 並清洗以備下次使用 (注意遵循清潔墊上印刷的清潔保養說明)。

配件

本器具的效能取決於所使用的配件。BLACK+DECKER 配件依據高品質標準進行規劃，並設計用於增強器具的效能。透過使用這些配件，設備將提供極佳效能。

手持式蒸汽清潔

警告! 使用時，請將裝置保持在水平位置。

- ◆ 連接所需配件。
- ◆ 將手持式蒸汽清潔器連接到主電源。
- ◆ 按下電源開關 (1)。蒸汽拖把升溫需要大約 15 秒。
- ◆ 旋轉 Autoselect™ 智能選擇轉盤 (2) 直到達到所需設定。數秒後，蒸汽將從蒸汽頭中湧出。

注意! 首次注水或用乾後，可能需要長達 45 秒時間來產生蒸汽。

- ◆ 使用完手持式蒸汽清潔器後，將 Autoselect™ 智能選擇轉盤 (2) 旋轉到關閉位置。按電源開關按鈕 (1) 關閉裝置並斷開電源連接。等到裝置冷卻再存放 (約五分鐘)。

疑難排解

若本器具似乎運作異常，請遵循以下說明。若如此未能解決問題，請聯絡您當地的 BLACK+DECKER 維修代理商。

問題	步驟	可能的解決方案
蒸汽拖把無法開啟	1.	檢查是否將本裝置插入牆壁上的插座中。
	2.	檢查是否已使用電源開關 (1) 開啟本裝置。
	3.	檢查插頭中的保險絲。
蒸汽拖把無法產生蒸汽	4.	蒸汽拖把僅在蒸汽軟管正確安裝或 Autoselect™ 開啟時才產生蒸汽。
	5.	檢查水箱是否已滿。注意：在第一次注水或在水耗盡後再次注水時，產生蒸汽最多需要 45 秒。
	6.	依次執行步驟 1-2 與 3 進行檢查
蒸汽拖把在使用期間停止產生蒸汽	7.	依次執行步驟 4、5 與 3 進行檢查
蒸汽拖把在使用期間產生的蒸汽過多	8.	逆時針旋轉 Autoselect™ 轉盤 (2)，以減少產生的蒸汽量
蒸汽拖把在使用期間產生的蒸汽過少	9.	順時針旋轉 Autoselect™ 轉盤 (2)，以增加產生的蒸汽量
我從何處可以取得更多資訊/配件	10.	http://bdk.stanleyblackanddecker.com/tw/

維護及清潔

本 BLACK+DECKER 插電式器具採用卓越的設計，能長時間使用，只需最少的維護。若要持續取得令人滿意的工作效果，需要對器具進行適當的保養與定期清潔。
警告! 在對插電式器具執行任何維護或清潔之前，請關閉本器具並拔出其插頭。

- ◆ 請使用柔軟的濕布擦拭本器具。
- ◆ 對於難以去掉的污痕，您可以使用肥皂與水構成的中性溶液將布弄濕。

清潔墊的保養

清洗保養說明 - 請勿使用織物柔軟劑 - 請讓其完全乾燥，然後再次使用。

小心! 請遵循清潔墊標籤上列印的清潔說明。

保護環境



分開收集。本產品必須與一般家庭廢物分開處置。

若您發現您的 BLACK+DECKER 產品需要進行替換，或您已經不再需要使用這些產品，請不要將它們與家庭廢物一起處置。務必將本產品送往分類收集處。



透過分開收集用過的產品與包裝，可以實現材料的循環再生利用。重複使用回收的材料有助於防止環境污染，並降低對原材料的需求。

當地法規可能要求由市政廢物回收點，或由向您出售新產品的經銷商來提供將電子產品與家庭廢物分類收集的服務。

BLACK+DECKER 在其產品使用壽命結束時提供 BLACK+DECKER 產品收集和回收循環利用的便利。若要享受此項服務，請將產品送回任一授權維修中心，由其代表我們進行收集。

您可以根據本手冊上所提供的地址與當地 BLACK+DECKER 辦事處聯絡，查詢離您最近的授權維修代理商所在位置。亦可瀏覽網站查詢 BLACK+DECKER 授權維修中心清單和售後服務及聯絡資料之詳細資訊，網址是：www.2helpU.com

維修資訊

BLACK+DECKER 提供遍佈亞洲的公司隸屬及授權服務地點。所有的 BLACK+DECKER 服務中心都具有訓練有素的人員，為客戶提供高效、可靠的產品服務。僅可由認證的技術人員執行。請勿交由非百得認證服務中心的認證技術人員進行修理、維護、調整。若產品經由非百得認證的維修工程師拆解、組裝、調整，恕無法適用百得一年家用保修條款。為充份發揮其功能，修理、維護、調整請務必使用原廠零件。

附註

- ◆ BLACK+DECKER 秉持不斷改善產品的原則，因此，我們保留隨時變更產品規格而不預先通知的權利。
- ◆ 標準設備及配件可能視國家/地區而有所不同。
- ◆ 產品規格可能視國家/地區而有所不同。
- ◆ 並非在所有的國家/地區都將提供完整的產品系列。如需各產品系列的供應情況，請聯絡您當地的 BLACK+DECKER 代理商。

經銷商: 特力股份有限公司

地址: 台北市內湖區新湖三路 23 號 1.2.5 樓

電話: 0800-552888

進口/委製廠商: 新加坡商百得電動工具(股)

公司台灣分公司

地址: 台北市士林區德行西路33號2樓

電話: 02-2834-1741

FSMH1300FX 스팀맵

기술 데이터

FSMH1300FX		
전압	Vac	220-240
전력	W	1300
탱크 용량	ml	500
무게	kg	2.4

용도

BLACK+DECKER™ 스팀맵은 코팅 및 방수 처리된 합판, 코팅 및 방수 처리된 원목, 리놀륨, 비닐, 세라믹 타일, 석재 및 대리석 바닥의 오염 물질을 제거하고 청소할 수 있도록 제작되었습니다. 본 제품은 실제 가정용입니다.

안전 지침



경고! 안전 경고와 지시 사항을 모두 읽으십시오.
아래 나열된 경고와 지시 사항을 준수하지 않으면 감전 및 화재 또는 심각한 부상을 초래할 수 있습니다.



경고! 주 전원 공급으로 구동되는 제품을 사용할 때는 화재, 감전, 신체 부상 및 제품 손상 위험을 줄이기 위해 항상 다음과 같은 기본적인 안전 주의 사항에 따라 사용해야 합니다.

- ◆ 제품을 사용하기 전에 본 사용 설명서 전체 내용을 잘 읽고 숙지하십시오.
- ◆ 본 사용 설명서에 제품의 용도가 설명되어 있습니다. 본 사용 설명서에서 권장하는 방식 이외의 다른 방식으로 본 제품을 조작하거나 액세서리 또는 부착물을 사용하는 경우 신체 부상의 위험이 있을 수 있습니다.
- ◆ 향후 참고할 수 있도록 본 사용 설명서를 잘 보관하십시오.

제품 사용

- ◆ 사람, 동물, 가전 제품 또는 전기 콘센트 쪽으로 스팀이 향하지 않도록 하십시오.
- ◆ 비에 노출되지 않도록 하십시오.
- ◆ 본 제품을 물에 담그지 마십시오.
- ◆ 본 제품을 방치하지 마십시오.
- ◆ 사용하지 않을 때는 제품을 전기 콘센트에 연결한 상태로 두지 마십시오.
- ◆ 제품을 소켓에서 분리할 때 절대로 충전기 리드 선을 잡아 당기지 마십시오. 제품이 열, 오일 및 날카로운 가장자리에 닿지 않도록 하십시오.
- ◆ 스팀 클리너를 젖은 손으로 다루지 마십시오.
- ◆ 코드로 잡아 당기거나 들고 다니거나, 코드를 손잡이로 사용하거나 날카로운 모서리 주변으로 코드를 잡아당기거나 코드를 가열된 표면에 노출시키지 마십시오.

- ◆ 유성 도료 희석제에서 분비되는 증기, 일부 방충 가풍, 가연성 분진 또는 기타 폭발성 또는 독성 증기가 가득한 밀폐된 공간에서 제품을 사용하지 마십시오.
- ◆ 바닥 유형은 제조업체에 문의하여 확인하십시오.
- ◆ 가족, 약산 광택제 가구 또는 바닥, 합성 섬유, 벨벳 또는 기타 약하고 증기에 민감한 재질에서 사용하지 마십시오.



경고! 비처리 목재 또는 비처리 합판 바닥에서 사용하지 마십시오. 약산으로 처리된 표면 또는 일부 약산이 처리되지 않은 바닥은 열과 증기 작용으로 인해 광택이 벗겨질 수 있습니다. 항상 진행하기 전에 청소할 표면의 고립된 영역을 테스트해 보는 것이 좋습니다. 또한 마루 제조업체의 사용 및 주의 지시 사항을 확인하는 것이 좋습니다.

- ◆ 방향성, 알코올 또는 세제 제품을 스팀 클리너에 넣지 마십시오. 이로 인해 제품이 손상되거나 사용 시 안전하지 않을 수 있습니다.
- ◆ 스팀 기능을 사용하는 동안 가정의 회로 차단기가 작동하는 경우, 즉시 제품 사용을 중단하고 고객 지원 센터에 문의하십시오. (감전 위험에 대해 주의하십시오.)
- ◆ 본 제품은 매우 뜨거운 증기를 내뿜어서 사용 영역을 살균합니다. 이는 스팀 헤드, 클리닝 패드 및 카펫 부착물이 사용 중에 매우 뜨거워진다는 의미입니다.

주의! 스팀맵을 사용하고 스팀맵의 액세서리를 바꿀 때는 적합한 신발을 신고 하십시오. 슬리퍼 또는 발가락 부분이 트인 신발을 신지 마십시오.

- ◆ 뚜껑은 사용 중에 뜨거워질 수 있습니다.
- ◆ 사용 중에 제품에서 증기가 새어 나갈 수 있습니다.
- ◆ 이 제품을 사용할 때는 각별히 주의해야 합니다. 사용 중에 뜨거워질 수 있는 부품을 만지지 마십시오.
- ◆ 물 탱크를 분리하기 전에 제품 스위치를 끄고 핸들을 똑바로 세워 두십시오.
- ◆ 스팀이 소형 스팀 클리너의 본체에서 빠져 나오는 것이 보일 경우, 스위치를 끄고 기기를 메인 공급 장치에서 분리하고 열을 식하십시오. 가까운 공인 수리점에 문의하십시오. 제품을 계속해서 사용하지 마십시오.

사용 후

- ◆ 청소하기 전에 제품의 플러그를 뽑아서 열을 식하십시오.
- ◆ 사용하지 않을 때에는 본 제품을 습기가 없는 건조한 장소에 보관해야 합니다.
- ◆ 어린이가 보관된 제품을 만지지 못하도록 해야 합니다.

검사 및 수리

- ◆ 유지 보수하거나 수리하기 전에 제품의 플러그를 뽑아서 열을 식하십시오.
- ◆ 사용 전, 제품이 손상되거나 결함 있는 부품이 있는지 점검하십시오. 부품 및 스위치 파손 등 정상적인 제품 사용에 영향을 미칠 수 있는 이상이 있는지 점검하십시오.
- ◆ 전원 리드 선의 손상 여부를 주기적으로 점검하십시오.
- ◆ 손상되거나 결함이 있는 부품이 있는 경우에는 제품을 사용하지 마십시오.

- ◆ 손상되거나 결함이 있는 부품은 공인 수리 대리점에 의뢰하여 교체 또는 수리하십시오.
- ◆ 본 사용 설명서에 명시된 내용 이외에는 어떤 부품도 제거하거나 교체하지 마십시오.

다른 사람들의 안전

- ◆ 이 제품은 신체, 지각능력 또는 정신능력이 낮거나 경험 및 지식이 부족한 사람(어린이포함)이 사용하도록 설계되지 않았습니다. 어린이가 제품을 가지고 놀게 해서는 안됩니다. 청소 및 유지 보수를 할 때 감독 없이 어린이 혼자 해서는 안됩니다.
- ◆ 어린이가 본 제품을 가지고 놀지 못하도록 항상 주의해야 합니다.

기타 발생 가능한 위험

- 청소기를 사용할 때 동봉된 안전 경고에 포함되어 있지 않은 기타 발생 가능한 위험들이 발생할 수 있습니다. 이러한 위험은 오용, 장시간 사용 등으로 인해 발생할 수 있습니다. 관련된 안전 규정을 준수하고 안전 장치를 사용한다고 해도 어떤 위험들은 피하지 못할 수도 있습니다. 이러한 위험들은 다음과 같은 것들이 있습니다.
- ◆ 작동 부품을 만져 발생하는 부상.
 - ◆ 뜨거운 부품을 만져 발생하는 부상.
 - ◆ 부품 또는 액세서리 변경으로 인한 부상.
 - ◆ 장시간에 걸친 제품 사용으로 인한 부상. 어떤 제품이든 장시간에 걸쳐 사용할 때는 반드시 정기적인 휴식을 취하십시오.

전기 안전



경고! 본 제품은 접지해야 합니다. 전원이 전동기 라벨에 기재된 전압과 일치하는지 항상 확인하십시오.

- 전원 플러그는 콘센트와 형식이 일치해야 합니다. 플러그를 어떤 형태로든 개조하지 마십시오. 개조되지 않은 플러그 및 형식이 일치하는 콘센트를 사용하면 감전 위험이 줄어듭니다.
- ◆ 전원 코드가 손상된 경우 사고가 발생하지 않도록 제조업체 또는 공인 BLACK+DECKER 서비스 센터에서 교체해야 합니다.

연장 케이블 및 Class 1 제품

- ◆ 제품이 접지되어 있고 Class 1 구조이므로 3 심 케이블을 사용해야 합니다
- ◆ 최대 30m까지 동력이 약해지지 않고 사용할 수 있습니다.

제품에 부착된 라벨

제품에는 제품에 표시된 날짜 코드와 함께 다음과 같은 그림이 있습니다.



주의 뜨거운 증기



어린이를 혼자 두고 제품 곁을 떠나지 마십시오



60°C에서 세탁하고, 표백 또는 섬유 유연제를 사용하지 마십시오

기능

본 제품에는 다음 기능들 중 일부 또는 모두가 포함되어 있습니다.

1. 켜짐/꺼짐 스위치
2. 스마트 셀렉트™ 다이얼
3. 스팀 청소기 핸들
4. 주입구 뚜껑
5. 물 탱크
6. 연결관
7. 플로어 연장관 분리 버튼
8. 플로어 연장관
9. 플로어 클리닝 헤드
10. 스팀맷 패드
11. 스팀맷 패드 분리 탭
12. 액세서리 부착 호스
- 13-1. 청소용 솔-블루 (얼룩 제거가 어려운 곳에 사용)
- 13-2. 청소용 솔-엘로우 (얼룩 제거가 어려운 곳에 사용)
14. 받침대
15. 고무 롤러 액세서리(샤워 스크린/유리/거울/의류/덮개에서 사용 시)

조립



경고! 다음 지침을 시도하기 전에, 제품 전원이 꺼졌고 플러그가 분리되었으며 제품이 식었고 물이 들어있지 않는지 확인하십시오.

플로어 클리닝 헤드에 플로어 연장관 장착(그림 A)

- ◆ 딸깍 소리가 나는지 확인하면서 플로어 연장관(8)을 플로어 클리닝 헤드(9)에 밀어 넣습니다.

플로어 연장관에 소형 스팀 기기 장착(그림 B)

- ◆ 정확하게 연결관(6)에 장착되었고 제자리에서 확실히 소리가 나는지 확인하면서 소형 스팀장치를 플로어 연장관(8)에 밀어 넣습니다.

경고! 매번 사용하기 전에 소형 스팀 클리너의 연결 지점과 플로어 연장관(8) 사이의 밀봉 부분을 검사하십시오. 밀폐 부분이 고장 났거나 손상된 경우 가까운 공인 수리 대리점에 문의하십시오. 본 제품을 사용하지 마십시오.

소형 스팀장치 분리

- ◆ 플로어 연장판(8)의 해제 버튼(7)을 눌러서 소형 스팀장치를 연결판(6)에서 들어 올립니다.

클리닝 패드 부착 (그림 C)

교체 스팀맷 패드는 BLACK+DECKER 판매점에서 구입할 수 있습니다(카탈로그 번호 FSPM20-KR).

- ◆ 벨크로 '고리' 쪽이 위를 향하도록 한 상태에서 스팀맷 패드(10)를 바닥에 놓으십시오.
- ◆ 스팀맷을 스팀맷 패드(10)에 놓고 살짝 아래로 누릅니다.

주의! 어떠한 바닥 표면에도 스팀맷을 장시간 동안 한 위치에 놔두지 마십시오. 항상 고정 시에는 수직 위치로 지지한 상태로 스팀맷을 놓고 사용하지 않을 때는 스팀맷이 꺼졌는지 확인하십시오.

클리닝 패드 제거

주의! 스팀맷의 스팀맷 패드를 교체할 때는 항상 적합한 신발을 신으십시오.

슬리퍼 또는 발가락 부분이 트인 신발을 신지 마십시오.

- ◆ 스팀맷을 수직 위치로 돌려 놓고 스팀맷을 'OFF'로 바꿉니다.
- ◆ 스팀맷이 식을 때까지 기다리십시오(약 5분).
- ◆ 스팀맷 패드 제거 탭(11)에 무게를 실어서, 스팀맷을 스팀맷패드에서 들어 올려서 벨크로 체결을 풉니다.

주의! 어떠한 표면에도 스팀맷을 장시간 동안 한 위치에 놔두지 마십시오.

항상 고정 시에는 수직 위치로 지지한 상태로 스팀맷을 놓고 사용하지 않을 때는 스팀맷이 꺼졌는지 확인하십시오.

물 탱크 보충(그림 D)

참고! 깨끗한 수돗물로 물 탱크를 채우십시오(첨가제나 화학제품을 사용하지 마십시오).

참고! 경수 지역의 경우, 비이온화 물을 사용하는 것이 좋습니다.

- ◆ 주입구 뚜껑(4)을 위로 젖혀서 엽니다.
- ◆ 물 탱크에 물을 채우십시오(첨가제나 화학제품을 사용하지 마십시오).

경고! 물을 채울 때 수평 위치를 유지하십시오.

경고! 물 탱크의 용량은 0.5 리터입니다. 물 탱크에 물을 너무 많이 넣지 마십시오.

- ◆ 주입구 뚜껑(4)을 닫으십시오.

참고! 주입구 뚜껑이 확실시 잠겼는지 확인하십시오.

사용법

중요! 이 기기는 본 설명서의 지침에 따라 사용하고 초극세사 패드를 부착하고 90초 동안 연속 작동했을 때 세균과 미생물을 99.9% 살균할 것입니다.

전원 켜기 및 끄기(그림 F)

- ◆ 제품 스위치를 켜려면, ON/OFF 스위치(1)를 누릅니다. 스팀맷을 예열하려면 약 15초가 걸립니다.
- ◆ 제품 스위치를 끄려면, ON/OFF 스위치(1)를 누릅니다.

주의! 어떠한 표면에도 스팀맷을 장시간 동안 한 위치에 놔두지 마십시오.

항상 고정 시에는 수직 위치로 지지한 상태로 스팀맷을 놓고 사용하지 않을 때는 스팀맷이 꺼졌는지 확인하십시오.


주의! 항상 사용 후에는 물통을 비워주세요.

참고! 처음 물을 채웠거나 건조한 상태로 작동한 후에는 스팀이 생성되는 데 최대 45 초 걸릴 수 있습니다.

스마트 셀렉트 기술(그림 E)

본 스팀맷에는 다양한 청소 용도를 보여 주는 스마트 셀렉트 다 이얼(2)이 장착되어 있습니다. 이를 사용해서 특정 청소를 위한 정확한 작동 모드를 선택합니다.

스마트 셀렉트를 사용해서, 필요한 설정이 선택될 때까지 스마트 셀렉트를(2) 돌려서 다음 용도 중 하나를 선택하십시오.

설정	방법	소형
	목재/합판 (코팅 및 방수처리)	증기 유량 적음 ●
	타일/바닐	증기 유량 중간 ● ●
	석재/대리석	증기 유량 많음 ● ● ●

스팀맷이 특정 청소 작업에 필요한 적절한 스팀 양을 선택할 것입니다.

참고: 스팀맷을 사용하기 전에 적절한 설정으로 사용하고 있는지 확인하십시오.

소형 스팀 클리너에 호스 및 액세서리 장착

경고! 매번 사용하기 전에 소형 스팀 클리너의 연결 지점과 스팀 호스(12) 사이의 밀봉 부분을 검사하십시오. 밀폐 부분이 고장 났거나 손상된 경우 가까운 공인 수리 대리점에 문의하십시오. 본 제품을 사용하지 마십시오.

호스 장착(그림 H)

- ◆ 스팀 호스(12)에 있는 스팀 호스 해제 버튼(17)을 누릅니다.
- ◆ 스팀 호스(12)를 소형 스팀 클리너에 연결하고 제자리에서 딸깍 소리가 나는지 확인하면서 스팀 호스 해제 버튼(17)을 놓습니다.

중요! 스팀 호스(12)가 소형 스팀 클리너에 단단히 연결되었는지 확인하십시오. 스팀이 이음부에서 빠져 나오는 경우 호스가 잘못 장착된 것입니다. 스위치를 끄고 기기를 식힌 다음 호스를 분리했다가 다시 장착하십시오.

액세서리 장착(그림 I)

- ◆ 스팀 노즐(12)의 스마트 셀렉트를 액세서리의 안쪽 홈에 맞춥니다.
- ◆ 액세서리를 스팀 노즐에 누르고 액세서리가 제 자리에 소리를 낼 때까지 시계 반대 방향으로 돌립니다.

중요! 모든 액세서리는 사용을 위해 스팀 호스(12)에 장착되어야 합니다.

호스 및 액세서리 분리

경고! 사용 중에 스팀 호스(12), 스팀 노즐 및 액세서리가 뜨거워질 수 있습니다. 분리하기 전에 기기와 모든 액세서리를 식혀 주십시오.

액세서리 분리

- ◆ 액세서리를 시계 방향으로 돌려 호스(12)에서 분리합니다.

호스 분리

- ◆ 스팀 호스(12)에 있는 스팀 호스 해제 버튼(17)을 눌러서 소형 스팀 기기에서 분리합니다.

최적의 사용법

일반

주의! 절대로 스팀맷 패드를 장착하지 않은 상태에서 스팀맷을 사용하지 마십시오.

- ◆ 스팀맷을 사용하기 전에 항상 바닥을 진공 청소하거나 빗자루로 청소하십시오.
- ◆ 제품을 사용하는 가장 쉬운 방법은 기기를 45° 로 기울여서 한 번에 적은 영역을 천천히 청소하는 것입니다.
- ◆ 스팀맷에는 첨가제나 화학물질을 넣지 않은 물만 사용하십시오. 비닐 또는 리놀륨 바닥에서 없애기 힘든 오염을 제거하려면, 스팀맷을 사용하기 전에 중성 세제와 약간의 물로 사전 처리할 수 있습니다.

걸레를 사용한 스팀 청소

- ◆ 소형 스팀 클리너를 플로어 연장관(8)에 장착합니다.
- ◆ 벨크로'고리'쪽이 위를 향하도록 한 상태에서 스팀맷 패드(10)를 바닥에 놓으십시오.
- ◆ 스팀맷을 스팀맷 패드(10)에 놓고 살짝 아래로 누릅니다.
- ◆ 스팀맷을 메인 콘센트에 연결합니다.
- ◆ ON/OFF 버튼(1)을 누릅니다. 스팀맷을 예열하려면 약 15초가 걸립니다.
- ◆ 스마트 셀렉트 다이얼(2)을 돌려서 필요한 설정에 놓습니다. 몇 초 후에 스팀 헤드에서 증기가 나오기 시작합니다.

참고! 처음 물을 채웠거나 건조한 상태로 작동한 후에는 스팀이 생성되는 데 최대 45초 걸릴 수 있습니다.

- ◆ 스팀이 스팀맷 패드에 들어가려면 몇 초가 걸립니다. 이후 스팀맷은 살균 청소할 바닥에서 손쉽게 미끄러집니다.
- ◆ 바닥에서 스팀맷을 밀고 당겨 모든 부분을 철저히 청소합니다.
- ◆ 스팀맷 사용을 마쳤으면, 스팀맷이 지지되고 있고 꺼졌는지 확인하면서 핸들(8)을 수직 위치로 돌려 놓습니다. 스팀맷이 식을 때까지 기다리십시오(약 5분).



경고! 코팅 및 방수처리 되지 않은 합판 또는 원목에서 사용하지 마십시오. 바닥 유형은 바닥 제조업체에 문의하여 확인 하십시오.

- ◆ 가족, 합성섬유, 벨벳 또는 기타 증기에 약하고 민감한 재질에서 사용하지 마십시오.

- ◆ 비처리 목재 또는 비처리 합판 바닥에 사용하지 마십시오. 약수로 처리된 표면의 경우 열과 증기 작용으로 인해 광택이 벗겨 질 수 있습니다. 항상 청소할 표면의 일부에 테스트 한 후 사용 바랍니다. 마루 제조업체의 사용 및 주의 지시 사항을 확인 하는 것이 좋습니다.

주의! 물 탱크의 물 레벨을 모니터링하는 것이 중요합니다. 물 탱크를 보충하고 살균/청소를 계속하려면 스팀맷이 지지되어 있고 'OFF' 상태인지 확인하면서 스팀맷을 세워두십시오. 전기 벽 콘센트에서 기기의 플러그를 뽑고, 물 탱크를 다시 채웁니다.

주의! 어떠한 바닥 표면에도 스팀맷을 장시간 동안 한 위치에 놔두지 마십시오. 항상 고정 시에는 수직 위치로 지지한 상태로 스팀맷을 놓고 사용하지 않을 때는 스팀맷이 꺼졌는지 확인하십시오.

사용 후

- ◆ 스마트 셀렉트 다이얼(2)을 OFF 위치로 바꿉니다.
- ◆ 스팀맷이 식을 때까지 기다리십시오.
- ◆ 전기 벽 콘센트에서 스팀맷의 플러그를 뽑으십시오.
- ◆ 물 탱크를 비우십시오.
- ◆ 스팀맷 패드(10)를 분리하여 다음 사용을 위해 닦아 놓으십시오(스팀맷 패드에 인쇄되어 있는 세척 관리 지침 사항을 준수하십시오).

액세서리

제품의 성능은 사용한 액세서리에 따라 결정됩니다. BLACK+DECKER 액세서리는 높은 품질 기준을 만족하도록 제조되었으며, 제품의 성능을 향상시키도록 설계되었습니다. 이러한 액세서리를 사용함으로써 제품의 기능을 최대한 활용할 수 있습니다.

소형 스팀 클리닝

경고! 사용하는 동안 기기를 수평으로 유지하십시오.

- ◆ 필요한 액세서리를 부착합니다.
- ◆ 소형 스팀 클리너를 본체에 연결합니다.
- ◆ ON/OFF 버튼(1)을 누릅니다. 스팀맷을 예열하려면 약 15초가 걸립니다.
- ◆ 스마트 셀렉트 다이얼(2)을 돌려서 필요한 설정에 놓습니다. 몇 초 후에 스팀 헤드에서 증기가 나오기 시작합니다.

참고! 처음 물을 채웠거나 건조한 상태로 작동한 후에는 스팀이 생성되는 데 최대 45초 걸릴 수 있습니다.

- ◆ 소형 스팀 클리너의 사용을 마쳤으면, 스마트 셀렉트 다이얼(2)을 OFF 위치로 놓으십시오. ON/OFF 버튼(1)을 눌러서 기기를 끄고 메인 공급 장치에서의 연결을 끊습니다. 보관하기 전에 기기가 식을 때까지 기다리십시오(약 5분).

문제 해결

제품이 제대로 작동하지 않는 것 같은 경우, 아래의 지침을 따르십시오. 문제가 해결되지 않는 경우, 가까운 BLACK+DECKER 수리 대리점에 문의하십시오.

문제	조치	가능한 해결책
스팀압이 커지지 않는다	1.	벽 콘센트에 기기의 플러그가 꽂혀 있는지 확인하십시오.
	2.	ON/OFF 스위치(1)를 사용해서 기기의 전원이 켜지는지 확인하십시오.
	3.	플러그의 퓨즈를 확인하십시오.
스팀압에서 스팀이 나오지 않는다	4.	스팀압은 스팀 호스가 정확하게 장착되어 있거나 오토 셀렉트™ 가 ON에 있을 경우에만 스팀이 생성됩니다.
	5.	물 탱크가 가득 차 있는지 확인하십시오. 참고: 처음 물을 채웠거나 건조한 상태로 작동한 후에는 스팀이 생성되는 데 최대 45 초 걸릴 수 있습니다.
	6.	조치 1, 2 및 3을 순서대로 확인하십시오.
사용 중에 스팀압이 스팀 생성이 멈춘다	7.	조치 4, 5 및 3을 순서대로 확인하십시오.
사용 중에 스팀이 너무 많이 나온다	8.	오토 셀렉트™ 다이얼(2)을 시계 반대 방향으로 돌려서 스팀 생성량을 줄이십시오.
사용 중에 스팀이 너무 적게 나온다	9.	오토 셀렉트™ 다이얼(2)을 시계 방향으로 돌려서 스팀 생성량을 늘리십시오.
추가 정보/액세서리를 어디에서 얻을 수 있습니까?	10.	www.blackanddecker.co.kr

유지보수 및 청소

BLACK+DECKER 유선 제품은 최소한의 유지 보수로 장기간에 걸쳐 작업이 가능하도록 설계되어 있습니다. 만족스러운 동작을 계속 유지하려면 적절한 제품 관리와 정기적인 청소가 필요합니다.

경고! 유선 제품의 유지 보수 또는 청소를 수행하기 전에 전원을 끄고 제품의 플러그를 뽑으십시오.

- ◆ 부드러운 젖은 헝겊으로 제품을 닦으십시오.
- ◆ 없애기 힘든 자국이 있는 경우, 따뜻한 비누와 물을 사용하여 헝겊을 축일 수 있습니다.

클리닝 패드 관리

세척 관리 지침 - 섬유 유연제 없이 사용 - 다시 사용하기 전에 충분히 말리십시오.

주의! 클리닝 패드 라벨에 인쇄되어 있는 클리닝 지침 사항을 따르십시오.

환경 보호



분리 수거. 본 제품을 일반 가정용 쓰레기로 처리하면 안됩니다.

BLACK+DECKER 제품을 교체해야 하거나 더 이상 쓸모가 없어졌다고 판단되면 본 제품을 가정용 쓰레기로 처리하지 마십시오. 이 제품은 분리 수거하십시오.



사용하던 제품과 포장용 분리를 수거하면 자원을 재활용 및 재사용할 수 있습니다. 재활용 자원을 이용하면 환경 오염이 방지되고 고철 자원에 대한 수요를 줄일 수 있습니다.

지역에 따라 가정용 가전제품을 분리 수거하는 규정이 마련되어 있거나 새로운 제품을 구입할 때 판매점에서 폐기 방법을 알려줄 수 있습니다.

BLACK+DECKER는 사용이 끝난 BLACK+DECKER 제품을 수집하여 재활용하기 위한 시설을 운영하고 있습니다. 이 서비스를 활용하려면 당사가 폐제품 수거를 위임한 공인 수리 대리점에 제품을 반환해 주십시오.

본 사용 설명서에 기재된 가까운 BLACK+DECKER 영업소에 연락하면 가까운 공인 수리 대리점 위치를 확인할 수 있습니다. 또는 다음 웹 사이트를 방문하여 공인 BLACK+DECKER 수리 지정점 목록과 A/S 및 연락처 등 자세한 정보를 찾아볼 수 있습니다(www.2helpU.com).

서비스 정보

BLACK+DECKER 제품은 가까운 대우전자 서비스센터 (구 대우일렉서비스센터)에서 받으실 수 있습니다. 모든 BLACK+DECKER 서비스 센터에는 교육을 이수한 전문 인원이 배치되어 있어 고객에게 효과적이고 믿을 수 있는 제품 서비스를 제공하고 있습니다.

기술 지원, 수리 또는 순정 교체 부품이 필요한 모든 경우에 가까운 BLACK+DECKER로 연락하십시오.

참고

- ◆ BLACK+DECKER는 제품을 지속적으로 개선하는 정책을 취하고 있기 때문에 사전 통지 없이 제품 사양이 변경될 수 있습니다.
- ◆ 기본 장비 및 액세서리 구성은 국가에 따라 다를 수 있습니다.
- ◆ 제품 사양은 국가에 따라 다를 수 있습니다.
- ◆ 국가에 따라 판매하지 않는 제품도 있을 수 있습니다. 제품 판매 여부는 해당 지역에 있는 BLACK+DECKER 판매점으로 문의하십시오.

FSMH1300FX PEL UAP

Data Teknis

		FSMH1300FX
Voltase	V _{AC}	220-240
Daya	W	1300
Kapasitas Tangki	ml	500
Berat	kg	2,4

Tujuan penggunaan

Pel uap FSMH1300FX BLACK+DECKER™ Anda telah dirancang untuk mensterilkan dan membersihkan kayu keras tertutup, pelapis tertutup, linoleum, vinil, ubin keramik, lantai batu dan marmer. Peralatan ini hanya ditujukan untuk penggunaan di dalam rumah.

Petunjuk keselamatan



Peringatan! Baca seluruh peringatan keselamatan dan seluruh petunjuk. Kegagalan mengikuti peringatan dan petunjuk yang tercantum di bawah ini dapat mengakibatkan sengatan listrik, kebakaran, dan/atau cedera berat.



Peringatan! Bila menggunakan peralatan listrik, tindakan pencegahan dasar untuk keselamatan, tindakan yang berikut, harus selalu diikuti untuk mengurangi risiko kebakaran, sengatan listrik, cedera tubuh, dan kerusakan bahan.

- ◆ Bacalah seluruh isi panduan ini dengan saksama sebelum mengoperasikan peralatan.
- ◆ Tujuan penggunaan dijelaskan dalam panduan ini. Penggunaan aksesoris atau peralatan tambahan atau pengoperasian peralatan selain yang disarankan dalam panduan ini dapat menimbulkan risiko cedera diri.
- ◆ Simpan panduan ini sebagai referensi di masa mendatang.

Menggunakan peralatan Anda

- ◆ Jangan menguapkan langsung pada orang, hewan, peralatan listrik, atau stopkontak.
- ◆ Jangan terkena hujan.
- ◆ Jangan masukkan peralatan ke dalam air.
- ◆ Jangan biarkan peralatan tanpa pengawasan.
- ◆ Jangan biarkan peralatan tersambung ke stopkontak jika tidak digunakan.
- ◆ Jangan tarik kabel daya untuk melepas peralatan dari soket. Jauhkan kabel peralatan dari panas, minyak, dan ujung yang tajam.
- ◆ Jangan pegang pembersih uap dengan tangan basah.

- ◆ Jangan tarik atau bawa dengan kabel, jangan gunakan kabel sebagai gagang, jangan tutup pintu pada kabel, jangan tarik kabel di sekitar sudut yang tajam atau jangan paparkan kabel pada permukaan yang dipanaskan.
- ◆ Jangan gunakan peralatan di ruang tertutup yang terisi dengan uap yang dikeluarkan oleh bahan pengencer cat yang berbasah dasar minyak, beberapa zat antingget, debu yang mudah terbakar, atau uap lainnya yang dapat meledak atau beracun.
- ◆ Tanyakan tipe lantainya kepada produsen.
- ◆ Jangan gunakan pada perabotan dari kulit atau lantai yang dilapkas dengan lilin cari, bahan sintetis, beludru, atau bahan lain yang halus dan sensitif terhadap uap.



Peringatan! Jangan gunakan pada kayu yang tidak tertutup atau lantai pelapis yang tidak tertutup. Pada permukaan yang telah diberi lilin cair atau beberapa lantai tanpa lilin cair, kilap dapat dibersihkan melalui panas dan tindakan penguapan. Selalu direkomendasikan untuk menguji area terisolasi dari permukaan yang akan dibersihkan sebelum melanjutkan. Kami juga merekomendasikan bahwa Anda memeriksa petunjuk penggunaan dan perawatan dari produsen lantai.

- ◆ Jangan memasukkan produk-produk pengawakerakan, aromatik, alkohol, atau deterjen ke pembersih uap, karena dapat merusak pembersih atau membuatnya tidak aman untuk digunakan.
- ◆ Jika pemutus sirkuit rumah aktif saat menggunakan fungsi uap, segera hentikan penggunaan produk dan hubungi pusat dukungan pelanggan. (Hati-hati terhadap risiko sengatan listrik.)
- ◆ Peralatan ini memancarkan uap yang sangat panas untuk membersihkan area penggunaan. Ini berarti bahwa kepala uap, bantalan pembersih, dan tambahan karpet menjadi sangat panas selama penggunaan.

Perhatian! Selalu kenakan sepatu yang nyaman saat menggunakan pel uap Anda dan saat mengganti aksesoris pada pel uap Anda. Jangan mengenakan sandal jepit atau sepatu dengan ujung terbuka.

- ◆ Tutup dapat menjadi panas selama penggunaan.
- ◆ Uap dapat keluar dari peralatan selama digunakan.
- ◆ Hati-hati saat menggunakan peralatan ini. JANGAN sentuh komponen apa pun yang dapat menjadi panas selama digunakan.
- ◆ Matikan peralatan dan kembalikan gagang ke posisi ke atas sebelum melepas tangki air.
- ◆ Jika ada uap yang keluar dari bodi pembersih uap genggam, matikan dan lepaskan unit dari pasokan listrik, biarkan dingin. Hubungi agen servis resmi terdekat Anda. Jangan lanjutkan menggunakan peralatan.

Setelah digunakan

- ◆ Cabut peralatan dan dinginkan sebelum dibersihkan.
- ◆ Bila tidak digunakan, peralatan ini harus disimpan di tempat yang kering.
- ◆ Jangan biarkan anak-anak mengakses peralatan yang disimpan.

Pemeriksaan dan perbaikan

- ◆ Cabut peralatan dan dinginkan sebelum melakukan perawatan atau perbaikan apa pun.
- ◆ Sebelum digunakan, periksa apakah ada komponen peralatan yang rusak atau cacat. Periksa apakah ada bagian yang patah, kerusakan tombol, dan kondisi lain yang dapat mempengaruhi pengoperasiannya.
- ◆ Periksa secara rutin kabel daya untuk mengetahui adanya kerusakan.
- ◆ Jangan gunakan peralatan ini jika ada komponen yang rusak atau cacat.
- ◆ Minta agen perbaikan resmi untuk memperbaiki atau mengganti bagian yang rusak maupun cacat.
- ◆ Jangan coba melepas atau mengganti bagian apa pun selain yang ditentukan dalam panduan ini.

Keselamatan orang lain

- ◆ Peralatan ini dapat digunakan oleh anak-anak yang berusia 8 tahun ke atas dan orang-orang yang menderita kekurangan kemampuan fisik, sensorik, atau mental, atau kurang pengalaman dan pengetahuan apabila mereka diberikan pengawasan atau petunjuk dalam penggunaan peralatan ini dengan cara yang aman dan memahami adanya bahaya terkait. Anak-anak dilarang bermain-main dengan peralatan ini. Pembersihan dan perawatan pengguna tidak boleh dilakukan oleh anak-anak tanpa pengawasan.
- ◆ Anak-anak harus diawasi agar mereka tidak bermain-main dengan peralatan ini.

Risiko-risiko lain.

Risiko-risiko lain dapat timbul saat menggunakan alat, yang mungkin tidak tercantum dalam peringatan keselamatan yang disertakan. Risiko-risiko ini dapat diakibatkan oleh penyalahgunaan, penggunaan yang terlalu lama, dsb. Sekalipun peraturan keselamatan terkait sudah diterapkan dan peralatan pengaman sudah digunakan, risiko-risiko lain tertentu tidak dapat dihindari. Ini meliputi:

- ◆ Cedera karena menyentuh komponen bergerak mana pun.
- ◆ Cedera akibat menyentuh komponen panas mana pun.
- ◆ Cedera yang terjadi saat mengganti komponen atau aksesoris.
- ◆ Cedera akibat penggunaan peralatan ini selama jangka waktu yang lama. Jika menggunakan peralatan apa pun selama jangka waktu yang lama, pastikan Anda mengistirahatkannya secara berkala.

Keselamatan kelistrikan



Peringatan! Produk ini harus dibumikan. Selalu periksa apakah catu daya sesuai dengan nilai tegangan yang tercantum pada papan nilai.

Steker listrik harus sesuai dengan soketnya. Jangan pernah memodifikasi steker dengan cara apa pun. Steker yang tidak dimodifikasi dan stopkontak yang sesuai akan mengurangi risiko sengatan listrik.

- ◆ Jika rusak, kabel daya harus diganti oleh produsen atau Pusat Servis BLACK+DECKER resmi guna menghindari terjadinya bahaya.

Kabel ekstensi & Produk kelas 1

- ◆ Kabel 3 inti harus digunakan karena peralatan Anda dibumikan dan merupakan konstruksi Kelas 1.
- ◆ Hingga 30 m (100 kaki) dapat digunakan tanpa kehilangan daya.

Label pada peralatan

Piktogram berikut beserta kode tanggal ditampilkan pada peralatan.



PERHATIAN Uap Panas



Jangan biarkan dengan anak-anak tanpa pengawasan



Cuci pada suhu 60°C. Jangan gunakan pemutih atau pelembut kain

Fitur-Fitur

Peralatan ini memiliki beberapa atau semua fitur berikut ini.

1. Sakelar on/off
2. Tombol Autoselect™
3. Gagang unit uap genggam
4. Tutup pengisi
5. Tangki air
6. Antarmuka
7. Tombol pelepas ekstensi lantai
8. Ekstensi lantai
9. Kepala untuk pembersih lantai
10. Bantalan pembersih
11. Tab pelepas bantalan pembersih
12. Selang alat tambahan aksesoris
13. Aksesoris sikat sudut (digunakan pada permukaan keras untuk menghilangkan noda)
14. Aksesoris sikat (untuk digunakan pada ubin/nat)
15. Aksesoris alat pembersih dari karet (untuk digunakan pada shower screen/kaca/cermin/pakaian/kain pelapis)
16. Sok alat pembersih dari karet

Perakitan



Peringatan! Sebelum mencoba melakukan salah satu petunjuk berikut, pastikan bahwa peralatan dimatikan dan dicabut, dan peralatan telah dingin dan tidak mengandung air.

Memasang ekstensi lantai ke kepala pembersih lantai (Gbr. A)

- ◆ Dorong ekstensi lantai (8) dengan kuat ke kepala pembersih lantai (9) dengan memastikannya terkunci dengan aman pada tempatnya.

Memasang unit uap genggam ke ekstensi lantai (Gbr. B).

- ◆ Dorong unit uap genggam dengan kuat ke dalam ekstensi lantai (8) dengan memastikannya terletak dengan benar pada antarmuka (6) dan terkunci aman ke tempatnya.

Peringatan! Periksa segel antara titik sambungan pada pembersih uap genggam dan ekstensi lantai (8) sebelum masing-masing digunakan. Jika segel tidak berfungsi atau rusak, silakan hubungi agen perbaikan resmi terdekat. Jangan gunakan peralatan.

Melepas unit uap genggam

- ◆ Tekan tombol pelepas (7) pada ekstensi lantai (8) dan angkat unit uap genggam dari antarmuka (6).

Memasang bantalan pembersih (Gbr. C)

Bantalan pembersih pengganti tersedia dari dealer BLACK+DECKER:- (cat no. FSMP20-XJ).

- ◆ Letakkan bantalan pembersih (10) di lantai dengan sisi 'tali' velcro menghadap ke atas.
- ◆ Injak pel uap pada bantalan pembersih secara perlahan (10).

Perhatian: Jangan pernah meninggalkan pel uap di satu titik pada permukaan apa pun selama beberapa waktu. Selalu letakkan pel uap dengan tertopang dalam posisi ke atas jika stasioner dan pastikan pel uap dimatikan jika tidak digunakan.

Melepas bantalan pembersih

Perhatian! Selalu kenakan sepatu yang sesuai saat mengganti bantalan pembersih pada pel uap Anda. Jangan mengenakan sandal jepit atau sepatu dengan ujung terbuka.

- ◆ Kembalikan pel uap ke posisi ke atas dan 'MATIKAN' pel uap.
- ◆ Tunggu sampai pel uap mendingin (sekitar 5 menit).
- ◆ Angkat pel uap jauh dari bantalan pembersih agar terbebas dari pengikat velcro dengan meletakkan berat pada tab pelepas bantalan pembersih (11).

Perhatian: Jangan pernah meninggalkan pel uap di satu titik pada permukaan apa pun selama beberapa waktu. Selalu letakkan pel uap dengan tertopang dalam posisi ke atas jika stasioner dan pastikan pel uap dimatikan jika tidak digunakan.

Mengisi tangki air (Gbr. D)

Catatan! Isi tangki air dengan air keran yang bersih (Jangan menggunakan aditif atau bahan kimia).

Catatan! Di area yang sulit air, penggunaan air de-ionisasi direkomendasikan.

- ◆ Buka tutup pengisi (4) dengan memutar ke atas.
- ◆ Isi tangki air dengan air (Jangan menggunakan aditif atau bahan kimia apa pun).

Peringatan! Saat mengisi, pertahankan dalam posisi horizontal.

Peringatan! Tangki air Anda memiliki kapasitas 0,5 liter. Jangan mengisi tangki sampai penuh.

- ◆ Tutup tutup pengisi(4).

Catatan! Pastikan tutup pengisi dikencangkan dengan kuat.

Penggunaan

Penting! Unit ini akan membunuh 99,9% bakteri dan kuman jika digunakan sesuai dengan petunjuk dalam buku panduan ini dan dengan bantalan serat mikro yang terpasang dan waktu pengoperasian yang terus-menerus selama 90 detik.

Menyalakan dan mematikan (Gbr. F)

- ◆ Untuk menyalakan peralatan, tekan tombol ON/Off (1). Memerlukan waktu sekitar 15 detik agar pel uap memanans.
- ◆ Untuk mematikan peralatan, tekan tombol ON/Off (1).

Perhatian! Jangan pernah meninggalkan pel uap di satu titik pada permukaan apa pun selama beberapa waktu.

Selalu letakkan pel uap dengan tertopang dalam posisi ke atas jika stasioner dan pastikan pel uap dimatikan jika tidak digunakan.

Perhatian! Selalu kosongkan pel uap setelah digunakan.

Catatan! Saat pertama kali diisi atau setelah mengering, memerlukan waktu hingga 45 detik agar mengeluarkan uap

Teknologi Autoselect™ (Gbr. E)

Pel uap ini dipasang dengan tombol Autoselect™ (2) yang menunjukkan beragam aplikasi pembersihan. Aplikasi digunakan untuk memilih mode pengoperasian yang tepat untuk operasi pembersihan tertentu.

Menggunakan Autoselect™, pilih dari salah satu aplikasi berikut dengan memutar tombol Autoselect™ (2) hingga pengaturan yang diperlukan dipilih.

Pengaturan	Pel	Genggam
	Kayu/Pelapis	Aliran uap rendah ●
	Ubin/Vinil	Aliran uap sedang ● ●
	Batu/Marmer	Aliran uap tinggi ● ● ●

Pel uap akan memilih volume uap yang tepat yang diperlukan untuk operasi pembersihan tertentu.

Catatan: Selalu periksa bahwa Anda menggunakan pengaturan yang tepat sebelum menggunakan pel uap Anda.

Memasang selang dan aksesoris ke pembersih uap genggam

Peringatan! Periksa segel antara titik sambungan pada pembersih uap genggam dan selang uap (12) sebelum masing-masing digunakan. Jika segel tidak berfungsi atau rusak, silakan hubungi agen perbaikan resmi terdekat. Jangan gunakan peralatan.

Memasang selang (Gbr. H)

- ◆ Tekan tombol pelepas selang uap (17) pada selang uap (12).
- ◆ Sambungkan selang uap (12) ke pembersih uap genggam dan lepaskan tombol pelepas selang uap (17) untuk memastikannya terkunci pada tempatnya.

Penting! Pastikan bahwa selang uap (12) tersambung dengan aman ke pembersih uap genggam. Jika uap keluar dari sambungan, maka selang terpasang dengan tidak benar. Matikan dan biarkan unit mendingin, lalu lepas dan pasang kembali selang.

Memasang aksesoris (Gbr. I)

- ◆ Selaraskan dudukan pada nosel uap (12) dengan ceruk pada aksesoris.
- ◆ Dorong aksesoris ke dalam nosel uap dan putar berlawanan arah jarum jam sampai aksesoris terkunci pada tempatnya.

Penting! Semua aksesoris harus terpasang pada selang uap (12) untuk digunakan.

Melepas selang dan aksesoris

Peringatan! Selang uap (12), Nosel uap, dan aksesoris menjadi panas saat digunakan. Biarkan unit dan semua aksesoris dingin sebelum mencoba melepas.

Melepas aksesoris

- ◆ Putar aksesoris searah jarum jam, lalu tarik jauh dari selang (12).

Melepas selang

- ◆ Tekan tombol pelepas selang uap (17) pada selang uap (12) dan tarik jauh dari unit uap genggam.

Petunjuk untuk penggunaan secara optimal

Umum

Perhatian: Jangan gunakan pel uap tanpa memasang bantalan pembersih terlebih dahulu.

- ◆ Selalu gunakan penyedot debu atau sapu lantai sebelum menggunakan pel uap.
- ◆ Cara termudah untuk menggunakan peralatan ini adalah memiringkan unit ke sudut 45° dan bersihkan secara perlahan, mencakup area kecil sekaligus.
- ◆ Hanya gunakan air, tanpa aditif atau bahan kimia dengan pel uap Anda. Untuk membersihkan noda yang sulit dibersihkan dari lantai vinil atau linoleum, Anda dapat memberikan deterjen lembut terlebih dahulu dan sedikit air sebelum menggunakan pel uap.

Pembersihan uap dengan pel

- ◆ Pasang pembersih uap genggam ke ekstensi lantai (8).
- ◆ Letakkan bantalan pembersih (10) di lantai dengan sisi 'tali' velcro menghadap ke atas.
- ◆ Injak pel uap pada bantalan pembersih secara perlahan (10).
- ◆ Sambungkan pel uap ke alat listrik induk.
- ◆ Tekan tombol ON/OFF (1). Memerlukan waktu sekitar 15 detik agar pel uap memanaskan.
- ◆ Putar tombol Autoselect™ (2) hingga pengaturan yang diperlukan dicapai. Setelah beberapa detik, uap akan mulai keluar dari kepala uap.

Catatan! Saat pertama kali diisi atau setelah mengering, memerlukan waktu hingga 45 detik agar mengeluarkan uap.

- ◆ Memerlukan waktu beberapa detik agar uap masuk ke bantalan pembersih. Pel uap sekarang akan meluncur dengan mudah melalui permukaan yang akan dibersihkan.
- ◆ Dorong dan tarik pel uap secara perlahan pada permukaan untuk membersihkan setiap bagian dengan uap secara menyeluruh.
- ◆ Jika sudah selesai menggunakan pel uap, kembalikan gagang (8) ke posisi tegak, guna memastikan bahwa gagang tertopang, kemudian 'MATIKAN'. Tunggu sampai pel uap mendingin (sekitar lima menit).

Perhatian! Penting untuk memantau tingkat air di dalam tangki air. Untuk mengisi ulang tangki air dan lanjut membersihkan, tahan pel pada posisi tegak guna memastikan bahwa pel tertopang, kemudian 'MATIKAN' pel uap. Cabut unit dari stopkontak dan isi ulang tangki air.

Perhatian! Jangan pernah meninggalkan pel uap di satu titik pada permukaan apa pun selama beberapa waktu. Selalu letakkan pel uap dengan tertopang dalam posisi ke atas jika stasioner dan pastikan pel uap dimatikan jika tidak digunakan.

Setelah digunakan

- ◆ Putar tombol Autoselect™ (2) ke posisi OFF.
- ◆ Tunggu sampai pel uap mendingin.
- ◆ Cabut pel uap dari stopkontak.
- ◆ Kosongkan tangki air.
- ◆ Lepas bantalan pembersih (10) dan cuci bersih agar siap digunakan pada penggunaan berikutnya (ikuti petunjuk pencucian yang tercetak pada bantalan pembersih dengan saksama).

Aksesori

Kinerja dari peralatan Anda tergantung pada aksesori yang digunakan. Aksesori BLACK+DECKER dibuat dengan standar kualitas yang tinggi dan dirancang untuk meningkatkan kinerja peralatan Anda. Dengan menggunakan aksesori tersebut, Anda akan memaksimalkan penggunaan peralatan Anda.

Pembersihan uap genggam

Peringatan! Selama digunakan, pertahankan posisi alat dalam posisi horizontal.

- ◆ Pasang aksesori yang diperlukan.
- ◆ Sambungkan pembersih uap genggam ke alat listrik induk.
- ◆ Tekan tombol ON/OFF (1). Memerlukan waktu sekitar 15 detik agar pel uap memanass.
- ◆ Putar tombol Autoselect™ (2) hingga pengaturan yang diperlukan dicapai. Setelah beberapa detik, uap akan mulai keluar dari kepala uap.

Catatan! Saat pertama kali diisi atau setelah mengering, memerlukan waktu hingga 45 detik agar mengeluarkan uap.

- ◆ Jika sudah selesai menggunakan pembersih uap genggam, putar tombol Autoselect™ (2) ke posisi OFF. MATIKAN unit dengan menekan tombol ON/OFF (1) dan lepaskan dari sumber listrik. Tunggu sampai unit dingin sebelum menyimpan (sekitar lima menit).

Pemecahan masalah

Jika peralatan Anda tampak tidak beroperasi dengan semestinya, ikutilah petunjuk-petunjuk di bawah ini. Jika cara tersebut tidak mengatasi masalah, hubungi agen perbaikan BLACK+DECKER setempat Anda.

Masalah	Langkah	Penyelesaian yang mungkin
Pel uap tidak menyala	1.	Pastikan unit dicolokkan pada stopkontak dinding.
	2.	Pastikan unit diaktifkan menggunakan sakelar ON/OFF (1)
	3.	Periksa sekering pada steker.

Masalah	Langkah	Penyelesaian yang mungkin
Pel uap tidak mengeluarkan uap	4.	Pel uap hanya akan mengeluarkan uap jika selang uap terpasang dengan benar atau Autoselect™ DINYALAKAN.
	5.	Pastikan tangki air penuh. Catatan: Saat pertama kali diisi atau setelah mengering, memerlukan waktu hingga 45 detik agar mengeluarkan uap.
	6.	Periksa langkah 1, lalu 2, lalu 3
Pel uap berhenti mengeluarkan uap selama penggunaan	7.	Periksa langkah 4, lalu 5, lalu 3
Pel uap mengeluarkan terlalu banyak uap selama penggunaan	8.	Putar tombol Autoselect™ (2) berlawanan arah jarum jam untuk mengurangi jumlah uap yang dikeluarkan
Pel uap mengeluarkan terlalu sedikit uap selama penggunaan	9.	Putar tombol Autoselect™ (2) searah jarum jam untuk menambah jumlah uap yang dikeluarkan
Di manakah saya bisa mendapatkan informasi lebih lanjut/ aksesori	10	www.blackanddecker.com

Pemeliharaan dan pembersihan

Peralatan kabel BLACK+DECKER Anda telah dirancang untuk beroperasi dalam waktu yang lama dengan minimum perawatan. Pengoperasian yang memuaskan secara terus-menerus bergantung pada perawatan peralatan yang benar serta pembersihan secara teratur.

Peringatan! Sebelum melakukan langkah perawatan atau pembersihan apa pun pada peralatan berkabel Anda, matikan dan cabut peralatan dari sumber daya.

- ◆ Bersihkan peralatan Anda menggunakan kain lembap yang lembut.
- ◆ Untuk tanda yang sulit dibersihkan, Anda dapat menggunakan larutan lembut dari sabun dan air untuk melembapkan kain Anda.

Perawatan bantalan pembersih

Petunjuk pencucian - Tanpa pengondisi bahan - Biarkan kering seluruhnya sebelum digunakan kembali.

Perhatian! Ikuti petunjuk pembersihan yang tercetak pada label bantalan pembersih.

Melindungi lingkungan



Pengumpulan terpisah. Produk ini tidak boleh dibuang bersama limbah rumah tangga biasa.

Jika produk BLACK+DECKER Anda perlu diganti, atau tidak lagi digunakan, jangan buang bersama sampah rumah tangga. Pisahkan pembuangan produk ini.



Pengumpulan produk dan kemasan bekas secara terpisah memungkinkan bahan untuk didaur ulang dan digunakan lagi. Penggunaan kembali bahan yang didaur ulang membantu mencegah pencemaran lingkungan dan mengurangi kebutuhan bahan baku.

Undang-undang setempat mungkin memfasilitasi pengumpulan produk-produk kelistrikan terpisah dari sampah rumah tangga, di tempat pembuangan sampah kota atau oleh pedagang ritel pada saat Anda membeli produk baru.

BLACK+DECKER menyediakan fasilitas untuk pengumpulan dan pendaurulangan produk BLACK+DECKER yang telah mencapai akhir masa pakainya. Untuk memanfaatkan layanan ini, harap kembalikan produk Anda kepada agen reparasi resmi yang akan mengumpulkannya atas nama kami.

Anda dapat menemukan lokasi agen reparasi resmi terdekat dengan Anda dengan menghubungi kantor BLACK+DECKER setempat Anda di alamat yang tercantum pada buku petunjuk ini. Cara lainnya, daftar agen perbaikan BLACK+DECKER resmi serta informasi terperinci layanan purnajual dan kontak kami tersedia di Internet di: www.2helpU.com

Informasi Servis

BLACK+DECKER menawarkan jaringan lengkap milik perusahaan dan lokasi servis resmi di seluruh Asia. Semua Pusat Servis BLACK+DECKER memiliki staf terlatih agar dapat memberikan layanan produk yang efisien dan andal kepada konsumen.

Bila Anda membutuhkan saran teknis, perbaikan, atau suku cadang pengganti asli pabrik, hubungi lokasi BLACK+DECKER terdekat.

CATATAN

- ◆ BLACK+DECKER memiliki kebijakan untuk terus meningkatkan produk dan karenanya, kami berhak mengubah spesifikasi produk tanpa pemberitahuan sebelumnya.
- ◆ Perlengkapan dan aksesori standar mungkin akan berbeda menurut negara.
- ◆ Spesifikasi produk dapat berbeda menurut negara.
- ◆ Pilihan produk lengkap mungkin tidak tersedia di semua negara. Untuk mengetahui ketersediaan produk, hubungi dealer BLACK+DECKER setempat Anda.

FSMH1300FX

เครื่องดูดฝุ่นระบบไอน้ำ

ข้อมูลด้านเทคนิค

FSMH1300FX		
แรงดันไฟฟ้า	V _{ac}	220-240
กำลังไฟ	วัตต์	1300
ความจุกระบอกบรรจุ	มล.	500
น้ำหนัก	กก.	2.4

วัตถุประสงค์ในการใช้งาน

เครื่องดูดฝุ่นระบบไอน้ำ BLACK+DECKER™ รุ่น FSMH1300FX ได้รับการออกแบบมาเพื่อใช้ฆ่าเชื้อโรคและทำความสะอาดไม้เนื้อแข็ง เคลือบผิว ลามิเนตเคลือบผิว เลื่อน้ำมัน วัสดุ กระเบื้องเซรามิก พื้นหิน และหินอ่อน เครื่องมือนี้มีวัตถุประสงค์เพื่อการใช้งานภายในอาคารเท่านั้น

ข้อปฏิบัติเพื่อความปลอดภัย



คำเตือน! โปรดอ่านคำเตือนเพื่อความปลอดภัยและคำแนะนำทั้งหมด การไม่ปฏิบัติตามคำเตือนและคำแนะนำเหล่านี้ อาจทำให้ถูกไฟฟ้าช็อต เกิดเพลิงไหม้ และ/หรือบาดเจ็บสาหัสได้



คำเตือน! เมื่อใช้เครื่องมือไฟฟ้าที่ใช้ไฟจากสายเมน ต้องปฏิบัติตามข้อควรระวังเพื่อความปลอดภัยพื้นฐาน รวมทั้งข้อควรระวังต่อไปนี้ เพื่อลดความเสี่ยงต่อการเกิดไฟไหม้ ถูกไฟดูด ได้รับความบาดเจ็บ และวัสดุเสียหาย

- ◆ อ่านคู่มือเล่มนี้ทั้งหมดอย่างละเอียดก่อนใช้งานเครื่องมือนี้
- ◆ วัตถุประสงค์ในการใช้งานได้อธิบายไว้ในคู่มือนี้แล้ว การใช้อุปกรณ์เสริมหรืออุปกรณ์ยึดติด หรือการใช้งานใดๆ กับเครื่องมือนี้ นอกเหนือจากที่ได้แนะนำในคู่มือการใช้งานนี้ อาจเสี่ยงต่อการได้รับความบาดเจ็บ
- ◆ เก็บรักษาเครื่องมือไว้เพื่อการอ้างอิงในอนาคต

การใช้เครื่องมือของคุณ

- ◆ อย่าพ่นไอน้ำไปยังคน สัตว์ เครื่องใช้ไฟฟ้าหรือตัวรับโดยตรง
- ◆ อย่าให้เครื่องถูกฝน
- ◆ อย่าจุ่มเครื่องลงในน้ำ
- ◆ อย่าปล่อยเครื่องทิ้งไว้โดยไม่มีผู้ดูแล
- ◆ อย่าเสียบปลั๊กไฟของเครื่องมือเข้ากับตัวรับทิ้งไว้เมื่อไม่ใช้งาน
- ◆ ห้ามดึงสายไฟเพื่อถอดปลั๊กของเครื่องออกจากตัวรับ เก็บสายไฟของเครื่องให้พ้นจากความร้อน น้ำมัน และของมีคม
- ◆ อย่าใช้มือเปียกสัมผัสเครื่องทำความสะอาดระบบไอน้ำ
- ◆ อย่าดึงหรือหัวเครื่องด้วยสายไฟ อย่าใช้สายไฟเป็นที่จับ อย่าปิดประตูหีบสายไฟ อย่าดึงสายไฟถูกมุมที่คมหรืออย่าให้สายสัมผัสกับพื้นผิวที่ร้อน

- ◆ อย่าใช้เครื่องมือในพื้นที่ปิดซึ่งเต็มไปด้วยไอระเหยของทินเนอร์ สไตรีน แก๊สแมลงบางประเภท ฝุ่นผงที่มีคุณสมบัติไวไฟ หรือไอระเหยอื่นๆ ที่สามารถระเบิดได้หรือเป็นพิษ
- ◆ ตรวจสอบประเภทของพื้นจากทางผู้ผลิต
- ◆ อย่าใช้กับเครื่องหนึ่ง เฟอร์นิเจอร์หรือพื้นที่ขัดเคลือบเงาด้วยแว็กซ์ ผ้าใยสังเคราะห์ ก้ามเหยี่ยวหรือวัสดุอื่นๆ ที่บอบบางหรือไวต่อไอน้ำ



คำเตือน! ห้ามใช้กับพื้นไม้ที่ไม่ได้เคลือบผิวหรือพื้นลามิเนตที่ไม่ได้เคลือบผิว สำหรับพื้นผิวที่ขัดเคลือบเงาไวด้วยแว็กซ์หรือพื้นบางประเภทที่ไม่ได้ลงแว็กซ์ไว้ ความเงางามอาจลดลง เนื่องจากผลของความร้อนและไอน้ำ ขอแนะนำให้ลองทดสอบพื้นผิวที่ต้องการทำความสะอาดในบริเวณพื้นผิวที่แยกไว้ล่วงหน้าก่อนใช้งานจริงทุกครั้ง นอกจากนี้ คุณยังควรศึกษาคำแนะนำในการใช้และการดูแลรักษาจากผู้ผลิตพื้น

- ◆ ห้ามทดสอบผลิตภัณฑ์จัดตะแกรง ผลิตภัณฑ์ที่มีสารอะโรมาติก ผลิตภัณฑ์ที่มีแอลกอฮอล์หรือผลิตภัณฑ์สารซักล้างลงในเครื่องทำความสะอาดด้วยระบบไอน้ำ เนื่องจากอาจทำให้เครื่องเสียหายหรือไม่ปลอดภัยต่อการใช้งาน
- ◆ หากเชอร์กิตเบรกเกอร์ของบ้านตัดไฟระหว่างใช้งานการพ่นไอน้ำ ให้ยุติการใช้งานเครื่องทันที แล้วติดต่อศูนย์บริการลูกค้า (ระวังอันตรายจากไฟฟ้าช็อต)
- ◆ เครื่องใช้จะพ่นไอน้ำร้อนเพื่อฆ่าเชื้อโรคบริเวณพื้นที่ซึ่งจะใช้งาน ทั้งนี้หมายความว่าหัวพ่นไอน้ำ แผ่นทำความสะอาด และแผ่นเสริมทำความสะอาดพรมจะร้อนมากในระหว่างใช้งาน

ข้อควรระวัง! สวมรองเท้าที่เหมาะสมเสมอ เมื่อใช้งานเครื่องดูดฝุ่นระบบไอน้ำและเมื่อเปลี่ยนอุปกรณ์เสริมให้เครื่องดูดฝุ่นระบบไอน้ำ ห้ามสวมรองเท้าแตะหรือรองเท้าเปิดหัว

- ◆ ฝาปิดอาคารระหว่างการใช้งาน
- ◆ อาจมีไอน้ำพ่นออกจากเครื่องมือระหว่างการใช้งาน
- ◆ ควรใช้ความระมัดระวังในการใช้งานเครื่องมือนี้ ห้ามสัมผัสชิ้นส่วนต่างๆ ซึ่งอาจร้อนระหว่างการใช้งาน
- ◆ ปิดเครื่อง แล้วโยกมือจับให้หยุดตำแหน่งตั้งตรงเหมือนเดิมก่อนถอดกระบอกน้ำออก
- ◆ หากมีไอน้ำออกมาจากตัวเครื่องทำความสะอาดระบบไอน้ำแบบมีตัวจับ ให้ปิดเครื่องและถอดปลั๊กเครื่องออกจากแหล่งจ่ายไฟ แล้วปล่อยให้เครื่องเย็นลงติดต่อศูนย์บริการที่ได้รับอนุญาตที่ใกล้ที่สุด อย่าใช้งานเครื่องต่อไป

หลังการใช้งาน

- ◆ ถอดปลั๊กเครื่องมือ แล้วปล่อยให้เครื่องเย็นลงก่อนทำความสะอาด
- ◆ เมื่อไม่ได้ออกไปใช้งาน ต้องเก็บเครื่องไว้ในบริเวณที่แห้ง
- ◆ เก็บเครื่องให้พ้นมือเด็ก

การตรวจสอบและการซ่อมแซม

- ◆ ถอดปลั๊กเครื่องมือ แล้วปล่อยให้เครื่องเย็นก่อนทำการบำรุงรักษาหรือซ่อมแซมใดๆ
- ◆ ก่อนการใช้งาน ตรวจสอบเครื่องเพื่อหาชิ้นส่วนที่บกพร่องหรือชำรุดเสียหาย ตรวจสอบว่ามี การแตกหักของชิ้นส่วน ความเสียหายของตัวสวิตช์ และสภาพอื่นใดที่อาจส่งผลต่อการใช้งานหรือไม่
- ◆ ตรวจสอบความเสียหายของสายไฟอยู่เสมอ
- ◆ ห้ามใช้เครื่องมือที่มีชิ้นส่วนใดๆ ชำรุดเสียหายหรือบกพร่อง
- ◆ ให้ศูนย์ซ่อมที่ได้รับอนุญาตเป็นผู้ซ่อมแซมหรือเปลี่ยนชิ้นส่วนที่ชำรุดหรือบกพร่อง
- ◆ อย่าพยายามถอดหรือเปลี่ยนชิ้นส่วนใดๆ นอกเหนือจากที่ระบุในคู่มือนี้

ความปลอดภัยของบุคคลอื่น

- ◆ เด็กที่มีอายุตั้งแต่ 8 ปีขึ้นไป และบุคคลที่มีความบกพร่องทางร่างกาย ทางารรับความรู้สึก หรือทางจิตประสาท หรือขาดประสบการณ์และความรู้สามารถใช้เครื่องมือนี้ได้ หากมีการควบคุมดูแลหรือให้คำแนะนำการใช้เครื่องมืออย่างปลอดภัยและเข้าใจถึงอันตรายที่อาจเกิดขึ้น ห้ามเด็กเล่นเครื่องมือ ไม่ควรให้เด็กทำความสะอาดและบำรุงรักษาเครื่องมือโดยไม่มีการควบคุมดูแล
- ◆ เด็กควรได้รับการควบคุมดูแลเพื่อให้แน่ใจว่าเด็กจะไม่เล่นเครื่องมือ

ความเสี่ยงอื่นๆ ที่ยังมีอยู่

ความเสี่ยงอื่นๆ ที่ไม่ได้ระบุในคำเตือนเพื่อความปลอดภัยนี้ อาจเกิดขึ้นได้เมื่อใช้เครื่องมือ ความเสี่ยงเหล่านี้ อาจเกิดขึ้นจากการใช้อย่างไม่ถูกต้อง การใช้เป็นเวลานาน เป็นต้น แม้ว่าจะปฏิบัติตามข้อกำหนดด้านความปลอดภัยที่เกี่ยวข้อง และใช้อุปกรณ์รักษา แต่ความเสี่ยงอื่นๆ ที่ยังมีอยู่บางอย่างก็ไม่สามารถหลีกเลี่ยงได้ ความเสี่ยงเหล่านี้ ได้แก่:

- ◆ การบาดเจ็บจากการสัมผัสชิ้นส่วนที่กำลังเคลื่อนที่
- ◆ การบาดเจ็บจากการสัมผัสชิ้นส่วนที่ร้อน
- ◆ การบาดเจ็บที่เกิดขึ้นขณะเปลี่ยนชิ้นส่วนหรืออุปกรณ์เสริมใดๆ
- ◆ การบาดเจ็บที่เกิดจากการใช้เครื่องต่อเนื่องเป็นเวลานาน เมื่อใช้เครื่องเป็นระยะเวลาสั้น ต้องแน่ใจว่าคุณได้หยุดพักเป็นระยะ

ความปลอดภัยทางไฟฟ้า



คำเตือน! ต้องต่อสายดินให้เครื่อง ต้องตรวจสอบกำลังไฟเพื่อให้ตรงกับแรงดันไฟฟ้าบนแผ่นแสดงที่ติดตั้งเสมอ

ปลั๊กไฟของเครื่องต้องเป็นชนิดเดียวกับเต้ารับ ห้ามตัดแปลงปลั๊กไม่ว่าด้วยวิธีใด ปลั๊กที่ไม่มีการตัดแปลงและเต้ารับชนิดเดียวกันจะช่วยลดความเสี่ยงจากการถูกไฟฟ้าช็อต

- ◆ ถ้าสายไฟของตัวเครื่องชำรุดเสียหาย ต้องได้รับการเปลี่ยนโดยผู้ผลิตหรือศูนย์บริการของ BLACK+DECKER ที่ได้รับอนุญาตเพื่อหลีกเลี่ยงอันตรายที่อาจเกิดขึ้นได้

สายพ่วงและผลิตภัณฑ์ประเภทชั้น 1

- ◆ ต้องใช้สายไฟชนิด 3 แกน เนื่องจากเครื่องมือของคุณเชื่อมต่อลงดินและเป็นประเภทโครงสร้างชั้น 1
- ◆ สามารถใช้สายไฟได้ยาวสูงสุดถึง 30 ม. (100 ฟุต) โดยไม่มีการสูญเสียกำลัง

ป้ายสัญลักษณ์บนเครื่องมือ

รูปภาพและรหัสสีต่อไปนี้จะปรากฏบนเครื่องมือ



ข้อควรระวัง ไอน้ำร้อน



อย่าปล่อยให้ผู้ใช้ทำงานเครื่องมือโดยขาดการควบคุมดูแล



ทำความสะอาดด้วยอุณหภูมิ 60°C ห้ามใช้สารฟอกขาวหรือน้ำยาปรับผ้านุ่ม

ส่วนประกอบสำคัญ

เครื่องมือนี้มีส่วนประกอบบางอย่างหรือทั้งหมดต่อไปนี้

1. สวิตช์เปิด/ปิด
2. ปุ่มหมุน Autoselect™
3. ตัวยับเครื่องทำความสะอาดระบบไอน้ำ
4. ผ่าช่องเติมน้ำ
5. กระบอกน้ำ
6. หัวต่อตัวเครื่อง
7. ปุ่มปลดล็อคตามต่อฤดูพื้น
8. ตัวยับต่อฤดูพื้น
9. หัวทำความสะอาดพื้น
10. แผ่นทำความสะอาด
11. แถบถอดแผ่นทำความสะอาด
12. ท่ออ่อนเสริม
13. หัวแปรงเสริมสำหรับทำความสะอาดตามขอบมุม (ใช้สำหรับกำจัดคราบสกปรกที่หลุดออกยาก)
14. หัวแปรงเสริม (ใช้บนกระเบื้อง / แวนปู)
15. หัวกวาดน้ำเสริม (ใช้กับบานกระຈกในห้องน้ำ / แผ่นแก้ว / กระຈก / เสื่อผ้า / เบาะที่นั่ง)
16. ผ้าครอบหัวกวาดน้ำ

การประกอบ



คำเตือน! ก่อนจะทำตามคำแนะนำใดๆ ต่อไปนี้ โปรดตรวจสอบว่าได้ปิดสวิตช์และถอดปลั๊กเครื่องมือ รวมทั้งปล่อยให้เครื่องเย็นลงและไม่มีน้ำอยู่ภายในเครื่อง

การต่อด้ามต่อฤดูพื้นที่เข้ากับหัวทำความสะอาดพื้น (รูป A)

- ♦ ดันด้ามต่อฤดูพื้นที่ (8) ให้เข้ากับหัวทำความสะอาดพื้น (9) ให้แน่นจนกระทั่งได้ยินเสียงคลิกเข้าที่

การต่อตัวเครื่องทำความสะอาดระบบไอน้ำแบบมีด้ามจับเข้ากับด้ามต่อฤดูพื้นที่ (รูป B)

- ♦ ดันตัวเครื่องทำความสะอาดระบบไอน้ำแบบมีด้ามจับลงบนด้ามต่อฤดูพื้นที่ (8) จนกระทั่งอยู่ในตำแหน่งที่ถูกต้องบนหัวต่อตัวเครื่อง (6) และมีเสียงคลิกเข้าที่

คำเตือน! ตรวจสอบซิลระหว่างข้อต่อบนเครื่องทำความสะอาดระบบไอน้ำแบบมีด้ามจับกับด้ามต่อฤดูพื้นที่ (8) ก่อนการใช้งานในแต่ละครั้ง หากซิลทำงานผิดปกติหรือชำรุด โปรดติดต่อศูนย์บริการที่ได้รับอนุญาตใกล้บ้านคุณ ห้ามใช้เครื่องมือนี้

การถอดเครื่องทำความสะอาดระบบไอน้ำแบบมีด้ามจับ

- ♦ กดปุ่มปลดล็อก (7) บนด้ามต่อฤดูพื้นที่ (8) แล้วยกเครื่องทำความสะอาดระบบไอน้ำแบบมีด้ามจับออกจากหัวต่อตัวเครื่อง (6)

การใส่แผ่นทำความสะอาด (รูป C)

แผ่นทำความสะอาดสำหรับเปลี่ยนสามารถหาซื้อได้จากตัวแทนจำหน่าย Black + Decker (หมายเลขแคตตาล็อก FSMP20-XJ)

- ♦ วางแผ่นทำความสะอาด (10) ลงบนพื้นโดยให้ด้าน 'หญิงตั้ง' ของแถบหนามเคยหงายขึ้นด้านบน
- ♦ ดึงยอกเครื่องดูดฝุ่นลงบนแผ่นทำความสะอาด (10)

ข้อควรระวัง! อย่าปล่อยให้เครื่องทำงานอยู่บนพื้นผิวในจุดใดจุดหนึ่งเป็นเวลานาน วางเครื่องดูดฝุ่นระบบไอน้ำให้ตั้งตรงเมื่ออยู่ยั้งกับที่ทุกครั้ง และตรวจสอบให้แน่ใจว่าได้ปิดสวิตช์เครื่องดูดฝุ่นระบบไอน้ำ เมื่อไม่ได้ใช้งาน

การถอดแผ่นทำความสะอาด

ข้อควรระวัง! สวมรองเท้าที่เหมาะสมทุกครั้ง เมื่อเปลี่ยนแผ่นทำความสะอาดให้เครื่องดูดฝุ่นระบบไอน้ำ

ห้ามสวมรองเท้าแตะหรือรองเท้าเปิดหัว

- ♦ โยกเครื่องดูดฝุ่นระบบไอน้ำให้อยู่ในตำแหน่งตั้งตรง แล้วปรับสวิตช์เครื่องดูดฝุ่นระบบไอน้ำไปที่ตำแหน่ง 'ปิด'
- ♦ รอจนกระทั่งเครื่องดูดฝุ่นระบบไอน้ำเย็นลง (ประมาณ 5 นาที)
- ♦ ยกเครื่องดูดฝุ่นระบบไอน้ำออกจากแผ่นทำความสะอาด ดึงเครื่องออกจากแถบหนามเคยที่ยึดติดไว้โดยลบน้ำหนักที่แถบถอดแผ่นทำความสะอาด (11)

ข้อควรระวัง! อย่าปล่อยให้เครื่องทำงานอยู่บนพื้นผิวในจุดใดจุดหนึ่งเป็นเวลานาน

วางเครื่องดูดฝุ่นระบบไอน้ำให้ตั้งตรงเมื่ออยู่ยั้งกับที่ทุกครั้ง และตรวจสอบให้แน่ใจว่าได้ปิดสวิตช์เครื่องดูดฝุ่นระบบไอน้ำ เมื่อไม่ได้ใช้งาน

การเติมน้ำลงในกระบอกน้ำ (รูป D)

หมายเหตุ! ใช้น้ำประปาที่สะอาดเต็มลงในกระบอกน้ำ (ห้ามใช้สารเคมีแต่งหรือสารเคมีใดๆ)

หมายเหตุ! ในพื้นที่ซึ่งน้ำมีความกระด้าง ควรใช้น้ำปราศจากไอออน

- ♦ เปิดฝาช่องเติมน้ำ (4) โดยยกฝาขึ้น
- ♦ ใช้น้ำประปาที่สะอาดเต็มลงในกระบอกน้ำ (ห้ามใช้สารเคมีแต่งหรือสารเคมีใดๆ)

คำเตือน! ในขณะที่เติมน้ำ ให้เครื่องอยู่ตำแหน่งแนวนอน

คำเตือน! ฝากระบอกน้ำมีความจุ 0.5 ลิตร ห้ามเติมน้ำจนล้นกระบอก

- ♦ ปิดฝาช่องเติมน้ำ (4)

หมายเหตุ! ตรวจสอบให้แน่ใจว่าฝาช่องเติมน้ำปิดแน่นสนิท

การใช้งาน

ข้อสำคัญ! เครื่องมือนี้สามารถกำจัดแบคทีเรียและเชื้อโรคต่างๆ ได้ 99.9% หากใช้งานตามคำแนะนำในคู่มือนี้ และใช้ร่วมกับแผ่นไมโครไฟเบอร์รวมทั้งใช้งานอย่างต่อเนื่องตลอด 90 วินาที

การเปิดและปิดสวิตช์ (รูป F)

- ♦ หากต้องการเปิดเครื่อง ให้กดสวิตช์เปิด/ปิด (1) ใช้เวลาประมาณ 15 วินาที เพื่ออุ่นเครื่อง

- ♦ หากต้องการปิดเครื่อง ให้กดสวิตช์เปิด/ปิด (1)




ข้อควรระวัง! อย่าปล่อยให้เครื่องทำงานอยู่บนพื้นผิวในจุดใดจุดหนึ่งเป็นเวลานาน

วางเครื่องดูดฝุ่นระบบไอน้ำให้ตั้งตรงเมื่ออยู่ยั้งกับที่ทุกครั้ง และตรวจสอบให้แน่ใจว่าได้ปิดสวิตช์เครื่องดูดฝุ่นระบบไอน้ำ เมื่อไม่ได้ใช้งาน

ข้อควรระวัง! เทน้ำออกจากเครื่องให้หมดหลังจากการใช้งานเสมอ **หมายเหตุ!** เมื่อเติมน้ำครั้งแรกหรือหลังจากนำน้ำแห้ง เครื่องจะใช้เวลาในการสร้างไอน้ำไม่เกิน 45 วินาที

เทคโนโลยี Autoselect™ (รูป E)

เครื่องดูดฝุ่นระบบไอน้ำนี้ติดตั้งปุ่มปรับ Autoselect™ (2) ซึ่งจะแสดงรูปแบบการใช้งานในการทำความสะอาดบนพื้นผิวต่างๆ ปุ่มปรับนี้ใช้เลือกโหมดการทำงานที่เหมาะสมตามรูปแบบการทำความสะอาดแต่ละประเภทการใช้งาน Autoselect™ ให้เลือกรูปแบบการใช้งานรูปแบบใดรูปแบบหนึ่งต่อไปนี้ โดยกดปุ่มปุ่มหมุน Autoselect™ (2) จนกระทั่งได้รูปแบบการใช้งานตามที่ต้องการ

การตั้งค่า	บริเวณที่ทำความสะอาด	เครื่องแบบมีด้ามจับ
	ไม้/แผ่นลามิเนต	การไหลของไอน้ำระดับต่ำ ●
	กระเบื้อง/ไวนิล	การไหลของไอน้ำระดับปานกลาง ● ●
	พรม/พรมอ่อน	การไหลของไอน้ำระดับสูง ● ● ●

เครื่องดูดฝุ่นจะเลือกปริมาณไอน้ำที่เหมาะสมสำหรับใช้กับรูปแบบการทำความสะอาดแต่ละประเภท

หมายเหตุ! ตรวจสอบว่าคุณได้ใช้การตั้งค่าที่ถูกต้องทุกครั้ง ก่อนใช้งานเครื่องดูดฝุ่นระบบไอน้ำ

การประกอบท่ออ่อนและอุปกรณ์เสริมเข้ากับเครื่องทำความสะอาดระบบไอน้ำแบบมีด้ามจับ

คำเตือน! ตรวจสอบซิลระหว่างข้อต่อบนเครื่องทำความสะอาดระบบไอน้ำแบบมีด้ามจับกับท่ออ่อนไอน้ำ (12) ก่อนการใช้งานในแต่ละครั้ง หากซิลทำงานผิดปกติหรือชำรุด โปรดติดต่อศูนย์บริการที่ได้รับอนุญาตใกล้บ้านคุณ ห้ามใช้เครื่องมือนี้

การต่อท่ออ่อน (รูป H)

- ♦ กดปุ่มปลดล็อกท่ออ่อนไอน้ำ (17) บนท่ออ่อนไอน้ำ (12)

ภาษาไทย

- ♦ ต่อท่ออ่อนไอน้ำ (12) เข้ากับเครื่องทำความสะอาดระบบไอน้ำแบบมีด้ามจับ แล้วปล่อยปลมปลดลือดท่ออ่อนไอน้ำ (17) จนกระทั่งได้ยินเสียงคลิกเข้าที่

ข้อสำคัญ! ตรวจสอบให้แน่ใจว่าท่ออ่อนไอน้ำ (12) ต่อเข้ากับเครื่องทำความสะอาดระบบไอน้ำแบบมีด้ามจับอย่างแน่นสนิท หากมีไอน้ำออกจากข้อต่อ แสดงว่ายังติดตั้งท่ออ่อนไม่ถูกต้อง ให้ปิดเครื่องแล้วปล่อยให้เครื่องเย็นลง จากนั้นถอดหรือติดตั้งท่ออ่อนใหม่

การติดตั้งอุปกรณ์เสริม (รูป I)

- ♦ วางแนวสลักล็อกบนหัวพันไอน้ำ (12) ให้ตรงกับร่องของอุปกรณ์เสริม
- ♦ ดันอุปกรณ์เสริมเข้ากับหัวพันไอน้ำและบิดในทิศทางทวนเข็มนาฬิกาจนกระทั่งอุปกรณ์เสริมคลิกเข้าที่

ข้อสำคัญ! อุปกรณ์เสริมทั้งหมดจะต้องเข้ากับท่ออ่อนไอน้ำ (12) เพื่อการใช้งาน

การถอดท่ออ่อนและอุปกรณ์เสริม

คำเตือน! ท่ออ่อนไอน้ำ (12) หัวพันไอน้ำและอุปกรณ์เสริมต่างๆ จะมีความร้อนในระหว่างการใช้งาน ปล่อยให้เครื่องและอุปกรณ์เสริมทั้งหมดเย็นลงก่อนถอดอุปกรณ์ออก

การถอดอุปกรณ์เสริม

- ♦ บิดอุปกรณ์เสริมตามเข็มนาฬิกา แล้วดึงออกจากท่ออ่อน (12)

การถอดท่ออ่อน

- ♦ กดปลมปลดลือดท่ออ่อนไอน้ำ (17) บนท่ออ่อนไอน้ำ (12) แล้วดึงออกจากเครื่องทำความสะอาดระบบไอน้ำแบบมีด้ามจับ

คำแนะนำเพื่อการใช้งานอย่างเหมาะสม

ทั่วไป

ข้อควรระวัง: ห้ามใช้เครื่องดูดฝุ่นระบบไอน้ำโดยไม่ได้ใส่แผ่นทำความสะอาดไว้ล่วงหน้า

- ♦ ดุดฝุ่นหรือกวาดพื้นทุกครั้งก่อนใช้งานเครื่องดูดฝุ่นระบบไอน้ำ
- ♦ วิธีที่ง่ายที่สุดในการใช้งานเครื่องดูดฝุ่นคือให้โยกเครื่องให้เอียงท่ามุม 45° และค่อยๆ ทำความสะอาด โดยให้ครอบคลุมพื้นที่เล็กๆ ในแต่ละครั้ง
- ♦ ใช้เท้าหนีบ ไม่ใส่สารเติมแต่งหรือสารเคมีใดๆ ในเครื่องดูดฝุ่นระบบไอน้ำ หากต้องการขจัดคราบสกปรกที่ออกจากรกพื้นไวนิลหรือเสื่อน้ำมัน คุณสามารถใช้ผงซักฟอกอ่อนๆ ผสมกับน้ำบางส่วนทำความสะอาดพื้นไว้ล่วงหน้าก่อนใช้เครื่องดูดฝุ่นระบบไอน้ำ

การทำความสะอาดด้วยเครื่องดูดฝุ่นระบบไอน้ำ

- ♦ ต่อเครื่องทำความสะอาดระบบไอน้ำแบบมีด้ามจับเข้ากับด้ามดูดฝุ่น (8)
- ♦ วางแผ่นทำความสะอาด (10) ลงบนพื้นโดยให้ด้าน 'ห่วยยึด' ของแถบหนามเดยหงายขึ้นด้านบน
- ♦ ค่อยๆ กดเครื่องดูดฝุ่นลงบนแผ่นทำความสะอาด (10)
- ♦ ต่อเครื่องดูดฝุ่นระบบไอน้ำเข้ากับแหล่งจ่ายไฟหลัก
- ♦ กดปุ่มเปิด/ปิด (1) ใช้เวลาประมาณ 15 วินาทีเพื่ออุ่นเครื่อง
- ♦ ปรับปุ่มหมุน Autoselect™ (2) จนได้รูปแบบการใช้งานที่ต้องการ เพียงไม่กี่วินาที จะเริ่มมีไอน้ำพ่นออกมาจากหัวพันไอน้ำ

หมายเหตุ! เมื่อเติมน้ำครั้งแรกหรือหลังจากน้ำแห้ง เครื่องจะใช้เวลาในการสร้างไอน้ำไม่เกิน 45 วินาที

- ♦ ไอน้ำจะใช้เวลาผ่านเข้าสู่แผ่นทำความสะอาดเพียงไม่กี่วินาที ตอนที่เครื่องดูดฝุ่นระบบไอน้ำจะเลื่อนไปบนพื้นผิวที่จะฆ่าเชื้อโรค/ทำความสะอาดได้อย่างสะอาด
- ♦ ค่อยๆ ลากเครื่องดูดฝุ่นระบบไอน้ำไปมาบนพื้น เพื่อให้ไอน้ำทำความสะอาดแต่ละบริเวณได้อย่างทั่วถึง
- ♦ เมื่อใช้งานเครื่องเสร็จเรียบร้อย ให้โยกด้ามจับ (8) ให้ตั้งตรง ตรวจสอบให้แน่ใจว่ามีการรองรับเครื่องและไต่กดสวิตช์ 'ปิด' แล้วรอนจนกระทั่งเครื่องดูดฝุ่นระบบไอน้ำเย็นลง (ประมาณ 5 นาที)

ข้อควรระวัง! ต้องหมั่นตรวจสอบระดับน้ำในกระบอกน้ำอยู่เสมอ หากต้องการเติมน้ำในกระบอกน้ำแล้วฆ่าเชื้อโรค/ทำความสะอาดต่อ ให้ตั้งเครื่องดูดฝุ่นให้ตรงและตรวจสอบให้แน่ใจว่ามีการรองรับเครื่องและ 'ปิด' เครื่องแล้ว ถอดปลั๊กออกจากเต้ารับที่ผนัง แล้วเติมน้ำในกระบอกน้ำ

ข้อควรระวัง! อย่าปล่อยให้เครื่องทำงานอยู่บนพื้นผิวในจุดใดจุดหนึ่งเป็นเวลานาน วางเครื่องดูดฝุ่นระบบไอน้ำให้ตั้งตรงเมื่ออยู่กับที่ทุกครั้ง และตรวจสอบให้แน่ใจว่าได้ปิดสวิตช์เครื่องดูดฝุ่นระบบไอน้ำ เมื่อไม่ได้ใช้งาน

หลังการใช้งาน

- ♦ ปรับปุ่มหมุน Autoselect™ (2) ไปที่ตำแหน่ง ปิด
- ♦ รอนจนกระทั่งเครื่องดูดฝุ่นระบบไอน้ำเย็นลง
- ♦ ถอดปลั๊กเครื่องดูดฝุ่นระบบไอน้ำออกจากเต้ารับที่ผนัง
- ♦ เทน้ำออกจากกระบอกน้ำให้หมด
- ♦ ถอดแผ่นทำความสะอาด (10) ออก และซักทันที เพื่อให้พร้อมใช้งานในครั้งต่อไป (ปฏิบัติตามคำแนะนำในการซักและดูแลรักษาที่พิมพ์อยู่บนแผ่นทำความสะอาดด้วยความระมัดระวัง)

อุปกรณ์เสริม

สมรรถนะของเครื่องมือของคุณขึ้นอยู่กับอุปกรณ์เสริมที่ใช้ อุปกรณ์เสริมของ BLACK+DECKER ได้รับการออกแบบทางวิศวกรรมให้มีมาตรฐาน คุณภาพสูง และเพิ่มสมรรถนะของเครื่องมือของคุณ เมื่อใช้อุปกรณ์เสริมเหล่านี้ คุณจะสามารถใช้เครื่องมือของคุณได้อย่างมีประสิทธิภาพสูงสุด

การทำความสะอาดด้วยเครื่องระบบไอน้ำแบบมีด้ามจับ

คำเตือน! จับเครื่องให้อยู่ในแนวอนเอเท่านั้นในระหว่างการใช้งาน

- ♦ ติดตั้งอุปกรณ์เสริมที่ต้องการ
 - ♦ ต่อเครื่องทำความสะอาดระบบไอน้ำแบบมีด้ามจับเข้ากับแหล่งจ่ายไฟหลัก
 - ♦ กดปุ่มเปิด/ปิด (1) ใช้เวลาประมาณ 15 วินาทีเพื่ออุ่นเครื่อง
 - ♦ ปรับปุ่มหมุน Autoselect™ (2) จนได้รูปแบบการใช้งานที่ต้องการ เพียงไม่กี่วินาที จะเริ่มมีไอน้ำพ่นออกมาจากหัวพันไอน้ำ
- หมายเหตุ!** เมื่อเติมน้ำครั้งแรกหรือหลังจากน้ำแห้ง เครื่องจะใช้เวลาในการสร้างไอน้ำไม่เกิน 45 วินาที
- ♦ เมื่อคุณใช้งานเครื่องทำความสะอาดระบบไอน้ำแบบมีด้ามจับเสร็จแล้ว ให้ปรับปุ่มหมุน Autoselect™ (2) ไปยังตำแหน่ง ปิด
- ข้อควรระวัง!** อย่าปล่อยให้เครื่องเปิด/ปิด (1) แล้วถอดปลั๊กออกจากแหล่งจ่ายไฟ รอนจนกระทั่งเครื่องเย็นลง ก่อนการจัดเก็บเครื่อง (ประมาณ 5 นาที)

การแก้ปัญหา

ถ้าเครื่องของคุณมีอาการทำงานผิดปกติ ให้ทำตามคำแนะนำด้านล่าง ถ้าคำแนะนำนี้ไม่สามารถแก้ปัญหาได้ โปรดติดต่อตัวแทนซ่อมของ Black + Decker ใกล้บ้านคุณ

ปัญหา	ขั้นตอน	การแก้ไขที่เป็นไปได้
เปิดเครื่องไม่ได้	1.	ตรวจสอบว่าเครื่องเสียบกับตัวรับที่ผนังหรือไม่
	2.	ตรวจสอบว่าเครื่องเปิดสวิตช์ได้โดยปุ่มเปิด/ปิด (1) หรือไม่
	3.	ตรวจสอบฟิวส์ในปลั๊กไฟ
เครื่องไม่สร้างไอน้ำออกมา	4.	ตรวจสอบที่นระบอบไอน้ำสร้างไอน้ำ หากมีการติดตั้งหรือมีไอน้ำอย่างถูกต้อง หรือมีการเปิดใช้งาน AutoSelect™ เท่านั้น
	5.	ตรวจสอบว่ากระบอกน้ำเต็มหรือไม่ หมายเหตุ: เมื่อเติมน้ำครั้งแรก หรือหลังจากน้ำแห้ง เครื่องจะใช้เวลาในการสร้างไอน้ำไม่เกิน 45 วินาที
	6.	ตรวจสอบตามขั้นตอนที่ 1, 2 และ 3 ตามลำดับ
เครื่องหยุดสร้างไอน้ำในระหว่างใช้งาน	7.	ตรวจสอบตามขั้นตอนที่ 4, 5 และ 3 ตามลำดับ
เครื่องสร้างไอน้ำมากเกินไปในระหว่างใช้งาน	8.	ปรับปุ่มหมุน AutoSelect™ (2) ในทิศทางทวนเข็มนาฬิกาเพื่อลดปริมาณการสร้างไอน้ำ
เครื่องหยุดสร้างไอน้ำจำนวนน้อยมากในระหว่างใช้งาน	9.	ปรับปุ่มหมุน AutoSelect™ (2) ในทิศทางตามเข็มนาฬิกาเพื่อเพิ่มปริมาณการสร้างไอน้ำ
ฉันจะขอข้อมูลเพิ่มเติม/ซื้ออุปกรณ์เสริมได้ที่ใด	10.	www.blackanddecker.com

การบำรุงรักษาและการทำความสะอาด

เครื่องมือแบบมีสายของ BLACK+DECKER ได้รับการออกแบบมาเพื่อให้สามารถใช้งานได้ยาวนานต่อเนื่อง โดยมีการบำรุงรักษาที่ดีที่สุด การที่เครื่องทำงานได้ดีอย่างต่อเนื่องขึ้นอยู่กับ การดูแลรักษาเครื่องที่เหมาะสม และการทำความสะอาดอย่างสม่ำเสมอ

คำเตือน! ก่อนดำเนินการบำรุงรักษาหรือทำความสะอาด เครื่องมือแบบมีสายของคุณ ให้ปิดสวิตช์และถอดปลั๊กเครื่องออก

- ◆ ใช้ผ้านุ่มชุบน้ำหมาดๆ เช็ดเครื่องให้ทั่ว
- ◆ สำหรับคราบสกปรกที่ขจัดออกยาก ให้ใช้ผ้าชุบน้ำสบู่อ่อนๆ ทำความสะอาด

การดูแลรักษาแผ่นทำความสะอาด

คำแนะนำในการซึกและดูแลรักษา - ห้ามใช้น้ำยาปรับผ้านุ่ม - ปลดสายไว้ให้แห้งสนิทก่อนนำมาใช้ใหม่

ข้อควรระวัง! ทำตามคำแนะนำการทำความสะอาดที่พิมพ์ไว้บนฉลากของแผ่นทำความสะอาด

การปกป้องสิ่งแวดล้อม



การเก็บรวบรวมแบบคัดแยก ห้ามทิ้งผลิตภัณฑ์นี้ร่วมกับขยะในครัวเรือนปกติ

หากเมื่อใดก็ตามที่จำเป็นต้องเปลี่ยนผลิตภัณฑ์ BLACK+DECKER หรือถ้าเครื่องมือนี้ไม่เป็นประโยชน์อีกต่อไป อย่าทิ้งผลิตภัณฑ์นี้ร่วมกับขยะในครัวเรือน จัดการกับผลิตภัณฑ์นี้เพื่อให้พร้อมสำหรับการเก็บรวบรวมแบบคัดแยก



การเก็บรวบรวมแบบคัดแยกสำหรับบรรจุภัณฑ์และผลิตภัณฑ์ที่ใช้แล้วทำให้สามารถรีไซเคิลวัสดุและนำมาใช้งานอีกครั้ง การนำวัสดุรีไซเคิลมาใช้อีกครั้งจะช่วยป้องกันมลพิษต่อสิ่งแวดล้อมและลดความต้องการวัตถุดิบ

ตามกฎหมายท้องถิ่นอาจมีการจัดเตรียมสถานที่สำหรับการเก็บรวบรวมแบบคัดแยกอุปกรณ์ไฟฟ้าที่ใช้ภายในครัวเรือนไว้ ณ แหล่งรับขยะของเทศบาล หรืออาจมีการรับอุปกรณ์ใช้แล้วจากตู้ค่าปลั๊กในกรณีที่คุณซื้อผลิตภัณฑ์ชิ้นใหม่

BLACK+DECKER มีโรงงานสำหรับการเก็บรวบรวมและการรีไซเคิลผลิตภัณฑ์ BLACK+DECKER เมื่อผลิตภัณฑ์เหล่านั้นหมดอายุการใช้งานแล้ว หากต้องการรับบริการดังกล่าวจากเรา โปรดส่งผลิตภัณฑ์ของคุณคืนศูนย์บริการที่ได้รับอนุญาต ซึ่งจะทำหน้าที่เป็นตัวแทนของเราในการเก็บรวบรวมผลิตภัณฑ์

คุณสามารถตรวจสอบที่อยู่ของตัวแทนซ่อมที่ได้รับอนุญาตที่อยู่ใกล้คุณมากที่สุดได้โดยการติดต่อสำนักงานของ BLACK+DECKER ในพื้นที่ของคุณตามที่อยู่ระบุในคู่มือนี้ นอกจากนี้ ยังมีรายชื่อตัวแทนซ่อมที่ได้รับอนุญาตของ Black & Decker และข้อมูลการบริการหลังการขายของเราและข้อมูลการติดต่อโดยละเอียดบนอินเทอร์เนตที่: www.2helpu.com

ข้อมูลการบริการ

BLACK+DECKER ให้บริการเครือข่ายศูนย์บริการของบริษัทเองและศูนย์ฯ ที่ได้รับการรับรองเต็มรูปแบบทั้งทวีปเอเชีย ศูนย์บริการ BLACK+DECKER ทุกแห่งมีพนักงานที่ผ่านการฝึกอบรมเพื่อให้บริการผลิตภัณฑ์ได้อย่างมีประสิทธิภาพและเชื่อถือได้

ไม่ว่าคุณจะต้องการคำแนะนำด้านเทคนิค การซ่อมแซม หรืออะไหล่จากโรงงาน โปรดติดต่อศูนย์ BLACK+DECKER ใกล้บ้าน

หมายเหตุ

- ◆ เนื่องจาก BLACK+DECKER มีนโยบายพัฒนาปรับปรุงผลิตภัณฑ์อย่างต่อเนื่อง ดังนั้น เราจึงขอสงวนสิทธิ์ในการเปลี่ยนแปลงข้อมูลจำเพาะของผลิตภัณฑ์โดยไม่แจ้งให้ทราบล่วงหน้า
- ◆ อุปกรณ์มาตรฐานและอุปกรณ์เสริมอาจแตกต่างกันในแต่ละประเทศ
- ◆ ข้อมูลจำเพาะของผลิตภัณฑ์อาจแตกต่างกันในแต่ละประเทศ
- ◆ ตัวเลือกผลิตภัณฑ์อาจมีจำหน่ายไม่ครบทุกรายการในบางประเทศ โปรดสอบถามรุ่นผลิตภัณฑ์ที่มีจำหน่ายจากตัวแทนจำหน่ายของ BLACK+DECKER ในประเทศของคุณ

FSMH1300FX
CÂY LAU SÀN HƠI NƯỚC

Thông số kỹ thuật

FSMH1300FX		
Điện áp	Vac	220-240
Công suất	W	1300
Dung tích bình nước	ml	500
Trọng lượng	kg	2,4

Mục đích sử dụng

Cây lau sàn hơi nước FSMH1300FX của BLACK+DECKER™ được thiết kế để vệ sinh và khử trùng sàn gỗ cứng kín, tấm kính, vải sơn, nhựa vinyl, gạch gốm, đá và đá cẩm thạch. Thiết bị này được thiết kế để sử dụng trong gia đình.

Hướng dẫn an toàn



Cảnh báo! Hãy đọc tất cả các cảnh báo và hướng dẫn về an toàn. Việc không tuân theo các cảnh báo và hướng dẫn được liệt kê dưới đây có thể gây giật điện, cháy nổ và/hoặc chấn thương nghiêm trọng.



Cảnh báo! Khi sử dụng các thiết bị chạy bằng điện nguồn, luôn phải tuân theo các biện pháp an toàn cơ bản dưới đây để giảm thiểu nguy cơ cháy nổ, giật điện, chấn thương cá nhân và hư hỏng vật liệu.

- ◆ Đọc kỹ tài liệu hướng dẫn này trước khi sử dụng thiết bị.
- ◆ Mục đích sử dụng được mô tả trong tài liệu hướng dẫn này. Việc sử dụng bất kỳ phụ kiện hay thiết bị đi kèm hoặc thực hiện bất kỳ thao tác nào bằng thiết bị này ngoài các mục đích sử dụng khuyến nghị trong tài liệu hướng dẫn này có thể dẫn đến nguy cơ bị chấn thương cá nhân.
- ◆ Giữ lại hướng dẫn này để tham khảo về sau.

Cách sử dụng thiết bị

- ◆ Không hướng hơi nước về phía người, động vật, thiết bị hoặc ổ cắm điện.
- ◆ Không để thiết bị ngoài trời mưa.
- ◆ Không ngâm thiết bị trong nước.
- ◆ Không được bỏ mặc thiết bị.
- ◆ Phải rút phích cắm thiết bị ra khỏi ổ cắm điện khi không sử dụng.

- ◆ Tuyệt đối không kéo dây điện để rút phích cắm của thiết bị ra khỏi ổ cắm. Giữ dây điện của thiết bị cách xa nguồn nhiệt, dầu và các cạnh sắc.
- ◆ Không cầm cây lau sàn hơi nước khi tay ướt.
- ◆ Không kéo hoặc cầm vào dây điện, sử dụng dây điện làm tay cầm, đóng cửa sập vào dây điện, kéo dây điện gần các góc sắc hoặc để dây điện tiếp xúc với bề mặt nóng.
- ◆ Không sử dụng thiết bị trong không gian kín có hơi nước của chất pha loãng sơn có chứa dầu, một số chất diệt côn trùng, bụi dễ cháy hoặc các hơi nước dễ nổ hay độc hại khác.
- ◆ Hời nhà sản xuất để biết loại sàn.
- ◆ Không sử dụng trên da, đồ nội thất hoặc sàn được đánh bóng bằng sáp, vải tổng hợp, nhưng hay các vật liệu mỏng, nhạy cảm với hơi nước.



Cảnh báo! Không sử dụng trên sàn gỗ hoặc sàn tấm bị hở. Trên các bề mặt đã được xử lý bằng sáp hoặc một số sàn không có sáp, có thể loại bỏ nước bóng bằng nhiệt và hơi nước. Luôn nên kiểm tra khu vực cách điện của bề mặt cần vệ sinh trước khi tiến hành. Bạn cũng nên xem hướng dẫn sử dụng và hướng dẫn bảo quản của nhà sản xuất sàn.

- ◆ Tuyệt đối không đặt các sản phẩm cao gomme, sản phẩm tạo mùi, sản phẩm có cồn hoặc chất tẩy rửa vào cây lau sàn hơi nước vì điều này có thể làm hỏng cây lau sàn hoặc gây nguy hiểm cho người sử dụng.
- ◆ Nếu cầu dao tại nhà kích hoạt trong khi sử dụng chức năng hơi nước, ngừng sử dụng sản phẩm ngay lập tức rồi liên hệ với trung tâm hỗ trợ khách hàng. (Đề phòng nguy cơ bị giật điện).
- ◆ Thiết bị tỏa ra hơi nước rất nóng để khử trùng khu vực sử dụng. Điều này có nghĩa là đầu phun hơi nước, tấm nilon lau sàn và các vật đi kèm với thảm trở nên rất nóng trong quá trình vệ sinh.

Thận trọng! Luôn đi giày phù hợp khi sử dụng cây lau sàn hơi nước và khi thay phụ kiện trên cây lau sàn hơi nước của bạn. Không đi dép lê hay giày dép hở ngón chân.

- ◆ Nắp có thể nóng dần trong khi sử dụng.
- ◆ Hơi nước có thể thoát ra từ thiết bị trong quá trình sử dụng.
- ◆ Phải thận trọng khi sử dụng thiết bị này. KHÔNG chạm vào bất kỳ bộ phận nào có thể nóng dần trong quá trình sử dụng.
- ◆ Tắt thiết bị và dựng thẳng tay cầm trước khi tháo bình nước.

Tiếng Việt

- ◆ Nếu thấy hơi nước thoát ra từ cây lau nhà hơi nước cầm tay, hãy tắt và rút phích cắm thiết bị ra khỏi nguồn điện và để nguội. Liên hệ với đại lý bảo hành được ủy quyền gần nhất. Không tiếp tục sử dụng thiết bị.

Sau khi sử dụng

- ◆ Rút phích cắm ra khỏi ổ cắm rồi để thiết bị nguội trước khi tiến hành vệ sinh.
- ◆ Khi không sử dụng, phải bảo quản thiết bị ở nơi khô ráo.
- ◆ Không được cho trẻ em ra vào khu vực bảo quản thiết bị.

Kiểm tra và sửa chữa

- ◆ Rút phích cắm ra khỏi ổ cắm rồi để thiết bị nguội trước khi thực hiện công việc bảo trì hay sửa chữa.
- ◆ Trước khi sử dụng, hãy kiểm tra các bộ phận bị hỏng hoặc bị lỗi của thiết bị. Kiểm tra các bộ phận bị gãy, công tắc bị hỏng và các điều kiện khác nhau có thể ảnh hưởng đến vận hành của thiết bị.
- ◆ Thường xuyên kiểm tra dây nguồn xem có bị hư hỏng không.
- ◆ Không sử dụng thiết bị có bất kỳ bộ phận nào bị hỏng hoặc lỗi.
- ◆ Mang các bộ phận bị hỏng hoặc lỗi đến đại lý được ủy quyền để sửa chữa hoặc thay thế.
- ◆ Tuyệt đối không tháo hoặc thay bất kỳ bộ phận nào ngoài những bộ phận được quy định trong tài liệu này.

Vấn đề an toàn đối với người khác

- ◆ Không cho trẻ em từ 8 tuổi trở lên và những người bị suy giảm khả năng thể chất, trí tuệ hoặc cảm giác hay người thiếu kinh nghiệm và kiến thức sử dụng thiết bị này, trừ khi có sự giám sát hoặc hướng dẫn của người chịu trách nhiệm về vấn đề an toàn của họ. Không để trẻ em nghịch thiết bị này. Không để trẻ em vệ sinh và bảo trì thiết bị mà không có sự giám sát.
- ◆ Phải giám sát để đảm bảo trẻ không nghịch thiết bị.

Các nguy cơ khác.

Các nguy cơ khác có thể phát sinh khi sử dụng dụng cụ không nằm trong các cảnh báo an toàn đính kèm. Những nguy cơ này có thể phát sinh từ việc sử dụng sai mục đích, sử dụng trong thời gian dài, v.v. Kể cả việc áp dụng các quy tắc an toàn liên quan và dùng các thiết bị an toàn cũng không thể tránh được một số nguy cơ khác. Những nguy cơ này gồm:

- ◆ Chấn thương do chạm vào bất kỳ bộ phận đang chuyển động nào.
- ◆ Chấn thương do chạm vào bất kỳ bộ phận nóng nào.
- ◆ Chấn thương do thay đổi các bộ phận hay phụ kiện.
- ◆ Chấn thương do sử dụng thiết bị trong khoảng thời gian dài. Khi sử dụng bất kỳ thiết bị nào trong khoảng thời gian dài, bạn phải đảm bảo nghỉ giải lao thường xuyên.

An toàn điện



Cảnh báo! Sản phẩm này phải được nối đất. Luôn kiểm tra nguồn điện có tương ứng với điện áp trên biển thông số định mức hay không.

Phích cắm điện phải vừa với ổ cắm. Không sửa đổi phích cắm bằng bất kỳ cách nào. Phích cắm nguyên trạng và ổ cắm phù hợp sẽ giúp giảm nguy cơ bị điện giật.

- ◆ Dây cắm điện bị hỏng phải được thay thế bởi nhà sản xuất hoặc trung tâm bảo hành BLACK+DECKER được ủy quyền để tránh gây nguy hiểm.

Dây nối dài và sản phẩm Nhóm 1

- ◆ Phải sử dụng dây 3 lõi vì thiết bị của bạn được nối đất và thuộc Nhóm 1.
- ◆ Có thể sử dụng tới 30m (100 ft) mà không gây tổn hao công suất.

Ký hiệu trên thiết bị

Trên thiết bị có các ký hiệu sau cùng với mã ngày:



THẬN TRỌNG Hơi nước nóng



Không để trẻ một mình mà không giám sát



Giặt ở 60°C. Không dùng thuốc tẩy hay chất làm mềm vải.

Tính năng

Thiết bị này gồm một số hoặc tất cả những tính năng sau.

1. Công tắc bật/tắt
2. Nút Autoselect™
3. Tay cầm thiết bị hơi nước cầm tay
4. Nắp miệng rót
5. Bình nước

6. Mặt phân cách
7. Nút tháo lắp ống nối dài sàn
8. Ống nối dài sàn
9. Đầu vệ sinh sàn
10. Tấm nilon lau sàn
11. Vấu tháo tấm nilon lau sàn
12. Ống mềm gắn phụ kiện
13. Phụ kiện chổi góc (để dùng trên các bề mặt khó loại bỏ vết gỉ)
14. Phụ kiện chổi (để dùng trên gạch / vữa)
15. Phụ kiện ống lăn (để dùng trên tấm che buồng tắm / kính / gương ng / quần áo / mặt ghế)
16. Tấm bọc ống lăn

Lắp ráp



Cảnh báo! Trước khi thực hiện bất kỳ hướng dẫn nào sau đây, phải đảm bảo rằng bạn đã tắt và rút phích cắm của thiết bị cũng như thiết bị đã nguội và không chứa nước.

Gắn ống nối dài sàn với đầu vệ sinh sàn (Hình A)

- ♦ Đẩy ống nối dài sàn (8) chặt vào trong đầu vệ sinh sàn (9), đảm bảo bộ phận ăn khớp tại chỗ.

Gắn thiết bị hơi nước cầm tay với ống nối dài sàn (Hình B)

- ♦ Đẩy thiết bị hơi nước cầm tay chắc chắn trên ống nối dài sàn (8), đảm bảo bộ phận nằm chính xác trên mặt phân cách (6) và ăn khớp tại chỗ.

Cảnh báo! Kiểm tra vòng đệm giữa điểm nối trên cây lau sàn hơi nước cầm tay và ống nối dài sàn (8) trước mỗi lần sử dụng. Nếu vòng đệm bị trục trặc hoặc hỏng, hãy liên hệ với đại lý sửa chữa được ủy quyền gần nhất. Không sử dụng thiết bị.

Tháo thiết bị hơi nước cầm tay

- ♦ Đẩy nút nhà (7) trên ống nối dài sàn (8) và nâng thiết bị hơi nước cầm tay lên khỏi mặt phân cách (6).

Gắn tấm nilon lau sàn (Hình C)

Tấm nilon lau sàn thay thế có bán tại đại lý BLACK+DECKER (loại số FSMP20-XJ).

- ♦ Đặt tấm nilon lau sàn (10) trên sàn với mặt 'móc' khóa quay lên trên.
- ♦ Nhẹ nhàng ấn cây lau sàn hơi nước xuống tấm nilon lau sàn (10).

Thận trọng! Tuyệt đối không để lâu cây lau sàn hơi nước tại một điểm trên bất kỳ bề mặt nào. Luôn dựng thẳng cây lau sàn hơi nước khi không hoạt động và đảm bảo tắt cây lau sàn hơi nước khi không sử dụng.

Tháo tấm nilon lau sàn

Thận trọng! Luôn đi giày phù hợp khi thay tấm nilon lau sàn trên cây lau sàn hơi nước.

Không đi dép lê hay giày dép hở ngón chân.

- ♦ Dựng thẳng, rời 'TÁT' cây lau sàn hơi nước.
- ♦ Chờ cho tới khi cây lau sàn hơi nước nguội hẳn (khoảng 5 phút).
- ♦ Nâng cây lau sàn hơi nước ra khỏi tấm nilon lau sàn để tháo ra khỏi khóa dán được siết chặt bằng chính trọng lượng đặt trên vấu tháo tấm nilon lau sàn (11).

Thận trọng! Tuyệt đối không để lâu cây lau sàn hơi nước tại một điểm trên bất kỳ bề mặt nào.

Luôn dựng thẳng cây lau sàn hơi nước khi không hoạt động và đảm bảo tắt cây lau sàn hơi nước khi không sử dụng.

Nạp bình nước (Hình D)

Lưu ý! Nạp bình nước bằng nước máy sạch (Không sử dụng chất phụ gia hoặc hóa chất).

Lưu ý! Ở những khu vực nước cứng, bạn nên sử dụng nước đã khử ion.

- ♦ Lật nắp miệng rót (4) lên để mở.
- ♦ Nạp nước vào bình nước (Không sử dụng chất phụ gia hoặc hóa chất).

Cảnh báo! Khi nạp, đặt bình ở vị trí nằm ngang.

Cảnh báo! Bình nước của bạn có dung tích 0,5 lít. Không nạp đầy tràn bình.

- ♦ Đóng nắp miệng rót lại (4).

Lưu ý! Đảm bảo đóng chặt nắp miệng rót.

Cách sử dụng

Quan trọng! Thiết bị này sẽ diệt 99,9% vi khuẩn và vi trùng khi được sử dụng theo đúng hướng dẫn trong hướng dẫn sử dụng này cũng như khi lắp tấm micro fibre và chạy liên tục trong 90 giây.

Bật và tắt (Hình F)

- ♦ Để bật thiết bị, ấn công tắc BẬT/TẮT (1). Cây lau sàn hơi nước nóng lên trong khoảng 15 giây.
- ♦ Để tắt thiết bị, ấn công tắc BẬT/TẮT (1).

Thận trọng! Tuyệt đối không để lâu cây lau sàn hơi nước tại một điểm trên bất kỳ bề mặt nào.

Luôn dựng thẳng cây lau sàn hơi nước khi không hoạt động và đảm bảo tắt cây lau sàn hơi nước khi không sử dụng.

Thận trọng! Luôn đổ hết nước trong cây lau sàn hơi nước sau khi sử dụng.




Lưu ý! Khi nạp nước lần đầu tiên hoặc sau khi chạy tới khi hết nước, có thể mất tới đa 45 giây để sản sinh ra hơi nước.

Công nghệ Autoselect™ (Hình E)

Cây lau sàn hơi nước được trang bị nút chỉnh chức năng Autoselect™ (2) hiển thị các ứng dụng vệ sinh khác nhau.

Chúng được sử dụng để chọn chế độ vận hành chính xác cho hoạt động vệ sinh cụ thể của bạn.

Sử dụng Autoselect™, chọn một trong những ứng dụng sau bằng cách xoay núm Autoselect™ (2) cho tới khi cài đặt cần thiết được c.ạn:

Cài đặt	Cây lau sàn	Cầm tay
	Gỗ/ Laminate	Luồng hơi yếu ●
	Đá/Đá cẩm thạch	Luồng hơi trung bình ● ●
	Gạch/Nhựa vinyl	Luồng hơi mạnh ● ● ●

Cây lau sàn hơi nước sẽ chọn lượng hơi nước chính xác cho hoạt động vệ sinh cụ thể của bạn.

Lưu ý: Luôn kiểm tra xem bạn có sử dụng đúng cài đặt không trước khi sử dụng cây lau sàn hơi nước.

Gắn ống mềm và phụ kiện vào cây lau sàn hơi nước cầm tay

Cảnh báo! Kiểm tra vòng đệm giữa điểm nối trên cây lau sàn hơi nước cầm tay và ống dẫn hơi nước (12) trước mỗi lần sử dụng. Nếu vòng đệm bị trục trặc hoặc hỏng, hãy liên hệ với đại lý sửa chữa được ủy quyền gần nhất. Không sử dụng thiết bị.

Gắn ống mềm (Hình H)

- ◆ Ấn nút nhà ống dẫn hơi nước (17) trên ống dẫn hơi nước (12).
- ◆ Nối ống dẫn hơi nước (12) với cây lau sàn hơi nước cầm tay và nhà nút nhà ống dẫn hơi nước (17), đảm bảo bộ phận ăn khớp tại chỗ.

Quan trọng! Đảm bảo rằng ống dẫn hơi nước (12) được nối chắc chắn với cây lau sàn hơi nước cầm tay. Nếu hơi nước thoát ra từ mối nối, ống mềm đã được gắn không đúng cách. Tắt và để thiết bị nguội hẳn, sau đó tháo và lắp lại ống mềm.

Lắp phụ kiện (Hình I)

- ◆ Đặt các vòng kẹp trên vòi phun hơi nước (12) khớp với các rãnh trên phụ kiện.
- ◆ Ấn phụ kiện lên vòi phun hơi nước và vặn ngược chiều kim đồng hồ cho đến khi phụ kiện ăn khớp tại chỗ.

Quan trọng! Phải gắn tất cả phụ kiện với ống dẫn hơi nước (12) để sử dụng.

Tháo ống mềm và phụ kiện

Cảnh báo! Ống dẫn hơi nước (12), Vòi phun hơi nước và phụ kiện rất nóng khi đang sử dụng. Hãy để thiết bị và tất cả phụ kiện nguội hẳn trước khi cố tháo chúng.

Tháo phụ kiện

- ◆ Vặn phụ kiện theo chiều kim đồng hồ, sau đó kéo khỏi ống mềm (12).

Tháo ống mềm

- ◆ Ấn nút nhà ống dẫn hơi nước (17) trên ống dẫn hơi nước (12) và kéo ra khỏi thiết bị hơi nước cầm tay.

Gợi ý để sử dụng tối ưu

Khái quát

Thận trọng: Tuyệt đối không sử dụng cây lau sàn hơi nước khi chưa gắn tấm nilon lau sàn.

- ◆ Luôn hút bụi hoặc quét sàn trước khi sử dụng cây lau sàn hơi nước.
- ◆ Cách sử dụng máy dễ dàng nhất là nghiêng thiết bị một góc 45° rồi từ từ tiến hành vệ sinh, vệ sinh từng khu vực nhỏ mỗi lần.
- ◆ Chỉ sử dụng nước không có chứa chất phụ gia hoặc hóa chất cho cây lau sàn hơi nước. Để loại bỏ những vết bẩn cứng đầu khỏi sàn nhà bằng nhựa vinyl hoặc sàn vải sơn, bạn có thể xử lý trước bằng chất tẩy nhẹ và một ít nước trước khi sử dụng cây lau sàn hơi nước.

Vệ sinh bằng hơi nước với cây lau sàn

- ◆ Gắn cây lau sàn hơi nước cầm tay với ống nối sàn (8).
- ◆ Đặt tấm nilon lau sàn (10) trên sàn với mặt 'móc' khóa quay lên trên.
- ◆ Nhẹ nhàng ấn cây lau sàn hơi nước xuống tấm nilon lau sàn (10).
- ◆ Kết nối cây lau sàn hơi nước với nguồn điện.
- ◆ Ấn nút BẬT/TẮT (1). Cây lau sàn hơi nước nóng lên trong khoảng 15 giây.
- ◆ Xoay núm Autoselect™ (2) cho tới khi chọn được cài đặt cần thiết. Sau vài giây, hơi nước sẽ bắt đầu tỏa ra từ đầu phun hơi nước.

Lưu ý! Khi nạp nước lần đầu tiên hoặc sau khi chạy tới khi hết nước, có thể mất tới 45 giây để sản sinh ra hơi nước.

- ◆ Mất vài giây để hơi nước đi vào tấm nilon lau sàn. Lúc này cây lau sàn hơi nước sẽ trượt dễ dàng trên bề mặt cần khử trùng/vệ sinh.
- ◆ Từ từ đẩy và kéo cây lau sàn hơi nước qua bề mặt sàn để vệ sinh thật kỹ từng phần bằng hơi nước.
- ◆ Sau khi bạn sử dụng xong cây lau sàn hơi nước, hãy dựng thẳng tay cầm (8), đảm bảo "TẮT" và tựa cây lau sàn này vào một điểm tựa chắc chắn. Chờ cho tới khi cây lau sàn hơi nước nguội hẳn (khoảng năm phút).

Thận trọng! Cần phải theo dõi mức nước trong bình nước. Để nạp lại bình nước và tiếp tục khử trùng/vệ sinh, hãy dựng thẳng cây lau sàn, đảm bảo "TẮT" và tựa cây lau sàn này vào điểm tựa chắc chắn. Rút phích cắm thiết bị ra khỏi ổ cắm điện trên tường và nạp lại bình nước.

Thận trọng! Tuyệt đối không để lâu cây lau sàn hơi nước tại một điểm trên bất kỳ bề mặt nào. Luôn dựng thẳng cây lau sàn hơi nước khi không hoạt động và đảm bảo tắt cây lau sàn hơi nước khi không sử dụng.

Sau khi sử dụng

- ◆ Xoay núm Autoselect™ (2) đến vị trí TẮT.
- ◆ Chờ cho đến khi cây lau sàn hơi nước nguội hẳn.
- ◆ Rút phích cắm cây lau sàn hơi nước ra khỏi ổ cắm điện trên tường.
- ◆ Đổ hết bình nước.
- ◆ Tháo tấm nỉ làm sạch (10) và giặt để sử dụng lần sau (chú ý làm theo hướng dẫn giặt để bảo quản được in trên tấm nỉ lau sàn).

Phụ kiện

Hiệu suất làm việc của thiết bị tùy thuộc vào phụ kiện được sử dụng. Phụ kiện của BLACK+DECKER được chế tạo theo tiêu chuẩn chất lượng cao và được thiết kế nhằm tăng cường hiệu suất làm việc cho thiết bị của bạn. Thiết bị của bạn sẽ phát huy tối đa hiệu quả làm việc khi sử dụng các phụ kiện này.

Vệ sinh bằng cây lau sàn hơi nước cầm tay

Cảnh báo! Giữ thiết bị ở vị trí ngang trong khi làm vệ sinh.

- ◆ Gắn phụ kiện cần thiết.
- ◆ Kết nối cây lau sàn hơi nước cầm tay với nguồn điện.
- ◆ Ấn nút BẬT/TẮT (1). Cây lau sàn hơi nước nóng lên trong khoảng 15 giây.
- ◆ Xoay núm Autoselect™ (2) cho tới khi chọn được cài đặt cần thiết. Sau vài giây, hơi nước sẽ bắt đầu tỏa ra từ đầu phun hơi nước.

Lưu ý! Khi nạp nước lần đầu tiên hoặc sau khi chạy tới khi hết nước, có thể mất tới đa 45 giây để sản sinh ra hơi nước.

- ◆ Khi bạn đã sử dụng xong cây lau sàn hơi nước cầm tay, xoay núm Autoselect™ (2) đến vị trí TẮT. TẮT thiết bị bằng cách ấn nút BẬT/TẮT (1) và ngắt kết nối với nguồn điện. Chờ cho tới khi thiết bị nguội hẳn trước khi cất đi (khoảng năm phút)

Khắc phục sự cố

Nếu thiết bị có vẻ vận hành không đúng cách, hãy làm theo hướng dẫn bên dưới. Nếu sự cố này vẫn tiếp diễn, hãy liên hệ với đại lý sửa chữa BLACK+DECKER gần nhất.

Sự cố	Bước	Giải pháp có thể
Bạn chưa bật cầu lau sàn hơi nước	1.	Kiểm tra xem bạn đã cắm phích cắm của thiết bị vào ổ cắm trên tường hay chưa.
	2.	Kiểm tra xem bạn đã bật thiết bị hay chưa bằng cách sử dụng công tắc BẬT/TẮT (1)
	3.	Kiểm tra cầu chì trong phích cắm.

Cây lau sàn hơi nước không tạo ra hơi nước	4.	Cây lau nhà hơi nước chỉ tạo ra hơi nước khi ống dẫn hơi nước được lắp đúng cách, hoặc đã BẬT Autoselect™.
	5.	Kiểm tra để đảm bảo bình nước đầy. Lưu ý: Khi nạp nước lần đầu tiên hoặc sau khi chạy tới khi hết nước, có thể mất tới đa 45 giây để sản sinh ra hơi nước.
	6.	Kiểm tra lần lượt bước 1, 2 và 3
Cây lau sàn hơi nước ngừng tạo hơi nước khi đang sử dụng	7.	Kiểm tra lần lượt bước 4, 5, rồi đến 3
Cây lau sàn hơi nước tạo ra quá nhiều hơi nước khi đang sử dụng	8.	Xoay núm Autoselect™ (2) ngược chiều kim đồng hồ để giảm lượng hơi nước tạo ra
Cây lau sàn hơi nước tạo ra quá ít hơi nước trong khi sử dụng	9.	Xoay núm Autoselect™ (2) theo chiều kim đồng hồ để tăng lượng hơi nước tạo ra
Tôi có thể tìm thấy thêm thông tin/ phụ kiện ở đâu	10.	www.blackanddecker.com

Bảo trì và vệ sinh

Thiết bị có dây của BLACK+DECKER được thiết kế để vận hành trong thời gian dài và ít phải bảo trì nhất. Dụng cụ vận hành liên tục theo ý muốn tùy thuộc vào việc bảo quản dụng cụ đúng cách và vệ sinh thường xuyên.

Cảnh báo! Trước khi tiến hành bảo trì hay vệ sinh trên thiết bị có dây, hãy tắt và rút phích cắm dụng cụ ra khỏi ổ cắm.

- ◆ Lau thiết bị bằng khăn ẩm mềm.
- ◆ Đối với những vết bẩn cứng đầu, bạn có thể sử dụng dung dịch xà phòng nhẹ và nước để làm ẩm khăn của mình.

Bảo quản tấm nỉ lau sàn

Hướng dẫn giặt để bảo quản - Không chất làm mềm vải - Để khô hoàn toàn trước khi sử dụng lại.
Thận trọng! Làm theo các hướng dẫn vệ sinh in trên nhãn của tấm nỉ lau sàn.

Bảo vệ môi trường



Thu gom riêng. Không được vứt bỏ sản phẩm này với rác thải sinh hoạt thông thường.

Nếu sản phẩm BLACK+DECKER của bạn cần phải thay thế, hoặc bạn không sử dụng nó trong tương lai nữa, đừng vứt bỏ cùng với rác thải sinh hoạt. Sản phẩm này phải được thu gom riêng.



Thu gom riêng sản phẩm và bao bì đóng gói đã qua sử dụng sẽ cho phép tái chế và tái sử dụng vật liệu. Tái sử dụng vật liệu tái chế giúp ngăn chặn ô nhiễm môi trường và giảm nhu cầu vật liệu thô.

Luật lệ địa phương có thể quy định việc thu gom riêng các sản phẩm điện gia dụng, tại các bãi rác thải đô thị hoặc bởi những người bán lẻ khi bạn mua sản phẩm mới.

BLACK+DECKER cung cấp nơi thu gom và tái chế các sản phẩm của BLACK+DECKER khi các sản phẩm này đã hết hạn sử dụng. Để sử dụng dịch vụ này, vui lòng trả lại sản phẩm cho đại lý sửa chữa được ủy quyền, nơi thay mặt công ty chúng tôi thu gom các sản phẩm này.

Bạn có thể kiểm tra vị trí của đại lý sửa chữa được ủy quyền gần nhất bằng cách liên hệ với văn phòng BLACK+DECKER tại nơi bạn sống theo địa chỉ cung cấp trong sổ tay hướng dẫn này. Ngoài ra, chúng tôi còn cung cấp danh sách các đại lý sửa chữa được ủy quyền của BLACK+DECKER và mọi thông tin chi tiết về dịch vụ hậu mãi và các thông tin liên hệ tại website: www.2helpU.com

Thông tin dịch vụ

BLACK+DECKER có sẵn một mạng lưới các trung tâm trực thuộc và ủy quyền trên toàn Châu Á. Tất cả các trung tâm dịch vụ của BLACK+DECKER đều có đội ngũ nhân viên lành nghề nhằm cung cấp cho khách hàng dịch vụ về sản phẩm hiệu quả và tin cậy.

Khi bạn cần tư vấn kỹ thuật, sửa chữa hoặc phụ tùng thay thế chính hãng, vui lòng liên hệ với cơ sở BLACK+DECKER gần nhất.

LƯU Ý

- ◆ Chính sách của BLACK+DECKER là không ngừng cải tiến sản phẩm và do đó, chúng tôi có quyền thay đổi thông số kỹ thuật sản phẩm mà không cần báo trước.
- ◆ Các thiết bị và phụ kiện chuẩn có thể khác nhau tùy theo từng quốc gia.
- ◆ Thông số kỹ thuật của sản phẩm có thể khác nhau tùy theo từng quốc gia.
- ◆ Danh mục sản phẩm hoàn chỉnh có thể không có tại tất cả các quốc gia. Liên hệ với các đại lý của BLACK+DECKER tại quốc gia bạn để được cung cấp danh mục sản phẩm.

