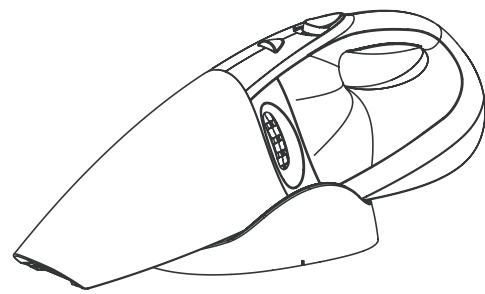




Catalog Nos. CHV1560, CHV1680

INSTRUCTION MANUAL



SAVE THIS MANUAL FOR FUTURE REFERENCE.

Catalog Nos. CHV1560, CHV1680
Copyright © 2006 Black & Decker

PRINTED IN CHINA
FORM NO. 90502530
(MAR-06)

IMPORTANT SAFEGUARDS

When using electrical appliances, basic safety precautions should always be followed, including the following:

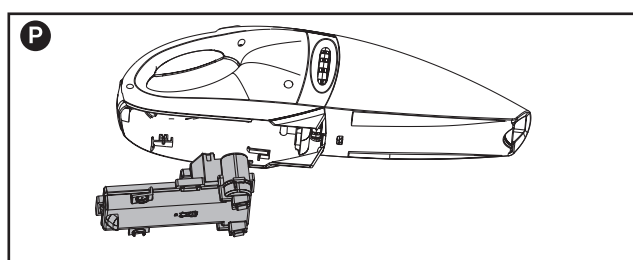
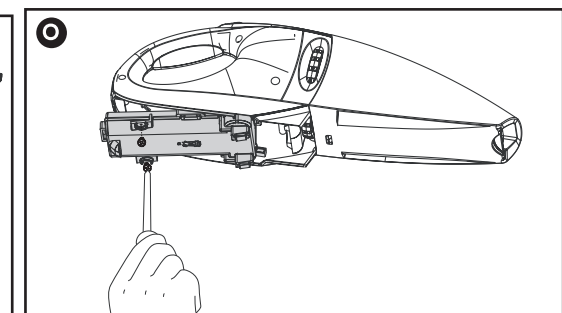
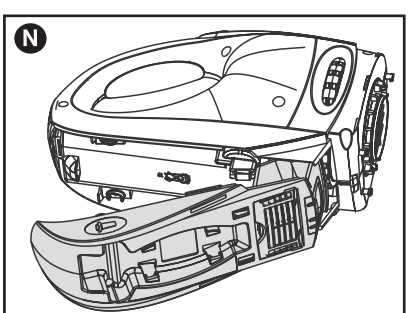
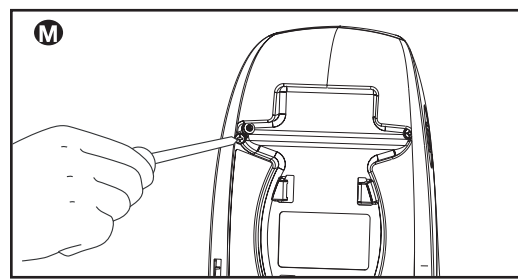
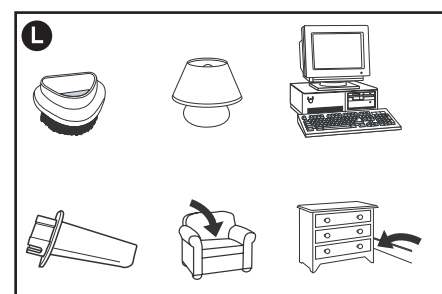
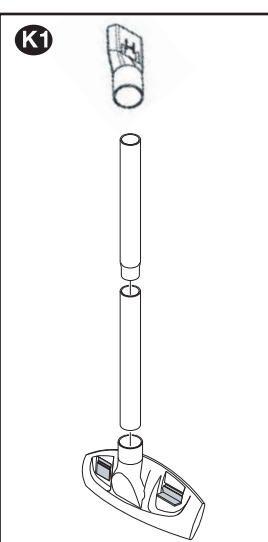
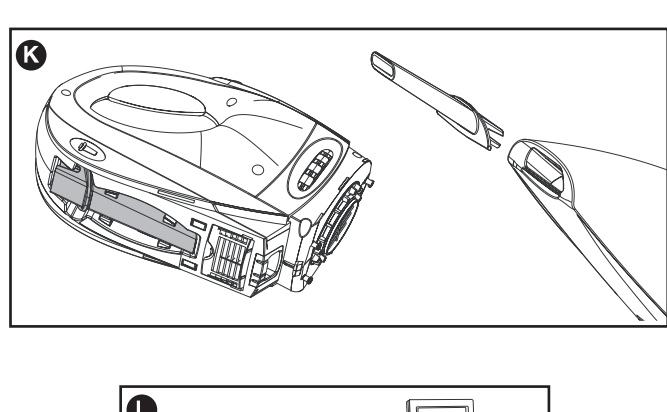
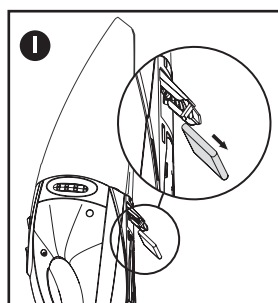
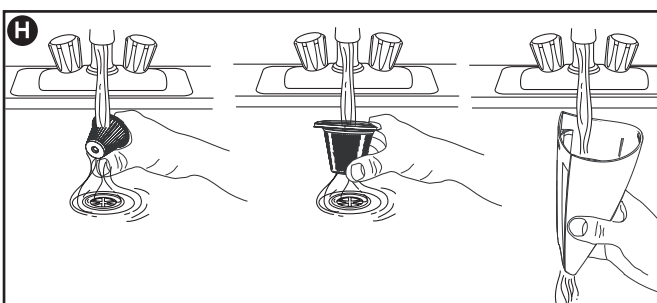
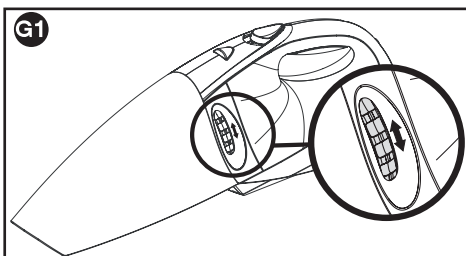
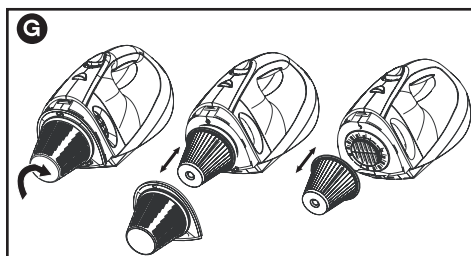
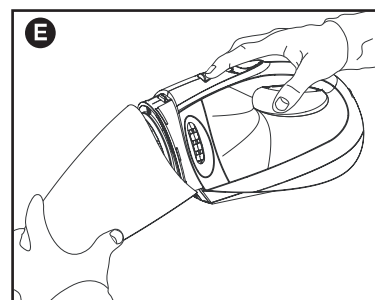
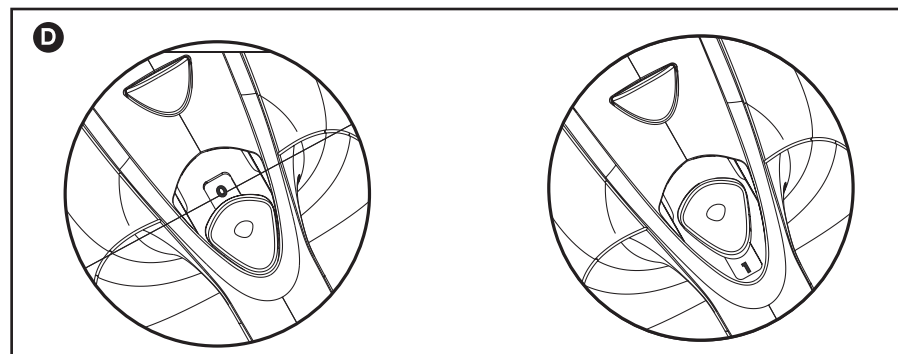
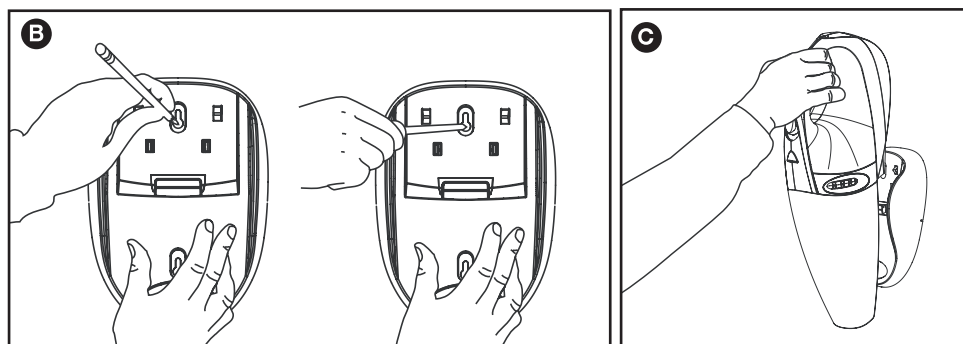
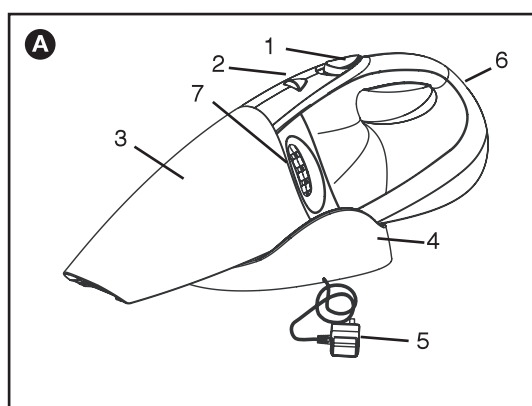
PLEASE READ AND UNDERSTAND ALL INSTRUCTIONS BEFORE USING THE UNIT.

WARNING: This product contains chemicals, including lead, known to the State of California to cause cancer, and birth defects or other reproductive harm. Wash hands after handling.

WARNING: To reduce the risk of fire, electrical shock or injury:

- Close supervision is necessary when any appliance is used by or near children. Do not allow to be used as a toy.
- To protect against risk of electrical shock, do not put unit or charging base in water or other liquid.
- Do not use Dustbuster® dry hand vacs to pick up liquids, toxic substances, flammable or combustible liquids such as gasoline or use in areas where they may be present.
- Do not operate in the presence of explosives and/or flammable fumes or liquids.
- Do not operate any appliance with a damaged cord or charger or after the appliance malfunctions, is left outdoors, dropped into water or is damaged in any manner. Return the appliance to any authorized service facility.
- Do not use Dustbuster® dry hand vacs outdoors or on wet surfaces.
- Do not abuse the cord. Never carry the charger or base by the cord or yank to disconnect from an outlet; instead grasp the charger and pull to disconnect. Keep cord away from heated surfaces. Do not pull cord around sharp edges or corners.
- Do not allow the cord to hang over the edge of a table or counter or touch hot surfaces. The unit should be placed or mounted away from sinks and hot surfaces.
- Do not use an extension cord. Plug the charger directly into an electrical outlet.
- Use the charger only in a standard electrical outlet (230V/50Hz).
- Do not attempt to use the charger with any other product; do not attempt to charge this product with any other charger. Use only the charger supplied by the manufacturer to recharge.
- Keep hair, loose clothing, and all parts of body away from openings and moving parts.
- Do not insert accessories when unit is running.
- Do not handle plug or appliance with wet hands.
- Do not put any object into unit openings. Do not use with any openings blocked; keep free of dust, lint, hair, and anything that may reduce air flow.
- Do not vacuum burning or smoking materials, such as lit cigarette butts, matches or hot ashes.
- Do not use on or near hot surfaces.
- Use extra caution when cleaning on stairs.
- This appliance is intended for household use only and not for commercial or industrial use.
- Use only as described in this manual. Use only manufacturer's recommended attachments.
- Unplug the charger from outlet before any routine cleaning or maintenance.
- This product includes rechargeable nickel cadmium batteries. Do not incinerate batteries as they will explode at high temperatures.
- Leaks from battery cells can occur under extreme conditions. If the liquid, which is a 20-35% solution of potassium hydroxide, gets on the skin (1) wash quickly with soap and water or (2) neutralize with a mild acid such as lemon juice or vinegar. If the liquid gets into the eyes, flush them immediately with clean water for a minimum of 10 minutes. Seek medical attention.

SAVE THESE INSTRUCTIONS



Product Features (Fig. A)

1. On/Off slide switch
2. Bowl release button
3. Dust bowl
4. Wall mountable charging base
5. Charger
6. Charge indicator light
7. Filter cleaning wheel

How To Use

ASSEMBLY

FITTING THE TUBES AND THE FLOOR HEAD (FIG. K1) (ONLY CHV1680)

- Fit the bowl connector on to the nose of the DustBuster.
- Fit the upper and lower tubes together and attach the floor head to one end of the tube.
- Attach the other end of the tube to the connector on the nose of the floor extension.
- Alternatively, to use as a hand-held cleaner with brush on stairs and furniture, attach the floor head directly on to the connector.

ACTIVATING THE BRUSH

- Use the switches on the floor head to lower or raise the bristles on the brush.
- Lower the bristles for cleaning carpets or rugs.
- Raise the bristles for cleaning hard floors, such as wood, tile or marble.

INSTALLATION INSTRUCTIONS (FIG. B)

- Fix the charging base within reach of an electrical outlet, using the screws supplied. Plug in and place the product in position. Always mount in an upright (handle up) position.

NOTE: Avoid damaging the cord while fixing the cord to the wall or when removing or replacing the product from the base.

RECHARGING (FIG. C)

- From new, the rechargeable cells of the product need a minimum charge time of 16 hours to ensure full power. While charging the charge indicator light will be illuminated. The switch must be in the off ("O") position. The product will not charge if it is in any other position. While charging, the product may get warm, this is perfectly normal and safe. It can remain on charge indefinitely without damage or danger. It is not possible to "overcharge" the battery cells with the charger provided.

THIS PRODUCT IS FOR DRY PICK-UP ONLY.

OPERATION (FIG. D)

- To start, slide the On/Off switch forward (i.e. "O"= Off, "I" = On). To stop, slide the switch back.

Always return the product to the charging base immediately after use so that it will be ready and fully charged for the next use. Ensure that the product is fully engaged on the charging base.

CLEANING THE PRODUCT (FIGS. E-I)

WARNING: Never use the Dustbuster without its filters.

NOTE: The filters are re-usable, do not confuse them with disposable dust bags, and do not throw them away when the product is emptied. We recommend that you replace the filters every 6-9 months depending on frequency of use. (Use Cat. No. VF100H filters)

FIG. E - Remove the dust bowl by pressing the dust bowl release button and pulling the bowl down and out. To replace the bowl, place it back onto the handle and click firmly into position.

Important: For best vacuum results, empty bowl after every use.

FIG. F - Empty the debris from the bowl and wash if necessary (see Fig. H).

FIG. G - To remove the filters twist the outer (plastic) filter in a clockwise direction. Shake or lightly brush any loose dust off the outer filter. Remove the inner filter and shake, tap or lightly brush outside surface to remove loose dust. Both filters can be rinsed as shown in fig. (H).
WARNING: Filter must be dry before re-assembling.

Ensure both filters are in place before operating.

FIG. G1 - If your unit is equipped with a filter cleaning wheel as shown in Fig. G1 you can achieve more use between filter cleanings by first switching off the vac, and then rotating the cleaning wheel up or down as shown. Make two full rotations of wheel for best results.

FIG. H - Wash the filters using warm, soapy water and ensure that they are completely dry before using it again. The cleaner the filters are, the better the product will perform. It is very important that the filter is correctly in position before use. The dust bowl can also be washed in warm soapy water. Ensure that it is dry before re-attaching.
WARNING: Filters must be dry before re-assembling.

IMPORTANT: Maximum dust collection will only be obtained with clean filters and an empty dust bowl. If dust begins to fall back out of the product after it is switched off, this indicates that the bowl is full and requires emptying.

FIG. I - The exhaust filter is removed by opening cover and pulling out filter as shown. For best results wash filter regularly with soap and water.

FIG. J - Never immerse the product in water. A damp cloth and soapy water should be used to clean the exterior of the motor section. Always ensure the product is completely dry before re-use or storing.

ECONOMIC USAGE

- Your product is very economical to charge. While it is charging it uses less electricity than a typical night light bulb.
- When fully charged and with a clean filter, the average effective usage times vary by voltage. 15.6 volts and higher: 12 - 15 minutes

TROUBLE SHOOTING

If the product does not work, check the following:

- That the charge indicator light is on when unit is in base.
- The charger was correctly plugged in for recharge. (It feels slightly warm to the touch.)
- The charger cord is not damaged and is correctly attached to the base.
- The charger is plugged into a working electrical outlet.
- That the switch is in the "OFF" position when charging.

ACCESSORIES

Accessories are stored on the product (FIG. K) and are fitted into the nose of the product for use. Accessory use is shown in FIG. L.

Note: Replacement filters can be purchased from most local/national retailers that sell vacuums. Look for VF100H filters.

BATTERY REMOVAL AND DISPOSAL

This product uses nickel-cadmium (Ni-Cd) rechargeable and recyclable batteries. When the batteries no longer hold a charge, they should be removed from the Vac and recycled. They must not be incinerated or composted.

The batteries can be taken for disposal to a Black & Decker, Company-Owned or Authorized Service Center. Some local retailers are also participating in a national recycling program (see "RBRC™ Seal"). Call your local retailer for details. If you bring the batteries to a Black & Decker Company-Owned or Authorized Service Center, the Center will arrange to recycle old batteries. Or, contact your local municipality for proper disposal instructions in your city/town.

To remove the battery pack for disposal:

1. Remove accessories from the bottom of the unit.
2. Using a Phillips screwdriver remove the screws as shown in Fig "M". Then use the screwdriver to push the lock tabs in the direction shown.
3. Pull the battery cover off as shown in Fig. N.
4. Using a Phillips screwdriver remove the two battery location screws as shown in Fig "O". After removing the screws push the battery pack back as shown.
5. Remove the battery pack (Fig. P) and dispose as stated above.

To replace or obtain a new battery pack, contact your local Black & Decker, Company-Owned or Authorized Service Center. Be prepared to provide the Catalog No. of your DustBuster, found on the bottom housing under the crevice tool.

MAINTENANCE

Use only mild soap and damp cloth to clean the vac. Never let any liquid get inside the vac; never immerse any part of the vac into a liquid.

NOTE: Make sure the vacuum is completely dry before using it.

IMPORTANT: To assure product SAFETY and RELIABILITY, repairs, maintenance and adjustment (other than those listed in this manual) should be performed by authorized service centers or other qualified service organizations, always using identical replacement parts.

THE RBRC™ SEAL

The RBRC™ (Rechargeable Battery Recycling Corporation) Seal on the nickel-cadmium battery (or battery pack) indicates that the costs to recycle the battery (or battery pack) at the end of its useful life have already been paid by Black & Decker. In some areas, it is illegal to place

spent nickel-cadmium batteries in the trash or municipal solid waste stream and the RBRC program provides an environmentally conscious alternative.

RBRC in cooperation with Black & Decker and other battery users, has established programs in the United States and Canada to facilitate the collection of spent nickel-cadmium batteries. Help protect our environment and conserve natural resources by returning the spent nickel-cadmium battery to an authorized Black & Decker service center or to your local retailer for recycling. You may also contact your local recycling center for information on where to drop off the spent battery.

AUSTRALIA / NEW ZEALAND

2 YEAR REPLACEMENT GUARANTEE

Black & Decker welcomes you as a purchaser of this product from our range of Home, Workshop Garden Tools and Accessories. All our products are engineered and manufactured to ensure the highest standards of reliability and performance. Black & Decker guarantees this product for a period of 2 years from the date of purchase against defects due to defective materials or workmanship. If the product should become defective within the guarantee period, Black & Decker will make good by replacement free of charge except for minor defects where the appliance may be repaired. The guarantee provisions do not cover failure due to accident, misuse, abuse negligence or nonobservance of local regulations on the part of the user.

Equally, the guarantee provisions do not apply where the appliance has been serviced by a person not authorised by Black & Decker or serviced with non-approved parts and this has contributed to the fault of the product. Superseded models without a replacement equivalent will either be repaired or (at Black & Decker's discretion) replaced with another product of similar retail value.

To claim on the guarantee, you will need to submit proof of purchase to the seller or an authorised repair agent. You can check the location of your nearest authorised repair agent by contacting your local Black & Decker office at the address indicated in this manual.

TRADE PRACTICES ACT 1974 (AUSTRALIA) & CONSUMER GUARANTEE ACT 1993 (NEW ZEALAND)

The provisions of the Black & Decker Home Appliance Replacement Guarantee as set out above are in addition to the conditions and guarantees which are mandatorily implied by law through Trade Practices Act 1974 (Australia) and Consumer Guarantee Act 1993 (New Zealand) and legislation. The Black & Decker Guarantee supplements these rights.

DESIGNED FOR DOMESTIC PURPOSES ONLY

AUSTRALIA

Black & Decker (Australia) Pty Ltd

20 Fletcher Road,
MOOROOLBARK VIC 3138
Tel: (03) 8720 5100
Fax: (03) 9727 5940

Service Department:
Tel: (03) 8720 5132

Fax: (03) 9727 5934

For Repair or Service
See "Power Tools - Retail and Repairs"
section of Yellow Pages, otherwise
Tel: 1800 654 155 to be connected to
your nearest Service Agent.



NEW ZEALAND

Black & Decker New Zealand

81 Hugo Johnston Drive
PENROSE, AUCKLAND NZ
Tel: (64) 9 579 7600
Fax: (64) 9 579 8200
Free Fax: 0800 339258

SPECIFICATIONS

Input: 230V~ (14W) 50Hz CHV1560

Output: 18V~ @ 300mA

Input: 230V~ (11W) 50Hz CHV1680

Output: 19V~ @ 350mA

