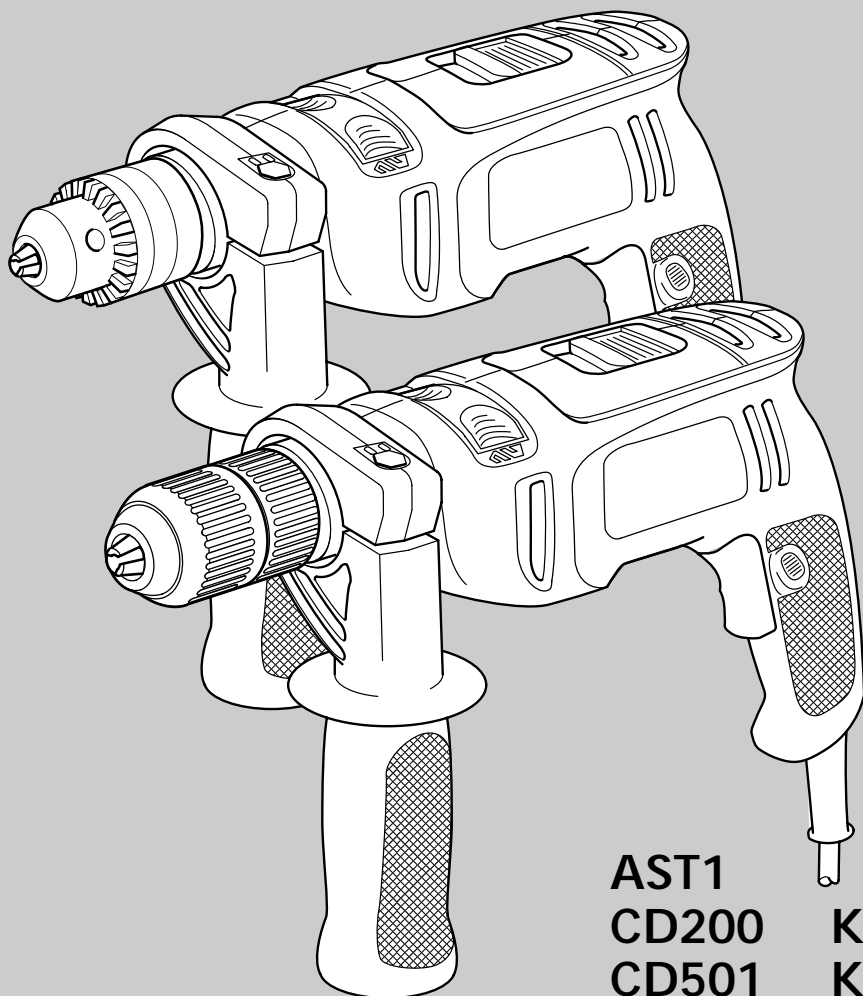
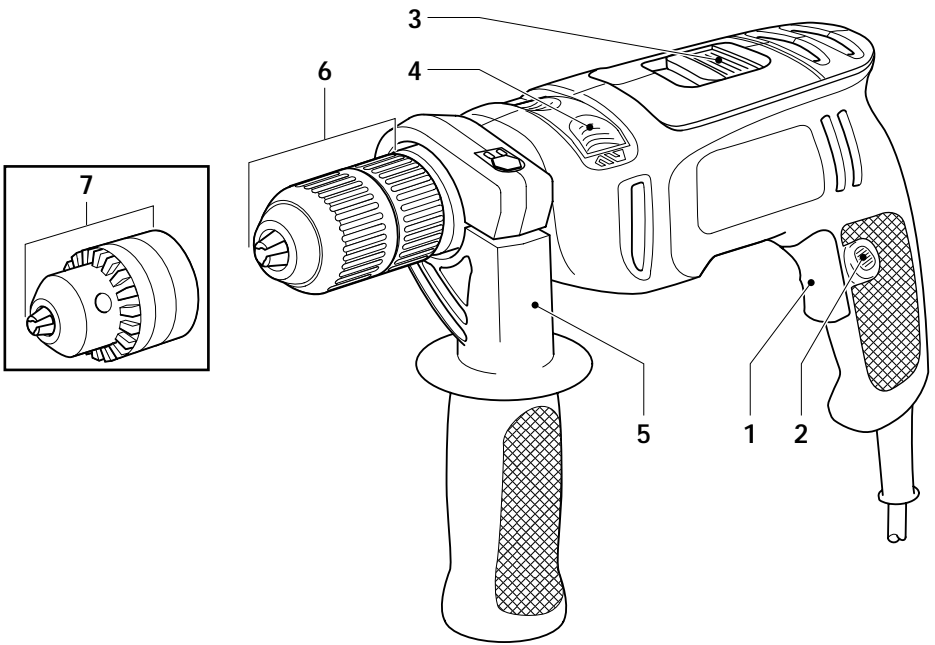


 **BLACK &
DECKER**®

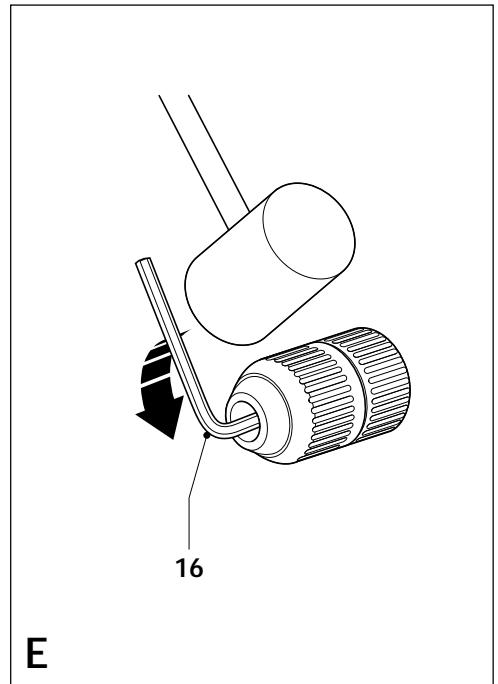
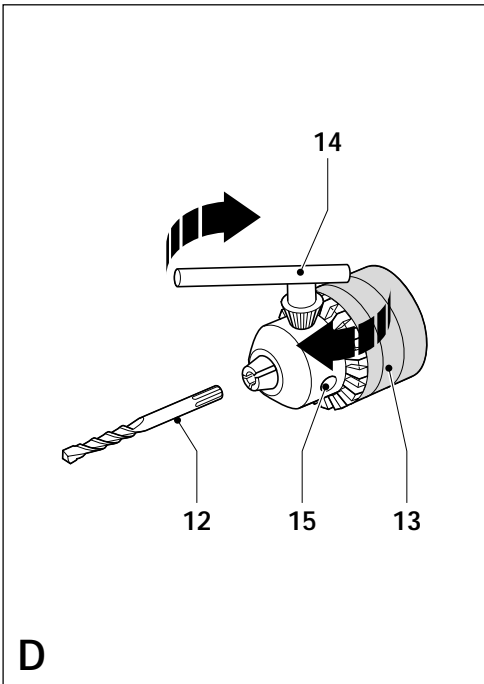
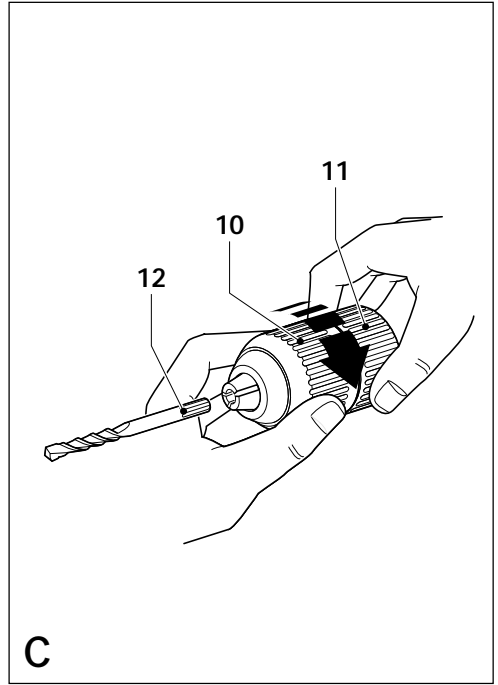
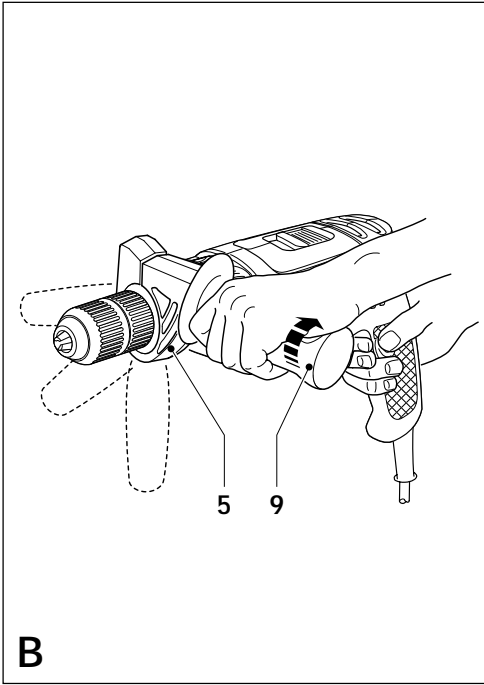


AST1	
CD200	KR500
CD501	KR502
KR400	KR510
KR420	KR531
KR450	KR532

English	5
Deutsch	11
Français	17
Italiano	23
Nederlands	29
Español	35
Português	41
Svenska	47
Norsk	52
Dansk	57
Suomi	63
Ελληνικά	68



A



DRILL AST1/CD200/CD501/KR400/KR420/ KR450/KR500/KR502/KR510/KR531/KR532

CONGRATULATIONS!

You have chosen a Black & Decker tool. Our aim is to provide quality tools at an affordable price. We hope that you will enjoy using this tool for many years.

EC DECLARATION OF CONFORMITY

CE AST1/CD200/CD501/KR400/KR420/
KR450/KR500/KR502/KR510/KR531/KR532
Black & Decker declares that these
products conform to:
98/37/EC, 89/336/EEC, 73/23/EEC,
EN 50144, EN 55014, EN 61000

Level of sound pressure, measured according to
EN 50144:

L_{pA}	(sound pressure)	dB(A)	91
L_{WA}	(acoustic power)	dB(A)	104



Always wear ear protection if the sound
pressure exceeds 85 dB(A).

Hand/arm weighted vibration value according to
EN 50144:

5.2 m/s²

Kevin Hewitt

Director of Consumer Engineering
Spennymoor, County Durham DL16 6JG,
United Kingdom

INTENDED USE

Your Black & Decker drill has been designed for
drilling in wood, metal, plastics and masonry as
well as for screwdriving purposes. This tool is
intended for consumer use only.

SAFETY INSTRUCTIONS

Warning symbols

The following symbols are used in this manual:



Denotes risk of personal injury, loss of life
or damage to the tool in case of non-
observance of the instructions in this
manual.



Denotes risk of electric shock.



Read the manual prior to operation.

Know your tool



- ◆ **Warning!** When using mains-powered
tools, basic safety precautions,
including the following, should always
be followed to reduce the risk of fire,
electric shock, personal injury and
material damage.
- ◆ Read all of this manual carefully before
operating the tool.
- ◆ Before operating the tool, make sure
that you know how to switch the tool off
in an emergency.
- ◆ Retain this manual for future reference.

General

1. Keep work area clean

Cluttered areas and benches can cause accidents.

2. Consider work area environment

Do not expose the tool to rain. Do not use the tool in damp or wet conditions. Keep the work area well lit. Do not use the tool where there is a risk of causing fire or explosion, e.g. in the presence of flammable liquids and gases.

3. Keep children away

Do not allow children, visitors or animals to come near the work area or to touch the tool or mains cable.

4. Dress properly

Do not wear loose clothing or jewellery, as these can be caught in moving parts. Preferably wear rubber gloves and non-slip footwear when working outdoors. Wear protective hair covering to keep long hair out of the way.

5. Personal protection

Always use safety glasses. Use a face or dust mask whenever the operations may produce dust or flying particles. Wear ear protection whenever the sound level seems uncomfortable.

6. Guard against electric shock

Prevent body contact with earthed or grounded surfaces (e.g. pipes, radiators, cookers and refrigerators). Electric safety can be further improved by using a high-sensitivity (30 mA / 30 mS) residual current device (RCD).

7. Do not overreach

Keep proper footing and balance at all times.

8. Stay alert

Watch what you are doing. Use common sense. Do not operate the tool when you are tired.

9. Secure workpiece

Use clamps or a vice to hold the workpiece. It is safer and it frees both hands to operate the tool.

10. Connect dust extraction equipment

If devices are provided for the connection of dust extraction and collection facilities, ensure that these are connected and properly used.

11. Remove keys and adjusting wrenches

Always check that keys and adjusting wrenches are removed from the tool before operating the tool.

12. Extension cables

Before use, inspect the extension cable and replace if damaged. When using the tool outdoors, only use extension cables intended for outdoor use.

13. Use appropriate tool

The intended use is described in this instruction manual. Do not force small tools or attachments to do the job of a heavy-duty tool. The tool will do the job better and safer at the rate for which it was intended. Do not force the tool.

Warning! The use of any accessory or attachment or performance of any operation with this tool other than those recommended in this instruction manual may present a risk of personal injury.

14. Check for damaged parts

Before use, carefully check the tool and mains cable for damage. Check for misalignment and seizure of moving parts, breakage of parts, damage to guards and switches and any other conditions that may affect its operation. Ensure that the tool will operate properly and perform its intended function. Do not use the tool if any part is damaged or defective. Do not use the tool if the switch does not turn it on and off. Have any damaged or defective parts repaired or replaced by an authorised repair agent. Never attempt any repairs yourself.

15. Unplug the tool

Unplug the tool when it is not in use, before changing any parts of the tool, accessories or attachments and before servicing.

16. Avoid unintentional starting

Do not carry the tool with a finger on the on/off switch. Be sure that the tool is switched off when plugging in.

17. Do not abuse cord

Never carry the tool by its cord or pull it to disconnect from the socket. Keep the cord away from heat, oil and sharp edges.

18. Store idle tools

When not in use, tools should be stored in a dry, locked up or high place, out of reach of children.

19. Maintain tools with care

Keep cutting tools sharp and clean for better and safer performance.

Follow the instructions for maintenance and changing accessories. Keep handles and switches dry, clean and free from oil and grease.

20. Repairs

This tool complies with relevant safety requirements. Repairs should only be carried out by qualified persons using original spare parts; otherwise this may result in considerable danger to the user.

Additional safety instructions for Australia and New Zealand

- ◆ This appliance is not intended for use by young or infirm persons without supervision. Children must be supervised to ensure they do not play with the appliance.
- ◆ If the supply cord is damaged, it must be replaced by the manufacturer or an authorised Black & Decker Service Centre in order to avoid a hazard.

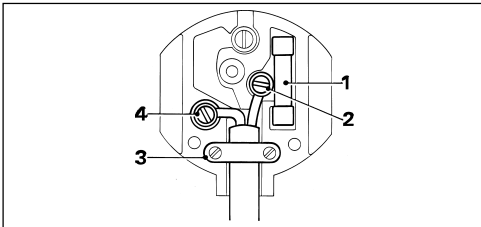
ELECTRICAL SAFETY

The electric motor has been designed for one voltage only. Always check that the power supply corresponds to the voltage on the rating plate.



This tool is double insulated in accordance with EN 50144; therefore no earth wire is required.

Mains plug replacement (U.K. & Ireland only)



- ◆ Should your mains plug need replacing and you are competent to do this, proceed as instructed below. If you are in doubt, contact an authorised repair agent or a qualified electrician.
- ◆ Disconnect the plug from the supply and remove the fuse from the plug.
- ◆ Cut off the plug and dispose of it safely; a plug with bared copper conductors is dangerous if engaged in a live socket outlet.

- ◆ Only fit 13 Amperes BS1363A approved plugs fitted with the correctly rated fuse (1).
- ◆ The cable wire colours, or a letter, will be marked at the connection points of most good quality plugs. Attach the wires to their respective points in the plug (see above). Brown is for Live (L) (2), blue is for Neutral (N) (4).
- ◆ Before replacing the top cover of the mains plug ensure that the cable restraint (3) is holding the outer sheath of the cable firmly and that the leads are correctly fixed at the terminal screws.
- ◆ If the plug has a fuse cover, make sure that the fuse cover is fitted. Do not use the plug if the fuse cover is missing or damaged.



Never use a light socket.

Using an extension cable

Always use an approved extension cable suitable for the power input of this tool (see technical data). Before use, inspect the extension cable for signs of damage, wear and ageing. Replace the extension cable if damaged or defective. When using a cable reel, always unwind the cable completely. Use of an extension cable not suitable for the power input of the tool or which is damaged or defective may result in a risk of fire and electric shock.

OVERVIEW (fig. A)

This tool includes some or all of the following features.

1. Variable speed switch (AST1, CD501, KR450RE, KR500(C)RE, KR510)
1. On/off switch (other models)
2. Lock-on button
3. Two-speed selector (KR502, KR532)
3. Forward/reverse switch (other models)
4. Drilling mode selector
5. Side handle
6. Keyless chuck
7. Keyed chuck

ASSEMBLY



Before attempting any of the following operations, make sure that the tool is switched off and unplugged.

Fitting the side handle (fig. B)

- ◆ Turn the grip (9) counterclockwise until you can slide the side handle (5) onto the front of the tool as shown.
- ◆ Rotate the side handle into the desired position.
- ◆ Tighten the side handle by turning the grip clockwise.

Fitting a drill bit or screwdriver bit

Keyless chuck (fig. C)

- ◆ Open the chuck by turning the front part (10) with one hand while holding the rear part (11) with the other.
- ◆ Insert the bit shaft (12) into the chuck and firmly tighten the chuck.

Keyed chuck (fig. D)

- ◆ Open the chuck by turning the sleeve (13).
- ◆ Insert the bit shaft (12) into the chuck.
- ◆ Insert the chuck key (14) into each hole (15) in the side of the chuck and turn until tight.

Removing and refitting the chuck (fig. E)

- ◆ Open the chuck as far as possible.
- ◆ Remove the chuck retaining screw by turning it clockwise using a screwdriver.
- ◆ Tighten an Allen key (16) into the chuck and strike it with a hammer as shown.
- ◆ Remove the Allen key.
- ◆ Remove the chuck by turning it counterclockwise.
- ◆ To refit the chuck, screw it onto the spindle and secure it with the chuck retaining screw.

USE



- ◆ Let the tool work at its own pace. Do not overload.
- ◆ Before drilling into walls, floors or ceilings, check for the location of wiring and pipes.

Selecting the direction of rotation (fig. A)

- ◆ For drilling and for tightening screws, slide the forward/reverse switch (7) forward.
- ◆ For loosening screws or removing a jammed drill bit, slide the forward/reverse switch (7) backward.



Never change the direction of rotation while the motor is running.

Selecting the drilling mode (fig. A)

- ◆ For drilling in masonry, set the drilling mode selector (4) to the **T** position.
- ◆ For drilling in other materials and for screwdriving, set the drilling mode selector (4) to the **1** position.

Switching on and off (fig. A)

Variable speed switch

- ◆ To switch the tool on, press the variable speed switch (1). The tool speed depends on how far you press the switch. As a general rule, use low speeds for large diameter drill bits and high speeds for smaller diameter drill bits.
- ◆ For continuous operation, press the lock-on button (2) and release the variable speed switch. This option is available only at full speed.
- ◆ To switch the tool off, release the variable speed switch. To switch the tool off when in continuous operation, press the variable speed switch once more and release it.

On/off switch

- ◆ To switch the tool on, press the on/off switch (1). If the tool has a two-speed selector (3), set it to the required speed range. As a general rule, use low speeds for large diameter drill bits and high speeds for smaller diameter drill bits.
- ◆ For continuous operation, press the lock-on button (2) and release the on/off switch.
- ◆ To switch the tool off, release the on/off switch. To switch the tool off when in continuous operation, press the on/off switch once more and release it.

Accessories

The performance of your tool depends on the accessory used. Black & Decker and Piranha accessories are engineered to high quality standards and designed to enhance the performance of your tool. By using these accessories you will get the very best from your tool.

MAINTENANCE

Your Black & Decker tool has been designed to operate over a long period of time with a minimum of maintenance. Continuous satisfactory operation depends upon proper tool care and regular cleaning.



Before performing any maintenance, switch off and unplug the tool.

PROTECTING THE ENVIRONMENT



Black & Decker provides a facility for recycling Black & Decker products once they have reached the end of their working life. This service is provided free of charge. To take advantage of this service please return your product to any authorised repair agent who will collect them on our behalf.

You can check the location of your nearest authorised repair agent by contacting your local Black & Decker office at the address indicated in this manual. Alternatively, a list of authorised Black & Decker repair agents and full details of our after-sales service and contacts are available on the Internet at: www.2helpU.com.

GUARANTEE

Black & Decker is confident of the quality of its products and offers an outstanding guarantee. This guarantee statement is in addition to and in no way prejudices your statutory rights. The guarantee is valid within the territories of the Member States of the European Union and the European Free Trade Area.

If a Black & Decker product becomes defective due to faulty materials, workmanship or lack of conformity, within 24 months from the date of purchase, Black & Decker guarantees to replace defective parts, repair products subjected to fair wear and tear or replace such products to ensure minimum inconvenience to the customer unless:

- ◆ The product has been used for trade, professional or hire purposes;
- ◆ The product has been subjected to misuse or neglect;

Technical data

		CD200 KR400	KR420	KR450	KR450RE	KR510
Voltage	V _{AC}	230	230	230	230	230
Power input	W	400	420	450	450	500
No-load speed	min ⁻¹	2,800	2,800	2,800	0-2,800	0-2,800

		CD501 AST1	KR500RE KR500CRE	KR500	KR502 KR532	KR531
Voltage	V _{AC}	230	230	230	230	230
Power input	W	500	500	500	500	500
No-load speed	min ⁻¹	0-2,800	0-2,800	2,800	2,400/2,800	2,800

Max. drilling capacity

		AST1 CD501CRE KR500(C)RE	KR510XC KR531 KR532	other models
Steel/concrete	mm	13	13	10
Wood	mm	20	20	20

- ◆ The product has sustained damage through foreign objects, substances or accidents;
- ◆ Repairs have been attempted by persons other than authorised repair agents or Black & Decker service staff.

To claim on the guarantee, you will need to submit proof of purchase to the seller or an authorised repair agent. You can check the location of your nearest authorised repair agent by contacting your local Black & Decker office at the address indicated in this manual. Alternatively, a list of authorised Black & Decker repair agents and full details of our after-sales service and contacts are available on the Internet at: www.2helpU.com.

OTHER DIY TOOLS

Black & Decker has a full range of tools that make DIY jobs easy. If you would like further information on the following products, please contact our Service and Information Centre (see the address page towards the end of this manual) or your local Black & Decker retailer.

Drills
Cordless screwdrivers
Cordless drills/screwdrivers
Sanders
Jigsaws
Circular saws
Mitre saws
Angle grinders
Planers
Routers
Corded and cordless multi-purpose tools
Paint strippers
Workbenches

We also have a wide range of accessories for the above tools.

Not all products are available in all countries.

BOHRMASCHINE AST1/CD200/CD501/ KR400/KR420/KR450/KR500/KR502/ KR510/KR531/KR532

HERZLICHEN GLÜCKWUNSCH!

Sie haben sich für ein Gerät von Black & Decker entschieden. Wir möchten Qualitätsgeräte zu einem erschwinglichen Preis bieten. Wir hoffen, daß Sie dieses Gerät viele Jahre mit Freude verwenden werden.

EU-KONFORMITÄTSERKLÄRUNG

CE AST1/CD200/CD501/KR400/KR420/
KR450/KR500/KR502/KR510/KR531/KR532
Black & Decker erklärt hiermit, daß diese
Geräte entsprechend folgenden
Richtlinien und Normen konzipiert wurden:
98/37/EWG, 89/336/EWG, 73/23/EWG,
EN 50144, EN 55014, EN 61000

Höhe des Schalldrucks, gemessen nach EN 50144:

L_{pA} (Schalldruck)	dB(A)	91
L_{WA} (Schalleistung)	dB(A)	104



Tragen Sie bei einem Schalldruck über
85 dB(A) einen Gehörschutz.

Gewichteter Effektivwert der Beschleunigung nach
EN 50144:

5,2 m/s²

Kevin Hewitt
Director of Consumer Engineering
Spennymoor, County Durham DL16 6JG,
United Kingdom

BESTIMMUNGSGEMÄSSE VERWENDUNG

Ihre Black & Decker Bohrmaschine wurde zum
Bohren in Holz, Metall, Kunststoff und Mauerwerk
sowie zum Schrauben entwickelt.
Dieses Gerät ist nicht für den gewerblichen Einsatz
vorgesehen.

SICHERHEITSHINWEISE

Warnsymbole

Folgende Warnsymbole werden in dieser
Anleitung verwendet:



Verletzungsgefahr, Lebensgefahr oder
mögliche Beschädigung des Geräts infolge
der Nichtbeachtung der Anweisungen
dieser Anleitung!



Gefahr eines elektrischen Schlages.



Lesen Sie vor der Inbetriebnahme die
Anleitung.

Kennen Sie Ihr Gerät



- **Warnung!** Bei der Verwendung
elektrischer Geräte sind zum Schutz
gegen Feuergefahr, gegen elektrischen
Schlag sowie gegen Körper- und
Sachschaden grundlegende
Sicherheitsmaßnahmen, einschließlich
der folgenden Vorschriften, zu beachten.
- Lesen Sie diese Anleitung gründlich
durch, bevor Sie das Gerät verwenden.
- Informieren Sie sich vor der
Inbetriebnahme, wie Sie das Gerät im
Notfall ausschalten.
- Bewahren Sie diese Anleitung auf.

Allgemeines

1. Halten Sie Ihren Arbeitsbereich in Ordnung!

Unordnung im Arbeitsbereich führt zu Unfallgefahren.

2. Berücksichtigen Sie Umgebungseinflüsse!

Setzen Sie das Gerät keinem Regen aus. Verwenden Sie das Gerät nicht in einer feuchten oder nassen Umgebung. Sorgen Sie für eine gute Beleuchtung des Arbeitsbereiches. Benutzen Sie das Gerät nicht an Orten, wo Feuergefahr oder Explosionsgefahr besteht, z.B. in der Nähe von brennbaren Flüssigkeiten oder Gasen.

3. Halten Sie Kinder fern!

Halten Sie Kinder, Besucher und Tiere dem Arbeitsbereich fern und sorgen Sie dafür, daß Sie das Gerät und das Netzkabel nicht berühren.

4. Tragen Sie geeignete Arbeitskleidung!

Tragen Sie keine weite Kleidung oder Schmuck, da diese von sich bewegenden Teilen erfaßt werden können. Beim Arbeiten im Freien sind Arbeitshandschuhe und rutschfestes Schuhwerk empfehlenswert. Tragen Sie bei langen Haaren ein Haarnetz.

5. Schutzmaßnahmen:

Verwenden Sie immer eine Schutzbrille. Tragen Sie eine Atemschutzmaske, falls die Arbeiten Staub oder Späne erzeugen können. Tragen Sie bei einem hohen oder unangenehmen Schallpegel immer einen Gehörschutz.

6. Schutz vor elektrischem Schlag:

Vermeiden Sie eine Körperberührung mit geerdeten Objekten (z.B. Rohren, Heizkörpern, Herden und Kühlschränken). Die elektrische Sicherheit läßt sich durch Verwendung eines Fehlerstrom-Schutzschalters (30 mA / 30 mS) weiter erhöhen.

7. Achten Sie auf einen sicheren Stand!

Achten Sie auf einen sicheren Stand, um in jeder Arbeitsposition das Gleichgewicht zu halten.

8. Seien Sie stets aufmerksam!

Konzentrieren Sie sich auf Ihre Arbeit. Gehen Sie vernünftig vor. Verwenden Sie das Gerät nicht, wenn Sie müde sind.

9. Sichern Sie das Werkstück!

Benutzen Sie Spannvorrichtungen oder einen Schraubstock, um das Werkstück festzuhalten.

Es ist damit sicherer gehalten und ermöglicht die Bedienung des Gerätes mit beiden Händen.

10. Schließen Sie Vorrichtungen zur Staubabsaugung an!

Falls Vorrichtungen zur Absaugung oder zum Sammeln von Staub an das Gerät angeschlossen werden können, vergewissern Sie sich, daß diese angeschlossen sind und ordnungsgemäß verwendet werden.

11. Lassen Sie keine Schlüssel stecken!

Überprüfen Sie vor dem Einschalten, ob die Schlüssel und Einstellwerkzeuge entfernt sind.

12. Verlängerungskabel

Prüfen Sie vor dem Gebrauch das Verlängerungskabel und tauschen Sie es aus, falls es beschädigt ist. Wenn Sie das Gerät im Freien verwenden, verwenden Sie nur Verlängerungskabel, die sich für den Einsatz im Freien eignen.

13. Benutzen Sie das richtige Gerät!

Die bestimmungsgemäße Verwendung ist in dieser Betriebsanleitung beschrieben. Verwenden Sie keine zu schwachen Geräte oder Zubehörteile für schwere Arbeiten. Mit dem richtigen Gerät erzielen Sie eine optimale Qualität und gewährleisten Ihre persönliche Sicherheit. Überlasten Sie das Gerät nicht. **Warnung!** Das Verwenden anderer als der in dieser Anleitung empfohlenen Vorsatzgeräte und Zubehörteile oder die Ausführung von Arbeiten mit diesem Gerät, die nicht der bestimmungsgemäßen Verwendung entsprechen, kann zu Unfallgefahren führen.

14. Kontrollieren Sie Ihr Gerät auf Beschädigungen!

Überprüfen Sie das Gerät und das Netzkabel vor der Arbeit auf Beschädigungen. Überprüfen Sie, ob alle beweglichen Teile richtig montiert sind, ob keine Teile gebrochen sind, ob keine Schutzvorrichtungen und Schalter beschädigt sind, und ob irgendwelche andere Schäden den einwandfreien Betrieb des Gerätes beeinträchtigen könnten. Vergewissern Sie sich, daß das Gerät ordnungsgemäß funktionieren wird. Benutzen Sie das Gerät nicht, wenn irgendein Teil defekt ist. Verwenden Sie das Gerät nicht, wenn der Ein-/Aus-Schalter nicht funktioniert.

Lassen Sie defekte Teile immer von einer unserer Kundendienstwerkstätten reparieren oder austauschen. Versuchen Sie nie, das Gerät selber zu reparieren.

15. Ziehen Sie den Netzstecker!

Ziehen Sie den Netzstecker, wenn Sie das Gerät nicht benutzen, bevor Sie irgendwelche Werkzeuge, Zubehörteile oder Geräteteile auswechseln und bevor Sie irgendwelche Wartungsarbeiten vornehmen.

16. Vermeiden Sie ein unbeabsichtigtes Einschalten!

Tragen Sie das Gerät nicht mit dem Finger am Ein-/Aus-Schalter. Vergewissern Sie sich, daß das Gerät ausgeschaltet ist, wenn Sie es an die Stromversorgung anschließen.

17. Behandeln Sie das Kabel sorgfältig!

Tragen Sie das Gerät nicht am Kabel und benutzen Sie das Kabel nicht, um den Stecker aus der Steckdose zu ziehen. Schützen Sie das Kabel vor Hitze, Öl und scharfen Kanten.

18. Bewahren Sie Ihre Geräte sicher auf!

Unbenutzte Geräte sind an einem trockenen, für Kinder nicht erreichbaren Ort aufzubewahren.

19. Pflegen Sie Ihre Geräte mit Sorgfalt!

Halten Sie Schneidwerkzeuge scharf und sauber, um gut und sicher arbeiten zu können. Befolgen Sie die Wartungsvorschriften und die Hinweise für den Werkzeugwechsel. Halten Sie Handgriffe und Schalter trocken, sauber und frei von Öl und Fett.

20. Reparaturen:

Dieses Gerät entspricht den einschlägigen Sicherheitsvorschriften. Reparaturen sind nur von autorisierten Fachkräften und mit Original-Ersatzteilen vorzunehmen; andernfalls kann Unfallgefahr für den Betreiber entstehen.

ELEKTRISCHE SICHERHEIT

Der Elektromotor wurde für nur eine bestimmte Spannung konzipiert. Überprüfen Sie deswegen, ob die Netzspannung der auf dem Typenschild angegebenen Spannung entspricht.



Dieses Gerät ist gemäß EN 50144 doppelt isoliert; eine Erdleitung ist somit nicht erforderlich.



Bei Ersatz des Netzkabels achten Sie auf Verwendung des Schweizer Netzsteckers: Typ 11 für Geräte Klasse II (Doppelisolierung)

Verwendung eines Verlängerungskabels

Verwenden Sie immer ein zugelassenes Verlängerungskabel, das für die Leistungsaufnahme des Geräts ausreichend ist (vgl. technische Daten). Der Mindest-Leiterquerschnitt beträgt 1,5 mm². Überprüfen Sie das Verlängerungskabel vor dem Gebrauch auf Beschädigung, Verschleiß und Alterserscheinungen. Tauschen Sie ein beschädigtes oder defektes Verlängerungskabel aus. Rollen Sie das Kabel bei Verwendung einer Kabelrolle immer völlig aus. Die Verwendung eines Verlängerungskabels, das für die Leistungsaufnahme des Werkzeugs nicht geeignet ist, oder eines beschädigten Verlängerungskabels, kann einen Brand und Stromschläge verursachen.

GERÄTEBESCHREIBUNG (Abb. A)

Dieses Gerät weist einige oder alle der folgenden Merkmale auf.

1. Drehzahl-Regelschalter (AST1, CD501, KR450RE, KR500(C)RE, KR510)
1. Ein-/Aus-Schalter (andere Modelle)
2. Ausschaltsperr
3. Zweigang-Wahlschalter (KR502, KR532)
3. Rechts-/Linkslauf-Umschalter (andere Modelle)
4. Betriebsartenschalter
5. Seitenhandgriff
6. Schnellspannbohrfutter
7. Zahnkranzbohrfutter

MONTAGE



Bevor Sie folgende Schritte durchführen, stellen Sie sicher, daß das Gerät ausgeschaltet und vom Netz getrennt ist.

Anbringen des Zusatzhandgriffes (Abb. B)

- ◆ Drehen Sie den Griff (9) gegen den Uhrzeigersinn, bis der Seitenhandgriff (5) wie angegeben vorne auf das Gerät geschoben werden kann.
- ◆ Drehen Sie den Seitenhandgriff in die gewünschte Stellung.
- ◆ Ziehen Sie den Zusatzhandgriff an, indem Sie ihn im Uhrzeigersinn drehen.

Einsetzen eines Bohrers bzw. einer Schrauberklinge

Schnellspannbohrfutter (Abb. C)

- ◆ Öffnen Sie das Bohrfutter, indem Sie den vorderen Teil (10) mit der einen Hand aufdrehen, während Sie den hinteren Teil (11) mit der anderen Hand festhalten.
- ◆ Setzen Sie den Schaft (12) des Bohrers bzw. der Schrauberklinge in das Bohrfutter und ziehen Sie das Bohrfutter fest an.

Zahnkranzbohrfutter (Abb. D)

- ◆ Öffnen Sie das Bohrfutter durch Drehen des Kragens (13).
- ◆ Stecken Sie den Schaft (12) des Bohrers bzw. der Schrauberklinge in das Bohrfutter.
- ◆ Stecken Sie den Bohrfutterschlüssel (14) in jedes der seitlichen Löcher (15) des Bohrfutters und drehen Sie, bis das Einsatzwerkzeug einwandfrei gespannt ist.

Entfernen und Anbringen des Bohrfutters (Abb. E)

- ◆ Öffnen Sie das Bohrfutter vollständig.
- ◆ Entfernen Sie die Bohrfuttersicherungsschraube, indem Sie sie mit einem Schraubendreher im Uhrzeigersinn drehen.
- ◆ Spannen Sie einen Innensechskantschlüssel (16) in das Bohrfutter ein, und schlagen Sie wie oben beschrieben leicht mit einem Hammer auf den Innensechskantschlüssel.
- ◆ Entfernen Sie den Innensechskantschlüssel.
- ◆ Entfernen Sie das Bohrfutter, indem Sie es gegen den Uhrzeigersinn drehen.
- ◆ Um das Bohrfutter wieder anzubringen, schrauben Sie es auf die Spindel und sichern Sie es mit der Spindelsicherungsschraube.

GEBRAUCH



- ◆ Beschleunigen Sie den Arbeitsvorgang nicht mit Gewalt. Vermeiden Sie eine Überlastung des Gerätes.
- ◆ Informieren Sie sich vor dem Bohren in Wände, Böden und Decken über den genauen Verlauf von Leitungen und Rohren.

Wahl der Drehrichtung (Abb. A)

- ◆ Zum Bohren und zum Anziehen von Schrauben schieben Sie den Rechts-/Linkslauf-Umschalter (7) nach vorne.
- ◆ Zum Herausdrehen von Schrauben und zum Entfernen eines festgeklebten Bohrers schieben Sie den Rechts-/Linkslauf-Umschalter (7) nach hinten.



Ändern Sie niemals die Laufrichtung, während der Motor läuft.

Wahl der Betriebsart (Abb. A)

- ◆ Um in Mauerwerk zu bohren, stellen Sie den Betriebsartenschalter (4) in die Position **T**.
- ◆ Um in andere Materialien zu bohren sowie zum Schrauben stellen Sie den Betriebsartenschalter (4) in die Position **!**.

Ein- und Ausschalten (Abb. A)

Drehzahl-Regelschalter

- ◆ Um das Gerät einzuschalten, drücken Sie den Drehzahl-Regelschalter (1). Je tiefer Sie den Schalter drücken, um so höher ist die Drehzahl des Geräts. Im Allgemeinen sollten für Bohrer mit großen Durchmessern niedrige Drehzahlen und für Bohrer mit kleineren Durchmessern hohe Drehzahlen verwendet werden.
- ◆ Drücken Sie für Dauerbetrieb den Arretierknopf (2). Sie können nun den Drehzahl-Regelschalter loslassen. Diese Möglichkeit besteht nur bei voller Drehzahl.
- ◆ Um das Gerät auszuschalten, lassen Sie den Drehzahl-Regelschalter los. Ausschalten im Dauerbetrieb: drücken Sie den Drehzahl-Regelschalter erneut und lassen Sie ihn wieder los.

Ein-/Ausschalter

- ◆ Um das Gerät einzuschalten, drücken Sie auf den Ein-/Aus-Schalter (1). Ist das Gerät mit einem Zweigang-Wahlschalter (3) ausgestattet, stellen Sie diesen auf den gewünschten Drehzahlbereich. Im Allgemeinen sollten für Bohrer mit großen Durchmessern niedrige Drehzahlen und für Bohrer mit kleineren Durchmessern hohe Drehzahlen verwendet werden.

- Drücken Sie für Dauerbetrieb den Arretierknopf (2). Sie können nun den Ein-/Aus-Schalter loslassen.
- Um das Gerät auszuschalten, lassen Sie den Ein-/Aus-Schalter los. Ausschalten im Dauerbetrieb: drücken Sie den Ein-/Aus-Schalter erneut und lassen Sie ihn wieder los.

Zubehör

Die Leistung Ihres Geräts hängt vom verwendeten Zubehör ab. Black & Decker und Piranha Zubehör ist nach hohen Qualitätsnormen gefertigt und dafür ausgelegt, die Leistung Ihres Geräts zu steigern. Durch Verwendung dieses Zubehörs erzielen Sie die größtmögliche Leistung Ihres Geräts.

WARTUNG

Ihr Black & Decker Gerät wurde für eine lange Lebensdauer und einen möglichst geringen Wartungsaufwand entwickelt. Ein dauerhafter, einwandfreier Betrieb setzt eine regelmäßige Reinigung voraus.



Bevor Sie irgendwelche Wartungsarbeiten vornehmen, schalten Sie das Gerät aus und ziehen Sie den Netzstecker.

UMWELTSCHUTZ



Black & Decker nimmt Ihre ausgedienten Black & Decker Geräte gern zurück und sorgt für eine umweltfreundliche Entsorgung. Diese Dienstleistung ist für Sie kostenlos. Um diese Dienstleistung in Anspruch zu nehmen, geben Sie das Gerät bitte bei einer autorisierten Reparaturwerkstatt ab, die für uns die Einsammlung übernimmt.

Die Adresse des zuständigen Büros von Black & Decker finden Sie in dieser Anleitung, darüber läßt sich die nächstgelegene Vertragswerkstatt ermitteln. Außerdem ist eine Liste der Vertragswerkstätten und aller Kundendienststellen von Black & Decker sowie der zuständigen Ansprechpartner im Internet zu finden unter: www.2helpU.com.

Technische Daten

		CD200 KR400	KR420	KR450	KR450RE	KR510
Spannung	V_{AC}	230	230	230	230	230
Leistungsaufnahme	W	400	420	450	450	500
Leerlaufdrehzahl	min ⁻¹	2.800	2.800	2.800	0-2,800	0-2,800

		CD501 AST1	KR500RE KR500CRE	KR500	KR502 KR532	KR531
Spannung	V_{AC}	230	230	230	230	230
Leistungsaufnahme	W	500	500	500	500	500
Leerlaufdrehzahl	min ⁻¹	0-2.800	0-2.800	2.800	2,400/2,800	2,800

Max. Bohrkapazität

		AST1 CD501CRE KR500(C)RE	KR510XC KR531 KR532	andere Modelle
Stahl/Beton	mm	13	13	10
Holz	mm	20	20	20

GARANTIE

Black & Decker vertraut auf die Qualität der eigenen Geräte und bietet dem Käufer eine außergewöhnliche Garantie. Diese Garantiezusage versteht sich unbeschadet der gesetzlichen Gewährleistungsansprüche und schränkt diese keinesfalls ein. Sie gilt in sämtlichen Mitgliedsstaaten der Europäischen Union und der Europäischen Freihandelszone EFTA.

Tritt innerhalb von 24 Monaten ab Kaufdatum an einem Gerät von Black & Decker ein auf Material- oder Verarbeitungsfehler zurückzuführender Mangel auf, garantiert Black & Decker den Austausch defekter Teile, die Reparatur von Geräten mit üblichem Verschleiß bzw. den Austausch eines mangelhaften Geräts, ohne den Kunden dabei mehr als unbedingt nötig in Anspruch zu nehmen, allerdings vorbehaltlich folgender Ausnahmen:

- ◆ wenn das Gerät gewerblich, beruflich oder im Verleihgeschäft benutzt wurde;
- ◆ wenn das Gerät mißbräuchlich verwendet oder mit mangelnder Sorgfalt behandelt wurde;
- ◆ wenn das Gerät durch irgendwelche Fremdeinwirkung beschädigt wurde;
- ◆ wenn ein unbefugter Reparaturversuch durch anderes Personal als das einer Vertragswerkstatt oder des Black & Decker-Kundendienstes unternommen wurde.

Zur Inanspruchnahme dieser Garantie ist dem Verkäufer bzw. der Vertragswerkstatt ein Kaufnachweis vorzulegen. Die Adresse des zuständigen Büros von Black & Decker steht in dieser Anleitung, darüber läßt sich die nächstgelegene Vertragswerkstatt ermitteln. Außerdem ist eine Liste der Vertragswerkstätten und aller Kundendienststellen von Black & Decker sowie der zuständigen Ansprechpartner im Internet zu finden unter: www.2helpU.com.

WEITERE HEIMWERKERGERÄTE

Black & Decker bietet ein großes Sortiment an Heimwerkergeräten an, die die Heimwerkerarbeit erheblich erleichtern. Für nähere Informationen zu den folgenden Geräten wenden Sie sich bitte an den Black & Decker Kundendienst (Adresse hinten in dieser Anleitung) oder an Ihren Händler.

Bohrmaschinen
Bohrhämmer
Akku-Schrauber
Akku-Bohrschrauber
Akku-Handkreissägen
Schleifer
Stichsägen
Handkreissägen
Kapp- und Gehrungssägen
Universalsägen
Winkelschleifer
Hobel
Oberfräsen
Multifunktionsgeräte
Akku-Multifunktionsgeräte
Heißluftgeräte
Tacker
Werkbänke

Wir bieten auch ein großes Sortiment an Zubehörteilen für diese Geräte an.

Nicht alle Produkte sind in allen Ländern erhältlich.

PERCEUSE AST1/CD200/CD501/KR400/KR420/ KR450/KR500/KR502/KR510/KR531/KR532

FELICITATIONS !

Vous avez choisi un outil Black & Decker. Notre but est de fournir des outils de qualité au juste prix. Nous espérons que vous profiterez de cet outil pendant longtemps.

DECLARATION DE CONFORMITE CE

CE AST1/CD200/CD501/KR400/KR420/KR450/
KR500/KR502/KR510/KR531/KR532
Black & Decker déclare que ces outils sont conformes aux normes:
98/37/CEE, 89/336/CEE, 73/23/CEE,
EN 50144, EN 55014, EN 61000

Niveau de pression acoustique, mesuré suivant la norme EN 50144:

L_{pA} (pression acoustique)	dB(A)	91
L_{WA} (puissance acoustique)	dB(A)	104



Portez toujours des protections pour les oreilles (casque) lorsque le niveau de pression acoustique est supérieur à 85 dB(A).

Niveau de vibration main/bras selon la norme EN 50144:

5,2 m/s²

Kevin Hewitt
Directeur du Développement
Spennymoor, County Durham DL16 6JG,
Royaume-Uni

UTILISATION PREVUE

Votre perceuse Black & Decker a été conçue pour percer le bois, le métal, le plastique et la maçonnerie, ainsi que pour fonctionner comme visseuse-dévisseuse.

Cet outil a été conçu pour une utilisation exclusivement domestique.

INSTRUCTIONS DE SECURITE

Symboles de prévention

Les symboles suivants sont utilisés dans le présent manuel:



Risque de blessure, danger de mort ou risque de dégradation de l'outil en cas de non-respect des instructions du présent manuel.



Risque d'électrocution.



Lire le manuel avant d'utiliser l'outil.

Découvrez votre outil



- ◆ **Attention!** Lors de l'utilisation d'outils électriques, observez les consignes fondamentales de sécurité, y compris celles qui suivent afin de réduire les risques d'incendie, de décharges électriques, de blessures et de dommages matériels.
- ◆ Lisez et observez attentivement les instructions avant d'utiliser l'outil.
- ◆ Avant d'utiliser l'outil, assurez-vous de savoir comment mettre votre outil à l'arrêt en cas d'urgence.
- ◆ Conservez ces instructions.

Généralités

1. Tenez votre aire de travail propre et bien rangée

Le désordre augmente les risques d'accident.

2. Tenez compte des conditions ambiantes

N'exposez pas l'outil à la pluie. N'exposez pas l'outil à l'humidité. Veillez à ce que l'aire de travail soit bien éclairée. N'utilisez pas l'outil s'il existe un risque d'incendie ou d'explosion, par exemple en présence de liquides ou de gaz inflammables.

3. Tenez les enfants éloignés

Ne laissez pas les enfants, les visiteurs ou les animaux s'approcher de l'aire de travail ou toucher l'outil ou le câble d'alimentation.

4. Portez des vêtements de travail appropriés

Ne pas porter de vêtements flottants ou de bijoux. Ils pourraient être happés par les pièces en mouvement. Lors de travaux à l'extérieur, il est recommandé de porter des gants en caoutchouc et des chaussures à semelle anti-dérapante. Le cas échéant, attachez vos cheveux s'ils sont longs, ou couvrez vous la tête.

5. Protection

Portez toujours des lunettes de protection. Portez des lunettes de protection et un masque pour protéger le visage si le travail exécuté produit de la poussière ou des copeaux volants. Portez des protections auditives lorsque le niveau sonore semble gênant.

6. Protégez-vous des décharges électriques.

Veillez à ce que le corps n'entre pas en contact avec des surfaces reliées à la prise de masse ou de terre (par ex. Tuyaux, radiateurs, cuisinières et réfrigérateurs). Utilisez un interrupteur de protection contre les courants de court-circuits à haute sensibilité (30 mA / 30 mS) pour améliorer la sécurité électrique.

7. Adoptez une position confortable

Toujours tenir les deux pieds à terre et garder l'équilibre.

8. Faites preuve de vigilance

Observez votre travail. Faites preuve de bon sens. Ne pas employer l'outil en cas de fatigue.

9. Fixez bien la pièce à travailler

Pour plus de sécurité, fixez la pièce à travailler avec un dispositif de serrage ou un étai. Ainsi, vous aurez les deux mains libres pour manier l'outil.

10. Branchez le dispositif d'extraction de poussière.

Si vous disposez de systèmes pour brancher les dispositifs d'extraction et de ramassage de poussière, assurez-vous qu'ils sont bien branchés et qu'ils fonctionnent correctement.

11. Enlevez les clés et outils de réglage

Avant de mettre l'outil en marche, retirez les clés et outils de réglage.

12. Rallonges

Vérifiez la rallonge avant de l'utiliser et remplacez-la en cas de dommage. Si vous souhaitez utiliser cet outil à l'extérieur, n'utilisez que des rallonges prévues à cet effet.

13. Utilisez l'outil adéquat

Le domaine d'utilisation de l'outil est décrit dans le présent manuel. Ne pas utiliser d'outils ou d'accessoires de trop faible puissance pour exécuter des travaux lourds. L'utilisation d'accessoires autres que ceux recommandés dans le présent manuel pourrait entraîner un risque de blessure. Ne forcez pas l'outil.

Attention! Utilisez l'outil conformément à sa destination.

14. Contrôlez les dommages éventuels de votre outil

Avant d'utiliser l'outil et le câble d'alimentation, vérifiez soigneusement qu'ils ne sont pas endommagés. Vérifiez l'alignement des pièces en mouvement, leur prise et toute rupture de pièces, tout dommage des protections et des interrupteurs et toute autre condition pouvant affecter le fonctionnement de l'outil.

Veillez à ce que l'outil fonctionne correctement et qu'il exécute les tâches pour lesquelles il est prévu.

N'utilisez pas l'outil si une pièce est défectueuse. Ne pas utiliser l'outil si l'interrupteur marche/arrêt ne fonctionne pas.

Faites réparer ou échangez toute pièce endommagée par un service de réparation agréé. Ne tentez jamais de le réparer vous-même.

15. Retirez l'outil de la prise

Retirez l'outil de la prise lorsque l'outil n'est pas utilisé, avant de changer toute pièce de l'outil ou tout accessoire et avant de procéder à l'entretien.

16. Évitez tout démarrage involontaire

Ne portez pas l'outil avec un doigt sur l'interrupteur marche/arrêt. Assurez-vous que l'outil est en position d'arrêt avant de le brancher.

17. Ne tirez pas sur le câble d'alimentation

Ne portez jamais l'outil par le câble et ne tirez pas sur celui-ci pour le débrancher de la prise. Préservez le câble de la chaleur, de l'huile et des arêtes tranchantes.

18. Rangez vos outils dans un endroit sûr

Lorsque vous n'utilisez pas vos outils, rangez-les dans un endroit sec, fermé ou élevé, hors de portée des enfants.

19. Entretenez vos outils avec soin

Maintenez vos outils affûtés et propres afin de travailler mieux et plus sûrement. Suivez les instructions d'entretien et de changement d'accessoires. Maintenez les poignées et les interrupteurs secs, propres et exempts d'huile et de graisse.

20. Réparations

Cet outil est conforme aux conditions de sécurité requises. Les réparations devront uniquement être effectuées par des personnes qualifiées utilisant des pièces de rechange d'origine ; en cas contraire, cela pourrait être très dangereux pour l'utilisateur.

SECURITE ELECTRIQUE

Le moteur électrique a été conçu pour une seule tension. Vérifiez si la tension secteur correspond à la tension indiquée sur la plaque d'identification.



Cet outil à double isolation est conforme à la norme EN 50144; un branchement à une prise de terre n'est donc pas nécessaire.



Toujours utiliser la fiche prescrite lors du remplacement du câble d'alimentation. Type 11 pour la classe II - double isolation

Câbles de rallonge

Utilisez un câble de rallonge adapté à la puissance absorbée de cet outil (voir les caractéristiques techniques). La section minimum du conducteur est de 1,5 mm². Avant d'utiliser l'outil, vérifiez que le câble n'est ni endommagé ni usé. Changez le câble de rallonge s'il est endommagé. En cas d'utilisation d'un dévidoir, déroulez toujours le câble complètement. L'utilisation d'une rallonge non adaptée ou endommagée ou défectueuse peut entraîner un risque d'incendie ou d'électrocution.

APERÇU (fig. A)

Cet outil comprend toutes ou certaines des caractéristiques suivantes.

1. Interrupteur à variateur de vitesse (AST1, CD501, KR450RE, KR500(C)RE, KR510)
1. Interrupteur marche/arrêt (autres modèles)
2. Bouton de verrouillage
3. Sélecteur à deux vitesses (KR502, KR532)
3. Interrupteur de rotation droite / gauche (autres modèles)
4. Sélecteur de mode
5. Poignée latérale
6. Mandrin autoserrant
7. Mandrin à clé

ASSEMBLAGE

Avant d'effectuer l'une des opérations suivantes, assurez-vous que l'outil est bien éteint et débranché.

Montage de la poignée latérale (fig. B)

- ◆ Faites tourner la poignée (9) dans le sens inverse des aiguilles d'une montre jusqu'à ce que vous puissiez faire glisser la poignée latérale (5) sur le devant de l'outil comme indiqué.
- ◆ Faites tourner la poignée latérale dans la position souhaitée.
- ◆ Serrez la poignée latérale en la faisant tourner dans le sens des aiguilles d'une montre.

Comment installer un foret ou un embout de tournevis.

Mandrin sans clé (fig. C)

- ◆ Ouvrez le mandrin en faisant tourner la partie avant (10) d'une main tout en tenant la partie arrière (11) de l'autre main.
- ◆ Insérez la tige du foret (12) dans le mandrin et serrez fermement le mandrin.

Mandrin à clé (fig. D)

- ◆ Ouvrez le mandrin en faisant tourner le manchon (13).
- ◆ Insérez la tige du foret (12) dans le mandrin.
- ◆ Insérez la clé du mandrin (14) dans chaque orifice (15) du côté du mandrin et faites-la tourner jusqu'à ce que l'ensemble soit bien serré.

Comment enlever et replacer le mandrin (fig. E)

- ◆ Ouvrez le mandrin jusqu'à son ouverture maximum.
- ◆ Enlevez la vis de serrage du mandrin en la faisant tourner dans le sens des aiguilles d'une montre à l'aide d'un tournevis.
- ◆ Placez une clé Allen (16) dans le mandrin et enfoncez-la avec un marteau comme indiqué.
- ◆ Enlevez la clé Allen.
- ◆ Enlevez le mandrin en le faisant tourner dans le sens inverse des aiguilles d'une montre.
- ◆ Pour replacer le mandrin, vissez-le sur l'arbre et serrez-le avec la vis de serrage.

UTILISATION



- ◆ Laissez l'outil fonctionner à sa propre vitesse. Ne le surchargez pas.
- ◆ Avant de percer les murs, les planchers ou les plafonds, vérifiez l'emplacement des fils électriques et des tuyaux.

Sélection du sens de rotation (fig. A)

- ◆ Pour le perçage et le vissage, placez l'interrupteur de rotation droite/gauche (7) sur la position droite.
- ◆ Pour desserrer des vis ou enlever un foret de perçage coincé, placez l'interrupteur de rotation (7) sur la position gauche.



Ne changez jamais le sens de rotation lorsque le moteur est en marche.

Sélection du mode de perçage (fig. A)

- ◆ Pour le perçage dans la maçonnerie, fixez le sélecteur de mode de perçage (4) en position **T**.
- ◆ Pour le perçage dans d'autres matériaux et le vissage, fixez le sélecteur de mode de perçage (4) en position **1**.

Démarrage et arrêt (fig. A)

Interrupteur à variateur de vitesse

- ◆ Pour allumer l'outil, appuyez sur l'interrupteur de vitesse variable (1). La vitesse de l'outil dépend de la force que vous exercez sur l'interrupteur. En règle générale, utilisez des vitesses lentes pour les forets de perçage de gros diamètres et les vitesses rapides pour les forets de petits diamètres.
- ◆ Pour un fonctionnement en continu, appuyez sur le bouton de verrouillage (2) et relâchez l'interrupteur de vitesse variable. Cette option n'est disponible qu'en vitesse maximale.
- ◆ Pour éteindre l'outil, relâchez l'interrupteur de vitesse variable. Pour éteindre l'outil lorsqu'il est en fonctionnement continu, appuyez sur l'interrupteur de vitesse variable une fois de plus et relâchez-le.

Interrupteur marche/arrêt

- ◆ Pour allumer l'outil, appuyez sur l'interrupteur marche/arrêt (1). Si l'outil est pourvu d'un sélecteur à deux vitesses (3), réglez-le sur la gamme de vitesse voulue. En règle générale, utilisez des vitesses lentes pour les forets de perçage de gros diamètres et les vitesses rapides pour les forets de petits diamètres.
- ◆ Pour un fonctionnement en continu, appuyez sur le bouton de verrouillage (2) et relâchez l'interrupteur marche/arrêt.
- ◆ Pour éteindre l'outil, relâchez l'interrupteur marche/arrêt. Pour éteindre l'outil lorsqu'il est en fonctionnement continu, appuyez sur l'interrupteur marche/arrêt une fois de plus et relâchez-le.

Accessoires

Les performances de votre outil dépendent de l'accessoire que vous utilisez. Les accessoires Black & Decker et Piranha sont conçus selon les normes de haute qualité pour améliorer les performances de votre outil. En utilisant ces accessoires, vous obtiendrez les meilleurs résultats de votre outil.

ENTRETIEN

Votre outil Black & Decker a été conçu pour fonctionner durablement avec un minimum d'entretien. Un fonctionnement continu satisfaisant dépend d'un nettoyage régulier et d'un entretien de l'outil approprié.



Avant d'effectuer tout entretien, éteignez et débranchez l'outil.

PROTECTION DE L'ENVIRONNEMENT

Black & Decker fournit un dispositif permettant de recycler les produits Black & Decker lorsqu'ils ont atteint la fin de leur cycle de vie. Ce service est gratuit. Pour pouvoir profiter de ce service, veuillez retourner votre produit à un réparateur agréé qui se chargera de le collecter pour nous.

Pour connaître l'adresse du réparateur agréé le plus proche de chez vous, contactez le bureau Black & Decker à l'adresse indiquée dans ce manuel. Vous pourrez aussi trouver une liste des réparateurs agréés de Black & Decker et de plus amples détails sur notre service après-vente sur le site Internet à l'adresse suivante : www.2helpU.com.

GARANTIE

Black & Decker est confiant dans la qualité de ses produits et vous offre une garantie très étendue. Ce certificat de garantie est un document supplémentaire et ne peut en aucun cas se substituer à vos droits légaux. La garantie est valable sur tout le territoire des Etats Membres de l'Union Européenne et de la Zone de Libre Echange Européenne.

Caractéristiques techniques

		CD200 KR400	KR420	KR450	KR450RE	KR510
Tension	V_{AC}	230	230	230	230	230
Puissance absorbée	W	400	420	450	450	500
Vitesse à vide	min^{-1}	2.800	2.800	2.800	0-2,800	0-2,800

		CD501 AST1	KR500RE KR500CRE	KR500	KR502 KR532	KR531
Tension	V_{AC}	230	230	230	230	230
Puissance absorbée	W	500	500	500	500	500
Vitesse à vide	min^{-1}	0-2.800	0-2.800	2.800	2,400/2,800	2,800

Capacité max. de perçage

		AST1 CD501CRE KR500(C)RE	KR510XC KR531 KR532	autres modèles
Acier/béton	mm	13	13	10
Bois	mm	20	20	20

Si un produit Black & Decker s'avère défectueux en raison de matériaux en mauvaises conditions, d'une erreur humaine, ou d'un manque de conformité dans les 24 mois suivant la date d'achat, Black & Decker garantit le remplacement des pièces défectueuses, la réparation des produits usés ou cassés ou remplace ces produits à la convenance du client, sauf dans les circonstances suivantes :

- ◆ Le produit a été utilisé dans un but commercial, professionnel, ou a été loué.
- ◆ Le produit a été mal utilisé ou avec négligence.
- ◆ Le produit a subi des dommages à cause d'objets étrangers, de substances ou à cause d'accidents.
- ◆ Des réparations ont été tentées par des techniciens ne faisant pas partie du service technique de Black & Decker.

Pour avoir recours à la garantie, il est nécessaire de fournir une preuve d'achat au vendeur ou à un réparateur agréé. Pour connaître l'adresse du réparateur agréé le plus proche de chez vous, contactez le bureau Black & Decker à l'adresse indiquée dans ce manuel. Vous pourrez aussi trouver une liste des réparateurs agréés de Black & Decker et de plus amples détails sur notre service après-vente sur le site Internet à l'adresse suivante : www.2helpU.com.

AUTRES OUTILS DE BRICOLAGE

Black & Decker possède une gamme complète d'outils rendant le bricolage facile. Si vous souhaitez obtenir de plus amples renseignements sur les produits suivants, veuillez contacter notre Centre de Service et d'Information (voir la page d'adresse à la fin de ce manuel) ou vous adresser à votre revendeur Black & Decker local.

Perceuses
Tournevis sans fil
Perceuses / Tournevis sans fil
Ponceuses
Scies sauteuses
Scies circulaires
Scies à onglets
Meuleuses
Rabots
Défonceuses
Outils multifonction sans fil et avec fil
Décapeurs thermiques
Décolleuse à papier peints
Etablis

Nous disposons également d'une large gamme d'accessoires pour les outils mentionnés ci-dessus.

Tous les produits ne sont pas disponibles dans tous les pays.

TRAPANO AST1/CD200/CD501/KR400/KR420/ KR450/KR500/KR502/KR510/KR531/KR532

CONGRATULAZIONI!

Lei ha scelto un utensile Black & Decker. Il nostro obiettivo è fornire utensili di qualità ad un prezzo contenuto. Desideriamo che questo utensile sia di suo gradimento e lo possa usare per molti anni.

DICHIARAZIONE CE DI CONFORMITÀ

CE CD200/CD501/KR400/KR420/KR450/
KR500/KR502/KR510/KR531/KR532
Black & Decker dichiara che questi utensili sono stati costruiti in conformità a:
98/37/CEE, 89/336/CEE, 73/23/CEE,
EN 50144, EN 55014, EN 61000

Livello di rumorosità, dati ricavati in base alla norma EN 50144:

L_{pA} (rumorosità)	dB(A)	91
L_{WA} (potenza sonora)	dB(A)	104



Prendere appropriate misure a protezione dell'udito qualora il livello acustico superasse gli 85 dB(A).

Il valore medio quadratico ponderato dell'accelerazione secondo EN 50144:

5,2 m/s²

Kevin Hewitt
Direttore di Ricerca e Sviluppo
Spennymoor, County Durham DL16 6JG,
United Kingdom

USO PROGETTATO

Il trapano Black & Decker è stato progettato per perforare legno, metalli, plastica e muratura, nonché per funzionare come cacciavite. L'utensile è stato progettato per un uso individuale.

ISTRUZIONI DI SICUREZZA

Simboli di sicurezza

I seguenti simboli vengono usati nel presente manuale:



Indica rischio di infortunio, pericolo di morte o danno all'apparecchio qualora non ci si attenga alle istruzioni contenute nel presente manuale.



Indica pericolo di scossa elettrica.



Leggere attentamente il manuale prima di utilizzare l'utensile.

Conoscere l'utensile



- ◆ **Attenzione!** Quando si impiegano utensili alimentati elettricamente, per ridurre il rischio di incendio, di scosse elettriche e danni a persone e cose è necessario seguire sempre delle precauzioni di sicurezza basilari, incluso le seguenti:
 - ◆ Prima di adoperare l'utensile, leggere attentamente le istruzioni di cui al presente manuale.
 - ◆ Prima di far funzionare l'utensile, assicuratevi di conoscere come spegnere l'utensile in caso di emergenza.
 - ◆ Conservare queste istruzioni per utilizzarle in futuro.

Norme generali**1. Tenere pulita l'area di lavoro**

Ambienti e banchi di lavoro in disordine possono essere causa d'incidenti.

2. Tener presenti le caratteristiche dell'ambiente di lavoro

Non lasciare l'utensile sotto la pioggia. Non usare l'utensile in ambienti carichi di umidità. Tenere ben illuminata l'area di lavoro. Non usare l'utensile quando vi sia rischio di provocare un incendio o una esplosione, per es. in luoghi con atmosfera gassosa o infiammabile.

3. Tenere i bambini lontani dall'area di lavoro

Non permettere a bambini, altre persone o animali di avvicinarsi alla zona di lavoro, toccare l'utensile o il cavo di alimentazione.

4. Usare il vestiario appropriato

Evitare l'uso di abiti svolazzanti, catenine, ecc. in quanto potrebbero rimanere impigliati nelle parti mobili dell'utensile. Lavorando all'aperto indossare guanti di gomma e scarpe con soles antidrucciolo. Raccogliere i capelli se si portano lunghi.

5. Protezione personale

Indossate occhiali di sicurezza. Indossate una mascherina contro la polvere ogni volta che l'uso dell'utensile provochi polvere o schegge. Indossate cuffie acustiche quando consideriate che il livello acustico sia troppo alto.

6. Fare attenzione alle scosse elettriche

Evitare il contatto con le superfici messe a terra (ad esempio tubi, radiatori, cuocitori e refrigeratori). La sicurezza elettrica può essere ulteriormente ampliata utilizzando un dispositivo a corrente residua (RCD) ad alta sensibilità (30 mA / 30 mS).

7. Non sbilanciarsi

Mantenere sempre un buon equilibrio evitando posizioni malsicure.

8. Stare sempre attenti

Prestare attenzione a quanto si sta facendo. Usare il proprio buon senso. Non utilizzare l'utensile quando si è stanchi.

9. Bloccare il pezzo da lavorare

Usare pinze o morse per bloccare il pezzo da lavorare.

Ciò aumenta la sicurezza e consente di mantenere entrambe le mani libere per operare meglio.

10. Connettere l'apparecchiatura aspirapolvere

Se sono forniti i dispositivi per la connessione delle macchina aspirazione e raccolta della polvere, verificare che vengano collegati e utilizzati correttamente.

11. Non lasciare sull'utensile chiavi o strumenti di misura

Prima di mettere in funzione l'utensile abbiate cura di togliere chiavi e altri strumenti.

12. Prolunghe

Ispezionare la prolunga prima dell'uso e sostituirla se è danneggiata. Quando l'utensile viene impiegato all'esterno, usare unicamente le prolunghie per uso esterno.

13. Adoperare l'utensile adatto alla situazione

L'utilizzo previsto è quello indicato nel presente manuale. Non forzare utensili e accessori di potenza limitata impiegandoli per lavori destinati ad utensili di maggiore potenza. Non forzare l'utensile.

Attenzione! L'uso di accessori o attrezzature diversi o l'impiego del presente utensile per scopi diversi da quelli indicati nel presente manuale d'uso comportano il rischio di infortuni.

14. Controllare che non vi siano parti danneggiate

Prima dell'uso, ispezionare accuratamente l'utensile e il cavo elettrico per rilevare eventuali danni.

Controllate se ci sono parti non allineate o parti mobili con gioco, pezzi rotti, danni alle protezioni o agli interruttori e qualsiasi altra condizione che possa ripercuotere nel funzionamento dell'utensile.

Accertare che l'utensile funzioni come previsto e che venga impiegato per lo scopo per cui è stato progettato.

Non usate l'utensile se presenta elementi danneggiati o difettosi.

Non impiegare l'utensile se non è possibile accenderlo e spegnerlo mediante l'interruttore.

Eventuali componenti difettosi o danneggiati vanno sostituiti o riparati da un tecnico autorizzato. Non tentare mai di effettuare delle riparazioni.

15. Estrarre la spina dalla presa di alimentazione

Estrarre la spina dalla presa di alimentazione quando l'utensile non è in uso, o prima di cambiare pezzi, accessori o complementi o prima di eseguire lavori di manutenzione.

16. Evitate di avviare l'utensile quando non è necessario

Non portate l'utensile con il dito sull'interruttore. Prima di collegare l'utensile alla presa, verificare che sia spento.

17. Non forzate il cavo di collegamento elettrico

Non sostenere mai l'utensile mediante il cavo né tirare quest'ultimo per estrarne la spina dalla presa. Mantenete il cavo lontano da fonti di calore, olio e spigoli taglienti.

18. Conservazione dell'utensile dopo l'uso

Quando non vengono usati, gli utensili vanno conservati in un luogo asciutto e inaccessibile (sottochiave o in alto), fuori dalla portata dei bambini.

19. Mantenere l'utensile con cura

Mantenere gli utensili da taglio affilati e puliti in modo da ottenere una miglior e più sicura resa. Seguire le istruzioni di manutenzione e cambio di accessori. Mantenere le impugnature e gli interruttori asciutti, puliti e senza tracce di olio o grassi.

20. Riparazioni

Questo utensile è conforme ai relativi requisiti di sicurezza. Le riparazioni devono essere eseguite soltanto da personale qualificato e con pezzi di ricambio originali, per evitare di esporre gli utenti a considerevoli rischi.

SICUREZZA ELETTRICA

Il motore elettrico è stato predisposto per operare con un unico voltaggio. Assicuratevi che il voltaggio a disposizione corrisponda a quello indicato sulla targhetta.



L'utensile è fornito di doppio isolamento, in ottemperanza alla norma EN 50144, per la quale non è richiesta la messa a terra.

(CH)

Per la sostituzione del cavo di alimentazione, utilizzate sempre la spina di tipo prescritto. Tipo 11 per la classe II - doppio isolamento

Impiego di una prolunga

Utilizzate soltanto cavi di prolunga di tipo omologato e di dimensione idonee a garantire l'alimentazione elettrica dell'utensile (vedere le caratteristiche tecniche). La dimensione minima del conduttore è 1,5 mm². Prima dell'uso, controllare che la prolunga non presenti segni di danni, usura e invecchiamento. Una prolunga danneggiata o difettosa va sempre sostituita. Se si utilizza un avvolgitore, estrarre il cavo per l'intera lunghezza. Usare una prolunga non adatta alla corrente di ingresso dell'utensile, o una prolunga danneggiata o difettosa, può provocare rischi di incendio e di scosse elettriche.

L'INSIEME (fig. A)

Sull'utensile sono presenti tutte le seguenti funzioni, o alcune di esse.

1. Interruttore a velocità variabile (AST1, CD501, KR450RE, KR500(C)RE, KR510)
1. Interruttore acceso/spento (altri modelli)
2. Pulsante di blocco
3. Selettore a due velocità (KR502, KR532)
3. Interruttore avanti/indietro (altri modelli)
4. Selezione della modalità di perforazione
5. Impugnatura laterale
6. Mandrino senza chiave
7. Mandrino con chiave

MONTAGGIO

Prima di tentare una delle seguenti operazioni, accertare che l'utensile sia spento e che la spina sia disinserita dalla presa.

Installazione dell'impugnatura laterale (fig. B)

- ◆ Ruotare l'impugnatura (9) in senso antiorario finché non è possibile far scivolare la manopola laterale (5) sul lato anteriore dell'utensile, come mostrato.
- ◆ Girare la manopola laterale nella posizione desiderata.
- ◆ Serrare la manopola laterale ruotando l'impugnatura in senso orario.

Installazione di una punta da trapano o da cacciavite

Mandrino senza chiave (fig. C)

- ◆ Aprire il mandrino girando con una mano la parte anteriore (10) mentre con l'altra mano si sostiene la parte posteriore (11).
- ◆ Inserire lo stelo della punta (12) nel mandrino e serrarlo saldamente.

Mandrino con chiave (fig. D)

- ◆ Aprire il mandrino ruotando il manicotto (13).
- ◆ Inserire lo stelo della punta (12) nel mandrino.
- ◆ Inserire la chiave del mandrino (14) in ogni foro (15) nel lato del mandrino e girare fino a fissare.

Rimozione e reinserimento del mandrino (fig. E)

- ◆ Aprire il mandrino quanto più possibile.
- ◆ Estrarre la vite che fissa il mandrino, ruotandola in senso orario con un cacciavite.
- ◆ Bloccare una chiave Allen (16) nel mandrino e percuoterla con un martello, come mostrato.
- ◆ Asportare la chiave Allen.
- ◆ Rimuovere il mandrino, ruotandolo in senso antiorario.
- ◆ Per rimontare il mandrino, avvitare sull'alberino e bloccarlo con l'apposita vite di ritegno.

IMPIEGO



- ◆ Lasciate che l'utensile lavori al proprio ritmo. Non sovraccaricarlo.
- ◆ Prima di forare pareti, pavimenti, soffitti, verificare l'ubicazione di cavi elettrici e tubazioni.

Selezione del senso di rotazione (fig. A)

- ◆ Per trapanare e avvitare, spostare in avanti l'interruttore avanti/indietro (7).
- ◆ Per svitare o per estrarre una punta di trapano inceppata, spostare indietro l'interruttore avanti/indietro.



Non invertire mai la direzione di rotazione mentre l'utensile è in funzione.

Selezione della modalità di perforazione (fig. A)

- ◆ Per perforare la muratura, impostare il selettore di modalità del trapano (4) sulla posizione **T**.
- ◆ Per perforare altri materiali e per avvitare, impostare il selettore di modalità del trapano (4) sulla posizione **1**.

Avviamento e spegnimento (fig. A)

Interruttore per il cambio di velocità

- ◆ Per accendere l'utensile, premere l'interruttore variatore di velocità (1). La velocità dell'utensile dipende dalla pressione esercitata sull'interruttore. Come regola generale, utilizzare velocità basse per punte di trapano di diametro grande e velocità inferiori per punte più piccole.
- ◆ Per un funzionamento costante, spingere il pulsante di blocco (2) e rilasciare l'interruttore per il cambio di velocità. Questa opzione è disponibile solo a velocità massima.
- ◆ Per spegnere l'utensile, rilasciare l'interruttore per il cambio di velocità. Per spegnere l'utensile in modalità di funzionamento continuo, premere ancora una volta e poi lasciare andare l'interruttore per il cambio di velocità.

Interruttore acceso/spento

- ◆ Per accendere l'utensile, premere l'interruttore acceso/spento (1). Se l'utensile è dotato di un selettore a due velocità (3), regolarlo sulla velocità necessaria. Come regola generale, utilizzare velocità basse per punte di trapano di diametro grande e velocità inferiori per punte più piccole.
- ◆ Per un funzionamento costante, spingere il pulsante di blocco (2) e rilasciare l'interruttore acceso/spento.
- ◆ Per spegnere l'utensile, rilasciare l'interruttore on/off. Per spegnere l'utensile in modalità di funzionamento continuo, premere ancora una volta e poi lasciare andare l'interruttore acceso/spento.

Accessori

Le prestazioni dell'utensile dipendono dall'accessorio usato. Gli accessori Black & Decker e Piranha, che sono prodotti di altissima qualità, sono stati progettati per ottimizzare la resa dell'utensile. Quando si scelgono questi accessori l'utensile offre prestazioni eccellenti.

MANUTENZIONE

Il vostro utensile Black & Decker è stato progettato per funzionare durante un lungo periodo di tempo con un minimo di manutenzione. Il funzionamento continuo e soddisfacente dipende dall'adeguata cura dell'utensile e da pulizie sistematiche.



Prima di eseguire qualsiasi manutenzione, spegnete l'utensile e disinseritelo dalla spina.

PROTEZIONE DELL'AMBIENTE



Black & Decker offre ai suoi clienti la possibilità di riciclare i prodotti Black & Decker che hanno esaurito la loro vita di servizio. Il servizio viene offerto gratuitamente. Per utilizzarlo, è sufficiente restituire il prodotto a qualsiasi tecnico autorizzato, incaricato della raccolta per conto dell'azienda.

Per individuare il tecnico autorizzato più vicino, rivolgersi alla sede Black & Decker locale, presso il recapito indicato nel presente manuale. Altrimenti un elenco completo di tutti i tecnici autorizzati Black & Decker e i dettagli completi sui contatti e i servizi post-vendita sono disponibili su Internet presso: www.2helpU.com.

GARANZIA

Certa della qualità dei suoi prodotti, Black & Decker offre una garanzia eccezionale. Il presente certificato di garanzia è complementare ai diritti statutari e non li pregiudica in alcun modo. La garanzia è valida entro il territorio degli Stati membri dell'Unione Europea e dell'EFTA (European Free Trade Area).

Dati tecnici

		CD200 KR400	KR420	KR450	KR450RE	KR510
Tensione	V_{AC}	230	230	230	230	230
Potenza assorbita	W	400	420	450	450	500
Velocità senza carico	min^{-1}	2.800	2.800	2.800	0-2,800	0-2,800

		CD501 AST1	KR500RE KR500CRE	KR500	KR502 KR532	KR531
Tensione	V_{AC}	230	230	230	230	230
Potenza assorbita	W	500	500	500	500	500
Velocità senza carico	min^{-1}	0-2.800	0-2.800	2.800	2,400/2,800	2,800

Capacità di perforazione max.

		AST1 CD501CRE KR500(C)RE	KR510XC KR531 KR532	altri modelli
Acciaio/calcestruzzo	mm	13	13	10
Legno	mm	20	20	20

Se un prodotto Black & Decker risulta difettoso per qualità del materiale, della costruzione o per mancata conformità entro 24 mesi dalla data di acquisto, Black & Decker garantisce la sostituzione delle parti difettose, provvede alla riparazione dei prodotti se ragionevolmente usurati oppure alla loro sostituzione, in modo da ridurre al minimo il disagio del cliente a meno che:

- ◆ Il prodotto non sia stato destinato ad usi commerciali, professionali o al noleggio;
- ◆ Il prodotto non sia stato usato in modo improprio o scorretto;
- ◆ Il prodotto non abbia subito danni causati da oggetti o sostanze estranee oppure incidenti;
- ◆ Il prodotto non abbia subito tentativi di riparazione non effettuati da tecnici autorizzati né dall'assistenza Black & Decker.

Per attivare la garanzia è necessario esibire la prova comprovante l'acquisto al venditore o al tecnico autorizzato. Per individuare il tecnico autorizzato più vicino, rivolgersi alla sede Black & Decker locale, presso il recapito indicato nel presente manuale. Altrimenti un elenco completo di tutti i tecnici autorizzati Black & Decker e i dettagli completi sui contatti e i servizi post-vendita sono disponibili su Internet presso: www.2helpU.com.

ALTRI UTENSILI PER L'HOBBISTICA

La Black & Decker ha una gamma completa di utensili che rendono semplice l'hobbistica. Se desiderate ulteriori informazioni sui seguenti prodotti, Vi preghiamo di contattare il nostro Centro di Servizio ed Informazione (vedere la pagina con l'indirizzi verso la fine di questo libretto) o il vostro rivenditore Black & Decker.

Trapani
 Svitavvita a batteria
 Trapani/avvitatori a batteria
 Levigatrici
 Seghetti alternativi
 Seghe circolari
 Troncatrici
 Smerigliatrici
 Pialle
 Fresatrici
 Utensili multifunzione elettrici ed a batteria
 Pistole termiche
 Banchi di lavoro

Abbiamo inoltre una vasta gamma di accessori per questi utensili.

Non tutti i prodotti sono in vendita in tutti i paesi.

BOORMACHINE

AST1/CD200/CD501/KR400/KR420/KR450/ KR500/KR502/KR510/KR531/KR532

GEFELICITEERD!

U heeft gekozen voor een machine van Black & Decker. Ons doel is om kwaliteitsproducten te leveren tegen een betaalbare prijs. Wij vertrouwen erop dat u aan het gebruik van deze machine jarenlang plezier zult beleven.



Kevin Hewitt
Director of Consumer Engineering
Spennymoor, County Durham DL16 6JG,
United Kingdom

EG-VERKLARING VAN OVEREENSTEMMING

CE AST1/CD200/CD501/KR400/KR420/
KR450/KR500/KR502/KR510/KR531/KR532
Black & Decker verklaart dat deze
elektrische machines in overeenstemming
zijn met:
98/37/EEG, 89/336/EEG, 73/23/EEG,
EN 50144, EN 55014, EN 61000


GEBRUIK VOLGENS BESTEMMING

Uw Black & Decker boormachine is ontworpen voor het boren in hout, metaal, kunststof en steen alsmede voor schroefwerkzaamheden. Deze machine is uitsluitend bestemd voor consumentengebruik.

VEILIGHEIDSVOORSCHRIFTEN

Niveau van de geluidsdruk, gemeten volgens EN 50144:

L_{pA} (geluidsdruk)	dB(A)	91	91
L_{WA} (geluidsvermogen)	dB(A)	104	104

 Neem de vereiste maatregelen voor gehoorbescherming wanneer de geluidsdruk het niveau van 85 dB(A) overschrijdt.

Gewogen kwadratische gemiddelde waarde van de versnelling overeenkomstig EN 50144:

5,2 m/s²

Pictogrammen

In deze handleiding worden de volgende pictogrammen gebruikt:



Duidt op mogelijk lichamelijk letsel, levensgevaar of kans op beschadiging van de machine indien de instructies in deze handleiding worden genegeerd.



Geeft elektrische spanning aan.



Lees de handleiding voordat u met de machine gaat werken.

Ken uw machine



- ◆ **Waarschuwing!** Bij het gebruik van elektrische machines dienen ter bescherming tegen brandgevaar, elektrische schokken, letsel en materiële schade altijd gepaste veiligheidsmaatregelen in acht te worden genomen, waaronder de volgende veiligheidsvoorschriften.
- ◆ Lees de gebruiksaanwijzing aandachtig door voordat u met de machine gaat werken.
- ◆ Zorg ervoor dat u voor gebruik weet hoe u de machine in geval van nood uitschakelt.
- ◆ Bewaar deze instructies zorgvuldig!

Algemeen

1. **Zorg voor een opgeruimde werkomgeving**
Een rommelige werkomgeving leidt tot ongelukken.
2. **Houd rekening met omgevingsinvloeden**
Stel de machine niet bloot aan regen. Gebruik de machine niet in een vochtige of natte omgeving. Zorg dat de werkomgeving goed is verlicht. Gebruik de machine niet op plaatsen waar brand- of explosiegevaar bestaat, b.v. in de buurt van brandbare vloeistoffen of gassen.
3. **Houd kinderen uit de buurt**
Houd kinderen, bezoekers en dieren buiten het werkgebied en laat ze de machine of de elektriciteitskabel niet aanraken.
4. **Draag geschikte werkkleding**
Draag geen wijde kleding of loshangende sieraden. Deze kunnen door de bewegende delen worden gegrepen. Draag bij het werken buitenshuis bij voorkeur rubber werkhandschoenen en schoenen met profielzolen. Houd lang haar bijeen.
5. **Persoonlijke bescherming**
Draag altijd een veiligheidsbril. Draag een gezichts- of stofmasker bij werkzaamheden waarbij stofdeeltjes vrijkomen. Draag altijd gehoorbescherming als het geluidsniveau onaangenaam hoog is.
6. **Bescherming tegen elektrische schokken**
Voorkom aanraking van geaarde oppervlakken (bijv. buizen, radiatoren, fornuizen en koelkasten). Elektrische veiligheid kan verder worden verbeterd met behulp van een hooggevoelige (30 mA / 30 mS) reststroomschakelaar (RCD).
7. **Zorg voor een veilige houding**
Zorg altijd voor een juiste, stabiele houding.
8. **Blijf voortdurend opletten**
Houd uw aandacht bij uw werk. Ga met verstand te werk. Gebruik de machine niet als u niet geconcentreerd bent.
9. **Klem het werkstuk goed vast**
Gebruik klemmen of een bankschroef om het werkstuk te fixeren. Dit is veiliger, bovendien kan de machine dan met beide handen worden bediend.
10. **Sluit de uitrusting van de stofafvoer aan**
Indien hulpmiddelen zijn meegeleverd voor de aansluiting van stofafvoer en voorzieningen voor stofopvang, zorg dan dat deze zijn aangesloten en naar behoren worden gebruikt.
11. **Verwijder sleutels en hulpgereedschappen**
Controleer vóór het inschakelen altijd of sleutels en andere hulpgereedschappen zijn verwijderd.
12. **Verlengsnoeren**
Inspecteer voor gebruik het verlengsnoer. Vervang het snoer indien het beschadigd is. Maak bij gebruik buitenshuis uitsluitend gebruik van verlengsnoeren die geschikt zijn voor gebruik buitenshuis.
13. **Gebruik de juiste machine**
Het gebruik volgens bestemming is beschreven in deze handleiding. Gebruik geen te lichte machine of hulpstukken voor te zwaar werk. De machine werkt beter en veiliger indien u deze gebruikt voor het beoogde doel. Overbelast de machine niet.
Waarschuwing! Gebruik ter voorkoming van lichamelijk letsel uitsluitend de in deze gebruiksaanwijzing aanbevolen accessoires en hulpstukken. Gebruik de machine uitsluitend volgens bestemming.
14. **Controleer de machine op beschadigingen**
Controleer de machine voor gebruik op schade.

Controleer of alle bewegende delen correct gemonteerd zijn, of er geen onderdelen gebroken zijn, of er geen beschermkappen en schakelaars beschadigd zijn en of er andere gebreken zijn die invloed op de werking van de machine zouden kunnen hebben. Vergewis u ervan dat de machine correct werkt. Gebruik de machine niet als enig onderdeel defect is. Gebruik de machine niet als de aan/uit-schakelaar niet werkt. Defecte onderdelen dienen door een erkend servicecentrum te worden gerepareerd of vervangen. Probeer nooit om de machine zelf te repareren.

15. De stekker uit het stopcontact verwijderen

Verwijder de stekker uit het stopcontact als u de machine niet gebruikt, voordat u gereedschappen, accessoires of onderdelen van de machine verwisselt en voordat u onderhoud aan de machine uitvoert.

16. Voorkom onbedoeld inschakelen

Draag de machine niet met uw vingers aan de aan/uit-schakelaar. Wees ervan verzekerd dat de machine is uitgeschakeld voordat u de stekker in het stopcontact steekt.

17. Misbruik het snoer niet

Draag de machine nooit aan het snoer. Trek niet aan het snoer om de stekker uit het stopcontact te verwijderen. Houd het snoer uit de buurt van warmtebronnen, olie en scherpe randen.

18. Berg de machine veilig op

Indien niet in gebruik, dienen machines te worden opgeborgen in een droge, afsluitbare of hoge plaats, buiten bereik van kinderen.

19. Onderhoud de machine met zorg

Houd snijgereedschappen scherp en schoon om beter en veiliger te kunnen werken. Houdt u aan de instructies met betrekking tot het onderhoud en het vervangen van accessoires. Houd de handgrepen en schakelaars droog en vrij van olie en vet.

20. Reparaties

Deze machine voldoet aan de geldende veiligheidseisen. Reparaties mogen uitsluitend worden uitgevoerd door bevoegde vakmensen en met behulp van originele reserveonderdelen; anders kan er een aanzienlijk gevaar voor de gebruiker ontstaan.

ELEKTRISCHE VEILIGHEID

De elektromotor is ontwikkeld voor een bepaalde netspanning. Controleer altijd of uw netspanning overeenkomt met de waarde op het typeplaatje.



Deze machine is dubbel geïsoleerd overeenkomstig EN 50144. Een aarddraad is daarom niet vereist.

Gebruik van verlengsnoeren

Gebruik een goedgekeurd verlengsnoer dat geschikt is voor het vermogen van de machine (zie technische gegevens). De aders moeten minimaal een doorsnede hebben van 1,5 mm². Controleer het verlengsnoer voor gebruik op beschadiging, veroudering en slijtage. Vervang een beschadigd of defect verlengsnoer. Wanneer het verlengsnoer op een haspel zit, rol het snoer dan helemaal af. Als u een verlengsnoer gebruikt dat niet geschikt is voor het vermogen van de machine, of dat beschadigd of kapot is, dan riskeert u brand of een elektrische schok.

OVERZICHT (fig. A)

Al naar gelang de uitvoering beschikt deze machine over de volgende onderdelen.

1. Schakelaar voor elektronisch regelbaar toerental (AST1, CD501, KR450RE, KR500(C)RE, KR510)
1. Aan/uit-schakelaar (andere modellen)
2. Vergrendelingsknop
3. Snelheidskeuzeschakelaar (KR502, KR532)
3. Links/rechts-omschakelaar (andere modellen)
4. Boorfunctie-schakelaar
5. Zijhandgreep
6. Snelspanboorhouder
7. Boorhouder met sleutel

MONTAGE



Zorg vóór aanvang van de volgende handelingen dat de machine is uitgeschakeld en de netstekker van het lichtnet is losgekoppeld.

Aanbrengen van de zijhandgreep (fig. B)

- ◆ Draai de handgreep (9) linksom totdat u de zijhandgreep (5) zoals afgebeeld op de voorkant van de machine kunt plaatsen.
- ◆ Draai de zijhandgreep in de gewenste stand.
- ◆ Maak de zijhandgreep vast door de handgreep rechtsom te draaien.

Aanbrengen van een boor of schroefbit

Snelspanboorhouder (fig. C)

- ◆ Open de boorhouder door met één hand aan het voorste deel (10) te draaien en ondertussen met de andere hand het achterste deel (11) vast te houden.
- ◆ Steek de schacht van de boor of bit (12) in de boorhouder en draai de boorhouder stevig vast.

Boorhouder met sleutel (fig. D)

- ◆ Open de boorhouder door de bus (13) te draaien.
- ◆ Steek de schacht van de boor of bit (12) in de boorhouder.
- ◆ Steek de boorsleutel (14) in ieder gat (15) in de zijkant van de boorhouder en draai totdat de boorhouder vast zit.

Verwijderen en opnieuw aanbrengen van de boorhouder (fig. E)

- ◆ Open de boorhouder zo ver als mogelijk.
- ◆ Verwijder de borgschroef van de boorhouder door hem rechtsom te draaien met behulp van een schroevendraaier.
- ◆ Draai een inbussleutel (16) in de boorhouder en sla er met een hamer op zoals afgebeeld.
- ◆ Verwijder de inbussleutel.
- ◆ Verwijder de boorhouder door hem linksom te draaien.
- ◆ Om de boorhouder weer aan te brengen, schroeft u hem op de spindel en borgt u hem met behulp van een borgschroef.

■ GEBRUIK



- ◆ Laat de machine op eigen tempo werken. Niet overbelasten.

- ◆ Controleer voordat u gaat boren in muren, vloeren of plafonds de locatie van eventueel aanwezige gas-, water- en elektriciteitsleidingen.

Selecteren van de draairichting (fig. A)

- ◆ Voor boren en schroeven indraaien, schuift u de links/rechts-omschakelaar (7) naar voren.
- ◆ Voor schroeven losdraaien of voor het verwijderen van een vastgelopen boorbit, schuift u de links/rechts-omschakelaar naar achteren.



Verander nooit de draairichting terwijl de motor is ingeschakeld.

Selecteren van de boorfunctie (fig. A)

- ◆ Voor boren in metselwerk zet u de boorfunctie-schakelaar (4) in de **T** positie.
- ◆ Voor boren in andere materialen en voor schroeven, zet u de boorfunctie-schakelaar (4) in de **1** positie.

Aan- en uitschakelen (fig. A)

Schakelaar voor elektronisch regelbaar toerental

- ◆ Om de machine in te schakelen, drukt u de variabele-snelheidsschakelaar (1) in. De machinesnelheid hangt af van hoever u de schakelaar indrukt. In het algemeen geldt: gebruik lage snelheden voor boren met een grote diameter, en hoge snelheden voor boren met een kleine diameter.
- ◆ Voor continu-bediening: houd de vergrendelingsknop (2) ingedrukt en laat de variabele-snelheidsschakelaar los. Deze optie is alleen beschikbaar bij volle snelheid.
- ◆ Om de machine uit te schakelen, laat u de variabele-snelheidsschakelaar los. Om de machine uit te schakelen in continu-bedrijf, drukt u nogmaals op de variabele-snelheidsschakelaar en laat u hem los.

Aan/uit-schakelaar

- ◆ Om de machine in te schakelen, drukt u de aan/uit-schakelaar (1) in. Als de machine is uitgerust met een snelheidskeuzeschakelaar (3), dan stelt u deze in op de gewenste snelheid.

In het algemeen geldt: gebruik lage snelheden voor boren met een grote diameter, en hoge snelheden voor boren met een kleine diameter.

- Voor continu-bediening: houd de vergrendelingsknop (2) ingedrukt en laat de aan/uit-schakelaar los.
- Om de machine uit te schakelen, schakelt u de aan/uit-schakelaar (1) uit. Om de machine uit te schakelen in continu-bedrijf, drukt u nogmaals op de aan/uit-schakelaar en laat u hem los.

Accessoires

De prestaties van uw machine hangen af van welke accessoire u gebruikt. Black & Decker en Piranha accessoires zijn ontwikkeld om te voldoen aan hoge kwaliteitseisen en ontworpen om de prestaties van uw machine te verbeteren. Met behulp van deze accessoires haalt u het beste uit uw machine.

ONDERHOUD

Uw Black & Decker machine is ontworpen om gedurende een langere periode te functioneren met een minimum aan onderhoud. Voortdurend tevreden gebruik is afhankelijk van correct onderhoud en regelmatig schoonmaken.



Zorg vóór aanvang van onderhoudswerkzaamheden dat de machine is uitgeschakeld en de netstekker van het lichtnet is losgekoppeld.

MILIEU



Black & Decker biedt de mogelijkheid tot recyclen van afgedankte Black & Decker producten. Deze service is kosteloos. Om gebruik van deze service te maken, dient u het product aan een van onze servicecentra te sturen, die voor ons de inzameling verzorgen.

U kunt het adres van het dichtstbijzijnde servicecentrum opvragen via de adressen op de achterzijde van deze handleiding. U kunt ook een lijst van onze servicecentra en meer informatie m.b.t. onze klantenservice vinden op het volgende Internet-adres: www.2helpU.com.

GARANTIE

Black & Decker heeft vertrouwen in zijn producten en biedt een uitstekende garantie. Deze garantiebepalingen vormen een aanvulling op uw wettelijke rechten en beperken deze niet. De garantie geldt in de lidstaten van de Europese Unie en de Europese Vrijhandelsassociatie.

Technische gegevens

		CD200 KR400	KR420	KR450	KR450RE	KR510
Spanning	V _{AC}	230	230	230	230	230
Opgenomen vermogen	W	400	420	450	450	500
Onbelast toerental	min ⁻¹	2.800	2.800	2.800	0-2,800	0-2,800

		CD501 AST1	KR500RE KR500CRE	KR500	KR502 KR532	KR531
Spanning	V _{AC}	230	230	230	230	230
Opgenomen vermogen	W	500	500	500	500	500
Onbelast toerental	min ⁻¹	0-2.800	0-2.800	2.800	2,400/2,800	2,800

Max. boorcapaciteit

		AST1 CD501CRE KR500(C)RE	KR510XC KR531 KR532	andere modellen
Staal/beton	mm	13	13	10
Hout	mm	20	20	20

Mocht uw Black & Decker product binnen 24 maanden na datum van aankoop defect raken tengevolge van materiaal- of constructiefouten, dan garanderen wij de kosteloze vervanging van defecte onderdelen, de reparatie van het product of de vervanging van het product, tenzij:

- ◆ Het product is gebruikt voor handelsdoeleinden, professionele toepassingen of verhuurdoeleinden;
- ◆ Het product onoordeelkundig is gebruikt;
- ◆ Het product is beschadigd door invloeden van buitenaf of door een ongeval;
- ◆ Reparaties zijn uitgevoerd door anderen dan onze servicecentra of Black & Decker personeel.

We hebben ook een uitgebreid assortiment aan accessoires voor de bovengenoemde machines.

Niet ieder product is verkrijgbaar in alle landen.

Om een beroep op de garantie te doen, dient u een aankoopbewijs te overhandigen aan de verkoper of een van onze servicecentra. U kunt het adres van het dichtstbijzijnde servicecentrum opvragen via de adressen op de achterzijde van deze handleiding. U kunt ook een lijst van onze servicecentra en meer informatie m.b.t. onze klantenservice vinden op het volgende Internet-adres: www.2helpU.com.

ANDERE MACHINES VOOR DOE-HET-ZELVERS

Black & Decker heeft een compleet assortiment aan machines die het de doe-het-zelver gemakkelijk maken. Als u meer informatie over de volgende producten wenst, neemt u dan contact op met ons Service- en Informatiecentrum (zie de adrespagina aan het eind van deze handleiding) of uw plaatselijke Black & Decker detailhandelaar.

Boormachines
Accu-schroevendraaiers
Accu-schroef/boormachines
Schuurmachines
Decoupeerzagen
Cirkelzagen
Verstekzaagmachines
Haakse slijpers
Schaafmachines
Bovenfrezen
Multifunctionele machines met of zonder snoer
Verfstrippers
Workmates

TALADRADORA

AST1/CD200/CD501/KR400/KR420/KR450/ KR500/KR502/KR510/KR531/KR532

¡ENHORABUENA!

Ha escogido una herramienta Black & Decker. Nuestro objetivo es ofrecerle herramientas de calidad a un precio asequible y estamos seguros que podrá disfrutar de esta herramienta durante muchos años.



Kevin Hewitt

Director de Ingeniería

Spennymoor, County Durham DL16 6JG,
United Kingdom

DECLARACIÓN CE DE CONFORMIDAD

CE AST1/CD200/CD501/KR400/KR420/
KR450/KR500/KR502/KR510/KR531/KR532
Black & Decker certifica que estas
herramientas eléctricas han sido
construidas de acuerdo a las normas
siguientes: 98/37/CEE, 89/336/CEE,
73/23/CEE, EN 50144, EN 55014, EN 61000

FINALIDAD

La taladradora Black & Decker está diseñada para taladrar madera, metales, plásticos y mampostería, así como para tareas de atornillado. Esta herramienta está pensada únicamente para uso doméstico.

INSTRUCCIONES DE SEGURIDAD

Pictogramas

En el presente manual figuran los pictogramas siguientes:



Indica peligro de lesiones, de accidentes mortales o de averías en la herramienta en caso de no respeto de las instrucciones en este manual.



Indica tensión eléctrica.



Lea el manual antes de utilizar la herramienta.

El nivel de la presión acústica, medida de acuerdo con EN 50144:

L_{pA}	(presión acústica)	dB(A)	91
L_{WA}	(potencia acústica)	dB(A)	104



Tome medidas adecuadas para proteger sus oídos cuando la presión acústica exceda el valor de 85 dB(A).

Valor cuadrático medio ponderado en frecuencia de la aceleración según EN 50144:

5,2 m/s²

Conozca su herramienta



- ◆ **¡Atencion!** Cuando use herramientas eléctricas, debe seguir siempre las precauciones de seguridad básicas, incluidas las siguientes, a fin de reducir el riesgo de incendios, electrocución, lesiones personales y daños materiales.
- ◆ Lea completamente este manual antes de utilizar la herramienta.
- ◆ Antes de poner en marcha la herramienta, compruebe que sabe cómo desconectarla en caso de emergencia.
- ◆ Mantenga a mano este manual para consultas posteriores.

Generalidades

1. **Mantenga limpia el área de trabajo**
Un área o un banco de trabajo en desorden aumentan el riesgo de accidentes.
2. **Tenga en cuenta el entorno del área de trabajo**
No exponga herramientas a la humedad. Procure que el área de trabajo esté bien iluminada. No utilice la herramienta donde exista riesgo de incendio o explosión, p. ej. en la proximidad de líquidos o gases inflamables.
3. **¡Mantenga alejados a los niños!**
No permita que niños, otras personas o animales se acerquen al área de trabajo ni toquen la herramienta o el cable de corriente.
4. **Vista ropa de trabajo apropiada**
No lleve vestidos anchos ni joyas. Estos podrían ser atrapados por piezas en movimiento. Para trabajos en el exterior, se recomienda llevar guantes de goma y calzado de suela antideslizante. Si tiene el pelo largo, téngalo recogido y cubierto.
5. **Protección personal**
Lleve gafas de protección. Utilice una mascarilla si el trabajo ejecutado produce polvo u otras partículas volantes. Lleve protectores para los oídos cuando el ruido pueda resultar molesto.
6. **Protéjase contra la electrocución**
Evite que su cuerpo haga contacto con objetos conectados a tierra (p. ej. tuberías, radiadores, frigoríficos y electrodomésticos en general).

Se puede incrementar la seguridad eléctrica utilizando disyuntores de alta sensibilidad (30 mA / 30 mS) para detectar corrientes de fuga.
7. **No alargue demasiado su radio de acción**
Mantenga un apoyo firme sobre el suelo y conserve el equilibrio en todo momento.
8. **Esté siempre alerta**
Mire lo que está haciendo. Use el sentido común. No maneje la herramienta cuando está cansado.
9. **Sujete bien la pieza de trabajo**
Utilice abrazaderas o un torno para sujetar la pieza de trabajo. Es más seguro que sujetarla con la mano y le permite utilizar ambas manos para manejar la herramienta.
10. **Conecte los accesorios para la extracción de polvo.**
Si se suministran adaptadores para la conexión de accesorios extractores y para el almacenamiento del polvo, asegúrese de que se conectan y utilizan adecuadamente.
11. **Retire las llaves de maniobra**
Antes de poner la herramienta en marcha, asegúrese de que las llaves y utensilios de reglaje hayan sido retirados.
12. **Cables alargadores**
Revise el cable alargador antes de utilizarlo por si presenta desperfectos. Al utilizar las herramientas en exteriores, utilice exclusivamente aquellos cables prolongadores diseñados para estas condiciones.
13. **Utilice la herramienta adecuada**
En este manual se explica para qué uso está destinada la herramienta. No utilice herramientas o dispositivos acoplables de potencia demasiado débil para ejecutar trabajos pesados. La herramienta funcionará mejor y con mayor seguridad al ser utilizada de acuerdo con sus características técnicas. No fuerce la herramienta.
¡Atencion! El uso de otros accesorios, adaptadores, o la propia utilización de la herramienta en cualquier forma diferente de las recomendadas en este manual de instrucciones puede constituir un riesgo de lesiones a las personas.
14. **Compruebe que no haya piezas averiadas**
Antes de usarla, compruebe cuidadosamente que la herramienta y el cable de corriente no presenten desperfectos.

Compruebe la posible existencia de piezas móviles mal alineadas o atascadas, la rotura de piezas, el posible daño de protectores e interruptores y cualquier otros aspecto que pueda afectar al funcionamiento de la herramienta. Asegúrese de que la herramienta puede funcionar adecuadamente y cumplir con el cometido para el que ha sido diseñada. No use la herramienta si hay alguna pieza defectuosa o averiada. No utilice la herramienta si no es posible apagar y encender el interruptor. Encargue al servicio técnico autorizado que repare o sustituya las piezas defectuosas o averiadas. Jamás intente repararla usted mismo.

15. Desenchufe la herramienta

Desenchufe la herramienta cuando no esté usando la herramienta, antes de sustituir piezas, accesorios o acoplamientos, y antes de efectuar revisiones.

16. Evite un arranque involuntario

Procure no tocar el conmutador de encendido/apagado mientras transporta la herramienta. Asegúrese de que la herramienta esté apagada cuando la enchufe.

17. Cuide el cable de alimentación

No arrastre la herramienta tirando del cable, ni tire del cable para desenchufarlo. Proteja el cable del calor, del aceite y de las aristas vivas.

18. Guarde las herramientas que no utiliza

Cuando no las utilice, las herramientas deben guardarse en un lugar seco y cerrado o elevado, fuera del alcance de los niños.

19. Mantenga las herramientas asiduamente

Mantenga sus herramientas afiladas y limpias para trabajar mejor y más seguro. Siga las instrucciones para el mantenimiento y la sustitución de accesorios. Mantenga los mandos y conmutadores secos, limpios y libres de aceite y grasa.

20. Reparaciones

Esta herramienta cumple las normas de seguridad aplicables. Las reparaciones deben llevarse a cabo por personal cualificado, usando piezas de recambio originales; en caso contrario, podría ocasionarse un considerable riesgo para el usuario.

SEGURIDAD ELÉCTRICA

El motor eléctrico ha sido diseñado para un solo voltaje. Compruebe siempre que el voltaje de la red corresponde al valor indicado en la placa de características.



La herramienta tiene doble aislamiento, conforme a la norma EN 50144; por consiguiente, no se requiere conexión a tierra.

Utilización de un cable de prolongación

Use un cable de prolongación aprobado, adecuado para la potencia de esta herramienta (véanse las características técnicas). La sección mínima de conductor es de 1,5 mm². Antes de utilizar la herramienta, revise el cable de alimentación de corriente para ver si presenta indicios de daños, envejecimiento o desgaste. Reemplace el cable alargador si estuviera dañado o defectuoso. Si utiliza un carrete de cable, desenrolle siempre el cable completamente. El empleo de cable de prolongación no adecuado para la entrada de corriente de la herramienta, o cable dañado o defectuoso, puede dar lugar a posibles incendios o descargas eléctricas.

VISTA GENERAL (fig. A)

Esta herramienta incluye alguna o todas las características siguientes.

1. Conmutador de velocidad variable (AST1, CD501, KR450RE, KR500(C)RE, KR510)
1. Conmutador ON/OFF (encendido/apagado) (otros modelos)
2. Botón de bloqueo
3. Selector de dos velocidades (KR502, KR532)
3. Interruptor adelante/atrás (otros modelos)
4. Selector de modo de perforación
5. Mango lateral
6. Portabrocas sin llave
7. Portabrocas con llave

MONTAJE



Antes de intentar realizar cualquiera de las operaciones siguientes, asegúrese de que la herramienta está desconectada y desenchufada.

Acoplar el mango lateral (fig. B)

- ◆ Gire el mango (9) en sentido contrario a las agujas del reloj hasta que pueda deslizar el mango lateral (5) hacia la parte delantera de la herramienta como se ilustra.
- ◆ Gire el mango lateral a la posición deseada.
- ◆ Apriete el mango lateral, girando el mango en el sentido de las agujas del reloj.

Acoplamiento de la broca o la punta destornilladora

Portabrocas sin llave (fig. C)

- ◆ Abra el portabrocas girando la pieza delantera (10) con una mano mientras sujeta la pieza posterior (11) con la otra.
- ◆ Inserte el eje de la broca (12) en el portabrocas y apriete firmemente.

Portabrocas con llave (fig. D)

- ◆ Abra el portabrocas girando el manguito (13).
- ◆ Inserte el eje de la broca (12) en el portabrocas.
- ◆ Inserte la llave del portabrocas (14) en cada orificio (15) del lateral del portabrocas y gírela al máximo.

Extracción y nuevo acoplamiento del portabrocas (fig. E)

- ◆ Abra el portabrocas al máximo posible.
- ◆ Quite el tornillo de sujeción del portabrocas girándolo en el sentido de las agujas del reloj con un destornillador.
- ◆ Apriete la llave Allen (16) en el portabrocas, golpeando con un martillo como se ilustra.
- ◆ Quite la llave Allen.
- ◆ Saque el portabrocas girándolo en sentido contrario a las agujas del reloj.
- ◆ Para volver a colocarlo, atorníllelo al eje y asegúrelo con el tornillo de sujeción del portabrocas.

USO



- ◆ Deje que la herramienta funcione a su ritmo. No la sobrecargue.
- ◆ Antes de taladrar paredes, suelos o techos, compruebe la ubicación de cableados y tuberías.

Selección de la dirección de rotación (fig. A)

- ◆ Para taladrar y para apretar tornillos, deslice el interruptor adelante/atrás (7) hacia delante.
- ◆ Para aflojar tornillos o quitar una broca atascada, deslice el interruptor adelante/atrás (7) hacia atrás.



No cambie nunca la dirección de rotación mientras el motor esté en marcha.

Selección del modo de perforación (fig. A)

- ◆ Para taladrar mampostería, fije el selector del modo de perforación (4) en la posición **T**.
- ◆ Para taladrar otros materiales y para atornillar, fije el selector del modo de perforación (4) en la posición **1**.

Encendido y apagado (fig. A)

Conmutador de velocidad variable

- ◆ Para poner en marcha la herramienta, presione el conmutador de velocidad variable (1). La velocidad de la herramienta dependerá de hasta dónde presione el conmutador. Como norma general, use velocidades bajas para brocas de diámetro grande y velocidades altas para brocas de diámetro más pequeño.
- ◆ Para un funcionamiento continuo, pulse el botón de bloqueo (2) y suelte el interruptor de velocidad variable. Esta opción sólo está disponible a velocidad máxima.
- ◆ Para desconectar la herramienta, suelte el conmutador de velocidad variable. Para desconectar la herramienta durante el funcionamiento continuo, pulse el interruptor de velocidad variable una vez más y suéltelo.

Interruptor on/off (encendido/apagado)

- ◆ Para poner en marcha la herramienta, pulse el interruptor on/off (encendido/apagado) (1). Si la herramienta lleva un selector de dos velocidades (3), fíjelo en el régimen de velocidad requerido. Como norma general, use velocidades bajas para brocas de diámetro grande y velocidades altas para brocas de diámetro más pequeño.

- ◆ Para un funcionamiento continuo, pulse el botón de bloqueo (2) y suelte el interruptor on/off (encendido/apagado).
- ◆ Para parar la herramienta, suelte el interruptor on/off (encendido/apagado). Para desconectar la herramienta durante el funcionamiento continuo, pulse el interruptor on/off (encendido/apagado).

Accesorios

El rendimiento de la herramienta dependerá del accesorio utilizado. Los accesorios de Black & Decker y Piranha están fabricados según las más altas normas de calidad para ampliar el rendimiento de la herramienta. Utilizando estos accesorios, logrará aprovechar al máximo la herramienta.

MANTENIMIENTO

Su herramienta Black & Decker está diseñada para funcionar durante un largo período de tiempo con un mantenimiento mínimo. El funcionamiento satisfactorio continuado depende de un cuidado apropiado y una limpieza periódica de la herramienta.



Antes de realizar cualquier tipo de mantenimiento, apague y desenchufe la herramienta.

PROTECCIÓN DEL MEDIO AMBIENTE



Black & Decker proporciona facilidades para el reciclado de los productos Black & Decker que hayan llegado al final de su vida útil. Este servicio se proporciona de forma gratuita. Para poderlo utilizar, le rogamos entregue el producto en cualquier servicio técnico autorizado quien se hará cargo del mismo en nuestro nombre.

Pueden consultar la dirección de su servicio técnico más cercano poniéndose en contacto con la oficina local de Black & Decker en la dirección que se indica en este manual. Como alternativa, se puede consultar en Internet, en la dirección siguiente, la lista de servicios técnico autorizados e información completa de nuestros servicios de postventa y contactos: www.2helpU.com.

GARANTÍA

Black & Decker confía plenamente en la calidad de sus productos y ofrece una garantía extraordinaria. Esta declaración de garantía es una añadido, y en ningún caso un perjuicio para sus derechos estatutarios. La garantía es válida dentro de los territorios de los Estados Miembros de la Unión Europea y de los de la Zona Europea de Libre Comercio.

Características técnicas

		CD200 KR400	KR420	KR450	KR450RE	KR510
Voltaje	V _{AC}	230	230	230	230	230
Potencia absorbida	W	400	420	450	450	500
Velocidad sin carga	min ⁻¹	2.800	2.800	2.800	0-2,800	0-2,800

		CD501 AST1	KR500RE KR500CRE	KR500	KR502 KR532	KR531
Voltaje	V _{AC}	230	230	230	230	230
Potencia absorbida	W	500	500	500	500	500
Velocidad sin carga	min ⁻¹	0-2.800	0-2.800	2.800	2,400/2,800	2,800

Capacidad máxima de taladrado

		AST1 CD501CRE KR500(C)RE	KR510XC KR531 KR532	otros modelos
Acero/hormigón	mm	13	13	10
Madera	mm	20	20	20

Si un producto Black & Decker resultara defectuoso debido a materiales o mano de obra defectuosos o a la falta de conformidad, Black & Decker garantiza, dentro de los 24 meses de la fecha de compra, la sustitución de las piezas defectuosas, la reparación de los productos sujetos a un desgaste y rotura razonables o la sustitución de tales productos para garantizar al cliente el mínimo de inconvenientes, a menos que:

- ◆ El producto haya sido utilizado con propósitos comerciales, profesionales o de alquiler;
- ◆ El producto haya sido sometido a un uso inadecuado o negligente;
- ◆ El producto haya sufrido daños causados por objetos o sustancias extrañas o accidentes;
- ◆ Se hayan realizado reparaciones por parte de personas que no sean los servicios de reparación autorizados o personal de servicios de Black & Decker;

Para reclamar en garantía, será necesario que presente la prueba de compra al vendedor o al servicio técnico de reparaciones autorizado. Pueden consultar la dirección de su servicio técnico más cercano poniéndose en contacto con la oficina local de Black & Decker en la dirección que se indica en este manual. Como alternativa, se puede consultar en Internet, en la dirección siguiente, la lista de servicios técnico autorizados e información completa de nuestros servicios de postventa y contactos: www.2helpU.com.

OTRAS HERRAMIENTAS DE BRICOLAJE

Black & Decker cuenta con una gama completa de herramientas que le facilitarán las tareas de bricolaje. Si desea más información sobre los siguientes productos, póngase en contacto con nuestro Centro de Servicio e Información (consulte la página de direcciones al final de este manual) o diríjase a su concesionario local de Black & Decker.

Taladros percutores
Taladros/atornilladores sin cable
Sierras de vaivén
Sierras circulares
Lijadoras
Ingletadoras
Esmeriladoras
Cepillos
Fresadoras
Pistolas decapadoras
Grapadoras
Herramientas multiusos
Bancos de trabajo

También disponemos de una amplia gama de accesorios y kits de accesorios para estas herramientas.

Todos los productos no se encuentran disponibles en todos los países.

BERBEQUIM AST1/CD200/CD501/KR400/KR420/ KR450/KR500/KR502/KR510/KR531/KR532

PARABÉNS!


Você escolheu uma ferramenta Black & Decker. O nosso objectivo é fornecer ferramentas de qualidade a um preço acessível. Esperamos que a utilize por muitos anos.

DECLARAÇÃO DE CONFORMIDADE

CE AST1/CD200/CD501/KR400/KR420/
KR450/KR500/KR502/KR510/KR531/KR532
A Black & Decker declara que estas ferramentas foram concebidas em conformidade com:
98/37/CEE, 89/336/CEE, 73/23/CEE,
EN 50144, EN 55014, EN 61000

Nível de potência sonora, medido de acordo com a EN 50144:

L_{pA} (pressão sonora)	dB(A)	91
L_{WA} (potência sonora)	dB(A)	104

 Use protectores auditivos quando a potência sonora ultrapassar 85 dB(A).

Valor médio quadrático ponderado em frequência de aceleração conforme a EN 50144:

5,2 m/s²



Kevin Hewitt
Engenheiro Responsável
Spennymoor, County Durham DL16 6JG,
United Kingdom

FINALIDADE DA FERRAMENTA

O seu berbequim Black & Decker foi concebido para perfurar madeira, metal, plástico e alvenaria, assim como para fins de aparafusamento. Esta ferramenta destina-se apenas para uso doméstico.

INSTRUÇÕES DE SEGURANÇA

Símbolos

Os seguintes símbolos são usados neste manual:



Indica risco de ferimentos, perigo de vida ou danos na ferramenta no caso do não-cumprimento das instruções deste manual.



Indica tensão eléctrica.



Leia este manual antes de utilizar a ferramenta.

Conhecer a ferramenta



- ◆ **Aviso!** Ao utilizar ferramentas eléctricas, é preciso seguir sempre as precauções básicas para a segurança, incluindo as detalhadas a seguir, para diminuir os riscos de incêndio, choque eléctrico, ferimentos pessoais e danos materiais.
- ◆ Leia atentamente este manual antes de utilizar a ferramenta.
- ◆ Antes de utilizar a ferramenta, certifique-se de que sabe como desligá-la em caso de urgência.
- ◆ Guarde este manual para futura consulta.

Informações gerais

1. Mantenha a área de trabalho arrumada

As mesas e áreas de trabalho desarrumadas podem provocar ferimentos.

2. Cuide do ambiente da área de trabalho

Não exponha a ferramenta à chuva. Não utilize a ferramenta em situações onde haja humidade ou água. Mantenha a área de trabalho bem iluminada. Não utilize a ferramenta onde haja risco de fogo ou explosão, p.ex. em presença de líquidos ou gases inflamáveis.

3. Mantenha as crianças afastadas

Não permita que crianças, visitantes ou animais cheguem perto da área de trabalho ou toquem na ferramenta ou no cabo eléctrico.

4. Vista-se de maneira apropriada

Não use vestuário largo nem jóias porque podem prender-se numa peça móvel. Quando se trabalha no exterior, aconselha-se o uso de luvas de borracha e de calçado antiderrapante. Prenda o cabelo se o tiver comprido.

5. Protecção pessoal

Utilize óculos de protecção. Utilize óculos de protecção e uma máscara de rosto para poeiras sempre que as operações possam produzir poeira ou partículas que voem. Utilize protector de ouvidos sempre que o nível de ruído pareça ser incómodo.

6. Tenha cuidado com os choques eléctricos

Evite tocar em superfícies aterradas ou ligadas à terra, como por exemplo: canos, radiadores, fogões e frigoríficos. A segurança eléctrica pode ser melhorada mediante o uso de dispositivos de corrente residual (RCD) de alta sensibilidade (30 mA / 30 MS).

7. Verifique a sua posição

Mantenha sempre o equilíbrio.

8. Esteja atento

Dê atenção ao que vai fazendo. Trabalhe com precaução. Não utilize ferramentas quando estiver cansado.

9. Segure firmemente as peças a trabalhar

Utilize grampos ou um torno para segurar as peças de trabalho. É mais seguro e permite manter as duas mãos livres para trabalhar.

10. Ligue o equipamento de extracção de poeiras

Caso sejam fornecidos os dispositivos para a extracção e colecta de poeiras, assegure-se de que os mesmos estejam correctamente ligados e sejam correctamente utilizados.

11. Tire as chaves de aperto

Verifique sempre se as chaves de aperto foram retiradas da ferramenta antes de a utilizar.

12. Extensões eléctricas

Antes de iniciar o uso, verifique o estado da extensão eléctrica e substitua-a se estiver danificada. Ao utilizar a ferramenta no exterior, utilize apenas extensões adequadas para este tipo de uso.

13. Utilize a ferramenta apropriada

Neste manual indicam-se as aplicações da ferramenta. Não force pequenas ferramentas ou acessórios para fazer o trabalho duma ferramenta forte. A ferramenta trabalhará melhor e de uma maneira mais segura se for utilizada para o efeito indicado. Não force a ferramenta. **Aviso!** O uso de qualquer acessório ou da própria ferramenta, além do que é recomendado neste manual de instruções pode dar origem a riscos de ferimentos.

14. Verifique se há peças danificadas.

Antes do uso, verifique cuidadosamente se a ferramenta e o cabo eléctrico não estão danificados. Verifique o tamanho das peças móveis e se as mesmas estão alinhadas; verifique se há alguma peça partida, se as protecções e os interruptores estão danificados, bem como quaisquer outras condições que possam afectar o funcionamento da ferramenta. Assegure-se de que a ferramenta funciona correctamente e de que esteja a desempenhar as funções para as quais foi projectada. Não utilize a ferramenta se houver alguma peça defeituosa. Não utilize a ferramenta se o interruptor liga/desliga não estiver a funcionar. Qualquer peça defeituosa deve ser reparada ou substituída por um técnico autorizado. Nunca tente efectuar qualquer reparação por sua conta.

15. Desligue a ferramenta

Desligue a ferramenta quando não estiver em uso, antes de trocar qualquer peça da ferramenta, acessórios ou anexos e antes de a enviar para os serviços técnicos.

16. Evite ligar sem intenção

Não transporte a ferramenta com um dedo sobre o interruptor liga/desliga. Assegure-se de que a ferramenta esteja desligada quando for ligá-la à tomada.

17. Não force o cabo eléctrico

Nunca transporte a ferramenta pelo cabo ou puxe o mesmo para retirá-lo da tomada. Proteja o cabo contra o calor e evite o contacto com óleo e objectos cortantes.

18. Guarde as ferramentas que não estiverem a ser utilizadas.

Quando não estiver em uso, as ferramentas deverão ser armazenadas em local seco, fechado ou alto, fora do alcance das crianças.

19. Cuide das suas ferramentas com atenção

Mantenha as ferramentas cortantes afiadas e limpas para um melhor e mais seguro desempenho. Siga as instruções para a manutenção e a troca de acessórios. Mantenha os punhos e os interruptores secos, limpos e isentos de óleo e gordura.

20. Reparações

Esta ferramenta cumpre os requisitos de segurança pertinentes. As reparações devem ser realizadas somente por pessoas qualificadas e as peças de reposição devem ser originais. A não observância disso poderá resultar em perigos consideráveis para os utilizadores.

SEGURANÇA ELÉCTRICA

O motor eléctrico foi concebido para uma única tensão. Verifique sempre se a tensão da rede corresponde à voltagem indicada na placa de identificação.



A ferramenta tem duplo isolamento em conformidade com o estipulado na norma EN 50144, não sendo, por isso, necessária uma ligação à terra.

Extensões

Se for necessário uma extensão eléctrica, use uma apropriada para a corrente desta ferramenta (veja os dados técnicos). A dimensão mínima do condutor é 1,5 mm². Antes do uso, verifique se há sinais de danos, envelhecimento e desgaste da extensão eléctrica.

Substitua-a se estiver danificada ou apresentar defeitos. No caso de se usar uma bobina, desenrole o cabo todo. O uso de extensões não adequadas para a energia de entrada da ferramenta ou que esteja danificada ou com defeito poderá resultar em riscos de incêndio e choque eléctrico.

VISÃO GERAL (fig. A)

Esta ferramenta inclui alguma das ou todas as seguintes funções:

1. Interruptor de velocidade variável (AST1, OCD501, KR450RE, KR500(C)RE, KR510)
1. Interruptor (outros modelos)
2. Botão de bloqueio
3. Selector de duas velocidades (KR502, KR532)
3. Selector do sentido da rotação (outros modelos)
4. Selector de percussão/perfuração
5. Pega lateral
6. Bucha sem chave
7. Bucha com chave

MONTAGEM



Antes de tentar executar qualquer das operações a seguir, assegure-se de que a ferramenta esteja desligada e a ficha esteja fora da tomada eléctrica.

Encaixe do punho lateral (fig. B)

- ◆ Rode o punho (9) para a esquerda até que consiga mover o manípulo lateral (5) para a frente da ferramenta como mostrado.
- ◆ Rode a pega lateral até à posição desejada.
- ◆ Aperte a pega lateral girando o punho para a direita.

Colocação de uma broca ou ponta de aparafusar

Bucha sem chave (fig. C)

- ◆ Abra a bucha girando a parte frontal (10) com uma mão enquanto segura a parte traseira (11) com a outra.
- ◆ Introduza a broca (12) na bucha e aperte-a firmemente.

Bucha com chave (fig. D)

- ◆ Rode o corpo da bucha (13) até que os mordentes se encontrem suficientemente abertos.
- ◆ Introduza a broca (12) na bucha.
- ◆ Introduza a extremidade da chave (14) num dos três orifícios do corpo da bucha (15) para fixar a bucha.

Remoção e colocação da bucha (fig. E)

- ◆ Abra a bucha o mais possível.
- ◆ Remova o parafuso de fixação da bucha girando-o para a direita utilizando uma chave de fendas.
- ◆ Aperte a chave Allen (16) na bucha e dê-lhe uma pancada com um martelo como mostrado.
- ◆ Remova a chave Allen.
- ◆ Remova a bucha girando-a para a esquerda.
- ◆ Para voltar a colocar a bucha, aperte-a no veio e fixe-a com o respectivo parafuso de fixação.

USO



- ◆ Deixe que a ferramenta funcione à vontade. Não a sobrecarregue.
- ◆ Antes de perfurar paredes, pisos ou tectos, verifique a localização de fios e canos.

Seleção da direcção de rotação (fig. A)

- ◆ Para furar e aparafusar, mova o selector do sentido da rotação (7) para a frente.
- ◆ Para desaparafusar ou retirar uma broca encravada, mova o selector do sentido da rotação (7) para trás.



Nunca mude a direcção da rotação com o motor a funcionar.

Seleção do modo de perfuração (fig. A)

- ◆ Para a perfuração em alvenaria, ajuste o selector de percussão/perfuração (4) para a posição **T**.
- ◆ Para a perfuração noutros materiais ou para aparafusar, ajuste o selector de percussão/perfuração (4) para a posição **1**.

Como ligar e desligar a ferramenta (fig. A)

Interruptor de ligar/desligar de velocidade variável

- ◆ Para ligar a ferramenta, pressione o interruptor de ligar/desligar (1). A velocidade da ferramenta depende de quanto se pressiona o interruptor. Como regra geral, utilize velocidades baixas para brocas de diâmetro elevado e velocidades altas para brocas de diâmetro reduzido.
- ◆ Para o funcionamento contínuo, prima o botão de bloqueio (2) e liberte o interruptor de ligar/desligar. Esta opção só está disponível na velocidade máxima.
- ◆ Para desligar a ferramenta, solte o interruptor de ligar/desligar. Para desligar a unidade quando em funcionamento contínuo, prima uma vez no interruptor de ligar/desligar e liberte-o.

Interruptor

- ◆ Para ligar a ferramenta, pressione o interruptor de liga/desliga (1). Se a ferramenta tiver um selector de duas velocidades (3), ajuste-o para a velocidade desejada. Como regra geral, utilize velocidades baixas para brocas de diâmetro elevado e velocidades altas para brocas de diâmetro reduzido.
- ◆ Para o funcionamento contínuo, prima o botão de bloqueio (2) e liberte o interruptor de ligar/desligar.
- ◆ Para desligar a ferramenta, solte o interruptor. Para desligar a unidade quando em funcionamento contínuo, prima uma vez no interruptor de ligar/desligar e liberte-o.

Acessórios

O desempenho da sua ferramenta depende dos acessórios utilizados. Os acessórios da Black & Decker e Piranha são fabricados de acordo com os mais altos padrões de qualidade e são concebidos para melhorar o desempenho da sua ferramenta. Ao utilizar estes acessórios, poderá tirar um maior partido da sua ferramenta.

MANUTENÇÃO

Esta ferramenta Black & Decker foi desenvolvida para funcionar por um longo período, com um mínimo de manutenção.

O funcionamento contínuo e satisfatório depende da limpeza regular e cuidado adequado da ferramenta.



Antes de qualquer procedimento de manutenção, desligue a ferramenta no interruptor e retire a tomada da corrente.

PROTECÇÃO DO MEIO AMBIENTE



A Black & Decker oferece facilidades para a reciclagem de produtos Black & Decker uma vez que os mesmos tenham alcançado o final de suas vidas úteis. Este serviço é fornecido sem encargos. Para utilizá-lo, devolva o seu produto a qualquer agente de reparação autorizado, que se encarregará de recolher o equipamento em nosso nome.

Para verificar a localização do agente de reparação mais próximo de si, contacte o escritório local da Black & Decker no endereço indicado neste manual. Se preferir, consulte a lista de agentes autorizados da Black & Decker e os dados completos dos nossos serviços de atendimento pós-venda na Internet no endereço: www.2helpU.com.

GARANTIA

A Black & Decker confia na qualidade de seus produtos e oferece um programa de garantia excelente. Esta declaração de garantia soma-se aos seus direitos legais e não os prejudica em nenhum aspecto. A garantia será válida nos territórios dos Estados Membros da União Europeia e na Área de Livre Comércio da Europa.

Caso algum produto da Black & Decker apresente avarias devido a defeitos de material, mão-de-obra ou ausência de conformidade no prazo de 24 meses a partir da data de compra, a Black & Decker garantirá a substituição das peças defeituosas, a reparação dos produtos que foram submetidos a uso adequado e remoção ou substituição dos mesmos para assegurar o mínimo de inconvenientes ao cliente a menos que:

- ◆ O produto tenha sido utilizado para fins comerciais, profissionais ou aluguer;
- ◆ O produto tenha sido submetido a uso incorrecto ou descuido;
- ◆ O produto tenha sofrido danos causados por objectos estranhos, substâncias ou acidentes;
- ◆ Tenha um histórico de reparações efectuadas por terceiros que não sejam os agentes autorizados ou profissionais de manutenção da Black & Decker.

Dados técnicos

		CD200 KR400	KR420	KR450	KR450RE	KR510
Voltagem	V_{AC}	230	230	230	230	230
Potência absorvida	W	400	420	450	450	500
Velocidade sem carga	min^{-1}	2.800	2.800	2.800	0-2,800	0-2,800

		CD501 AST1	KR500RE KR500CRE	KR500	KR502 KR532	KR531
Voltagem	V_{AC}	230	230	230	230	230
Potência absorvida	W	500	500	500	500	500
Velocidade sem carga	min^{-1}	0-2.800	0-2.800	2.800	2,400/2,800	2,800

Capacidade máxima de perfuração

		AST1 CD501CRE KR500(C)RE	KR510XC KR531 KR532	outros modelos
Aço/betão	mm	13	13	10
Madeira	mm	20	20	20

Para activar a garantia, será necessário enviar a prova de compra ao revendedor ou agente de reparação autorizado. Para verificar a localização do agente de reparação mais próximo de si contacte o escritório local da Black & Decker no endereço indicado neste manual. Se preferir, consulte a lista de agentes autorizados da Black & Decker e os dados completos de nossos serviços de atendimento pós-venda na Internet no endereço: www.2helpU.com.

OUTRAS FERRAMENTAS

“FAÇA VOCÊ MESMO”

A Black & Decker possui uma linha completa de ferramentas e acessórios que tornam fáceis os trabalhos feitos por si. Se deseja obter informações complementares sobre outros produtos, por favor contacte um dos Centros de Assistência ou o serviço de Apoio ao Cliente da Black & Decker (veja página de endereços dirigindo-se ao final deste manual) ou ainda um revendedor Black & Decker.

BORRMASKIN

AST1/CD200/CD501/KR400/KR420/KR450/ KR500/KR502/KR510/KR531/KR532

BÄSTE KUND!


Tack för att du har valt ett verktyg från Black & Decker. Vi hoppas att du kommer att få glädje av verktyget i många år.

CE-FÖRSÄKRAN OM ÖVERENSSTÄMMELSE

CE AST1/CD200/CD501/KR400/KR420/
KR450/KR500/KR502/KR510/KR531/KR532
Black & Decker förklarar att dessa verktyg är konstruerade i överensstämmelse med: 98/37/EEG, 89/336/EEG, 73/23/EEG, EN 50144, EN 55014, EN 61000

Ljudnivå, uppmätt enligt EN 50144:

L_{pA} (ljudtryck)	dB(A)	91
L_{WA} (ljudeffekt)	dB(A)	104

 Använd hörselskydd om ljudnivån överskrider 85 dB(A).

Det vägda geometriska medelvärdet av vibrationsfrekvensen enligt EN 50144:

5,2 m/s²



Kevin Hewitt
Director of Consumer Engineering
Spennymoor, County Durham DL16 6JG,
United Kingdom

ANVÄNDNINGSSOMRÅDE

Din borrar maskin från Black & Decker kan användas för borrar i trä, metall, plast och murverk, och dessutom för skruvdragning. Verktyget är endast avsett som konsumentverktyg.

SÄKERHETSINSTRUKTIONER

Symboler

Följande symboler har använts i bruksanvisningen:



Anger risk för personskada, livsfara eller skada på verktyg om du inte följer de instruktioner som står i bruksanvisningen.



Anger risk för elektrisk stöt.



Läs bruksanvisningen innan du använder verktyget.

Lär känna verktyget



- **Varning!** När man använder elverktyg är det viktigt att man bl.a. följer nedanstående säkerhetsanvisningar för att minska risken för brand, elektriska stötar, personsador och materialsador.
- Var säker på att du vet hur man stänger av verktyget innan du börjar använda det.
- Spara bruksanvisningen lättillgängligt.

Allmänt

1. Håll arbetsområdet i ordning

Nedskräpade ytor och arbetsbänkar inbjuder till skador.

2. Tänk på arbetsmiljöns inverkan

Utsätt inte verktyget för regn. Använd inte verktyget på fuktiga eller våta platser. Ha bra belysning över arbetsytan. Använd inte verktyget där det finns risk för eldsvåda eller explosion, t.ex. i närheten av lättantändliga vätskor eller gaser.

3. Utom räckhåll för barn

Tillåt inte barn, besökande eller djur att komma i närheten av arbetsplatsen eller att röra vid verktyget eller sladden.

4. Klä dig rätt

Bär inte löst hängande kläder eller smycken. De kan fastna i rörliga delar. Gummihandskar och halkfria skor rekommenderas vid utomhusarbeten. Använd hårnät om du har långt hår.

5. Skyddskläder

Använd alltid skyddsglasögon. Använd ansiktsmask om arbetet förorsakar damm eller partiklar i luften. Använd hörselskydd om du besväras av ljudnivån.

6. Eliminera risken för elektriska stötar

Undvik kroppskontakt med jordade ytor (t.ex. rör, värmeelement, vattenkokare och kylskåp). Elsäkerheten kan förbättras ytterligare genom användning av en jordfelsbrytare med hög känslighet (30 mA/30 mS).

7. Sträck dig inte för mycket

Se till att du alltid har säkert fotfäste och balans.

8. Var uppmärksam

Titta på det du gör. Använd sunt förnuft. Använd inte verktyget när du är trött.

9. Sätt fast arbetsstycket

Använd skruvtingar eller ett skruvstycke för att hålla fast arbetsstycket. Det är säkrare än att använda handen och du får bägge händerna fria för arbetet.

10. Anslut dammutsugningsutrustning

Om möjligheter finns för anslutning av utrustning för dammutsugning och dammuppsamling ska sådan utrustning anslutas och användas på korrekt sätt. OBS!

Anslut endast grovsugare.

11. Tag bort nycklar

Kontrollera att nycklar och justerverktyg har tagits bort från verktyget innan det startas.

12. Förlängningssladdar

Kontrollera förlängningssladden innan den används. Byt ut den om det behövs.

Om verktyget används utomhus ska bara förlängningssladdar som är avsedda för utomhusbruk användas.

13. Använd rätt verktyg

Använd inte verktyg för ändamål de inte är avsedda för. Tvinga inte verktyget att göra arbeten som är avsedda för kraftigare verktyg. Använd endast tillbehör och tillsatser som är rekommenderade i bruksanvisningen och katalogerna. Överbelasta inte verktyget.

Varning! Användning av annat verktyg eller tillbehör kan innebära risk för personskada.

14. Kontrollera verktyget för skador

Kontrollera verktyget och sladden för skador innan du använder verktyget. Kontrollera att de rörliga delarna inte har fastnat eller är felmonterade. Kontrollera även att övriga delar och skydd inte är skadade och att det inte föreligger några andra fel som kan påverka verktygets funktion. Kontrollera att verktyget fungerar riktigt och kan utföra de avsedda funktionerna. Använd inte verktyget om fel uppstått på någon av dess delar. Använd inte verktyget om det inte kan kopplas till och från med strömbrytaren. Om fel uppstår skall delarna repareras eller bytas ut av en auktoriserad Black & Decker serviceverkstad. Försök aldrig reparera verktyget själv.

15. Dra ur kontakten

Tag ur kontakten när verktyget inte är i bruk samt före byte av någon del av verktyget, tillbehör eller verktygsfästen eller innan serviceåtgärder utförs.

16. Undvik oavsiktlig start

Bär aldrig verktyget med ett finger på strömbrytaren. Kontrollera att verktyget är avstängt innan du sätter i kontakten.

17. Misshandla inte sladden

Bär aldrig verktyget i sladden och använd inte sladden för att dra ut kontakten. Utsätt inte sladden för värmekällor, olja eller skarpa kanter.

18. Förvara verktyg säkert

När verktyget inte används ska det förvaras på ett torrt ställe, som antingen är låst eller högt beläget så att barn inte kan komma åt det.

19. Sköt verktyget med omsorg

Håll verktyget rent och använd skarpa tillbehör för bättre prestanda och säkrare drift. Följ instruktionerna beträffande skötsel och byte av tillbehör. Håll handtagen och strömbrytare torra, rena och fria från olja och fett.

20. Reparationer

Detta verktyg uppfyller gällande säkerhetskrav. Reparationer ska utföras av en auktoriserad Black & Decker serviceverkstad som använder originaldelar, annars kan användaren utsättas för stor fara.

ELEKTRISK SÄKERHET

Den elektriska motorn är endast avsedd för en spänning. Kontrollera alltid att spänningen på nätet motsvarar den spänning som finns angiven på märkplåten.



Verktyget är dubbelisolerat motsvarande EN 50144; jordledare är således överflödigt.

Användning med förlängningssladd

Använd en godkänd förlängningssladd lämpad för verktygets strömförbrukning (se tekniska data). Kontrollera före användning om förlängningssladden är skadad, sliten eller börjar bli gammal. Byt ut förlängningssladden om den är skadad eller trasig. Om du använder en sladdvinda, vira alltid av hela sladden. Det är risk för brand eller elchock om en förlängningssladd används som inte är avsedd för verktygets effekt eller som är skadad eller defekt.

ÖVERSIKT (fig. A)

Verktyget har en del eller samtliga av nedanstående funktioner.

1. Steglös strömbrytare (AST1, CD501, KR450RE, KR500(C)RE, KR510)
1. Strömbrytare (andra modeller)
2. Låsknapp
3. Hastighetsväljare med två lägen (KR502, KR532)
3. Reglage för höger-/vänstergång (andra modeller)
4. Omkopplare för borrningsläge

5. Sidohandtag
6. Snabbchuck
7. Nyckelchuck

MONTERING



Innan du utför någon av följande handlingar måste du försäkra dig om att verktyget har stängts av och att kontakten dragits ur.

Montering av sidohandtaget (fig. B)

- ♦ Vrid greppet (9) motsols tills handtaget (5) kan skjutas på framtill på bormaskinen enligt bild.
- ♦ Vrid sidohandtaget till önskat läge.
- ♦ Drag åt sidohandtaget genom att vrida greppet medsols.

Isättning av borr eller skruvmejsel

Snabbchuck (fig. C)

- ♦ Öppna chucken genom att vrida den främre delen (10) med en hand medan du håller den bakre delen (11) på plats med den andra handen.
- ♦ Sätt i tillbehöret (12) i chucken och drag åt chucken ordentligt.

Nyckelchuck (fig. D)

- ♦ Öppna chucken genom att vrida på hylsan (13).
- ♦ Sätt i tillbehöret (12) i chucken.
- ♦ Sätt i chucknyckeln (14) i vart och ett av hålen (15) på sidan av chucken, och dra åt ordentligt.

Montering och borttagning av chucken (fig. E)

- ♦ Öppna chucken så mycket det går.
- ♦ Ta bort chuckens fästskruv genom att vrida den medsols med en skruvmejsel.
- ♦ Sätt i en insexnyckel (16) i chucken. Slå med ett lätt slag med en hammare enligt bild.
- ♦ Ta bort insexnyckeln.
- ♦ Ta bort chucken genom att vrida den motsols.
- ♦ Sätt tillbaka chucken genom att skruva den på spindeln och lås fast den med fästskruven.

ANVÄNDNING



- ♦ Överbelasta inte maskinen, låt den arbeta i sin egen takt.

- ◆ Kontrollera var de elektriska ledningarna och rörledningarna är installerade innan du borrar i väggar, golv och tak.

Höger-/vänstergång (fig. A)

- ◆ För borrar och skruvdragning ska reglaget (7) skjutas framåt.
- ◆ För att lossa skruvar, eller ta bort ett borr som har fastnat, ska reglaget (7) skjutas bakåt.



Ändra aldrig rotationsriktning när motorn igång.

Borringssläge (fig. A)

- ◆ För borrar i murverk ska omkopplaren för borringssläge (4) ställas i **T**-läget.
- ◆ För borrar i andra material och för skruvdragning ska omkopplaren för borringssläge (4) ställas i **A**-läget.

Start och stopp (fig. A)

Strömbrytare för variabel hastighet

- ◆ Starta verktyget genom att trycka på strömbrytaren (1). Verktygets hastighet beror på hur långt strömbrytaren trycks in. Normalt använder man låga varvtal för borrar med stor diameter, och höga varvtal för borrar med mindre diameter.
- ◆ Tryck in låsknappen (2) och släpp strömbrytaren om du vill att verktyget ska gå hela tiden. Du kan bara göra det vid maximalt varvtal.
- ◆ Stäng av verktyget genom att släppa strömbrytaren. För att stanna verktyget när det är inställt på kontinuerlig drift så trycker du en gång till på strömbrytaren, och släpper sedan ut den.

Strömbrytare

- ◆ Tryck på strömbrytaren (1) för att starta verktyget. Om bormaskinen är försedd med en hastighetsväljare med två lägen (3) så ska den användas för inställning av önskat varvtalsområde. Normalt använder man låga varvtal för borrar med stor diameter, och höga varvtal för borrar med mindre diameter.

- ◆ Tryck in låsknappen (2) och släpp strömbrytaren om du vill att verktyget ska gå hela tiden.
- ◆ Släpp strömbrytaren för att stänga av verktyget. För att stanna verktyget när det är inställt på kontinuerlig drift så trycker du en gång till på strömbrytaren, och släpper sedan ut den.

Tillbehör

Verktygets användningsområde beror på vilket tillbehör du väljer. Black & Decker- och Piranhatillbehören är av hög kvalitet. Genom att använda dessa tillbehör kan du få ut mesta möjliga av verktyget.

SKÖTSEL

Ditt Black & Decker verktyg har tillverkats för att fungera under lång tid med ett minimum av skötsel. Med rätt underhåll och regelbunden rengöring bibehåller verktyget sin prestanda.



Vid underhåll och skötsel skall verktyget vara avstängt och sladden utdragen.

MILJÖ



När ditt verktyg är utslitet, skydda naturen genom att inte slänga det tillsammans med vanligt avfall. Lämna det till de uppsamlingsställen som finns i din kommun eller där du köpt verktyget.

RESERVDELAR / REPARATIONER

Reservdelar finns att köpa hos auktoriserade Black & Decker verkstäder, som även ger kostnadsförslag och reparerar våra produkter.

Förteckning över våra auktoriserade verkstäder finns på Internet, vår hemsida

www.blackdecker.se samt www.2helpU.com.

GARANTI

Black & Decker garanterar att produkten är fri från material- och/eller fabriktionsfel vid leverans till kund. Garantin är i tillägg till konsumentens lagliga rättigheter och påverkar inte dessa. Garantin gäller inom medlemsstaterna i Europeiska Unionen och i det Europeiska Frihandelsområdet.

Om en Black & Decker produkt går sönder på grund av material- och/eller fabriktionsfel eller brister i överensstämmelse med specifikationen, inom 24 månader från köpet, åtar sig Black & Decker att reparera eller byta ut produkten med minsta besvär för kunden.

Garantin gäller inte för fel som beror på:

- ♦ normalt slitage
- ♦ felaktig användning eller skötsel
- ♦ att produkten skadats av främmande föremål, ämnen eller genom olyckshändelse

Garantin gäller inte om reparation har utförts av någon annan än en auktoriserad Black & Decker verkstad.

För att utnyttja garantin skall produkten och inköpskvittot lämnas till återförsäljaren eller till en auktoriserad verkstad senast 2 månader efter det att felet har upptäckts. För information om närmaste auktoriserad verkstad; kontakta det lokala Black & Decker kontoret på den adress som är angiven i bruksanvisningen. En lista på alla auktoriserade verkstäder samt servicevillkor finns även tillgängligt på Internet, adress: www.2helpU.com.

ANDRA GÖR-DET-SJÄLV-VERKTYG

Black & Decker har ett stort urval verktyg som underlättar alla gör-det-självt-arbeten. Kontakta närmaste Black & Decker återförsäljare för ytterligare information eller besök vår hemsida www.blackdecker.se.

Borrmaskiner
 Uppladdningsbara skruvdragare
 Uppladdningsbara borrar/borrmaskiner/skruvdragare
 Slipmaskiner
 Sticksågar
 Cirkelsågar
 Geringssägar
 Vinkelslipar
 Planslipar
 Handöverfräsar
 Multiverktyg
 Varmluftspistoler
 Arbetsbänkar

Vi har också ett stort urval tillbehör för verktygen ovan.

Alla produkter är inte tillgängliga i vissa länder.

Tekniska data

		CD200 KR400	KR420	KR450	KR450RE	KR510
Spänning	V _{AC}	230	230	230	230	230
Ineffekt	W	400	420	450	450	500
Obelastad hastighet	min ⁻¹	2.800	2.800	2.800	0-2,800	0-2,800

		CD501 AST1	KR500RE KR500CRE	KR500	KR502 KR532	KR531
Spänning	V _{AC}	230	230	230	230	230
Ineffekt	W	500	500	500	500	500
Obelastad hastighet	min ⁻¹	0-2.800	0-2.800	2.800	2,400/2,800	2,800

Maximal borrkapacitet

		AST1 CD501CRE KR500(C)RE	KR510XC KR531 KR532	andra modeller
Stål/betong	mm	13	13	10
Trä	mm	20	20	20

BORMASKIN AST1/CD200/CD501/KR400/KR420/ KR450/KR500/KR502/KR510/KR531/KR532

KJÆRE KUNDE!


Du har valgt et Black & Decker verktøy. Vi håper at du vil ha glede av dette verktøyet i mange år fremover.

CE-SIKKERHETSERKLÆRING

CE AST1/CD200/CD501/KR400/KR420/
KR450/KR500/KR502/KR510/KR531/KR532
Black & Decker erklærer at disse verktøyer
er konstruert i henhold til:
98/37/EØF, 89/336/EØF, 73/23/EØF,
EN 50144, EN 55014, EN 61000

Lydnivået, målt i henhold til EN 50144:

L_{pA} (lydnivå)	dB(A)	91
L_{WA} (akustisk effekt)	dB(A)	104

 Bruk hørselsbeskyttelse dersom lydnivået
overskrider 85 dB(A).

Den veide geometriske middelverdien av
vibrasjonsfrekvensen i følge EN 50144:

5,2 m/s²



Kevin Hewitt
Director of Consumer Engineering
Spennymoor, County Durham DL16 6JG,
United Kingdom

BRUKSOMRÅDER

Din Black & Decker bormaskin er utformet for
boring i tre, metall, plast og murverk, samt bruk
som skrutrekker.
Verktøyet er tiltenkt kun som konsumentverktøy.

SIKKERHETSINSTRUKSJONER

Symboler

Følgende symboler brukes i denne
bruksanvisningen:



Betegner risiko for personskade, livsfare
eller skade på verktøyet dersom
instruksene i denne bruksanvisningen ikke
følges.



Betegner risiko for elektrisk støt.



Les bruksanvisningen før du bruker
verktøyet.

Lær verktøyet å kjenne



- ◆ **Advarsel!** Ved bruk av elektroverktøy,
må du alltid følge en del grunnleggende
sikkerhetsregler, inkludert følgende,
for å redusere faren for brann, elektrisk
støt, personskade og materialskade.
- ◆ Ta deg tid til å lese nøye gjennom
bruksanvisningen før du begynner å
bruke verktøyet.
- ◆ Vær sikker på at du vet hvordan man
slår av verktøyet før du begynner å
bruke det.
- ◆ Oppbevar bruksanvisningen på et lett
tilgjengelig sted.

Generelt

1. **Hold arbeidsområdet rent og ryddig**
En uryddig arbeidsplass innbyr til skader.
2. **Tenk på arbeidsmiljøets innvirkning**
Utsett ikke verktøyet for regn. Bruk ikke verktøyet under våte eller fuktige forhold. Pass på at arbeidsområdet er godt opplyst. Bruk ikke verktøyet hvor det er fare for forårsaking av brann eller en eksplosjon, f. eks. i nærheten av brannfarlige væsker eller gasser.
3. **Hold barn unna**
Ikke la barn, besøkende eller dyr komme i nærheten av arbeidsområdet eller berøre verktøyet eller strømkabelen.
4. **Kle deg riktig**
Ha ikke på deg løstsittende klær eller smykker. De kan sette seg fast i de bevegelige delene. Vi anbefaler gummihansker og sko som ikke glir når du arbeider utendørs. Bruk hårnnett hvis du har langt hår.
5. **Personlig vern**
Bruk vernebriller. Bruk en ansikts- eller støvmaske når operasjonene kan forårsake støv eller flyvende partikler. Bruk ørevern når støynivået virker ukomfortabelt.
6. **Vern mot elektrisk støt**
Unngå kroppskontakt med jordede overflater (f. eks. rør, radiatorer, komfyrer og kjøleskap). Strømsikkerheten kan forbedres ytterligere ved bruk av jordfeilbryter med høy følsomhet (30 mA/30 mS).
7. **Strekk deg ikke for langt**
Pass på at du alltid har sikkert fotfeste og balanse.
8. **Vær oppmerksom**
Se på det du gjør. Bruk sunn fornuft. Bruk ikke maskinen når du er trett.
9. **Sikre arbeidsstykket**
Bruk tvinger eller skrustikker til å feste arbeidsstykket med. Dette er sikrere enn å bruke hånden, og du får begge hendene fri til å styre verktøyet.
10. **Kople til støvutsugstutyr**
Hvis det følger med utstyr for tilkopleing av støvutsug og støvoppsamling, må du sørge for at dette koples til og brukes riktig.
NB! Benytt kun grovsugere!

11. Fjern nøkler

Gjør det til vane å sjekke om nøkler og justeringsverktøy er fjernet før verktøyet startes.

12. Skjøteledninger

Før bruk må du kontrollere skjøteledningen og bytte den ut hvis den er skadet. Når du bruker verktøyet utendørs, må du kun bruke skjøteledninger beregnet for utendørs bruk.

13. Bruk riktig verktøy

Bruk ikke verktøyet til formål det ikke er ment for. Tving ikke en maskin til å gjøre arbeid som krever kraftigere verktøy. Bruk bare tilbehør og utstyr som anbefales i bruksanvisningen og i katalogene. Overbelast ikke verktøyet.

Advarsel! Bruk av annet verktøy eller tilbehør kan medføre en mulig risiko for personskade.

14. Sjekk verktøyet for skader

Kontroller verktøyet og strømløslinjen grundig for skade før bruk. Se etter feiljusteringer, om deler har satt seg fast eller har gått i stykker, skadede deksler og brytere eller andre forhold som kan påvirke bruken av verktøyet.

Kontroller at verktøyet fungerer som det skal og utfører beregnet funksjon. Bruk aldri verktøyet hvis noen av delene er skadet.

Ikke bruk verktøyet hvis det ikke er mulig å slå det på og av med strømbryteren. Hvis noen av delene er skadet så få de reparert eller byttet ut av et autorisert Black & Decker serviceverksted. Prøv aldri å reparere selv.

15. Trekk ut støpselet

Trekk ut støpselet når verktøyet ikke er i bruk, før du bytter noen av delene på verktøyet, tilbehør eller tilslutning og før vedlikeholdelse.

16. Unngå utilsiktet start

Bær aldri verktøyet med fingeren på strømbryteren. Pass på at verktøyet er slått av når du setter i støpselet.

17. Ikke mislighold ledningen

Ikke bær verktøyet etter ledningen eller trekk i ledningen når du skal ta ut støpselet. Utsett ikke ledningen for varme, olje, eller skarpe kanter.

18. Oppbevar verktøy på et trygt sted

Når verktøyet ikke er i bruk, bør det oppbevares på et tørt sted som er låst eller høyt oppe, utenfor barns rekkevidde.

19. Vær nøye med vedlikeholdet

Hold verktøyet rent og bruk skarpe tilbehør for bedre prestasjon og sikrere drift.

Følg forskriftene når det gjelder vedlikehold og skifte av tilbehør. Hold håndtakene og brytere tørre, rene og fri for olje og fett.

20. Reparasjoner

Dette verktøyet overholder relevante sikkerhetskrav. Reparasjoner må bare utføres av autoriserte Black & Decker serviceverksteder som benytter originale reservedeler, ellers kan det være farlig å bruke utstyret.

ELEKTRISK SIKKERHET

Den elektriske motoren er kun konstruert for én spenning. Kontroller alltid at nettspenningen er i overensstemmelse med spenningen på typeskiltet.



Verktøyet er dobbeltisolert i samsvar med EN 50144. Jordet ledning er derfor ikke nødvendig.

Bruk med skjøteledning

Bruk en godkjent skjøteledning som er egnet til dette verktøyets kraftbehov (se tekniske data). Før bruk må du kontrollere at skjøteledningen ikke er skadet eller slitt. Skift ut skjøteledningen hvis den er skadet. Hvis du bruker en kabeltrommel, vikl alltid ut all ledningen. Bruk av skjøteledning som er uegnet som strømtilførsel til verktøyet eller som er skadet eller defekt, kan føre til fare for brann og elektrisk støt.

OVERSIKT (fig. A)

Dette verktøyet ha noen av eller alle følgende funksjoner:

1. Trinnløs strømbryter (AST1, CD501, KR450RE, KR500(C)RE, KR510)
1. Strømbryter (andre modeller)
2. Låseknapp
3. Velger med to hastigheter (KR502, KR532)
3. Bryter for høyre-/venstregange (andre modeller)
4. Velger for boremodus
5. Sidehåndtak
6. Hurtigchuck
7. Nøkkelchuck

MONTERING



Før du forsøker noe av følgende, må du passe på at verktøyet er slått av og koplet fra strømtilførselen.

Sette på sidehåndtaket (fig. B)

- ◆ Drei grepet (9) mot klokken til du kan skyve sidehåndtaket (5) inn på forsiden av verktøyet, som vist.
- ◆ Drei sidehåndtaket til ønsket posisjon.
- ◆ Stram sidehåndtaket ved å dreie det med klokken.

Isetting og fjerning av bor og bits

Hurtigchuck (fig. C)

- ◆ Åpne chucken ved å dreie den forreste delen (10) med den ene hånden, mens du holder i den bakerste delen (11) med den andre hånden.
- ◆ Sett tilbehøret (12) inn i chucken, og stram chucken godt.

Nøkkelchuck (fig. D)

- ◆ Åpne chucken ved å dreie på hylsen (13).
- ◆ Sett tilbehøret (12) inn i chucken.
- ◆ Sett chucknøkkelen (14) inn i hvert av hullene (15) på siden av chucken, og drei til det er stramt.

Montere og fjerne chucken (fig. E)

- ◆ Åpne chucken så mye som mulig.
- ◆ Fjern skruen som holder fast chucken, ved å dreie den med klokken ved hjelp av en skrutrekker.
- ◆ Sett en sekskantnøkkel (16) inn i chucken og slå med et lett slag med en hammer, som vist.
- ◆ Fjern sekskantnøkkelen.
- ◆ Fjern chucken ved å dreie den mot klokken.
- ◆ Du setter på chucken igjen ved å skru den inn på spindelen og feste den med festeskruen.

BRUK



- ◆ La verktøyet jobbe i sin egen hastighet. Ikke overbelast.
- ◆ Før boring i vegger, gulv eller tak, må du undersøke hvor ledninger og rør befinner seg.

Høyre-/venstregange (fig. A)

- Ved boring og skrutrekking stiller du bryteren (7) forover.
- Ved løsning av skruer eller fjerning av bor som sitter fast, stiller du bryteren (7) bakover.



Du må aldri bytte rotasjonsretning mens motoren er i gang.

Velge boremodus (fig. A)

- Ved boring i murverk stilles velgeren (4) til posisjonen **T**.
- Ved boring i annet materiale og skrutrekking, stilles velgeren (4) til posisjonen **1**.

Start og stopp (fig. A)

Strømbryter for variabel hastighet

- Trykk på strømbryteren (1) for å slå verktøyet på. Verktøyet hastighet er avhengig av hvor langt inn du trykker strømbryteren. Vanligvis bør en bruke lave hastigheter til bor med stor diameter og høye hastigheter for bor med mindre diameter.
- Trykk på låseknappen (2) for kontinuerlig drift og slipp strømbryteren. Dette alternativet er kun tilgjengelig ved full hastighet.

- Slipp strømbryteren for å slå verktøyet av. Slå av verktøyet når det er i kontinuerlig drift ved å trykke en gang til på strømbryteren og slippe den.

Strømbryter

- For å slå verktøyet på, trykk på strømbryteren (1). Hvis verktøyet har en velger med to hastigheter (3), stilles den til ønsket hastighetsområde. Vanligvis bør en bruke lave hastigheter til bor med stor diameter og høye hastigheter for bor med mindre diameter.
- Trykk på låseknappen (2) for kontinuerlig drift og slipp strømbryteren.
- Slipp strømbryteren for å slå verktøyet av. Slå av verktøyet når det er i kontinuerlig drift ved å trykke en gang til på strømbryteren og slippe den.

Tilbehør

Verktøyet bruksområde er avhengig av hvilket tilbehør du velger. Tilbehør fra Black & Decker og Piranha er utformet i henhold til høye kvalitetsstandarder og er utformet for å gi optimal ytelse ved bruk sammen med ditt verktøy. Når du bruker dette tilbehøret, får du optimal ytelse fra ditt verktøy.

Tekniske data

		CD200 KR400	KR420	KR450	KR450RE	KR510
Spenning	V _{AC}	230	230	230	230	230
Inn-effekt	W	400	420	450	450	500
Hastighet ubelastet	min ⁻¹	2.800	2.800	2.800	0-2,800	0-2,800

		CD501 AST1	KR500RE KR500CRE	KR500	KR502 KR532	KR531
Spenning	V _{AC}	230	230	230	230	230
Inn-effekt	W	500	500	500	500	500
Hastighet ubelastet	min ⁻¹	0-2.800	0-2.800	2.800	2,400/2,800	2,800

Maks. borekapasitet

		AST1 CD501CRE KR500(C)RE	KR510XC KR531 KR532	andre modeller
Stål/betong	mm	13	13	10
Tre	mm	20	20	20

VEDLIKEHOLD

Ditt Black & Decker verktøy har blitt utformet for å være i drift over en lang periode med et minimum av vedlikehold. Ved riktig vedlikehold og regelmessig rengjøring beholder verktøyet sin prestasjon.



Før du setter igang hvilke som helst vedlikeholdelse må verktøyet slåes av og kontakten trekkes ut.

MILJØ



Når verktøyet ditt er utslitt, beskytt naturen ved ikke å kaste det sammen med vanlig avfall. Lever det til en oppsamlingsplass som finnes i din kommune eller der hvor du kjøpte verktøyet.

RESERVDeler / REPARASJONER

Reservdeler kan kjøpes hos autoriserte Black & Decker serviceverksteder, som også gir kostnadsoverslag og reparerer våre produkter.

Oversikt over våre autoriserte serviceverksteder finnes på Internet, vår hjemmeside www.blackdecker.no samt www.2helpU.com.

GARANTI

Black & Decker garanterer at produktet ikke har material- og/eller fabrikkasjonsfeil ved levering til kunde. Garantien er i tillegg til kundens lovlige rettigheter og påvirker ikke disse. Garantien gjelder innen medlemsstatene i den Europeiske Unionen og i det Europeiske Frihandelsområdet.

Hvis et Black & Decker produkt går i stykker på grunn av material- og/eller fabrikkasjonsfeil eller har mangler i forhold til spesifikasjonene, innen 24 måneder fra kjøpet, påtar Black & Decker seg å reparere eller bytte ut produktet med minst mulig vanskelighet for kunden.

Garantien gjelder ikke for feil som kommer av:

- ◆ normal slitasje
- ◆ feilaktig bruk eller vedlikehold (mislighold)
- ◆ at produktet har blitt skadet av fremmede gjenstander, emner eller ved et uhell

Det gjøres oppmerksom på at produktet ikke er beregnet på industriell/profesjonell/yrkesmessig bruk, men til hus- og hjemmebruk.

Garantien gjelder ikke om reparasjoner har blitt utført av noen andre enn et autorisert Black & Decker serviceverksted.

For å ta garantien i bruk skal produktet og kjøpekvitteing leveres til forhandleren eller til et autorisert serviceverksted senest 2 måneder etter at feilen har blitt oppdaget. For informasjon om nærmeste autoriserte serviceverksted; kontakt det lokale Black & Decker kontoret på den adressen som er angitt i bruksanvisningen. En oversikt over alle autoriserte serviceverksteder samt servicevilkår finnes også tilgjengelig på Internet, adresse: www.2helpU.com.

ANDRE GJØR-DET-SELV VERKTØY

Black & Decker har et stort utvalg av verktøy slik at alle gjør-det-selv jobbene blir enklere. Kontakt nærmeste Black & Decker forhandler for ytterligere informasjon eller besøk vår hjemmeside: www.blackdecker.no.

Bormaskiner
 Oppladbare skrutrekere
 Oppladbare bormaskiner/skrutrekere
 Slipemaskiner
 Sirkelsager
 Stikksager
 Vinkelslipere
 Høvler
 Håndoverfresere
 Multiverktøy
 Varmluftpistoler
 Kapp- og gjørsager
 Arbeidsbenker

Vi har også et stort utvalg av tilbehør for verktøyene ovenfor.

Ikke alle produkter er tilgjengelige i alle land.

BOREMASKINE

AST1/CD200/CD501/KR400/KR420/KR450/ KR500/KR502/KR510/KR531/KR532


Tak fordi du valgte Black & Decker. Vi håber at du får glæde af dette værktøj i mange år fremover.

EU-OVERENSSTEMMELSESERKLÆRING

CE AST1/CD200/CD501/KR400/KR420/
KR450/KR500/KR502/KR510/KR531/KR532
Black & Decker erklærer, at disse
værktøjer er konstrueret i henhold til:
98/37/EØF, 89/336/EØF, 73/23/EØF,
EN 50144, EN 55014, EN 61000

Lydniveauet målt i henhold til EN 50144:

LpA (lydniveau)	dB(A)	91
LWA (akustisk styrke)	dB(A)	104

 Anvend høreværn, hvis lydniveauet overstiger 85 dB(A).

Den vægtede geometriske middelværdi af accelerationsfrekvensen i henhold til EN 50144:

5,2 m/s²

K. Hewitt

Director of Consumer Engineering
Spennymoor, County Durham DL16 6JG,
United Kingdom

ANVENDELSESOMRÅDE

Din Black & Decker boremaskine er designet til at bore i træ, metal, plastic og murværk samt til skruetrækning.

Værktøjet er kun beregnet til privat brug.

SIKKERHEDSINSTRUKTIONER

Piktogrammer

Følgende piktogrammer anvendes i denne brugsanvisning:



Angiver risiko for personskade, livsfare eller ødelæggelse af værktøjet, hvis brugsanvisningens instruktioner ikke følges.



Angiver risiko for elektrisk stød.



Læs brugsanvisningen igennem, inden værktøjet tages i brug.

Lær værktøjet at kende



- ♦ **Advarsel!** Ved brug af elværktøj skal de grundlæggende sikkerhedsforanstaltninger altid følges, således at risikoen for brand, elektrisk stød, person- og materialeskader begrænses.
- ♦ Læs denne brugsanvisning igennem, inden værktøjet tages i brug.
- ♦ Du skal sikre dig, at du ved, hvordan værktøjet slukkes, inden det tages i brug.
- ♦ Opbevar brugsanvisningen let tilgængeligt.

Generelt

1. Hold arbejdsområdet i orden

Risikoen for uheld er mindre hvis man holder orden omkring arbejdsområdet.

2. Tænk på arbejdsmiljøets indflydelse

Udsæt ikke værktøjet for regn. Anvend ikke værktøjet på fugtige eller våde pladser. Sørg for en god belysning over arbejdsområdet. Anvend ikke værktøjet hvor der eksisterer risiko for at brand kan opstå eller eksplosioner forekomme, som følge af brug af værktøjet. F. eks. aldrig i nærheden af let antændelige væsker eller gasser.

3. Hold børnene på afstand

Børn, besøgende eller dyr må ikke nærme sig arbejdsområdet eller røre ved værktøjet eller netkablet.

4. Klæd dig rigtigt på

Bær ikke løst hængende tøj eller smykker. De kan sidde fast i bevægelige dele. Gummihandsker og skridsikre sko anbefales ved udendørs arbejde. Brug håret, hvis du har langt hår.

5. Personlig beskyttelse

Brug beskyttelsesbriller. Brug ansigts- eller støvmaske, når brug af værktøjet kan medføre støv eller flyvende partikler. Brug høreværn, når lydniveauet virker generende.

6. Beskyttelse mod elektrisk stød

Undgå kropskontakt med jordede emner (f.eks. rør, radiatorer, komfurer og køleskabe). Den elektriske sikkerhed kan forbedres yderligere ved brug af en højfølsom (30 mA / 30 mS) fejlstrømsafbryder (RCD).

7. Stræk dig ikke for meget

Sørg for, at du altid har sikkert fodfæste og balance.

8. Vær opmærksom

Se på det, du gør. Brug din sunde fornuft. Brug ikke værktøjet, når du er træt.

9. Sæt arbejdsmenet fast

Brug skruetvinger eller skruestik for at spænde arbejdsmenet fast. Det er sikrere end at bruge hånden, og du får begge hænder fri til arbejdet.

10. Tilslut støvudsugningsudstyret

Hvis der findes enheder til tilslutningsfunktionerne støvudsugning og støvopsamling, skal man sørge for, at disse tilsluttes og bruges korrekt.

11. Fjern nøglerne

Kontroller at nøgler og justerværktøj er fjernet fra værktøjet, inden det startes.

12. Forlængerkabler

Før brugen skal forlængerkablet efterses og udskiftes, hvis det er skadet. Ved brug af værktøjet udendørs må man kun benytte forlængerledninger, der er beregnet til udendørs brug.

13. Brug det rigtige værktøj

Brugen af værktøjet er beskrevet i denne brugsanvisning. Tving ikke elværktøj til at udføre arbejde, som er beregnet til kraftigere værktøj. Brug kun tilbehør og dele, der er anbefalet i brugsanvisningen og katalogerne. Værktøjet må ikke forceres.

Advarsel! Anvendelsen af andet tilbehør eller udførelse af opgaver med andet værktøj end det her anbefalede kan medføre risiko for personskader.

14. Kontrollér værktøjet for skader

Kontrollér omhyggeligt værktøjet og netkablet for beskadigelser, før det tages i brug. Check de bevægelige dele for skæv indstilling og sammenbrændinger, kontrollér for brud på dele, skader på skærme og kontakter samt alt andet, der kan påvirke værktøjets funktion. Kontrollér, at værktøjet fungerer rigtigt og kan udføre det arbejde, det er beregnet til. Værktøjet må ikke benyttes, hvis en af delene er beskadiget eller defekt. Brug ikke værktøjet, hvis det ikke kan tændes og slukkes ved afbryderen. Skadede eller defekte dele skal repareres eller udskiftes af en autoriseret tekniker. Man må aldrig forsøge selv at reparere værktøjet.

15. Afbryd værktøjet

Afbryd værktøjet når det er ude af brug og før udskiftning af enhver værktøjsdel, tilbehør eller andet udstyr.

16. Undgå utilsigtet start af værktøjet

Man må ikke bære værktøjet med en finger på tænd/sluk knappen. Sørg for, at værktøjet er slukket, når ledningen tilsluttes strømmen.

17. Vær forsigtig med ledningen

Man må aldrig bære værktøjet i ledningen eller tage det ud af stikkontakten ved at rive i ledningen. Ledningen skal holdes på afstand fra varme, olie og skarpe kanter.

18. Opbevar værktøjet sikkert, når det ikke bruges

Når værktøj ikke er i brug, skal det opbevares på et tørt sted, aflåst eller anbragt højt udenfor børns rækkevidde.

19. Vedligehold værktøjet omhyggeligt

Skærende værktøjer skal holdes skarpe og rene, før på denne måde at opnå et bedre og mere sikkert brug. Følg vedligeholdelsesvejledningen samt vejledningen til udskiftning af tilbehør. Hold håndtagene og knapperne tørre, rene og fri for olie og fedt.

20. Reparationer

Dette værktøj opfylder de relevante sikkerhedskrav. Reparationer må kun foretages af dertil kvalificerede personer, som bruger originale reservedele. I modsat fald kan der opstå betydelig fare for brugeren.

ELEKTRISK SIKKERHED

Elmotoren er kun beregnet til én spænding. Kontroller, at strømforsyningen svarer til spændingen på typeskiltet.



Værktøjet er dobbelt isoleret i henhold til EN 50144; jordledning er derfor ikke påkrævet.

Anvendelse af forlængerledning

Der skal bruges en forlængerledning svarende til maskinens strømforbrug (se de tekniske specifikationer). Den mindste lederstørrelse er 1,5 mm². Før brug kontrolleres forlængerledningen for tegn på skader, slid og ældning. Udskift forlængerledningen, hvis den bliver beskadiget eller defekt. Ved anvendelse af en kabeltromle, skal kablet altid vindes helt ud. Brug af et forlængerkabel, der ikke passer til værktøjets strøminput, eller som er beskadiget eller defekt, kan resultere i risiko for brand og elektrisk stød.

OVERSICHT (fig. A)

Dette værktøj har nogle af eller alle de følgende funktioner:

1. Afbryder med variabel hastighedskontrol (AST1, CD501, KR450RE, KR500(C)RE, KR510)
1. Afbryder (andre modeller)
2. Låseknop

3. Vælger med to hastigheder (KR502, KR532)
3. Frem/tilbage kontakt (andre modeller)
4. Valg af boremodus
5. Sidehåndtag
6. Nøgleløs borepatron
7. Borepatron med nøgle

MONTERING



Før man udfører nogen af nedenstående operationer, skal man sikre sig, at værktøjet er slukket og taget ud af stikkontakten.

Montering af sidehåndtaget (fig. B)

- ◆ Drej håndtaget (9) mod uret, indtil du kan skubbe sidehåndtaget (5) på værktøjets front som vist.
- ◆ Drej sidehåndtaget i den ønskede position.
- ◆ Stram sidehåndtaget ved at dreje håndtaget med uret.

Påsætning af borebit eller skruetrækkerbit

Nøgleløs borepatron (fig. C)

- ◆ Åbn patronen ved at dreje den forreste del (10) med den ene hånd, mens den bageste del (11) holdes med den anden.
- ◆ Sæt bit'ens stang (12) ind i patronen og stram patronen godt til.

Borepatron med nøgle (fig. D)

- ◆ Åbn patronen ved at dreje på manchetten (13).
- ◆ Sæt bit'ens stang (12) ind i patronen.
- ◆ Sæt patronnøglen (14) i hvert hul (15) i siden af patronen og drej indtil den er stram.

Udtagning og genindsætning af borepatronen (fig. E)

- ◆ Åbn borepatronen så meget som muligt.
- ◆ Fjern patronens fastholdelsesskrue ved at dreje den med uret med en skruetrækker.
- ◆ Stram en unbrakonøgle (16) ind i borepatronen og slå den med en hammer som vist.
- ◆ Fjern unbrakonøglen.
- ◆ Fjern borepatronen ved at dreje den mod uret.
- ◆ Sæt borepatronen på plads igen ved at skrue den på spindlen og låse den med borepatronens fastholdelsesskrue.

ANVENDELSE



- Lad maskinen arbejde i eget tempo. Det forhindrer den i at blive overbelastet.
- Før der bores i vægge, gulve eller lofter, checkes ledningers og rørs placering.

Valg af rotationsretning (fig. A)

- Ved boring og stramning af skruer skubbes frem/tilbage kontakten (7) fremad.
- For at løsne skruer eller fjerne en borebit, der har sat sig fast, skal frem/tilbage kontakten (7) skubbes tilbage.



Skift aldrig drejeretning, mens motoren kører.

Valg af boremodus (fig. A)

- For at bore i murværk sættes boremodusvælgeren (4) i **T** position.
- For at bore i andre materialer sættes boremodusvælgeren (4) i **A** position.

Start og stop (fig. A)

Kontakt til variabel hastighed

- Værktøjet tændes ved at trykke på kontakten til variabel hastighed (1). Værktøjets hastighed afhænger af, hvor langt ned man trykker kontakten. Brug som en generel regel lave hastigheder til borebits med stor diameter og høje hastigheder til borebits med mindre diameter.
- Værktøjet sættes til vedvarende drift ved at trykke på låseknappen (2) og løsne kontakten til variabel hastighed. Dette er kun muligt ved fuld hastighed.
- Sluk værktøjet ved at løsne kontakten til variabel hastighed. Sluk for værktøjet, mens det arbejder i vedvarende drift, ved at trykke kontakten til variabel hastighed ned én gang til og derefter løsne den.

Strømafbruger

- For at tænde værktøjet skal man trykke på afbryderen (1). Hvis værktøjet har en vælger med to hastigheder (3), sættes denne på det nødvendige hastighedsområde.

Brug som en generel regel lave hastigheder til borebits med stor diameter og høje hastigheder til borebits med mindre diameter.

- Værktøjet sættes til vedvarende drift ved at trykke på låseknappen (2) og løsne afbryderen.
- Sluk for værktøjet ved at slippe afbryderkontakten. Sluk for værktøjet, mens det arbejder i vedvarende drift, ved at trykke afbryderen ned én gang til og derefter løsne den.

Tilbehør

Værktøjets ydeevne afhænger af, hvilket tilbehør der bruges. Black & Decker- og Piranha-tilbehør er konstrueret, så det opfylder høje kvalitetsstandarder, og det er beregnet til at forbedre værktøjets ydeevne. Bruger du dette tilbehør, vil du få det allerbedste ud af værktøjet.

VEDLIGEHOLDELSE

Deres Black & Decker værktøj er designet til at være i drift gennem en længere periode med en minimal vedligeholdelse. Fortsat tilfredsstillende drift afhænger af en korrekt behandling af værktøjet samt regelmæssig rengøring.



Før udførelse af vedligeholdelsesarbejde, skal værktøjet slukkes og tages ud af stikkontakten.

MILJØ



Når dit værktøj er udtjent, beskyt da naturen ved ikke at smide det ud sammen med det almindelige affald. Aflever det til de opsamlingssteder, der findes i din kommune eller der hvor du købte værktøjet.

RESERVEDELE / REPARATIONER

Reserve dele kan købes hos autoriserede Black & Decker serviceværksteder, som giver forslag til omkostninger og reparerer vore produkter. Oversigt over vore autoriserede værksteder findes på internettet på vor hjemmeside www.blackdecker.dk samt www.2helpU.com.

GARANTI

Black & Decker garanterer, at produktet er fri for materielle skader og/eller fabrikations- fejl ved levering til kunden. Garantien er et tillæg til konsumentens lovlige rettigheder og påvirker ikke disse. Garantien gælder indenfor medlemsstaterne af den Europæiske Union og i det Europæiske Frihandelsområde.

Hvis et Black & Decker produkt går i stykker på grund af materiel skade og/eller fabrikationsfejl eller på anden måde ikke fungerer i overensstemmelse med specifikationen, inden for 24 måneder fra købsdatoen, påtager Black & Decker sig at reparere eller ombytte produktet med mindst muligt besvær for kunden.

Garantien gælder ikke for fejl og mangler, der er sket i forbindelse med:

- ◆ normal slitage
- ◆ uheldige følger efter unormal anvendelse af værktøjet
- ◆ overbelastning, hærværk eller overdrevent intensivt brug af værktøjet
- ◆ ulykkeshændelse

Garantien gælder ikke hvis reparationer er udført af nogen anden end et autoriseret Black & Decker værksted.

For at udnytte garantien skal produktet og købskvitteringen indleveres til forhandleren eller til et autoriseret værksted, senest 2 måneder efter at fejlen opdages. For information om nærmeste autoriserede værksted: kontakt det lokale Black & Decker kontor på den adresse som er opgivet i brugsanvisningen. Liste over alle autoriserede Black & Decker serviceværksteder samt servicevilkår er tilgængelig på internettet, på adressen www.2helpU.com.

ANDET GØR-DET-SELV VÆRKTØJ

Black & Decker har en lang række kvalitetsprodukter indenfor elværktøj og havemaskiner. Hvis De ønsker yderligere information omkring vore produkter, bedes De kontakte vore Service- og informationscentre (se adressesiden sidst i denne brugervejledning), eller kontakte Deres lokale Black & Decker forhandler.

Tekniske data

		CD200 KR400	KR420	KR450	KR450RE	KR510
Spænding	V_{AC}	230	230	230	230	230
Motoreffekt	W	400	420	450	450	500
Ubelastet hastighed	min ⁻¹	2.800	2.800	2.800	0-2,800	0-2,800

		CD501 AST1	KR500RE KR500CRE	KR500	KR502 KR532	KR531
Spænding	V_{AC}	230	230	230	230	230
Motoreffekt	W	500	500	500	500	500
Ubelastet hastighed	min ⁻¹	0-2.800	0-2.800	2.800	2,400/2,800	2,800

Maks. borekapacitet

		AST1 CD501CRE KR500(C)RE	KR510XC KR531 KR532	andre modeller
Stål/beton	mm	13	13	10
Træ	mm	20	20	20

Boremaskiner
Batteridrevne skruetrækkere
Batteridrevne boremaskiner/skruetrækkere
Slibemaskiner
Stiksage
Rundsage
Kap/geringssage
Vinkelslibere
Høvle
Fræsere
Batteridrevet multiværktøj
Multiværktøj med ledning
Varmluftpistoler
Arbejdsbænke

Vi har også en lang række tilbehør til ovenfor nævnte værktøj.

En del af produkterne findes ikke i alle lande.

PORAKONE AST1/CD200/CD501/KR400/KR420/ KR450/KR500/KR502/KR510/KR531/KR532


Kiitos, että olet valinnut Black & Decker -koneen. Toivomme, että nautit koneen käytöstä monen vuoden ajan.

CE- VAATIMUSTENMUKAISUUSVAKUUTUS

CE AST1/CD200/CD501/KR400/KR420/
KR450/KR500/KR502/KR510/KR531/KR532
Black & Decker vakuuttaa, että nämä
työkalut ovat
98/37/EC, 89/336/EEC, 73/23/EEC,
EN 50144, EN 55014, EN 61000 mukaiset.

Melutaso, mitattu EN 50144:n mukaisesti:

L_{pA} (äänenpaine)	dB(A)	91
L_{WA} (ääniteho)	dB(A)	104

 Käytä kuulosuojaimia, jos melutaso ylittää 85 dB(A).

Tärinätaajuuden painotettu geometrinen keskiarvo EN 50144 mukaisesti:

5,2 m/s²

K. Hewitt

Kevin Hewitt
Director of Consumer Engineering
Spennymore, County Durham DL16 6JG,
United Kingdom

KÄYTTÖTARKOITUS

Black & Deckerin porakone on tarkoitettu ruuvaamiseen sekä puun, metallin, muovin ja betonin poraamiseen.
Kone on tarkoitettu kotikäyttöön.

TURVALLISUUSOHJEET

Merkit

Tässä käyttöohjeessa käytetään seuraavia merkkejä:



Osoittaa henkilövahingon, hengenmenetyksen tai konevaurion vaaraa, mikäli käyttöohjeen neuvoja ei noudateta.



Osoittaa sähköiskun vaaraa.



Lue käyttöohje huolellisesti ennen koneen käyttöönottoa.

Tutustu koneeseen



- ♦ **Varoitus!** Sähkötyökaluja käytettäessä on aina noudatettava mm. seuraavia turvallisuusohjeita, jotta tulipalojen, sähköiskujen, henkilövahinkojen ja materiaalivaurioiden riski olisi mahdollisimman pieni.
- ♦ Varmista, että osaat sammuttaa koneen, ennen kuin käynnistät sen.
- ♦ Säilytä käyttöohje kaikkien koneen käyttäjien ulottuvilla.

Yleistä

- 1. Pidä työskentelyalue siistinä**
Poista roskat ja mahdolliset esteet työskentelyalueelta välttyäksesi vaurioilta.
- 2. Ajttele työskentelyalueen vaikutusta työhösi**
Älä altista sähkötyökaluja sateelle äläkä käytä niitä kosteissa tai märissä paikoissa. Järjestä työskentelyalueelle hyvä valaistus. Älä käytä konetta paikassa, jossa on tulipalo- tai räjähdysvaara, esim. palavien nesteiden tai kaasujen läheisyydessä.
- 3. Työskentele lasten ulottumattomissa**
Älä anna lasten, vieraiden tai eläinten tulla lähelle työskentelyaluetta tai koskea koneeseen tai sähköjohtoon.
- 4. Pukeudu asianmukaisesti**
Älä käytä liian väljiä vaatteita tai koruja. Ne voivat tarttua liikkuviin osiin. Käytä ulkona työskennellessäsi kumihansikkaita ja liukumattomia kenkiä. Jos sinulla on pitkät hiukset, käytä hiusverkkoa.
- 5. Suojavaatetus**
Käytä suojalaseja. Käytä kasvosuojaa, jos työskennellessä syntyy pölyä tai hiukkasia. Käytä kuulosuojaimia, jos melutaso tuntuu epämukavalta.
- 6. Suojaudu sähköiskuilta**
Vältä kosketusta maadoitettuihin pintoihin (esim. putket, lämpöpatterit, liedet ja jääkaapit). Sähköistä turvallisuutta voidaan parantaa käyttämällä erittäin herkkää (30 mA / 30 mS) vikavirtasuojaa.
- 7. Älä kurottele**
Seiso aina tukevasti ja tasapainossa.
- 8. Ole tarkkaavainen**
Keskeytä työhösi. Käytä tervettä järkeä. Älä käytä sähkötyökaluja, kun olet väsynyt.
- 9. Kiinnitä työstökappale kunnolla**
Käytä ruuvipuristinta tai -kappaletta, jotta työstökappale pysyy kunnolla kiinni. Näin saat molemmat kädet vapaaksi työhön.
- 10. Liitä pölynpoistolaitte**
Jos koneessa on liitäntä pölynpoisto- ja pölynkeräyslaitteistolle tulee sellainen kiinnittää ja käyttää oikein.
HUOM! Liitä koneeseen ainoastaan teollisuuspölynimuri.

11. Poista avaimet

Poista säätöavaimet ja asennustyökalut koneesta ennen kuin käynnistät sen.

12. Jatkojohdot

Tarkista jatkojohto ennen käyttöä, ja vaihda vaurioitunut johto uuteen. Käytettäessä konetta ulkona tulee käyttää vain ulkokäyttöön soveltuvia jatkojohtoja.

13. Käytä oikeaa konetta

Käytä konetta ainoastaan sellaiseen työhön, johon se on tarkoitettu. Käytä vain käyttöohjeessa ja tuotekuvastossa suositeltuja tarvikkeita ja lisälaitteita. Jonkin muun laitteen käyttö voi aiheuttaa onnettomuuden.

Älä yliuormita konetta.

Varoitus! Ohjeesta poikkeava käyttö voi aiheuttaa onnettomuuden.

14. Tarkista, että kone on kunnossa

Tarkista ennen käyttöä, ettei kone tai sähköjohto ole vaurioitunut. Tarkista, etteivät liikkuvat ja muut osat sekä suoja ole viallisia, ja että kaikki muut käyttöön mahdollisesti vaikuttavat tekijät ovat kunnossa. Varmista, että kone toimii oikein ja täyttää tehtävänsä. Älä käytä konetta, jos jokin sen osista on viallinen tai se ei käynnisty ja pysähdy virrankatkaisijasta. Viallinen osa tulee korjata tai vaihtaa valtuutetussa Black & Deckerin huoltoliikkeessä. Älä koskaan yritä korjata konetta itse.

15. Irrota kone virtalähteestä

Irrota kone virtalähteestä, kun konetta ei käytetä, ennen minkään koneen osan, tarvikkeen tai lisävarusteen vaihtamista, sekä ennen huoltoa.

16. Vältä tahatonta käynnistämistä

Älä koskaan kanno konetta sormet kiinni virrankatkaisijassa. Varmista, että kone on pois päältä, ennen kuin kytket sen virtalähteeseen.

17. Huolehdi johdon kunnosta

Älä koskaan kanno konetta johdosta äläkä irrota pistoketta virtalähteestä vetämällä johdosta. Suojaa johto kuumuudelta, öljyltä ja teräviltä reunoilta.

18. Säilytä konetta oikein

Kun konetta ei käytetä, säilytä sitä kuivassa, lukitussa paikassa tai korkealla lasten ulottumattomissa.

19. Hoida työkalua huolellisesti

Pidä työkalu puhtaana ja käytä teräviä teriä tehokasta ja turvallista työskentelyä varten. Noudata huollosta ja tarvikkeiden vaihdosta annettuja ohjeita. Pidä virrankatkaisija ja kädensijat kuivina ja puhtaina öljystä ja rasvasta.

20. Korjaukset

Tämä kone täyttää voimassa olevat turvallisuusvaatimukset. Korjauksia saa tehdä vain Black & Deckerin valtuuttama huoltoliike, joka käyttää alkuperäisosa. Muussa tapauksessa käyttäjä saattaa joutua vaaratilanteeseen.

SÄHKÖINEN TURVALLISUUS

Sähkämoottori on suunniteltu käytettäväksi vain yhdellä jännitteellä. Tarkista aina, että virtälähde vastaa arvokilvessä ilmoitettua jännitettä.



Kone on kaksoiseristetty EN 50144:n mukaisesti; siksi ei tarvita erillistä maadoitusta.

Jatkojohdon käyttö

Käytä hyväksyttyä jatkojohtoa, joka sopii työkalun virran käyttöön (katso tekniset tiedot).

Tarkista jatkojohto ennen käyttöä vaurioiden, vanhenemisen tai kulumisen varalta. Vaihda vaurioitunut tai viallinen jatkojohto. Jos käytät jatkojohtokelaa, kelaa johto aina täysin auki.

Käytettäessä jatkojohtoa, joka ei vastaa koneen tehoa tai joka on viallinen, voi aiheutua tulipalo tai sähköisku.

YLEISKUVAUS (kuva A)

Tällä koneella on kaikki tai osa seuraavista ominaisuuksista.

1. Virrankatkaisija portaattomalla nopeudensäädöllä (AST1, CD501, KR450RE, KR500(C)RE, KR510)
1. Virrankatkaisija (muuta malleja)
2. Lukitusnappi
3. Kaksiasentoinen nopeudensäädin (KR502, KR532)
3. Suunnanvaihtokytkin (muuta malleja)
4. Poraustavan valitsin
5. Sivukahva
6. Pikaistukka
7. Avainistukka

KOKOAMINEN



Ennen kuin ryhdyt mihinkään seuraavista toimista, varmistu siitä, että työkalu on sammutettu eikä sitä ole liitetty virtälähteeseen.

Sivukahvan kiinnittäminen (kuva B)

- ◆ Kierrä kädensijaa (9) vastapäivään, kunnes voit työntää sivukahvan (5) koneeseen kuvan osoittamalla tavalla.
- ◆ Käännä sivukahva haluttuun asentoon.
- ◆ Kiristä sivukahva kiertämällä kädensijaa myötäpäivään.

Poranterän ja ruuvitaltan asennus

Pikaistukka (kuva C)

- ◆ Avaa istukka kiertämällä etuosaa (10) toisella kädellä samalla kun pidät takaosasta (11) kiinni toisella kädellä.
- ◆ Laita tarvike (12) istukkaan ja kiristä kunnolla.

Avainistukka (kuva D)

- ◆ Avaa istukka kiertämällä holkkia (13).
- ◆ Laita tarvike (12) istukkaan.
- ◆ Laita istukan avain (14) vuorotellen jokaiseen istukassa olevaan reikään (15) ja kiristä kunnolla.

Istukan poisto ja kiinnitys (kuva E)

- ◆ Avaa istukkaa niin paljon kuin mahdollista.
- ◆ Poista istukan kiristysruuvi kiertämällä sitä myötäpäivään ruuvimeisselillä.
- ◆ Kiristä kuusiokoloavain (16) istukkaan ja lyö sitä kevyesti vasaralla kuvan osoittamalla tavalla.
- ◆ Poista kuusiokoloavain.
- ◆ Poista istukka kiertämällä sitä vastapäivään.
- ◆ Kiinnittääksesi istukan uudelleen ruuvaa se karaan ja lukitse kiristysruuvilla.

KÄYTTÖ



- ◆ Anna koneen käydä omaan tahtiinsa. Älä ylikuormita sitä.
- ◆ Ennen seinien, lattioiden tai kattojen poraamista tarkista sähköjohtojen ja putkistojen sijainnit.

Pyörimissuunnan valitseminen (kuva A)

- Poraamista ja ruuvien kiristämistä varten työnnä suunnanvaihtokytkintä (7) eteenpäin.
- Ruuvien tai jumittuneen terän irrottamista varten työnnä suunnanvaihtokytkintä (7) taaksepäin.



Älä koskaan vaihda pyörimissuuntaa koneen käydessä.

Poraustavan valinta (kuva A)

- Porattaessa betonia tulee poraustavan valitsimen (4) olla kuvan **T** kohdalla.
- Porattaessa muita materiaaleja tai ruuvattaessa tulee poraustavan valitsimen olla kuvan (4) **J** kohdalla.

Käynnistys ja pysäytys (kuva A)

Virranksaisija portaattomalla nopeudensäädöllä

- Käynnistä kone painamalla virranksaisijaa (1). Koneen nopeus riippuu siitä, kuinka paljon virranksaisijaa painetaan. Käytä alhaista nopeutta poratessasi terillä, joiden halkaisija on suuri ja suurta nopeutta, kun terän halkaisija on pieni.
- Lukitaksesi virranksaisijan jatkuvaa toimintaa varten paina lukitusnappia (2) ja päästä irti virranksaisijasta. Tämä toiminto on mahdollinen vain täydellä nopeudella.
- Sammuta kone päästämällä irti virranksaisijasta (1). Sammuttaaksesi koneen, jossa on virranksaisijan lukitsin päällä, paina virranksaisijaa vielä kerran ja päästä siitä irti.

Virranksaisija

- Kytke kone päälle painamalla virranksaisijaa (1). Jos koneessa on kaksiasentoinen nopeudensäädin (3), aseta se haluamasi nopeusalueen kohdalle. Käytä alhaista nopeutta poratessasi terillä, joiden halkaisija on suuri ja suurta nopeutta, kun terän halkaisija on pieni.
- Lukitaksesi virranksaisijan jatkuvaa toimintaa varten paina lukitusnappia (2) ja päästä irti virranksaisijasta.
- Sammuta kone päästämällä irti virranksaisijasta. Sammuttaaksesi koneen, jossa on virranksaisijan lukitsin päällä, paina virranksaisijaa vielä kerran ja päästä siitä irti.

Tarvikkeet

Koneen käyttöalue riippuu käytettävistä tarvikkeista. Black & Decker- ja Piranha -tarvikkeet ovat korkealaatuisia. Käyttämällä näitä tarvikkeita saat koneestasi irti parhaan mahdollisen.

HUOLTO

Black & Deckerin kone on suunniteltu toimimaan mahdollisimman pitkän aikaa mahdollisimman vähällä huollolla. Oikealla huollolla ja säännöllisellä puhdistuksella kone säilyttää suorituskykynsä.



Ennen huoltoa ja puhdistusta tulee koneen olla pois päältä ja pistokkeen irti virtalähteestä.

YMPÄRISTÖ



Kun koneesi on käytetty loppuun, älä heitä sitä tavallisten roskien mukana pois, vaan vie se paikkakuntasi kierrätyskeskukseen tai jätä valtuutettuun Black & Deckerin huoltoliikkeeseen.

KORJAUKSET / VARAOSAT

Mikäli koneeseen tulee vikaa, jätä se aina Black & Deckerin valtuuttamaan huoltoliikkeeseen korjattavaksi (tiedot löytyvät uusimmasta tuoteluettelostamme tai ottamalla yhteyttä Black & Decker Oy:hyn). Varaosia myyvät valtuutetut Black & Deckerin huoltoliikkeet, ja heiltä voi myös pyytää kustannusarvion koneen korjauksesta.

Tiedot valtuutetuista huoltoliikkeistä löytyvät myös internetistä osoitteesta www.2helpU.com sekä kotisivuiltamme www.blackdecker.fi.

TAKUU

Black & Decker Oy takaa, ettei koneessa ollut materiaali- ja/tai valmistusvikaa silloin, kun se toimitettiin ostajalle. Takuu on lisäys kuluttajan laillisiin oikeuksiin eikä vaikuta niihin. Takuu on voimassa Euroopan Unionin jäsenmaissa ja Euroopan vapaakauppa-alueella (EFTA).

Mikäli Black & Decker -kone hajoaa materiaali- ja/ tai valmistusvirheen tai teknisten tietojen epätarkkuuden vuoksi 24 kk:n kuluessa ostopäivästä, Black & Decker korjaa koneen ilman kustannuksia ostajalle tai vaihtaa sen uuteen Black & Decker Oy:n valinnan mukaan.

Takuu ei kata vikoja, jotka johtuvat koneen

- normaalista kulumisesta
- ylikuormituksesta, virheellisestä käytöstä tai hoidosta
- vahingoittamisesta vieraalla esineellä tai aineella tai onnettomuustapauksessa.

Takuu ei ole voimassa, mikäli konetta on korjannut joku muu kuin Black & Deckerin valtuuttama huoltoliike.

Edellytyksenä takuun saamiselle on, että ostaja jättää koneen ja ostokuitin jälleenmyyjälle tai valtuutetulle huoltoliikkeelle viimeistään 2 kuukauden kuluessa vian ilmenemisestä. Tiedot valtuutetuista huoltoliikkeistä saa ottamalla yhteyttä Black & Decker Oy:hyn sekä internetistä osoitteesta www.2helpU.com, jossa on myös takuehdot.

■ MUITA TYÖKALUJA

Black & Deckerillä on laaja valikoima työkaluja, jotka helpottavat nikkarointitöitä. Lisätietoja alla olevista tuotteista saat Black & Deckerin jälleenmyyjältä tai kotisivuiltamme www.blackdecker.fi.

Porakoneet
 Akkukäyttöiset ruuvinvääntimet
 Akkukäyttöiset porakoneet/ruuvinvääntimet
 Hiomakoneet
 Pistosahat
 Pyörösahat
 Katkaisu- ja jiirisahat
 Hiomakoneet
 Höylät
 Yläjyrsimet
 Monitoimityökalut
 Kuumailmapistoolit
 Yleistyöpenkit

Black & Deckerillä on myös laaja valikoima tarvikkeita yllä oleville työkaluille.

Tekniset tiedot

		CD200 KR400	KR420	KR450	KR450RE	KR510
Jännite	V _{AC}	230	230	230	230	230
Ottoteho	W	400	420	450	450	500
Kuormittamaton nopeus	min ⁻¹	2.800	2.800	2.800	0-2,800	0-2,800

		CD501 AST1	KR500RE KR500CRE	KR500	KR502 KR532	KR531
Jännite	V _{AC}	230	230	230	230	230
Ottoteho	W	500	500	500	500	500
Kuormittamaton nopeus	min ⁻¹	0-2.800	0-2.800	2.800	2,400/2,800	2,800

Max. porausteho

		AST1 CD501CRE KR500(C)RE	KR510XC KR531 KR532	muita malleja
Teräs/betoni	mm	13	13	10
Puu	mm	20	20	20

ΔΡΑΠΑΝΟ AST1/CD200/CD501/KR400/KR420/ KR450/KR500/KR502/KR510/KR531/KR532

ΣΥΓΧΑΡΗΤΗΡΙΑ!

Έχετε επιλέξει ένα εργαλείο της Black & Decker. Στόχος μας είναι να σας προσφέρουμε εργαλεία ποιότητας σε προσιτές τιμές. Ευελπιστούμε ότι θα απολαύσετε τη χρήση αυτού του εργαλείου για πολλά χρόνια.

ΔΗΛΩΣΗ ΣΥΜΜΟΡΦΩΣΗΣ ΕΚ



AST1/CD200/CD501/KR400/KR420/
KR450/KR500/KR502/KR510/KR531/KR532
Black & Decker δηλώνει ότι αυτά τα ηλεκτρικά εργαλεία σχεδιάστηκαν σύμφωνα με:
98/37/ΕΟΚ, 89/336/ΕΟΚ, 73/23/ΕΟΚ,
EN 50144, EN 55014, EN 61000

Ανώτατο όριο ηχητικής πίεσης, μέτρηση κατά EN 50144:

L_{pA}	(ηχητική πίεση)	dB(A)	91
L_{WA}	(ακουστική δύναμη)	dB(A)	104



Λάβετε τα ενδεδειγμένα μέτρα προστασίας σε περίπτωση που η ακουστική πίεση υπερβαίνει τα 85 dB(A).

Ο σταθμισμένος τετραγωνικός μέσος όρος επιτάχυνσης κατά EN 50144:

5,2 m/s²

Kevin Hewitt

Διευθυντής μηχανολογίας
Spennymoor, County Durham DL16 6JG,
United Kingdom

ΕΝΔΕΔΕΙΓΜΕΝΗ ΧΡΗΣΗ

Το τρυπάνι Black & Decker έχει σχεδιαστεί για διάτρηση σε ξύλο, μέταλλο, πλαστικά και μαλακή τοιχοποιία, καθώς και για εφαρμογές βιδώματος. Αυτό το εργαλείο προορίζεται μόνο για ερασιτεχνική χρήση.

ΟΔΗΓΙΕΣ ΑΣΦΑΛΕΙΑΣ

Σύμβολα ασφαλείας

Στις παρούσες οδηγίες χρησιμοποιούνται τα ακόλουθα σύμβολα:



Συμβολίζει κίνδυνο τραυματισμού ή θανάτου ή βλάβης του εργαλείου σε περίπτωση που δεν τηρηθούν οι οδηγίες χρήσεως.



Συμβολίζει ηλεκτρική τάση.



Πριν χρησιμοποιήσετε το εργαλείο διαβάστε το παρόν εγχειρίδιο προσεκτικά.

Γνωρίζετε το εργαλείο



- ♦ **Προσοχή!** Κατά τη χρήση εργαλείων που τροφοδοτούνται με ηλεκτρικό ρεύμα, θα πρέπει πάντα να λαμβάνονται οι βασικές προφυλάξεις ασφαλείας, για τον περιορισμό του κινδύνου πυρκαγιάς, ηλεκτροπληξίας, σωματικών βλαβών και υλικών ζημιών.
- ♦ Πριν χρησιμοποιήσετε το εργαλείο διαβάστε προσεκτικά τις παρακάτω οδηγίες.
- ♦ Πριν χρησιμοποιήσετε το εργαλείο αυτό, βεβαιωθείτε ότι γνωρίζετε πώς να σβήσετε το εργαλείο σε περίπτωση έκτακτης ανάγκης.
- ♦ Φυλάξτε τις οδηγίες καλά.

Γενικά**1. Διατηρείτε καθαρό το χώρο εργασίας**

Ακατάστατοι χώροι και πάγκοι εγκυμονούν κίνδυνο τραυματισμού.

2. Λάβετε υπ' όψη τις επιδράσεις του περιβάλλοντος

Μην εκθέτετε ηλεκτρικά εργαλεία σε υγρασία. Φροντίστε η περιοχή εργασίας να είναι καλά φωτισμένη. Μη χρησιμοποιείτε το εργαλείο αν υπάρχει κίνδυνος να προκληθεί πυρκαγιά ή έκρηξη, π.χ. κοντά σε εύφλεκτα υγρά και αέρια.

3. Κρατάτε τα παιδιά σε απόσταση

Μην επιτρέπετε σε παιδιά, επισκέπτες ή ζώα να πλησιάζουν στο χώρο εργασίας ή να αγγίζουν το εργαλείο ή το καλώδιο τροφοδοσίας.

4. Φοράτε τα κατάλληλα ρούχα εργασίας

Μη φοράτε φαρδιά ρούχα ή κοσμήματα. Υπάρχει πιθανότητα να πιαστούν σε κινούμενα μέρη μηχανών. Για υπαίθριες εργασίες συνιστώνται λαστιχένια γάντια και υποδήματα που δε γλιστρούν. Εάν έχετε μακριά μαλλιά φοράτε προστατευτικό διχτάκι.

5. Ατομική προστασία

Φορέστε προστατευτικά γυαλιά. Φορέστε μάσκα προσώπου ή προστασίας από τη σκόνη, στις περιπτώσεις που η εργασία ενδέχεται να προκαλέσει την παραγωγή σκόνης ή αιωρούμενων σωματιδίων. Φοράτε ωτασπίδες σε περιπτώσεις που η στάθμη του θορύβου σας προκαλεί δυσφορία.

6. Λάβετε τις κατάλληλες προφυλάξεις για το ενδεχόμενο ηλεκτροπληξίας

Αποφύγετε τη σωματική επαφή με γειωμένες ή συνδεδεμένες με το έδαφος επιφάνειες (π.χ. σωλήνες, ψυγεία, βραστήρες και ψυγεία). Η ηλεκτρική ασφάλεια μπορεί να βελτιωθεί αν χρησιμοποιηθεί συσκευή παραμένοντος ρεύματος (RCD) υψηλής ευαισθησίας (30 mA / 30 mS).

7. Μη σκύβετε πάρα πολύ

Φροντίστε πάντοτε να έχετε την κατάλληλη στάση και να διατηρείτε την ισορροπία σας.

8. Να είστε πάντα προσεκτικοί

Παρακολουθείτε την εργασία σας. Ενεργείτε λογικά. Μη χρησιμοποιείτε το εργαλείο όταν είστε κουρασμένος.

9. Στηρίξτε με ασφαλή τρόπο το αντικείμενο στο οποίο εργάζεστε

Χρησιμοποιείτε σφιγκτήρες ή μέγγενη για το σκοπό αυτό. Η μέθοδος αυτή είναι ασφαλέστερη και ελευθερώνει και τα δύο σας χέρια για το χειρισμό του εργαλείου.

10. Συνδέστε τη συσκευή αφαίρεσης σκόνης

Εάν παρέχονται συσκευές για τη σύνδεση συσκευών αφαίρεσης και συλλογής σκόνης, βεβαιωθείτε ότι η σύνδεση και η χρήση τους γίνεται με τον ενδεδειγμένο τρόπο.

11. Απομακρύνετε από το μηχάνημα τα κλειδιά που χρησιμοποιείτε για τη ρύθμισή του

Πριν βάλετε σε λειτουργία το εργαλείο, βεβαιωθείτε πάντα ότι έχετε βγάλει από αυτό τα κλειδιά για τη ρύθμισή του.

12. Καλώδια επιμήκυνσης

Πριν τη χρήση, επιθεωρήστε το καλώδιο επιμήκυνσης και αντικαταστήστε το, αν έχει φθαρεί. Εάν χρησιμοποιείτε τη συσκευή σε υπαίθριο χώρο, χρησιμοποιείτε μόνο καλώδια επιμήκυνσης κατάλληλα για χρήση σε υπαίθριο χώρο.

13. Χρησιμοποιείτε το σωστό εργαλείο

Η ενδεδειγμένη χρησιμοποίηση αναφέρεται σε αυτές τις οδηγίες χρήσεως. Μη χρησιμοποιείτε εργαλεία χαμηλής ισχύος ή προσθήκες για βαριές εργασίες. Το εργαλείο σας θα λειτουργήσει επιτυχέστερα και ασφαλέστερα εάν χρησιμοποιηθεί σύμφωνα με της προδιαγραφές του. Μη ζορίζετε το εργαλείο.

Προσοχή! Τόσο η χρήση εξαρτημάτων ή προσθηκών όσο και η πραγματοποίηση εργασιών που δεν συνιστώνται στις οδηγίες αυτές εγκυμονεί κίνδυνο τραυματισμού.

14. Ελέγχετε εάν το εργαλείο σας έχει θλάβες

Πριν από τη χρήση, ελέγξτε προσεκτικά το εργαλείο και το καλώδιο τροφοδοσίας για τυχόν ζημιές. Ελέγξτε για τυχόν κακή ευθυγράμμιση και εμπλοκή των κινούμενων μερών, για μέρη που έχουν σπάσει, για τυχόν ζημιές στους προφυλακτήρες και τους διακόπτες, και γενικά κάθε είδους συνθήκες οι οποίες ενδέχεται να επηρεάσουν τη λειτουργία του εργαλείου. Βεβαιωθείτε ότι το εργαλείο λειτουργεί κανονικά και χρησιμοποιείται για το σκοπό για τον οποίο προορίζεται.

Μη χρησιμοποιείτε το εργαλείο αν κάποιο εξάρτημά του παρουσιάζει ελάττωμα. Μη χρησιμοποιείτε το εργαλείο, εάν ο διακόπτης δεν μπορεί να το θέσει εντός ή εκτός λειτουργίας. Φροντίστε για την επισκευή ή αντικατάσταση τυχόν ελαττωματικών εξαρτημάτων από εξουσιοδοτημένο κέντρο επισκευών. Ποτέ μην επιχειρήσετε να επισκευάσετε οι ίδιοι το εργαλείο.

15. Βγάλτε το εργαλείο από την πρίζα

Βγάλτε το εργαλείο από την πρίζα όταν το εργαλείο δεν χρησιμοποιείται, προτού αλλάξετε οποιοδήποτε ανταλλακτικό, παρελκόμενο ή εξάρτημα του εργαλείου, και πριν από τη συντήρησή του.

16. Αποφύγετε την τυχαία εκκίνηση του εργαλείου

Μη μεταφέρετε το εργαλείο έχοντας το δάκτυλό σας πάνω στο διακόπτη εκκίνησης. Όταν βάζετε την πρίζα, βεβαιωθείτε ότι ο διακόπτης του εργαλείου είναι κλειστός.

17. Μην κακομεταχειρίζεστε το καλώδιο

Ποτέ μη μεταφέρετε το εργαλείο κρατώντας το από το καλώδιο και μην το τραβάτε από το καλώδιο για να το βγάλετε από την πρίζα. Φροντίστε το καλώδιο να παραμένει μακριά από τη θερμότητα, τα λάδια και από αιχμηρές ακμές.

18. Φυλάγετε τα εργαλεία σας σε ασφαλές μέρος

Ηλεκτρικά εργαλεία που δεν χρησιμοποιούνται πρέπει να φυλάσσονται σε στεγνούς, κλειστούς χώρους ή σε μεγάλο ύψος, μακριά από παιδιά.

19. Συντηρήστε προσεκτικά τα εργαλεία

Φροντίστε τα εργαλεία σας να είναι κοφτερά και καθαρά, ώστε να προσφέρουν υψηλή απόδοση και ασφάλεια κατά τη χρήση τους. Ακολουθήστε τις σχετικές οδηγίες σε ότι αφορά τη συντήρηση και την αλλαγή των εξαρτημάτων. Φροντίστε οι λαβές και οι διακόπτες να είναι στεγνοί, καθαροί και χωρίς λάδια ή γράσα.

20. Επισκευές

Το εργαλείο αυτό συμμορφώνεται με τις σχετικές προϋποθέσεις ασφαλείας. Οι επισκευές θα πρέπει να γίνονται μόνο από ειδικευμένους τεχνικούς και με τη χρήση αποκλειστικά γνήσιων ανταλλακτικών, διαφορετικά υπάρχει το ενδεχόμενο σοβαρού κινδύνου για το χρήστη.

ΗΛΕΚΤΡΙΚΗ ΑΣΦΑΛΕΙΑ

Το ηλεκτρικό μοτέρ είναι σχεδιασμένο να λειτουργεί σε μία και μόνο τάση. Ελέγχετε πάντοτε αν η τάση τροφοδοσίας αντιστοιχεί σε αυτήν που αναγράφεται στην πλακέτα του εργαλείου.



Το εργαλείο φέρει διπλή μόνωση κατά EN 50144. Κατά συνέπεια δε χρειάζεται καλώδιο γείωσης.

Χρήση καλωδίου επέκτασης

Χρησιμοποιήστε εγκεκριμένο καλώδιο επέκτασης κατάλληλο για την απορροφούμενη ηλεκτρική ισχύ αυτού του εργαλείου (δείτε τα τεχνικά στοιχεία). Η ελάχιστη διατομή του αγωγού είναι 1,5 mm². Πριν από τη χρήση, επιθεωρήστε προσεκτικά το καλώδιο επιμήκυνσης για σημάδια ζημιάς, φθοράς και παλαίωσης. Αντικαταστήστε το καλώδιο επέκτασης αν είναι κατεστραμμένο ή ελαττωματικό. Όταν χρησιμοποιείτε καρούλι καλωδίου, πάντα ξετυλίγετε τελειώς το καλώδιο. Η χρήση καλωδίου επιμήκυνσης που είναι ακατάλληλο για την απαιτούμενη ισχύ του εργαλείου ή που έχει καταστραφεί ή είναι ελαττωματικό μπορεί να αποτελέσει κίνδυνο πυρκαϊάς και ηλεκτροπληξίας.

ΓΕΝΙΚΗ ΠΕΡΙΓΡΑΦΗ (εικ. Α)

Το εργαλείο περιλαμβάνει όλα ή ορισμένα από τα εξής χαρακτηριστικά:

1. Διακόπτης μεταβλητής ταχύτητας (AST1, CD501, KR450RE, KR500(C)RE, KR510)
1. Διακόπτης on/off (άλλα μοντέλα)
2. Πλήκτρο ασφάλισης
3. Διακόπτης επιλογής δύο ταχυτήτων (KR502, KR532)
3. Διακόπτη εμπρός / πίσω (άλλα μοντέλα)
4. Διακόπτη επιλογής κατάστασης διάτρησης
5. Πλευρική λαβή
6. Τσοκ χωρίς κλειδί
7. Τσοκ με κλειδί

ΣΥΝΑΡΜΟΛΟΓΗΣΗ



Πριν από οποιαδήποτε από τις παρακάτω διαδικασίες, βεβαιωθείτε ότι το εργαλείο είναι εκτός λειτουργίας και ότι δεν είναι στην πρίζα.

Τοποθέτηση της πλευρικής λαβής (εικ. Β)

- ♦ Στρέψτε τη λαβή (9) αριστερόστροφα μέχρι να μπορείτε να ολισθήσετε την πλευρική λαβή (5) στο εμπρόσθιο τμήμα του εργαλείου όπως φαίνεται στην εικόνα.
- ♦ Περιστρέψτε την πλευρική λαβή σε όποια θέση θέλετε.
- ♦ Σφίξτε την πλευρική λαβή στρέφοντάς την δεξιόστροφα.

Τοποθέτηση τρυπανιού ή μύτης καταβιδιού.**Τσοκ χωρίς κλειδί (εικ. C)**

- ♦ Ανοίξτε στο τσοκ, γυρίζοντας το μπροστινό μέρος του (10) με το ένα χέρι και ταυτόχρονα κρατώντας το πίσω μέρος (11) με το άλλο.
- ♦ Εισάγετε τον άξονα της μύτης (12) μέσα στο τσοκ και σφίξτε το καλά.

Τσοκ με κλειδί (εικ. D)

- ♦ Ανοίξτε το τσοκ στρέφοντας τον εξωτερικό δακτύλιο (13).
- ♦ Εισάγετε τον άξονα της μύτης (12) μέσα στο τσοκ.
- ♦ Εισάγετε το κλειδί του τσοκ (15) σε κάθε οπή (15) στο πλάι του τσοκ και στρέψτε το μέχρι να ασφαλίσει.

Αφαίρεση και επανατοποθέτηση του τσοκ (εικ. E)

- ♦ Ανοίξτε το τσοκ όσο το δυνατόν περισσότερο.
- ♦ Αφαιρέστε τη βίδα συγκράτησης του τσοκ στρέφοντάς τη δεξιόστροφα με ένα καταβίδι.
- ♦ Προσαρμόστε ένα κλειδί Allen (16) στο τσοκ και χτυπήστε το με ένα σφυρί, όπως φαίνεται στη φωτογραφία.
- ♦ Απομακρύνετε το κλειδί Allen.
- ♦ Αφαιρέστε το τσοκ στρέφοντάς το αριστερόστροφα.
- ♦ Για να επανατοποθετήσετε το τσοκ, βιδώστε το στον άξονα και ασφαλίστε το με τη βίδα συγκράτησης.

ΧΡΗΣΗ

- ♦ Αφήστε το εργαλείο να λειτουργήσει στο δικό του ρυθμό και μην το υπερφορτώνετε.

- ♦ Πριν από τη διάτρηση τοίχων, δαπέδων ή οροφών, εντοπίστε τις θέσεις όπου βρίσκονται καλώδια και σωληνώσεις.

Επιλογή της κατεύθυνσης περιστροφής (εικ. A)

- ♦ Για διάτρηση και σύσφιξη βιδών, ολισθήστε τον διακόπτη εμπρός/πίσω (7) προς τα εμπρός.
- ♦ Για το λύσιμο βιδών ή για να αφαιρέσετε τρυπάνι που έχει κολλήσει, ολισθήστε τον διακόπτη εμπρός/πίσω (7) προς τα πίσω.



Ποτέ μην αλλάζετε την κατεύθυνση της περιστροφής ενώσω ο κινητήρας είναι σε λειτουργία.

Επιλογή κατάστασης διάτρησης (εικ. A)

- ♦ Για διάτρηση σε τοιχοποιία, ρυθμίστε τον διακόπτη επιλογής κατάστασης διάτρησης (4) στη θέση **T**.
- ♦ Για διάτρηση σε άλλα υλικά και για εφαρμογές καταβιδιού, ρυθμίστε τον διακόπτη επιλογής κατάστασης διάτρησης (4) στη θέση **2**.

Θέση εντός και εκτός λειτουργίας (εικ. A)**Διακόπτη μεταβλητής ταχύτητας**

- ♦ Για να θέσετε σε λειτουργία το εργαλείο, πατήστε το διακόπτη ρυθμιζόμενης ταχύτητας (1). Η ταχύτητα του εργαλείου εξαρτάται από το βαθμό που θα πατήσετε το διακόπτη. Γενικά, να χρησιμοποιείτε χαμηλή ταχύτητα με μύτες τρυπανιού μεγάλης διαμέτρου και υψηλές ταχύτητες με μύτες τρυπανιού μικρής διαμέτρου.
- ♦ Για διαρκή λειτουργία, πατήστε το κουμπί ασφάλισης (2) και απελευθερώστε τον διακόπτη ρύθμισης ταχύτητας. Η επιλογή είναι διαθέσιμη μόνο σε λειτουργία μέγιστης ταχύτητας.
- ♦ Για να σβήσετε το εργαλείο, απελευθερώστε το διακόπτη ρυθμιζόμενης ταχύτητας. Για να σβήσετε το εργαλείο όταν βρίσκεται σε κατάσταση συνεχόμενης λειτουργίας, πατήστε μία φορά το διακόπτη ρυθμιζόμενης ταχύτητας και ύστερα αφήστε τον.

Διακόπτης On/off

- ♦ Για να θέσετε σε λειτουργία το εργαλείο, πατήστε το διακόπτη on/off (1). Αν το εργαλείο διαθέτει διακόπτη επιλογής δύο ταχυτήτων (3), ρυθμίστε το στην επιθυμητή κλίμακα ταχύτητας. Γενικά, να χρησιμοποιείτε χαμηλή ταχύτητα με μύτες τρυπανιού μεγάλης διαμέτρου και υψηλές ταχύτητες με μύτες τρυπανιού μικρής διαμέτρου.
- ♦ Για διαρκή λειτουργία, πατήστε το κουμπί ασφάλισης (2) και απελευθερώστε τον διακόπτη on/off.
- ♦ Για να σβήσετε το εργαλείο, αφήστε το διακόπτη on/off. Για να σβήσετε το εργαλείο όταν βρίσκεται σε κατάσταση συνεχόμενης λειτουργίας, πατήστε μία φορά το διακόπτη on/off και ύστερα αφήστε τον.

Εξαρτήματα

Η απόδοση του εργαλείου σας εξαρτάται από τα εξαρτήματα που χρησιμοποιείτε. Τα εξαρτήματα Black & Decker και Piranha είναι σχεδιασμένα σύμφωνα με πρότυπα υψηλής ποιότητας για να βελτιώνουν την απόδοση του εργαλείου σας. Χρησιμοποιώντας τα θα επιτύχετε τη βέλτιστη απόδοση του εργαλείου.

ΣΥΝΤΗΡΗΣΗ

Αυτό το εργαλείο της Black & Decker έχει σχεδιαστεί έτσι ώστε να λειτουργεί για μεγάλο χρονικό διάστημα με την ελάχιστη δυνατή φροντίδα. Η αδιάλειπτη και κανονική λειτουργία του εξαρτάται από τη φροντίδα του εργαλείου και τον τακτικό καθαρισμό του.



Πριν από την εκτέλεση εργασιών συντήρησης στο εργαλείο, θα πρέπει να το σβήσετε και να το βγάλετε από την πρίζα.

ΠΡΟΣΤΑΣΙΑ ΤΟΥ ΠΕΡΙΒΑΛΛΟΝΤΟΣ

Η Black & Decker δίνει τη δυνατότητα ανακύκλωσης των προϊόντων της που έχουν συμπληρώσει τη διάρκεια ζωής τους. Η υπηρεσία αυτή είναι δωρεάν.

Αν θέλετε να χρησιμοποιήσετε την εν λόγω υπηρεσία, επιστρέψτε το προϊόν σας σε οποιοδήποτε εξουσιοδοτημένο κέντρο επισκευών, όπου θα το παραλάβουν εκ μέρους σας.

Ενημερωθείτε για το πλησιέστερο κέντρο επισκευών της περιοχής σας, επικοινωνώντας με τα γραφεία της Black & Decker στη διεύθυνση που αναγράφεται στο εγχειρίδιο. Επίσης, για να πληροφορηθείτε για τα εξουσιοδοτημένα κέντρα επισκευών της Black & Decker, τις λεπτομέρειες και τους αρμόδιους των υπηρεσιών που παρέχονται μετά την πώληση, μπορείτε να ανατρέξετε στο Διαδίκτυο στη διεύθυνση:

www.2helpU.com

ΕΓΓΥΗΣΗ

Η Black & Decker είναι σίγουρη για την ποιότητα των προϊόντων της και παρέχει σημαντική εγγύηση. Η παρούσα γραπτή εγγύηση αποτελεί πρόσθετο δικαίωμά σας και δεν ζημιώνει τα συνταγματικά σας δικαιώματα. Η εγγύηση ισχύει εντός της επικράτειας των Κρατών Μελών της Ευρωπαϊκής Ένωσης και της Ευρωπαϊκής Ζώνης Ελευθέρων Συναλλαγών.

Σε περίπτωση που κάποιο προϊόν της Black & Decker παρουσιάσει βλάβη εξαιτίας ελαττωματικών υλικών, ποιότητας εργασίας ή έλλειψης συμφωνίας με τις προδιαγραφές εντός 24 μηνών από την ημερομηνία αγοράς, η Black & Decker εγγυάται την αντικατάσταση των ελαττωματικών τμημάτων, την επισκευή προϊόντων που έχουν υποστεί εύλογη φθορά λόγω χρήσης ή την αντικατάσταση των προϊόντων προκειμένου να εξασφαλίσει την ελάχιστη ενόχληση στους πελάτες της, εκτός αν:

- ♦ Το προϊόν έχει χρησιμοποιηθεί σε εργασιακό, επαγγελματικό περιβάλλον ή αν έχει ενοικιαστεί
- ♦ Έχει γίνει εσφαλμένη χρήση του προϊόντος ή αν έχει παραμεληθεί
- ♦ Το προϊόν έχει υποστεί βλάβη από άλλα αντικείμενα, από ουσίες ή λόγω ατυχήματος

- ◆ Έχει γίνει προσπάθεια επισκευής από μη εξουσιοδοτημένα κέντρα επισκευών ή από προσωπικό που δεν ανήκει στο προσωπικό της Black & Decker

Για να ισχύσει η εγγύηση, πρέπει να υποβάλετε απόδειξη αγοράς στον πωλητή ή το εξουσιοδοτημένο κέντρο επισκευών. Ενημερωθείτε για το πλησιέστερο κέντρο επισκευών της περιοχής σας, επικοινωνώντας με τα γραφεία της Black & Decker στη διεύθυνση που αναγράφεται στο εγχειρίδιο. Επίσης, για να πληροφορηθείτε για τα εξουσιοδοτημένα κέντρα επισκευών της Black & Decker, τις λεπτομέρειες και τους αρμόδιους των υπηρεσιών που παρέχονται μετά την πώληση, μπορείτε να ανατρέξετε στο Διαδίκτυο στη διεύθυνση: www.2helpU.com.

ΑΛΛΑ ΕΡΓΑΛΕΙΑ ΓΙΑ ΜΑΣΤΟΡΕΜΑΤΑ

Η Black & Decker διαθέτει μια πλήρη σειρά εργαλείων, τα οποία διευκολύνουν την εκτέλεση μαστορεμάτων. Για περισσότερες πληροφορίες σχετικά με τα προϊόντα που ακολουθούν, συμβουλευτείτε το Κέντρο Εξυπηρέτησης και Πληροφόρησης (δείτε τη σελίδα διευθύνσεων που βρίσκεται στο τέλος του παρόντος φυλλαδίου) ή το τοπικό σας κατάστημα πώλησης προϊόντων Black & Decker.

Δράπανα
Επαναφορτιζόμενα κατσαβίδια
Επαναφορτιζόμενα δραπενοκατσάβιδα
Τριβεία
Σέγες
Δισκοπρίονα
Φαλτσοπρίονα
Γωνιακά τριβεία
Πλάνες
Ρούτερ
Πολυεργαλεία, ηλεκτρικά και επαναφορτιζόμενα
Πιστολέτα θερμού αέρα
Πάγκοι εργασίας

Διαθέτουμε επίσης μία εκτεταμένη σειρά εξαρτημάτων για τα παραπάνω εργαλεία.

Δεν είναι όλα τα προϊόντα διαθέσιμα σε όλες τις χώρες.

Τεχνικά χαρακτηριστικά

		CD200 KR400	KR420	KR450	KR450RE	KR510
Τάση	V_{AC}	230	230	230	230	230
Ισχύς εισόδου	W	400	420	450	450	500
Ταχύτητα άφορτου κίνησης	min^{-1}	2.800	2.800	2.800	0-2,800	0-2,800

		CD501 AST1	KR500RE KR500CRE	KR500	KR502 KR532	KR531
Τάση	V_{AC}	230	230	230	230	230
Ισχύς εισόδου	W	500	500	500	500	500
Ταχύτητα άφορτου κίνησης	min^{-1}	0-2.800	0-2.800	2.800	2,400/2,800	2,800

Μέγιστη δυνατότητα διάτρησης

		AST1 CD501CRE KR500(C)RE	KR510XC KR531 KR532	άλλα μοντέλα
Ατσάλι/σκυρόδεμα	mm	13	13	10
Ξύλο	mm	20	20	20

Australia	DEWALT Industrial Power Tool Company 7 Clarice Road, Box Hill, Victoria 3128	Tel. 03 9895 9200 Fax 03 9899 7465
Belgique/België	Black & Decker (Belgium) N.V. Weihoek 1, 1930 Zaventem	Tel. 02/719.07.11 Fax 02/719.08.10
Danmark	Black & Decker Hejrevang 26B, 3450 Allerød Internet: www.blackdecker.dk	Tel. 70 20 15 10 Fax 48 14 13 99
Deutschland	Black & Decker GmbH Black & Decker Str. 40, D - 65510 Idstein	Tel. 06126/21 24 83 Fax 06126/21 26 01
Ελλάς	Black & Decker (Ελλάς) A.E. Στράβωνος 7 & Βουλιαγμένης 159 Γλυφάδα 16674, Ελλάδα	Τηλ. (01) 8981-616 Φαξ (01) 8983-570 Service (01) 8982-630
España	Black & Decker Spain Parque de Negocios "Mas Blau" Edificio Muntadas, c/Bergadá, 1, Of. A6 08820 El Prat de Llobregat (Barcelona)	Tel. 934 797 400 Fax 934 797 419
France	Black & Decker (France) S.A.S. B.P. 21, 69571 Dardilly Cédex	Tel. 04 72 20 39 20 Fax 04 72 20 39 00
Helvetia	ROFO AG Gewerbezone Seeblick 3213 Kleinbödingen	Tel. 026-6749391 Fax 026-6749394
Italia	Black & Decker Italia SpA Viale Elvezia 2 20052 Monza (MI)	Tel. 039-23871 Fax 039-2387592/2387594 Numero verde 800-213935
Nederland	Black & Decker (Nederland) BV Florijnstraat 10, 4879 AH Etten-Leur	Tel. 076-5082000 Fax 076-5038184
New Zealand	Black & Decker 81 Hugo Johnson Drive Penrose, Auckland, New Zealand	Tel. 09 579 7600 Fax 09 579 8200
Norge	Black & Decker (Norge) A/S Postboks 248, Leirdal, 1011 Oslo Internet: www.blackdecker.no	Tlf. 22 90 99 00 Fax 22 90 99 01
Österreich	Black & Decker Vertriebsges.m.b.H Erlaaerstraße 165, 1231 Wien	Tel. 01 66116-0 Fax 01 66116-14
Portugal	Black & Decker Rua Egas Moniz 173, 2766-651 S. João do Estoril	Tel. 214667500 Fax 214667575
South Africa	Black & Decker South Africa (Pty) Ltd Physical address: 39 Commerce Crescent Eastgate, ext. 12, Sandton, Kramerville 2148 Postal address: Postnet Suite 107, Private Bag X65 Halfway House 1685	Tel. (011) 653-1400 Fax (011) 653-1499
Suomi	Black & Decker Oy Palotie 3, 01610 Vantaa Black & Decker Oy, Brandvägen 3, 01610 Vanda	Puh: (09) 825 4540 Fax: (09) 825 45 444 Tel: (09) 825 4540 Fax: (09) 825 45 444
Sverige	Black & Decker AB Box 603, 421 26 Västra Frölunda, Besöksadr. Ekonomivägen 11	Tel: 031-68 60 00 Fax: 031-68 60 08
Türkiye	Black & Decker Merkez Servis Dudullu Cad. Kerembey Sok. No. 1 Küçükbakkalköy/Istanbul	Tel. 0216 455 89 73 Faks 0216 455 20 52
United Kingdom	Black & Decker 210 Bath Road Slough, Berkshire SL1 3YD	Tel. 01753 511234 Fax 01753 551155 Helpline 01753 574277

Dealer address
Händleradresse
Cachet du revendeur
Indirizzo del rivenditore
Adres van de dealer
Dirección del detallista
Morada do revendedor
Áterförsäljarens adress
Forhandlerens adresse
Forhandler adresse
Jälleenmyyjän osoite
Διεύθυνση αντιπροσώπου

Date of purchase
Kaufdatum
Date d'achat
Data d'acquisto
Aankoopdatum
Fecha de compra
Data de compra
Inköpsdatum
Innkjøpsdato
Indkøbsdato
Ostopäivä
Ημερομηνία αγοράς

◆ Name ◆ Name ◆ Nom ◆ Nome
◆ Naam ◆ Nombre ◆ Nome ◆ Namn
◆ Navn ◆ Navn ◆ Nimi ◆ Oνομα:
.....
◆ Address ◆ Adresse ◆ Adresse ◆
Indirizzo ◆ Adres ◆ Dirección ◆ Morada
◆ Adress ◆ Adresse ◆ Adresse ◆ Osoite
◆ Διεύθυνση:
.....
◆ Town ◆ Ort ◆ Ville ◆ Città ◆ Plaats
◆ Ciudad ◆ Localidade ◆ Ort ◆ By ◆ By
◆ Paikkakunta ◆ Πόλη:
.....
◆ Postal code ◆ Postleitzahl ◆ Code
postal ◆ Codice postale ◆ Postcode
◆ Código ◆ Código postal ◆ Postnr.
◆ Postnr. ◆ Postnr. ◆ Postnummero
◆ Κωδικός
.....

◆ Is this tool a gift? ◆ Ist dieses Gerät
ein Geschenk? ◆ S'agit-il d'un cadeau?
◆ Si tratta di un regalo? ◆ Kreeg u de
machine als cadeau? ◆ ¿Ha recibido
usted esta herramienta como regalo?
◆ Recebeu esta ferramenta como
presente? ◆ Är verktyget en gåva?
◆ Er verkøyet en gave? ◆ Er verktøjet
en gave? ◆ Onko kone lahja?
◆ Το εργαλείο είναι δώρο?
 ◆ Yes ◆ Ja ◆ Oui ◆ Si ◆ Ja ◆ Sí
◆ Sim ◆ Ja ◆ Ja ◆ Ja ◆ Kyllä ◆ Nai
 ◆ No ◆ Nein ◆ Non ◆ No ◆ Nee
◆ No ◆ Não ◆ Nej ◆ Nei ◆ Nej
◆ Ei ◆ Oxi
◆ Is this tool your first purchase? ◆ Ist
dieses Gerät ein Erstkauf? ◆ Est-ce un
1er achat? ◆ Questo prodotto è il suo
primo acquisto? ◆ Is deze machine uw
eerste aankoop? ◆ ¿Es esta
herramienta la primera de este tipo?
◆ Esta ferramenta é a sua primeira
compra? ◆ Är detta ditt första B&D-
verktyg? ◆ Er dette ditt første B&D-
verktøy? ◆ Er dette dit første B&D

verktøj? ◆ Onko tämä ensimmäinen
B&D-koneesi? ◆ Είναι το εργαλείο
αυτό η πρώτη σας αγορά?
 ◆ Yes ◆ Ja ◆ Oui ◆ Si ◆ Ja ◆ Sí
◆ Sim ◆ Ja ◆ Ja ◆ Ja ◆ Kyllä ◆ Nai
 ◆ No ◆ Nein ◆ Non ◆ No ◆ Nee
◆ No ◆ Não ◆ Nej ◆ Nei ◆ Nej
◆ Ei ◆ Oxi
◆ Dealer address ◆ Händleradresse
◆ Cachet du revendeur ◆ Indirizzo del
rivenditore ◆ Adres van de dealer
◆ Dirección del detallista ◆ Morada do
revendedor ◆ Áterförsäljarens adress
◆ Forhandlerens adresse ◆ Forhandler
adresse ◆ Jälleenmyyjän osoite
◆ Διεύθυνση αντιπροσώπου
.....
.....

Cat. no.:



◆ Data protection act: Tick the box if
you prefer not to receive further
information. ◆ Bitte ankreuzen, falls Sie
keine weiteren Informationen erhalten
möchten. ◆ Si vous ne souhaitez pas
recevoir d'informations, cochez cette
case. ◆ Barrate la casella se non
desiderate ricevere informazioni.
◆ A.u.b. dit vakje aankruisen indien u
geen informatie wenst te ontvangen.
◆ Señale en la casilla sino quiere recibir
información. ◆ Por favor, assinale com
uma cruz se não desejar receber
informação. ◆ Vanligen kryssa för i
rutan om Ni inte vill ha information.
◆ Vennligst kryss av dersom du ikke
ønsker informasjon. ◆ Venligst sæt
kryds i ruden såfremt De ikke måtte
ønske at modtage information.
◆ Merkitkää rasti ruutuun, mikäli ette
halua vastaanottaa informaatiota.
◆ Παρακαλείσθε να σημειώσετε εάν
δεν θέλετε να πάρετε πληροφορίες.

- ◆ GUARANTEE CARD ◆ GARANTIEKARTE ◆ CARTE DE GARANTIE ◆ TAGLIANDO DI GARANZIA
- ◆ GARANTIEKAART ◆ TARJETA DE GARANTÍA ◆ CARTÃO DE GARANTIA ◆ GARANTIBEVIS
- ◆ GARANTI KORT ◆ GARANTI KORT ◆ TAKUUKORTTI ◆ ΚΑΡΤΑ ΕΓΓΥΗΣΗΣ



English	Please complete this section immediately after the purchase of your tool and send it to Black & Decker in your country. If you live in Australia or New Zealand, please register by using the alternative guarantee card supplied.	Español	Después de haber comprado su herramienta envíe usted, por favor, esta tarjeta a la central de Black & Decker en su país.
Deutsch	Bitte schneiden Sie diesen Abschnitt ab, stecken ihn in einen frankierten Umschlag und schicken ihn an die Black & Decker Adresse Ihres Landes.	Português	Por favor, recorte esta parte, coloque-a num envelope selado e endereçado e envie-o logo após a compra do seu produto para o endereço da Black & Decker do seu país.
Français	Découpez cette partie et envoyez-la sous enveloppe timbrée à l'adresse de Black & Decker dans votre pays, ceci immédiatement après votre achat.	Svenska	Var vänlig klipp ur denna del och sänd den i ett frankerat kuvert till Black & Deckers adress i Ditt land.
Italiano	Per favore ritagliate questa parte, inseritela in una busta con francobollo e speditela subito dopo l'acquisto del prodotto all'indirizzo della Black & Decker nella vostra nazione.	Norsk	Vennligst klipp ut denne delen umiddelbart etter du har pakket ut ditt produkt og legg det i en adressert konvolutt til Black & Decker (Norge) A/S.
Nederlands	Knip dit gedeelte uit en zend het direct na aankoop in een gefrankeerde, geadresseerde envelop naar het adres van Black & Decker in uw land.	Dansk	Venligst klip denne del ud og send frankeret til Black & Decker i dit land.
		Suomi	Leikkaa irti tämä osa, laita se kuoreen ja postita kuori paikalliseen Black & Decker osoitteeseen.
		Ελληνικά	Παράκαλώ κόψτε αυτό το κομμάτι και ταχυδρομήσατε το μετέωσ, μετά την αγορά του προϊόντος σας στην Διεύθυνση της Black & Decker στην Ελλάδα.