

---

# **DEWALT**

---

## ***XR LI-ION***

**[www.DEWALT.com](http://www.DEWALT.com)**

**DCD791**  
**DCD796**



Figure 1

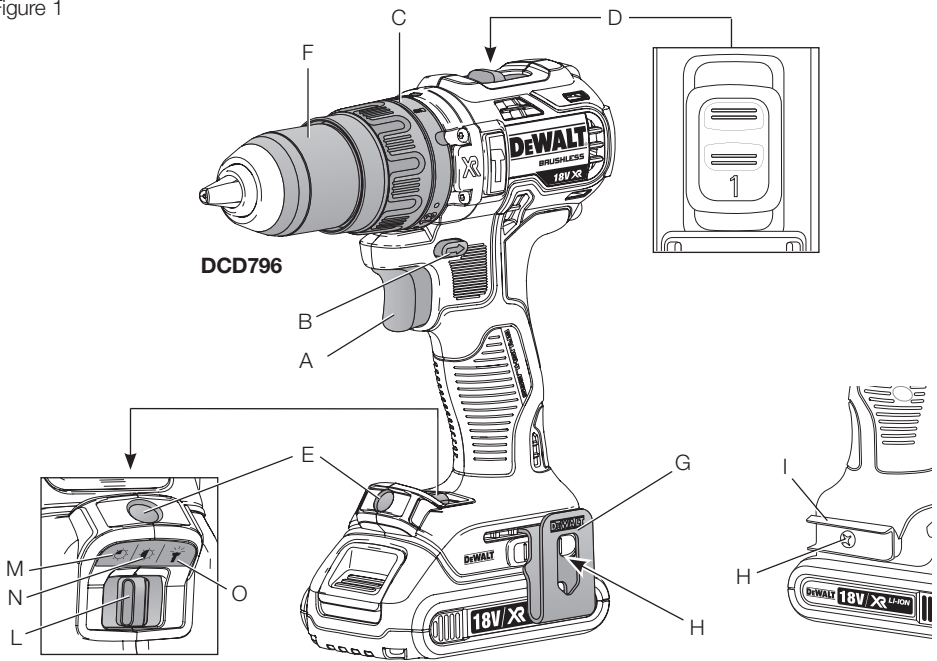


Figure 2

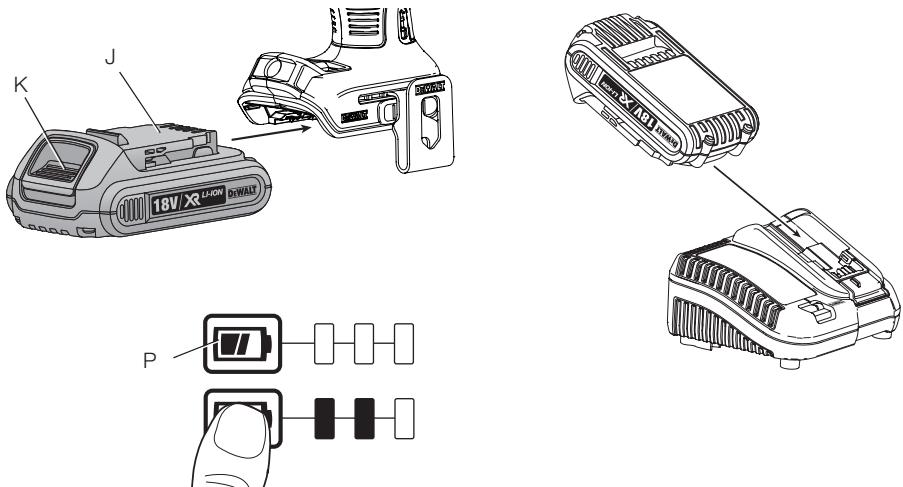


Figure 3

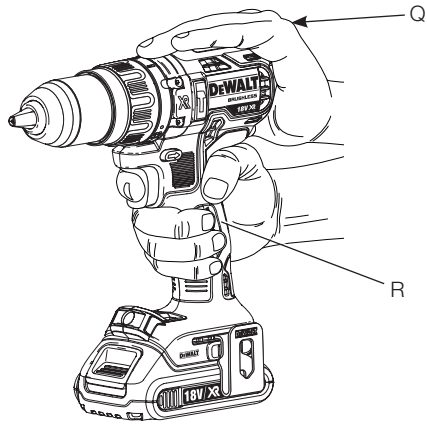


Figure 4

Figure 5

Figure 6

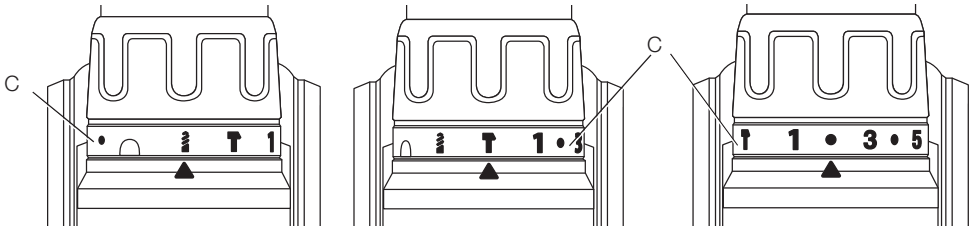
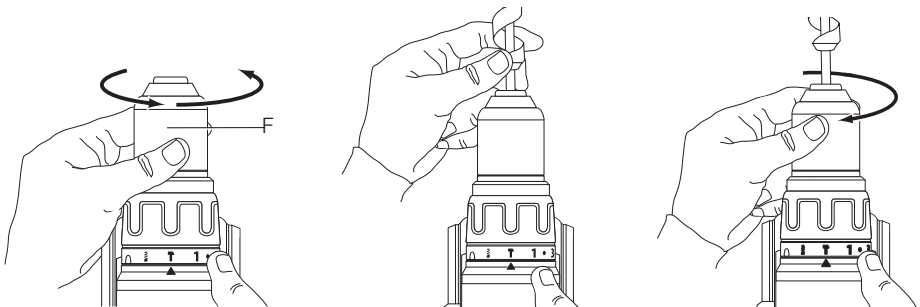


Figure 7

Figure 8

Figure 9



# BRUSHLESS CORDLESS COMPACT 13 mm (1/2") DRILL/DRIVER, DCD791

# BRUSHLESS CORDLESS COMPACT 13 mm (1/2") DRILL/DRIVER/HAMMERDRILL, DCD796

## Congratulations!

You have chosen a DEWALT tool. Years of experience, thorough product development and innovation make DEWALT one of the most reliable partners for professional power tool users.

Warning! Attachments and accessories are not the same in each region, please only refer to Taiwan Traditional Chinese description in this manual.

## Technical Data

		DCD791	DCD796
Max / Rating Voltage	$V_{DC}$	20/18	20/18
Battery type		Li-Ion	Li-Ion
Power output	W	460	460
No-load speed			
1st gear	$\text{min}^{-1}$	0–550	0–550
2nd gear	$\text{min}^{-1}$	0–2000	0–2000
Impact rate			
1st gear	$\text{min}^{-1}$	—	0–9,350
2nd gear	$\text{min}^{-1}$	—	0–34,000
Max. torque (hard/soft)	Nm	70/27	70/27
Chuck capacity	mm	1.5–13.0	1.5–13.0
Maximum drilling capacity			
Wood	mm	40	40
Metal	mm	13	13
Masonry	mm	—	13
Weight (without battery pack)	kg	1.1	1.2

Battery pack		DCB180	DCB181	DCB182	DCB183/B	DCB184/B	DCB185	DCB205
Battery type		Li-Ion	Li-Ion	Li-Ion	Li-Ion	Li-Ion	Li-Ion	Li-Ion
Voltage	$V_{DC}$	18	18	18	18	18	18	20
Capacity	Ah	3.0	1.5	4.0	2.0	5.0	1.3	5.0
Weight	kg	0.64	0.35	0.61	0.40/0.45	0.62/0.67	0.35	0.62

Charger		DCB105		
Mains voltage	$V_{AC}$	220-240		
Battery type		Li-Ion		
Approx. charging time of battery packs	min	25 (1.3 Ah) 55 (3.0 Ah)	30 (1.5 Ah) 70 (4.0 Ah)	40 (2.0 Ah) 90 (5.0 Ah)
Weight	kg	0.49		

Charger		DCB107			DCB112		
Mains voltage	V <sub>AC</sub>	220-240			220-240		
Battery type		Li-Ion			Li-Ion		
Approx. charging time of battery packs	min	60 (1.3 Ah)	70 (1.5 Ah)	90 (2.0 Ah)	40 (1.3 Ah)	45 (1.5 Ah)	60 (2.0 Ah)
		140 (3.0 Ah)	185 (4.0 Ah)	240 (5.0 Ah)	90 (3.0 Ah)	120 (4.0 Ah)	150 (5.0 Ah)
Weight	kg	0.29			0.36		

Charger		DCB113			DCB115		
Mains voltage	V <sub>AC</sub>	220-240			220-240		
Battery type		Li-Ion			Li-Ion		
Approx. charging time of battery packs	min	30 (1.3 Ah)	35 (1.5 Ah)	50 (2.0 Ah)	25 (1.3 Ah)	30 (1.5 Ah)	40 (2.0 Ah)
		70 (3.0 Ah)	100 (4.0 Ah)	120 (5.0 Ah)	55 (3.0 Ah)	70 (4.0 Ah)	90 (5.0 Ah)
Weight	kg	0.4			0.5		

\* Maximum initial battery voltage (measured without a workload) is 20 volts. Nominal voltage is 18.

## Definitions: Safety Guidelines

The definitions below describe the level of severity for each signal word. Please read the manual and pay attention to these symbols.



**DANGER:** Indicates an imminent hazardous situation which, if not avoided, will result in **death or serious injury**.



**WARNING:** Indicates a potentially hazardous situation which, if not avoided, could result in **death or serious injury**.



**CAUTION:** Indicates a potentially hazardous situation which, if not avoided, may result in **minor or moderate injury**.

**NOTICE:** Indicates a practice **not related to personal injury** which, if not avoided, may result in **property damage**.



Denotes risk of electric shock.



Denotes risk of fire.



**WARNING:** To reduce the risk of injury, read the instruction manual.

## General Power Tool Safety Warnings



**WARNING! Read all safety warnings and all instructions.** Failure to follow the warnings and instructions may result in electric shock, fire and/or serious injury.

### SAVE ALL WARNINGS AND INSTRUCTIONS FOR FUTURE REFERENCE

The term "power tool" in the warnings refers to your mains-operated (corded) power tool or battery-operated (cordless) power tool.

## 1) WORK AREA SAFETY

- Keep work area clean and well lit.** Cluttered or dark areas invite accidents.
- Do not operate power tools in explosive atmospheres, such as in the presence of flammable liquids, gases or dust.** Power tools create sparks which may ignite the dust or fumes.
- Keep children and bystanders away while operating a power tool.** Distractions can cause you to lose control.

## 2) ELECTRICAL SAFETY

- Power tool plugs must match the outlet. Never modify the plug in any way. Do not use any adapter plugs with earthed (grounded) power tools.** Unmodified plugs and matching outlets will reduce risk of electric shock.
- Avoid body contact with earthed or grounded surfaces such as pipes, radiators, ranges and refrigerators.** There is an increased risk of electric shock if your body is earthed or grounded.
- Do not expose power tools to rain or wet conditions.** Water entering a power tool will increase the risk of electric shock.
- Do not abuse the cord. Never use the cord for carrying, pulling or unplugging the power tool. Keep cord away from heat, oil, sharp edges or moving parts.** Damaged or entangled cords increase the risk of electric shock.
- When operating a power tool outdoors, use an extension cord suitable for outdoor use.** Use of a cord suitable for outdoor use reduces the risk of electric shock.
- If operating a power tool in a damp location is unavoidable, use a residual current device (RCD) protected supply.**

Use of an RCD reduces the risk of electric shock.

### 3) PERSONAL SAFETY

- a) **Stay alert, watch what you are doing and use common sense when operating a power tool. Do not use a power tool while you are tired or under the influence of drugs, alcohol or medication.** A moment of inattention while operating power tools may result in serious personal injury.
- b) **Use personal protective equipment. Always wear eye protection.** Protective equipment such as dust mask, non-skid safety shoes, hard hat, or hearing protection used for appropriate conditions will reduce personal injuries.
- c) **Prevent unintentional starting. Ensure the switch is in the off position before connecting to power source and/or battery pack, picking up or carrying the tool.** Carrying power tools with your finger on the switch or energising power tools that have the switch on invites accidents.
- d) **Remove any adjusting key or wrench before turning the power tool on.** A wrench or a key left attached to a rotating part of the power tool may result in personal injury.
- e) **Do not overreach. Keep proper footing and balance at all times.** This enables better control of the power tool in unexpected situations.
- f) **Dress properly. Do not wear loose clothing or jewellery. Keep your hair, clothing and gloves away from moving parts.** Loose clothes, jewellery or long hair can be caught in moving parts.
- g) **If devices are provided for the connection of dust extraction and collection facilities, ensure these are connected and properly used.** Use of dust collection can reduce dust-related hazards.

### 4) POWER TOOL USE AND CARE

- a) **Do not force the power tool. Use the correct power tool for your application.** The correct power tool will do the job better and safer at the rate for which it was designed.
- b) **Do not use the power tool if the switch does not turn it on and off.** Any power tool that cannot be controlled with the switch is dangerous and must be repaired.
- c) **Disconnect the plug from the power source and/or the battery pack from the power tool before making any adjustments, changing accessories, or storing power tools.** Such preventive safety

measures reduce the risk of starting the power tool accidentally.

- d) **Store idle power tools out of the reach of children and do not allow persons unfamiliar with the power tool or these instructions to operate the power tool.** Power tools are dangerous in the hands of untrained users.
- e) **Maintain power tools. Check for misalignment or binding of moving parts, breakage of parts and any other condition that may affect the power tool's operation. If damaged, have the power tool repaired before use.** Many accidents are caused by poorly maintained power tools.
- f) **Keep cutting tools sharp and clean.** Properly maintained cutting tools with sharp cutting edges are less likely to bind and are easier to control.
- g) **Use the power tool, accessories and tool bits etc., in accordance with these instructions taking into account the working conditions and the work to be performed.** Use of the power tool for operations different from those intended could result in a hazardous situation.

### 5) BATTERY TOOL USE AND CARE

- a) **Recharge only with the charger specified by the manufacturer.** A charger that is suitable for one type of battery pack may create a risk of fire when used with another battery pack.
- b) **Use power tools only with specifically designated battery packs.** Use of any other battery packs may create a risk of injury and fire.
- c) **When battery pack is not in use, keep it away from other metal objects like paper clips, coins, keys, nails, screws or other small metal objects that can make a connection from one terminal to another.** Shorting the battery terminals together may cause burns or a fire.
- d) **Under abusive conditions, liquid may be ejected from the battery; avoid contact. If contact accidentally occurs, flush with water. If liquid contacts eyes, additionally seek medical help.** Liquid ejected from the battery may cause irritation or burns.

### 6) SERVICE

- a) **Have your power tool serviced by a qualified repair person using only identical replacement parts.** This will ensure that the safety of the power tool is maintained.

## Additional Specific Safety Rules for Drill/Driver/Hammerdrill

- **Wear ear protectors when impact drilling.** Exposure to noise can cause hearing loss.
- **Use auxiliary handle(s), if supplied with the tool.** Loss of control can cause personal injury.
- **Hold power tool by insulated gripping surfaces, when performing an operation where the cutting accessory may contact hidden wiring.** Cutting accessory contacting a "live" wire may make exposed metal parts of the power tool "live" and could give the operator an electric shock.
- **Hold power tool by insulated gripping surfaces, when performing an operation where the fastener may contact hidden wiring.** Fasteners contacting a "live" wire may make exposed metal parts of the power tool "live" and could give the operator an electric shock.
- **Use clamps or other practical way to secure and support the workpiece to a stable platform.** Holding the work by hand or against your body is unstable and may lead to loss of control.
- **Wear safety goggles or other eye protection.** Hammering and drilling operations cause chips to fly. Flying particles can cause permanent eye damage.
- **Accessories and tool may get hot during operation.** Wear gloves when handling them if performing heat producing applications such as hammerdrilling and drilling metals.
- **Do not operate this tool for long periods of time.** Vibration caused by hammer action may be harmful to your hands and arms. Use gloves to provide extra cushion and limit exposure by taking frequent rest periods.
- **Air vents often cover moving parts and should be avoided.** Loose clothes, jewelry or long hair can be caught in moving parts.

## Residual Risks

In spite of the application of the relevant safety regulations and the implementation of safety devices, certain residual risks cannot be avoided. These are:

- Impairment of hearing.
- Risk of squeezing fingers when changing accessories.
- Health hazards caused by breathing dust developed when working in wood.
- Risk of personal injury due to flying particles.
- Risk of personal injury due to prolonged use.

## Markings on Tool

The following pictograms are shown on the tool:



Read instruction manual before use.



Visible radiation. Do not stare into light.

### DATE CODE POSITION

The date code, which also includes the year of manufacture, is printed into the housing.

Example:

2016 XX XX

Year of Manufacture

## Important Safety Instructions for All Battery Chargers

**SAVE THESE INSTRUCTIONS:** This manual contains important safety and operating instructions for compatible battery chargers (refer to **Technical Data**).

- Before using charger, read all instructions and cautionary markings on charger, battery pack, and product using battery pack.



**WARNING:** Shock hazard. Do not allow any liquid to get inside charger. Electric shock may result.



**WARNING:** We recommend the use of a residual current device with a residual current rating of 30mA or less.



**CAUTION:** Burn hazard. To reduce the risk of injury, charge only DEWALT rechargeable batteries. Other types of batteries may burst causing personal injury and damage.



**CAUTION:** Children should be supervised to ensure that they do not play with the appliance.

**NOTICE:** Under certain conditions, with the charger plugged into the power supply, the exposed charging contacts inside the charger can be shorted by foreign material. Foreign materials of a conductive nature such as, but not limited to, steel wool, aluminum foil or any buildup of metallic particles should be kept away from charger cavities. Always unplug the charger from the power supply when there is no battery pack in the cavity. Unplug charger before attempting to clean



- **DO NOT attempt to charge the battery pack with any chargers other than the ones in this manual.** The charger and battery pack are specifically designed to work together.
- **These chargers are not intended for any uses other than charging DEWALT rechargeable batteries.** Any other uses may result in risk of fire, electric shock or electrocution.
- **Do not expose charger to rain or snow.**
- **Pull by plug rather than cord when disconnecting charger.** This will reduce risk of damage to electric plug and cord.
- **Make sure that cord is located so that it will not be stepped on, tripped over, or otherwise subjected to damage or stress.**
- **Do not use an extension cord unless it is absolutely necessary.** Use of improper extension cord could result in risk of fire, electric shock, or electrocution.
- **Do not place any object on top of charger or place the charger on a soft surface that might block the ventilation slots and result in excessive internal heat.** Place the charger in a position away from any heat source. The charger is ventilated through slots in the top and the bottom of the housing.
- **Do not operate charger with damaged cord or plug—have them replaced immediately.**
- **Do not operate charger if it has received a sharp blow, been dropped, or otherwise damaged in any way.** Take it to an authorised service centre.
- **Do not disassemble charger; take it to an authorised service centre when service or repair is required.** Incorrect reassembly may result in a risk of electric shock, electrocution or fire.
- **In case of damaged power supply cord the supply cord must be replaced immediately by the manufacturer, its service agent or similar qualified person to prevent any hazard.**
- **Disconnect the charger from the outlet before attempting any cleaning.** This will reduce the risk of electric shock. Removing the battery pack will not reduce this risk.
- **NEVER attempt to connect two chargers together.**
- **The charger is designed to operate on standard 220-240V household electrical power. Do not attempt to use it on any other voltage.** This does not apply to the vehicular charger.

## SAVE THESE INSTRUCTIONS

### Chargers

The DCB105, DCB107, DCB112, DCB113, and DCB115 chargers accept 10.8 V, 14.4V, 18V and 20V max Li-Ion XR (DCB140, DCB141, DCB142, DCB143, DCB144, DCB145, DCB180, DCB181, DCB182, DCB183, DCB183B, DCB184, DCB184B, DCB185 and DCB205) battery packs.

DEWALT chargers require no adjustment and are designed to be as easy as possible to operate.

### Charging Procedure (Fig. 2)





1. Plug the charger into an appropriate outlet before inserting battery pack.
2. Slide the battery pack (J) into the charger ensuring that it is firmly seated and locked in place. The red (charging) light will blink continuously indicating that the charging process has started.
3. The completion of charge will be indicated by the red light remaining ON continuously. The pack is fully charged and may be used at this time or left in the charger.

**NOTE:** To ensure maximum performance and life of lithium-ion batteries, charge the battery pack fully before first use.







### Charging Process

Refer to the table below for the charge status of the battery pack.

Charge indicators: DCB105

	charging	— — — —
	fully charged	————
	hot/cold pack delay	— • — • — •
	replace battery pack	• • • • • • • •

Charge indicators: DCB107, DCB112, DCB113, DCB115

	charging	— — — —	
	fully charged	————	
	hot/cold pack delay*	— — —   — — —	

**\*DCB107, DCB112, DCB113, DCB115:** The red light will continue to blink, but a yellow indicator light will be illuminated during this operation. Once the battery has reached an appropriate temperature, the yellow light will turn off and the charger will resume the charging procedure.

The compatible charger(s) will not charge a faulty battery pack. The charger will indicate faulty battery by refusing to light or by displaying problem pack or charger blink pattern.

**NOTE:** This could also mean a problem with a charger.

If the charger indicates a problem, take the charger and battery pack to be tested at an authorised service centre.

### HOT/COLD PACK DELAY

When the charger detects a battery that is too hot or too cold, it automatically starts a Hot/Cold Pack Delay, suspending charging until the battery has reached an appropriate temperature. The charger then automatically switches to the pack charging mode. This feature ensures maximum battery life.

A cold battery pack will charge at about half the rate of a warm battery pack. The battery pack will charge at that slower rate throughout the entire charging cycle and will not return to maximum charge rate even if the battery warms.

### LITHIUM-ION BATTERY PACKS ONLY

XR Li-Ion tools are designed with an Electronic Protection System that will protect the battery against overloading, overheating or deep discharge.

The tool will automatically turn off if the Electronic Protection System engages. If this occurs, place the lithium-ion battery on the charger until it is fully charged.

## Important Safety Instructions for All Battery Packs

When ordering replacement battery packs, be sure to include catalog number and voltage.

The battery pack is not fully charged out of the carton. Before using the battery pack and charger, read the safety instructions below. Then follow charging procedures outlined.

### READ ALL INSTRUCTIONS

- **Do not charge or use battery in explosive atmospheres, such as in the presence of flammable liquids, gases or dust.** Inserting or removing the battery from the charger may ignite the dust or fumes.
- **Never force battery pack into charger. Do not modify battery pack in any way to fit into a non-compatible charger as battery pack may rupture causing serious personal injury.**
- Charge the battery packs only in DEWALT chargers.
- **DO NOT splash or immerse in water or other liquids.**

- **Do not store or use the tool and battery pack in locations where the temperature may reach or exceed 40 °C (104 °F) (such as outside sheds or metal buildings in summer).**



**WARNING:** Never attempt to open the battery pack for any reason. If battery pack case is cracked or damaged, do not insert into charger. Do not crush, drop or damage battery pack. Do not use a battery pack or charger that has received a sharp blow, been dropped, run over or damaged in any way (i.e., pierced with a nail, hit with a hammer, stepped on). Electric shock or electrocution may result. Damaged battery packs should be returned to service centre for recycling.



**CAUTION:** When not in use, place tool on its side on a stable surface where it will not cause a tripping or falling hazard. Some tools with large battery packs will stand upright on the battery pack but may be easily knocked over.

### SPECIFIC SAFETY INSTRUCTIONS FOR LITHIUM-ION (LI-ION)

- **Do not incinerate the battery pack even if it is severely damaged or is completely worn out.** The battery pack can explode in a fire. Toxic fumes and materials are created when lithium-ion battery packs are burned.
- **If battery contents come into contact with the skin, immediately wash area with mild soap and water.** If battery liquid gets into the eye, rinse water over the open eye for 15 minutes or until irritation ceases. If medical attention is needed, the battery electrolyte is composed of a mixture of liquid organic carbonates and lithium salts.
- **Contents of opened battery cells may cause respiratory irritation.** Provide fresh air. If symptoms persists, seek medical attention.



**WARNING:** Burn hazard. Battery liquid may be flammable if exposed to spark or flame.

## Transportation

DEWALT batteries comply with all applicable shipping regulations as prescribed by industry and legal standards which include UN Recommendations on the Transport of Dangerous Goods; International Air Transport Association (IATA) Dangerous Goods Regulations, International Maritime Dangerous Goods (IMDG) Regulations, and the European Agreement Concerning The

International Carriage of Dangerous Goods by Road (ADR). Lithium-ion cells and batteries have been tested to section 38.3 of the UN Recommendations on the Transport of Dangerous Goods Manual of Tests and Criteria.

In most instances, shipping a DEWALT battery pack will be excepted from being classified as a fully regulated Class 9 Hazardous Material. In general, the two instances that require shipping Class 9 are:

1. Air shipping more than two DEWALT lithium-ion battery packs when the package contains only battery packs (no tools), and
2. Any shipment containing a lithium-ion battery with an energy rating greater than 100 watt hours (Wh). All lithium-ion batteries have the watt hour rating marked on the pack.

Regardless of whether a shipment is considered excepted or fully regulated, it is the shipper's responsibility to consult the latest regulations for packaging, labeling/marketing and documentation requirements.

Transporting batteries can possibly cause fire if the battery terminals inadvertently come in contact with conductive materials. When transporting batteries, make sure that the battery terminals are protected and well insulated from materials that could contact them and cause a short circuit.

The information provided in this section of the manual is provided in good faith and believed to be accurate at the time the document was created. However, no warranty, expressed or implied, is given. It is the buyer's responsibility to ensure that its activities comply with the applicable regulations.

## Battery Pack

### BATTERY TYPE

The DCD791 and DCD796 operate on an 18 volt battery pack.

The DCB180, DCB181, DCB182, DCB183, DCB183B, DCB184, DCB184B, DCB185 or DCB205 battery packs may be used. Refer to **Technical Data** for more information.

## Storage Recommendations

1. The best storage place is one that is cool and dry away from direct sunlight and excess heat or cold. For optimum battery performance and life, store battery packs at room temperature when not in use.
2. For long storage, it is recommended to store a fully charged battery pack in a cool, dry place out of the charger for optimal results.

**NOTE:** Battery packs should not be stored completely depleted of charge. The battery pack will need to be recharged before use.

## Labels on Charger and Battery Pack

In addition to the pictographs used in this manual, the labels on the charger and the battery pack may show the following pictographs:



Read instruction manual before use.



See **Technical Data** for charging time.



Battery charging.



Battery charged.



Battery defective.



Hot/cold pack delay.



Do not probe with conductive objects.



Do not charge damaged battery packs.



Do not expose to water.



Have defective cords replaced immediately.



Charge only between 4 °C and 40 °C.



Only for indoor use.



Discard the battery pack with due care for the environment.

LI-ION



Charge DEWALT battery packs only with designated DEWALT chargers. Charging battery packs other than the designated DEWALT batteries with a DEWALT charger may make them burst or lead to other dangerous situations (see **Technical Data**).



Do not incinerate the battery pack.

## Package Contents

The package contains:

- 1 Drill/driver or 1 drill/driver/hammerdrill
- 1 Charger
- 1 Li-Ion battery pack (C1, S1, D1, M1, P1 models)
- 2 Li-Ion battery packs (C2, S2, D2, M2, P2 models)
- 3 Li-Ion battery packs (C3, S3, D3, M3, P3 models)
- 1 Kitbox
- 1 Instruction manual
- 1 Tool Connect™ App instruction manual (B models)
- 1 Magnetic bit holder
- 1 Belt hook

**NOTE:** Battery packs, chargers and kitboxes are not included with N models. Battery packs and chargers are not included with NT models. B models include Bluetooth® battery packs.

**NOTE:** The Bluetooth® word mark and logos are registered trademarks owned by the Bluetooth®, SIG, Inc. and any use of such marks by DEWALT is under license. Other trademarks and trade names are those of their respective owners.

- *Check for damage to the tool, parts or accessories which may have occurred during transport.*
- *Take the time to thoroughly read and understand this manual prior to operation.*

## Description (Fig. 1)



**WARNING:** Never modify the power tool or any part of it. Damage or personal injury could result.

- A. Trigger switch
- B. Forward/reverse control button
- C. Torque adjustment collar
- D. Gear shifter
- E. Worklight
- F. Keyless chuck
- G. Belt hook
- H. Mounting screw
  - I. Bit clip
- J. Battery pack
- K. Battery release button
- L. Worklight switch

### INTENDED USE

These drills/drivers/hammerdrills are designed for professional drilling, percussion drilling and screwdriving applications.

**DO NOT** use under wet conditions or in the presence of flammable liquids or gases.

These drills/drivers/hammerdrills are professional power tools.

**DO NOT** let children come into contact with the tool. Supervision is required when inexperienced operators use this tool.

- **Young children and the infirm.** This appliance is not intended for use by young children or infirm persons without supervision.
- This product is not intended for use by persons (including children) suffering from diminished physical, sensory or mental abilities; lack of experience, knowledge or skills unless they are supervised by a person responsible for their safety. Children should never be left alone with this product.

## Electrical Safety

The electric motor has been designed for one voltage only. Always check that the battery pack voltage corresponds to the voltage on the rating plate. Also make sure that the voltage of your charger corresponds to that of your mains.



Your DEWALT charger is double insulated in accordance with IEC60335; therefore no earth wire is required.

If the supply cord is damaged, it must be replaced by a specially prepared cord available through the DEWALT service organisation.

## Using an Extension Cable

An extension cord should not be used unless absolutely necessary. Use an approved extension cable suitable for the power input of your charger (see **Technical Data**). The minimum conductor size is 1 mm<sup>2</sup>; the maximum length is 30 m.

When using a cable reel, always unwind the cable completely.

## ASSEMBLY AND ADJUSTMENTS



**WARNING:** To reduce the risk of serious personal injury, turn tool off and disconnect battery pack before making any adjustments or removing/installing attachments or accessories. An accidental start-up can cause injury.



**WARNING:** Use only DEWALT battery packs and chargers.

## Inserting and Removing the Battery Pack from the Tool (Fig. 2)

**NOTE:** Make sure your battery pack (J) is fully charged.

### TO INSTALL THE BATTERY PACK INTO THE TOOL HANDLE

1. Align the battery pack (J) with the rails inside the tool's handle (Fig. 2).
2. Slide it into the handle until the battery pack is firmly seated in the tool and ensure that you hear the lock snap into place.

### TO REMOVE THE BATTERY PACK FROM THE TOOL

1. Press the release buttons (K) and firmly pull the battery pack out of the tool handle.
2. Insert battery pack into the charger as described in the charger section of this manual.

### FUEL GAUGE BATTERY PACKS (FIG. 2)

Some DEWALT battery packs include a fuel gauge which consists of three green LED lights that indicate the level of charge remaining in the battery pack.

To actuate the fuel gauge, press and hold the fuel gauge button (P). A combination of the three green LED lights will illuminate designating the level of charge left. When the level of charge in the battery is below the usable limit, the fuel gauge will not illuminate and the battery will need to be recharged.

**NOTE:** The fuel gauge is only an indication of the charge left on the battery pack. It does not indicate tool functionality and is subject to variation based on product components, temperature and end-user application.

## Variable Speed Trigger Switch (Fig. 1)

To turn the tool on, squeeze the trigger switch (A). To turn the tool off, release the trigger switch. Your tool is equipped with a brake. The chuck will stop as soon as the trigger switch is fully released.

**NOTE:** Continuous use in variable speed range is not recommended. It may damage the switch and should be avoided.

## Forward/Reverse Control Button (Fig. 1)

A forward/reverse control button (B) determines the direction of the tool and also serves as a lock-off button.

To select forward rotation, release the trigger switch and press the forward/reverse control button on the right side of the tool.

To select reverse, press the forward/reverse control button on the left side of the tool.

The centre position of the control button locks the tool in the off position. When changing the position of the control button, be sure the trigger is released.

**NOTE:** The first time the tool is run after changing the direction of rotation, you may hear a click on start up. This is normal and does not indicate a problem.

## Torque Adjustment Collar (Fig. 1)

Your tool has an adjustable torque screwdriver mechanism for driving and removing a wide array of fastener shapes and sizes and in some models, a hammer mechanism for drilling into masonry. Circling the collar (C) are numbers, a drill bit symbol, and in some models, a hammer symbol. These numbers are used to set the clutch to deliver a torque range. The higher the number on the collar, the higher the torque and the larger the fastener which can be driven. To select any of the numbers, rotate until the desired number aligns with the arrow.

**NOTE:** The torque adjustment collar is only engaged during screwdriving mode and not in drill and hammerdrill modes.

## Dual Range Gearing (Fig. 1)

The dual range feature of your drill/driver allows you to shift gears for greater versatility.

1. To select speed 1 (high torque setting), turn the tool off and permit it to stop. Slide the gear shifter (D) forward (towards the chuck).
2. To select speed 2 (low torque setting), turn the tool off and permit it to stop. Slide the gear shifter back (away from the chuck).

**NOTE:** Do not change gears when the tool is running. Always allow the drill to come to a complete stop before changing gears. If you are having trouble changing gears, make sure that the dual range gear shifter is either completely pushed forward or completely pushed back.

## LED Worklight (Fig. 1)

The LED worklight (E) and its worklight switch (L) are located on the foot of the tool. The worklight is activated when the trigger switch is depressed. The low (M), medium (N) and spotlight (O) modes can be changed by moving the switch on the foot of the tool. If the trigger switch remains depressed, the worklight will remain on in all modes.

When on low (M) and medium (N) settings, the beam will automatically turn off 20 seconds after the trigger switch is released.

## SPOTLIGHT MODE

The high setting (O) is the spotlight mode. The spotlight will run for 20 minutes after the trigger switch is released. Two minutes before the spotlight will shut off, it will flash twice and then dim. To avoid the spotlight shutting off, lightly tap the trigger switch.



**WARNING:** While using the worklight in medium or spotlight mode, do not stare at the light or place the drill in a position which may cause anyone to stare into the light. Serious eye injury could result.



**CAUTION:** When using the tool as a spotlight, be sure it is secured on a stable surface where it will not cause a tripping or falling hazard.



**CAUTION:** Remove all accessories from the chuck before using the drill as a spotlight. Personal injury or property damage could result.

## LOW BATTERY WARNING

When in spotlight mode and the battery is nearing complete discharge, the spotlight will flash twice and then dim. After two minutes, the battery will be completely discharged and the drill will immediately shut down. At this point, replace with a charged battery.



**WARNING:** To reduce the risk of injury, always have a back-up battery or secondary lighting available if the situation warrants it.

## Keyless Single Sleeve Chuck (Fig. 7–9)



**WARNING:** Do not attempt to tighten drill bits (or any other accessory) by gripping the front part of the chuck and turning the tool on. Damage to the chuck and personal injury may result. Always lock off trigger switch and disconnect tool from power source when changing accessories.



**WARNING:** Always ensure the bit is secure before starting the tool. A loose bit may eject from tool causing possible personal injury.

Your tool features a keyless chuck (F) with one rotating sleeve for one-handed operation of the chuck. To insert a drill bit or other accessory, follow these steps.

1. Turn tool off and disconnect tool from power source.

2. Grasp the black sleeve of the chuck with one hand and use the other hand to secure the tool. Rotate the sleeve counterclockwise far enough to accept the desired accessory.
3. Insert the accessory about 19 mm (3/4") into the chuck and tighten securely by rotating the chuck sleeve clockwise with one hand while holding the tool with the other. Your tool is equipped with an automatic spindle lock mechanism. This allows you to open and close the chuck with one hand.

**NOTE:** Be sure to tighten chuck with one hand on the chuck sleeve and one hand holding the tool for maximum tightness.

To release the accessory, repeat steps 1 and 2 above.

## Belt Hook and Bit Clip (Fig. 1)



**WARNING:** To reduce the risk of serious personal injury, turn tool off and disconnect battery pack before making any adjustments or removing/installing attachments or accessories.



**WARNING:** To reduce the risk of serious personal injury, DO NOT suspend tool overhead or suspend objects from the belt hook. **ONLY** hang tool's belt hook from a work belt.



**WARNING:** To reduce the risk of serious personal injury, ensure the screw holding the belt hook is secure.

**IMPORTANT:** When attaching or replacing the belt hook or bit clip, use only the screw (H) that is provided. Be sure to securely tighten the screw.

The belt hook (G) and bit clip (I) can be attached to either side of the tool using only the screw (H) provided, to accommodate left- or right- handed users. If the hook or bit clip is not desired at all, it can be removed from the tool.

To move belt hook or bit clip, remove the screw (H) that holds it in place then reassemble on the opposite side. Be sure to securely tighten the screw.

## OPERATION

### Instructions for Use



**WARNING:** Always observe the safety instructions and applicable regulations.



**WARNING:** To reduce the risk of serious personal injury, turn tool off and disconnect battery pack before making any adjustments or removing/installing attachments or

**accessories.** An accidental start-up can cause injury.

## Proper Hand Position (Fig. 3)



**WARNING:** To reduce the risk of serious personal injury, **ALWAYS** use proper hand position as shown.



**WARNING:** To reduce the risk of serious personal injury, **ALWAYS** hold securely in anticipation of a sudden reaction.

Proper hand position requires one hand on the top of the drill (Q) as shown, with the other hand on the main handle (R).

## Drill Operation (Fig. 1, 4)



**WARNING:** To reduce the risk of personal injury, **ALWAYS** ensure workpiece is anchored or clamped firmly. If drilling thin material, use a wood "back-up" block to prevent damage to the material.

1. Turn the collar (Fig. 4, C) to the drill symbol.
2. Select the desired speed/torque range using the gear shifter (Fig. 1, D) to match the speed and torque to the planned operation.
3. For WOOD, use twist bits, spade bits, power auger bits or hole saws. For METAL, use high-speed steel twist drill bits or hole saws. Use a cutting lubricant when drilling metals. The exceptions are cast iron and brass which should be drilled dry.
4. Always apply pressure in a straight line with the bit. Use enough pressure to keep drill biting, but do not push hard enough to stall the motor or deflect the bit.
5. Hold tool firmly with both hands to control the twisting action of the drill. If model is not equipped with side handle, grip drill with one hand on the handle and one hand on the battery pack.



**CAUTION:** Drill may stall if overloaded causing a sudden twist. Always expect the stall. Grip the drill firmly to control the twisting action and avoid injury.

6. **IF DRILL STALLS**, it is usually because it is being overloaded or improperly used. **RELEASE TRIGGER IMMEDIATELY**, remove drill bit from work, and determine cause of stalling. **DO NOT CLICK TRIGGER ON AND OFF IN AN ATTEMPT TO START A STALLED DRILL — THIS CAN DAMAGE THE DRILL.**
7. To minimise stalling or breaking through the material, reduce pressure on drill and ease the bit through the last fractional part of the hole.

8. Keep the motor running when pulling the bit back out of a drilled hole. This will help prevent jamming.
9. With variable speed drills there is no need to centre punch the point to be drilled. Use a slow speed to start the hole and accelerate by squeezing the trigger harder when the hole is deep enough to drill without the bit skipping out.

## Hammerdrill Operation (DCD796 only) (Fig. 1, 5)

1. Turn the collar (C) to the hammerdrill symbol.
  2. Select the high speed (2) setting by sliding the gear shifter (D) back (away from the chuck).
- IMPORTANT:** Use carbide-tipped or masonry bits only.
3. Drill with just enough force on the hammer to keep it from bouncing excessively or "rising" off the bit. Too much force will cause slower drilling speeds, overheating and lower drilling rate.
  4. Drill straight, keeping the bit at a right angle to the work. Do not exert side pressure on the bit when drilling as this will cause clogging of the bit flutes and a slower drilling speed.
  5. When drilling deep holes, if the hammer speed starts to drop off, pull the bit partially out of the hole with tool still running to help clear debris from the hole.

**NOTE:** A smooth, even flow of dust from the hole indicates proper drilling rate.

## MAINTENANCE

Your DEWALT power tool has been designed to operate over a long period of time with a minimum of maintenance. Continuous satisfactory operation depends upon proper tool care and regular cleaning.



**WARNING:** To reduce the risk of serious personal injury, **turn tool off and disconnect battery pack before making any adjustments or removing/installing attachments or accessories.** An accidental start-up can cause injury.

The charger and battery pack are not serviceable.



## Lubrication

Your power tool requires no additional lubrication.



## Cleaning



**WARNING:** Blow dirt and dust out of the main housing with dry air as often as dirt is seen collecting in and around the air vents. Wear approved eye protection and approved dust mask when performing this procedure.



**WARNING:** Never use solvents or other harsh chemicals for cleaning the non-metallic parts of the tool. These chemicals may weaken the materials used in these parts. Use a cloth dampened only with water and mild soap. Never let any liquid get inside the tool; never immerse any part of the tool into a liquid.

### CHARGER CLEANING INSTRUCTIONS



**WARNING:** Shock hazard. Disconnect the charger from the AC outlet before cleaning. Dirt and grease may be removed from the exterior of the charger using a cloth or soft non-metallic brush. Do not use water or any cleaning solutions.

## Optional Accessories



**WARNING:** Since accessories, other than those offered by DEWALT, have not been tested with this product, use of such accessories with this tool could be hazardous. To reduce the risk of injury, only DEWALT recommended accessories should be used with this product.

Consult your dealer for further information on the appropriate accessories.

## Protecting the Environment



Separate collection. This product must not be disposed of with normal household waste.

Should you find one day that your DEWALT product needs replacement, or if it is of no further use to you, do not dispose of it with household waste. Make this product available for separate collection.



Separate collection of used products and packaging allows materials to be recycled and used again. Re-use of recycled materials helps prevent environmental pollution and reduces the demand for raw materials.

Local regulations may provide for separate collection of electrical products from the household, at municipal waste sites or by the retailer when you purchase a new product.

DEWALT provides a facility for the collection and recycling of DEWALT products once they have reached the end of their working life. To take advantage of this service please return your product to any authorised repair agent who will collect them on our behalf.

You can check the location of your nearest authorised repair agent by contacting your local DEWALT office at the address indicated in this manual. Alternatively, a list of authorised DEWALT repair agents and full details of our after-sales service and contacts are available on the Internet at: [www.2helpU.com](http://www.2helpU.com).



## Rechargeable Battery Pack

This long life battery pack must be recharged when it fails to produce sufficient power on jobs which were easily done before. At the end of its technical life, discard it with due care for our environment:

- Run the battery pack down completely, then remove it from the tool.
- Lithium-ion cells are recyclable. Take them to your dealer or a local recycling station. The collected battery packs will be recycled or disposed of properly.



# DCD791 鋰電無碳刷13MM (1/2") 電鑽調鈕起子機

# DCD796 鋰電無碳刷13MM (1/2") 震動電鑽調鈕起子機

## 恭喜閣下！

感謝您選購 DEWALT 工具。憑藉多年的產品開發和創新經驗，DEWALT 已成為專業電動工具使用者最信賴的夥伴。

請注意！各地區上市產品/配件不盡相同，請依台灣繁體中文說明書的內容為主。

## 技術資料

		DCD791	DCD796
最大電壓/標稱電壓	V <sub>DC</sub>	20/18	20/18
電池類型		鋰離子電池	鋰離子電池
功率輸出	W	460	460
空載轉速			
1 檔	min <sup>-1</sup>	0-550	0-550
2 檔	min <sup>-1</sup>	0-2000	0-2000
衝擊率			
1 檔	min <sup>-1</sup>	—	0-9,350
2 檔	min <sup>-1</sup>	—	0-34,000
最大扭矩 (硬/軟)	Nm	70/27	70/27
夾頭尺寸	mm	1.5-13.0	1.5-13.0
最大鑽孔效能			
木材	mm	40	40
金屬	mm	13	13
磚石	mm	—	13
重量 (不包括電池組)	kg	1.1	1.2

電池組	DCB180	DCB181	DCB182	DCB183/B	DCB184/B	DCB185	DCB205
電池類型	鋰電子電池	鋰電子電池	鋰電子電池	鋰電子電池	鋰電子電池	鋰電子電池	鋰電子電池
電壓	18	18	18	18	18	18	20
電池容量	Ah	3.0	1.5	4.0	2.0	5.0	1.3
重量	kg	0.64	0.35	0.61	0.40/0.45	0.62/0.67	0.35

充電器	DCB105			
主電壓	V <sub>AC</sub>	110		
電池類型	鋰離子電池			
電池組的大約充電時間	分鐘	25 (1.3 Ah)	30 (1.5 Ah)	40 (2.0 Ah)
		55 (3.0 Ah)	70 (4.0 Ah)	90 (5.0 Ah)
重量	kg	0.49		

充電器		DCB107			DCB112		
主電壓	V <sub>AC</sub>	110			110		
電池類型		鋰離子電池			鋰離子電池		
電池組的 大約充電時間	分鐘	60 (1.3 Ah)	70 (1.5 Ah)	90 (2.0 Ah)	40 (1.3 Ah)	45 (1.5 Ah)	60 (2.0 Ah)
		140 (3.0 Ah)	185 (4.0 Ah)	240 (5.0 Ah)	90 (3.0 Ah)	120 (4.0 Ah)	150 (5.0 Ah)
重量	kg	0.29			0.36		

充電器		DCB113			DCB115		
主電壓	V <sub>AC</sub>	110			110		
電池類型		鋰離子電池			鋰離子電池		
電池組的 大約充電時間	分鐘	30 (1.3 Ah)	35 (1.5 Ah)	50 (2.0 Ah)	25 (1.3 Ah)	30 (1.5 Ah)	40 (2.0 Ah)
		70 (3.0 Ah)	100 (4.0 Ah)	120 (5.0 Ah)	55 (3.0 Ah)	70 (4.0 Ah)	90 (5.0 Ah)
重量	kg	0.4			0.5		

**注意:** 20V Max為最大初始電池電壓（無負載測量）。額定電壓為18V

## 定義：安全指南

以下定義描述了每一個詞彙的嚴重程度。請閱讀本手冊並注意這些符號。



**危險：**表示緊急危險情況，若未能避免，將導致死亡或嚴重傷害。



**警告：**表示潛在危險情況，若未能避免，可能導致死亡或嚴重傷害。



**小心：**表示潛在危險情況，若未能避免，可能導致輕微或中度傷害。

**注意：**表示一種非人身傷害的行為，若未能避免，可能導致財產損失。



表示觸電危險。



表示火災危險。



**警告：**為了降低受傷的風險，必須仔細閱讀使用手冊。

## 電動工具一般安全警告



**警告！**請閱讀所有安全警告及使用指示。不遵循這些警告和說明可能會導致觸電、火災及/或嚴重傷害。

請妥善保存所有的警告和操作手冊以備將來查閱

警告中的名詞「電動工具」是指電源驅動（插電）電動工具，或者電池驅動（充電）電動工具。

### 1) 工作場地安全

- 保持工作場地清潔和明亮。混亂或黑暗的場地會引發事故。

- 請勿在易爆環境，如有易燃液體、氣體或粉塵的環境中操作電動工具。電動工具產生的火花會點燃粉塵或氣體。
- 請等待兒童和旁觀者離開之後才操縱電動工具。分心會導致您疏於控制。

### 2) 電氣安全

- 電動工具插頭必須與插座相符。切勿以任何方式改裝插頭。需接地的電動工具不能使用任何配接器插頭。未經改裝的插頭和相符的插座可以減少觸電危險。
- 避免人體接觸接地表面，如管道、散熱片、爐灶和冰箱。若您的身體接地，會增加觸電危險。
- 不得將電動工具暴露在雨中或潮濕環境中。水進入電動工具會增加觸電危險。
- 請勿濫用電線。請勿使用電線來搬運、拉動電動工具或拔出插頭。讓電線遠離熱、油、銳邊和活動部件。受損或纏繞的電線會增加觸電危險。
- 若要在戶外使用電動工具，請使用適合戶外使用的延長電線。使用適合戶外使用的電線可減少觸電危險。
- 若必須在潮濕場合使用電動工具，請使用漏電保護器（RCD）。使用 RCD 可降低觸電危險。

### 3) 人身安全

- 保持警覺；在操作電動工具時，請留意所執行的操作並按照一般的常識執行。請勿在疲倦，或受到藥物、酒精或治療的影響下操作電動工具。操作電動工具期間注意力分散會導致嚴重人身傷害。
- 使用個人防護裝置。始終佩戴護目裝備。防護裝置，例如在適當條件下使用的防塵面具、防滑安全鞋、安全帽或聽力保護等裝置可減少人身傷害。
- 避免意外啟動。連接電源及/或電池組、舉抬或搬運電動工具之前，請確定開關處於關閉位置。搬運電動工具時若將手指放在開關

上，或電動工具接通電源時開關處於開啟位置都會引發危險。

- d) 啟動電動工具之前，請卸下所有的調整鑰匙或扳手。遺留在電動工具旋轉部件上的扳手或鑰匙會導致人身傷害。
  - e) 不要過度伸張雙手。時刻注意腳下與身體的平衡。如此即可在發生意外的情況下更好地控制電動工具。
  - f) 適當穿著。請勿穿寬鬆衣服或佩戴飾品。讓您的頭髮、衣服和手套遠離活動部件。寬鬆衣服、佩飾和長髮可能會捲入活動部件。
  - g) 若配備用於連接排屑裝置、集塵設備的裝置，請確定正確連接和使用這些裝置。使用集塵設備可減少與粉塵有關的危險。
- 4) 電動工具的使用與維護
- a) 請勿超負荷使用電動工具。根據您的用途使用適當的電動工具。使用適當的電動工具在其設計可負荷的應用內，會讓您更有效、更安全地執行工作。
  - b) 若開關不能開啟或關閉電源，請勿使用該電動工具。不能用開關來控制的電動工具將存在危險，因此必須進行修理。
  - c) 在執行任何調整、更換配件或儲存工具之前，必須從電源上拔掉插頭及/或卸下電池組。這類防護性措施可降低電動工具意外啟動的風險。
  - d) 將閒置的電動工具儲存在兒童無法接觸的地方，並且不要讓不熟悉電動工具或對這些使用指示不瞭解的人員操作電動工具。電動工具在未經培訓的使用者手中會發生危險。
  - e) 維護電動工具。檢查活動部件是否對準或卡住、破損情況以及是否存在影響電動工具運行的其他情況。若有損毀，必須在使用之前修理電動工具。許多事故都是由於電動工具欠缺維護所導致。
  - f) 保持切削工具鋒利和清潔。妥善維護的帶利刃的切削工具不會輕易卡住並可更輕鬆控制。
  - g) 使用電動工具、配件和工具刀頭等時，請遵循這些指示使用，且指示須包含工作環境和所要執行工作的注意事項。不按照設計目的使用電動工具會導致危險。

#### 5) 電池工具的使用與注意事項

- a) 只能使用製造廠商指定的充電器為電池充電。使用僅適合一種電池組的充電器為其他類型的電池組充電會導致火災危險。
- b) 請使用原廠的電動工具電池組。使用其他非原廠的電池組會導致人身傷害和火災危險。
- c) 不使用電池組時，請將其遠離如迴紋針、硬幣、鑰匙、釘子、螺絲以及其他可連通電池兩極的金屬物品。將電池兩極短路會導致灼傷或火災。
- d) 濫用電池的情況下，液體會從電池中噴出；避免與液體接觸。若不小心接觸液體，請用清水沖洗。若液體噴濺到眼睛上，沖洗之後還要進行治療。從電池噴出的液體會刺激皮膚或造成灼傷。

#### 6) 檢修

- a) 本電動工具必須由合格的維修人員並只採用相同的替換零件來執行檢修。這樣將確保電動工具的安全。

## 震動電鑽調鈕起子機之其他特殊安全規定

- 請在使用震動電鑽時佩戴聽力保護器。噪音會使聽力受損。
- 請使用工具隨附的輔助手柄。工具失控會導致人身傷害。
- 若在執行操作時切削配件可能會接觸隱藏的電線，則從絕緣手柄表面握住電動工具。切削配件接觸到「帶電」導線，電動工具金屬部件表面就會「帶電」，從而導致操作人員觸電。
- 若在執行操作時扣件可能會接觸隱藏的電線，請從絕緣手柄表面握住電動工具。若緊固件接觸到「帶電」導線，電動工具金屬部件表面就會「帶電」，從而導致操作人員觸電。
- 使用夾具或採取其他可行的方法，將工件固定、支撐到穩定的平台上。手持或用身體頂住工件都是不穩定的，並會導致操作失控。
- 請佩戴護目鏡或其他護目裝備。錘擊和鑽孔會引致碎片飛散。飛散的顆粒可以對眼睛造成永久傷害。
- 配件和工具會在作業過程中變熱。若進行放熱應用（如錘鑽或金屬鑽孔），處理時請佩戴手套。
- 切勿長時間操作此工具。破碎機電動鎚產生的震動可能令您的雙手和手臂受傷。請佩戴手套加強保護，而且經常稍作休息，減少承受的震力。
- 通風口通常會蓋住活動部件，應予以避免。寬鬆衣服、佩飾或長髮可能會捲入活動部件。

## 剩餘風險

即使應用有關的安全規定並採用安全設備，仍然還有一些無法避免的剩餘風險。危險包括：

- 聽力受損。
- 更換配件時擠壓手指的危險。
- 在木材工作環境下，吸入塵埃所造成的健康危害。
- 飛散的顆粒引起的人身傷害風險。
- 長時間使用引起的人身傷害風險。

## 工具上的標誌

工具上會附帶下列圖示：



使用前請閱讀使用手冊。



可見輻射。請勿直視光源。

日期代碼位置

日期代碼，包括 製造年份，已經印刷在工具外殼上。

範例：

2016 XX XX

製造年份

## 所有電池充電器之重要安全指示

妥善保存這些安全指示：本手冊提供有關相容電池充電器的重要安全和操作指示（請參閱技術資料）。

- 在使用充電器之前，請先閱讀所有指示以及充電器、電池組和使用電池組的產品上的警告標誌。



**警告：**觸電危險。切勿讓任何液體進入充電器，否則可能會導致觸電。



**警告：**建議使用漏電額定值不超過 30mA 的漏電保護器。



**小心：**燒傷危險。為了減低受傷風險，只可以使用 DEWALT 可再充電的電池。其它非原廠電池可能會爆裂，導致人身傷害和損害。



**小心：**必須監督小孩，確保他們沒有耍玩具。

**注意：**在某些情況下，充電器連接到電源後，充電器內暴露的充電觸頭會被異物導致短路。導電的異物，包括但不限於鋼絲絨、鋁箔紙或任何由金屬粒子組成的物件，必須要遠離充電器範圍。充電器裡沒有電池組時，一定要拔掉充電器的電源。請先拔掉電源插頭後再清潔充電器。

- 切勿嘗試使用本手冊未提到的充電器替電池組充電。充電器和電池組是為了共同使用而特別設計。
- 除了為 DEWALT 可再充電的電池充電之外，這些充電器不可以用於其他用途。否則可能會導致火災、觸電或觸電致死。
- 切勿把充電器暴露在雨、雪之中。
- 中斷充電器的電源時，請拔除插頭而非拉扯電線。這樣會減低電源插頭和電線損壞的風險。
- 請確保電線的位置不會被踐踏、令人絆倒，或引起其他方式的損壞或受壓。
- 除非絕對需要，否則請勿使用延長電線。使用不適當的延長電線會引起火災、觸電或觸電致死。
- 請勿將任何物件放在充電器上面，或是把充電器放在可能會堵住通風槽的柔軟表面，導致充電器的內部過熱。請將充電器放到遠離熱源的位置。充電器透過外殼頂部和底部的通風槽散熱。
- 切勿操作電線或插頭損壞的充電器一請立即更換損壞的部分。

- 如果充電器受到重擊、墜落或出現其他損壞情況，請勿使用充電器，並拿到授權維修中心修理。
- 切勿自行拆卸充電器。需要維護或修理時，請拿到授權維修中心。重新組裝不當可能會導致觸電、觸電致死或火災。
- 若電源線損毀，必須讓製造廠商、檢修代理或類似合格人員更換以避免發生危險。
- 在試圖清潔之前，請將充電器的插頭從電源插座上拔掉，這樣可以減低觸電風險。拆除電池組並不能夠降低這種風險。
- 切勿試圖將兩個充電器連接在一起。
- 充電器是為標準 110V 家用電源而設計。切勿試圖使用其他電壓。本規定不適用於車載充電器。

請保存這些安全指示

## 充電器

DCB105、DCB107、DCB112、DCB113 和 DCB115 充電器可以向 10.8 V、14.4V、18V 和 20V max 鋰離子 XR (DCB140、DCB141、DCB142、DCB143、DCB144、DCB145、DCB180、DCB181、DCB182、DCB183、DCB183B、DCB184、DCB184B、DCB185 和 DCB205) 電池組充電。

DEWALT 充電器毋須調節，極易使用。

## 充電程序 (圖 2)

1. 放進電池組前，先將充電器的插頭插到適當的插座。
2. 將電池組 (J) 滑入充電器，確保電池組緊緊固定並鎖定到位。紅燈 (充電中) 會不斷閃爍，這表示充電程序已經開始。
3. 當紅燈會持續亮起時，代表充電完成。這個時候，電池組的電力全滿，可以立即使用或是留在充電器裡。

注：為了確保鋰離子電池的效能和使用壽命最大化，在第一次使用電池組之前必須將它完全充電。

## 充電程序

請見下表瞭解電池組的充電狀態。

充電指示燈：DCB105



充電中



電力全滿



電池組熱/冷延遲



更換電池組



充電指示燈：DCB107、DCB112、DCB113、DCB115



\*DCB107、DCB112、DCB113、DCB115：紅燈會繼續閃爍，但在執行此操作期間黃色指示燈將亮起。電池達到適當溫度後，黃色指示燈將熄滅，充電器將恢復充電程序。

相容的充電器不會為故障的電池組充電。充電器會透過不亮燈或顯示電池組故障或充電器閃爍模式來表示電池組故障。

注：亦有可能是充電器發生故障。

如果充電器指出故障，請將充電器和電池組拿到授權維修中心進行測試。

### 電池組熱/冷延遲

當充電器偵測到電池過熱或過冷，就會自動啟動電池組熱/冷延遲，在電池達到適合的溫度之前暫停充電。然後，充電器會自動轉換到電池組充電模式。這項功能有效延長電池的壽命。

冷的電池組的充電率大約是暖的電池組的一半。在整個充電週期，電池組會以較慢的充電速度進行充電，即使電池變暖，充電速度亦不會回復至最大充電速度。

### 僅限鋰離子電池組

XR 鋰離子工具透過電子保護系統設計，保護電池免受過載、過熱或深度放電。

如果電子保護系統啟動，本工具會自動關閉。如果出現此情況，請將鋰離子電池放進充電器直到電力全滿。

## 所有電池組之重要安全指示

購買更換電池組時，務必附上目錄號和電壓資料。

包裝內的電池組並未完全充電。在使用電池組和充電器之前，請先閱讀以下安全指示，並遵循所列的充電程序。

### 請閱讀所有指示

- 不要在易爆環境，如有易燃液體、氣體或粉塵的環境中進行充電或使用電池。將電池組放進充電器或拆除電池可能會點燃粉塵或氣體。
- 切勿強行將電池放進充電器。切勿以任何方式改裝電池組以在不相容的充電器中使用，否則電池組可能會破裂，導致嚴重人身傷害。
- 只可使用 DEWALT 充電器為電池充電。
- 請勿將水分或其他液體飛濺到電池組或將電池組浸沒。
- 請勿在溫度可能達到或超過 40 °C (104 °F) 的地方（例如夏季時沒有遮擋的棚子或金屬建築物）儲存或使用本工具和電池。



**警告：**不論是因為任何理由，都不要嘗試打開電池。如果電池組的外殼破裂或損毀，請勿放進充電器。切勿撞擊、摔落或損毀電池組。切勿使用受到重擊、墜落或出現其他損壞情況的電池組或充電器（例如釘子刺穿、以錘子敲打或踐踏）。否則可能會引起觸電或觸電致死。損毀的電池組應該送回維修中心進行回收。



**小心：**不使用工具時，請將工具放在穩定的表面上，以免導致絆倒或墜落等危險。一些具有大型電池組的工具可以直立但可能會輕易被撞倒。

### 鋰離子電池 (Li-Ion) 之特殊安全指示

- 即使電池組已嚴重損毀或磨損，請勿焚燒電池組。電池組可能會在火中爆炸。焚燒鋰離子電池組時會產生有毒氣體和物料。
- 如果電池液體接觸到皮膚，請立即以中性肥皂和清水沖洗接觸範圍。若電池液進入眼睛，立即用清水沖洗 15 分鐘或直到刺激停止。如果需要接受治療，電池的電解質由液化有機碳酸鹽和鋰鹽構成。
- 開啟的電池中的物質可能會導致刺激呼吸道。請轉移至空氣流通處。如果症狀持續，請尋求醫療協助。



**警告：**燒傷危險。電池液如遇到火花或火焰可能會引起燃燒。

## 運輸

DEWALT 電池符合所有使用的行業和法律標準規定的運輸規定，包括聯合國危險貨物運輸建議書、國際航空運輸協會 (IATA) 危險物品處理規則、國際海運危險物品 (IMDG) 處理規則以及國際公路運送危險物品歐洲協議 (ADR)。鋰離子電池和電池組均已根據《聯合國危險貨物運輸建議書測試與標準手冊》第 38.3 節的規定進行測試。

大多數情況下，運輸 DEWALT 電池組不會被歸為完全管制的第 9 類危險品。屬於第 9 類危險品運輸的情況通常有兩種：

1. 空運兩個以上的 DEWALT 鋰離子電池組，且包裝中只包含電池組（不含工具），以及
2. 任何運輸中包含能量級大於 100 瓦時 (Wh) 的鋰離子電池。所有鋰離子電池外殼上均標註有瓦時等級。

無論運輸是否納入完全管制範圍內，運輸方均有責任諮詢瞭解針對包裝、標籤/標記及單據要求的最新規定。

電池運輸途中，若兩級意外接觸導電材料，可能會引發火災。運輸電池時，確保電池兩級受到保護並與可能接觸兩級並導致短路的材料隔離。

手冊本節資訊基於良好商譽原則提供，在編製文件時被視為準確無誤，但不提供任何明示或暗示的保證。買方負有確保其行為遵守適用法規的責任。

## 電池組

### 電池類型

DCD791 和 DCD796 使用 18V / 20V Max 電池組。

DCB180、DCB181、DCB182、DCB183、  
DCB183B、DCB184、DCB184B、DCB185 或  
DCB205 的電池組也可以使用。

請參閱**技術資料**瞭解更多資訊。

### 儲存建議

1. 乾燥、涼爽、太陽不會直接照射、不會過熱或過冷的地方，就是電池組的最佳存放地點。為達到最大效能和使用壽命，不使用電池時請以室溫儲存電池組。
2. 欲長期儲存，建議將電力全滿的電池組從充電器卸下，儲存於涼爽、乾燥處，使電池組效能達到最佳。

**注：**電池組不應在電力耗盡的情況下儲存。在使用之前，電池組必須再次充電。

### 充電器和電池組上的標籤

除了本手冊的圖示之外，充電器和電池組上的標籤包含以下圖示：



使用前請閱讀使用手冊。



充電時間請見**技術資料**。



電池正在充電。



電池充電完畢。



電池受損。



電池組熱/冷延遲。



切勿插入導電體。



切勿為損毀的電池組充電。



切勿暴露在水中。



立即更換損壞的電線。



只在溫度介於 4°C 至 40°C 之間充電。



僅供室內使用。



棄置電池組時要顧及環保。

只使用原廠的 DeWALT 充電器為 DeWALT 電池組充電。使用 DeWALT 充電器對指定的 DeWALT 電池以外的電池組充電會爆裂或導致其他危險情形（請參閱**技術資料**）。



切勿焚化電池組。

### 套裝內的物件

本套裝包括：

- 1 個 電鑽/起子機或 1 個電鑽/起子機/電錘鑽
- 1 個 充電器
- 1 個 鋰離子電池組 (C1、S1、D1、M1、P1型號)
- 2 個 鋰離子電池組 (C2、S2、D2、M2、P2型號)
- 3 個 鋰離子電池組 (C3、S3、D3、M3、P3型號)
- 1 個 工具箱
- 1 本 使用手冊
- 1 本 Tool Connect™ App 使用手冊 (B 型號)

**註：**N 型號不隨附電池組、充電器和工具箱。NT 型號不隨附電池組和充電器。B 型號包含 Bluetooth® 電池組。

**注：**Bluetooth® 文字標記和徽標是歸 Bluetooth®, SIG, Inc. 所有的註冊商標，DeWALT 使用此類標記皆取得了授權。其它商標和商品名稱歸屬於其各自所有者。

- 檢查工具、部件或配件有否在運送途中損壞。
- 操作前，請抽空徹底地閱讀和掌握本手冊的內容。

### 描述 (圖 1)



**警告：**切勿改動本電動工具或其任何部件，可能導致損害或人身傷害。

- A. 觸發開關
- B. 正/反轉控制按鈕
- C. 扭矩調整環
- D. 換檔器
- E. 工作燈
- F. 無鎖匙夾頭
- G. 皮帶扣
- H. 安裝螺絲
- I. 起子頭
- J. 電池組
- K. 電池釋放按鈕
- L. 工作燈開關

## 設計用途

這些電鑽/起子機/電錘鑽是為專業鑽孔、衝擊鑽孔和螺絲安裝而設計。

請勿在潮濕有水或存有易燃液體或氣體的環境下使用本工具。

這些電鑽/起子機/電錘鑽是專業電動工具。

請勿讓兒童接觸此工具。缺乏經驗的操作人員需要在監督下使用本工具。

- **兒童和體弱者。** 兒童或體弱者在沒有他人監督的情況下不適宜使用本工具。
- 體力、感覺或智力不足，以及缺乏經驗、知識或技能的人員（包括兒童）不適合使用本產品，除非一旁有能為他們安全負責的監督人員。切勿讓兒童單獨接觸本工具。

## 電氣安全

電動機只適用一種電壓。請務必檢查電池組電壓是否與銘牌一致，並且確保充電器的電壓與電源電壓一致。



DEWALT 充電器根據 IEC60335 進行雙重絕緣，因此不需要使用接地線。

若電源線損壞，必須使用 DEWALT 維修機構提供的專用電線進行更換。

## 使用延長纜線

如非絕對必要，否則不要使用延長電線。請使用與充電器的輸入功率相配的認可延長電纜（請參閱**技術資料**）。導電體的最小尺寸為 1 平方公釐；最長為 30 米。

使用電纜捲筒時，每次必須把電纜完全展開。

## 裝配與調整



**警告：**為了減低造成嚴重人身傷害的風險，在進行任何調整或卸下或安裝附件或配件之前，切記關掉工具的電源並取出電池組。意外啟動工具可能會造成傷害。



**警告：**只可以使用 DEWALT 電池組和充電器。

## 放進及取出工具的電池組（圖 2）

註：請確保電池組 (J) 完全充滿。

### 將電池組安裝到工具手柄中

1. 將電池組 (J) 和工具手柄裡的軌道對齊（圖 2）。
2. 將電池組滑入手柄，直到電池組在工具內緊緊固定並確保聽到鎖定位的聲音。

### 卸下工具內的電池

1. 按下釋放按鈕 (K)，將電池組從工具手柄中穩妥地拉出。

2. 按照本手冊有關充電器的章節所述，將電池組放進充電器。

## 電量計電池組（圖 2）

一些 DEWALT 電池組帶有包含三個綠色 LED 燈的電量計，可以指示電池組的剩餘電量。

若要啟用電量計，按下並按住電量計按鈕 (P)。三個綠色 LED 燈將以組合方式亮起，以指示剩餘電量。電池電量低於可用限值時，電量計不會亮起，此時需要對電池充電。

註：電量計只指示電池組的剩餘電量。它並不指示工具功能，且根據工具組件、溫度和最終使用者的應用而有所不同。

## 變速觸發開關（圖 1）

若要啟動工具，請按壓觸發開關 (A)。若要關閉工具，請鬆開觸發開關。本工具配有制動器。一旦完全鬆開觸發開關，夾頭就會馬上停止。

註：不建議在變速範圍內進行持續使用。這會損壞開關，應當避免。

## 正/反轉控制按鈕（圖 1）

正/反轉控制按鈕 (B) 決定工具的方向，同時具備鎖止按鈕功能。

若要選擇正轉，請鬆開觸發開關，然後按下工具右邊的正/反轉控制按鈕。

若要選擇反轉，請按下工具左邊的正/反轉控制按鈕。

當控制按鈕處於中心位置時，工具會被鎖定在關閉位置。要改變控制按鈕的位置時，請確保觸發器已經鬆開。

註：當您改變轉動方向後第一次操作工具，您可能會在啟動時聽到卡嗒聲。這是正常現象，不代表工具故障。

## 扭矩調整環（圖 1）

您的工具有一個可調節的扭矩螺絲起子機構，用來安裝和取出各種形狀和大小的扣件，而且在某些型號中還有一個錘擊機構，用來磚石鑽孔。調整環 (C) 的周圍是編號和鑽頭符號，在某些型號中，還有錘子符號。這些編號用於設定離合器以提供扭矩範圍。調整環上的編號越大，扭矩越高，且可安裝的扣件也越大。若要選擇任一編號，請旋轉調整環直到所需的編號與箭頭對齊。

註：扭矩調整環只在螺絲安裝模式中接合，在電鑽和錘鑽模式中則不會。

## 雙速排擋（圖 1）

藉助電鑽/起子機的雙速功能，您可進行換檔以獲得更大的適用性。

1. 若要選擇速度 1（高扭矩設定），請關閉工具並讓它停止轉動。將換檔器 (D) 向前滑動（滑向夾頭）。

- 若要選擇速度 2 (低扭矩設定)，請關閉工具並讓它停止轉動。將換檔器向後滑動 (遠離夾頭)。

**注：**工具運轉時不要換檔。換檔之前，務必等待電鑽完全停止。如果無法換擋，請確保雙速換檔器已完全向前推動或完全向後推動。

## LED 工作燈 (圖 1)

LED 工作燈 (E) 及其工作燈開關 (L) 位於工具的底座上。按壓觸發開關時，工作燈就會亮起。可以透過撥動工具底座上的開關來切換低 (M)、中 (N) 和聚光燈 (O) 模式。在所有模式下，如果觸發開關處於按下狀態，則工作燈會持續亮起。

當處於低 (M) 和中 (N) 設定時，光束會在鬆開觸發後開關 20 秒自動關閉。

### 聚光燈模式

高設定 (O) 為聚光燈模式。聚光燈將在觸發開關鬆開後持續亮起 20 分鐘。聚光燈熄滅前兩分鐘時，將閃爍兩次然後變暗。為避免閃光燈熄滅，輕輕按下觸發開關。



**警告：**當在中模式或聚光燈模式下使用聚光燈時，請勿直視光源或者將電鑽置於可能造成任何人直視光源的位置。可能導致嚴重的眼部傷害。



**小心：**當將工具用作聚光燈時，確保將工具緊固於不會造成絆倒或跌倒危險的穩定表面上。



**小心：**在將工具用作聚光燈前，請從夾頭拆下所有配件。可能導致人身傷害或財產損失。

### 電池電量低警告

當處於聚光燈模式下並且電池電量排放完時，聚光燈會閃爍兩次然後變暗。兩分鐘後，電池電量將排放完，電鑽會立即停機。此時，請更換充滿電的電池。



**警告：**為了降低受傷風險，請務必準備可用的備用電池或第二照明源 (若您覺得情況合適)。

## 無鎖匙單套夾頭 (圖 7-9)



**警告：**不要嘗試透過握住夾頭前部並啟動工具來擰緊鑽頭 (或任何其它附件)。這可能會導致夾頭損壞和人身傷害。更換配件時，務必鎖定觸發開關並斷開工具電源。



**警告：**啟動工具之前應確保鑽頭安裝穩固。鬆動的鑽頭可能會從工具脫落，從而可能導致人身傷害。

您的工具配無鎖匙夾頭 (F)，帶有一個旋轉套管，以便單手操作夾頭。若要插入鑽頭或其他配件，請執行以下步驟。

- 關閉工具並斷開工具電源。

- 用一隻手抓住夾頭的黑色套管，用另一隻手固定工具。逆時針旋轉套管到可接受所需配件的程度。

- 將配件插入夾頭約 19 公釐 (3/4") 處，然後用一隻手順時針旋轉夾頭，另一隻手則握住工具，將配件擰緊。您的工具配有一個自動主軸鎖機構。藉助此機構，您只需一隻手即可開啟和關閉夾頭。

**注：**擰緊夾頭時，務必用一隻手握住夾頭套管，用另一隻手握住工具，以獲得最大的緊密性。

若要鬆開配件，請重複上述步驟 1 和 2。

## 皮帶扣和鉗頭夾具 (圖 1)



**警告：**為了減低造成嚴重人身傷害的風險，在進行任何調整或卸下或安裝附件或配件之前，切記關掉工具的電源並取出電池組。



**警告：**為了減低造成嚴重人身傷害的風險，切勿將工具懸吊於頭頂或用皮帶扣懸吊物件。只可以用工作皮帶懸掛工具的皮帶扣。



**警告：**為了減低造成嚴重人身傷害的風險，請確保固定皮帶扣的螺釘已緊固。

**重要：**安裝或更換皮帶扣或鉗頭夾具時，請僅使用提供的螺絲 (H)。確保扭緊螺釘。

可根據使用者慣用左手或右手，使用提供的螺絲 (H) 將皮帶扣 (G) 和鉗頭夾具 (I) 固定在工具的任意一側。如果不需要使用皮帶扣或鉗頭，則可將其從工具上卸下。

若要移動皮帶扣或鉗頭夾具，請卸下將其固定到位的螺絲 (H)，然後在反面重新安裝。確保扭緊螺絲。

## 操作

### 使用說明



**警告：**務必遵守安全指示和適用的規則。



**警告：**為了減低造成嚴重人身傷害的風險，在進行任何調整或卸下或安裝附件或配件之前，切記關掉工具的電源並取出電池組。意外啟動工具可能會造成傷害。

## 正確的雙手放置位置 (圖 3)



**警告：**為降低遭受嚴重人身傷害的風險，務必如圖示那樣正確放置雙手。



**警告：**為了減低造成嚴重人身傷害的風險，預期有突然反應時務必握緊。

正確的雙手放置位置是一隻手放在電鑽 (Q) 頂端 (如圖所示)，另一隻手握住主手柄 (R)。



## 電鑽操作 (圖 1、4)



**警告：為了減低造成嚴重人身傷害的風險，務必確保工件已穩固地固定或夾住。若要在薄的材料上鑽孔，請使用木塊墊住以預防材料損壞。**

1. 將調整環 (圖 4, C) 轉至電鑽符號。
2. 使用換檔器 (圖 1, D) 選擇所需的速度/扭矩範圍以與操作計畫的速度和扭矩相符。
3. 對於木材，應使用麻花鑽頭、扁鑽頭、機械螺旋鑽頭或孔鋸。對於金屬，應使用高速鋼麻花鑽頭或孔鋸。在金屬上鑽孔時使用切割潤滑劑。鑄鐵和黃銅是例外，它們應保持乾燥而直接鑽孔。
4. 始終以與鑽頭方向成一直線的方式施加壓力。使用足夠的壓力讓鑽頭持續穿透，但不要太大力以致讓電動機失速或鑽頭偏斜。
5. 使用雙手緊握電鑽以控制電鑽的旋轉動作。如果該型號不帶側手柄，則用一隻手抓住電鑽手柄，另一隻手則抓住電池組。



**小心：如果過載，電鑽可能會失速，導致突然旋轉。請保持警覺，並隨時有失速的心理準備。緊握電鑽以控制旋轉動作，避免傷害。**

6. **電鑽失速**，通常是因為過載或使用不當導致。請立即鬆開觸發器，從工件上退出鑽頭，查找失速的原因。**不要按下又鬆開觸發器以試圖啟動失速的電鑽——這會損壞電鑽。**
7. 為儘量減少失速故障或避免鑽頭在材料中折斷，請降低對電鑽的壓力，使鑽頭從孔的最後部分中緩和下來。
8. 將鑽頭從已鑽好的洞拔出時，讓電機保持運轉。這有助於防止卡死。
9. 使用變速電鑽時，無需中心沖定位。啟動時採用較低速度，當鑽深足以防止跳鑽時，加力擠壓觸發器，使電鑽加速。

## 錘擊操作 (僅限 DCD796) (圖 1、5)

1. 將調整環 (C) 轉至電錘鑽符號。
2. 向後滑動換檔器 (D) (遠離夾頭)，選擇高速 (2) 設定。

**重要資訊：**只使用硬合金鑽頭或磚石鑽頭。

3. 鑽孔時，只需對電鑽施加足夠的力，以防止過度反彈或「脫離」鑽頭。過大壓力將導致鑽孔速度變慢，過熱，鑽孔速度降低。
4. 直線鑽孔，保持鑽頭與工件成直角。鑽孔時不要在鑽頭上施加側壓力，這將導致鑽頭凹槽阻塞，鑽孔速度變慢。
5. 鑽深孔時，如果鑽孔速度開始減慢，在工具仍運轉的情況下，從孔中拔出部分鑽頭以幫助清理鑽屑。

注：如果鑽屑平滑、均勻地流出，則表明鑽孔速度適當。

## 螺絲起子操作 (圖 1、6)

1. 將扭矩調整環 (C) 轉至所需位置。
2. 使用換檔器 (D) 選擇所需的速度/扭矩範圍以與操作計畫的速度和扭矩相符。

**注：**使用所要求的最小扭矩設定將螺絲固定在所需深度。編號越小，扭矩輸出就越高。

3. 將所需的扣件配件插入任意鑽頭的夾頭。
4. 在較小或隱蔽區域進行一些實際運轉以確定夾頭調整環的正確位置。
5. 務必先從較低的扭矩設定開始，然後再使用較高的扭矩設定以避免損壞工件或扣件。

## 維護

DEWALT 電動工具採用卓越的設計，能夠長時間使用，並且只需最少的維護。若要持續獲得滿意的操作效果，需進行正確的工具維護與定期的清潔。



**警告：為了減低造成嚴重人身傷害的風險，在進行任何調整或卸下或安裝附件或配件之前，切記關掉工具的電源並取出電池組。意外啟動工具可能會造成傷害。**

充電器和電池組是不可檢修的裝置。



## 潤滑

本電動工具毋需額外潤滑。



## 清潔



**警告：**一旦通風口及其周圍積聚可見的粉塵，請立即使用乾燥的壓縮空氣吹掉主機外殼內的粉塵和灰塵。執行此步驟時，請佩戴經認可的護目鏡和經認可的防塵面具。



**警告：**切勿使用溶劑或其他刺激性化學品來清潔工具的非金屬部件。這些化學品可能會削弱部件中使用的材料。只能使用抹布蘸中性肥皂水進行清潔。不要讓任何液體進入工具；不要讓工具的任何部分浸入液體中。

## 充電器清潔指示



**警告：**觸電危險。在清潔之前，請將充電器的插頭從電源插座上拔掉。使用軟布或非金屬軟刷，去除充電器外部的污垢和油脂。請勿使用水或任何清潔劑。

## 選購配件



**警告：**由於非 DEWALT 所提供的配件未在本產品上進行過使用測試，在本產品上使用這些配件可能會導致危險。為降低傷害危險，在本產品上只應使用 DEWALT 所推薦的配件。

如需進一步瞭解適用配件的相關資訊，請洽詢當地代理商。

## 保護環境



分類收集。本產品必須與一般家庭廢物分開處置。

若您發現您的 DEWALT 產品需要更換，或對您已無使用價值，請勿將其與家居廢物一起丟棄。請務必將本產品送往分類收集處。



分類收集用過的產品和包裝允許材料循環再生利用。重新使用循環利用的材料有助於防止環境污染，並減少原材料的需求。

當地法規可能要求由市政廢物回收點，或由向您出售新產品的經銷商來提供將電子產品與家庭廢物分類收集的服務。

DEWALT 在其產品使用壽命結束時提供 DEWALT 產品收集和回收利用的便利。若要享受此項服務，請將產品送回任一授權維修中心，由其代表我們進行收集。

請根據本手冊上所提供地址與當地 DEWALT 辦事處聯絡，查詢離您最近的授權維修中心所在位置。您亦可瀏覽網站查詢 DEWALT 授權維修中心清單和售後服務及聯絡資料之詳細資訊，網址是：

[www.2helpU.com](http://www.2helpU.com)。



## 可充電電池組

本電池組使用壽命長，如無法完成理應輕鬆完成的工作時，必須為電池組充電。在使用壽命結束時，請妥善處置以保護我們的環境：

- 使電池完全放電，然後將它從工具中卸下。
- 鋰離子電池是可回收的。請將它們送往您的代理商或當地的回收站。所收集的電池組將會再循環利用或妥善處置。

進口商: 新加坡商百得電動工具(股)公司台灣分公司

地址: 台北市士林區德行西路33號2樓

電話: 02-28341741

總經銷商: 永安實業股份有限公司

地址: 新北市三重區新北大道二段137號

電話: 02-29994633



