

DEWALT®

www.DEWALT.com

DCF008

English (*original instructions*)

3

Français (*traduction de la notice d'instructions originale*)

10

العربية: (مترجم عن التعليمات الأصلية)

18

Figure A

شکل A

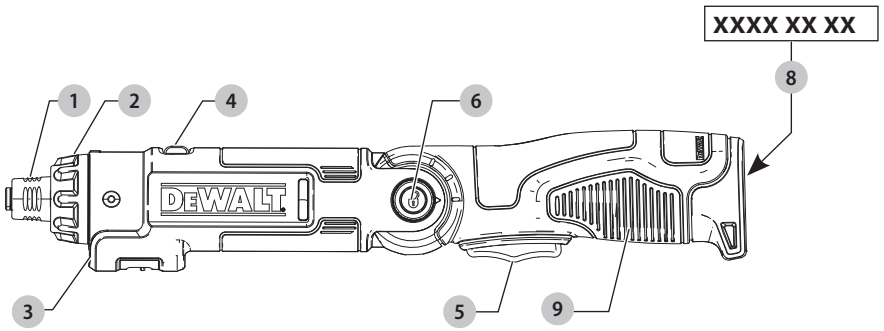


Figure B

شکل B

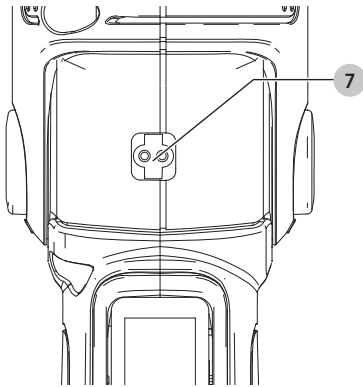


Figure C

شکل C

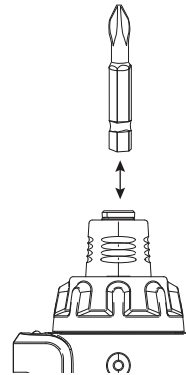


Figure D

شکل D

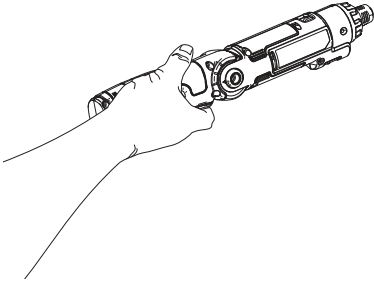


Figure E

شکل E

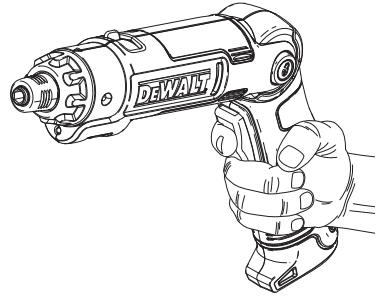
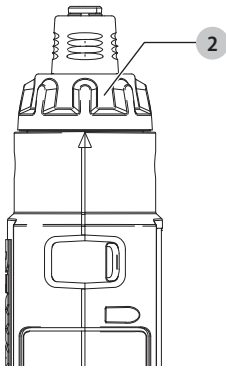


Figure F

شکل F



8V SCREWDRIVER

DCF008

Congratulations!

You have chosen a DEWALT tool. Years of experience, thorough product development and innovation make DEWALT one of the most reliable partners for professional power tool users.

Technical Data

		DCF008
Voltage	V _{oc}	8
Battery type		Li-Ion
Battery capacity	h	1.5A
Revolutions per minutes	rpm./min	180/600
Max torque	Nm	10
Weight	kg	0.65
Dimensions	mm(inline)/mm(inline)	340x60/ 280x170 mm

Definitions: Safety Guidelines

The definitions below describe the level of severity for each signal word. Please read the manual and pay attention to these symbols.



DANGER: Indicates an imminently hazardous situation which, if not avoided, **will** result in **death or serious injury**.



WARNING: Indicates a potentially hazardous situation which, if not avoided, **could** result in **death or serious injury**.



CAUTION: Indicates a potentially hazardous situation which, if not avoided, **may** result in **minor or moderate injury**.

NOTICE: Indicates a practice **not related to personal injury** which, if not avoided, **may** result in **property damage**.



Denotes risk of electric shock.



Denotes risk of fire.



WARNING: To reduce the risk of injury, read the instruction manual.

GENERAL POWER TOOL SAFETY WARNINGS



WARNING: Read all safety warnings, instructions, illustrations and specifications provided with this power tool. Failure to follow all instructions listed below may result in electric shock, fire and/or serious injury.

SAVE ALL WARNINGS AND INSTRUCTIONS FOR FUTURE REFERENCE.

The term "power tool" in the warnings refers to your mains-operated (corded) power tool or battery-operated (cordless) power tool.

1) Work Area Safety

- Keep work area clean and well lit.** Cluttered or dark areas invite accidents.
- Do not operate power tools in explosive atmospheres, such as in the presence of flammable liquids, gases or dust.** Power tools create sparks which may ignite the dust or fumes.
- Keep children and bystanders away while operating a power tool.** Distractions can cause you to lose control.

2) Electrical Safety

- Power tool plugs must match the outlet. Never modify the plug in any way. Do not use any adapter plugs with earthed (grounded) power tools.** Unmodified plugs and matching outlets will reduce risk of electric shock.
- Avoid body contact with earthed or grounded surfaces such as pipes, radiators, ranges and refrigerators.** There is an increased risk of electric shock if your body is earthed or grounded.
- Do not expose power tools to rain or wet conditions.** Water entering a power tool will increase the risk of electric shock.
- Do not abuse the cord. Never use the cord for carrying, pulling or unplugging the power tool. Keep cord away from heat, oil, sharp edges or moving parts.** Damaged or entangled cords increase the risk of electric shock.
- When operating a power tool outdoors, use an extension cord suitable for outdoor use.** Use of a cord suitable for outdoor use reduces the risk of electric shock.
- If operating a power tool in a damp location is unavoidable, use a residual current device (RCD) protected supply.** Use of an RCD reduces the risk of electric shock.

3) Personal Safety

- Stay alert, watch what you are doing and use common sense when operating a power tool. Do not use a power tool while you are tired or under the influence of drugs, alcohol or medication.** A moment of inattention while operating power tools may result in serious personal injury.
- Use personal protective equipment. Always wear eye protection.** Protective equipment such as a dust mask, non-skid safety shoes, hard hat or hearing protection used for appropriate conditions will reduce personal injuries.
- Prevent unintentional starting. Ensure the switch is in the off-position before connecting to power source and/or battery pack, picking up or carrying the tool.** Carrying power tools with your finger on the switch or energising power tools that have the switch on invites accidents.
- Remove any adjusting key or wrench before turning the power tool on.** A wrench or a key left attached

to a rotating part of the power tool may result in personal injury.

- e) **Do not overreach. Keep proper footing and balance at all times.** This enables better control of the power tool in unexpected situations.
- f) **Dress properly. Do not wear loose clothing or jewellery. Keep your hair and clothing away from moving parts.** Loose clothes, jewellery or long hair can be caught in moving parts.
- g) **If devices are provided for the connection of dust extraction and collection facilities, ensure these are connected and properly used.** Use of dust collection can reduce dust-related hazards.
- h) **Do not let familiarity gained from frequent use of tools allow you to become complacent and ignore tool safety principles.** A careless action can cause severe injury within a fraction of a second.

4) Power Tool Use and Care

- a) **Do not force the power tool. Use the correct power tool for your application.** The correct power tool will do the job better and safer at the rate for which it was designed.
- b) **Do not use the power tool if the switch does not turn it on and off.** Any power tool that cannot be controlled with the switch is dangerous and must be repaired.
- c) **Disconnect the plug from the power source and/or remove the battery pack, if detachable, from the power tool before making any adjustments, changing accessories, or storing power tools.** Such preventive safety measures reduce the risk of starting the power tool accidentally.
- d) **Store idle power tools out of the reach of children and do not allow persons unfamiliar with the power tool or these instructions to operate the power tool.** Power tools are dangerous in the hands of untrained users.
- e) **Maintain power tools and accessories. Check for misalignment or binding of moving parts, breakage of parts and any other condition that may affect the power tool's operation. If damaged, have the power tool repaired before use.** Many accidents are caused by poorly maintained power tools.
- f) **Keep cutting tools sharp and clean.** Properly maintained cutting tools with sharp cutting edges are less likely to bind and are easier to control.
- g) **Use the power tool, accessories and tool bits, etc. in accordance with these instructions, taking into account the working conditions and the work to be performed.** Use of the power tool for operations different from those intended could result in a hazardous situation.
- h) **Keep handles and grasping surfaces dry, clean and free from oil and grease.** Slippery handles and grasping surfaces do not allow for safe handling and control of the tool in unexpected situations.

5) Battery Tool Use and Care

- a) **Recharge only with the charger specified by the manufacturer.** A charger that is suitable for one type

of battery pack may create a risk of fire when used with another battery pack.

- b) **Use power tools only with specifically designated battery packs.** Use of any other battery packs may create a risk of injury and fire.
- c) **When battery pack is not in use, keep it away from other metal objects, like paper clips, coins, keys, nails, screws or other small metal objects, that can make a connection from one terminal to another.** Shorting the battery terminals together may cause burns or a fire.
- d) **Under abusive conditions, liquid may be ejected from the battery; avoid contact. If contact accidentally occurs, flush with water. If liquid contacts eyes, additionally seek medical help.** Liquid ejected from the battery may cause irritation or burns.
- e) **Do not use a battery pack or tool that is damaged or modified.** Damaged or modified batteries may exhibit unpredictable behaviour resulting in fire, explosion or risk of injury.
- f) **Do not expose a battery pack or tool to fire or excessive temperature.** Exposure to fire or temperature above 130 °C may cause explosion.
- g) **Follow all charging instructions and do not charge the battery pack or tool outside the temperature range specified in the instructions.** Charging improperly or at temperatures outside the specified range may damage the battery and increase the risk of fire.

6) Service

- a) **Have your power tool serviced by a qualified repair person using only identical replacement parts.** This will ensure that the safety of the power tool is maintained.
- b) **Never service damaged battery packs.** Service of battery packs should only be performed by the manufacturer or authorized service providers.

Additional Safety Rules for Screwdrivers

- **Hold power tool by insulated gripping surfaces, when performing an operation where the fastener may contact hidden wiring or its own cord.** Fasteners contacting a "live" wire may make exposed metal parts of the power tool "live" and could give the operator an electric shock.
- The device is not intended for use by persons (including children) with reduced physical, sensory or mental capabilities, or lack of experience or knowledge, unless they are supervised or instructed in its use by a person responsible for their safety.
- Children must be monitored to ensure they do not play with the appliance.

Residual Risks

In spite of the application of the relevant safety regulations and the implementation of safety devices, certain residual risks cannot be avoided. These are:

- Impairment of hearing.
- Risk of personal injury due to flying particles.
- Risk of burns due to accessories becoming hot during operation.

- Risk of personal injury due to prolonged use.

SAVE THESE INSTRUCTIONS

Chargers

DEWALT chargers require no adjustment and are designed to be as easy as possible to operate.

Electrical Safety

The electric motor has been designed for one voltage only. Always check that the battery pack voltage corresponds to the voltage on the rating plate. Also make sure that the voltage of your charger corresponds to that of your mains.

If the supply cord is damaged, it must be replaced by a specially prepared cord available through the DEWALT service organisation.

Mains Plug Replacement (Middle East and Africa)

If a new mains plug needs to be fitted:

- Safely dispose of the old plug.
- Connect the brown lead to the live terminal in the plug.
- Connect the blue lead to the neutral terminal.



WARNING: No connection is to be made to the earth terminal.

Follow the fitting instructions supplied with good quality plugs. Recommended fuse: 3 A.

Using an Extension Cable

An extension cord should not be used unless absolutely necessary. Use an approved extension cable suitable for the power input of your charger (see **Technical Data**). The minimum conductor size is 1 mm²; the maximum length is 30 m.

When using a cable reel, always unwind the cable completely.

Important Safety Instructions for All Battery Chargers

- Before using charger, read all instructions and cautionary markings on charger, battery pack, and product using battery pack.



WARNING: Shock hazard. Do not allow any liquid to get inside charger. Electric shock may result.



WARNING: We recommend the use of a residual current device with a residual current rating of 30mA or less.



CAUTION: Burn hazard. To reduce the risk of injury, charge only DEWALT rechargeable batteries. Other types of batteries may burst causing personal injury and damage.



CAUTION: Children should be supervised to ensure that they do not play with the appliance.

NOTICE: Under certain conditions, with the charger plugged into the power supply, the exposed charging contacts inside the charger can be shorted by foreign material. Foreign materials of a conductive nature such as, but not limited to, steel wool, aluminum foil or any buildup of metallic particles should be kept away from charger cavities. Always unplug the charger from the

power supply when there is no battery pack in the cavity. Unplug charger before attempting to clean

- **DO NOT attempt to charge the battery pack with any chargers other than the ones in this manual.** The charger and battery pack are specifically designed to work together.
- **These chargers are not intended for any uses other than charging DEWALT rechargeable batteries.** Any other uses may result in risk of fire, electric shock or electrocution.
- **Do not expose charger to rain or snow.**
- **Pull by plug rather than cord when disconnecting charger.** This will reduce risk of damage to electric plug and cord.
- **Make sure that cord is located so that it will not be stepped on, tripped over, or otherwise subjected to damage or stress.**
- **Do not use an extension cord unless it is absolutely necessary.** Use of improper extension cord could result in risk of fire, electric shock, or electrocution.
- **Do not place any object on top of charger or place the charger on a soft surface that might block the ventilation slots and result in excessive internal heat.** Place the charger in a position away from any heat source. The charger is ventilated through slots in the top and the bottom of the housing.
- **Do not operate charger with damaged cord or plug—** have them replaced immediately.
- **Do not operate charger if it has received a sharp blow, been dropped, or otherwise damaged in any way.** Take it to an authorised service centre.
- **Do not disassemble charger; take it to an authorised service centre when service or repair is required.** Incorrect reassembly may result in a risk of electric shock, electrocution or fire.
- In case of damaged power supply cord the supply cord must be replaced immediately by the manufacturer, its service agent or similar qualified person to prevent any hazard.
- **Disconnect the charger from the outlet before attempting any cleaning. This will reduce the risk of electric shock.** Removing the battery pack will not reduce this risk.
- **NEVER** attempt to connect two chargers together.
- **The charger is designed to operate on standard 230V household electrical power. Do not attempt to use it on any other voltage.** This does not apply to the vehicular charger.

Charging Procedure (Fig. B)




WARNING: The batteries in your tool are not fully charged at the factory. Before attempting to charge them, thoroughly read all of the safety instructions.



WARNING: When disconnecting the tool from the charger, be sure to unplug the charger from the outlet first then disconnect the charger cord from the tool. Do not use the tool while it is connected to the charger.

To charge your screwdriver, follow the steps below.

1. Plug the output cord of the charger into the socket  in the bottom half of the screwdriver handle as shown in Figure B.
2. Plug the charger into an appropriate outlet.
3. Let the tool charge initially for 9 hours. After the initial charge, under normal usage, your tool should be fully charged in 1 hour.

Charger Cleaning Instructions



WARNING: Shock hazard. Disconnect the charger from the AC outlet before cleaning. Dirt and grease may be removed from the exterior of the charger using a cloth or soft non-metallic brush. Do not use water or any cleaning solutions. Never let any liquid get inside the tool; never immerse any part of the tool into a liquid.

Battery Packs

READ ALL INSTRUCTIONS

- **Do not charge or use battery in explosive atmospheres, such as in the presence of flammable liquids, gases or dust.** Inserting or removing the battery from the charger may ignite the dust or fumes.
- **Never force battery pack into charger. Do not modify battery pack in any way to fit into a non-compatible charger as battery pack may rupture causing serious personal injury.**
- Charge the battery packs only in DEWALT chargers.
- **DO NOT** splash or immerse in water or other liquids.
- **Do not store or use the tool and battery pack in locations where the temperature may reach or exceed 40 °C (104 °F) (such as outside sheds or metal buildings in summer).**
- **Do not incinerate the battery pack even if it is severely damaged or is completely worn out.** The battery pack can explode in a fire. Toxic fumes and materials are created when lithium-ion battery packs are burned.
- **If battery contents come into contact with the skin, immediately wash area with mild soap and water.** If battery liquid gets into the eye, rinse water over the open eye for 15 minutes or until irritation ceases. If medical attention is needed, the battery electrolyte is composed of a mixture of liquid organic carbonates and lithium salts.
- **Contents of opened battery cells may cause respiratory irritation.** Provide fresh air. If symptoms persists, seek medical attention.



WARNING: Burn hazard. Battery liquid may be flammable if exposed to spark or flame.



WARNING: Never attempt to open the battery pack for any reason. If battery pack case is cracked or damaged, do not insert into charger. Do not crush, drop or damage battery pack. Do not use a battery pack or charger that has received a sharp blow, been dropped, run over or damaged in any way (i.e., pierced with a nail, hit with a hammer, stepped on). Electric shock or electrocution may result. Damaged battery packs should be returned to service centre for recycling.



WARNING: Fire hazard. Do not store or carry the battery pack so that metal objects can contact exposed battery terminals. For example, do not place the battery pack in aprons, pockets, tool boxes, product kit boxes, drawers, etc., with loose nails, screws, keys, etc.



CAUTION: When not in use, place tool on its side on a stable surface where it will not cause a tripping or falling hazard. Some tools with large battery packs will stand upright on the battery pack but may be easily knocked over.

Transportation



WARNING: Fire hazard. Transporting batteries can possibly cause fire if the battery terminals inadvertently come in contact with conductive materials. When transporting batteries, make sure that the battery terminals are protected and well insulated from materials that could contact them and cause a short circuit.

NOTE: Lithium-ion batteries should not be put in checked baggage.

DEWALT batteries comply with all applicable shipping regulations as prescribed by industry and legal standards which include UN Recommendations on the Transport of Dangerous Goods; International Air Transport Association (IATA) Dangerous Goods Regulations, International Maritime Dangerous Goods (IMDG) Regulations, and the European Agreement Concerning The International Carriage of Dangerous Goods by Road (ADR). Lithium-ion cells and batteries have been tested to section 38.3 of the UN Recommendations on the Transport of Dangerous Goods Manual of Tests and Criteria.

In most instances, shipping a DEWALT battery pack will be excepted from being classified as a fully regulated Class 9 Hazardous Material. In general, only shipments containing a lithium-ion battery with an energy rating greater than 100 Watt Hours (Wh) will require being shipped as fully regulated Class 9. All lithium-ion batteries have the Watt Hour rating marked on the pack. Furthermore, due to regulation complexities, DEWALT does not recommend air shipping lithium-ion battery packs alone regardless of Watt Hour rating. Shipments of tools with batteries (combo kits) can be air shipped as excepted if the Watt Hour rating of the battery pack is no greater than 100 Whr. Regardless of whether a shipment is considered excepted or fully regulated, it is the shipper's responsibility to consult the latest regulations for packaging, labeling/marketing and documentation requirements.

The information provided in this section of the manual is provided in good faith and believed to be accurate at the time the document was created. However, no warranty, expressed or implied, is given. It is the buyer's responsibility to ensure that its activities comply with the applicable regulations.

Storage Recommendations

1. The best storage place is one that is cool and dry away from direct sunlight and excess heat or cold. For optimum battery performance and life, store battery packs at room temperature when not in use.

2. For long storage, it is recommended to store a fully charged battery pack in a cool, dry place out of the charger for optimal results.

NOTE: Battery packs should not be stored completely depleted of charge. The battery pack will need to be recharged before use.

Labels on Charger and Battery Pack

In addition to the pictographs used in this manual, the labels on the charger and the battery pack may show the following pictographs:



Read instruction manual before use.



See **Technical Data** for charging time.



Do not probe with conductive objects.



Do not charge damaged battery packs.



Do not expose to water.



Have defective cords replaced immediately.



Charge only between 4 °C and 40 °C.



Only for indoor use.



Discard the battery pack with due care for the environment.

LI-ION



Charge DEWALT battery packs only with designated DEWALT chargers. Charging battery packs other than the designated DEWALT batteries with a DEWALT charger may make them burst or lead to other dangerous situations.



Do not incinerate the battery pack.

Battery Type

The DCF008 operates on a 8 volt onboard battery pack.

Package Contents

The package contains:

- 1 Cordless screwdriver
- 1 Charger
- 1 Instruction manual

- Check for damage to the tool, parts or accessories which may have occurred during transport.

- Take the time to thoroughly read and understand this manual prior to operation.

Markings on Tool

The following pictographs are shown on the tool:



Read instruction manual before use.



Wear ear protection.



Wear eye protection.



Visible radiation. Do not stare into light.

Date Code Position (Fig. A)

The date code **8**, which also includes the year of manufacture, is printed into the housing.

Example:

2019 XX XX
Year of Manufacture

Description (Fig. A)



WARNING: Never modify the power tool or any part of it. Damage or personal injury could result.

- 1 Quick release collar
- 2 Torque control collar
- 3 LED light
- 4 Two speed switch
- 5 Forward/reverse switch
- 6 Release button

Intended Use

The screwdriver is designed for fastening applications.

DO NOT use under wet conditions or in the presence of flammable liquids or gases.

This screwdriver is a professional power tool.

DO NOT let children come into contact with the tool.

Supervision is required when inexperienced operators use this tool.

- This product is not intended for use by persons (including children) suffering from diminished physical, sensory or mental abilities; lack of experience, knowledge or skills unless they are supervised by a person responsible for their safety. Children should never be left alone with this product.

ASSEMBLY AND ADJUSTMENTS



WARNING: To reduce the risk of serious personal injury, turn tool off before making any adjustments or removing/installing attachments or accessories. An accidental start-up can cause injury.



WARNING: Use only DEWALT battery packs and chargers.

Inserting an Accessory (Fig. C)

1. Hold the screwdriver upright as shown in Figure C and pull down on the quick release collar 4.
2. Insert a hex shank accessory into the holder.
3. Release the quick release collar.

NOTE: If bit does not fit into spindle, rotate the bit and reinsert it.

Removing an Accessory (Fig. C)

1. Hold the screwdriver upright as shown in Figure C and pull down on the quick release collar 4.
2. Pull accessory straight out.

OPERATION

Instructions for Use



WARNING: Always observe the safety instructions and applicable regulations.



WARNING: To reduce the risk of serious personal injury, turn tool off before making any adjustments or removing/installing attachments or accessories. An accidental start-up can cause injury.

Proper Hand Position (Fig. A, D, E)



WARNING: To reduce the risk of serious personal injury, ALWAYS use proper hand position as shown.



WARNING: To reduce the risk of serious personal injury, ALWAYS hold securely in anticipation of a sudden reaction.

Proper hand position requires one hand on the main handle 9. Hold tool firmly to control its twisting action.

Angling the Screwdriver (Fig. A, E)



WARNING: To avoid being pinched, hold the screwdriver as shown in Figure E when changing positions.

To convert the tool to an angled screwdriver, push in on the release button 6 and rotate the top portion of the tool until it locks into one of the remaining two positions.

Torque Control (Fig. F)

The torque adjustment collar 2 is marked with numbers and a drill bit icon. There are 22 clutch settings in all. Each click in a clockwise direction means an increase in the torque produced. To set the torque align the desired setting with the arrow on the tool housing. The higher the number on the collar, the higher the torque.

If you do not know the appropriate setting to use when tightening a screw, begin at the lowest torque setting. If the clutch ratchets before the desired result is achieved, increase the collar setting and continue tightening the screw. Repeat until you reach the correct setting.

Two Speed Operation (Fig. A)

The dual range feature of your screwdriver allows you to shift gears for greater versatility.

To select low speed, (high torque setting), turn tool off and permit to stop. Push the slide switch 4 located on the top of the tool to the left. Use low speed for screwdriving operations. To select the high speed, (low torque setting), turn tool off and permit to stop. Slide gear shifter fully to the right.

LED Light (Fig. A)

To turn the light 3 on, push the slide switch located on the underside of the screwdriver toward the front of the tool.

MAINTENANCE

Your DEWALT power tool has been designed to operate over a long period of time with a minimum of maintenance. Continuous satisfactory operation depends upon proper tool care and regular cleaning.



WARNING: To reduce the risk of serious personal injury, turn tool off before making any adjustments or removing/installing attachments or accessories. An accidental start-up can cause injury.

The charger and battery pack are not serviceable.



Lubrication

Your power tool requires no additional lubrication.



Cleaning



WARNING: Blow dirt and dust out of the main housing with dry air as often as dirt is seen collecting in and around the air vents. Wear approved eye protection and approved dust mask when performing this procedure.



WARNING: Never use solvents or other harsh chemicals for cleaning the non-metallic parts of the tool. These chemicals may weaken the materials used in these parts. Use a cloth dampened only with water and mild soap. Never let any liquid get inside the tool; never immerse any part of the tool into a liquid.

Optional Accessories



WARNING: Since accessories, other than those offered by DEWALT, have not been tested with this product, use of such accessories with this tool could be hazardous. To reduce the risk of injury, only DEWALT recommended accessories should be used with this product.

Consult your dealer for further information on the appropriate accessories.

Protecting the Environment



Separate collection. Products and batteries marked with this symbol must not be disposed of with normal household waste.

Products and batteries contain materials that can be recovered or recycled reducing the demand for raw materials. Please recycle electrical products and batteries

according to local provisions. Further information is available at www.2helpU.com.

Rechargeable Battery Pack

This long life battery pack must be recharged when it fails to produce sufficient power on jobs which were easily done before. At the end of its technical life, discard it with due care for our environment:

- Run the battery pack down completely, then remove it from the tool.
- Li-Ion cells are recyclable. Take them to your dealer or a local recycling station. The collected battery packs will be recycled or disposed of properly.

TOURNEVIS 8V

DCF008

Félicitations !

Vous avez choisi un outil DeWALT. Des années d'expertise dans le développement et l'innovation de ses produits ont fait de DeWALT, le partenaire privilégié des utilisateurs professionnels d'outils électriques.

Fiche technique

		DCF008
Tension	V _{dc}	8
Type de batterie		Li-Ion
Capacité de la batterie	h	1,5A
Tours par minute	Tr/min	180 / 600
Couple maxi	Nm	10
Poids	kg	0.65
Dimensions	mm (en ligne) / mm (en ligne)	340 x 60 / 280 x 170 mm

Définitions : consignes de sécurité

Les définitions ci-dessous décrivent le niveau de gravité de chaque mot signalétique. Lisez le manuel de l'utilisateur et soyez attentif à ces symboles.



DANGER : indique une situation dangereuse imminente qui, si elle n'est pas évitée, **entraînera des blessures graves ou mortelles**.



AVERTISSEMENT : indique une situation dangereuse potentielle qui, **si elle n'est pas évitée, pourrait entraîner des blessures graves ou mortelles**.



ATTENTION : indique une situation dangereuse potentielle qui, **si elle n'est pas évitée, pourrait entraîner des blessures minimales** ou modérées.

AVIS : indique une pratique **ne posant aucun risque de dommages corporels**, mais qui par contre, si rien n'est fait pour l'éviter, **pourrait poser des risques de dommages matériels**.



Indique un risque d'électrocution.



Indique un risque d'incendie.



AVERTISSEMENT : afin de réduire le risque de blessure, lisez le manuel d'instruction.

Consignes de sécurité générales propres aux outils électriques



AVERTISSEMENT : veuillez lire tous les avertissements de sécurité, toutes les instructions, illustrations et spécifications fournies avec cet outil électrique. Le non respect des instructions listées ci-dessous peut conduire à des chocs électriques, des incendies et/ou de graves blessures.

CONSERVER TOUTES CES DIRECTIVES ET CONSIGNES À TITRE DE RÉFÉRENCE

Le terme « outil électrique » mentionné dans les avertissements ci-après se rapporte aux outils alimentés sur secteur (avec fil) ou par piles (sans fil).

1) Sécurité – Aire de Travail

- Maintenir l'aire de travail propre et bien éclairée.** Les lieux sombres ou encombrés sont propices aux accidents.
- Ne pas utiliser un outil électrique dans un milieu déflagrant, comme en présence de liquides, gaz ou poussières inflammables.** Les outils électriques peuvent produire des étincelles qui pourraient enflammer toute émanation ou poussière ambiante.
- Maintenir à l'écart les enfants, ou toute autre personne, lors de l'utilisation d'un outil électrique.** Toute distraction pourrait faire perdre la maîtrise de l'appareil.

2) Sécurité – Électricité

- La fiche électrique de l'outil doit correspondre à la prise murale. Ne modifier la fiche en aucune façon. Ne pas utiliser de fiche d'adaptation avec un outil électrique mis à la terre (masse).** L'utilisation de fiches d'origine et de prises appropriées réduira tout risque de décharges électriques.
- Éviter tout contact corporel avec des éléments mis à la terre comme : tuyaux, radiateurs, cuisinières ou réfrigérateurs.** Les risques de décharges électriques augmentent lorsque le corps est mis à la terre.
- Ne pas exposer les outils électriques à la pluie ou à l'humidité.** Tout contact d'un outil électrique avec un liquide augmente les risques de décharges électriques.
- Ne pas utiliser le cordon de façon abusive. Ne jamais utiliser le cordon pour transporter, tirer ou débrancher un outil électrique. Protéger le cordon de toute source de chaleur, de l'huile, et de tout bord tranchant ou pièce mobile.** Les cordons endommagés ou emmêlés augmentent les risques de décharges électriques.
- En cas d'utilisation d'un outil électrique à l'extérieur, utiliser systématiquement une rallonge conçue à cet effet.** Cela diminuera tout risque de décharges électriques.
- Si on ne peut éviter d'utiliser un outil électrique en milieu humide, utiliser un circuit protégé par un dispositif de courant résiduel (RCD).** Cela réduira tout risque de décharges électriques.

3) Sécurité Individuelle

- Rester systématiquement vigilant et faire preuve de jugement lorsqu'on utilise un outil électrique. Ne pas utiliser d'outil électrique en cas de fatigue ou sous l'influence de drogues, d'alcool ou de médicaments.**

Tout moment d'inattention pendant l'utilisation d'un outil électrique comporte des risques de dommages corporels graves.

- b) **Porter un équipement de protection individuel. Porter systématiquement un dispositif de protection oculaire.** Le fait de porter un masque anti-poussières, des chaussures antidérapantes, un casque de sécurité ou un dispositif de protection auditive, lorsque la situation le requiert, réduira les risques de dommages corporels.
- c) **Prévenir tout démarrage accidentel. S'assurer que l'interrupteur est en position d'arrêt avant de brancher l'outil sur le secteur et/ou la batterie, ou de le ramasser ou le transporter.** Transporter un outil le doigt sur l'interrupteur ou brancher un outil électrique alors que l'interrupteur est en position de marche invite les accidents.
- d) **Retirer toute clé de réglage avant de démarrer l'outil.** Une clé laissée sur une pièce rotative d'un outil électrique comporte des risques de dommages corporels.
- e) **Adopter une position stable. Maintenir les pieds bien ancrés au sol et conserver son équilibre en permanence.** Cela permettra de mieux maîtriser l'outil électrique en cas de situations imprévues.
- f) **Porter des vêtements appropriés. Ne porter aucun vêtement ample ou bijou. Gardez vos cheveux et vos vêtements éloignés des pièces en mouvement,** car ils pourraient s'y faire prendre.
- g) **Lorsqu'un dispositif de connexion à un système de dépoussiérage ou d'élimination est fourni, s'assurer qu'il est branché et utilisé correctement.** L'utilisation de ces dispositifs peut réduire les risques engendrés par les poussières.
- h) **Ne pensez pas être à ce point familiarisé avec l'outil après l'avoir utilisé à de nombreuses reprises, au point de ne plus rester vigilant et d'en oublier les consignes de sécurité.** Toute action imprudente peut engendrer de graves blessures en une fraction de seconde.

4) Utilisation et Entretien des Outils Électriques

- a) **Ne pas forcer un outil électrique. Utiliser l'outil approprié au travail en cours.** L'outil approprié effectuera un meilleur travail, de façon plus sûre et à la vitesse pour laquelle il a été conçu.
- b) **Ne pas utiliser un outil électrique dont l'interrupteur est défectueux.** Tout appareil dont l'interrupteur est défectueux est dangereux et doit être réparé.
- c) **Débranchez la prise du secteur et/ou retirez le bloc-batterie, s'il est amovible, de l'outil électrique avant d'effectuer tout réglage, de changer un accessoire ou de ranger l'outil électrique.** Ces mesures de sécurité préventives réduisent le risque de démarrage accidentel de l'outil électrique.
- d) **Après utilisation, ranger les outils électriques hors de portée des enfants et ne permettre à aucune personne non familière avec son fonctionnement (ou**

sa notice d'instructions) de l'utiliser. Les outils peuvent être dangereux entre des mains inexpérimentées.

- e) **Entretenez les outils électriques et leurs accessoires. Vérifier les pièces mobiles pour s'assurer qu'elles sont bien alignées et tournent librement, qu'elles sont en bon état et ne sont affectées d'aucune condition susceptible de nuire au bon fonctionnement de l'outil. En cas de dommage, faire réparer l'outil électrique avant toute nouvelle utilisation.** De nombreux accidents sont causés par des outils mal entretenus.
- f) **Maintenir tout organe de coupe propre et bien affûté.** Les outils de coupe bien entretenus et affûtés sont moins susceptibles de se coincer et sont plus faciles à contrôler.
- g) **Utiliser un outil électrique, ses accessoires, mèches, etc., conformément aux présentes directives et suivant la manière prévue pour ce type particulier d'outil électrique, en tenant compte des conditions de travail et de la tâche à effectuer.** L'utilisation d'un outil électrique à des fins autres que celles prévues est potentiellement dangereuse.
- h) **Maintenez toutes les poignées et surfaces de préhension sèches, propres et exemptes d'huile et de graisse.** Des poignées et des surfaces de préhension glissantes ne permettent pas de manipuler et de contrôler l'outil correctement en cas de situations inattendues.

5) Utilisation et entretien de la batterie

- a) **Recharger la batterie uniquement avec le chargeur spécifié par le fabricant.** Un chargeur propre à un certain type de batterie peut créer des risques d'incendie lorsqu'utilisé avec d'autres batteries.
- b) **Utiliser les outils électriques uniquement avec leur batterie spécifique.** L'utilisation d'autres batteries comporte des risques de dommages corporels ou d'incendie.
- c) **Après utilisation, ranger la batterie à l'écart d'objets métalliques, tels que trombones, pièces de monnaie, clés, clous, vis ou autres petits objets métalliques susceptibles de conduire l'électricité entre les bornes, car cela pose des risques de brûlures ou d'incendie.**
- d) **Si utilisée de façon abusive, la batterie pourra perdre du liquide. Éviter alors tout contact. En cas de contact accidentel, rincer abondamment à l'eau claire. En cas de contact oculaire, rincer puis consulter immédiatement un médecin.** Le liquide de la batterie peut engendrer irritation ou brûlures.
- e) **N'utilisez jamais un bloc-batterie ou un outil qui est endommagé ou qui a été modifié.** Une batterie endommagée ou altérée peut avoir un comportement imprévisible qui peut conduire à un incendie, une explosion ou un risque de blessure.
- f) **N'exposez pas le bloc-batterie ou l'outil au feu ou à des températures excessives.** L'exposition au feu ou à des températures dépassant 130°C peut provoquer une explosion.

- g) **Respectez toutes les consignes de mise en charge et ne rechargez pas le bloc-batterie ou l'outil en dehors de la plage de températures spécifiée dans les instructions.** Une mise en charge inappropriée ou à des températures hors de la plage spécifiée peut endommager la batterie et augmenter le risque d'incendie.

6) Réparation

- a) **Faire entretenir les outils électriques par un réparateur qualifié en n'utilisant que des pièces de rechange identiques.** Cela permettra de préserver l'intégrité de l'outil électrique et la sécurité de l'utilisateur.
- b) **Ne réparez jamais un bloc-batterie endommagé.** Les réparations sur les blocs-batteries ne doivent être effectuées que le fabricant ou l'un de ses prestataires de services agréés.

Règles de sécurité supplémentaires pour les tournevis

- **Tenez l'outil par ses surfaces de préhension isolées lorsque vous effectuez des opérations au cours desquelles la fixation pourrait entrer en contact avec un fil caché ou son propre cordon.** Tout contact d'une fixation avec un fil sous tension peut mettre les parties métalliques exposées de l'outil sous tension et provoquer un choc électrique à l'utilisateur.
- L'appareil n'est pas prévu pour être utilisé par des personnes (y compris des enfants) ayant des capacités physiques, sensorielles ou mentales réduites ou qui manquent d'expérience ou de connaissances, à moins qu'elles ne soient supervisées ou formées à l'utilisation de l'appareil par une personne responsable de leur sécurité.
- Les enfants doivent être surveillés pour garantir qu'ils ne jouent pas avec l'appareil.

Risques résiduels

Malgré l'application de la réglementation de sécurité applicable et la mise en œuvre des dispositifs de sécurité, certains risques résiduels ne peuvent pas être évités. À savoir :

- Diminution de l'acuité auditive.
- Risques de dommages corporels dus à la projection de particules.
- Risques de brûlures provoquées par des accessoires chauffant pendant leur utilisation.
- Risques de dommages corporels dus à un usage prolongé.

CONSERVEZ CES INSTRUCTIONS

Chargeurs

Les chargeurs DEWALT ne nécessitent aucun réglage et sont conçus pour une utilisation la plus simple possible.

Sécurité électrique

Le moteur électrique a été conçu pour fonctionner sur une tension unique. Vérifier systématiquement que la tension de la batterie correspond bien à la tension indiquée sur la plaque signalétique. Vérifier également que la tension du chargeur correspond bien à la tension du secteur.

Si le cordon fourni est endommagé, le remplacer par un cordon spécialement conçu à cet effet, et disponible auprès du service après-vente DEWALT.

Remplacement de la fiche d'alimentation (Moyen-Orient et Afrique)

Si une nouvelle fiche d'alimentation doit être montée :

- Mettre soigneusement au rebut l'ancienne fiche.
- Raccorder le fil marron à la borne de phase dans la fiche.
- Raccorder le fil bleu à la borne de neutre.



AVERTISSEMENT : aucun branchement ne doit être fait à la borne de terre.

Suivez les instructions de montage fournies avec des fiches de bonne qualité. Fusible recommandé : 3 A.

Utilisation d'une rallonge

N'utiliser une rallonge qu'en cas de nécessité absolue. Utiliser une rallonge homologuée compatible avec la tension nominale du chargeur (consulter la **Caractéristiques techniques**).

La section minimale du conducteur est de 1 mm² pour une longueur maximale de 30 m.

En cas d'utilisation d'un dévidoir, dérouler systématiquement le câble sur toute sa longueur.

Consignes de sécurité importantes propres à tous les chargeurs de batteries

- Avant d'utiliser le chargeur, lire toutes les instructions et les marquages d'avertissement sur le chargeur, le bloc batterie et le produit utilisant le bloc batterie.



AVERTISSEMENT : risque de choc. Ne pas laisser les liquides pénétrer dans le chargeur. Risque de choc électrique.



AVERTISSEMENT : nous recommandons l'utilisation d'un disjoncteur différentiel avec un seuil de déclenchement de 30mA ou moins.



ATTENTION : risque de brûlure. Pour réduire le risque de blessures, ne charger que des batteries rechargeables DEWALT. Les autres types de batteries peuvent exploser et causer des blessures et des dégâts.



ATTENTION : les enfants doivent être surveillés pour s'assurer qu'ils ne jouent pas avec l'appareil.


AVIS : sous certaines conditions, lorsque le chargeur est branché à l'alimentation électrique, les contacts de charge exposés à l'intérieur du chargeur peuvent être mis en court-circuit par un corps étranger. Les corps étrangers de nature conductrice tels que, mais ne se limitant pas à, la laine d'acier, le papier aluminium ou toute accumulation de particules métalliques doivent être tenus éloignés des cavités du chargeur. Débranchez toujours le chargeur de la prise lorsqu'il n'y a pas de pack batterie dans la cavité. Débranchez le chargeur avant de le nettoyer.


- **NE PAS tenter de charger le bloc batterie avec un chargeur différent de ceux indiqués dans ce manuel.** Le chargeur et le bloc batterie sont spécifiquement conçus pour fonctionner ensemble.
- **Ces chargeurs ne sont pas prévus pour d'autres utilisations que la charge des batteries rechargeables**

DEWALT. Toute autre utilisation peut causer un risque d'incendie, de choc électrique ou d'électrocution.


- **Ne pas exposer le chargeur à la pluie ou à la neige.**
- **Pour débrancher le chargeur, tirer sur la fiche et non sur le cordon.** Cela réduira le risque de dégât à la fiche et au cordon.
- **S'assurer que le cordon est placé de sorte qu'on ne puisse pas marcher dessus, trébucher ou l'endommager d'une autre manière.**
- **Ne pas utiliser de rallonge sauf si cela est absolument nécessaire.** Toute utilisation impropre d'une rallonge peut causer un risque d'incendie, de choc électrique ou d'électrocution.
- **Ne placez aucun objet sur le chargeur et ne le placez pas sur une surface molle qui pourrait obstruer les fentes d'aération et entraîner une chaleur interne excessive.** Éloignez le chargeur de toute source de chaleur. Le chargeur est aéré par des fentes au-dessus et au-dessous du boîtier.
- **Ne pas utiliser un chargeur ayant un cordon ou une fiche endommagés**—les faire remplacer immédiatement.
- **Ne pas utiliser le chargeur s'il a reçu un choc violent, s'il est tombé, ou s'il a été autrement endommagé de quelque manière que ce soit.** Apporter le chargeur à un centre de réparation agréé.
- **Ne pas démonter le chargeur ; l'apporter à un centre de réparation agréé lorsqu'un entretien ou une réparation est nécessaire** Un chargeur mal réassemblé peut entraîner un risque de choc électrique, d'électrocution ou d'incendie.
- **Si le cordon d'alimentation est endommagé, il doit être remplacé immédiatement par le fabricant, un agent de réparation ou une personne qualifiée similaire pour éviter tout risque.**
- **Débrancher le chargeur de la prise secteur avant de procéder à son nettoyage.** Cette précaution réduira le risque de choc électrique. Le retrait du bloc batterie ne réduira pas les risques.
- **NE JAMAIS** tenter de relier 2 chargeurs ensemble.
- **Le chargeur est conçu pour être alimenté en courant électrique domestique standard 230 V. Ne pas essayer de l'utiliser avec n'importe quelle autre tension** Cette directive ne concerne pas le chargeur pour véhicule.

Procédure de charge (Fig. B)

 **AVERTISSEMENT :** les batteries de votre outil ne sont pas complètement chargées en sortie d'usine. Avant de les recharger, veuillez à lire complètement toutes les consignes de sécurité.


 **AVERTISSEMENT :** en débranchant l'outil du chargeur, assurez-vous de d'abord débrancher le chargeur de la prise murale avant de retirer le cordon du chargeur de l'outil. N'utilisez pas l'outil quand il est branché au chargeur.

Pour recharger votre tournevis, respectez les étapes ci-dessous.

1. Branchez le cordon du chargeur dans la prise  au bas du manche du tournevis, comme illustré par la Figure B.
2. Branchez le chargeur dans une prise appropriée.

Laissez l'outil se recharger 9 heures la première fois. Après la première charge et dans des conditions normales d'utilisation, votre outil sera complètement rechargé en 1 heure.

Consignes de nettoyage du chargeur


 **AVERTISSEMENT : risque de choc. Débranchez le chargeur de la prise de courant avant le nettoyage.** La saleté et la graisse peuvent être éliminées de l'extérieur du chargeur avec un chiffon ou une brosse souple non métallique. N'utilisez ni eau, ni autre solution de nettoyage. Ne laissez jamais aucun liquide pénétrer à l'intérieur de l'appareil et n'immergez jamais aucune pièce de l'appareil dans aucun liquide.

Batteries

LIRE TOUTES CES CONSIGNES

- **Ne pas charger ou utiliser une batterie dans un milieu déflamant, comme en présence de liquides, gaz ou poussières inflammables.** Insérer ou retirer le bloc-pile du chargeur peut enflammer la poussière ou des émanations.
- **Ne jamais forcer le bloc batterie dans le chargeur. Ne modifier le bloc batterie d'aucune manière que ce soit pour le faire entrer sur un chargeur incompatible, car le bloc batterie peut se casser et causer de graves blessures.**
- Charger le bloc batterie uniquement dans les chargeurs DEWALT.
- **NE PAS** l'éclabousser ou l'immerger dans l'eau ou d'autres liquides.
- **Ne pas ranger ou utiliser l'outil et le bloc-piles dans des endroits où la température peut atteindre ou excéder 40 °C (104 °F) (comme dans les remises extérieures ou les bâtiments métalliques l'été).**
- **Ne pas incinérer la batterie même si elle est sévèrement endommagée ou complètement usagée, car elle pourrait exploser au contact des flammes.** Au cours de l'incinération des batteries au lithium-ion, des vapeurs et matières toxiques sont dégagées.
- **En cas de contact du liquide de la batterie avec la peau, la rincer immédiatement au savon doux et à l'eau claire.** En cas de contact oculaire, rincer l'œil ouvert à l'eau claire une quinzaine de minutes, ou jusqu'à ce que l'irritation cesse. Si des soins médicaux sont nécessaires, noter que l'électrolyte de la batterie est composé d'un mélange de carbonates organiques liquides et de sels de lithium.
- **Le contenu des cellules d'une batterie ouverte pourrait causer une irritation des voies respiratoires.** Dans cette éventualité, exposer l'individu à l'air libre. Si les symptômes persistent, consulter un médecin.

 **AVERTISSEMENT : risques de brûlures.** Le liquide de la batterie pourrait s'enflammer s'il est exposé à des étincelles ou à une flamme.

 **AVERTISSEMENT :** ne jamais tenter d'ouvrir le bloc batterie pour quelque raison que ce soit. Si le boîtier du bloc batterie est fissuré ou endommagé, ne pas l'insérer dans un chargeur Ne pas écraser, laisser tomber, ou

endommager le bloc batterie. Ne pas utiliser un bloc batterie ou un chargeur ayant reçu un choc violent, étant tombé, ayant été écrasé ou endommagé de quelque façon que ce soit (par ex. percé par un clou, frappé d'un coup de marteau, piétiné). Risque de choc électrique ou d'électrocution. Les blocs batterie endommagés doivent être renvoyés à un centre de réparation pour y être recyclés.



AVERTISSEMENT : risque d'incendie. Ne rangez et ne transportez pas le bloc-batterie s'il est possible que des objets métalliques entrent en contact avec les bornes de la batterie. Ne placez par exemple pas le bloc-batterie dans des tabliers, poches, boîtes à outils, boîtes de kits d'accessoires, tiroirs, etc. en présence de clous, vis, clés, etc.



ATTENTION : après utilisation, ranger l'outil, à plat, sur une surface stable là où il ne pourra ni faire tomber ni faire trébucher personne. Certains outils équipés d'un gros bloc batterie peuvent tenir à la verticale sur celui-ci, mais manquent alors de stabilité.

Transport



AVERTISSEMENT : risque d'incendie. Le transport des batteries peut causer un incendie si les bornes de la batterie entrent accidentellement en contact avec des matériaux conducteurs. Lors du transport des batteries, assurez-vous que les bornes de la batterie sont protégées et bien isolées des matériaux avec lesquels elles pourraient entrer en contact et qui pourraient provoquer un court-circuit.

REMARQUE : les batteries Lithium-ion ne doivent pas être transportées dans des bagages enregistrés.

Les batteries DEWALT sont conformes à toutes les réglementations d'expédition applicables comme prescrit par les normes industrielles et juridiques qui incluent les recommandations de l'ONU pour le transport des marchandises dangereuses, les réglementations relatives aux marchandises dangereuses de l'International Air Transport Association (IATA), les réglementations de l'International Maritime Dangerous Goods (IMDG) et l'accord européen concernant le transport international de marchandises dangereuses sur route (ADR). Les cellules et les batteries ion lithium ont été testées conformément à la section 38,3 des recommandations de l'ONU pour les tests et critères relatifs au transport des marchandises dangereuses.

Dans la plupart des cas, l'envoi d'un bloc-batterie DEWALT ne sera pas soumis à la classification réglementée de classe 9 pour les matières dangereuses. En règle générale, seuls les envois contenant une batterie Lithium-Ion d'une énergie nominale supérieure à 100 Watts/heure (Wh) nécessitent une expédition réglementée de classe 9. L'énergie nominale en Watts/heure de toutes les batteries Lithium-Ion est indiquée sur l'emballage. De plus, en raison de la complexité de la réglementation, DEWALT ne recommande pas l'expédition aérienne de blocs-batteries seuls, peu importe le wattage/heure nominal. Les envois d'outil avec batterie (kit combiné) peuvent être faits par avion si le wattage/heure nominal du bloc-batterie n'excède pas 100 Wh.

Que l'expédition soit exemptée ou réglementée, l'expéditeur a la responsabilité intégrale de consulter les dernières réglementations relatives à l'emballage, à l'étiquetage/au marquage et aux exigences de documentation.

Les informations fournies dans cette section du manuel sont fournies en bonne foi et sont considérées précises au moment de la rédaction de ce document. Toutefois, aucune garantie explicite ou implicite ne peut être fournie. L'acheteur a la responsabilité de s'assurer que ses activités sont conformes aux réglementations applicables.

Recommandations de stockage

1. Le lieu idéal de rangement est un lieu frais et sec, à l'abri de toute lumière solaire directe et de tout excès de température. Pour des performances et une durée de vie optimales, entreposer les batteries à température ambiante après utilisation.
2. Pour un stockage prolongé, il est recommandé de conserver la batterie complètement chargée dans un lieu frais et sec, hors du chargeur pour de meilleurs résultats.

REMARQUE : les blocs batterie ne doivent pas être stockés complètement déchargés. Le bloc batterie devra être rechargé avant l'utilisation.

Étiquettes sur le chargeur et la batterie

En plus des pictogrammes utilisés dans ce manuel, les étiquettes sur le chargeur et le bloc batterie peuvent montrer les pictogrammes suivants :



Lire la notice d'instructions avant toute utilisation.



Consulter la **Fiche technique** pour les temps de charge.



Ne pas mettre en contact avec des objets conducteurs.



Ne pas recharger une batterie endommagée.



Ne pas exposer à l'eau.



Remplacer systématiquement tout cordon endommagé.



Recharger seulement entre 4 °C et 40 °C.



Utiliser uniquement à l'intérieur.



Mettre la batterie au rebut conformément à la réglementation en matière d'environnement.



Recharger les blocs batterie DEWALT uniquement avec les chargeurs DEWALT appropriés. La recharge des blocs batterie différents des batteries DEWALT appropriées avec un chargeur DEWALT peut entraîner leur explosion ou d'autres situations dangereuses.



Ne jetez pas le bloc batterie au feu.

Type de Batterie

Le DCF008 fonctionne avec un bloc batterie de 8 volts.

Contenu de l'emballage

Ce carton comprend :

- 1 Tournevis sans fil
- 1 Chargeur
- 1 Notice d'instructions
- Vérifier que l'appareil et ses pièces ou accessoires n'ont pas été endommagés lors du transport.
- Prendre le temps de lire attentivement et comprendre cette notice d'instructions avant toute utilisation de l'appareil.

Étiquettes sur l'appareil

On trouve les diagrammes suivants sur l'outil :



Lire la notice d'instructions avant toute utilisation.



Porter un dispositif de protection auditive.



Porter un dispositif de protection oculaire.



Rayonnement visible. Ne pas exposer à la lumière.

Emplacement de la Date Codée de Fabrication (Fig. A)

La date codée de fabrication **8**, qui comprend aussi l'année de fabrication, est imprimée sur le boîtier.

Exemple :

2019 XX XX

Année de fabrication

Description (Fig. A)



AVERTISSEMENT : ne jamais modifier l'outil électrique ni aucun de ses composants. Il y a risques de dommages corporels ou matériels.

- 1 Bague de libération rapide
- 2 Bague de contrôle du couple de serrage
- 3 Éclairage à LED
- 4 Interrupteur à deux vitesses
- 5 Bouton de commande du sens de rotation avant/arrière
- 6 Bouton de libération

Utilisation Prévue

Le tournevis a été conçu pour le vissage.

NE PAS les utiliser en milieu humide ou en présence de gaz ou de liquides inflammables.

Ce tournevis est un outil électrique professionnel.

NE PAS les laisser à la portée des enfants. Une supervision est nécessaire auprès de tout utilisateur non expérimenté.

- Ce produit n'est pas prévu pour être utilisé par des personnes (y compris les enfants) dont les capacités physiques, sensorielles ou mentales sont réduites ou qui manquent d'expérience ou d'aptitudes, sauf si ces personnes sont surveillées par une autre personne responsable de leur sécurité. Ne jamais laisser les enfants seuls avec ce produit.

MONTAGE ET RÉGLAGES



AVERTISSEMENT : pour réduire tout risque de dommages corporels graves, arrêter avant tout réglage ou avant de retirer ou installer toute pièce ou tout accessoire. Tout démarrage accidentel pourrait causer des dommages corporels.



AVERTISSEMENT : utiliser exclusivement des batteries et chargeurs DEWALT.

Insérer un accessoire (Fig. C)

1. Tenez le tournevis à la verticale comme illustré par la Figure C et tirez la bague de libération rapide vers le bas **4**.
2. Insérez un accessoire à tige hexagonale dans le support.
3. Relâchez la bague de libération rapide.

REMARQUE : Si l'embout n'est pas correctement installé dans l'axe, pivotez l'embout et réinsérez-le.

Retirer un accessoire (Fig. C)

1. Tenez le tournevis à la verticale comme illustré par la Figure C et tirez la bague de libération rapide vers le bas **4**.
2. Tirez l'accessoire tout droit pour le sortir.

FONCTIONNEMENT

Consignes d'utilisation



AVERTISSEMENT : respecter systématiquement les consignes de sécurité et les normes en vigueur.



AVERTISSEMENT : pour réduire tout risque de dommages corporels graves, arrêter avant tout réglage ou avant de retirer ou installer toute pièce ou tout accessoire. Tout démarrage accidentel pourrait causer des dommages corporels.

Position correcte des mains (Fig. A, D, E)



AVERTISSEMENT : pour réduire tout risque de dommages corporels graves, adopter **SYSTÉMATIQUEMENT** la position des mains illustrée.



AVERTISSEMENT : pour réduire tout risque de dommages corporels graves, maintenir fermement et **SYSTÉMATIQUEMENT** l'outil pour anticiper toute réaction soudaine de sa part.

La position correcte des mains nécessite d'avoir une main sur le manche 9. Tenez fermement l'outil pour contrôler sa rotation.



Couder le tournevis (Fig. A, E)

AVERTISSEMENT : pour ne pas vous pincer, tenez le tournevis comme illustré par la figure E pour changer son orientation.

Pour convertir l'outil en un tournevis coudé, enfoncez le bouton de libération 6 et pivotez la partie supérieure de l'outil jusqu'à ce qu'elle s'enclenche dans l'une des deux positions restantes.

Contrôle du couple de serrage (Fig. F)

La bague de réglage du couple de serrage 2 est graduée de chiffres et d'une icône représentant un foret. 22 réglages sont possibles. Chaque cran dans le sens des aiguilles d'une montre augmente le couple. Pour régler le couple, alignez le réglage désiré avec la flèche sur le boîtier de l'outil. Plus le numéro sur la bague est élevé, plus le couple est élevé.

Si vous ne savez pas quel réglage doit être utilisé pour le serrage d'une vis, commencez avec le réglage de couple le plus bas. Si l'embrayage cliquette avant d'obtenir le résultat désiré, augmentez le réglage de la bague et continuez le serrage de la vis. Recommencez jusqu'à obtenir le bon réglage.

Fonctionnement à deux vitesses (Fig. A)

La plage de vitesse double de votre tournevis vous permet de changer la vitesse et de gagner ainsi en polyvalence.

Pour sélectionner la vitesse lente, (couple élevé), éteignez l'outil et laissez-le s'arrêter. Poussez l'interrupteur coulissant 4 qui se trouve en haut de l'outil vers la gauche. Utilisez la vitesse lente pour les opérations de vissage.

Pour sélectionner la vitesse rapide (faible couple), éteignez l'outil et laissez-le s'arrêter. Glissez le sélecteur de vitesse complètement vers la droite.

Éclairage à LED (Fig. A)

Pour allumer l'éclairage 3, enfoncez l'interrupteur coulissant qui se trouve sous le tournevis vers l'avant de l'outil.

MAINTENANCE

Votre outil électrique DEWALT a été conçu pour fonctionner longtemps avec un minimum de maintenance. Le fonctionnement continu et satisfaisant de l'outil dépendra d'une maintenance adéquate et d'un nettoyage régulier.

AVERTISSEMENT : pour réduire tout risque de dommages corporels graves, arrêter avant tout réglage ou avant de retirer ou installer toute pièce ou tout accessoire. Tout démarrage accidentel pourrait causer des dommages corporels.

Le chargeur et le bloc batterie ne peuvent pas être réparés.



Lubrification

Votre outil électrique ne requiert aucune lubrification additionnelle.

Entretien

AVERTISSEMENT : éliminer poussière et saleté du boîtier principal à l'aide d'air comprimé chaque fois que les orifices d'aération semblent s'encrasser. Porter systématiquement des lunettes de protection et un masque anti-poussières homologués au cours de cette procédure.

AVERTISSEMENT : ne jamais utiliser de solvants ou tout autre produit chimique décupant pour nettoyer les parties non métalliques de l'outil. Ces produits chimiques pourraient en attaquer les matériaux utilisés. Utiliser un chiffon humidifié avec de l'eau et un savon doux. Protéger l'outil de tout liquide et n'immerger aucune de ses pièces dans aucun liquide.

Accessoires en option

AVERTISSEMENT : comme les accessoires autres que ceux offerts par DEWALT n'ont pas été testés avec ce produit, leur utilisation avec cet appareil pourrait être dangereuse. Pour réduire tout risque de dommages corporels, seuls des accessoires DEWALT recommandés doivent être utilisés avec cet appareil.

Veillez consulter votre revendeur pour plus d'informations sur les accessoires appropriés.

Protection de l'environnement



Tri sélectif. Les produits et batteries marqués de ce symbole ne doivent pas être jetés avec les déchets ménagers.

Les produits et batteries contiennent des matières qui peuvent être récupérées et recyclées afin de réduire la demande en matières premières. Veuillez recycler les produits électriques et les batteries conformément aux dispositions locales en vigueur. Pour plus d'informations, consultez le site www.2helpU.com.

Batterie rechargeable

Recharger cette batterie longue durée lorsqu'elle ne produira plus assez de puissance pour effectuer un travail qu'elle faisait facilement auparavant. En fin de vie utile, mettre la batterie au rebut conformément à la réglementation en matière d'environnement :

- Décharger complètement la batterie, puis la retirer de l'outil.
- Les cellules ion lithium sont recyclables. Les apporter au revendeur ou dans un centre de recyclage local. Les blocs batterie collectés seront recyclés ou mis au rebut correctement.

مفك البراغي جهد 8 فولت DCF008

تهانينا!

لقد اخترت أداة DeWALT. سنوات الخبرة التي تمتد خلالها عمليات تطوير المنتجات (ب) وابتكارها تجعل DeWALT من أكثر الشركاء الذين يمكن الاعتماد عليهم بالنسبة لمستخدمي الأدوات الآلية المحترفين.

البيانات الفنية

DCF008	فولتية	فولتية ثابت	8
	نوع البطارية	Li-Ion	
	سعة البطارية	ساعة	1,5 أمبير
	عدد اللفات في الدقائق	لفة / دقيقة	180 / 600
	الحد الأقصى للتعزم	نانومتر	10
	الوزن	كجم	0,65
	الأبعاد	ملم (داخلي) / ملم (داخلي)	60 × 340 × 280 / 170 ملم

التعريفات: تعليمات الأمان

تصف التعريفات التالية مستوى أهمية كل كلمة تحذيرية. يرجى قراءة الدليل والانتباه لتلك الرموز.

⚠️ خطر: تشير هذه الكلمة إلى وجود حالة خطر وشيكة، وإذا لم يتم تفاديها، فقد تؤدي إلى الوفاة أو الإصابة الجسيمة.

⚠️ تحذير: تشير هذه الكلمة إلى وجود حالة خطر محتملة، وإذا لم يتم تفاديها، فقد تؤدي إلى الوفاة أو الإصابة الجسيمة.

⚠️ تنبيه: تشير هذه الكلمة إلى وجود حالة خطر محتملة، وإذا لم يتم تفاديها، فقد تؤدي إلى حدوث إصابة بسيطة أو متوسطة.

⚠️ ملاحظة: تشير إلى ممارسة غير متعلقة بإصابة شخصية، إذا لم يتم تفاديها، فقد تؤدي إلى ضرر الممتلكات.

⚡ تشير إلى خطر حدوث صدمة كهربائية.

🔥 تشير إلى خطر نشوب حريق.

📖 تحذير: لتقليل خطر حدوث الإصابات، يرجى قراءة دليل التعليمات.

تحذيرات الأمان العامة للأدوات الكهربائية

⚠️ تحذير: اقرأ جميع تحذيرات الأمان والتعليمات والإيضاحات والمواصفات الواردة مع هذه الأداة الكهربائية. إذ قد يؤدي عدم اتباع جميع الإرشادات إلى حدوث صدمة كهربائية وأو نشوب حريق وأو وقوع إصابة جسيمة.

⚠️ احتفظ بجميع التحذيرات والتعليمات من أجل الرجوع إليها في المستقبل يشير المصطلح «أداة كهربائية» في التحذيرات إلى الأداة الكهربائية التي تعمل بالبطاقة الكهربائية (مزودة بسلك كهربائي) أو الأداة الكهربائية التي تعمل بالبطارية (غير مزودة بسلك كهربائي).

1) أمان منطقة العمل

أ) احتفظ بمنطقة العمل نظيفة ومضاءة بطريقة جيدة. حيث أن المناطق المتكدسة بغير نظام أو المظلمة تؤدي إلى وقوع الحوادث.

لا تقم بتشغيل الأدوات الكهربائية في الأجواء المتفجرة، كأن يوجد بالمكان سوائل أو غازات أو غبار قابل للاشتعال. قد تؤدي الأدوات الكهربائية التي تحدث شرارات في اشتعال الأتربة أو الأذخنة.

أبق على الأطفال والأشخاص المشاهدين بعيداً أثناء تشغيل الأداة الكهربائية. فقد يؤدي تشتت الانتباه إلى فقدان سيطرتك.

2) السلامة الكهربائية

أ) يجب أن يتوافق قابس الأداة الكهربائية مع مصدر التيار الكهربائي. لا تقم مطلقاً بإجراء تعديل على القابس بأي طريقة. لا تستخدم قابس المحول مع الأدوات الكهربائية المؤرضة لتمر تيارها. حيث ستقلل المقابس غير المعدلة ومصادر التيار الكهربائي المتطابقة من خطر حدوث صدمة كهربائية.

ب) تجنب ملامسة الجسم مع الأسطح الأرضية أو المؤرضة كالأثاث والمشعاع والموقد والتلجعات. حيث يوجد خطر متزايد من حدوث صدمة كهربائية إذا كان جسدك مؤرضاً أو ثابتاً على الأرض.

ج) لا تتعرض الأدوات الكهربائية للمطر أو البلل. إذ سيؤدي الماء الذي يدخل الأداة الكهربائية إلى زيادة خطر حدوث صدمة كهربائية.

د) لا تستخدم الكابل بطريقة خاطئة. لا تستخدم مطلقاً السلك من أجل حمل الأشياء أو سحبها أو لنزع قابس الأداة الكهربائية. أبعد السلك عن الحرارة أو الزيت أو الحواف الحادة أو الأجزاء المتحركة. إذ تزيد الأسلاك التالفة أو المتشابكة من خطر حدوث صدمة كهربائية.

هـ) عند تشغيل الأداة الكهربائية خارج المنزل، استخدم سلك استئالة ملانمر للاستخدام في الأماكن الخارجية. حيث إن استخدام السلك الملانمر للاستخدام الخارجي يقلل من خطر حدوث الصدمة الكهربائية. إذا لم يكن هناك مفر من تشغيل الأداة الكهربائية في أحد الأماكن الرطبة، فاستخدم مصدر إمداد محمي بجهاز قاطع الدورة (RCD). استخدام جهاز التيار المتبقي يقلل من حدوث الصدمة الكهربائية.

3) السلامة الشخصية

أ) ابق حذراً وراقب ما تقوم بفعله واستعن بالحواس العامة عند تشغيل الأداة الكهربائية. لا تستخدم الأداة الكهربائية عندما تكون متعباً أو تحت تأثير المخدرات أو الكحول أو الأدوية. قد تؤدي أي لحظة من السهو أثناء تشغيل الأدوات الكهربائية إلى حدوث إصابة جسيمة.

ب) استخدم معدات الوقاية الشخصية. قم دوماً بارتداء واقي العينين. إذ أن استخدام معدات الوقاية مثل كمامات الأتربة، وأحذية الأمان المانعة للانزلاق، والخوذة الصلبة، أو واقي الأذن للحالات ذات الصلة سيقلل من الإصابات الشخصية.

ج) تجنب التشغيل العرضي. تأكد من أن المفتاح في وضع إيقاف التشغيل قبل التوصيل بمصدر الطاقة، و/أو مجموعة البطارية، أو التقاط أو حمل الأداة. حيث قد يؤدي حمل الأدوات الكهربائية أثناء وجود إصبعك على المفتاح أو إمداد الأدوات الكهربائية التي يكون مفتاحها بوضع التشغيل بالكهرباء إلى وقوع الحوادث.

د) قم بإخراج أي مفتاح ضبط أو مفتاح ربط قبل تشغيل الأداة الكهربائية. فقد يؤدي ترك مفتاح الربط أو المفتاح البازء الدوار بالأداة الكهربائية إلى حدوث إصابة شخصية.

هـ) تجنب مد يدك بعيداً بالجهاز. حافظ على ثبات موضع قدمك والتوازن طيلة الوقت. إذ يساعد ذلك على التحكم بشكل أفضل في الأداة الكهربائية في المواقف الفجائية.

و) ارتد الملابس المناسبة. تجنب ارتداء ملابس أو مجوهرات فضفاضة. أبعد الشعر والملابس والقفازات عن الأجزاء المتحركة. فقد تحشر الملابس أو المجوهرات الفضفاضة أو الشعر الطويل في الأجزاء المتحركة.

- ٥) لا تستخدم البطارية أو أداة تالفة أو وضعت للتعديل، فالبطاريات التالفة أو التي وضعت للتعديل يمكن أن تحدث أي شيء لا يمكن توقعه، بما قد يؤدي إلى نشوب النيران أو حدوث الانفجارات أو التعرض لخطر الإصابة.
- ٦) لا تفرم بتعريض البطاريات أو الأدوات للنيران أو درجات الحرارة المفرطة. يمكن أن يؤدي تعريضها لدرجات الحرارة التي تتجاوز 130 درجة مئوية إلى حدوث انفجار.

٧) اتبع كل تعليمات الشحن، ولا تقوم بشحن البطارية أو الأداة خارج نطاق درجات الحرارة المحدد في التعليمات. يمكن أن يؤدي الشحن بشكل غير صحيح أو في درجات حرارة خارج النطاق المحدد إلى إتلاف البطارية وزيادة مخاطر نشوب الحريق.

6) الخدمة

- أ) قم بصيانة الأداة الكهربائية الخاصة بك على يد فني إصلاح مؤهل وذلك من خلال استخدام أجزاء بديلة متطابقة فقط. حيث سيضمن ذلك الحفاظ على أمان الأداة الكهربائية.
- ب) لا تقم على الإطلاق بصيانة البطاريات التالفة. يجب ألا يقوم بصيانة البطاريات إلا الشركة المصنعة لها أو موفر الخدمة المعتمدون.

قواعد الأمان الإضافية الخاصة بالمفكات

- قم بإسك أداة الطاقة بواسطة أسطح الإمساك المعزولة عند تنفيذ العملية حيث قد تلامس المشبكات مع الأسلاك الخفية، المشبكات المتلامسة مع السلك «النشطاء» قد تؤدي إلى «توصيل التيار» للأجزاء المعدنية المكشوفة من الآلة وتعرض المشغل للصعقة الكهربائية.
- هذا الجهاز غير مخصص للاستخدام من قبل الأفراد (بما في ذلك الأطفال) الذين يعانون من قصور في القدرات الحسية أو الحسية أو العقلية، أو قلة الخبرة أو المعرفة، ما لم يكونوا تحت إشراف أو توجيه من يتحمل مسؤولية سلامتهم أثناء استخدام هذا الجهاز.
- يجب مراقبة الأطفال للتأكد من أنهم لا يعثرون بالجهاز.

المخاطر المتبقية

- على الرغم من تطبيق تعليمات السلامة ذات الصلة والتزود بأجهزة الأمان، إلا أنه لا يمكن تفادي بعض المخاطر المتبقية المحددة، وتشمل هذه المخاطر ما يلي:
- ضعف السمع.
 - خطر التعرض للإصابة الشخصية بسبب الجسيمات المتطايرة.
 - خطر التعرض للحروق بسبب سخونة الملحقات أثناء التشغيل.
 - خطر التعرض لإصابة شخصية بسبب الاستخدام المطول.

احتفظ بهذه التعليمات

الشواحن

تحتاج شواحن DEWALT إلى تعديلات وهي مصممة لتكون سهلة الاستخدام قدر الإمكان.

السلامة الكهربائية

- تم تصميم المحرك الكهربائي لتحمل جهد كهربائي واحد فقط. تأكد دومًا من أن مصدر إمداد الطاقة مطابق للجهود الكهربائي المبين على لوحة التصنيف.
- في حالة استبدال السلك أو القابس في الأداة، يجب أن تتم عملية الإصلاح من قبل مركز خدمة معتمد أو فني مؤهل.

استبدال قابس التيار الرئيسي

(الشرق الأوسط وإفريقيا)

إذا استدعت الضرورة تركيب قابس تيار رئيسي، فقم بالتالي:

- تخلص بأمان من القابس القديم.
- قم بتوصيل السلك البني بطرف التوصيل النشط في القابس.
- قم بتوصيل السلك الأزرق بطرف التوصيل المحايد.

تحذير: لا يتم إجراء أي توصيل بطرف التوصيل الأرضي.



- ٥) في حال توفير الأجهزة للتوصيل بوسائل استخلاص وتجميع الأتربة، فتأكد من توصيلها واستخدامها بطريقة صحيحة. حيث أن تجميع الأتربة قد يؤدي إلى تقليل المخاطر المتعلقة بالأتربة.
- ٦) لا تدع الخبرة المكتسبة من الاستخدام المتكرر للأدوات تدفعك إلى اللامبالاة وتجاهل مبادئ سلامة الأداة. فقد يتسبب أي إجراء غير حذر إلى وقوع إصابات خطيرة في جزء من الثانية.

4) استخدام الأداة الكهربائية والعناية بها

- أ) لا تعامل بالقوة مع الأداة الكهربائية. استخدم الأداة الكهربائية الملائمة لغرض الاستخدام الخاص بك، حيث ستجوز الأداة الكهربائية الملائمة المهمة بشكل أفضل وأكثر أمانًا عند المعدل الذي صممت من أجله.
- ب) لا تستخدم الأداة الكهربائية إذا كان المفتاح لا يقوم بالتشغيل وإيقاف التشغيل. حيث تشكل أي أداة كهربائية لا يمكن التحكم فيها بواسطة المفتاح خطورة ويجب إصلاحها.

ج) قم بفصل القابس من مصدر الطاقة و/أو مجموعة البطارية، إذا كانت قابلة للفصل، من الأداة الكهربائية قبل إجراء أي عمليات ضبط أو تغيير ملحقات أو تخزين الأدوات الكهربائية. نقل إجراءات السلامة الوقائية هذه من خطر تشغيل الأداة الكهربائية بشكل فجائي.

د) قم بتخزين الأدوات الكهربائية المتوقفة عن العمل بعيدًا عن متناول الأطفال ولا تدع الأشخاص غير الملمين بالأداة الكهربائية أو بهذه التعليمات يقومون بتشغيل الأداة الكهربائية. إذ تعد الأدوات الكهربائية مصدر خطورة في أيدي المستخدمين غير المدربين على استخدامها.

هـ) حافظ على الأدوات الكهربائية والملحقات. افحص للتجريح عن أي محاذة غير صحيحة أو تقييد للأجزاء المتحركة، أو كسر للأجزاء وأي حالات أخرى قد تؤثر على تشغيل الأداة الكهربائية. وفي حال وجود تلف، فقم بإصلاح الأداة الكهربائية قبل الاستخدام. حيث يرجع سبب وقوع العديد من الحوادث إلى الصيانة السيئة للأدوات الكهربائية.

و) حافظ على أدوات القطع في حالة حادة ونظيفة. حيث أن أدوات القطع التي ترم صيانتها بطريقة صحيحة ومزودة بحواف قطع حادة تتعرض بشكل أقل للاتصاق ويسهل التحكم بها على نحو أكبر.

ز) استخدم الأداة الكهربائية والملحقات ولقمر الأداة وما شابه ذلك وفقًا لهذه التعليمات مع الأخذ في الاعتبار ظروف التشغيل والعمل المراد تنفيذها. إذ أن استخدام الأداة الكهربائية لعمليات مختلفة عن تلك العمليات المخصصة لها قد يؤدي إلى حالة خطرة.

ح) حافظ على جفاف المقابض والمفاتيح ونظافتها وخلوها من الزيت والشحوم. فالمقابض الزلقة والأسطح الملتصقة لا تتيح الحصول على تعامل آمن وتحكم كامل في الأداة في المواقف الفجائية.

5) استخدام أداة البطارية والعناية بها

أ) لا تستخدم أي شاحن آخر بخلاف المحدد من قبل جهة التصنيع. إن الشاحن الذي يناسب أحد أنواع مجموعة بطارية قد يتسبب في خطر نشوب حريق عند استخدامه مع مجموعة بطارية أخرى.

ب) لا تستخدم الأدوات الكهربائية إلا مع مجموعات البطاريات المصممة خصيصًا لها. قد يتسبب استخدام أي من مجموعات البطاريات الأخرى في خطر التعرض للإصابة ونشوب حريق.

ج) عندما لا تكون مجموعة البطارية قيد الاستخدام، احتفظ بها بعيدًا عن الأشياء المعدنية الأخرى مثل الدبابيس أو العملات المعدنية أو المفاتيح أو المسامير أو البراغي أو غيرها من الأشياء المعدنية التي من شأنها توصيل طرف بأخر. قد يتسبب تقصير أطراف توصيل البطارية معاً في حدوث حروق أو نشوب حريق.

د) في حالات الاستخدام السيئ، قد يخرج السائل من البطارية، يرجى تجنب ملامسته. إذا حدث تلامس مفاجئ، اسكب الماء على مكان التلامس. في حالة ملامسة السائل للعينين، اطلب المساعدة الطبية للاطمئنان. قد يتسبب السائل المتسرب من البطارية في حدوث التهابات أو حروق.

قمر بتابع التعليمات الواردة مع القوايس ذات الجودة العالية
المصنهر الموصى باستخدامه: 3 أمبير.

استخدام كابل الاستطالة

إذا استدعت الضرورة استخدام كابل استطالة، فاستخدم كابل استطالة معتمد ملائم
لدخل طاقة هذه الأداة، (انظر البيانات الفنية). الحد الأدنى لحجم الموصل هو 1
ممر الطول الأقصى هو 30 م.

عند استخدام بكرة الكابل، قمر دوماً بفك الكابل تماماً.

تعليمات السلامة الهامة بشأن جميع شواحن البطاريات.

قبل استخدام الشاحن، اقرأ جميع التعليمات وعلامات التحذير الموجودة على الشاحن
ومجموعة البطارية والمنتج باستخدام مجموعة البطارية.

تحذير: مخاطر الصدمة لا تسمح بدخول أي سائل داخل الشاحن. حيث قد
تحدث صدمة كهربائية.

تحذير: نوصي باستخدام جهاز قاطع الدورة مع ضبط قطع الدورة على 30 ملي
أمبير أو أقل.

تنبيه: خطر الحرق. للحد من مخاطر الإصابة، قم فقط بشحن بطاريات DEWALT
القابلة لإعادة الشحن. قد تتفجر البطاريات الأخرى متسببة في الإصابة الشخصية
أو الضرر.

تنبيه: يجب مراقبة الأطفال للتأكد من أنهم لا يلعبون بالهजार.

ملاحظة: في حالات محددة، عندما يكون الشاحن موصلاً بمصدر الإمداد بالطاقة،
من الممكن تقصير دائرة أطراف توصيل الشحن المكشوفة داخل الشاحن بفعل
مواد خارجية. يجب الاحتفاظ بالمواد الخارجية ذات الطبيعة الموصلة، التي
تشمل على سبيل المثال لالحص، الصوف الفولاذي أو أوراق الألومنيوم أو أي
مادة مصنعة من جزيات معدنية بعيداً عن جفوات الشاحن. انزع الشاحن دائماً
من مصدر الإمداد بالطاقة عندما لا تكون هناك مجموعة بطارية في التجويف.
انزع الشاحن قبل محاولة التنظيف

لا تحاول شحن مجموعة البطارية باستخدام أية شواحن بخلاف تلك الواردة في
دليل التعليمات هذا. الشاحن ومجموعة البطارية مصممتان خصيصاً لتعمل سوياً.

هذه الشواحن غير مخصصة لأي استخدام آخر بخلاف شحن بطاريات DEWALT
القابلة لإعادة الشحن. قد يتسبب أي استخدام آخر في التعرض لمخاطر نشوب
حريق أو التعرض لصدمة كهربائية أو الوفاة نتيجة لها.

لا تعرض الشاحن للمطر أو الثلج.

اسحب القابس بدلاً من سحب السلك عند فصل الشاحن. حيث إن هذا سوف
يحد من مخاطر إنلاف القوايس والسلك الكهربيين.

تأكد من أن وضع السلك في مكان مناسب بحيث لا يتم المرور فوقه أو التعثر
به أو تعرضه للتلف أو الإجهاد.

لا تستخدم سلك تمديد ما لم يكن الأمر ضرورياً للغاية. قد يتسبب استخدام
سلك تمديد غير مناسب في التعرض لمخاطر نشوب حريق أو التعرض لصدمة
كهربائية أو الوفاة نتيجة لها.

لا تضع أي شيء فوق الشاحن أو وضع الشاحن على سطح ناعم قد يسد

فتحات التهوية ويتسبب في فرط الحرارة الداخلية. ضع الشاحن في مكان بعيد
عن أي مصدر حراري. ترم تهوية الشاحن من خلال فتحات أعلى وأسفل
مكان التثبيت.

لا تقم بتشغيل الشاحن إذا كان السلك أو المقبس تالفاً - واستبدلها
على الفور.

لا تقم بتشغيل الشاحن إذا تعرض لضربة قوية أو تم سقوطه أو تعرض للضرر
بأية طريقة خلافاً لذلك. خذ الشاحن إلى مركز خدمة معتمد.

لا تقم بتفكيك الشاحن وخذه إلى مركز خدمة معتمد عندما تكون الخدمة أو
الإصلاح مطلوبين. قد تتسبب إعادة التركيب غير الصحيح إلى خطر التعرض

لصدمة كهربائية أو الوفاة نتيجة لها أو نشوب حريق.
في حال تلف سلك مصدر الطاقة، يجب استبداله على الفور من قبل الشركة
المصنعة أو وكيل خدمتها أو شخص مؤهل مماثل لمنع أية مخاطر.

أفضل الشاحن من مقيس التيار قبل محاولة تنظيفه. حيث أن هذا سوف يحد
من خطر التعرض لصدمة كهربائية. ولن تخفض إزالة مجموعة البطارية من
هذا الخطر.

لا تحاول مطلقاً توصيل شاحنين معاً.

الشاحن مصمم للعمل على طاقة كهربائية منزلية بجهد 230 فولت. لا تحاول
استخدامه على أي جهد كهربائي آخر. هذا لا ينطبق على شاحن المركبة.

إجراء الشحن (الشكل B)

تحذير: لا يتم شحن البطاريات الخاصة بالأداة في المصنع بشكل كامل. قبل
محاولة شحنها، قمر بفقارة كل تعليمات السلامة بشكل شامل.

تحذير: عند فصل الأداة عن الشاحن، تحقق من فصل الشاحن من منفذ
الكهربية أولاً ثم أفضل سلك الشاحن من الأداة. لا تستخدم الأداة أثناء
توصيلها بالشاحن.

لشحن مفك البراغي الخاص بك، اتبع الخطوات الواردة أدناه.

1. قمر بتوصيل سلك المخرجات الخاص بالشاحن في الفتحة 7 في النصف السفلي
من مقبض مفك البراغي كما هو موضح في الشكل ب.
2. قمر بتوصيل الشاحن في أحد منافذ الطاقة المناسبة.
3. في المرة الأولى، اترك الأداة تشحن لمدة 9 ساعات. بعد عملية الشحن الأولى، وفي
إطار الاستخدام العادي، يجب أن يتم شحن الأداة بشكل كامل خلال ساعة.

تعليمات تنظيف الشاحن

تحذير: مخاطر الصدمة أفضل الشاحن من منفذ التيار المتردد قبل محاولة تنظيفه.
يمكن إزالة الأتربة والشحم من الجزء الخارجي للشاحن باستخدام قطعة قماش
أو فرشاة ناعمة غير معدنية. لا تستخدم الماء أو محاليل التنظيف. لا تسمح قط
بدخول أي سائل إلى الأداة، ولا تقم مطلقاً بغمر أي جزء من الأداة في السائل.

مجموعة البطارية

اقرأ جميع التعليمات

لا تقم باستخدام أو تشغيل البطارية في الأجواء المتفجرة، كأن يوجد بالمكان
سوائل أو غازات أو غبار قابل للاشتعال. حيث قد يعمل إدخال أو إزالة البطارية
من الشاحن على إشعال الغبار أو الأذخنة.

لا تدخل مطلقاً مجموعة البطارية بالقوة في الشاحن. لا تقم بتعديل مجموعة
البطارية بأي شكل من الأشكال حتى تتلاهم مع شاحن غير متوافق حيث قد
تتفوق مجموعة البطارية مسببة إصابة شخصية بالغة.

لا تشحن مجموعات البطاريات لا باستخدام شواحن DEWALT فقط.

لا تقم برشه بالماء أو السوائل الأخرى أو غمره بها.

لا تخزن أو تستخدم الأداة أو مجموعة البطارية في أماكن حيث قد تصل درجة
الحرارة إلى 40 درجة مئوية (104 درجة فهرنهايت) /مثل الحظائر الخارجية أو
المباني المعدنية في الصيف).

اتقم بقرم مجموعة البطارية حتى وإن تعرضت للتلف الشديد أو تضررت بالكامل.
حيث يمكن لمجموعة البطارية الانفجار في الحريق. تبعث البخرة والمواد السامة
عندما يتم حرق مجموعات بطاريات ليثيوم أيون.

إذا لامست محتويات البطارية الجلد، فاغسل المنطقة فوراً بالماء والصابون
المعتدل. إذا دخل سائل البطارية في العين، فقم بشطف العين بالماء وهي مفتوحة
لمدة 15 دقيقة أو حتى يتوقف التهيج. إذا كانت هناك حاجة إلى عناية طبية، فإن
كهرك البطارية يتكون من خليط من الكربونات العضوية السائلة وأملاح الليثيوم.

قد تتسبب محتويات خلايا البطارية المفتوحة تهيج الجهاز التنفسي. قم بتوفير الهواء
النقي. إذا استمرت الأعراض، فاطلب العناية الطبية.

تحذير: خطر الحرق. قد يكون سائل البطارية قابلاً للاشتعال إذا تعرض

تحذير: لا تحاول مطلقاً فتح مجموعة البطارية لأي سبب. إذا تعرضت حقيبة
المجموعة للكسر أو التلف، لا تقم بإدخالها في الشاحن. لا تقم بسحق مجموعة
البطارية أو إسقاطها أو إتلافها. لا تستخدم مجموعة أو بطارية تكون قد تعرضت
لضربة حادة أو تم إسقاطها أو المرور فوقها أو تعرضت للتلف بأية طريقة (كأن
تتقب بمسمار أو تضرب بمطرقة أو يتم المرور فوقها). حيث قد تحدث صدمة



الإشعاع المرئي: لا تحمق في الضوء.

وضع كود التاريخ (الشكل A)

كود التاريخ 8 الذي يتضمن كذلك عام التصنيع، مطبوع في الغلاف.
مثال:

2019 XX XX

سنة التصنيع

الوصف (الشكل A)

تحذير: لا تقم مطلقاً بتعديل الأداة الكهربائية أو أي جزء منها. فقد ينجم عن ذلك التلف أو الإصابة الشخصية.

- 1 طوق التحرير السريع
- 2 طوق التحكم في العزم
- 3 مصباح LED
- 4 مفتاح السرعتين
- 5 مفتاح الحركة للأمام / للخلف
- 6 زر التحرير

الاستخدام المقصود

- إن مفك البراغي مصمم لتطبيقات التثبيت والربط.
- لا تستخدمها** في ظروف البلل أو في وجود سوائل أو غازات قابلة للاشتعال.
- يعد مفك البراغي هذا من أدوات الطاقة الاحترافية.
- لا تاتدع** الأطفال يلعبون بالأداة. يكون الإشراف أمراً ضرورياً عند استخدام مشغل قليل الخبرة لهذه الأداة.
- هذا المنتج غير مخصص للاستخدام من قبل الأفراد (بما في ذلك الأطفال) الذين يعانون من قصور في القدرات الجسدية أو الحسية أو العقلية، وقلة الخبرة أو المعرفة أو المهارات ما لم يكونوا تحت إشراف من يتحمل مسؤولية سلامتهم. لا ينبغي أن يُترك الأطفال وحدهم مع هذا المنتج.

عمليات التجميع والضبط

تحذير: لتقليل خطر التعرض للإصابة الشخصية الجسيمة، **قم بإيقاف تشغيل الأداة وفصل مجموعة البطارية قبل إجراء أي عمليات ضبط، أو إزالة/تركيب الملحقات أو الإكسسوارات.** قد يؤدي بدء التشغيل غير المقصود إلى حدوث إصابة.

تحذير: لا تستخدم سوى مجموعات بطاريات وشواحن DEWALT.

تركيب الملحقات (الشكل C)

1. امسك مفك البراغي بحيث يكون منتصباً كما هو موضح في الشكل C، واسحب طوق التحرير السريع 4 لأسفل.
2. قم بتركيب ملحق ساق سداسي في الحامل.
3. حرر طوق التحرير السريع.
- ملاحظة:** إذا لم تتلامس اللقمة مع عمود الدوران، فأدر اللقمة وأعد تركيبها.

إزالة الملحقات (الشكل C)

1. امسك مفك البراغي بحيث يكون منتصباً كما هو موضح في الشكل C، واسحب طوق التحرير السريع 4 لأسفل.
2. اسحب الملحقات للخارج مباشرةً.

تعليمات الاستخدام

تحذير: التزم دوماً بتعليمات الأمان واللوائح المعمول بها.

تحذير: لتقليل خطر التعرض للإصابة الشخصية الجسيمة، **قم بإيقاف تشغيل الأداة وفصل مجموعة البطارية قبل إجراء أي عمليات ضبط، أو**

إزالة/تركيب الملحقات أو الإكسسوارات. قد يؤدي بدء التشغيل غير المقصود إلى حدوث إصابة.

الوضع اليدوي الصحيح (الشكلان A, D)

تحذير: لتقليل خطر حدوث الإصابة الشخصية الجسيمة، استخدم دوماً الوضع اليدوي الملائم كما هو موضح.

تحذير: لخفض خطر التعرض للإصابة الجسدية الجسيمة،

يستلزم وضع اليد بشكل صحيح، بحيث يتم وضع يد واحدة على المقبض الرئيسي 9. امسك الأداة بإحكام للتحكم في حركة الانثناء الناجمة عنها.

إمالة مفك البراغي (الشكلان A, E)

تحذير: لتجنب التعرض للاحتشار والقرص، امسك مفك البراغي كما هو موضح في الشكل هـ عند تغيير المواضع.

لتحويل الأداة إلى مفك براغي يعمل بالميل، اضغط على زر التحرير 6 وأدر الجزء العلوي من الأداة إلى أن يتم تثبيتها في أحد الموضعين المتبقين.

التحكم في العزم (الشكل F)

طوق ضبط العزم 2 مرسوم عليه أرقام وأيقونة لقمة ثقب. وهو يوفر 22 إعداداً للقباض بصفة إجمالية، ويشير كل صوت طقطقة في اتجاه حركة عقارب الساعة زيادة العزم الناتج.

لضبط العزم، قم بمحاذاة الإعداد المرغوب فيه مع السهم الموجود على مبيت الأداة. كلما زاد الرقم المحدد على الطوق، زاد مقدار العزم الناجم.

إذا لم تكن تعرف الإعداد المناسب الذي يلزم استخدامه عند ربط أحد البراغي، فابدأ بأقل إعداد للعزم. إذا انخفض القباض قبل الوصول إلى النتيجة المرغوب فيها، فقم بزيادة إعداد الطوق واستمر في ربط البرغي. كرر هذا الأمر إلى أن تصل إلى الإعداد المناسب.

التشغيل ثنائي السرعات (الشكل A)

تتيح لك ميزة المجال المزدوج الخاصة بمفك البراغي تبديل التروس للحصول على قدر أكبر من التنوع.

لتحديد السرعة المنخفضة، (إعداد عزم الدوران العالي)، قم بإيقاف تشغيل الأداة وانتظر إلى أن تتوقف. اضغط على المفتاح المنزلق 4 الموجود في أعلى الأداة لتحريك نحو اليسار. استخدم السرعة المنخفضة لعمليات ربط البراغي.

لتحديد السرعة العالية، (إعداد عزم الدوران المنخفض)، قم بإيقاف تشغيل الأداة وانتظر إلى أن تتوقف. حرّك مغير التروس نحو اليمين بالكامل.

مصباح LED (الشكل A)

لتشغيل المصباح 3، ادفع المفتاح المنزلق الموجود في الجانب السفلي من مفك البراغي نحو مقدمة الأداة.

الصيانة

تم تصميم الأداة الكهربائية DEWALT الخاصة بك للعمل خلال فترة زمنية طويلة مع أدنى حد من الصيانة. يعتمد التشغيل المرضي المتواصل على العناية الملائمة بالأداة وتنظيفها بشكل منتظم.

تحذير: لتقليل خطر التعرض للإصابة الشخصية الجسيمة، **قم بإيقاف تشغيل الأداة وفصل مجموعة البطارية قبل إجراء أي عمليات ضبط، أو إزالة/تركيب الملحقات أو الإكسسوارات.** قد يؤدي بدء التشغيل غير المقصود إلى حدوث إصابة.

لا تتم صيانة الشاحن ومجموعة البطارية.



التشحيم

لا تحتاج الأداة الكهربائية الخاصة بك إلى أي تشحيم إضافي.



التنظيف

تحذير: قم بنفخ الأتربة والغبار خارج التجويف الرئيسي بواسطة الهواء الجاف عدد أكبر من المرات في حال مشاهدة تجمع الأتربة بداخل المنافذ الهوائية وحولها. قم بارتداء واقي العين المعتمد وكمامة الأتربة المعتمدة عند تنفيذ هذا الإجراء.



تحذير: لا تقم مطلقاً باستخدام مذيبات أو أي مواد كيميائية قاسية أخرى لتنظيف الأجزاء غير المعدنية بالأداة. إذ قد تضعف هذه المواد الكيميائية من المواد المستخدمة في هذه الأجزاء. استخدم قطعة قماش مبللة بالماء والصابون الخفيف فقط. لا تسمح قط بدخول أي سائل إلى الأداة، ولا تقم مطلقاً بغمر أي جزء من الأداة في السائل.



الملحقات الاختيارية

تحذير: نظراً لأن الملحقات، بخلاف تلك التي اعتمدها DEWALT، لم تخضع للاختبار مع هذا المنتج، فإن استخدام مثل هذه الملحقات مع الأداة قد يشكل خطورة. لتقليل خطر وقوع إصابة، يجب استخدام ملحقات DEWALT الموصى بها فقط مع هذا المنتج.



استشر وكيلك لمعرفة المزيد من المعلومات حول الملحقات الملائمة.

حماية البيئة

التجميع المنفصل. يجب عدم التخلص من المنتجات والبطاريات المحددة بهذا الرمز من خلال القمامة المنزلية العادية. فهذه المنتجات والبطاريات تحتوي على مواد يمكن استعادتها أو إعادة تدويرها لخفض الطلب على المواد الخام الرجاء التخلص من المنتجات الكهربائية والبطاريات وفقاً للقوانين المحلية. توجد معلومات إضافية متوفرة على الموقع www.2helpu.com



مجموعة البطارية القابلة لإعادة الشحن

- يجب إعادة هذه البطارية طويلة العمر عندما تعجز عن توفير طاقة كافية لأداء المهام التي كان يسهل القيام بها من قبل. في نهاية العمر الفني للبطارية، تخلص منها مع مراعاة العناية البيئية الواجبة.
- أوقف مجموعة البطارية عن العمل بالكامل، ثم قم بإزالتها من الأداة.
 - خلايا الليثيوم أيون قابلة لإعادة التدوير. خذها إلى البائع أو مركز إعادة التدوير المحلي. سيتم إعادة تدوير مجموعات البطاريات المجمعّة أو التخلص منها بصورة مناسبة.

Afghanistan	Ariana Hafiz Zabi Co. Ltd. Dahan Bagh Squire Karte Ariana, Kabul, Afghanistan	info@arianahafiz.com	Tel: 93-0-799331079 Fax: 93-0-700075376 / 93-0-799331079
Algeria	Sarfi Outillage Corporation 08, Rue Med Boudiaf (ex TELLA Achen) Cheraga, Alger	hakim.merdjadi@outillage-dz.com lyes@outillage-dz.com Mail.faiza@outillage-dz.com; sidahmed@outillage-dz.com	Tel: 213-0-21375130 213-0-21375131 Fax: 213-0-21369667
Angola	Angoferraria, Lda. Rua Robert Shields, nº 61, Luanda, Angola	angoferraria@gmail.com sequeira.angoferraria@gmail.com	Tel: 244-222-395837 / 244-222-395034 Fax: 244-222-394790
Azerbaijan	Royalton Holdings Ltd. 41 Khagani St. Apt. 47 AZ1001 Baku - Azerbaijan	jai@royaltonholdings.com office@royaltonholdings.com	Tel: 994-12-4935544 Fax: 994-12-5980378
Egypt	ElFarab S.A.E. 15-Nabil El Wakkad Street, Dokki, Giza, Egypt	elfarab@elfarab.com adel.ezzaa@elfarab.com mahmoud.elhosseiny@elfarab.com	Tel: 202-37602946 Fax: 202-33352796
Ethiopia	Seif Tewrik Sherif Arada Sub City, Kebele 01/02, Global Insurance Bldg., 2nd Flr., Room 43, P.O. Box 2525, Addis Ababa	seif@ethionet.et nawanaj@ethionet.et	Tel: 251-11-1563968 251-11-1563969 Fax: 251-11-1558009
Iraq	Al-Sard Co. for General Trading Ltd Jbara Bldg. 3Flr. Al Rasheed St., Baghdad, Iraq	dewalt.service@yahoo.com	Tel: 964-18184102
Jordan	Amman West Stores-Bashiti 210 Garden St. Tla'a Ali, P.O. Box 1564 Tla Ali Amman 11953, Jordan	ali@bashitistores.com yousef@bashitistores.com	Tel: 962-6-5350009 Fax: 962-6-5350012
Kenya	Dextron Tools Ltd. P.O. Box 20121-00200, Shariff House, Kimathi Street, Nairobi	info@alibhaishariff.co.ke dextron@alibhaishariff.co.ke	Tel: 254-20-6905000 254-20-2358021 Fax: 254-20-6905111 / 254-20-6905112
Lebanon	Est. Shaya & Azar S.A.R.L. Boulevard Jdeideh - Mar Takla - Bouchrieh . P.O. Box 90545, Jdeideh, Beirut - Lebanon	shayazar@dm.net.lb	Tel: 961 8727305 961 872306 Fax: 961 872303
Libya	North Africa Trading (El Ghoul Brothers) P.O. Box 348, 7 October Street 11 Benghazi	maryam_farooq2003@yahoo.com nagte@eim.ae dewalt_libya@yahoo.com	Tel: 218-061-3833994 Fax: 218-092-7640688
	North Africa Trading (El Ghoul Brothers) AlBarniq DeWALT Center, Mokhazin-elsukar St. ElFallah, Tripoli	dewalt_libya@yahoo.com	Tel: 218-021-3606430 Fax: 218-092-6514813
	North Africa Trading (El Ghoul Brothers) AlHilal Service Center Tawergha St., Misurata		Tel: 218-091-3221408
Mauritius	Robert Le Marie Limited Old Moka Road, Bell Village, P.O. Box 161, Port Louis	a.blackburn.rfm@rimgroup.mu jm.pierrelouis.rfm@rimgroup.mu	Tel: 230-212 1865 230-212 2847 Fax: 230-2080843
Morocco	Ets Louis Guillaud & Cie 31, Rue Pierre Parent, Casablanca - 21000	boumadiane.azedine@elg.ma doukkali.marouane@elg.ma	Tel: 522-301446 / 305971 / 317815 / 315576 Fax: 522-444518 / 317888
Nigeria	Meridian Power Tools Ltd. Gr. Floor, #1 Alhaji Masha Rd, Next to Teslim Balogun Stadium, Near National Stadium Surulere, Lagos, Nigeria	braj@meridian-nigeria.com	Tel: 234-1-7740431 234-1-7740410 Fax: 234-1-7913798
Pakistan	Northern Toolings (Pvt) Ltd.-Lahore 86- Railway Road, Lahore - 7 Pakistan	zhayee@northern.pk import@northern.pk sales@northern.pk	Tel: 92-423-7651220 92-423-7641675 Fax: 92-423-7641674
	Northern Toolings (Pvt) Ltd.-Karachi 224-231 Industrial Town Plaza, Shahrh-e-Liaqat, Karachi, Pakistan	karachibr@northern.pk	Tel: 92-213-2465305 92-213-2465307 Fax: 92-213-2465301
	Northern Toolings (Pvt) Ltd.-Taxila Al-Rehman Plaza, Opposite Tehsil Court, Faisal Shaheed Road, Taxila	taxilabr@northern.pk	Tel: 92-51-4545811 Fax: 92-51-4544194
South Africa	Benray Tool Wholesalers C.C. 91 Turffontein Road, Stafford, Johannesburg, 2001 P.O. Box 260037 EXCOM 2023, South Africa	dewaltservice@benray.co.za zain@benray.co.za shafiq@benray.co.za	Tel: 27-11-6838350 Fax: 27-11-6837456
Tanzania	General Motors Investment Ltd. 14 Vingunguti-Nyerere Road, P.O.Box 16541, Dar es Salaam, Tanzania	ezra@gmi-tz.com info@gmi-tz.com chiwelesa@yahoo.com	Tel: 255-22-2865022 / 2862661 / 2862671 / 2862659 Fax: 255-22-2862667
Tunisia	Ets. Mohamed Ghorbel 03 Rue 8603 Charquia I Tunis. Postal Code 2035	slim.ghorbel@gnet.tn moh.ghorbel@gnet.tn mourad.ghorbel@gnet.tn	Tel: 216-71794248 216-71793848 Fax: 216-71770759
Uganda	The Building Center (21) Ltd. 52 Station Road, Kitgum House, P.O. Box 7436 Kampala, Uganda	tbc@africanline.co.ug chris@tbcu.co.ug	Tel: 256-041-4234567 256-041-4259754 Fax: 256-041-4236413
Yemen	Middle East Trading Co. (METCO) 5th Flr.Hayel Saeed Anam Bldg. Al-Mugamma St. Taiz, Yemen	tamer.metco@gmail.com tamer@metcotrading.com metco@metcotrading.com sami@metcotrading.com	Tel: 967-4-213455 Fax: 967-4-219869
	Middle East Trading Co. (METCO) Muailla Dakka, Aden	tamer.metco@gmail.com tamer@metcotrading.com metco@metcotrading.com	Tel: 967-2-222670 Fax: 967-2-222670
	Middle East Trading Co. (METCO) Hayel st., Sana'a, Yemen	tamer.metco@gmail.com tamer@metcotrading.com metco@metcotrading.com	Tel: 967-1-204201 Fax: 967-1-204204

UAE	Black & Decker (Overseas) GmbH P.O. Box 5420, Dubai	service.mea@blackdecker.com	Tel: 971-4 8127400 / 8127406 Fax: 971-4 2822765
	Ideal Star Workshop Eqpt. Trading LLC P.O. Box 37116, Al Quoz, Dubai	idealeq@emirates.net.ae	Tel: 971-4 3474160 Fax: 971-4 3474157
	Alebrah Engineering Service P.O. Box 78954, Al Qusais, Dubai	alebrah@eim.ae	Tel: 971-4 2850044 Fax: 971-4 2844802
	Burj Al Madeena Industrial Area No. 1, opp. Pakistani Masjid P.O. Box 37635, Sharjah	dewaltuae@hotmail.com	Tel: 971-6 5337747 Fax: 971-6 5337719
	McCoy Middle East LLC P.O. Box 25793, Sharjah	mccoy@emirates.net.ae	Tel: 971-6 5395931 Fax: 971-6 5395932
	McCoy Middle East LLC P.O. Box 10584, Ras Al Khaimah	mccoynak@gmail.com	Tel: 971-7 2277095 Fax: 971-7 2277096
	Al Sukoon Gen. Trdg. Co. LLC P.O. Box 2975, Ajman	sukoon@eim.ae	Tel: 971-6 7435725 / 7438317 Fax: 971-6 7437530
	Zillion Equipment and Spare Parts Trading LLC P.O. Box 19740, opp. Bin Sadal / Trimix Redymix Sanaiya, Al Ain	zilliontrdg@gmail.com	Tel: 971-3 7216690 Fax: 971-3 7216103
	Light House Electrical, Abu Dhabi Branch P.O. Box 120, Abu Dhabi	dewalt_lhe@hotmail.com	Tel: 971-2 6726131 Fax: 971-2 6720667
	Light House Electrical, Musaffah Branch P.O. Box 120, Abu Dhabi	dewalt_lhe@hotmail.com	Tel: 971-2 5548315 Fax: 971-2 5540461
Bahrain	Alfouz Services Co. WLL P.O. Box 26562, Tubli, Manama	alfouz@batelco.com.bh	Tel: 973 17783562 / 17879987 Fax: 973 17783479
	Kavalani & Sons W.L.L. P.O. Box 71, Sitra, Manama	info@kavalani.com pradeep@kavalani.com	Tel: 973 17732888 Fax: 973 17737379
Kuwait	Al Omar Technical Co. P.O. Box 4062, Safat 13041, Kuwait	alexotc@usa.net	Tel: 965 24848595 / 24840039 Fax: 965 24845652
	Fawaz Al Zayani Establishment P.O. Box 42426, Shop No.18, Al Humaizi Commercial Complex, Khalifa Al Jassim, Shuwaikh	dewaltkuwait@hotmail.com	Tel: 965 24828710 Fax: 965 24828716
	Fawaz Al Zayani Establishment Fahaheel Industrial Area, Main St., Sanaya	dewaltkuwait@hotmail.com	Tel: 965 23925830 Fax: 965 24828716
Oman	Al Jizzi Company LLC P.O. Box 1704, P.C. 112, Ruwi	aljizzied@omantel.net.om jizzi10@omantel.net.om	Tel: 968 24832618 / 24835153 Fax: 968 24831334 / 24836460
	Al Hassan Technical & Construction Supplies Co. LLC P.O. Box 1948, P.C. 112, Ruwi	hamriya.sr@al-hassan.com abrar.h@al-hassan.com	Tel: 968 24810575 / 24837054 Fax: 968 24810287 / 24833080
	Oman Hardware Co. LLC P.O. Box 635, Ruwi Postal Code 112	omanhard@omantel.net.om	Tel: 968 24815131 Fax: 968 24816491
	Khimji Ramdas P.O. Box 19, Post Code 100, Ghala, Muscat	bilal.m@khimjiramdas.com	Tel: 968 24595906/ 907 Fax: 968 24852752
Qatar	Teyseer Industrial Supplies & Services Co. WLL 55, Al Wakalat St. (Between St. 18 & 19) Salwa Industrial Area, P.O. Box 40523 Doha	manish@tisco-qatar.com tool.service@tisco-qatar.com	Tel: 974 4581536 Fax: 974 4682024
	Shaheen Electrical Works & Trading Co. WLL Gate 34, St. 44 Industrial Area P.O. Box 9756, Doha	shaheenel@gmail.com	Tel: 974 460 02 30 / 460 05 25 Fax: 974 460 13 38
KSA	Industrial Material Organization (IMO) P.O. Box 623, Rail Street, Riyadh	service@imo.com.sa	Tel: 966-1 4028010 Ext. 26 Fax: 966-1 8001245757 Fax: 966-1 4037970
	Fawaz Ebrahim Al Zayani Trading Est. P.O. Box 76026, Al Raka : 31952	dewaltdammam@hotmail.com	Tel: 966-3 8140914 Fax: 966-3 8140824
	MSS (Al-Mojil Supply & Services) P.O. Box 450, Jubail 31951	mssjubail@almojilservices.com alex.chang@almojilservices.com	Tel: 966-3 3612850 / 3624487 Fax: 966-3 3621729 Fax: 966-3 3623589 / 3620783
	Opp-Gulf Bridge Library & Riyadh House		
	EAC (Al Yousef Contg. & Trdg. Est.) P.O. Box 30377, Jeddah -21477	golamkibria77@yahoo.com	Tel: 966-2 65119912 Fax: 966-2 6511153
	Mohamed Ahmed Bin Afif Est. P.O. Box 530, Yanbu, Al Bahr	binafifyanbu@hotmail.com	Tel: 966-4 3222626 / 3228867 Fax: 966-4 3222210
	Garziz Trading for Bldg Mat & Decoration P.O. Box 3364, Madina	agartziz@yahoo.com	Tel: 966-4 826 14 90 / 822 76 36 Fax: 966-4 826 57 41
	Sultan Garment Factory (RSC) P.O. Box 29912, Riyadh 11467	rscservice@digil.net.sa	Tel: 966-1 4055148 / 4042889 Fax: 966-1 4055148
	Al Bawardi Tools & Hardware P.O. Box 112, Dammam 31411	asattar@albawardi.com nibanez@albawardi.com	Tel: 966-3 8330780 Ext. 24 Fax: 966-3 8348585 Ext. 24 Fax: 966-3 8336303
	Al Bawardi Tools & Hardware P.O. Box 68, Riyadh 11411	rbaltao@albawardi.com asamad@albawardi.com	Tel: 966-1 4484999 Fax: 966-3 4487877
Al Bawardi Tools & Hardware P.O. Box 16905, Jeddah 21474	sharadj@albawardi.com fgaber@albawardi.com	Tel: 966-2 6444547 / 6439035 Tel: 966-2 6456095 Fax: 966-2 6439024	