

**DEWALT®**

[www.DEWALT.eu](http://www.DEWALT.eu)

**DW887N**

---

<b>English (original instructions)</b>	<b>2</b>
<b>Français (traduction de la notice d'instructions originale)</b>	<b>10</b>
<b>ةيلصألا تاميلعتلا نع مجرتسم ةيبرعلا</b>	<b>19</b>

---

Figure 1

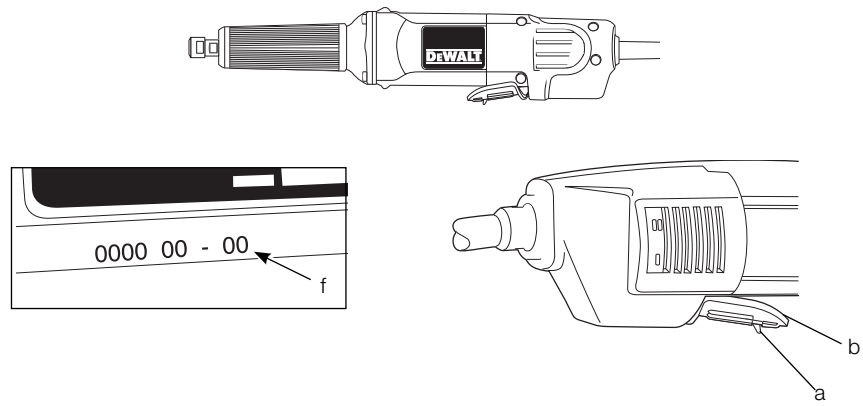


Figure 2

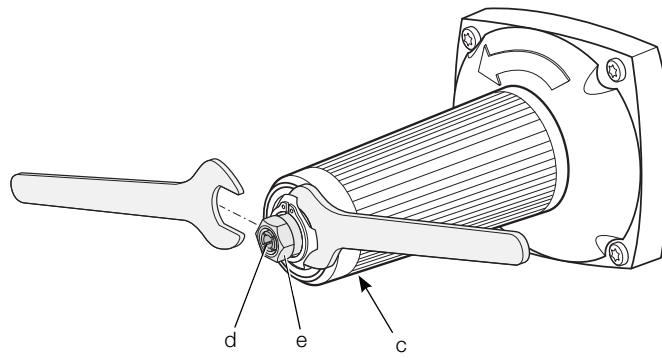
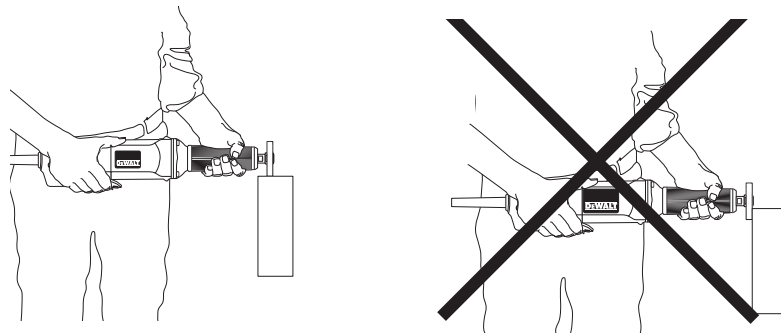


Figure 3



# DIE GRINDER DW887N


## Congratulations!

You have chosen a DEWALT tool. Years of experience, thorough product development and innovation make DEWALT one of the most reliable partners for professional power tool users.

## Technical Data

		DW887N	
Voltage	V <sub>AC</sub>	220/240	120
Power output	W	400	400
No load speed	min <sup>-1</sup>	25,000	25,000
Wheel diameter	mm	38	38
Spindle		M14	M14
Collet size	mm	6	6
Weight	kg	1.7	1.7
<hr/>			
L <sub>PA</sub> (sound pressure)	dB(A)	81	81
K <sub>PA</sub> (sound pressure uncertainty)	dB(A)	3	3
L <sub>WA</sub> (sound power)	dB(A)	92	92
K <sub>WA</sub> (sound power uncertainty)	dB(A)	3.2	3.2
<hr/>			
Vibration total values (triax vector sum) determined according to EN 60745:			
Vibration emission value a <sub>h</sub>			
a <sub>h</sub> =	m/s <sup>2</sup>	2.5	2.5
Uncertainty K =	m/s <sup>2</sup>	2.5	2.5

The vibration emission level given in this information sheet has been measured in accordance with a standardised test given in EN 60745 and may be used to compare one tool with another. It may be used for a preliminary assessment of exposure.

 **WARNING:** The declared vibration emission level represents the main applications of the tool. However if the tool is used for different applications, with different accessories or poorly maintained, the vibration emission may differ. This may significantly increase the exposure level over the total working period.

An estimation of the level of exposure to vibration should also take into account the times when the tool is switched off

or when it is running but not actually doing the job. This may significantly reduce the exposure level over the total working period.

Identify additional safety measures to protect the operator from the effects of vibration such as: maintain the tool and the accessories, keep the hands warm, organisation of work patterns.

## Definitions: Safety Guidelines

The definitions below describe the level of severity for each signal word. Please read the manual and pay attention to these symbols.



**DANGER:** Indicates an imminently hazardous situation which, if not avoided, **will** result in **death or serious injury**.



**WARNING:** Indicates a potentially hazardous situation which, if not avoided, **could** result in **death or serious injury**.



**CAUTION:** Indicates a potentially hazardous situation which, if not avoided, **may** result in **minor or moderate injury**.

**NOTICE:** Indicates a practice **not related to personal injury** which, if not avoided, **may** result in **property damage**.



Denotes risk of electric shock.



Denotes risk of fire.



**WARNING:** To reduce the risk of injury, read the instruction manual.

## General Power Tool Safety Warnings



**WARNING! Read all safety warnings and all instructions.** Failure to follow the warnings and instructions may result in electric shock, fire and/or serious injury.

**SAVE ALL WARNINGS AND INSTRUCTIONS FOR FUTURE REFERENCE**

The term "power tool" in the warnings refers to your mains-operated (corded) power tool or battery-operated (cordless) power tool.

### 1) WORK AREA SAFETY

- a) **Keep work area clean and well lit.** Cluttered or dark areas invite accidents.
- b) **Do not operate power tools in explosive atmospheres, such as in the presence of flammable liquids, gases or dust.** Power tools create sparks which may ignite the dust or fumes.
- c) **Keep children and bystanders away while operating a power tool.** Distractions can cause you to lose control.

### 2) ELECTRICAL SAFETY

- a) **Power tool plugs must match the outlet. Never modify the plug in any way. Do not use any adapter plugs with earthed (grounded) power tools.** Unmodified plugs and matching outlets will reduce risk of electric shock.
- b) **Avoid body contact with earthed or grounded surfaces such as pipes, radiators, ranges and refrigerators.** There is an increased risk of electric shock if your body is earthed or grounded.
- c) **Do not expose power tools to rain or wet conditions.** Water entering a power tool will increase the risk of electric shock.
- d) **Do not abuse the cord. Never use the cord for carrying, pulling or unplugging the power tool. Keep cord away from heat, oil, sharp edges or moving parts.** Damaged or entangled cords increase the risk of electric shock.
- e) **When operating a power tool outdoors, use an extension cord suitable for outdoor use.** Use of a cord suitable for outdoor use reduces the risk of electric shock.
- f) **If operating a power tool in a damp location is unavoidable, use a residual current device (RCD) protected supply.** Use of an RCD reduces the risk of electric shock.

### 3) PERSONAL SAFETY

- a) **Stay alert, watch what you are doing and use common sense when operating a power tool. Do not use a power tool while you are tired or under the influence of drugs, alcohol or medication.** A moment of inattention while operating power tools may result in serious personal injury.
- b) **Use personal protective equipment. Always wear eye protection.** Protective equipment such as dust mask, non-skid

safety shoes, hard hat, or hearing protection used for appropriate conditions will reduce personal injuries.

- c) **Prevent unintentional starting. Ensure the switch is in the off position before connecting to power source and/or battery pack, picking up or carrying the tool.** Carrying power tools with your finger on the switch or energising power tools that have the switch on invites accidents.
- d) **Remove any adjusting key or wrench before turning the power tool on.** A wrench or a key left attached to a rotating part of the power tool may result in personal injury.
- e) **Do not overreach. Keep proper footing and balance at all times.** This enables better control of the power tool in unexpected situations.
- f) **Dress properly. Do not wear loose clothing or jewellery. Keep your hair, clothing and gloves away from moving parts.** Loose clothes, jewellery or long hair can be caught in moving parts.
- g) **If devices are provided for the connection of dust extraction and collection facilities, ensure these are connected and properly used.** Use of dust collection can reduce dust-related hazards.

### 4) POWER TOOL USE AND CARE

- a) **Do not force the power tool. Use the correct power tool for your application.** The correct power tool will do the job better and safer at the rate for which it was designed.
- b) **Do not use the power tool if the switch does not turn it on and off.** Any power tool that cannot be controlled with the switch is dangerous and must be repaired.
- c) **Disconnect the plug from the power source and/or the battery pack from the power tool before making any adjustments, changing accessories, or storing power tools.** Such preventive safety measures reduce the risk of starting the power tool accidentally.
- d) **Store idle power tools out of the reach of children and do not allow persons unfamiliar with the power tool or these instructions to operate the power tool.** Power tools are dangerous in the hands of untrained users.
- e) **Maintain power tools. Check for misalignment or binding of moving parts, breakage of parts and any other condition that may affect the power tool's operation.**

## ENGLISH

---

*If damaged, have the power tool repaired before use. Many accidents are caused by poorly maintained power tools.*

- f) **Keep cutting tools sharp and clean.** Properly maintained cutting tools with sharp cutting edges are less likely to bind and are easier to control.
- g) **Use the power tool, accessories and tool bits etc., in accordance with these instructions taking into account the working conditions and the work to be performed.** Use of the power tool for operations different from those intended could result in a hazardous situation.

### 5) SERVICE

- a) **Have your power tool serviced by a qualified repair person using only identical replacement parts.** This will ensure that the safety of the power tool is maintained.

## ADDITIONAL SPECIFIC SAFETY RULES

### Safety Instructions for All Operations

- a) **This power tool is intended to function as a grinder, sander, wire brush, polisher or cut-off tool. Read all safety warnings, instructions, illustrations and specifications provided with this power tool.** Failure to follow all instructions listed below may result in electric shock, fire and/or serious injury.
- b) **Do not use accessories which are not specifically designed and recommended by the tool manufacturer.** Just because the accessory can be attached to your power tool, it does not assure safe operation. (Accessories for special cutting tools are not allowed!)
- c) **The rated speed of the accessory must be at least equal to the maximum speed marked on the power tool.** Accessories running faster than their rated speed can break and fly apart.
- d) **The outside diameter and the thickness of your accessory must be within the capacity rating of your power tool.** Incorrectly sized accessories cannot be adequately guarded or controlled.
- e) **The arbour size of wheels, flanges, backing pads or any other accessory must properly fit the spindle of the power tool.** Accessories with arbour holes that do not match the mounting hardware of the power tool will run out of balance, vibrate excessively and may cause loss of control.
- f) **Do not use a damaged accessory. Before each use inspect the accessory such as abrasive wheel for chips and cracks, backing pad for cracks, tear or excess wear, wire brush for loose or cracked wires. If power tool or accessory is dropped, inspect for damage or install an undamaged accessory. After inspecting and installing an accessory, position yourself and bystanders away from the plane of the rotating accessory and run the power tool at maximum no-load speed for one minute.** Damaged accessories will normally break apart during this test time.
- g) **Wear personal protective equipment. Depending on application, use face shield, safety goggles or safety glasses. As appropriate, wear dust mask, hearing protectors, gloves and workshop apron capable of stopping small abrasive or workpiece fragments.** The eye protection must be capable of stopping flying debris generated by various operations. The dust mask or respirator must be capable of filtrating particles generated by your operation. Prolonged exposure to high intensity noise may cause hearing loss.
- h) **Keep bystanders a safe distance away from work area. Anyone entering the work area must wear personal protective equipment.** Fragments of workpiece or of a broken accessory may fly away and cause injury beyond immediate area of operation.
- i) **Hold power tool by insulated gripping surfaces only, when performing an operation where the cutting accessory may contact hidden wiring or its own cord.** Cutting accessory contacting a "live" wire may make exposed metal parts of the power tool "live" and shock the operator.
- j) **Position the cord clear of the spinning accessory.** If you lose control, the cord may be cut or snagged and your hand or arm may be pulled into the spinning accessory.
- k) **Never lay the power tool down until the accessory has come to a complete stop.** The spinning accessory may grab the surface and pull the power tool out of your control.
- l) **Do not run the power tool while carrying it at your side.** Accidental contact with the spinning accessory could snag your clothing, pulling the accessory into your body.

- m) **Regularly clean the power tool's air vents.**  
*The motor's fan will draw the dust inside the housing and excessive accumulation of powdered metal may cause electrical hazards.*
- n) **Do not operate the power tool near flammable materials.** *Sparks could ignite these materials.*
- o) **Do not use accessories that require liquid coolants.** *Using water or other liquid coolants may result in electrocution or shock.*
- d) **Use special care when working corners, sharp edges etc. Avoid bouncing and snagging the accessory.** *Corners, sharp edges or bouncing have a tendency to snag the rotating accessory and cause loss of control or kickback.*
- e) **Do not attach a saw chain woodcarving blade or toothed saw blade.** *Such blades create frequent kickback and loss of control.*

## FURTHER SAFETY INSTRUCTIONS FOR ALL OPERATIONS

### Causes and Operator Prevention of Kickback

Kickback is a sudden reaction to a pinched or snagged rotating wheel, backing pad, brush or any other accessory. Pinching or snagging causes rapid stalling of the rotating accessory which in turn causes the uncontrolled power tool to be forced in the direction opposite of the accessory's rotation at the point of the binding.

For example, if an abrasive wheel is snagged or pinched by the workpiece, the edge of the wheel that is entering into the pinch point can dig into the surface of the material causing the wheel to climb out or kick out. The wheel may either jump toward or away from the operator, depending on direction of the wheel's movement at the point of pinching. Abrasive wheels may also break under these conditions.

Kickback is the result of power tool misuse and/or incorrect operating procedures or conditions and can be avoided by taking proper precautions as given below:

- a) **Maintain a firm grip on the power tool and position your body and arm to allow you to resist kickback forces. Always use auxiliary handle, if provided, for maximum control over kickback or torque reaction during start-up.** *The operator can control torque reaction or kickback forces, if proper precautions are taken.*
- b) **Never place your hand near the rotating accessory.** *Accessory may kickback over your hand.*
- c) **Do not position your body in the area where power tool will move if kickback occurs.** *Kickback will propel the tool in direction opposite to the wheel's movement at the point of snagging.*

### Safety Warnings Specific for Grinding and Abrasive Cutting-Off Operations

- a) **Use only wheel types that are recommended for your power tool and the specific guard designed for the selected wheel.** *Wheels for which the power tool was not designed cannot be adequately guarded and are unsafe.*
- b) **Wheels must be used only for recommended applications. For example: do not grind with the side of cut-off wheel.** *Abrasive cut-off wheels are intended for peripheral grinding, side forces applied to these wheels may cause them to shatter.*
- c) **Always use undamaged wheel flanges that are of correct size and shape for your selected wheel.** *Proper wheel flanges support the wheel thus reducing the possibility of wheel breakage. Flanges for cut-off wheels may be different from grinding wheel flanges.*
- d) **Do not use worn down wheels from larger power tools.** *Wheel intended for larger power tool is not suitable for the higher speed of a smaller tool and may burst.*

### Additional Safety Warnings Specific for Abrasive Cutting-Off Operations

- a) **Do not "jam" the cut-off wheel or apply excessive pressure. Do not attempt to make an excessive depth of cut.** *Overstressing the wheel increases the loading and susceptibility to twisting or binding of the wheel in the cut and the possibility of kickback or wheel breakage.*
- b) **Do not position your body in line with and behind the rotating wheel.** *When the wheel, at the point of operations, is moving away from your body, the possible kickback may propel the spinning wheel and the power tool directly at you.*
- c) **When wheel is binding or when interrupting a cut for any reason, switch off the power tool and hold the power tool motionless**

## ENGLISH

*until the wheel comes to a complete stop. Never attempt to remove the cut-off wheel from the cut while the wheel is in motion otherwise kickback may occur. Investigate and take corrective action to eliminate the cause of wheel binding.*

- d) **Do not restart the cutting operation in the workpiece. Let the wheel reach full speed and carefully reenter the cut.** *The wheel may bind, walk up or kickback if the power tool is restarted in the workpiece.*
- e) **Support panels or any oversized workpiece to minimise the risk of wheel pinching and kickback.** *Large workpieces tend to sag under their own weight. Supports must be placed under the workpiece near the line of cut and near the edge of the workpiece on both sides of the wheel.*
- f) **Use extra caution when making a “pocket cut” into existing walls or other blind areas.** *The protruding wheel may cut gas or water pipes, electrical wiring or objects that can cause kickback.*

### Safety Warnings Specific for Sanding Operations

- a) **Do not use excessively oversized sanding disc paper. Follow manufacturer’s recommendations, when selecting sanding paper.** *Larger sanding paper extending beyond the sanding pad presents a laceration hazard and may cause snagging, tearing of the disc or kickback.*

### Safety Warnings Specific for Polishing Operations

- a) **Do not allow any loose portion of the polishing bonnet or its attachment strings to spin freely. Tuck away or trim any loose attachment strings.** *Loose and spinning attachment strings can entangle your fingers or snag on the workpiece.*

### Safety Warnings Specific for Wire Brushing Operations

- a) **Be aware that wire bristles are thrown by the brush even during ordinary operation. Do not overstress the wires by applying excessive load to the brush.** *The wire bristles can easily penetrate light clothing and/or skin.*

- b) **If the use of a guard is recommended for wire brushing, do not allow any interference of the wire wheel or brush with the guard.** *Wire wheel or brush may expand in diameter due to work and centrifugal forces.*

### Residual Risks

In spite of the application of the relevant safety regulations and the implementation of safety devices, certain residual risks cannot be avoided. These are:

- Impairment of hearing.
- Risk of personal injury due to flying particles.
- Risk of burns due to accessories becoming hot during operation.
- Risk of personal injury due to prolonged use.

### Markings on Tool

The following pictograms are shown on the tool:



Read instruction manual before use.



Wear ear protection.



Wear eye protection.

### DATE CODE POSITION (FIG. 1)

The date code (f), which also includes the year of manufacture, is printed into the housing.

Example:

2011 XX XX

Year of Manufacture

### Package Contents

The package contains:

- 1 DW887N die grinder
  - 2 Spanners
  - 1 Instruction manual
- Check for damage to the tool, parts or accessories which may have occurred during transport.
  - Take the time to thoroughly read and understand this manual prior to operation.



## Description (fig. 1, 2)



**WARNING:** Never modify the power tool or any part of it. Damage or personal injury could result.

- a. Lock-off lever
- b. Paddle switch
- c. Spindle
- d. Collet
- e. Collet nut

### INTENDED USE

Your die grinder has been designed for professional grinding applications. The tool can be used with the complete range of commercial grinding tools with a maximum diameter of 38 mm and approved speed of 25000/min.

**DO NOT** use grinding wheel other than specified under technical data.

**DO NOT** use under wet conditions or in presence of flammable liquids or gases.

These die grinders are professional power tools.

**DO NOT** let children come into contact with the tool. Supervision is required when inexperienced operators use this tool.

- This product is not intended for use by persons (including children) suffering from diminished physical, sensory or mental abilities; lack of experience, knowledge or skills unless they are supervised by a person responsible for their safety. Children should never be left alone with this product.

## Electrical Safety

The electric motor has been designed for one voltage only. Always check that the power supply corresponds to the voltage on the rating plate.



Your DEWALT tool is double insulated in accordance with EN 60745; therefore no earth wire is required.



**WARNING:** 120 V units have to be operated via a fail-safe isolating transformer with an earth screen between the primary and secondary winding.

If the supply cord is damaged, it must be replaced by a specially prepared cord available through the DEWALT service organisation.

## Mains Plug Replacement (Middle East and Africa)

If a new mains plug needs to be fitted:

- Safely dispose of the old plug.
- Connect the brown lead to the live terminal in the plug.
- Connect the blue lead to the neutral terminal.



**WARNING:** No connection is to be made to the earth terminal.

Follow the fitting instructions supplied with good quality plugs. Recommended fuse: 13 A.

## Using an Extension Cable

If an extension cable is required, use an approved extension cable suitable for the power input of this tool (see **Technical Data**). The minimum conductor size is 1 mm<sup>2</sup>; the maximum length is 30 m.

When using a cable reel, always unwind the cable completely.

## ASSEMBLY AND ADJUSTMENTS



**WARNING:** To reduce the risk of injury, turn unit off and disconnect machine from power source before installing and removing accessories, before adjusting or changing set-ups or when making repairs. Be sure the switch is in the OFF position. An accidental start-up can cause injury.

## Switches



**WARNING:** Before connecting the tool to a power source depress and release the switch once without depressing the lock-on button to ensure that the switch is off. Depress and release the switch as described above after any interruption in power supply to the tool, such as the activation of a ground fault interrupter, throwing of a circuit breaker, accidental unplugging, or power failure. If the switch is locked on, the tool will start unexpectedly when it is reconnected.



**WARNING:** Grasp tool firmly with both hands to maintain control of the tool at start up and during use and until the wheel or accessory stops rotating. Make sure the wheel has come to a complete stop before laying the tool down.

## ENGLISH



**WARNING:** To reduce unexpected tool movement, do not switch the tool on or off while under load conditions. Allow the grinder to run up to full speed before touching the work surface. Lift the tool from the surface before turning the tool off.

### PADDLE SWITCH (FIG. 1)

The lock-off lever (a), located on the paddle switch, is a safety feature that prevents accidental activation of the grinder.

To turn the tool on, push the lock-off lever (a) toward the back of the tool, then depress the paddle switch (b). The tool will run while the switch is depressed. Turn the tool off by releasing the paddle switch.



**WARNING:** Do not disable the lock-off lever. If the lock-off lever is disabled, the tool may start unexpectedly when it is laid down.

## OPERATION

### Instructions for Use



**WARNING:** Always observe the safety instructions and applicable regulations.

### Install Grinding Wheels (fig. 2)

1. Hold the spindle (c) using the spanner provided.
2. Loosen the collet nut (e) by turning it counterclockwise.
3. Insert the shank of the accessory into the collet (d).
4. Securely tighten the collet using the spanner provided.

To remove the accessory, proceed in reverse order.



**WARNING:** Grasp tool firmly with both hands to maintain control of the tool at start up and during use and until the wheel or accessory stops rotating. Make sure the wheel has come to a complete stop before laying the tool down.

Put the work in a vise or clamp it securely. Use a face mask over the nose and mouth if the operation raises dust. Treat the wheel with respect. Do not jam the wheel into the work or use unnecessary pressure. Grind only on the face of the wheel unless you have a special wheel specifically made to permit grinding on the side of the wheel.

### Proper Hand Position (fig. 3)



**WARNING:** To reduce the risk of serious personal injury, **ALWAYS** use proper hand position as shown.



**WARNING:** To reduce the risk of serious personal injury, **ALWAYS** hold securely in anticipation of a sudden reaction.

Proper hand position requires one hand on the body, with the other hand on the neck of the die grinder, as shown in figure 3.

## MAINTENANCE

Your DEWALT power tool has been designed to operate over a long period of time with a minimum of maintenance. Continuous satisfactory operation depends upon proper tool care and regular cleaning.



**WARNING:** To reduce the risk of injury, turn unit off and disconnect machine from power source before installing and removing accessories, before adjusting or changing set-ups or when making repairs. Be sure the switch is in the OFF position. An accidental start-up can cause injury.

### Motor Brushes

Keep brushes clean and sliding freely in their guides. Carbon brushes have varying symbols stamped into them, and if the brush is worn down to the line closest to the spring, they must be replaced. New brush assemblies are available at your local service center.



### Lubrication

Your power tool requires no additional lubrication.



### Cleaning



**WARNING:** Blow dirt and dust out of the main housing with dry air as often as dirt is seen collecting in and around the air vents. Wear approved eye protection and approved dust mask when performing this procedure.



**WARNING:** It is recommended that a residual current device (RFD) is utilized to further protect the user from electric shock resulting from the accumulation of conductive particles. If the tool is deactivated by the RFD, unplug the tool and check and clean the tool before resetting the RFD.



**WARNING:** Never use solvents or other harsh chemicals for cleaning the non-metallic parts of the tool. These chemicals may weaken the materials used in these parts. Use a cloth dampened only with water and mild soap. Never let any liquid get inside the tool; never immerse any part of the tool into a liquid.

Local regulations may provide for separate collection of electrical products from the household, at municipal waste sites or by the retailer when you purchase a new product.

DEWALT provides a facility for the collection and recycling of DEWALT products once they have reached the end of their working life. To take advantage of this service please return your product to any authorised repair agent who will collect them on our behalf.

You can check the location of your nearest authorised repair agent by contacting your local DEWALT office at the address indicated in this manual. Alternatively, a list of authorised DEWALT repair agents and full details of our after-sales service and contacts are available on the Internet at: [www.2helpU.com](http://www.2helpU.com).

## Optional Accessories



**WARNING:** Since accessories, other than those offered by DEWALT, have not been tested with this product, use of such accessories with this tool could be hazardous. To reduce the risk of injury, only DEWALT recommended accessories should be used with this product.



**WARNING:** To reduce the risk of injury, **ALWAYS** use proper eye protection when grinding.

## ACCESSORY FOR DIE GRINDERS

Mounted Stones and Points

Consult your dealer for further information on the appropriate accessories.

## Protecting the Environment



Separate collection. This product must not be disposed of with normal household waste.

Should you find one day that your DEWALT product needs replacement, or if it is of no further use to you, do not dispose of it with household waste. Make this product available for separate collection.



Separate collection of used products and packaging allows materials to be recycled and used again. Re-use of recycled materials helps prevent environmental pollution and reduces the demand for raw materials.

# MEULE À RECTIFIER LES MATRICES DW887N

## Félicitations !

Vous avez choisi un outil DEWALT. Des années d'expertise dans le développement et l'innovation de ses produits ont fait de DEWALT, le partenaire privilégié des utilisateurs professionnels d'outils électriques.

## Caractéristiques techniques

DW887N			
Tension	V <sub>AC</sub>	220/240	120
Puissance de sortie	W	400	400
Vitesse à vide	min <sup>-1</sup>	25,000	25,000
Diamètre de meule	mm	38	38
Arbre		M14	M14
Taille de pince	mm	6	6
Poids	kg	1,7	1,7
<hr/>			
L <sub>PA</sub> (pression acoustique)	dB(A)	81	81
K <sub>PA</sub> (incertitude de pression acoustique)	dB(A)	3	3
L <sub>WA</sub> (puissance acoustique)	dB(A)	92	92
K <sub>WA</sub> (incertitude de puissance acoustique)	dB(A)	3,2	3,2

Valeurs du taux de vibrations (somme vectorielle de triaxialité) déterminées conformément à la norme EN 60745 :

Valeur d'émission de vibration a <sub>h</sub>			
a <sub>h</sub> =	m/s <sup>2</sup>	2,5	2,5
ncertitude K =	m/s <sup>2</sup>	2,5	2,5

Le taux d'émission de vibrations indiqué dans ce feuillet informatif a été mesuré conformément à une méthode d'essai normalisé établie par EN 60745, et peut être utilisé pour comparer un outil à un autre. Il peut également être utilisé pour effectuer une évaluation préliminaire de l'exposition.



**AVERTISSEMENT** : le taux d'émission de vibrations déclaré correspond aux applications principales de l'outil. Néanmoins, si l'outil est utilisé pour différentes applications ou est mal entretenu, ce taux d'émission de vibrations pourra varier. Ces éléments peuvent augmenter considérablement le niveau d'exposition sur la durée totale de travail.

Toute estimation du degré d'exposition à des vibrations doit également prendre en compte les heures où l'outil est mis hors tension ou lorsqu'il tourne sans effectuer aucune tâche. Ces éléments peuvent réduire sensiblement le degré d'exposition sur la durée totale de travail.

Identifier des mesures de sécurité supplémentaires pour protéger l'opérateur contre les effets nocifs des vibrations telles que : maintenance de l'outil et des accessoires, maintenir la température des mains élevée, organisation du travail.

## Définitions : consignes de sécurité

Les définitions ci-après décrivent le degré de risques associé à chaque balise. Lire soigneusement la notice d'instructions et respecter ces symboles.

de danger imminent qui, si rien n'est fait pour l'éviter, **aura** comme conséquences la **mort ou des dommages corporels graves**.



**AVERTISSEMENT** : indique une situation de danger potentiel qui, si rien n'est fait pour l'éviter, **pourra** avoir comme conséquences la **mort ou des dommages corporels graves**.



**ATTENTION** : indique une situation de danger potentiel qui, si rien n'est fait pour l'éviter, **pourrait** avoir comme conséquences des **dommages corporels mineurs ou moindres**.

**AVIS** : indique une pratique ne **posant aucun risque de dommages corporels**, mais qui par contre, si rien n'est fait pour l'éviter, **pourrait** poser des **risques de dommages matériels**.



Indique des risques de décharges électriques.



Indique des risques d'incendie.



**AVERTISSEMENT** : pour réduire tout risque de dommages corporels, lire la notice d'instructions

## Consignes de sécurité générales propres aux outils électriques



### **AVERTISSEMENT ! lire toutes les directives et consignes de sécurité.**

Tout manquement aux directives et consignes ci-incluses comporte des risques de décharges électriques, d'incendie et/ou de dommages corporels graves.

### **CONSERVER TOUTES CES DIRECTIVES ET CONSIGNES À TITRE DE RÉFÉRENCE**

Le terme « outil électrique » mentionné dans les avertissements ci-après se rapporte aux outils alimentés sur secteur (avec fil) ou par piles (sans fil).

#### **1) SÉCURITÉ – AIRE DE TRAVAIL**

- Maintenir l'aire de travail propre et bien éclairée.** Les lieux sombres ou encombrés sont propices aux accidents.
- Ne pas utiliser un outil électrique dans un milieu déflagrant, comme en présence de liquides, gaz ou poussières inflammables.** Les outils électriques peuvent produire des étincelles qui pourraient enflammer toute émanation ou poussière ambiante.
- Maintenir à l'écart les enfants, ou toute autre personne, lors de l'utilisation d'un outil électrique.** Toute distraction pourrait faire perdre la maîtrise de l'appareil.

#### **2) SÉCURITÉ – ÉLECTRICITÉ**

- La fiche électrique de l'outil doit correspondre à la prise murale. Ne modifier la fiche en aucune façon. Ne pas utiliser de fiche d'adaptation avec un outil électrique mis à la terre (masse).** L'utilisation de fiches d'origine et de prises appropriées réduira tout risque de décharges électriques.
- Éviter tout contact corporel avec des éléments mis à la terre comme : tuyaux, radiateurs, cuisinières ou réfrigérateurs.** Les risques de décharges électriques augmentent lorsque le corps est mis à la terre.
- Ne pas exposer les outils électriques à la pluie ou à l'humidité.** Tout contact d'un outil électrique avec un liquide augmente les risques de décharges électriques.
- Ne pas utiliser le cordon de façon abusive. Ne jamais utiliser le cordon pour transporter, tirer ou débrancher un outil électrique. Protéger le cordon de toute source de chaleur, de l'huile, et de tout bord tranchant ou pièce mobile.**

Les cordons endommagés ou emmêlés augmentent les risques de décharges électriques.

- En cas d'utilisation d'un outil électrique à l'extérieur, utiliser systématiquement une rallonge conçue à cet effet.** Cela diminuera tout risque de décharges électriques.
- Si on ne peut éviter d'utiliser un outil électrique en milieu humide, utiliser un circuit protégé par un dispositif de courant résiduel (RCD).** Cela réduira tout risque de décharges électriques.

#### **3) SÉCURITÉ INDIVIDUELLE**

- Rester systématiquement vigilant et faire preuve de jugement lorsqu'on utilise un outil électrique. Ne pas utiliser d'outil électrique en cas de fatigue ou sous l'influence de drogues, d'alcool ou de médicaments.** Tout moment d'inattention pendant l'utilisation d'un outil électrique comporte des risques de dommages corporels graves.
- Porter un équipement de protection individuel. Porter systématiquement un dispositif de protection oculaire.** Le fait de porter un masque anti-poussières, des chaussures antidérapantes, un casque de sécurité ou un dispositif de protection auditive, lorsque la situation le requiert, réduira les risques de dommages corporels.
- Prévenir tout démarrage accidentel. S'assurer que l'interrupteur est en position d'arrêt avant de brancher l'outil sur le secteur et/ou à la batterie, ou de le ramasser ou le transporter.** Transporter un outil le doigt sur l'interrupteur ou brancher un outil électrique alors que l'interrupteur est en position de marche invite les accidents.
- Retirer toute clé de réglage avant de démarrer l'outil.** Une clé laissée sur une pièce rotative d'un outil électrique comporte des risques de dommages corporels.
- Adopter une position stable. Maintenir les pieds bien ancrés au sol et conserver son équilibre en permanence.** Cela permettra de mieux maîtriser l'outil électrique en cas de situations imprévues.
- Porter des vêtements appropriés. Ne porter aucun vêtement ample ou bijou. Maintenir cheveux, vêtements et gants à l'écart des pièces mobiles, car ils pourraient s'y faire prendre.**
- Lorsqu'un dispositif de connexion à un système de dépoussiérage ou d'élimination est fourni, s'assurer qu'il est**

*branché et utilisé correctement. L'utilisation de ces dispositifs peut réduire les risques engendrés par les poussières.*

#### 4) UTILISATION ET ENTRETIEN DES OUTILS ÉLECTRIQUES

- a) **Ne pas forcer un outil électrique. Utiliser l'outil approprié au travail en cours.** L'outil approprié effectuera un meilleur travail, de façon plus sûre et à la vitesse pour laquelle il a été conçu.
- b) **Ne pas utiliser un outil électrique dont l'interrupteur est défectueux.** Tout appareil dont l'interrupteur est défectueux est dangereux et doit être réparé.
- c) **Débrancher la fiche du secteur et/ou la batterie de l'outil électrique avant d'effectuer tout réglage, de changer tout accessoire, ou avant de le ranger.** Ces mesures préventives réduiront tout risque de démarrage accidentel de l'appareil.
- d) **Après utilisation, ranger les outils électriques hors de portée des enfants et ne permettre à aucune personne non familière avec son fonctionnement (ou sa notice d'instructions) de l'utiliser.** Les outils peuvent être dangereux entre des mains inexpérimentées.
- e) **Entretien des outils électriques. Vérifier les pièces mobiles pour s'assurer qu'elles sont bien alignées et tournent librement, qu'elles sont en bon état et ne sont affectées d'aucune condition susceptible de nuire au bon fonctionnement de l'outil. En cas de dommage, faire réparer l'outil électrique avant toute nouvelle utilisation.** De nombreux accidents sont causés par des outils mal entretenus.
- f) **Maintenir tout organe de coupe propre et bien affûté.** Les outils de coupe bien entretenus et affûtés sont moins susceptibles de se coincer et sont plus faciles à contrôler.
- g) **Utiliser un outil électrique, ses accessoires, mèches, etc., conformément aux présentes directives et suivant la manière prévue pour ce type particulier d'outil électrique, en tenant compte des conditions de travail et de la tâche à effectuer.** L'utilisation d'un outil électrique à des fins autres que celles prévues est potentiellement dangereuse.

#### 5) RÉPARATION

- a) **Faire entretenir les outils électriques par un réparateur qualifié en n'utilisant que des pièces de rechange identiques.** Cela permettra de préserver l'intégrité de l'outil électrique et la sécurité de l'utilisateur.

## RÈGLES PARTICULIÈRES DE SÉCURITÉ ADDITIONNELLES

### Consignes générales de sécurité

- a) **Cet outil électrique a été conçu pour le meulage, ponçage, brossage métallique, polissage ou le tronçonnage. Lire toute directive de sécurité, consigne, illustration et spécification fournie avec l'outil électrique.** Tout manquement aux directives suivantes pose des risques de décharges électriques, d'incendie et/ou de blessures graves.
- b) **Ne pas utiliser des accessoires qui n'ont pas été spécifiquement conçus et recommandés par le fabricant de l'outil.** Le fait que l'accessoire peut être rattaché à l'outil électrique ne veut pas automatiquement dire que son utilisation ne posera aucun risque. (les accessoires pour les outils de coupe spéciaux ne sont pas admis !)
- c) **La vitesse nominale des accessoires doit être équivalente ou supérieure à celle recommandée sur l'étiquette d'avertissement de l'outil.** Les accessoires utilisés à une vitesse plus rapide que leur vitesse nominale peuvent éclater ou se détacher de l'outil.
- d) **Le diamètre externe et l'épaisseur de l'accessoire utilisé doivent se conformer aux spécifications de la plaque signalétique de l'outil électrique.** Les accessoires aux spécifications incorrectes ne peuvent être ni maintenus ni contrôlés de façon adéquate.
- e) **L'alésage des meules, brides, tampons de soutien, ou de tout autre accessoire, doit correspondre parfaitement à la taille de la broche de l'outil électrique.** Les accessoires dont l'alésage ne correspond pas au dispositif d'installation de l'outil électrique ne tourneront pas correctement, vibreront de façon excessive et pourront causer la perte de contrôle de l'outil.
- f) **Ne pas utiliser d'accessoires endommagés.** Avant toute utilisation, vérifier tous les accessoires, par exemple que les meules abrasives ne sont ni ébréchées ni fendues, les tampons de soutien ne sont ni fendus ni usés excessivement, les brosses métalliques ne comportent aucun élément brisé ou lâche. En cas de chute, vérifier que l'outil n'a pas été endommagé et remplacer tout accessoire abîmé. Après avoir inspecté et installé un accessoire, se situer, soi-même et tout individu présent, hors du plan de rotation de l'accessoire et laisser

**tourner l'outil une minute à sa vitesse à vide maximale.** En général, tout accessoire endommagé se brisera lors du temps d'essai.

- g) **Porter un équipement de protection individuel. Selon l'application, utiliser une protection faciale et des lunettes ou un masque de protection. Si approprié, porter un masque anti-poussières, une protection auditive, des gants et un tablier d'atelier capables de vous protéger contre toute projection abrasive ou tout fragment.** La protection oculaire doit être capable d'arrêter toute projection de débris engendrés par des opérations diverses. Le masque anti-poussières doit être capable de filtrer les particules engendrées par l'opération en cours. Toute exposition prolongée à un haut niveau de décibels peut occasionner une perte de l'acuité auditive.
- h) **Maintenir à distance toute personne étrangère au travail en cours. Toute personne à l'intérieure de l'aire de travail doit porter un équipement de protection individuel.** Des débris provenant de la pièce à travailler ou d'un accessoire brisé pourraient être éjectés et causer des dommages corporels au-delà de l'aire de travail immédiate.
- i) **Tenir l'outil par les surfaces isolées prévues à cet effet pendant toute utilisation où l'organe de coupe pourrait entrer en contact avec des fils électriques cachés ou son propre cordon.** Tout contact de l'organe de coupe avec un fil sous tension met les parties métalliques exposées de l'outil sous tension et électrocute l'utilisateur.
- j) **Maintenir le cordon électrique éloigné de la partie rotative de l'outil.** En cas de perte de contrôle, le cordon pourrait être sectionné ou abîmé, et les bras ou mains pourraient entrer en contact avec l'organe rotatif.
- k) **Attendre systématiquement l'arrêt complet de l'outil avant de le déposer.** L'organe rotatif pourrait s'accrocher à la surface utilisée et rendre l'outil dangereusement imprévisible.
- l) **Ne pas laisser l'outil électrique en marche alors qu'il est accroché à votre côté.** Tout contact accidentel de l'organe rotatif pourrait faire que ce dernier s'accroche aux vêtements et qu'un accessoire entre en contact avec le corps.
- m) **Nettoyer régulièrement les orifices d'aération de l'outil.** Le ventilateur du moteur attirera de la poussière à l'intérieur du boîtier

et une accumulation excessive de poussières métalliques pourrait poser des risques d'électrocution/incendie.

- n) **Ne pas utiliser cet outil électrique à proximité de matériaux inflammables,** car des étincelles pourraient les enflammer.
- o) **Ne pas utiliser d'accessoires nécessitant l'utilisation d'un réfrigérant fluide.** L'utilisation d'eau ou de tout autre réfrigérant fluide pourrait poser des risques d'électrocution ou de décharges électriques.

## CONSIGNES GÉNÉRALES DE SÉCURITÉ COMPLÉMENTAIRES

### Causes et prévention anti-rebonds

Les rebonds sont la conséquence du grippage ou coinçage d'une meule, d'un tampon de soutien, d'une brosse en rotation ou de tout autre accessoire. Tout grippage ou coinçage causera rapidement le blocage de l'accessoire en rotation, ce qui lancera l'outil non contrôlé dans la direction opposée à l'accessoire en rotation au point du grippage.

Par exemple, si une meule abrasive reste accrochée ou pincée dans une pièce à travailler, le bord de la meule engagée au point de grippage peut s'enfoncer dans la surface du matériau et faire tressauter ou rebondir la meule. La meule peut alors rebondir vers ou à l'opposé de l'utilisateur, selon la direction du mouvement de la meule au point de grippage. Dans ces conditions, il peut aussi arriver que les meules abrasives se brisent.

Les rebonds proviennent d'une utilisation impropre de l'outil électrique ou de conditions ou procédures d'exécution incorrectes, et peuvent être évités en prenant les précautions adéquates énoncées ci-dessous :

- a) **Maintenir la scie fermement en positionnant le corps et les bras de façon à pouvoir résister à toute force de rebonds.** Utiliser systématiquement la poignée latérale, si fournie avec l'outil, pour un contrôle maximal de l'outil en cas de rebonds ou retour de couple au démarrage. L'utilisateur peut contrôler le retour de couple ou les forces de rebonds si des précautions adéquates sont prises.
- b) **Ne jamais approcher les mains de l'organe rotatif.** L'accessoire pourrait rebondir sur les mains.
- c) **Ne pas positionner le corps dans l'espace que pourrait occuper l'outil en cas de rebonds.** Les rebonds projeteront l'outil dans

## FRANÇAIS

la direction opposée au mouvement de la meule au point de grippage.

- d) **Prendre des précautions supplémentaires pour travailler des coins, des bords acérés, etc. Éviter que l'accessoire sursaute ou reste accroché.** Les coins, bords acérés ou les sursauts ont tendance à retenir l'accessoire en rotation et causer la perte de contrôle de l'outil, ou des rebonds.
- e) **Ne pas rattacher une lame à chaîne coupante, à sculpter ou une lame dentée.** Ces lames posent des risques de rebonds fréquents et de perte de contrôle de l'outil.

### Consignes spécifiques de sécurité propres au meulage et au tronçonnage abrasif

- a) Utiliser uniquement des types de meules recommandés pour votre outil électrique ainsi que le carter spécifiquement conçu pour la meule choisie. Les meules non conçues pour un outil électrique ne peuvent être adéquatement protégées et sont dangereuses.
- b) Les meules ne doivent être utilisées que pour les applications recommandées. Par exemple : ne pas meuler avec la partie latérale d'une meule à tronçonner. Les meules à tronçonner ont été conçues pour le meulage périphérique, toute force latérale appliquée sur ces meules pourrait les faire éclater.
- c) Utiliser systématiquement des brides de meules en parfait état, de taille et forme adaptées à la meule choisie. Les brides de meules servent de support aux meules, réduisant ainsi les possibilités que la meule se brise. Les brides de meules à tronçonner peuvent différer des brides de disques à meuler.
- d) Ne pas utiliser de meules émoussées lors de leur utilisation sur des outils électriques plus gros. Les meules conçues pour des outils électriques plus gros ne sont pas adéquates pour les vitesses plus rapides des outils plus petits, et risqueraient d'éclater.

### Consignes spécifiques de sécurité additionnelles propres au tronçonnage abrasif

- a) **Ne pas gripper la meule à tronçonner ou lui appliquer une pression excessive. Ne pas tenter d'effectuer des profondeurs de coupe excessives.** Pousser excessivement la meule augmente la charge imposée à l'outil, et les

possibilités de torsion ou grippage de la meule dans la coupe, et par conséquent les rebonds et bris.

- b) **Ne pas aligner le corps avec la meule en rotation ou se placer derrière elle.** Lorsque la meule, au point d'exécution, s'éloigne du corps, tout rebond possible pourrait propulser la meule en rotation et l'outil électrique directement sur l'utilisateur.
- c) **En cas de grippage de meule, ou si une coupe est interrompue pour quelque raison que ce soit, arrêter l'outil électrique et le maintenir immobile jusqu'à arrêt complet de la meule. Ne jamais tenter de retirer une meule à tronçonner de la coupe alors qu'elle est en rotation, pour prévenir tout rebond.** Vérifier la pièce à travailler et prendre les mesures adéquates pour éliminer toute cause de grippage.
- d) **Ne pas reprendre l'opération de coupe dans la pièce. Laisser la meule tourner à plein régime puis ré-entrer dans la coupe prudemment.** La meule pourrait se gripper, sortir de la coupe ou effectuer un rebond si l'outil électrique était remis en marche dans la pièce à travailler.
- e) **Soutenir les panneaux, ou toute pièce surdimensionnée, pour minimiser tout risque de grippage ou rebond de la meule.** Les pièces larges ont tendance à s'affaisser sous leur propre poids. Un support doit être installé sous la pièce à travailler, près de la ligne de coupe, et près des bords, de chaque côté de la meule.
- f) **Prenez des précautions supplémentaires lors de « coupes de poche » dans des murs existants ou dans toute zone à visibilité limitée.** La meule pourrait couper des canalisations de gaz ou d'eau, des fils électriques ou des objets pouvant causer en retour des rebonds.

### Consignes spécifiques de sécurité propres au ponçage

- a) **Ne pas utiliser des disques de papier abrasif de taille excessive. Suivre les recommandations du fabricant lors de la sélection du papier à poncer.** Les feuilles de papier abrasif de grande taille, dépassant du tampon ponceur, posent des risques de lacération, et peuvent faire que le disque s'accroche ou se déchire, ou causer des rebonds.



## Consignes spécifiques de sécurité propres au polissage

- a) **Ne laisser aucune portion flottante du bonnet de polissage ou de ses cordons de fixation tourner librement. Ranger ou couper toute partie excessive des cordons de fixation.** Des cordons trop longs, en rotation libre, pourraient se prendre dans les doigts ou dans la pièce à travailler.

## Consignes spécifiques de sécurité propres au brossage métallique

- a) **Prendre des précautions, car des fibres métalliques sont éjectées par la brosse pendant le cours normal des opérations. Ne pas surcharger les fils en appliquant une pression excessive sur la brosse.** Les fibres métalliques peuvent facilement pénétrer les vêtements légers et/ou la peau.
- b) **Si l'utilisation d'un carter est recommandée pour le brossage métallique, protéger la brosse métallique circulaire ou la brosse de toute interférence avec ce carter.** Le diamètre des brosses métalliques circulaires ou des brosses, peut se dilater. C'est dû au travail et aux forces centrifuges.

## Risques résiduels

En dépit de l'application des normes de sécurité en vigueur et de l'installation de dispositifs de sécurité, certains risques résiduels sont inévitables. Il s'agit de :

- Diminution de l'acuité auditive ;
- Risques de dommages corporels dus à des projections de particules.
- Risques de brûlures provoquées par des accessoires ayant surchauffé pendant leur fonctionnement.
- Risques de dommages corporels dus à un usage prolongé.

## Étiquettes sur l'appareil

On trouve les diagrammes suivants sur l'outil :



Lire la notice d'instructions avant toute utilisation.



Porter un dispositif de protection auditive.



Porter un dispositif de protection oculaire.

## EMPLACEMENT DE LA DATE CODÉE DE FABRICATION (FIG. 1)

La date codée de fabrication (f), qui comprend aussi l'année de fabrication, est imprimée sur le boîtier.

Exemple :

2011 XX XX

Année de fabrication

## Contenu de l'emballage

Ce carton comprend :

- 1 Meule à rectifier les matrices DW887N
  - 2 Clés plates
  - 1 Notice d'instructions
- Vérifier que l'appareil et ses pièces ou accessoires n'ont pas été endommagés lors du transport.
  - Prendre le temps de lire attentivement et comprendre cette notice d'instructions avant toute utilisation de l'appareil.

## Description (fig. 1, 2)



**AVERTISSEMENT** : ne jamais modifier l'outil ni aucun de ses composants, car cela pose des risques de dommages corporels ou matériels.

- a. Levier de verrouillage
- b. Interrupteur à gâchette
- c. Arbre
- d. Pince
- e. Écrou de la pince

## USAGE PRÉVU

Votre meuleuse à rectifier les matrices a été conçue pour les applications de meulage professionnelles. L'outil peut être utilisé avec la gamme complète d'outils de meulage commerciaux avec un diamètre maximum de 38 mm et une vitesse approuvée de 25 000/min.

**NE PAS** utiliser de fraises de meulage différentes que celles spécifiées dans les données techniques.

**NE PAS** utiliser ces outils en milieu ambiant humide ou en présence de liquides ou de gaz inflammables.

Ces meuleuses à rectifier les matrices sont des outils électriques professionnels. **NE PAS** le laisser à la portée des enfants. Une supervision est nécessaire auprès de tout utilisateur non expérimenté.

- Ce produit n'est pas prévu pour être utilisé par des personnes (y compris les enfants) dont les capacités physiques, sensorielles ou mentales

## FRANÇAIS

sont réduites ou qui manquent d'expérience ou d'aptitudes, sauf si ces personnes sont surveillées par une autre personne responsable de leur sécurité. Ne jamais laisser les enfants seuls avec ce produit.

### Sécurité électrique

Le moteur électrique a été conçu pour fonctionner sur une tension unique. Vérifier systématiquement que la tension du secteur correspond bien à la tension indiquée sur la plaque signalétique.



Votre outil DEWALT à double isolation est conforme à la norme EN 60745 ; un branchement à la terre n'est donc pas nécessaire.



**AVERTISSEMENT :** les appareils à 120 V doivent être utilisés avec des transformateurs d'isolation à l'épreuve des pannes doté d'un écran de terre entre l'enroulement primaire et secondaire.

Si le cordon fourni est endommagé, le remplacer par un cordon spécialement conçu à cet effet, et disponible auprès du service après-vente DEWALT.



Toujours utiliser la fiche prescrite lors du remplacement du câble d'alimentation.

Type 11 pour la classe II (isolation double) – outils

Type 12 pour la classe I (Conducteur de terre) – outils



En cas d'utilisation à l'extérieur, connecter les outils portatifs à un disjoncteur FI.

### Remplacement de la fiche d'alimentation (Moyen-Orient et Afrique)

Si une nouvelle fiche d'alimentation doit être montée :

- Mettre soigneusement au rebut l'ancienne fiche.
- Raccorder le fil marron à la borne de phase dans la fiche.
- Raccorder le fil bleu à la borne de neutre.



**AVERTISSEMENT :** aucun branchement ne doit être fait à la borne de terre.

Suivez les instructions de montage fournies avec des fiches de bonne qualité. Fusible recommandé : 13 A.

### Utilisation d'une rallonge

Si une rallonge s'avère nécessaire, utiliser une rallonge homologuée et compatible avec la tension nominale de cet outil (se reporter à la section **Caractéristiques techniques**). La section minimale du conducteur est de 1 mm<sup>2</sup> pour une longueur maximale de 30 m.

En cas d'utilisation d'un dévidoir, dérouler systématiquement le câble sur toute sa longueur.

### MONTAGE ET RÉGLAGES



**AVERTISSEMENT :** pour réduire les risques de blessures, arrêtez l'appareil et débranchez-le de la source d'alimentation avant d'installer ou de retirer des accessoires, avant de régler ou de changer la configuration ou lors du marquage de repères. Assurez-vous que l'interrupteur est en position d'arrêt. Un démarrage accidentel peut provoquer des blessures.

### Interrupteurs



**AVERTISSEMENT :** avant de brancher l'outil à une source d'alimentation, enfoncez et relâchez l'interrupteur une fois sans enfoncer le bouton de verrouillage pour vérifier que l'interrupteur est en position d'arrêt. Enfoncez et relâchez l'interrupteur comme décrit après toute interruption de l'alimentation de l'outil (par ex. activation d'un disjoncteur de défaut de terre, déclenchement d'un coupe-circuit, débranchement accidentel ou panne de courant). Si l'interrupteur est verrouillé, l'outil pourrait démarrer accidentellement lorsqu'il est rebranché.



**AVERTISSEMENT :** saisir l'outil fermement des deux mains pour garder le contrôle de l'outil au démarrage et pendant son utilisation, et ce, jusqu'à arrêt complet de la meule ou de l'accessoire. Avant de poser l'outil, s'assurer que la meule s'est complètement arrêtée de tourner.



**AVERTISSEMENT :** pour réduire tout mouvement inattendu de l'outil, ne pas arrêter ou démarrer l'outil lorsqu'il est en contact avec une surface quelconque. Laisser la meuleuse à disque tourner à plein régime avant de la mettre en contact avec la surface à travailler.

Retirer l'outil de la pièce à travailler avant de l'arrêter.

### INTERRUPTEUR À GÂCHETTE (FIG. 1)

Le levier de verrouillage (a), situé sur l'interrupteur à gâchette, est un dispositif de sécurité qui empêche l'activation accidentelle de la meuleuse.

Pour mettre l'outil en marche, poussez le levier de verrouillage (a) vers l'arrière de l'outil, puis appuyez sur l'interrupteur à gâchette (b). L'outil fonctionnera tant que l'interrupteur restera appuyé. Pour arrêter l'outil, relâchez l'interrupteur à gâchette.



**AVERTISSEMENT** : ne pas désactiver le levier de verrouillage. Si le levier de verrouillage était désactivé, l'outil pourrait démarrer accidentellement alors qu'il est posé..

## FONCTIONNEMENT

### Consignes d'utilisation



**AVERTISSEMENT** : respecter systématiquement les consignes de sécurité et les normes en vigueur.

### Montage des meules (fig. 2)

1. Tenez l'arbre (c) à l'aide de la clé plate de fournie.
2. Desserrez l'écrou de la pince (e) et le tournant dans le sens inverse des aiguilles d'une montre.
3. Introduisez la tige de l'accessoire dans la pince (d).
4. Serrez fermement la pince à l'aide de la clé plate fournie.

Pour enlever l'accessoire, procédez en ordre inverse.



**AVERTISSEMENT** : Saisir l'outil fermement des deux mains pour garder le contrôle de l'outil au démarrage et pendant son utilisation, et ce, jusqu'à arrêt complet de la meule ou de l'accessoire. Avant de poser l'outil, s'assurer que la meule s'est complètement arrêtée de tourner.

Placez l'ouvrage dans un étau ou fixez-le solidement. Utilisez un masque pour couvrir votre nez et votre bouche si l'opération génère de la poussière. N'abusez pas de la meule. Ne bloquez pas la meule dans l'ouvrage et ne forcez pas trop dessus. Meulez seulement sur la face de la meule sauf si vous disposez d'une meule spécialement conçue pour permettre le meulage sur le côté de la meule.

### Position correcte des mains (fig. 3)



**AVERTISSEMENT** : pour réduire tout risque de dommages corporels graves, adopter **SYSTÉMATIQUEMENT** la position des mains illustrée.



**AVERTISSEMENT** : pour réduire tout risque de dommages corporels graves, maintenir fermement et **SYSTÉMATIQUEMENT** l'outil pour anticiper toute réaction soudaine de sa part.

La position correcte des mains requiert une main sur le corps, et l'autre sur le col de la meuleuse à rectifier les matrices, comme illustré en figure 3.

## MAINTENANCE

Cet outil DEWALT a été conçu pour fonctionner longtemps avec un minimum de maintenance. Le fonctionnement continu et satisfaisant de l'outil dépend d'un entretien adéquat et d'un nettoyage régulier.



**AVERTISSEMENT** : pour réduire les risques de blessures, arrêtez l'appareil et débranchez-le de la source d'alimentation avant d'installer ou de retirer des accessoires, avant de régler ou de changer la configuration ou lors du marquage de repères. Assurez-vous que l'interrupteur est en position d'arrêt. Un démarrage accidentel peut provoquer des blessures.

### Charbons du moteur

Maintenir les brosses propres et coulissant librement dans leurs guides. Les brosses à charbon possèdent différents symboles imprimés et si la brosse est usée jusqu'à la ligne la plus proche du ressort, elle doit être remplacée. De nouveaux assemblages de brosse sont disponibles auprès de votre centre de service local.



### Lubrification

Votre outil électrique ne requiert aucune lubrification additionnelle.



## Entretien



**AVERTISSEMENT** : éliminer poussière et saleté du boîtier principal à l'aide d'air comprimé chaque fois que les orifices d'aération semblent s'encrasser. Porter systématiquement des lunettes de protection et un masque anti-poussières homologués au cours de cette procédure.



**AVERTISSEMENT** : Il est recommandé d'utiliser un dispositif à courant résiduel (RFD) pour protéger ultérieurement l'utilisateur contre les chocs électriques liés à l'accumulation de particules conductrices. Si l'outil est désactivé par le RFD, débranchez l'outil, vérifiez et nettoyez l'outil avant de réinitialiser le RFD.



**AVERTISSEMENT** : ne jamais utiliser de solvants ou tout autre produit chimique décapant pour nettoyer les parties non métalliques de l'outil. Ces produits chimiques pourraient en attaquer les matériaux utilisés. Utiliser un chiffon humidifié avec de l'eau et un savon doux. Protéger l'outil de tout liquide et n'immerger aucune de ses pièces dans aucun liquide.

## Accessoires en option



**AVERTISSEMENT** : comme les accessoires autres que ceux offerts par DEWALT n'ont pas été testés avec ce produit, leur utilisation avec cet appareil pourrait être dangereuse. Pour réduire tout risque de dommages corporels, seuls des accessoires DEWALT recommandés doivent être utilisés avec cet appareil.



**AVERTISSEMENT** : pour réduire le risque de blessures, utilisez **TOUJOURS** une protection oculaire lors du meulage.

## ACCESSOIRES POUR MEULEUSES À RECTIFIER LES MATRICES

Pierres et meules sur tige

Veuillez consulter votre revendeur pour plus d'informations sur les accessoires appropriés.

## Protection de l'environnement



Collecte sélective. Ne pas jeter ce produit avec les ordures ménagères.



En fin de durée de vie ou d'utilité de votre produit DEWALT, ne pas le jeter avec les ordures ménagères, mais dans les conteneurs de collecte sélective.



La collecte sélective des produits et emballages usagés permet de recycler et réutiliser leurs matériaux. La réutilisation de matériaux recyclés aide à protéger l'environnement contre la pollution et à réduire la demande en matière première.

Selon les réglementations locales, il peut être offert : service de collecte sélective individuel des produits électriques, ou déchetterie municipale ou collecte sur les lieux d'achat des produits neufs.

DEWALT dispose d'installations pour la collecte et le recyclage des produits DEWALT en fin de vie. Pour profiter de ce service, veuillez rapporter votre produit auprès d'un centre de réparation agréé qui le recyclera en notre nom.

Pour connaître l'adresse d'un centre de réparation agréé près de chez vous, veuillez contacter votre distributeur DEWALT local à l'adresse indiquée dans cette notice d'instructions, ou consulter la liste des centres de réparation agréés DEWALT, l'éventail de notre SAV et tout renseignement complémentaire sur Internet à l'adresse : [www.2helpU.com](http://www.2helpU.com).

## الجلاخة DW887N

### تهانينا!

لاختيارك أداة من منتجات DeWALT. سنوات الخبرة التي تمتد خلالها عمليات تطوير وابتكار المنتجات تجعل DeWALT من أكثر الشركاء الذين يمكن الاعتماد عليهم بالنسبة لمستخدمي الأدوات الآلية المتقدمة.

### البيانات الفنية

DW887N			
الجهد الكهربائي	تيار ثابت AC	شنته 220 / 120	فولت
خرج الطاقة	وات	400	400
سرعة بدون حمل	دقيقة	25000	25000
قطر العجلة	ملم	38	38
عمود الدوران		M14	M14
حجم الطوق المعدني	ملم	6	6
الوزن	كجم	1.7	1.7
$L_{PA}$ (ضغط صوت)	ديسيبل (أمبير)	81	81
$K_{PA}$ (تشوش)			
ضغط الصوت	ديسيبل (أمبير)	3	3
$L_{WA}$ (طاقة الصوت)	ديسيبل (أمبير)	92	92
$K_{PA}$ (طاقة الصوت)			
غير مؤكد	ديسيبل (أمبير)	3.2	3.2

القيم الكلية للاهتزاز (مجموع المتجه السداسي) يتم تحديدها وفقاً للمعيار EN 60745:

قيمة انبعاث الاهتزاز	$a_h$	$= a_h$	$m/s^2$
التشوش K	2.5	2.5	م/ث <sup>2</sup>

تم قياس مستوى إطلاق الاهتزاز المقدم في صفحة المعلومات هذه طبقاً للاختبار القياسي الموحد وفقاً للمعيار EN 60745 وقد يستخدم لمقارنة إحدى الأدوات بأداة أخرى. وقد يستخدم كتقييم تمهيدي للتعرض.

**تحذير:** يمثل مستوى إصدار الاهتزاز الموضح التطبيقات الرئيسية للأداة. ومع ذلك، إذا كان يتم استخدام الأداة لتطبيقات مختلفة، مع ملحقات مختلفة أو تمت صيانتها بشكل سيئ، فقد يتفاوت انبعاث الاهتزاز. قد يؤدي ذلك إلى زيادة مستوى التعرض بشكل كبير خلال فترة التشغيل الكلية.

يجب كذلك على تقييم مستوى التعرض بالنسبة للاهتزاز أن يأخذ في الحسبان الأوقات التي يتم خلالها إيقاف تشغيل الأداة أو وقت تشغيلها ولكن ليس الوقت الفعلي لأداء المهمة. قد يؤدي ذلك إلى خفض مستوى التعرض بشكل كبير خلال فترة التشغيل الكلية.

تعرف على إجراءات الأمان الإضافية لحماية المشغل من تأثيرات الاهتزاز مثل: إجراء صيانة الأداة

والمحقات، والحفاظ على دفع يديك، وتنظيم أنماط عملك.

### التعريفات: تعليمات الأمان

تصف التعريفات التالية مستوى أهمية كل كلمة تحذيرية. يرجى قراءة الدليل والانتباه لتلك الرموز.

**خطر:** تشير هذه الكلمة إلى وجود حالة خطر وشيكة، وإذا لم يتم تفاديها، فقد تؤدي إلى الوفاة أو الإصابة الجسيمة.

**تحذير:** تشير هذه الكلمة إلى وجود حالة خطر محتملة، وإذا لم يتم تفاديها، فقد تؤدي إلى الوفاة أو الإصابة بالبلغة.

**تنبيه:** تشير هذه الكلمة إلى وجود حالة خطر محتملة، وإذا لم يتم تفاديها، فقد تؤدي إلى إصابة بسيطة أو متوسطة.

**ملاحظة:** تشير إلى ممارسة غير متعلقة بإصابة شخصية وبالتالي، في حال عدم تفاديها، فقد تؤدي إلى ضرر يلحق بالملكات.

يشير هذا الرمز إلى خطر حدوث صدمة كهربائية.

يشير هذا الرمز إلى خطر نشوب حريق.

**تحذير:** لتقليل خطر حدوث الإصابات، تفضل بقراءة دليل التعليمات.

### تحذيرات الأمان العامة للأدوات الكهربائية

**تحذير! تفضل بقراءة جميع تحذيرات الأمان وجميع التعليمات.** عدم الالتزام باتباع هذه التحذيرات والتعليمات قد يؤدي إلى حدوث صدمة كهربائية، و/أو نشوب حريق، و/أو إصابة جسيمة.

**احتفظ بجميع التحذيرات والتعليمات من أجل الرجوع إليها في المستقبل**

يشير المصطلح "أداة كهربائية" في التحذيرات إلى الأداة الكهربائية التي تعمل بالطاقة الكهربائية (مزودة بسلك كهربائي) أو الأداة الكهربائية التي تعمل بالبطارية (غير مزودة بسلك كهربائي).

#### (1) أمان منطقة العمل

- (أ) **حافظ على منطقة العمل نظيفة ومزودة بإضاءة جيدة.** حيث أن المناطق المتكدسة بغير نظام أو المظلمة تؤدي إلى وقوع الحوادث.
- (ب) **لا تقم بتشغيل الأدوات الكهربائية في الأجواء المتفجرة،** كأن يوجد بالمكان سوائل أو غازات أو غبار قابل للاشتعال. إذ قد تؤدي الأدوات الكهربائية التي تحدث شرارات في اشتعال الأثرية أو الأبخرة.
- (ج) **ابتعد الأطفال والأشخاص عن الأداة الكهربائية المشغلة.** فقد يؤدي تشتت الانتباه إلى فقدان سيطرتك.

- 2) السلامة الكهربائية**
- (أ) يجب أن يتوافق قاييس الأداة الكهربائية مع مصدر التيار الكهربائي. لا تقم مطلقاً بإجراء تعديل على القاييس بأي طريقة. لا تستخدم قاييس المحول مع الأدوات الكهربائية الموزعة (تم تاريضها). حيث ستقل المقاييس غير المعدلة ومصادر التيار الكهربائي المتطابقة من خطر حدوث صعقة كهربائية.
- (ب) تجنب أي تلامس جسدي مع الأسطح الموزعة أو المثبتة بالأرض كالألبيبي، والمشعات، والمواقف والتلجالات. حيث يوجد خطر متزايد من حدوث صعقة كهربائية إذا كان جسدك موزعاً أو ثابتاً على الأرض.
- (ج) لا تعرض الأدوات الكهربائية للأمطار أو البلى. إذ سيؤدي الماء الذي يدخل الأداة الكهربائية إلى زيادة خطر حدوث صعقة كهربائية.
- (د) لا تسمي استعمال السلك. لا تستخدم مطلقاً السلك من أجل حمل الأشياء أو سحبها أو لنزع قاييس الأداة الكهربائية. أبعاد السلك عن الحرارة أو الزيوت أو الحواف الحادة أو الأجزاء المتحركة. إذ تزيد الأسلاك التالفة أو المتشابكة من خطر حدوث صعقة كهربائية.
- (هـ) عند تشغيل الأداة الكهربائية خارج المنزل، استخدم سلك استئطلة ملائم للاستخدام الخارجي. حيث أن استخدام السلك الملائم للاستخدام الخارجي يقلل من خطر حدوث الصعقة الكهربائية.
- (و) إذا كان لا مفر من تشغيل الأداة الكهربائية في أحد الأماكن الرطبة، فاستخدم مصدر إمداد محمي متمثل في جهاز التيار المتبقي (RCD). حيث أن استخدام جهاز التيار المتبقي يقلل من خطر حدوث الصعقة الكهربائية.
- 3) السلامة الشخصية**
- (أ) حافظ على انتباهك وراقب ما تقوم بفعله واستخدم حواسك العامة عند تشغيل الأداة الكهربائية. لا تستخدم الأداة الكهربائية عندما تكون متعباً أو واقع تحت تأثير المخدرات أو الكحول أو الأدوية. فقد ينجم عن أي لحظة سهو أثناء تشغيل الأدوات الكهربائية وقوع إصابة شخصية.
- (ب) استخدم معدات الوقاية الشخصية. قم دوماً بارتداء واقي العينين. إذ أن استخدام معدات الوقاية مثل كامات الأتربة، وأحذية الأمان المانعة للانزلاق، والخوذة الصلبة، أو واقي الأذن للحالات ذات الصلة سيقلل من الإصابات الشخصية.
- (ج) تجنب التشغيل العرضي. تأكد من أن المفتاح في وضع إيقاف التشغيل قبل التوصيل بمصدر الطاقة، و/ أو مجموعة البطارية، أو التقاط أو حمل الأداة حيث قد يؤدي حمل الأدوات الكهربائية أثناء وجود إصبعك على المفتاح أو إمداد الأدوات الكهربائية التي يكون مفتاحها بوضع التشغيل بالكهرباء إلى وقوع الحوادث.
- (د) قم بإخراج أي مفتاح ضبط أو مفتاح ربط قبل تشغيل الأداة الكهربائية. فقد يؤدي ترك مفتاح الربط أو المفتاح بالجزء الدوار بالأداة الكهربائية إلى حدوث إصابة شخصية.
- (هـ) تجنب مد يدك بعيداً بالجهاز. حافظ على ثبات موضع قدمك والتوازن طيلة الوقت. إذ يساعدك ذلك على التحكم بشكل أفضل في الأداة الكهربائية في المواقف الفجائية.
- (و) ارتد ملابسك بطريقة صحيحة. لا تقم بارتداء ملابس أو مجوهرات فضفاضة. أبعاد الشعر والملابس والقفازات عن الأجزاء المتحركة. فقد تنحسر الملابس أو المجوهرات الفضفاضة أو الشعر الطويل في الأجزاء المتحركة.
- (ز) في حال توفير الأجهزة للتوصيل بوسائل استخلاص وتجميع الأتربة، فتأكد من توصيلها واستخدامها بطريقة صحيحة. حيث أن استخدام تجميع الأتربة قد يؤدي إلى تقليل المخاطر المتعلقة بالأتربة.
- 4) استخدام الأداة الكهربائية والعناية بها**
- (أ) لا تتعامل بالقوة مع الأداة الكهربائية. استخدم الأداة الكهربائية الملائمة لغرض الاستخدام الخاص بك. حيث ستنتج الأداة الكهربائية الملائمة المهمة بشكل أفضل وأكثر أماناً عند المعدل الذي صممت من أجله.
- (ب) لا تستخدم الأداة الكهربائية إذا كان المفتاح لا يتبدل بين وضعي التشغيل وإيقاف التشغيل. حيث تشكل أي أداة كهربائية لا يمكن التحكم فيها بواسطة المفتاح خطورة ويجب إصلاحها.
- (ج) قم بفصل القاييس من مصدر الطاقة و/ أو مجموعة البطارية من الأداة الكهربائية قبل إجراء أي عمليات ضبط أو تغيير ملحقات أو تخزين الأدوات الكهربائية. إذ تقلل مثل إجراءات السلامة الوقائية هذه من خطر تشغيل الأداة الكهربائية بشكل فجائي.
- (د) قم بتخزين أدوات الطاقة المتوقفة عن العمل بعيداً عن متناول الأطفال ولا تدع الأشخاص غير الملمين بالأداة الكهربائية أو بهذه التعليمات يقومون بتشغيل الأداة الكهربائية. إذ تعد الأدوات الكهربائية خطيرة في أيدي المستخدمين غير المدربين على استخدامها.
- (هـ) قم بصيانة الأدوات الكهربائية. افحص بحثاً عن أي محاذرة غير صحيحة أو التصاق للأجزاء المتحركة، أو كسر بالأجزاء وأي حالات أخرى قد تؤثر على تشغيل الأداة الكهربائية. وفي حال وجود تلف، قم بإصلاح الأداة الكهربائية قبل الاستخدام. حيث يرجع سبب وقوع العديد من الحوادث إلى الصيانة السيئة للأدوات الكهربائية.
- (و) حافظ على أدوات القطع حادة ونظيفة. حيث أن أدوات القطع التي تتم صيانتها بطريقة صحيحة ومزودة بحواف قطع حادة تتعرض بشكل أقل للتصاق وبسهل التحكم بها على نحو أكبر.
- (ز) استخدم الأداة الكهربائية والملحقات ولقم الأداة وما شابه ذلك وفقاً لهذه التعليمات مع الأخذ في الاعتبار ظروف التشغيل والعمل المراد تنفيذه. إذ أن استخدام الأداة الكهربائية لعمليات مختلفة عن تلك العمليات المخصصة لها قد يؤدي إلى حالة خطيرة.
- 5) الخدمة**
- (أ) قم بصيانة الأداة الكهربائية الخاصة بك على يد فني إصلاح مؤهل وذلك من خلال استخدام أجزاء بديلة متطابقة فقط. حيث سيضمن ذلك الحفاظ على أمان الأداة الكهربائية.
- قواعد الأمان المحددة الإضافية**
- تعليمات الأمان الخاصة بجميع عمليات التشغيل**
- (أ) الأداة الكهربائية هذه معدة للعمل كجلاخة. اقرأ جميع تحذيرات الأمان والتعليمات والإيضاحات والمواصفات الواردة مع هذه الأداة الكهربائية. إذ قد يؤدي الفشل في اتباع جميع الإرشادات قد يؤدي إلى حدوث صعقة كهربائية و/أو نشوب حريق و/أو وقوع إصابة جسيمة.
- (ب) لا تستخدم أية ملحقات غير مخصصة وغير موصى بها تحديداً من قبل مصنع الأداة. فلا تعني إمكانية توصيل الملحقات بالأداة الكهربائية أنها تضمن التشغيل الآمن. (لا يُسمح بملحقات مزودة بأدوات قطع خاصة!)
- (ج) يجب أن تكون السرعة المقدره للملحقة مساوية على الأقل للحد الأقصى للسرعة المحددة بالأداة الكهربائية. إذ قد تتحطم أو تتطاير أجزاء الملحقات التي تعمل بسرعة أكبر من سرعتها المقدره.
- (د) يجب أن يكون القطر الخارجي وسلك الملحق الخاص بك ضمن تصنيف قدرة الأداة الكهربائية. لا يمكن تجنب الملحقات ذات الأحجام غير الصحيحة أو التحكم فيها بشكل كافٍ.

ه) يجب أن يتناسب حجم غطاء العجلات أو الحواف أو وسائد الدعم أو أية ملحقات أخرى مع عمود دوران الأداة الكهربائية بدقة. حيث أن الملحقات المزودة بفتحات في الغطاء لا تتطابق مع أجهزة تركيب الأداة الكهربائية ستفقد توازنها وتهتز بشدة وقد تؤدي إلى فقدان السيطرة.

و) لا تستخدم ملحق تالف. قبل كل استخدام، افحص الملحقات مثل الاسطوانة الكاشطة بحثاً عن الشروخ والتصدعات، ووسائد الدعم بحثاً عن التصدعات أو التمزق أو التلف الزائد، والفرشاة السلكية بحثاً عن الأسلاك السائبة أو المتكسرة. إذا سقطت الأداة الكهربائية أو أحد الملحقات، افحص بحثاً عن الأضرار التي لحقت به أو قم بتركيب ملحق سليم. بعد القيام بفحص وتركيب الملحق، ابتعد أنت والواقفين بجوارك عن مستوى دوران الملحق وقم بتشغيل الأداة الكهربائية لأقصى حد للسرعة العادية لمدة دقيقة واحدة. ومن الطبيعي تحطم الملحقات التالفة أثناء وقت هذا الاختبار.

ز) قم بإرتداء معدات الوقاية الشخصية. حيث أن ارتداء حامي الوجه أو النظارات الواقية أو النظارات الزجاجية الواقية يتوقف على استخدام الجهاز. ووفق ما تقتضيه الحاجة، قم بإرتداء كمامات الأتربة وواقيات الأذن والقفازات ومعطف العمل الذي يمكنه حمايتك من شظايا الجليخ الصغيرة أو شظايا قطع العمل. يجب أن يكون واقى العين قادراً على الوقاية ضد الشظايا المتطايرة الناجمة عن العمليات المختلفة. يجب أن تكون كمامات الأتربة أو جهاز التنفس قادراً على ترشيح الجسيمات الناجمة عن عملك. قد يتسبب التعرض لفترة طويلة لضوضاء عالية الكثافة في فقدان السمع.

ح) أبعد الواقفين بجوارك عن منطقة العمل بمقدار مسافة آمنة. يجب على أي فرد يدخل منطقة العمل أن يرتدي معدات الوقاية الشخصية. إذ قد تتطاير شظايا الجزء الذي يجري العمل به أو الملحقات التالفة وتحدث إصابات خارج منطقة العمل الفعلية.

ط) أمسك الأداة الكهربائية بواسطة أسطح الإمساك المعزولة فقط عند تنفيذ العملية، إذ قد يتلامس ملحق القطع مع الأسلاك الخفية أو السلك الخاص بها. ملحق القطع المتلامس مع السلك "النشط" قد يؤدي إلى "تنشيط" الأجزاء المعدنية المكشوفة من الأداة الكهربائية وصعق المشغل.

ي) أبعد السلك عن ملحق الدوران. إذ في حالة فقدان السيطرة، قد ينقطع السلك أو يتمزق وقد تُجذب يدك أو ذراعك في اتجاه ملحق الدوران.

ك) لا تقم أبداً بوضع الأداة الكهربائية على الأرض حتى يتوقف الملحق عن العمل تماماً. فقد يلامس ملحق الدوران السطح ويجذب الأداة الكهربائية بعيداً عن سيطرتك.

ل) لا تقم بتشغيل الأداة الكهربائية أثناء حملك لها على جانبك. فقد يمزق التلامس العرضي بملحق الدوران ملابسك جاذباً الملحق إلى جسديك.

م) نظف المنافذ الهوائية للأداة الكهربائية بانتظام. حيث أن مروحة المحرك ستجذب التراب إلى داخل التجويف وقد يتسبب التراكم الزائد لمسحوق المعادن في وقوع مخاطر كهربائية.

ن) لا تشغل الأداة الكهربائية بالقرب من المواد القابلة للاشتعال. إذ قد تتسبب الشرارات في إشعال هذه المواد.

س) لا تستخدم قطب أية ملحقات تحتاج إلى مبردات سائلة. فقد يؤدي استخدام المياه أو أية مبردات سائلة أخرى إلى صدمة أو صدمة كهربائية.

## تعليمات الأمان الإضافية لجميع عمليات التشغيل

### الأسباب وإجراءات الوقاية الخاصة بالمشغل ضد الارتداد

الارتداد هو رد فعل مفاجئ للأسطوانة الدوران أو وسادة الدعم أو الفرشاة أو أي ملحق آخر مضغوط عليه أو مشقوق. يسبب الضغط أو القطع توفراً سريعاً للأسطوانة الدوران والتي بدورها تجبر الأداة الكهربائية غير المتحكم بها أن تتجه عكس اتجاه دوران الملحق عند نقطة الالتصاق.

على سبيل المثال، إذا لحق بالاسطوانة الكاشطة شروخ أو ضغط عليها من خلال القطعة التي يتم العمل عليها، فإن حافة الاسطوانة التي تدخل في نقطة الضغط يمكن أن تحفر في سطح المادة دافعةً الاسطوانة إلى الخروج أو الارتداد. قد تنفخ الاسطوانة نحو المشغل أو بعيداً عنه وفقاً لجهة حركة الاسطوانة عند نقطة الالتصاق. قد تنكسر الاسطوانات الكاشطة في هذه الظروف.

الارتداد ينجم عن سوء استخدام الأداة الكهربائية و/أو بسبب إجراءات التشغيل أو الظروف غير الملائمة ويمكن تفاديها عن طريق اتخاذ إجراءات الوقاية كما هو مبين أدناه.

أ) أمسك الأداة الكهربائية بإحكام واجعل جسديك وذراعك في موضع يسمح لك بمقاومة قوى الارتداد. استخدم دواماً المفويض الإضافي، إن وجد، لأقصى درجات التحكم في الارتداد أو ردة فعل العزم أثناء بدء التشغيل. يمكن للمشغل أن يتحكم في قوى الارتداد أو ردة فعل العزم إذا ما اتخذت الاحتياطات الملائمة.

ب) لا تضع يدك أبداً بالقرب من ملحق الدوران. فقد يرتد الملحق على يدك.

ج) لا تقف بجسديك في مكان ستتحرك فيه الأداة إذا حدث ارتداد. إذ سيضعف الارتداد الأداة في عكس اتجاه حركة الاسطوانة عند موضع القطع.

د) خذ حذرِك بعناية عند التعامل مع الأركان والحواف الحادة، إلى غير ذلك، وتجنب الضغط على الملحق وتمزيقه. تميل الأركان والحواف الحادة إلى الضغط على ملحق الدوران والتسبب في فقد التحكم أو حدوث ارتداد.

هـ) لا ترفق المنشار المسنن المزود بنصل نحت الخشب أو نصل المنشار المسنن. تُحدث هذه الأنصال ارتدادات متكررة وفقدان للسيطرة.

### تحذيرات الأمان الخاصة بعمليات الجليخ والقطع الكاشط

أ) استخدم أنواع الاسطوانات الموصى بها لأداتك الكهربائية فقط والواقى الخاص المصمم للأسطوانة المحددة. تتعزز الوقاية من الاسطوانات التي لم تصمم للأداة الكهربائية من أجلها كما أنها غير آمنة.

ب) يجب استخدام الاسطوانات فقط من أجل التطبيقات الموصى بها. على سبيل المثال: لا تقم بالجليخ بجنب أسطوانة القطع. الاسطوانات الكاشطة القاطعة مصممة لأجل الجليخ الطرقي، إذ قد تتسبب القوى الجانبية الواقعة على هذه الاسطوانات في تحطيمها.

## تحذيرات الأمان الخاصة بعمليات التنظيف بالفرشاة السلكية

- (أ) كن على دراية أن الشعر الخشن يتساقط من الفرشاة حتى أثناء الاستخدام العادي. لا تضغط بقوة على الأسلاك من خلال تحميل الفرشاة ضغطاً مفرطاً. يمكن للشعر الخشن أن يخترق بسهولة الملابس الخفيفة و/أو الجلد.
- (ب) إذا كان استخدام وافي موصى به لأعمال التنظيف بالفرشاة السلكية، فلا تسمح بأي تداخل لاسطوانة الأسلاك أو الفرشاة مع الوافي. قد تتوسع اسطوانة الأسلاك أو الفرشاة في القطر نظراً لاستخدامها في العمل وقوى الطرد المركزي.

### المخاطر المتبقية

- على الرغم من تطبيق تعليمات السلامة ذات الصلة والتزود بأجهزة الأمان، فلا يمكن تفادي بعض المخاطر المتبقية المحددة. وتشمل هذه المخاطر ما يلي:
- صعق السمع.
  - خطر التعرض للإصابة الشخصية بسبب الجسيمات المتطايرة.
  - خطر التعرض للحروق بسبب سخونة الملحقات أثناء التشغيل.
  - خطر التعرض للإصابة الشخصية بسبب الاستخدام المطول.

### العلامات على الأداة

الصور التالية موضحة على الأداة:

اقرأ دليل التعليمات قبل الاستخدام.



قم بإرتداء وافي الأذن.



قم بإرتداء وافي العينين.



### وضع كود التاريخ (شكل 1)

تم طبع كود التاريخ (f) والذي يشتمل أيضاً على سنة التصنيع داخل الصندوق.  
مثال:

XX XX 2011  
سنة التصنيع

### محتويات العبوة

تحتوي العبوة على:

- 1 DW887N 1 جلاخة الزوايا الضيقة والأماكن صعبة الوصول
- 2 مفاتيح البراغى
- 1 دليل التعليمات

- افحص بحثاً عن التلف بالأداة أو الأجزاء أو الملحقات والذي قد يقع أثناء النقل.
- استغرق الوقت اللازم لقراءة هذا الدليل وفهمه جيداً قبل التشغيل.

(ج) استخدم دوماً حواف بارزة غير تالفة للاسطوانة ذات حجم وشكل ملائمين لاسطوانتك المحددة إذ تدعم الحواف البارزة الملائمة الاسطوانة ومن ثم تقلل احتمال تكسر الاسطوانة. قد تختلف الحواف البارزة الخاصة باسطوانات القطع عن الحواف البارزة لاسطوانات الجرح.

(د) لا تستخدم اسطوانات بالية من أدوات كهربائية أكبر حجماً. إذ لا تتناسب الاسطوانة المصممة لأداة كهربائية أكبر سرعة الأداة الأصغر حيث قد تتحطم.

## تحذيرات أمان إضافية خاصة بعمليات القطع الكاشط

- (أ) لا تقم "بالضغط بقوة" على اسطوانة القطع أو تحملها ضغطاً مفرطاً. لا تحاول القطع بعمق مفرط. إذ أن الضغط بقوة على الاسطوانة من شأنه أن يزيد الحمل والقابلية للتواء أو التصاق الاسطوانة أثناء عملية القطع، بالإضافة إلى زيادة إمكانية الارتداد أو تكسر الاسطوانة.
- (ب) لا تقف بجسديك في محاذاة اسطوانة الدوران أو خلفها. عندما تدور الاسطوانة بعيداً عن جسديك، في مرحلة العمل، فقد يدفع الارتداد المحتمل حدوثه الاسطوانة والأداة الكهربائية نحوك مباشرة.
- (ج) عندما تكون الاسطوانة ملتصقة أو عند إعاقة قطع لأي سبب، أوقف تشغيل الأداة الكهربائية وأحكم إمساك الأداة وامنعها من التحرك لحين توقف الاسطوانة تماماً. لا تحاول مطلقاً نزع اسطوانة القطع من القطع أثناء دوران الاسطوانة والإلا فقد يحدث ارتداد. تحقق من سبب التصاق الاسطوانة واتخذ الإجراءات التصحيحية للتخلص من السبب.

(د) لا تعيد بدء عملية القطع في قطعة العمل. دع الاسطوانة تصل إلى سرعتها القصوى وأعد إدخالها في القطع بحرص. قد تلتصق الاسطوانة أو تندفع أو ترتد إذا أعيد تشغيل الأداة الكهربائية في قطعة العمل.

(هـ) قم بوضع أية ألواح داعمة أو أية قطعة عمل ذات حجم أكبر من المعتاد لتقليل خطر ضغط الاسطوانة أو ارتدادها. تميل قطع العمل الكبيرة إلى الارتخاء تحت ثقل حملها. يجب وضع الدعامات أسفل قطعة العمل بالقرب من خط القطع وبالقرب من حافة قطعة العمل في كلا جانبي الاسطوانة.

(و) اتخذ أقصى درجات الحيطنة عند إجراء "قطع جيبي" في جدران قائمة أو مناطق مصممة أخرى. قد تتسبب الاسطوانة البارزة في قطع أنابيب الغاز أو المياه، أو الأسلاك الكهربائية أو أجسام يمكن أن تحدث ارتداداً.

## تحذيرات الأمان الخاصة بعمليات التنعيم

(أ) لا تستخدم أوراق تنعيم كبيرة الحجم على نحو مفرط. واتباع توصيات المصنع عند اختيار ورقة تنعيم. إذ ينطوي استخدام ورقة تنعيم كبيرة تمتد خارج حدود وسادة التنعيم على مخاطر تمزق، وقد تتسبب في تمزيق القرص أو تلفه أو الارتداد.

## تحذيرات الأمان الخاصة بعمليات التلميع

(أ) لا تدع أي جزء سائب من قطعة التلميع أو خيوطها الملحقة تدور بحرية. أبعد أو شذب أي خيوط ملحقة سائبة. إذ يمكن أن تتسبب الخيوط الملحقة السائبة أو الدائرة في تعقيد أصابعك أو التعلق بقطعة العمل.



## الوصف (شكل 1, 2)

قم باتباع التعليمات الواردة مع القوايس ذات الجودة العالية. المنصهر الموصى باستخدامه: 13 أمبير

## استخدام كابل الاستطالة

إذا استدعت الضرورة استخدام كابل الاستطالة، فاستخدم كابل استطالة معتمد ملانم لدخل طاقة هذه الأداة، (انظر البيانات الفنية). الحد الأدنى لحجم الموصل هو 1 ملم<sup>2</sup>، بينما أقصى طول هو 30 م. عند استخدام بكرة الكابل، قم دومًا بفك الكابل تمامًا.

## عمليات التجميع والضبط

**تحذير:** لخفض خطر التعرض للإصابة، قم بإيقاف تشغيل الوحدة، وفصل الماكينة من مصدر الطاقة قبل تركيب المحلقات وفكها، وقيل ضبط أو تغيير الإعدادات، أو عند إجراء الإصلاحات. تأكد من أن المفتاح في وضع OFF (إيقاف التشغيل). فبدء التشغيل العرضي قد يؤدي إلى حدوث إصابة.



## المفاتيح

**تحذير:** قبل توصيل الأداة بمصدر طاقة، اضغط على المفتاح مرة واحدة ثم حرره دون الضغط على زر تشغيل القفل لضمان أن المفتاح في وضع إيقاف التشغيل. اضغط على المفتاح ثم حرره كما هو موضح أعلاه بعد أي حالات انقطاع في إمداد الطاقة للأداة، مثل تنشيط قاطع الحماية ضد تسرب التيار للأرض وإلغاء قاطعة دائرة، إضافة إلى النزح العرضي للمقيس أو انقطاع الطاقة. إذا كان مفتاح تشغيل القفل قيد العمل، ستعمل الأداة على نحو مفاجئ عند إعادة توصيلها.



**تحذير:** أمسك الأداة بثبات بكلتا يديك للتحكم في الأداة في بدء عملها وأثناء الاستخدام وحتى تتوقف الاسطوانة أو الملحق عن الدوران. تأكد من توقف الاسطوانة تمامًا قبل وضع الأداة على الأرض.



**تحذير:** للحد من الحركات المفاجئية للأداة، لا تقم بتشغيل أو إيقاف تشغيل الأداة في ظل الطرف العصبية. دع الجلاخة تعمل بكامل سرعتها قبل لمس سطح العمل. أبعاد الأداة عن السطح قبل إغلاقها.



## مفتاح المحرك (شكل 1)

يعد ذراع الغلق (أ)، الموجود في مفتاح المحرك، خاصية سلامة تحول دون التنشيط العرضي للجلاخة.

للتشغيل الأداة، قم برفع ذراع الغلق (أ) نحو مؤخرة الأداة، ثم اضغط على مفتاح المحرك (ب). ستعمل الأداة أثناء ضغط المفتاح. أوقف تشغيل الأداة من خلال ترك مفتاح المحرك.

**تحذير:** لا تقم بتعطيل ذراع الغلق. قد تعمل الأداة على نحو مفاجئ عندما يتم إنزالها إذا كان ذراع الغلق معطلاً.



## التشغيل

## تعليمات الاستخدام

**تحذير:** التزم دومًا بتعليمات الأمان واللوائح المعمول بها.



**تحذير:** لا تقم مطلقاً بتعديل الأداة الكهربائية أو أي جزء منها. فقد ينجم عن ذلك التلف أو الإصابة الشخصية.



- ذراع الغلق
- مفتاح المحرك
- عمود الدوران
- الطوق المعدني
- صامولة الطوق المعدني

## الاستخدام المقصود

تم تصميم جلاخة الزوايا الضيقة والأماكن صعبة الوصول من أجل تطبيقات الجلاخ المهنية. يمكن استخدام الأداة مع نطاق كامل لأدوات الجلاخ التجارية بحجم قطر أقصاه 38 ملم وسرعة معتمدة مقدارها 25000/بلدقيقة.

لا تستخدم اسطوانة الجلاخ في غير ما هو مبين في البيانات الفنية.

لا تستخدمه في ظروف البلل أو في وجود سوائل أو غازات قابلة للاشتعال.

تعد جلاخات الزوايا الضيقة والأماكن صعبة الوصول هذه أدوات كهربائية متقدمة. لا تدع الأطفال يلمسون الأداة. يكون الإشراف أمرًا ضروريًا عند استخدام مشغل قليل الخبرة لهذه الأداة.

- هذا المنتج غير مخصص للاستخدام من قبل الأفراد (بما في ذلك الأطفال) الذين يعانون من قصور في القدرات الجسدية أو الحسية أو العقلية، وقلبي الخبرة أو المعرفة أو المهارات ما لم يكونوا تحت إشراف من يتحمل مسؤولية سلامتهم. لا ينبغي أن يُترك الأطفال وحدهم مع هذا المنتج.

## السلامة الكهربائية

تم تصميم المحرك الكهربائي لتحمل جهد كهربائي واحد فقط. تأكد دومًا من أن مصدر إمداد الطاقة مطابق للجهد الكهربائي المبين على لوحة التصنيف.

تم تزويد الأداة الخاصة بك من DEWALT بعازل مزدوج طبقًا لمعيار EN 60745، لذا لا حاجة للسلك الأرضي.



**تحذير:** يجب تشغيل الوحدات بسعة 120 فولت من خلال محول العزل الآمن من التعطل مع حاجز التأريض بين اللغات الرئيسية وغير الرئيسية.



إذا كان سلك إمداد الطاقة تالفًا، فيجب استبداله بسلك آخر معد خصيصًا ومتوفر لدى مراكز خدمة DEWALT.

## استبدال قابس التيار الرئيسي (الشرق الأوسط وأفريقيا)

إذا استدعت الضرورة تركيب قابس تيار رئيسي، فقم بالتالي:

- تخلص بأمان من القابس القديم.
- قم بتوصيل السلك البني بطرف التوصيل النشط في القابس.
- قم بتوصيل السلك الأزرق بطرف التوصيل المحايد.

**تحذير:** لا يتم إجراء أي توصيل بطرف التوصيل الأرضي.





### التنظيف

**تحذير:** قم بنفخ الأتربة والغبار خارج التجويف الرئيسي بواسطة الهواء الجاف عدد أكبر من المرات في حال مشاهدة تجمع الأتربة بداخل المنافذ الهوائية وحولها. قم بإرتداء واقى العين المعتمد وكمامة الأتربة المعتمدة عند تنفيذ هذا الإجراء.



**تحذير:** ينصح باستخدام جهاز التيار المتبقي (RCD) لتوفير المزيد من الحماية للمستخدم من الصدمات الكهربائية الناتجة عن تجمع الجزيئات الموصلة. إذا عطل جهاز التيار المتبقي فقم بفصل الأداة وافحصها ونظفها قبل إعادة تشغيل جهاز التيار المتبقي.



**تحذير:** لا تقم مطلقاً باستخدام منبهات أو أي مواد كيميائية قاسية أخرى لتنظيف الأجزاء غير المعدنية بالأداة. إذ قد تضعف هذه المواد الكيميائية من المواد المستخدمة في هذه الأجزاء. استخدم قطعة قماش مبللة بالماء والصابون الخفيف فقط. لا تسمح قط بدخول أي سائل إلى الأداة، ولا تقم مطلقاً بغمر أي جزء من الأداة في السائل.



### الملحقات الاختيارية

**تحذير:** نظراً لأن الملحقات، بخلاف تلك التي اعتمدها DEWALT، لم تخضع للاختبار مع هذا المنتج، فإن استخدام مثل هذه الملحقات مع الأداة قد يشكل خطورة لتقليل خطر وقوع إصابة، يجب استخدام ملحقات DEWALT الموصى بها فقط مع هذا المنتج.



**تحذير:** لتقليل خطر الإصابة، ارتدي دوماً واقيات عينين ملائمة عند الجلب.



**الملحق الخاص بجلاخة الزوايا الضيقة والأماكن صعبة الوصول**  
الأحجار والأطراف المنبثقة

استشر وكيلك لمعرفة المزيد من المعلومات حول الملحقات الملائمة.

### حماية البيئة

تجمع منفصلاً، يجب عدم التخلص من هذا المنتج في النفايات المنزلية العادية.



إذا احتجت في أحد الأيام إلى استبدال منتج DEWALT الخاص بك، أو لم تعد هناك حاجة لاستخدامه، فلا تتخلص منه في النفايات المنزلية. اجعل هذا المنتج متوفراً للتجميع المنفصل.

التجميع المنفصل للمنتجات والعبوات المستهلكة يتيح إعادة تدوير المواد واستخدامها مرة أخرى. إعادة استخدام المواد المعاد تدويرها يساعد على منع التلوث البيئي وتقليل الطلب على المواد الخام.



قد توفر القوانين المحلية أماكن تجميع منفصلة للمنتجات الكهربائية عن النفايات المنزلية، وفي مواقع النفايات البلدية أو بواسطة بائع التجزئة عند شرائك لمنتج جديد.

تقدم شركة DEWALT مكان مخصص لتجميع وإعادة تدوير منتجات DEWALT فور بلوغها نهاية عمر التشغيل. للاستفادة من هذه الخدمة،

## تركيب اسطوانات الجلب (شكل 2)

1. أمسك عمود الدوران (ج) مستخدماً المفتاح المتوفر.
2. قم بفك صامولة الطوق المعدني (هـ) عن طريق لفة باتجاه عكس عقارب الساعة.
3. أدخل مقبض الملحق في الطوق المعدني (د).
4. أحكم الطوق المعدني بحذر مستخدماً المفتاح المتوفر.

إزالة الملحق، يجب اتباع الترتيب العكسي.

**تحذير:** أمسك الأداة بثبات بكلتا يديك للتحكم في الأداة في بدء عملها وأثناء الاستخدام وحتى تتوقف الاسطوانة أو الملحق عن الدوران. تأكد من توقف الاسطوانة تماماً قبل وضع الأداة على الأرض.



ضع آثار العمل في منجلة أو ثبتها بالمنجلة على نحو آمن. استخدم كمامة وجه على الأنف والفم إذا كانت العملية تثير الأتربة. عامل الاسطوانة بعناية. لا تضغط على الاسطوانة في العمل أو تضع عليها ضغوطاً لا داعي لها. قم بجلب وجه الاسطوانة فقط إلا إذا كان لديك اسطوانة خاصة مصممة خصيصاً للسماح بالجلب على جانب الاسطوانة.

## الوضع اليدوي الصحيح (شكل 3)

**تحذير:** لتقليل خطر حدوث الإصابة الشخصية الجسيمة، استخدم دوماً الوضع اليدوي الملائم كما هو موضح.



**تحذير:** لخفض خطر التعرض للإصابة الجسدية الجسيمة، أمسك لوماً الأداة بإحكام عند توقع حدوث رد فعل مفاجئ.



يتطلب الوضع اليدوي الملائم وجود يد واحدة على الجسم مع وجود اليد الأخرى على رقبعة جلاخة الزوايا الضيقة والأماكن صعبة الوصول كما هو مبين في الشكل 3.

## الصيانة

تم تصميم الأداة الكهربائية DEWALT الخاصة بك للعمل خلال فترة زمنية طويلة مع أدنى حد من الصيانة. يعتمد التشغيل المرضي المتواصل على العناية الملائمة بالأداة وتطبيقها بشكلٍ منتظم.

**تحذير:** للحد من خطر التعرض للإصابة، أوقف تشغيل الوحدة وافصل مصدر الطاقة عن الماكينة قبل تركيب الملحقات فكها، وقبل ضبط أو تغيير الإعدادات، أو عند إجراء الإصلاحات. تأكد من أن المفتاح في وضع OFF (إيقاف التشغيل). فبدء التشغيل العرضي قد يؤدي إلى حدوث إصابة.



## فرش المحرك

حافظ على نظافة الفرش وانزلقها في مساراتها المحددة. لدى فرش الكربون رموز متنوعة مطبوعة عليها، وإذا بليت الفرشاة حتى وصلت إلى الخط الأقرب للنايظ، فيجب أن تستبدل. تتوفر مجموعات جديدة من الفرش لدى مركز الخدمة المحلية الخاص بك.



## التشحيم

لا تحتاج الأداة الكهربائية الخاصة بك إلى أي تشحيم إضافي.

## العربية

الرجاء إعادة المنتج الخاص بك إلى وكيل إصلاح معتمد والذي سيقوم بتجميعه نيابة عنك.

بإمكانك التعرف على موقع أقرب وكيل إصلاح معتمد في منطقتك من خلال الاتصال بمكتب DEWALT المحلي على العنوان المحدد في هذا الدليل. بدلاً من ذلك، تتوفر قائمة من وكلاء إصلاح معتمدين تابعين لـ DEWALT مع بياناتهم التفصيلية الكاملة لخدمة ما بعد البيع وجهات الاتصال المتوفرة على الإنترنت عبر الموقع الإلكتروني: [www.2helpU.com](http://www.2helpU.com)







<b>Afganistan</b>	Ariana Hafiz Zabi Co. Ltd. Dahan Bagh Squire Karte Ariana, Kabul, Afghanistan	info@arianahafiz.com	Tel: 93-0-799331079 Fax: 93-0-700007576 / 93-0-799331079
<b>Algeria</b>	Sarl Outillage Corporation 08, Rue Med Boudiaf (ex TELLA Achen) Cheraga, Alger	hakim.merdjadi@outillage-dz.com lyes@outillage-dz.com Mali.faiza@outillage-dz.com; sidahmed@outillage-dz.com	Tel: 213-0-21375130 213-0-21375131 Fax: 213-0-21369667
<b>Angola</b>	Angoferraria, Lda. Rua Robert Shields, nº 61, Luanda, Angola	angoferraria@gmail.com sequeira.angoferraria@gmail.com	Tel: 244-222-395837 / 244-222-395034 Fax: 244-222-394790
<b>Azerbaijan</b>	Royalton Holdings Ltd. 41 Khagani St. Apt. 47 AZ1001 Baku- Azerbaijan	jai@royaltonholdings.com office@royaltonholdings.com	Tel: 994-12-4935544 Fax: 994-12-5980378
<b>Egypt</b>	ElFarab S.A.E. 15-Nabil El Wakkad Street, Dokki, Giza, Egypt	elfarab@elfarab.com adel.ezzat@elfarab.com mahmoud.elhosseiny@elfarab.com	Tel: 202-37603946 Fax: 202-33352796
<b>Ethiopia</b>	Seif Tewfik Sherif Arada Sub City, Kebele 01/02, Global Insurance Bldg., 2nd Flr., Room 43, P.O. Box 2525, Addis Ababa	seif@ethionet.et nawanag@ethionet.et	Tel: 251-11-1563968 251-11-1563969 Fax: 251-11-1558009
<b>Iraq</b>	Al-Sard Co. for General Trading Ltd Jbara Bldg. 3Flr. Al Rasheed St., Baghdad, Iraq	dewalt.service@yahoo.com	Tel: 964-18184102
<b>Jordan</b>	Amman West Stores-Bashiti 210 Garden St. Tla'a Ali, P.O. Box 1564 Tla Ali Amman 11953, Jordan	ali@bashitistores.com yousef@bashitistores.com	Tel: 962-6-5350009 Fax: 962-6-5350012
<b>Kenya</b>	Dextron Tools Ltd. P.O. Box 20121-00200, Shariff House, Kimathi Street, Nairobi	info@alibhaishariff.co.ke dextron@alibhaishariff.co.ke	Tel: 254-20-6905000 254-20-2358021 Fax: 254-20-6905111 / 254-20-6905112
<b>Lebanon</b>	Est. Shaya & Azar S.A.R.L. Boulevard Jdeideh - Mar Takla - Bouchrieh . P.O. Box 90545, Jdeideh. Beirut - Lebanon	shayazar@dm.net.lb	Tel: 961 1 872305 961 1 872306 Fax: 961 1 872303
<b>Libya</b>	North Africa Trading ( El Ghoul Brothers) P.O. Box 348, 7 October Street 11 Benghazi	maryam_farooq2003@yahoo.com nagte@eim.ae dewalt_libya@yahoo.com	Tel: 218-061-3383994 Fax: 218-092-7640688
	North Africa Trading ( El Ghoul Brothers) AlBarniq DeWALT Center, Mokhazin-elsukar St. ElFallah, Tripoli	dewalt_libya@yahoo.com	Tel: 218-021-3606430 Fax: 218-092-6514813
	North Africa Trading ( El Ghoul Brothers) AlHilal Service Center Tawergha St., Misurata		Tel: 218-091-3221408
<b>Mauritius</b>	Robert Le Marie Limited Old Moka Road, Bell Village, P.O. Box 161, Port Louis	a.blackburn.rm@rmgroup.mu jm.pierrelouis.rm@rmgroup.mu	Tel: 230-212 1865 230-212 2847 Fax: 230-2080843
<b>Morocco</b>	Ets Louis Guillaud & Cie 31, Rue Pierre Parent, Casablanca - 21000	boumadiane.azedine@elg.ma doukkail.marouane@elg.ma	Tel: 522-301446 / 305971 / 317815 / 315576 Fax: 522-444518 / 317888
<b>Nigeria</b>	Meridian Power Tools Ltd. Gr. Floor, #1 Alhaji Masha Rd, Next to Teslim Balogun Stadium, Near National Stadium Surulere, Lagos, Nigeria	braj@meridian-nigeria.com	Tel: 234-1-7740431 234-1-7740410 Fax: 234-1-7913798
<b>Pakistan</b>	Northern Toolings (Pvt) Ltd.-Lahore 86- Railway Road, Lahore - 7 Pakistan	zhayee@northern.pk import@northern.pk sales@northern.pk	Tel: 92-423-7651220 92-423-7641675 Fax: 92-423-7641674
	Northern Toolings (Pvt) Ltd.-Karachi 224-231 Industrial Town Plaza, Shahrah-e-Liaqat, Karachi, Pakistan	karachibr@northern.pk	Tel: 92-213-2465305 92-213-2465307 Fax: 92-213-2465301
	Northern Toolings (Pvt) Ltd.-Taxila Al-Rehman Plaza, Opposite Tehsil Court, Faisal Shaheed Road, Taxila	taxilabr@northern.pk	Tel: 92-51-4545811 Fax: 92-51-4544194
<b>South Africa</b>	Benray Tool Wholesalers C.C. 91 Turfontein Road, Stafford, Johannesburg, 2001 P.O. Box 260037 EXCOM 2023, South Africa	dewaltservice@benray.co.za zain@benray.co.za shafiq@benray.co.za	Tel: 27-11-6838350 Fax: 27-11-6837456
<b>Tanzania</b>	General Motors Investment Ltd. 14 Vingunguti-Nyerere Road, P.O.Box 16541, Dar es Salaam, Tanzania	ezra@gmi-tz.com info@gmi-tz.com chiwelesa@yahoo.com	Tel: 255-22-2865022 / 2862661 / 2862671 / 2862659 Fax: 255-22-2862667
<b>Tunisia</b>	Ets. Mohamed Ghorbel 03 Rue 8603 Chargaia I Tunis. Postal Code 2035	slim.ghorbel@gnet.tn moh.ghorbel@gnet.tn mourad.ghorbel@gnet.tn	Tel: 216-71794248 216-71793848 Fax: 216-71770759
<b>Uganda</b>	The Building Center (u) Ltd. 52 Station Road, Kitgum House, P.O. Box 7436 Kampala, Uganda	tbc@africaonline.co.ug chris@tbcu.co.ug	Tel: 256-041-4234567 256-041-4259754 Fax: 256-041-4236413
<b>Yemen</b>	Middle East Trading Co. (METCO) 5th Flr.Hayel Saeed Anam Bldg. Al-Mugamma St. Taiz, Yemen	tamer.metco@gmail.com tamer@metcotrading.com metco@metcotrading.com sami@metcotrading.com	Tel: 967-4-213455 Fax: 967-4-219869
	Middle East Trading Co. (METCO) Mualla Dakka, Aden	tamer.metco@gmail.com tamer@metcotrading.com metco@metcotrading.com	Tel: 967-2-222670 Fax: 967-2-222670
	Middle East Trading Co. (METCO) Hayel st., Sana'a, Yemen	tamer.metco@gmail.com tamer@metcotrading.com metco@metcotrading.com	Tel: 967-1-204201 Fax: 967-1-204204

<b>UAE</b>	Black & Decker (Overseas) GmbH P.O. Box 5420, Dubai	service.me@blackdecker.com	Tel: 971-4 8127400 / 8127406 Fax: 971-4 2822765	
	Ideal Star Workshop Eqpt. Trading LLC P.O. Box 37116, Al Quoz, Dubai	idealeq@emirates.net.ae	Tel: 971-4 3474160 Fax: 971-4 3474157	
	Alebrah Engineering Service P.O. Box 78954, Al Qusais, Dubai	alebrah@eim.ae	Tel: 971-4 2850044 Fax: 971-4 2844802	
	Burj Al Madeena Industrial Area No. 1, opp. Pakistani Masjid P.O. Box 37635, Sharjah	dewaltuae@hotmail.com	Tel: 971-6 5337747 Fax: 971-6 5337719	
	McCoy Middle East LLC P.O. Box 25793, Sharjah	mccoy@emirates.net.ae	Tel: 971-6 5395931 Fax: 971-6 5395932	
	McCoy Middle East LLC P.O. Box 10584, Ras Al Khaimah	mccoyrak@gmail.com	Tel: 971-7 2277095 Fax: 971-7 2277096	
	Al Sukoon Gen. Trdg. Co. LLC P.O. Box 2975, Ajman	sukoon@eim.ae	Tel: 971-6 7435725 / 7438317 Fax: 971-6 7437350	
	Zillion Equipment and Spare Parts Trading LLC P.O. Box 19740, opp. Bin Sadal / Trimix Redymix Sanaiya, Al Ain	zilliontrdg@gmail.com	Tel: 971-3 7216690 Fax: 971-3 7216103	
	Light House Electrical, Abu Dhabi Branch P.O. Box 120, Abu Dhabi	dewalt_lhe@hotmail.com	Tel: 971-2 6726131 Fax: 971-2 6720667	
	Light House Electrical, Musaffah Branch P.O. Box 120, Abu Dhabi	dewalt_lhe@hotmail.com	Tel: 971-2 5548315 Fax: 971-2 5540461	
	<b>Bahrain</b>	Alfouz Services Co. WLL P.O. Box 26562, Tubli, Manama	alfouz@batelco.com.bh	Tel: 973 17783562 / 17879987 Fax: 973 17783479
		Kavalani & Sons W.L.L. P.O. Box 71, Sitra, Manama	info@kavalani.com pradeep@kavalani.com	Tel: 973 17732888 Fax: 973 17737379
	<b>Kuwait</b>	Al Omar Technical Co. P.O. Box 4062, Safat 13041, Kuwait	alexotc@usa.net	Tel: 965 24848595 / 24840039 Fax: 965 24845652
		Fawaz Al Zayani Establishment P.O. Box 42426, Shop No.18, Al Hurnaizi Commercial Complex, Khalifa Al Jassim, Shuwaikh	dewaltkuwait@hotmail.com	Tel: 965 24828710 Fax: 965 24828716
Fawaz Al Zayani Establishment Fahaheel Industrial Area, Main St., Sanaya		dewaltkuwait@hotmail.com	Tel: 965 23925830 Fax: 965 24828716	
<b>Oman</b>	Al Jizzi Company LLC P.O. Box 1704, P.C. 112, Ruwi	aljizied@omantel.net.om jizzi10@omantel.net.om	Tel: 968 24832618 / 24835153 Fax: 968 24831334 / 24836460	
	Al Hassan Technical & Construction Supplies Co. LLC P.O. Box 1948, P.C. 112, Ruwi	hamriya.sr@al-hassan.com abrar.h@al-hassan.com	Tel: 968 24810575 / 24837054 Fax: 968 24810287 / 24833080	
	Oman Hardware Co. LLC P.O. Box 635, Ruwi Postal Code 112	omanhard@omantel.net.om	Tel: 968 24815131 Fax: 968 24816491	
	Khimji Ramdas P.O. Box 19, Post Code 100, Ghala, Muscat	bilal.m@khimjiramdas.com	Tel: 968 24595906/ 907 Fax: 968 24852752	
	<b>Qatar</b>	Teyseer Industrial Supplies & Services Co. WLL 55, Al Wakalat St. (Between St. 18 & 19) Salwa Industrial Area, P.O. Box 40523 Doha	manish@tissco-qatar.com tool.service@tissco-qatar.com	Tel: 974 4581536 Fax: 974 4682024
Shaheen Electrical Works & Trading Co. WLL Gate 34, St. 44 Industrial Area P.O. Box 9756, Doha		shaheenelc@gmail.com	Tel: 974 460 02 30 / 460 05 25 Fax: 974 460 13 38	
<b>KSA</b>	Industrial Material Organization (IMO) P.O. Box 623, Rail Street, Riyadh	service@imo.com.sa	Tel: 966-1 4028010 Ext. 26 Tel: 966-1 8001245757 Fax: 966-1 4037970	
	Fawaz Ebrahim Al Zayani Trading Est. P.O. Box 76026, Al Raka : 31952	dewaltdammam@hotmail.com	Tel: 966-3 8140914 Fax: 966-3 8140824	
	MSS (Al-Mojil Supply & Services) P.O. Box 450, Jubail 31951 Opp-Gulf Bridge Library & Riyadh House	mssjubail@almojilservices.com alex.chang@almojilservices.com	Tel: 966-3 3612850 / 3624487 Tel: 966-3 3621729 Fax: 966-3 3623589 / 3620783	
	EAC (Al Yousef Contg. & Trdg. Est.) P.O. Box 30377, Jeddah -21477	golamkibria77@yahoo.com	Tel: 966-2 6519912 Fax: 966-2 6511153	
	Mohamed Ahmed Bin Aff Est. P.O. Box 530, Yanbu, Al Bahr	binaffyanbu@hotmail.com	Tel: 966-4 3222626 / 3228867 Fax: 966-4 3222210	
	Garziz Trading for Bldg Mat & Decoration P.O. Box 3364, Madina	agarziz@yahoo.com	Tel: 966-4 826 14 90 / 822 76 36 Fax: 966-4 826 57 41	
	Sultan Garment Factory (RSC) P.O. Box 29912, Riyadh 11467	rscservice@digl.net.sa	Tel: 966-1 4055148 / 4042889 Fax: 966-1 4055148	
	Al Bawardi Tools & Hardware P.O. Box 112, Dammam 31411	asattar@albawardi.com nibanez@albawardi.com	Tel: 966-3 8330780 Ext. 24 Tel: 966-3 8348585 Ext. 24 Fax: 966-3 8336303	
	Al Bawardi Tools & Hardware P.O. Box 68, Riyadh 11411	rbaltao@albawardi.com asamad@albawardi.com	Tel: 966-1 4484999 Fax: 966-3 4487877	
	Al Bawardi Tools & Hardware P.O. Box 16905, Jeddah 21474	sharadj@albawardi.com fgaber@albawardi.com	Tel: 966-2 6444547 / 6439035 Tel: 966-2 6456095 Fax: 966-2 6439024	