

---

# **DEWALT®**

---

**DC733**

**DC740**

**DC750**

**DW907**

---

<b>English</b>	<b>6</b>
----------------	----------

---

<b>Korea</b>	<b>14</b>
--------------	-----------

---

<b>Simplified Chinese</b>	<b>22</b>
---------------------------	-----------

---

<b>Thai</b>	<b>31</b>
-------------	-----------

---

Figure 1

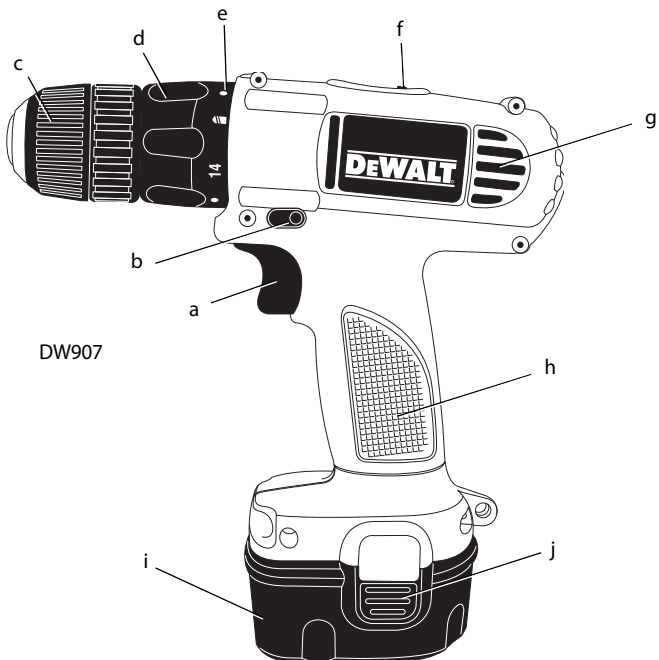
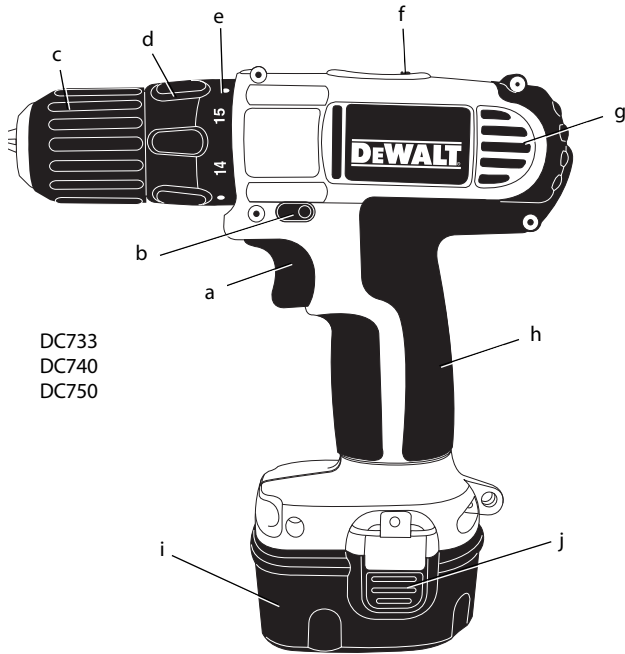


Figure 2

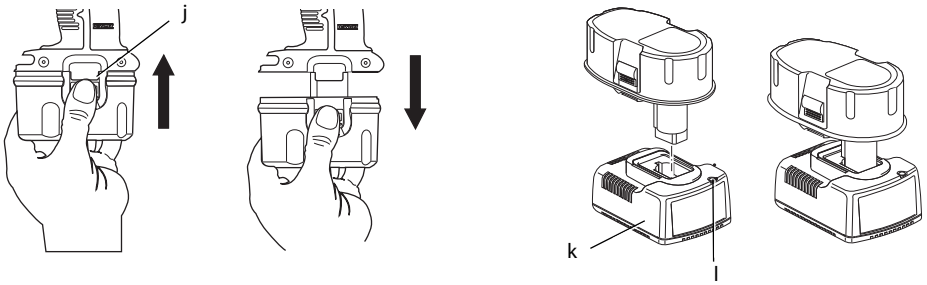


Figure 3

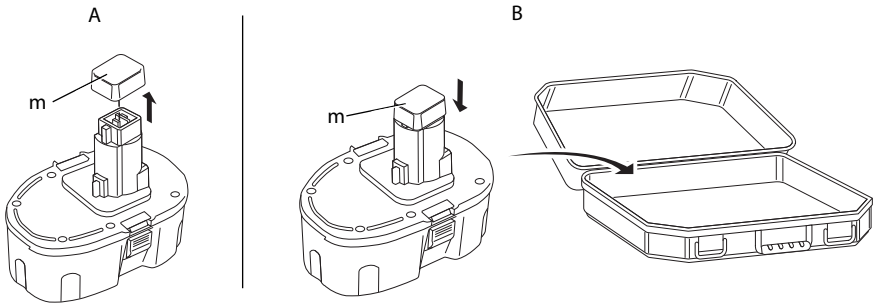


Figure 4

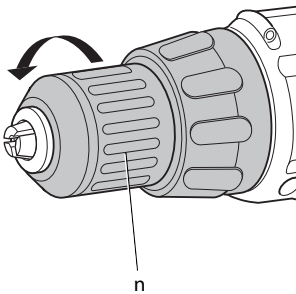


Figure 5

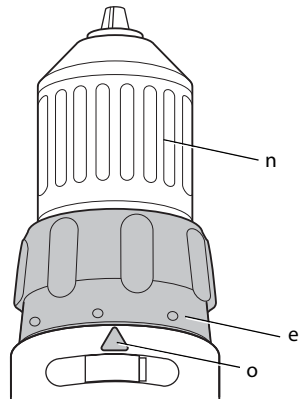




Figure 6

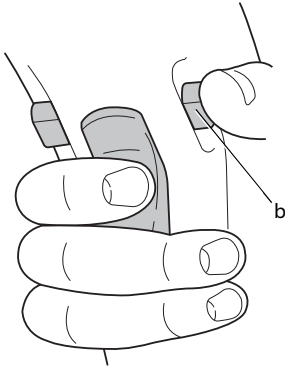


Figure 7

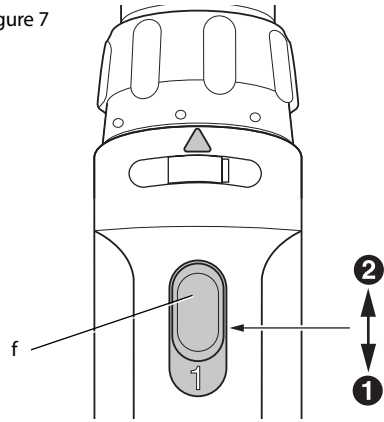


Figure 8

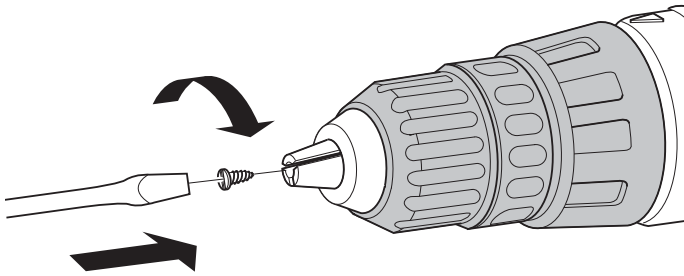
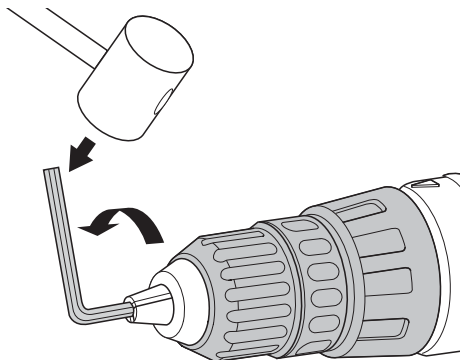


Figure 9



# CORDLESS DRILL/DRIVER

## DC733, DC740, DC750, DW907

### Congratulations!

You have chosen a DEWALT tool. Years of experience, thorough product development and innovation make DEWALT one of the most reliable partners for professional power tool users.

### Technical data

		DC733	DC740	DW907	DC750
Voltage	V	14.4	12	12	9.6

No-load speed					
1st gear	min <sup>-1</sup>	0-400	0-350	0-350	0-300
2nd gear	min <sup>-1</sup>	0-1300	0-1200	0-1200	0-1100

Max. torque	Nm	30	26	21	20
Chuck capacity	mm	10	10	10	10

Maximum drilling capacity					
in steel/wood	mm	10/30	10/25	10/25	10/22

Weight (without battery pack)	kg	1.1	1.1	1.1	1.1
-------------------------------	----	-----	-----	-----	-----

$L_{pA}$ (sound pressure)dB(A)	76	75	75	74
--------------------------------	----	----	----	----

$K_{PA}$ (sound pressure uncertainty)	dB(A)3	3	3	3
---------------------------------------	--------	---	---	---

$L_{WA}$ (acoustic power)dB(A)	84	83	83	83
--------------------------------	----	----	----	----

$K_{WA}$ (acoustic power uncertainty)	dB(A)3.3	3.3	3.3	3.3
---------------------------------------	----------	-----	-----	-----

Vibration total values (triax vector sum) determined according to EN 60745-1, EN 60745-2-1, EN 60745-2-2:

Drilling into mild steel					
ah =	m/s <sup>2</sup>	1.7	1.6	1.6	1.5
Uncertainty K =	m/s <sup>2</sup>	1.5	1.5	1.5	1.5

Screwdriving without impact					
ah =	m/s <sup>2</sup>	1.3	1.2	1.2	1.1
Uncertainty K =	m/s <sup>2</sup>	1.5	1.5	1.5	1.5

The vibration emission level given in this information sheet has been measured in accordance with a standardised test given in EN 60745 and may be used to compare one tool with another. It may be used for a preliminary assessment of exposure.



**WARNING:** The declared vibration emission level represents the main applications of the tool. However if the tool is used for different applications, with different accessories or poorly

maintained, the vibration emission may differ. This may significantly increase the exposure level over the total working period.

An estimation of the level of exposure to vibration should also take into account the times when the tool is switched off or when it is running but not actually doing the job. This may significantly reduce the exposure level over the total working period.

Identify additional safety measures to protect the operator from the effects of vibration such as: maintain the tool and the accessories, keep the hands warm, organisation of work patterns.

Battery pack	DE9062	DE9074	DE9071	DE9501
Battery type	NiCd	NiCd	NiCd	NiMH
Voltage	V	9.6	12	12
Capacity	Ah	1.3	1.3	2.0
Weight	kg	0.42	0.5	0.65

Battery pack	DE9502	DE9091	DE9140	DE9141
Battery type	NiMH	NiCd	Li-Ion	Li-Ion
Voltage	V	14.4	14.4	14.4
Capacity	Ah	2.6	2.0	2.0
Weight	kg	0.82	0.84	0.58

Charger	DE9116	DE9118	DE9135
Battery type	NiCd/ NiMH	NiCd	NiCd/NiMH /Li-Ion
Mains voltageV <sub>ac</sub>	230	230	230
Approx. charging			
time	min	40 (2,0 Ah battery packs)	60 (2,0 Ah battery packs)
		40 (2,0 Ah battery packs)	
Weight	kg	0.4	0.9

## General safety rules

**Warning!** Read all instructions. Failure to follow all instructions listed below may result in electric shock, fire and/or serious injury. The term “power tool” in all of the warnings listed below refers to your mains operated (corded) power tool or battery operated (cordless) power tool. SAVE THESE INSTRUCTIONS.

### 1 Work area

- a Keep work area clean and well lit.** Cluttered and dark areas invite accidents.
- b Do not operate power tools in explosive atmospheres, such as in the presence of flammable liquids, gases or dust.** Power tools create sparks which may ignite the dust or fumes.
- c Keep children and bystanders away while operating a power tool.** Distractions can cause you to lose control.

### 2 Electrical safety

- a Power tool plugs must match the outlet. Never modify the plug in any way. Do not use any adapter plugs with earthed (grounded) power tools.** Unmodified plugs and matching outlets will reduce risk of electric shock.
- b Avoid body contact with earthed or grounded surfaces such as pipes, radiators, ranges and refrigerators.** There is an increased risk of electric shock if your body is earthed or grounded.
- c Do not expose power tools to rain or wet conditions.** Water entering a power tool will increase the risk of electric shock.
- d Do not abuse the cord. Never use the cord for carrying, pulling or unplugging the power tool. Keep cord away from heat, oil, sharp edges or moving parts.** Damaged or entangled cords increase the risk of electric shock.
- e When operating a power tool outdoors, use an extension cord suitable for outdoor use.** Use of a cord suitable for outdoor use reduces the risk of electric shock.

### 3 Personal safety

- a Stay alert, watch what you are doing and use common sense when operating a power tool. Do not use a power tool while you are tired or under the influence of drugs, alcohol or medication.** A moment of inattention while operating power tools may result in serious personal injury.

- b Use safety equipment. Always wear eye protection.** Safety equipment such as dust mask, non-skid safety shoes, hard hat, or hearing protection used for appropriate conditions will reduce personal injuries.
- c Avoid accidental starting. Ensure the switch is in the off position before plugging in.** Carrying power tools with your finger on the switch or plugging in power tools that have the switch on invites accidents.
- d Remove any adjusting key or wrench before turning the power tool on.** A wrench or a key left attached to a rotating part of the power tool may result in personal injury.
- e Do not overreach. Keep proper footing and balance at all times.** This enables better control of the power tool in unexpected situations.
- f Dress properly. Do not wear loose clothing or jewellery. Keep your hair, clothing and gloves away from moving parts.** Loose clothes, jewellery or long hair can be caught in moving parts.
- g If devices are provided for the connection of dust extraction and collection facilities, ensure these are connected and properly used.** Use of these devices can reduce dust related hazards.

### 4 Power tool use and care

- a Do not force the power tool. Use the correct power tool for your application.** The correct power tool will do the job better and safer at the rate for which it was designed.
- b Do not use the power tool if the switch does not turn it on and off.** Any power tool that cannot be controlled with the switch is dangerous and must be repaired.
- c Disconnect the plug from the power source before making any adjustments, changing accessories, or storing power tools.** Such preventive safety measures reduce the risk of starting the power tool accidentally.
- d Store idle power tools out of the reach of children and do not allow persons unfamiliar with the power tool or these instructions to operate the power tool.** Power tools are dangerous in the hands of untrained users.

- e **Maintain power tools. Check for misalignment or binding of moving parts, breakage of parts and any other condition that may affect the power tools operation. If damaged, have the power tool repaired before use.** Many accidents are caused by poorly maintained power tools.
- f **Keep cutting tools sharp and clean.** Properly maintained cutting tools with sharp cutting edges are less likely to bind and are easier to control.
- g **Use the power tool, accessories and tool bits etc., in accordance with these instructions and in the manner intended for the particular type of power tool, taking into account the working conditions and the work to be performed.** Use of the power tool for operations different from those intended could result in a hazardous situation.

**5 Battery tool use and care**

- a **Ensure the switch is in the off position before inserting battery pack.** Inserting the battery pack into power tools that have the switch on invites accidents.
- b **Recharge only with the charger specified by the manufacturer.** A charger that is suitable for one type of battery pack may create a risk of fire when used with another battery pack.
- c **Use power tools only with specifically designated battery packs.** Use of any other battery packs may create a risk of injury and fire.
- d **When battery pack is not in use, keep it away from other metal objects like paper clips, coins, keys, nails, screws, or other small metal objects that can make a connection from one terminal to another.** Shorting the battery terminals together may cause burns or a fire.
- e **Under abusive conditions, liquid may be ejected from the battery; avoid contact. If contact accidentally occurs, flush with water. If liquid contacts eyes, additionally seek medical help.** Liquid ejected from the battery may cause irritation or burns.

**6 Service**

- a **Have your power tool serviced by a qualified repair person using only identical replacement parts.** This will ensure that the safety of the power tool is maintained.

**Additional safety instructions for battery packs**



**Fire hazard!** Avoid metal short circuiting the contacts of a detached battery pack. Do not store or carry the battery pack without the battery cap placed over the contacts.

- The battery fluid, a 25-30% solution of potassium hydroxide, can be harmful. In case of skin contact, flush immediately with water. Neutralize with a mild acid such as lemon juice or vinegar. In case of eye contact, rinse abundantly with clean water for at least 10 minutes. Consult a physician.
- Never attempt to open a battery pack for any reason.

**Labels on charger and battery pack**

In addition to the pictographs used in this manual, the labels on the charger and the battery pack show the following pictographs:



Battery charging



Battery charged



Battery defective



Do not probe with conductive objects



Do not charge damaged battery packs



Read instruction manual before use



Use only with DeWALT battery packs, others may burst, causing personal injury and damage



Do not expose to water



Have defective cords replaced immediately



Charge only between 4 °C and 40 °C



Discard the battery pack with due care for the environment



Do not incinerate the battery pack

## Package contents

The package contains:

- 1 Cordless drill/driver
- 1 Charger
- 2 Battery packs
- 1 Screwdriver bit
- 1 Kitbox (K-models only)
- 1 Instruction manual

- Check for damage to the tool, parts or accessories which may have occurred during transport.
- Take the time to thoroughly read and understand this manual prior to operation.

## Description (fig. 1)

Your cordless drill/driver DC733/DC740/DC750 has been designed for professional drilling and screwdriving applications.

- a Variable speed switch
- b Forward/reverse slider
- c Keyless chuck
- d Mode selector/torque adjustment collar
- e Collar settings
- f Two gear selector
- g Ventilation slots
- h Grip
- i Battery pack

## Charger

Your DE9116 charger accepts DeWALT NiCd and NiMH battery packs ranging from 7.2 V to 18 V.

Your DE9118 charger accepts DeWALT NiCd battery packs ranging from 7.2 V to 14.4 V.

The DE9135 charger accepts 7.2 to 18 V NiCd, NiMH or Li-Ion batteries.

These chargers require no adjustment and are designed to be as easy as possible to operate.

- i Battery pack
- j Release buttons
- k Charger
- l Charging indicator (red)

## Electrical safety

The electric motor has been designed for one voltage only. Always check that the battery pack voltage corresponds to the voltage on the rating plate. Also make sure that the voltage of your charger corresponds to that of your mains.



Your DeWALT charger is double insulated in accordance with EN 60745.

## Using an extension cable

An extension cord should not be used unless absolutely necessary. Use an approved extension cable suitable for the power input of your charger (see technical data). The minimum conductor size is 1 mm<sup>2</sup>; the maximum length is 30 m.

## Assembly and adjustment



- Prior to assembly and adjustment, always remove the battery pack.
- Always switch off the tool before inserting or removing the battery pack.



Use only DeWALT battery packs and chargers.

## Battery pack (fig. 2 & 3)

### Charging Procedure



**DANGER:** Electrocutation hazard. 230 volts present at charging terminals. Do not probe with conductive objects. Danger of electric shock or electrocution.

1. Plug the charger (k) into an appropriate outlet before inserting battery pack.
2. Insert the battery pack into the charger. The red (charging) light will blink continuously indicating

that the charging process has started.

- The completion of charge will be indicated by the red light remaining ON continuously. The pack is fully charged and may be used at this time or left in the charger.

## Charging Process

Refer the table below for the state of charge of the battery pack.

State of charge	
charging	- - - - -
fully charged	=====
hot/cold pack delay	— - — - -
replace battery pack	••••••••
problem	•• •• ••

## Automatic Refresh (DE9116, DE9135 only)

The automatic refresh mode will equalise or balance the individual cells in the battery pack at its peak capacity. Battery packs should be refreshed weekly or whenever the pack no longer delivers the same amount of work.

To refresh your battery pack, place the battery in the charger as usual. Leave the battery pack for at least 8 hours in the charger.

## Hot/Cold Pack Delay (DE9116, DE9135 only)

When the charger detects a battery that is too hot or too cold, it automatically starts a Hot/Cold Pack Delay, suspending charging until the battery has appropriate temperature. The charger then automatically switches to the pack charging mode. This feature ensures maximum battery life.

### DEEP DISCHARGE PROTECTION

The battery pack is protected against deep discharging when it is used in the tool.

## Important Safety Instructions for All Battery Packs

When ordering replacement battery packs, be sure to include catalog number and voltage. Consult the chart at the end of this manual for compatibility of chargers and battery packs.

The battery pack is not fully charged out of the carton. Before using the battery pack and charger, read the safety instructions below. Then follow charging procedures outlined.

### READ ALL INSTRUCTIONS

- Do not charge or use battery in explosive atmospheres, such as in the presence of flammable liquids, gases or dust. Inserting or removing the battery from the charger may ignite the dust or fumes.
- Charge the battery packs only in DEWALT chargers.
- DO NOT splash or immerse in water or other liquids.
- Do not store or use the tool and battery pack in locations where the temperature may reach or exceed 40° C (105° F) (such as outside sheds or metal buildings in summer).



**DANGER:** Electrocutation hazard. Never attempt to open the battery pack for any reason. If battery pack case is cracked or damaged, do not insert into charger. Electric shock or electrocution may result. Damaged battery packs should be returned to service center for recycling.



**WARNING:** Never attempt to open the battery pack for any reason. If battery pack case is cracked or damaged, do not insert into charger. Do not crush, drop or damage battery pack. Do not use a battery pack or charger that has received a sharp blow, been dropped, run over or damaged in any way (i.e., pierced with a nail, hit with a hammer, stepped on). Damaged battery packs should be returned to service center for recycling.



**CAUTION:** When not in use, place tool on its side on a stable surface where it will not cause a tripping or falling hazard. Some tools with large battery packs will stand upright on the battery pack but may be easily knocked over.

### SPECIFIC SAFETY INSTRUCTIONS FOR NICKEL CADMIUM (NiCd) OR NICKEL METAL HYDRIDE (NiMH)

- Do not incinerate the battery pack even if it is severely damaged or is completely worn out. The battery pack can explode in a fire.
- A small leakage of liquid from the battery pack cells may occur under extreme usage or temperature conditions. This does not indicate a failure.

**However, if the outer seal is broken:**

- a. And the battery liquid gets on your skin, immediately wash with soap and water for several minutes.
- b. And the battery liquid gets into your eyes, flush them with clean water for a minimum of 10 minutes and seek immediate medical attention. (Medical note: The liquid is 25-35% solution of potassium hydroxide.)

**SPECIFIC SAFETY INSTRUCTIONS FOR LITHIUM ION (LI ION)**

- Do not incinerate the battery pack even if it is severely damaged or is completely worn out. The battery pack can explode in a fire. Toxic fumes and materials are created when lithium ion battery packs are burned.
- If battery contents come into contact with the skin, immediately wash area with mild soap and water. If battery liquid gets into the eye, rinse water over the open eye for 15 minutes or until irritation ceases. If medical attention is needed, the battery electrolyte is composed of a mixture of liquid organic carbonates and lithium salts.
- Contents of opened battery cells may cause respiratory irritation. Provide fresh air. If symptoms persists, seek medical attention.



**WARNING:** Burn hazard. Battery liquid may be flammable if exposed to spark or flame.

**Battery cap (fig. 3)**

A protective cap is supplied to cover the contacts of a detached battery pack. Without the protective cap in place, loose metal objects could short circuit the contacts, causing a fire hazard and damaging the battery pack.

- Take off the protective cap (m) before placing the battery pack (i) in the charger or tool.
- Place the protective cap over the contacts immediately after removing the battery pack from the charger or tool.



Make sure the protective cap is in place before storing or carrying a detached battery pack.

**Inserting and removing bits (fig. 4)**

- Open the chuck by turning the sleeve (n) counterclockwise and insert the bit shank.

- Place the bit in the chuck as far as it will go and lift slightly before tightening.
- Tighten firmly by turning the sleeve clockwise.
- To remove the bit, proceed in reverse order.

**Selecting the operating mode or adjusting the torque (fig. 5)**

The collar of this tool has 15 positions for the adjustment of the torque to suit the size of the screw and the workpiece material. For torque adjustment, refer to the section "Screwdriving".

- Select the drilling mode or torque by aligning the symbol or number on the collar (e) with the indicator (o) on the housing.

**Forward/reverse slider (fig. 6)**

- To select forward or reverse rotation, use the forward/reverse slider (b) as shown (see arrows on tool).



Always wait until the motor has come to a complete standstill before changing the direction of rotation.

**Two gear selector (fig. 7)**

Your tool is fitted with a two gear selector (f) to vary the speed/torque ratio.

- 1 low speed/high torque (drilling large holes, driving screws)
- 2 high speed/low torque (drilling smaller holes)

For speed rates, refer to the technical data.



- Always push the two gear selector completely forward or backward.
- Do not change gears at full speed or during use.

**Instructions for use**

Always observe the safety instructions and applicable regulations.



Be aware of the location of pipework and wiring.



Apply only a gentle pressure to the tool. Excessive force does not speed up drilling but decreases tool performance and may shorten tool life.



To minimise stalling on break-through, progressively reduce the drill point pressure towards the end of the operation.



Keep the motor running when pulling the bit back out of a drilled hole. This will help prevent jamming.

### Prior to operation:

- Make sure your battery pack is (fully) charged.
- Insert the appropriate bit.
- Mark the spot where the hole is to be drilled.
- Select forward or reverse rotation.

### Switching on and off (fig. b)

- To run the tool, press the variable speed switch (a). The pressure exerted on the variable speed switch determines the tool speed.
- To stop the tool, release the switch.
- To lock the tool in off position, move the forward/reverse slider (b) to the central position.



The drill is equipped with a brake to stop the tool as soon as the variable speed switch is fully released.

### Screwdriving

- Select forward or reverse rotation using the slider (b).
- Set the collar (e) to position 1 and begin screwdriving (low torque).
- If the clutch ratchets too soon, adjust the collar to increase the torque as required.

### Drilling

- Select the drilling mode using the collar (e).

### Drilling in metal

- Use a cutting lubricant when drilling metals. The exceptions are cast iron and brass which should be drilled dry.

### Drilling in wood

- Holes in wood can be made with the same twist drills used for metal. These bits may overheat unless pulled out frequently to clear chips from the flutes.
- For larger holes use Auger bits.
- Use a block of wood to back up workpieces that may splinter.

Consult your dealer for further information on the appropriate accessories.

### Maintenance

Your DeWALT power tool has been designed to operate over a long period of time with a minimum of maintenance. Continuous satisfactory operation depends upon proper tool care and regular cleaning.



### Lubrication

Your power tool requires no additional lubrication.



### Cleaning

- Unplug the charger before cleaning the housing with a soft cloth.
- Remove the battery pack before cleaning your power tool.
- Keep the ventilation slots clear and regularly clean the housing with a soft cloth.



Separate collection. This product must not be disposed of with normal household waste.

Should you find one day that your DeWALT product needs replacement, or if it is of no further use to you, do not dispose of it with household waste. Make this product available for separate collection.



Separate collection of used products and packaging allows materials to be recycled and used again. Re-use of recycled materials helps prevent environmental pollution and reduces the demand for raw materials.



Local regulations may provide for separate collection of electrical products from the household, at municipal waste sites or by the retailer when you purchase a new product.

DeWALT provides a facility for the collection and recycling of DeWALT products once they have reached the end of their working life. To take advantage of this service please return your product to any authorised repair agent who will collect them on our behalf.

You can check the location of your nearest authorised repair agent by contacting your local DeWALT office at the address indicated in this manual. Alternatively, a list of authorised DeWALT repair agents and full details of our after-sales service and contacts are available on the Internet at: [www.2helpU.com](http://www.2helpU.com).



### **Rechargeable battery pack**

This long life battery pack must be recharged when it fails to produce sufficient power on jobs which were easily done before. At the end of its technical life, discard it with due care for our environment:

- Run the battery pack down completely, then remove it from the tool.
- Li-Ion, NiCd and NiMH cells are recyclable. Take them to your dealer or a local recycling station. The collected battery packs will be recycled or disposed of properly.

# 충전드릴/드라이버 DC733, DC740, DC750, DW907

## 축하합니다!

귀하는 디월트 전동공구를 선택했습니다. 수년간의 경험과 완벽한 제품개발, 혁신을 통하여 디월트는 산업용 전동공구 사용자들의 가장 믿을만한 파트너로서 신뢰를 쌓아오고 있습니다.

## 기술 데이터

	DC733	DC740	DW907	DC750	
전압	V	14.4	12	12	9.6
무부하속도					
1단 기어	min <sup>-1</sup>	0-400	0-350	0-350	0-300
2단 기어	min <sup>-1</sup>	0-1,300	0-1,200	0-1,200	0-1,100
최대 토크	Nm	30	26	21	20
척 크기	mm	10	10	10	10
강철/ 목재에 사용시 최대					
드릴링 능력	mm	10/30	10/25	10/25	10/22
중량 (배터리팩 제외)	kg	1.1	1.1	1.1	1.1
L <sub>PA</sub> (음압)	dB(A)	76	75	75	74
K <sub>PA</sub> (음압 불확실도)	dB(A)	3	3	3	3
L <sub>WA</sub> (음향파워)	dB(A)	84	83	83	83
K <sub>WA</sub> (음향파워 불확실도)	dB(A)	3.3	3.3	3.3	3.3

EN 60745-1, EN 60745-2-1, EN 60745-2-2에 따라 정한 진동 총값 (공간 벡터합)

ah=	m/s <sup>2</sup>	1.7	1.6	1.6	1.5
K=	m/s <sup>2</sup>	1.5	1.5	1.5	1.5

ah=	m/s <sup>2</sup>	1.3	1.2	1.2	1.1
K=	m/s <sup>2</sup>	1.5	1.5	1.5	1.5

상기의 진동 방출 수준은 EN 60745의 표준 시험에 따라 측정했으며, 전동공구를 다른 전동공구와 비교하는데 이용할 수 있습니다. 노출에 대한 예비 평가에도 이용할 수 있습니다.



**경고:** 연명한 진동 방출 수준은 본 전동공구의 주용도를 나타냅니다. 그렇지만, 전동공구를 다른 용도로 사용하거나 다른 부속품을 사용하거나, 잘못 관리하면, 이 진동 방출 수준은 달라질 수 있습니다. 전체 작업 기간 동안 노출 수준이 상당히 증가할 수 있습니다.

전동공구의 스위치를 끌 때나 작동 중이지만 실제로 작업을 하지는 않을 때, 진동에 대한 노출 수준의 추정치 시간 또한 고려해야 합니다. 이는 전체 작업 기간 동안 노출 수준을 상당히 줄여줄 수 있습니다.

전동공구와 부속품을 관리하고, 손을 따뜻하게 유지하고, 작업 패턴을 조직화 하는 등 진동의 영향으로부터 사용자를 보호하기 위한 추가의 안전 수칙을 확인하십시오.

배터리팩	DE9062	DE9074	DE9071	DE9501	
배터리 종류	NiCd	NiCd	NiCd	NiMH	
전압	V	9.6	12	12	12
용량	Ah	1.3	1.3	2.0	2.6
중량	kg	0.42	0.5	0.65	0.58

배터리팩	DE9502	DE9091	DE9140	DE9141	
배터리 종류	NiMH	NiCd	Li-Ion	Li-Ion	
전압	V	14.4	14.4	14.4	
용량	Ah	2.6	2.0	2.0	1.1
중량	kg	0.82	0.84	0.58	0.37

충전기	DE9116	DE9118	DE9135	
배터리 종류	NiCd/ NiMH	NiCd	NiCd/NiMH/ Li-Ion	
주 공급전압	V <sub>Ac</sub>	230	230	230
충전시간	min	40 (2, 0 Ah 배터리팩)	60 (2, 0 Ah 배터리팩)	40 (2, 0 Ah 배터리팩)
중량	kg	0.4	0.9	0.52

**안전수칙**

주의! 전동공구를 사용할 경우, 귀국에서 적용한 안전법규를 수시로 준수하여 화재, 신체 상해, 설비 파손, 감전을 일으킬 수 있는 위험을 방지합니다.

아래 경고중의 “전동공구” 는 모두 귀하의 주 공급전원에 의해 전기 공급되는(코드 있음) 전동공구 또는 충전식(코드 없음)전동공구를 가리킵니다.

본 설명서를 잘 보관하여 수시로 참조할 수 있도록 하십시오.

**1 작업장**

- a 작업장의 청결을 유지하고 수시로 말끔하고 환하게 합니다. 작업지역과 작업장이 어지럽거나 어두워져 있으면 사고가 일어나기 쉽습니다.
- b 불에 잘 타는 액체, 기체나 먼지가 존재하는 환경에서 기구를 사용해서는 안됩니다. 기구에서 생긴 불꽃이 먼지와 기체에 불을 붙이게 할 수 있습니다.
- c 전동공구를 사용하여 작업할 때 작업장에 어린이와 견학자가 출입하지 않도록 합니다. 정신이 분산되면 기구를 효과적으로 제어할 수 없게 됩니다.

**2 전기안전**

- a 전동공구의 플러그에 반드시 알맞은 콘센트를 사용해야 합니다. 플러그를 함부로 고치지 말아 주십시오. 접지 전동공구에 어댑터 플러그를 사용하지 말아 주십시오. 플러그를 고치지 않고 알맞은 콘센트를 사용하면 감전이 발생하는 위험을 방지할 수 있습니다.
- b 신체를 접지한 표면과 접촉시켜서는 않습니다. (예를 들면 도판, 방열기, 취사도구 및 냉장고). 신체가 접지되면 감전을 일으키는 위험이 커집니다.
- c 기구를 비바람에 노출하거나 녹녹한 환경에 두어서는 안됩니다. 빗물이 전동공구에 들어가면 감전의 위험이 커집니다.
- d 코드를 남용해서는 안됩니다. 코드만 잡고 플러그를 콘센트에서 잡아당기거나, 제품을 들지 마십시오. 코드를 불, 기름, 날카로운 물품 혹은 작동 중인 부품에 닿지않게 하여 주십시오. 코드가 파손되거나 감기면 감전의 위험이 커집니다.

- e 실외에서 제품을 사용할 경우, 실외 전용이거나 규격에 맞는 연장케이블을 사용해야 합니다. 실외 전용 케이블을 사용하면 감전을 일으키는 위험이 작아집니다.

**3 신체안전**

- a 전동공구를 조작할 때 높은 경각심을 유지하며 상식에 따라 판단합니다. 피곤하거나 약품 ‘알코올’ 약물치료의 영향을 받고 있는 상황에서 전동공구를 사용해서는 안됩니다. 작업과정에서 조금이나마 주의하지 않으면 심각한 신체상해를 일으킬 수 있습니다.
- b 안전보호장치를 사용하되 필요 시 안전안경을 써야 합니다. 적당한 상황에 방진 마스크, 미끄럼 방지용 안전구두, 안전 모자 혹은 청력보호장치 등 안전장치를 사용하면 신체상해의 위험을 낮출 수 있습니다.
- c 제품이 의외로 작동하는 것을 방지합니다. 전원을 넣기 전에 제품의 스위치가 꺼졌는가 확인해야 합니다. 제품을 휴대할 때 손을 스위치 위에 놓거나 스위치가 켜진 상태에서 전원을 넣으면 사고가 발생할 수 있습니다.
- d 제품을 작동하기 전 반드시 조정키와 스패너를 제품에서 제거하십시오. 스패너 혹은 조정키가 전동공구의 회전부품 속에 남아있으면 신체상해를 일으킬 가능성이 있습니다.
- e 조작 거리를 넘어서는 안됩니다. 수시로 적당한 입각감과 신체평형을 유지합니다. 적당한 입각감과 신체평형은 의외의 상황에서도 제품이 쉽게 제어될 수 있게 합니다.
- f 옷차림은 간편하게 합니다. 헐렁한 옷을 입거나 장식품을 달지 말아 주십시오. 머리카락, 옷과 장갑을 회전부품에 가까이 하지 말아주십시오. 헐렁한 옷, 장식품 혹은 긴 머리카락은 회전부품에 감길 가능성이 있습니다.
- g 제품에 먼지 제거 혹은 먼지를 모을 수 있는 장치를 연결할 수 있으면 장치의 접촉상황을 확인하고 정확하게 조작합니다. 당해 장치를 사용하면 해로운 먼지 입자를 제거할 수 있습니다.

4 전동공구의 사용과 보수

- a 용도에 맞지 않는 제품을 억지로 사용하지 말아 주십시오. 용도에 맞게 적당한 제품을 선택하여 주십시오. 적당한 제품은 규정한 범위 내에 안전하게 작동할 수 있습니다.
- b 기구의 스위치를 켜거나 끌 수 없을(스위치 실효)경우, 전동공구를 사용하지 말아 주십시오. 스위치가 잘 제어되지 못하면 위험하므로 반드시 수리해야 합니다.
- c 제품정비' 부품교체, 혹은 보관할 때, 제품의 플러그를 콘센트에서 뽑아주십시오. 이런 안전 조치는 제품의 의외 작동을 방지할 수 있습니다.
- d 사용하지 않는 제품은 반드시 어린이의 손에 닿을 수 없는 곳에 두어야 하며 제품에 대해 익히 알지 못하거나 그 사용방법을 파악하지 못한 사람은 전동공구를 사용하지 말아 주십시오. 훈련을 거치지 않고 기구를 사용하면 위험을 일으킬 수 있습니다.
- e 제품을 조심하여 보수해야 합니다. 회전부품의 걸림이나 열라인먼트 상의 이상, 부품의 파손 및 전동공구의 작동에 영향을 주는 여러 경우에 관해 검사를 합니다. 기구가 파손되면 사용하기 전에 수리해야 합니다. 기구가 잘 보수되지 못하면 사고를 일으킬 수 있습니다.
- f 절단 공구의 날카로움과 정결을 유지합니다. 잘 보수되고 예리한 칼날이 있는 바이트가 걸리는 가능성이 작으며 쉽게 제어될 수 있습니다.
- g 사용방법설명 및 특수 전동공구의 요구에 맞춰 작업환경 및 작업조건을 고려하여 전동공구' 액세서리와 절삭공구 등을 사용합니다. 적당하지 않은 공구를 사용하여 작업하면 위험을 일으킬 수 있습니다.

5 배터리의 사용과 보수

- a 배터리 팩을 넣기 전에 스위치가 닫아졌는가 검사합니다. 스위치가 열린 전동공구 속에 배터리 팩을 넣으면 사고가 일어날 수 있습니다.
- b 배터리는 반드시 부대 충전기를 사용하여 충전해야 합니다. 각 종류의 배터리 충전기는 통용되지 않기 때문에 부대 충전기 외의 충전기를 사용하면 화재를 일으킬 수 있습니다.
- c 반드시 규정된 배터리를 사용해 주십시오. 기타 배터리 팩을 사용하면 손상되거나 화재를 일으킬 수 있습니다.

- d 배터리 팩을 사용하지 않을 때 종이 클립' 동전' 열쇠' 못' 나사 혹은 배터리 팩의 두 전극을 연결할 수 있는 금속품에서 멀리해 주십시오. 배터리의 전극이 단락 되면 화상을 입거나 화재를 일으킬 수 있습니다.
- e 배터리가 과도 사용되면 액체가 분사되는데 그 액체에 접촉하지 말아 주십시오. 접촉되면 즉시 깨끗한 물로 씻어야 합니다. 액체가 눈 속에 들어가면 치료를 받아야 합니다. 배터리 속에 분사된 액체는 피부를 자극하거나 화상을 일으킬 수 있습니다.

6 보수

- a 수리는 정규 수리교육을 이수한 인원만이 할 수 있으며 정품 부품만을 사용하여 수리해야 합니다. 이렇게 하면 전동공구의 안전을 보장할 수 있습니다.

배터리 팩의 부가적 안전수칙



화재위험! 분리식 배터리 팩의 접촉점 금속에 단락이 생기지 않도록 해야 합니다. 접촉점에 배터리 캡이 없는 상태하에 배터리 팩을 저장해 두거나 휴대하지 말아 주십시오.

- 배터리의 배터리 액은 25-30%수산화 칼륨이 포함된 용액이며 독성을 갖고 있습니다. 배터리 액이 피부에 묻었을 경우 즉시 물로 씻고 레몬산 혹은 초산 등 약한 산으로 중화하여 주십시오. 만약 배터리 액이 눈에 튀었을 경우 반드시 깨끗한 물로 10분 이상 씻어야 하며 의사한테 자문해야 합니다.
- 어떤 상황에서도 배터리 팩을 열지 말아 주십시오.

충전기와 배터리 팩 위의 라벨

본 매뉴얼에서 사용된 표식 이외 충전기와 배터리 팩에는 아래와 같은 표식이 있습니다.



배터리 충전 중



배터리 충전완료



배터리 이상



전도성 물체에 접촉시키지 말아 주십시오



파손된 배터리 팩을 충전하지 말아 주십시오



사용하기 전에 먼저 매뉴얼을 읽어 보십시오



디월트 배터리 팩만 사용하여 주십시오. 기타 배터리 팩을 사용하면 폭발하여 신체상해를 일으키거나 제품이 파손될 가능성이 있습니다.



물에 접촉시키지 말아 주십시오



하자가 발견된 코드는 즉시 교체해 주십시오



4°C~40°C의 환경 속에서 충전하여 주십시오



배터리를 폐기할 때 환경보호에 주의하십시오



배터리에 불을 붙이지 말아 주십시오

## 패키지 내용물

본 제품의 패키지에는 다음과 같은 것이 있습니다.

- 충전식 드릴/드라이버 1대
- 충전기 1대
- 배터리 팩 2개
- 드라이버 비트 1개
- 공구 상자(K형 만) 1개
- 사용설명서 1권

- 운송중 제품, 부품, 악세서리에 손상이 있는지 확인하십시오.
- 제품 사용 전 설명서를 충분히 읽고 사용하시기 바랍니다.

## 그림 설명(그림 1)

귀하께서 선택하신 DC740/DC750형 충전식 드릴/드라이버는 전문적인 드릴과 스크류 드라이빙에 사용할 수 있습니다.

- a 변속 스위치
- b 정회전 / 역회전 스위치
- c 키투스 축
- d 모드 선택/토크 조정 장치
- e 고리 설정
- f 2단 기어 선택
- j 환기 슬롯
- h 손잡이
- i 배터리 팩

## 충전기

DE9116 충전기는 7.2V~18V의 디월트 NiCd 및 NiMH 배터리팩을 충전할 수 있습니다.

DE9118 충전기는 7.2V~14.4V의 디월트 NiCd 배터리팩을 충전할 수 있습니다.

DE9135 충전기는 7.2V~18V의 디월트 NiCd 및 NiMH, Li-ion 배터리팩을 충전할 수 있습니다.

이 충전기들은 조정할 필요가 없으며, 가능한 한 작동하기 쉽도록 고안되었습니다.

- i 배터리 팩
- j 탈착 버튼
- k 충전기
- l 충전 표시등(적색)

## 전기 안전

전기 모터는 단 하나의 전압 하에서 사용되도록 고안되었습니다. 제품에 표시된 전압과 항상 일치되는지 확인 하시기 바랍니다. 동시에 충전기의 전압이 주 공급전압과 일치한 지 검사합니다.



본 제품은 EN 60745표준에 따라 이중절연이 있습니다. 따라서 접지선이 요구되지 않습니다.

### 연장 케이블 사용

필요가 없으면 될 수 있는 한 연장 케이블을 사용하지 말아 주십시오. 연장 케이블을 사용하려면 충전기 입력전압에 적당한(기술 자료 참조) 연장케이블을 사용해야 합니다. 도체의 최소 절단면적은 1mm<sup>2</sup> 이고 최대 길이는 30m입니다.

### 조립 및 정비



- 조립 및 정비 전에는 반드시 배터리 팩을 빼내야 합니다.
- 배터리 팩을 넣거나 빼기 전에 공구의 전원을 끊어 주십시오.



디월트 배터리 팩과 충전기만 사용해 주시기 바랍니다.

### 배터리 팩(그림 2&3)

#### 충전 절차



**경고:** 감전사의 위험이 있습니다. 단말기에 230V가 표시되어 있습니다. 전도체로 시험하지 마십시오. 감전이나 감전사의 위험이 있습니다.

1. 배터리 팩을 넣기 전에 충전기(k)를 적절한 콘센트에 꽂습니다.
2. 배터리 팩을 충전기에 넣습니다. 붉은 빛(충전 중)이 계속 깜빡거리며 충전이 시작되었음을 알려줍니다.
3. 충전이 완료되면 붉은 빛은 계속 켜져 있습니다. 배터리 팩이 다 충전되면 사용하거나 충전기에서 뺄 수 있습니다.

#### 충전 과정

배터리 팩의 충전 상태는 아래 표를 참고하십시오.

충전 상태	
충전 중	— — — — —
충전 완료	=====
냉/온 팩 딜레이	— — — — —
배터리 팩 교체	••••••••••••••
문제	••••••••••

### 자동 충전(Refresh) (DE9116, DE9135에만 적용)

자동 충전모드는 각각의 전지가 최대 충전이 되도록 똑같이 균형을 맞춰줍니다. 배터리 팩은 매주 혹은 전과 같이 작업을 수행하지 못할 때에 충전해야 합니다. 배터리 팩을 충전하려면, 평소와 같이 배터리를 충전기에 꽂습니다. 배터리 팩을 최소한 8시간 동안 충전하십시오.

### 냉/온 팩 딜레이 (DE9116, DE9135)

충전기가 너무 뜨겁거나 너무 차가운 배터리를 감지하면, 냉/온 팩 딜레이가 자동으로 작동하여 배터리가 적당한 온도가 될 때까지 충전하지 않습니다. 그런 다음, 자동으로 스위치가 켜져서 충전모드가 됩니다. 이러한 특징으로 배터리 수명을 최대로 할 수 있습니다.

### 과방전 방지

전동공구에 사용할 때, 배터리팩은 과방전이 되지 않습니다.

### 모든 배터리 팩을 위한 중요한 안전수칙

교체용 배터리팩을 주문했을 때, 카탈로그 번호와 전압이 포함되어 있는지 확인하십시오. 충전기와 배터리팩이 맞는지 본 사용설명서 하단의 표를 참고하십시오.

배터리팩이 충전기와 맞지 않으면 완전히 충전되지 않습니다. 배터리팩과 충전기를 사용하기 전에, 아래 안전지침을 읽으십시오. 그런 다음, 충전 절차를 따르십시오.

### 모든 지침을 읽으십시오.

- 가연성 액체나 기체, 먼지 등 폭발성 대기에서 충전하거나 배터리를 사용하지 마십시오. 충전기에서 배터리를 제거나 넣을 때 먼지나 연기에 불이 붙을 수 있습니다.
- 디월트 충전기로만 본 배터리팩을 충전하십시오.
- 물이나 기타 액체가 튀거나 들어가지 않도록 하십시오.
- 전동공구와 배터리팩을 40 ° C (105 ° F) 가 넘는 곳(여름에 창고 외부나 금속 빌딩 등)에 보관하거나 사용하지 마십시오.



**위험:** 감전사 위험. 어떤 이유로든 배터리팩을 절대 열려고 하지 마십시오. 배터리 팩 케이스가 깨지거나 손상되었다면, 충전기에 넣지 마십시오. 손상된 배터리팩은 재활용을 위해 서비스센터로 반환해야 합니다.



**경고:** 어떤 이유로든 배터리팩을 절대 열려고 하지 마십시오. 배터리 팩 케이스가 깨지거나 손상되었다면, 충전기에 넣지 마십시오. 배터리 팩을 뜯개거나 떨어뜨리거나 손상시키지 마십시오. 날카로운 물건이 닿거나 떨어뜨리거나, 어떤 방법으로든 손상된 (못이 박히거나 망치로 치거나, 밟거나 등) 배터리 팩이나 충전기를 사용하지 마십시오. 손상된 배터리팩은 재활용을 위해 서비스센터로 반환해야 합니다.



**주의:** 사용하지 않을 때에는, 걸려넘어지거나 날아갈 위험을 야기하지 않도록 안전한 곳에 놓여 두십시오. 대형 배터리팩이 있는 일부 전동공구는 배터리 팩을 위로 향하게 하여 세울 수 있지만, 쉽게 넘어질 수 있습니다.

## 니켈 카드뮴(NiCd)이나 니켈 메탈 하이드라이드(NiMH)에 대한 특별 안전 지침

- 배터리팩이 심각하게 손상되었거나 완전히 닳은 경우에도 소각하지 마십시오. 배터리팩이 폭발할 수 있습니다.
- 과도하게 사용하거나 특정 온도 하에서 배터리팩 전지에서 소량의 액체가 누출될 수 있습니다. 이는 잘못된 것이 아닙니다.

## 그렇지만, 외부가 깨진다면

- 배터리 액체가 피부에 닿으면 즉시 비누와 물로 몇 분 동안 닦아내십시오.
- 배터리 액체가 눈에 닿으면, 깨끗한 물로 최대 10분 동안 행구고 병원에 가십시오. (의료 노트: 이 액체는 수산화 칼륨 25-35% 용액입니다.)

## 리튬이온(Li-ion)에 대한 특별 안전 지침

- 배터리팩이 심각하게 손상되었거나 완전히 닳은 경우에도 소각하지 마십시오. 배터리팩이 폭발할 수 있습니다. 리튬이온 배터리팩을 태울 때 독성 연기나 물질이 발생합니다.
- 배터리 내용물이 피부에 닿으면 즉시 마일드 비누와 물로 그 부분을 닦아내십시오. 배터리 액체가 눈에 들어가면, 눈을 뜬 채로 15분간 혹은 자극이 없어질 때까지 물로 닦아내십시오. 의학적인 주의가 필요한 경우, 배터리 전해질이 액체 유기탄산염과 리튬염 혼합물로 구성되어 있습니다.
- 개방된 배터리 전지의 내용물은 호흡기에 자극을 줄 수 있습니다. 신선한 공기를 취하십시오. 증상이 계속 되면, 의학적인 조치를 구하십시오.



**경고:** 화재 위험. 배터리 액체가 스파크나 불꽃에 노출되면 탈 수 있습니다.

### 배터리 캡(그림 3)

배터리 캡은 분리식 배터리 팩의 접촉점을 보호하는 작용을 합니다. 배터리 캡을 덮지 않으면 드러난 금속물이 접촉점에 단락이 생기게 하고 화재를 일으키거나 배터리가 파손됩니다.

- 배터리 팩 (i) 을 충전기 혹은 전동공구 속에 넣기 전에 배터리 캡 (m) 을 엽니다.
- 배터리 팩을 충전기 혹은 전동공구 속에서 빼낸 후 즉시 배터리 캡을 덮어주십시오.



분리식 배터리를 보관하거나 휴대하기 전에 배터리 캡이 덮여졌는지 검사합니다.

### 드릴 비트의 삽입과 해제(그림 4)

- 슬리브 (c) 를 시계반대 방향으로 회전하여 척을 열고 드릴 비트 생크를 삽입합니다.
- 드릴 비트를 척 속에 넣어 힘껏 내리 누르고 조이기 전에 위로 약간 당깁니다.
- 시계 방향으로 슬리브를 회전하여 척을 조입니다.
- 드릴 비트를 풀 때 반대 순서대로 조작하면 됩니다.

작업모드 선택과 토크의 조절(그림 5)

전동공구의 제어 고리는 15개 위치로 토크를 조절할 수 있으며 나사 구멍의 크기와 가공하고자 하는 재료에 따라 적당한 선택을 할 수 있습니다. 토크조절에 대한 상세한 정보는 “스크류 드라이빙”의 내용을 참조해 주시기 바랍니다.

- 제어 고리(e) 위의 표기 혹은 숫자를 틀 위의 지시기 (o) 에 맞춰 드릴 모드 혹은 토크를 선택합니다.

정회전/역회전 스위치(그림 6)

- 정회전 혹은 역회전을 선택할 경우 그림과 같은 정회전/역회전 스위치(b) (전동공구 위의 화살표를 참조)를 사용해야 합니다.



엔진이 완전히 멈춘 후 회전방향을 변경할 수 있습니다.

2단 기어 선택기(fig. 7)

전동공구에 2단 기어 선택기(f) 가 설치되어 속도/토크를 변경할 수 있습니다.

- 1 단은 저속/큰 토크(큰 구멍을 뚫는다, 스크류 드라이빙)
- 2 단은 고속/작은 토크(작은 구멍을 뚫는다)

속력에 대해서는 기술 자료를 참조해 주시기 바랍니다.



- 2단 기어 선택기를 완전히 정회전 방향 혹은 역회전 방향으로 밀어야 합니다.
- 전속력 작동 혹은 작업 중에 모드를 변경하지 말아 주십시오.

사용 지침



항상 설명서의 규정을 엄격히 준수하시기 바랍니다.



도관 작업과 배선의 위치에 주의하기 바랍니다.



제품에 너무 큰 압력을 가하지 말아 주십시오. 압력이 너무 크면 드릴 작업을 가속할 수 없을 뿐만 아니라 도리어

전동공구의 성능을 낮춰 제품의 사용수명이 줄어듭니다.



작업이 끝나기 직전에 드릴 끝의 압력을 차츰차츰 감소해야 합니다. 이렇게 하면 완전히 뚫려질 때의 속도 이상을 최소화할 수 있습니다.



뚫려진 구멍에서 드릴 비트를 뺄 때 전기 모터는 회전상태를 유지해야 합니다. 이러면 드릴 비트가 걸리는 현상을 피할 수 있습니다.

조작하기 전 :

- 배터리 팩이 완전히 충전되었는가 확인합니다.
- 적당한 드릴 비트를 장착합니다.
- 드릴 할 곳에 표기합니다.
- 시계방향 혹은 반대 방향을 선택합니다.

스위치On/off(그림 6)

- 제품을 작동할 경우 변속스위치(a) 를 눌러 줍니다. 변속스위치에 가한 압력의 크기가 전동공구의 속도를 결정합니다.
- 구동을 멈출 시 스위치를 놓습니다.
- 제품을 off위치에 처해있게 할 경우 정회전/역회전스위치(b) 를 중앙위치에 이동시켜야 합니다.



변속스วิต치를 완전히 놓으면 전기 드릴에 장착한 제동 장치는 공구를 정지시킵니다.

스크류 드라이빙

- 스위치(b) 를 사용하여 시계방향 혹은 반대방향의 회전을 선택합니다.
- 제어 고리를 1호 위치에 놓고 스크류 드라이빙 (작은 토크)을 시작합니다.
- 클러치 래킷이 즉시 풀려지면 필요에 따라 제어 고리의 위치를 조절하여 토크를 크게 합니다.

드릴

- 제어 고리(e) 로 드릴 모드를 선택합니다.

철재 드릴

- 철재를 드릴을 할 때 질삭 윤활유를 사용해야 합니다. 단, 주철과 황동제품은 윤활유를 사용하지 않고 드릴 합니다.



**목재 드릴**

- 철재드릴에 쓰인 드릴을 사용하여 목재에 구멍을 뚫을 수 있습니다. 항상 드릴 비트를 뽑아내어 흙에서 부스러진 가루를 제거하지 않으면 드릴 비트에 과열현상이 나타날 수 있습니다.
- 보다 큰 구멍에 대해서는 나사 송곳 비트를 사용해 주시기 바랍니다.
- 가공 중 부품에 많은 부스러기가 튀겨나올 수 있으므로 뒤에 널빤지로 막아주십시오.

세부적인 액세서리에 관한 문의는 판매 딜러와 상의하시기 바랍니다.

**유지 및 보수**

디월트 전동공구는 성능이 우수하고 장기적으로 사용할 수가 있어 매우 적은 유지보수만 요구됩니다. 연속적이고 만족스러운 사용을 위해서는 적당한 보수와 정기적인 청소가 요구됩니다.



**윤활**  
본 제품은 추가적인 윤활 작업이 필요없습니다.



**청결**

- 충전기 전원을 끄고 부드러운 천을 사용하여 제품의 표면을 닦아주시기 바랍니다.
- 전동공구를 청소하기 전에 배터리 팩을 빼주십시오.
- 통풍구의 청결을 유지하고 부드러운 천을 사용하여 정기적으로 닦아주시기 바랍니다.



환경을 보호하며 종류에 따라 회수합니다. 본 제품을 보통 생활 쓰레기와 함께 처리해서는 않습니다.

디월트 제품을 교체할 필요가 있거나 쓸모가 없다고 여길 때 그것을 생활 쓰레기와 함께 처리하지 마시고 단독으로 회수할수 있게끔 해 주십시오.



남은 제품과 패키지를 종류대로 회수하면 재료의 재순환과 재이용에 이롭습니다. 재순환 재료의 재이용은 환경오염을 방지하고 원료소비를 감소시킬수 있습니다.

나라에 따라, 가정에서 전기제품을 회수하는 별도의 규정을 가지고 있을 수 있습니다.

제품이 작업수명에 도달했을 경우 디월트는 회수와 재이용과 관련된 설비를 제공해 드립니다. 이런 서비스를 충분히 활용하시려면 위임 받은 수리 대리점에게 연락하여 대리점이 본 회사 대신에 낡은 제품을 회수하겠습니다.

본 설명서의 주소대로 현지의 디월트 센터와 연락하여 제일 가까운 수리 대리점을 찾을 수 있습니다. 그 밖에 Internet 주소 [www.dewalt.co.kr](http://www.dewalt.co.kr) 에서도 디월트 수리 대리점, 애프터서비스 및 연락방식 등 상세한 정보를 얻을 수 있습니다.



**충전식 배터리 팩**

배터리가 간단한 작업에 충분한 동력을 주지 못할 경우 반드시 배터리를 충전시켜 수명을 연장해 주십시오. 배터리 팩의 기술적 수명이 끝나 버릴 경우 환경보호에 주의해 주시기 바랍니다.

- 배터리의 전기량이 완전히 없어진 후에 공구에서 꺼내주십시오.
- 리튬이온(Li-Ion), 니켈카드뮴(Ni-Cd), 니켈수소(Ni-MH) 배터리는 중복적으로 재생 이용할 수 있습니다. 그것을 판매업자 혹은 현지의 회수점에 보내주시기 바랍니다. 회수된 배터리는 중복적으로 이용되거나 합리적으로 처리됩니다.

# 充电式起子电钻 DC733/DC740/DC750/DW907型

## 祝贺!

感谢您选择得伟工具。凭借多年的经验以及全面的产品开发与创新，得伟已成为专业电动工具用户最可靠的伙伴之一。

## 技术参数

		DC733	DC740	DW907	DC750
电压	V	14.4	12	12	9.6
空载速度					
第一档	min <sup>-1</sup>	0-400	0-350	0-350	0-300
第二档	min <sup>-1</sup>	0-1,300	0-1,200	0-1,200	0-1,100
最大扭矩	Nm	30	26	21	20
夹头能力	mm	10	10	10	10
钢材/木材最大					
钻孔能力	mm	10/30	10/25	10/25	10/22
重量(无电池组)kg		1.1	1.1	1.1	1.1
L <sub>PA</sub> (声压)	dB(A)	76	75	75	74
K <sub>PA</sub> (声压误差)	dB(A)	3	3	3	3
L <sub>WA</sub> (声功率)	dB(A)	84	83	83	83
K <sub>WA</sub> (声功率误差)	dB(A)	3.3	3.3	3.3	3.3

总振幅(三轴矢量之和)根据 EN60745-1、EN60745-2-1 和 EN60745-2-2 标准测定

在低碳钢中钻孔

ah=	m/s <sup>2</sup>	1.7	1.6	1.6	1.5
误差	m/s <sup>2</sup>	1.5	1.5	1.5	1.5
k=					
在无冲击作用下拧紧螺钉					
ah=	m/s <sup>2</sup>	1.3	1.2	1.2	1.1
误差	m/s <sup>2</sup>	1.5	1.5	1.5	1.5
k=					

本资料中的振动振幅是按照 EN60745标准所述的标准测试方法测定的，可以用来比较不同工具的振动程度。该值可以用来初步评价工具的振动危害。

**警告：**这里给出的振动振幅仅反映工具在主要用途中的振动程度。然而，如果工具用于不同用途，使用了不同附件或者工具没有维护好，其振幅值可能不同。这些情况可能会工具整个使用期间逐渐显露。

在评估振动时，还应考虑工具的停机时间以及空载运行时间，这些情况可能会显著减弱工具整个使用期间的振动。

还可以寻求其它安全措施，以保护操作人员，使其免受振动影响。例如，维护工具和附件，手部保暖，合理安排作业时间。

电池组	DE9062	DE9074	DE9071	DE9501
电池类型	NiCd	NiCd	NiCd	NiMH
电压	V	9.6	12	12
性能	A	1.3	1.3	2.0
重量	kg	0.42	0.5	0.65

电池组	DE9502	DE9091	DE9140	DE9141
电池类型	NiMH	NiCd	Li-Ion	Li-Ion
电压	V	14.4	14.4	14.4
性能	Ah	2.6	2.0	2.0
重量	kg	0.82	0.84	0.58

充电器	DE9116	DE9118	DE9135
	NiCd/ NiMH	NiCd	NiCd/NiMH /Li-Ion
电源电压	Vac	230	230
大约			
充电时间	min	40 (2.0 Ah 电池组)	60 (2.0 Ah 电池组)
		40 (2.0 A 电池组)	
重量	kg	0.4	0.9

## 安全总则

**警告！** 请仔细阅读本手册的全部指令。如未能遵守下列所有指令，则可能会导致电击、火灾和/或严重的人身伤害。下文所有警告中的“电动工具”一词指您的电网电源供电的(有绳)电动工具或充电式(无绳)电动工具。

请保管好本手册。

### 1 工作区

- a 保持工作区洁净、整洁、明亮。工作区或操作台如杂乱或昏暗，可能会引发事故。
- b 切勿在有易燃液体、气体或灰尘的炸性环境中使用工具作业。工具所产生的火花可能会点燃这些灰尘和气体。
- c 在使用电动工具作业时，请勿让儿童和旁观者在工作区附近逗留。分心可能导致工具的失控。

### 2 电气安全

- a 电动工具的插头必须与电源插座相匹配。请勿对插头做任何形式的修改。对于接地电动工具，请勿使用转接插头。不改装插头并采用匹配的插座会降低遭电击的风险。
- b 禁止身体的任何部分同接地的表面(例如管道、暖气片、厨具、冰箱等)接触。如果身体接地，遭受触电的风险会增加。
- c 请勿将工具暴露在雨中或潮湿环境中。雨水进入电动工具会增加电击的风险。
- d 切勿滥用电源线。坚决禁止用电源线提拉工具或用电源线从电源插座上直接拖拽下工具插头。电源线必须远离高温、油、锋利物品或运动部件。电源线的损坏或缠绕会增加触电的风险。
- e 如果在室外使用电动工具作业，请使用适合于室外使用的延长电线。采用适合于室外使用的电缆可以降低触电风险。

### 3 人身安全

- a 在操作电动工具时，请保持高度警惕，密切关注您所做的事情并运用您的经验常识。在疲劳时，或者如在药品、酒精、药物治疗的影响下，请勿使用本电动工具。在操作电动工具时，稍不留神就可能会导致严重的人身伤害。
- b 使用安全防护装置。必须时刻佩戴护目装置。在适当情况下，使用诸如防尘面罩、防滑安全鞋、安全帽或听力保护装置之类的安全装置可降低人身伤害的风险。
- c 避免意外启动。必须确保在插头插入之前开关处于关闭状态。在拿电动工具时，如果手指放在开关上，或将开关处于开启状态的电动工具插在电源上，可能会引发事故。
- d 在启动电动工具之前必须首先取下定位键或扳手。如果扳手或钥匙遗留在电动工具的转动部件中，可能会导致人身伤害。
- e 不要超越操作距离。任何时刻都必须保持平衡，有稳定的立足点。恰当的立足点和平衡能够让您在意外情况下可以更好的控制电动工具。
- f 合理着装。请勿穿着宽松服装或者佩戴首饰。必须确保您的头发、衣服和手套远离转动部件。宽松服装，首饰或长发可能会被转动部件卷住。
- g 如果电动工具配备了装置来连接吸尘和集尘设施，应确认这些装置都已连接好并能进行正确的操作。使用这些装置可以减少有危害性的粉尘。

### 4 动力工具的使用和维护

- a 请勿强行使用不合适的电动工具。请根据您的应用场合选择恰当的电动工具。恰当的电动工具能够在设定的额定值下，更好更安全的完成作业。
- b 如果工具的开关不能打开或关闭(即开关失效)，那么请勿使用该电动工具。无论什么电动工具，如果开关无法控制，那都是相当危险的，必须进行修理。

- c 在进行调整、更换附件或存放电动工具之前，请将电动工具的插头从电源插座中拔开。这种预防性安全措施可以降低电动工具意外启动的风险。
- d 闲置的电动工具，必须放置在儿童接触不到的地方，而且禁止不熟悉该电动工具或不熟悉此类用法说明的人使用该电动工具。未经过培训的使用者使用工具是一件非常危险的。
- e 必须小心维护电动工具。检查转动部件是否卡住、有无对准，部件是否有破损情况以及是否有可能影响电动工具操作性能的其它情况存在。如果工具有损坏情况，请在使用之前先将工具修理好。许多事故都是由于工具维护不当所造成的。
- f 必须对切割刀具进行维护，使其锋利干净。经过妥善维护、具有锋利切削边的刀具被卡住的可能性更小，并且更容易被控制。
- g 请按照此类用法说明以及电动工具特殊型号的特定要求并结合考虑工作环境及所需作业情况来使用电动工具、附件和工具刀头等。使用不恰当的工具来进行作业，可能会导致危险情况发生。

## 5 电池的使用和维护

- a 在嵌入电池包之前，请确保开关处于闭合状态。如果将电池包嵌入开关处于打开状态下的电动工具中，那么会引发事故。
- b 只能使用制造商指定的充电器来充电。适合这类型号电池的充电器并不一定适合其它型号的电池，如强行使用不配套的充电器，可能会引发火灾。
- c 电动工具只能使用明确规定的电池包。使用其它电池包可能会造成损伤和火灾。
- d 如果电池包未处于使用状态，那么请将其远离于诸如回形针、硬币、钥匙、钉子、螺钉之类的或其它可将一个电极与另一个电极相连的金属物品。蓄电池电极短路可导致灼伤或火灾。

- e 在电池被过度使用的情况下，可能会有液体从电池中喷射出来，切勿与之接触。如发生意外接触情况，用清水冲洗。如液体溅入眼中，还要另外寻求医疗帮助。电池中喷射出的液体可能会引起皮肤刺激或灼伤。

## 6 维护

- a 本电动工具必须由合格的维护人员采用相同的替换部件进行维护。这样会确保电动工具的安全性得到保障。

### 针对电池包的附加特定安全说明



火灾危险！切勿将金属物品与被拆除电池包的接点接触，造成短路。如果电池包接点上的电池帽没有盖上，那么请勿存储或携带该电池包。

- 蓄电池的电解液为25-30%的氢氧化钾溶液，具有毒性。如与之有皮肤接触，请立即用清水冲洗。然后用柠檬酸或醋酸之类的弱酸进行中和。如果与之有眼部接触，那么用清水进行至少10分钟的冲洗。然后向内科医生求助。
- 无论出于什么考虑，切勿试图打开电池包。

### 充电器和电池包上的标志

除了本手册所使用的标志以外，充电器和电池包上的标志具有如下意思：



电池正在充电



电池充电完毕



电池不合格



请勿用导电物品接触



请勿给已损坏的电池包充电



使用前请阅读用法说明书



只能使用得伟牌电池包，其它电池可能会爆裂，导致人身伤害和设备损坏



请勿与水接触



不合格的导线必须立即更换



只能在4°C至40°C之间的温度条件下充电



请爱护环境，正确处置废弃电池包



请勿焚烧电池包

## 套装内容

该产品套装包括：

- 1部充电式起子电钻
- 1个充电器
- 2个电池包
- 1个螺丝起子钻头
- 1个工具箱(仅K型号)
- 1个使用说明书

- 请仔细查看工具、部件和配件，确认其在运输途中是否有损伤。
- 在使用工具前，请耐心阅读、悉心理解本手册。

## 图表描述(图1)

您所购买的 DC733/DC740/DC750 型号充电式起子电钻用于专业的钻孔和旋螺丝应用场合。

- a 无级变速开关
- b 正向/反向滑块
- c 自紧式钻夹头
- d 模式选择器/转矩调整环
- e 环设置
- f 两个变速杆
- g 通风槽
- h 把手
- i 电池包

## 充电器

DE9116型充电器可以为7.2 V – 18V得伟镍镉电池和镍氢电池组充电。

DE9118型充电器可以为7.2V – 14.4V得伟镍镉电池组充电。

DE9135型充电器可以为7.2V – 18V镍、镍氢或锂离子电池充电。

这些充电器不需要作调整，设计时考虑到了尽可能操作方便。

- i 电池包
- j 释放按钮
- k 充电器
- l 充电指示灯(红色)

## 电气安全

该电机只有一种工作电压。请确认电池包电压同铭牌上所标的电压一致。此外液必须确认充电器电压与电网电源的电压一致。



您的得伟牌充电器根据EN 60745标准双重绝缘，(因此不需要地线)。

## 使用延长线缆

除非有绝对需要，否则切勿使用延长线缆。如果需要使用延长线缆，请使用符合该充电器（参见技术资料）输入功率要求的经核准的延长线缆。导线的最小横截面积为1平方毫米，最大长度为30米。

## 安装与调试



- 在安装和调试之前，必须记得卸下电池包。
- 在嵌入或卸下电池包之前，必须记得关闭工具。



只能使用得伟牌电池包和充电器。

## 电池包(图2&3)

### 充电程序



**危险：**充电端子带230V电压。不要用导体物体接触这些端子。否则，会发生触电或电击危险。

- 装入电池组之前，将充电器（K）插入适当插座。
- 将电池组装入充电器。红灯（充电指示灯）持续闪烁，表明充电过程已经开始。
- 如果红灯长亮，说明充电完毕。电池组已充满了电。这时，可以投入使用或者将其置留在充电器上。

### 充电过程

#### 电池组充电状态参照表

充电状态	
正在充电	-----
充电完毕	—————
高/低温电池延迟充电	— — — — —
请更换电池组	●●●●●●●●
充电故障	●●●●

## 自动放电

### (只适用于DE9116和DE9135型号)

自动放电模式将让电池组中的单个电池将达到或接近最大容量。电池组应每周放电一次，或者，当电池组无法提供通常多的电量时，就要放电一次。让电池组放电时，象通常一样将电池装入充电器即可。电池组在充电器中置留的时间不得少于8小时。

## 高/低温电池延迟充电

### (只适用于DE9116和DE9135型号)

如果充电器感知到电池温度过高或过低，它会自动启动“高/低温电池延迟充电”功能，暂停充电，直至充电器达到适当温度。然后，充电器自动切换回充电模式。这一功能可以确保电池最长的使用寿命。

## 深度放电保护

电池在工具中使用，电池组具有防深度放电功能。

## 电池组一般安全注意事项

订购更换电池组，务必提供样本中的编号和电压规格。关于充电器和电池组的兼容性，请查看本手册最后所附图表。包装箱中的新电池没有充满电。使用电池组和充电器前，阅读以下安全注意事项。然后，按照所述的充电程序充电。

## 阅读所有注意事项

- 不要在有可燃液体、气体或粉尘存在的爆炸性环境中充电或使用电池。在充电器中装入或取出电池可能会引燃粉尘，产生烟雾。
- 只能使用得伟充电器给电池组充电。
- 不要将水或其它液体溅到电池组上，也不得将电池组浸入水或其它液体中。
- 不要在温度可能达到或超过40°C (105 °) (例如夏季在室外棚屋或金属结构的建筑物内) 存放或使用工具和电池组。



**危险：**在任何情况下切勿试图打开电池组。如果电池组箱体开裂或被损坏，不要装入充电器。否则，可能会发生触电或电击。被损坏的电池组应退回维修中心，以便回收处理。



**警告：**在任何情况下切勿试图打开电池组。如果电池组箱体开裂或被损坏，不要装入充电器。不要挤压、坠落或损坏电池组。如果电池组或充电器已受到猛烈敲击、被坠落、碾压或受到任何形式的损坏（例如，被钉子穿刺、受到锤头打击、被踩踏），则不得使用这些电池组或充电器。被损坏的电池组应退回维修中心，以便回收处理。



**注意：**闲置工具应平放于安全稳固的表面，避免绊或坠落危险。

一些工具的电池组外形尺寸较大，足以支撑工具使之直立，但这样可能容易被碰倒。

## 镍电池（NiCd）和镍氢电池（NiMH）特殊安全注意事项

- 即使被严重损坏或已完全报废，也不要焚烧电池组。电池组在火中会发生爆炸。
- 在极端使用条件或温度条件下，电池组中的电池可能会泄漏少量液体。这并不表示已发生了故障。

然而，如果外层密封已破坏：

- a. 若电池液体沾到皮肤上，应立即用肥皂水清洗数分钟。
- b. 若电池液体进入眼睛，用清水冲洗至少10分钟，然后，立即寻求医治。（医学提示：该液体为25–35%的氢氧化钾溶液。）

## 离子电池特殊安全注意事项

- 即使被严重损坏或已完全报废，也不要焚烧电池组。电池组在火中会发生爆炸。焚烧离子电池会产生有毒烟雾和有毒物质。
- 如果电池泄漏物沾到皮肤上，立即用中性肥皂水清洗接触部位。如果电池液体进入眼睛，则睁开眼睛，用清水清洗15分钟或直至刺激症状消失。如果需要寻求医治，电池电解质为有机碳酸溶剂和盐混合物。
- 电池被打开后，逸出物会刺激呼吸道。应呼吸新鲜空气。如果症状不消退，则寻求医治。



**警告：**火灾危险。电池液体遇火花或火焰可以燃烧。

## 电池帽(图3)

分开的电池包配备有一个保护性的电池帽来盖住其触点。如果该保护帽没有到位，那么松散的金属物品可能会导致触点短路，引起火灾，损坏电池包。

- 在将电池包(i)放入充电器或电动工具之前必须先取下保护帽(o)。
- 一旦从充电器或电动工具内取出电池包，必须立即给触点盖上保护帽。



在存储或携带分开的电池包之前，必须确认保护帽已经到位。

## 嵌入和取下钻头

- 逆时针转动套管(n)，打开夹头，然后嵌入钻头顶部接头。
- 将钻头按在夹头内，尽量往里按，然后在上紧之前先轻轻往上提一下。
- 顺时针转动套管，上紧夹头。
- 如欲取下钻头，请按照相反顺序操作。

## 选择作业模式或调节转矩(图5)

本电动工具的控制环有15种方位可用来调整转矩，使其适应螺孔尺寸和工件原料的要求。如欲了解转矩调节方面的信息，请参见“螺旋纹”该节内容。

- 将控制环(e)上的标记或数字和外壳上的指示器(o)对准，选定钻孔模式或转矩。

## 正向/反向滑块(图6)

- 如欲选择正向旋转或反向旋转，请使用如图所示的正向/反向滑块(b)(参见电动工具上的箭头)。



在改变旋转方向之前，必须等候电机完全停止转动为止。

## 双变速杆(图7)

您的电动工具配备了一个双变速杆(5)来改变速度/转矩比。

- 1 档为低速/高转矩(钻较大的孔, 旋螺纹)
- 2 档为高速/低转矩(钻较小的孔)

如欲了解速率, 请参考技术参数。



- 必须完全正向或反向推动双变速杆。
- 全速时或在作业时, 请勿改变排挡。

## 使用说明



请务必遵守安全说明和相关适用规则。



请注意管道工程和配线的部位。



请勿给工具施加过大压力。压力过大并不会加速钻孔作业的速度, 相反反而会降低工具的性能并可能会缩短工具的使用寿命。



在作业快结束时请逐步减少钻尖的压力, 这样在穿透时, 突然失速现象就会减少。



在从已钻好的孔中拔出钻头时, 电机必须仍然保持转动。这样就不会出现钻头被卡住的现象。

## 在作业之前:

- 首先确认您的电池包已经完全充好电。
- 嵌入恰当的钻头。
- 标号需钻孔的部位。
- 选定正向或反向旋转。

## 开关的打开和关闭(图b)

- 如欲启动工具, 请按下无级变速开关(a)。施加在无级变速开关上的压力大小决定了工具的速度。
- 如果要停止电动工具, 请松开开关。
- 如果要将在电动工具锁定在关闭状态, 请将正向/反向滑块(b)移到中间部位。



一旦无级变速开关被完全松开, 那么电钻所配备的制动闸就会停止工具的运转。

## 旋螺纹

- 请使用滑块(b)来选定正向旋转或反向旋转。
- 将控制环转到e号位置, 然后开始旋螺纹(低转矩)。
- 如果咬合很快松脱, 那么请根据需要调整控制环的位置以增加转矩。

## 钻孔

- 用控制环(4)来选定钻孔模式。

## 钢材钻孔

- 如需进行钢材钻孔, 请使用切割润滑剂。不过铸铁和黄铜制品例外, 需要干钻。

## 木材钻孔

- 用钢材钻孔所用的相同螺丝钻头就可以在木材上打孔。不过, 如果不经常把钻头拔出来, 从凹槽中清除掉那些碎屑, 钻头可能会出现过热现象。
- 对于较大的孔, 请使用螺旋钻头。
- 工件可能会溅出许多碎屑, 因此请用一块木板提供背撑。

如果您想了解合适配件方面的更多信息, 请与您的经销商联系。

## 维护与保养

您购买的得伟电动工具经过精心设计, 具有寿命长、维修简易的特点。持续理想的运作性能依赖于妥善保养和经常清洁。



## 润滑

您购买的电动工具无须额外的润滑。





### 清洁

- 在用软布给外壳做清洁之前，请先拔下充电器的插头。
- 在给电动工具做清洁之前，请先卸下电池包。
- 通风槽必须保持通畅清澈，而且必须用软布定期给外壳做清洁。



分类回收。此类产品不得和普通家庭垃圾一起处理。

如果某一天您发现必须更换您的得伟产品或者它对您来说不再有用，请勿把它和家庭垃圾一起处理。把该产品单独分类回收。



旧产品和旧包装的分类回收使材料能够得以再循环和再利用。再循环材料的重新利用有助于防止环境污染和减少原料需求。

城市垃圾站或您购买新产品的零售商会向您提供当地家用电气产品分类回收的有关规定。

一旦产品到达它们的工作寿命，得伟提供回收和再利用产品的设施。如要充分利用这种服务，请把您的产品返回给任何特约维修代理商，代理商代表我们回收旧产品。

您可以通过本手册内的地址联系当地的得伟办公室，查找离您最近的特约维修代理商。此外，您也可以从 Internet 网址：[www.2helpU.com](http://www.2helpU.com)上获得得伟维修代理商的名单，以及售后服务和联系方式的详细信息。



### 充电式电池包

这种充电式电池包具有寿命长的特点，一旦它无法为先前可以轻松完成的工作提供足够的电源，那么必须进行充电。一旦电池包走到其技术寿命尽头，请从保护环境的角度出发，妥善处置该电池包：

- 请完全耗尽电池包的电量，然后从电动工具中卸下电池包。
- Li-Ion, NiCd 电池和 NiMH 电池均可再利用。请将其送至您的经销商处或当地的回收站。被回收的电池包将会得到循环使用或被妥善处置。



# สว่าน/ไขควงไร้สาย DC733, DC740, DC750, DW907

## ยินดีด้วยครับ!

ท่านได้เลือกใช้เครื่องมือจาก DEWALT ด้วยประสบการณ์อันยาวนานในการพัฒนาผลิตภัณฑ์และนวัตกรรมขั้นเลิศ ทำให้ DEWALT เป็นหนึ่งในเครื่องมือไฟฟ้าที่น่าเชื่อถือสำหรับผู้ใช้งานระดับมืออาชีพมากที่สุด

## ข้อมูลทางด้านเทคนิค

		DC733	DC740	DW907	DC750
แรงดันไฟฟ้า	โวลต์	14.4	12	12	9.6

### ความเร็วขณะหมุนเปล่า

เกียร์ 1	รอบ/นาที	0-400	0-350	0-350	0-300
เกียร์ 2	รอบ/นาที	1-1300	0-1,200	0-1200	0-1,100

แรงบิดสูงสุด	นิวตันเมตร	30	26	21	20
--------------	------------	----	----	----	----

ขนาดหัวจับดอก	มม.	10	10	10	10
---------------	-----	----	----	----	----

ขนาดเจาะสูงสุดสำหรับเหล็ก/ไม้	มม.	10/30	10/25	10/25	10/22
-------------------------------	-----	-------	-------	-------	-------

น้ำหนัก (ไม่รวมแบตเตอรี่)	กก.	1.1	1.1	1.1	1.1
---------------------------	-----	-----	-----	-----	-----

LpA (มีสภาพความดันเสียง)	dB(A)	76	75	75	74
--------------------------	-------	----	----	----	----

KpA (มีสภาพความดันเสียงไม่คงที่)	dB(A)	3	3	3	3
----------------------------------	-------	---	---	---	---

LWA (มีสภาพเสียงแวดล้อม)	dB(A)	84	83	83	83
--------------------------	-------	----	----	----	----

KWA (มีสภาพเสียงแวดล้อมไม่คงที่)	dB(A)	3.3	3.3	3.3	3.3
----------------------------------	-------	-----	-----	-----	-----

ค่าความสั่นสะเทือนโดยรวม (triax vector sum) วัดตามมาตรฐาน EN 60745-1, EN 60745-2-1, EN 60745-2-2:					
---	--	--	--	--	--

เจาะเหล็กแผ่น					
Ah =	m/s <sup>2</sup>	1.7	1.6	1.6	1.5
ความไม่แน่นอน K =	m/s <sup>2</sup>	1.5	1.5	1.5	1.5

ขันสกรูโดยไม้กระแทก					
Ah =	m/s <sup>2</sup>	1.3	1.2	1.2	1.1
ความไม่แน่นอน K =	m/s <sup>2</sup>	1.5	1.5	1.5	1.5

ค่าความสั่นสะเทือนที่ระบุไว้ในคู่มือเล่มนี้ใช้การวัดตามมาตรฐานที่ระบุไว้ใน EN 60745 จึงสามารถเปรียบเทียบค่ากับเครื่องมือรุ่นอื่นได้ ทั้งนี้ ค่าที่ระบุไว้เป็นเพียงค่าสำหรับการประเมินระดับค่าความสั่นสะเทือนเบื้องต้นเท่านั้น



**คำเตือน:** ค่าความสั่นสะเทือนที่ระบุไว้นี้เป็นค่าที่ได้จากการใช้งานเครื่องมือตามปกติ หากมีการใช้งานเครื่องมือกับงานที่แตกต่างออกไป หรือใช้กับอุปกรณ์เสริมอื่นๆ หรือไม่ได้รับการบำรุงรักษาอย่างเหมาะสม ค่าความสั่นสะเทือนอาจแตกต่างจากที่ระบุไว้ ซึ่งอาจจะทำให้ผู้ใช้ต้องได้รับความสั่นสะเทือนเพิ่มมากขึ้นตลอดช่วงการใช้งาน

อย่างไรก็ตาม ในการใช้งานจริงผู้ใช้งานไม่ได้ใช้งานเครื่องมือตลอดเวลา จึงต้องคำนึงถึงระยะเวลาที่เปิดเครื่องอยู่ หรือเมื่อเปิดเครื่องอยู่แต่ยังไม่ได้เริ่มใช้งานด้วย ซึ่งค่าความสั่นสะเทือนจริงๆ ตลอดเวลาที่ผู้ใช้งานจะได้รับนั้นอาจจะต่ำกว่าค่าที่ระบุไว้มาก

หามาตรการป้องกันความปลอดภัยเพิ่มเติมเพื่อป้องกันไม่ให้ผู้ใช้งานได้รับผลกระทบจากการสั่นสะเทือน เช่น บำรุงรักษาเครื่องมือและอุปกรณ์เสริมอย่างเหมาะสม ทำให้มีมืออุณหภูมิจัดรูปแบบการใช้งานเครื่องมือให้เหมาะสม

แบตเตอรี่	DE9062	DE9074	DE9071	DE9501
-----------	--------	--------	--------	--------

ประเภทแบตเตอรี่	NiCd	NiCd	NiCd	NiMH
-----------------	------	------	------	------

แรงดันไฟฟ้า	โวลต์	9.6	12	12	12
-------------	-------	-----	----	----	----

ความจุ	Ah	1.3	1.3	2.0	2.6
--------	----	-----	-----	-----	-----

น้ำหนัก	กก.	0.42	0.5	0.65	0.58
---------	-----	------	-----	------	------

แบตเตอรี่	DE9502	DE9091	DE9140	DE9141
-----------	--------	--------	--------	--------

ประเภทแบตเตอรี่	NiMH	NiCd	Li-Ion	Li-Ion
-----------------	------	------	--------	--------

แรงดันไฟฟ้า	โวลต์	14.4	14.4	14.4	14.4
-------------	-------	------	------	------	------

ความจุ	Ah	2.6	2.0	2.0	1.1
--------	----	-----	-----	-----	-----

น้ำหนัก	กก.	0.82	0.84	0.58	0.37
---------	-----	------	------	------	------

แท่นประจุไฟฟ้า	DE9116	DE9118	DE9135
----------------	--------	--------	--------

ประเภทแบตเตอรี่	NiCd/NiMH	NiCd	NiCd/NiMH/Li-Ion
-----------------	-----------	------	------------------

แรงดันไฟที่ใช้	VAC	230	230	230
----------------	-----	-----	-----	-----

เวลาประจุไฟ	นาที	40	60	40
-------------	------	----	----	----

โดยประมาณ	(แบตเตอรี่)	(แบตเตอรี่)	(แบตเตอรี่)
-----------	-------------	-------------	-------------

ขนาด	2.0	2.0	2.0
------	-----	-----	-----

ขนาด	Ah)	Ah)	Ah)
------	-----	-----	-----

น้ำหนัก	กก.	0.4	0.9	0.52
---------	-----	-----	-----	------

### ข้อปฏิบัติด้านความปลอดภัยทั่วไป

ค่าเตือน! อ่านข้อแนะนำการใช้งานทุกข้อ การไม่ปฏิบัติตามขั้นตอนการใช้งานด้านล่าง อาจก่อให้เกิดอันตราย เช่น ไฟฟ้าช็อต ไฟไหม้ หรือบาดเจ็บอย่างรุนแรงได้ คำว่า "เครื่องมือไฟฟ้า" ที่อยู่ในคำเตือนทั้งหมดตั้งแสดงไว้ด้านล่างนี้ หมายถึงเครื่องมือที่ใช้ไฟฟ้าจากสายไฟหรือเครื่องมือที่ใช้แบตเตอรี่ (ไร้สาย) **กรุณาเก็บคู่มือนี้เอาไว้ให้ดี!**

#### 1 พื้นที่ทำงาน

- a รักษาพื้นที่ทำงานให้สะอาดและมีแสงสว่างเพียงพอ พื้นที่ที่ระเกะระกะและมีมืดอาจก่อให้เกิดอุบัติเหตุได้
- b ห้ามใช้เครื่องมือไฟฟ้าในพื้นที่ที่มีโอกาสระเบิดได้ เช่น ในพื้นที่ที่มีของเหลว แก๊ส หรือผงวัสดุที่ติดไฟได้ เครื่องมือก่อให้เกิดประกายไฟซึ่งอาจทำให้ฝุ่นละอองหรือสารเคมีติดไฟได้
- c ขณะที่กำลังใช้งานเครื่องมือ ให้ระมัดระวังเด็กและผู้ที่อยู่ข้างเคียง การสูญเสียสมาธิอาจทำให้สูญเสียการควบคุมได้

#### 2 ความปลอดภัยทางไฟฟ้า

- a ปลั๊กของเครื่องมือไฟฟ้าจะต้องเป็นแบบที่ตรงกันเต้าเสียบ ห้ามทำการดัดแปลงปลั๊กเสียบไม่ว่าในกรณีใด ๆ ห้ามใช้ตัวแปลงปลั๊กไฟกับเครื่องมือไฟฟ้าที่มีสายดิน การใช้ปลั๊กที่ไม่มีการดัดแปลง และการใช้เต้าเสียบที่มีประเภทตรงกันจะช่วยลดความเสี่ยงในการเกิดไฟฟ้าช็อตได้
- b หลีกเลี่ยงไม่ให้ร่างกายสัมผัสกับพื้นผิวที่มีการต่อลงดิน (เช่น ท่อ เครื่องทำความร้อน เตา และตู้เย็น) ถ้าร่างกายของสัมผัสโดยตรงกับพื้นดินจะมีความเสี่ยงต่อไฟฟ้าช็อตเพิ่มมากขึ้น
- c อย่าให้เครื่องมือที่ใช้ไฟฟ้าถูกฝนหรือเปียกน้ำ น้ำที่เข้าไปในเครื่องมือไฟฟ้าจะเพิ่มความเสี่ยงต่อการเกิดไฟฟ้าช็อตได้
- d ห้ามใช้งานสายไฟของเครื่องมืออย่างผิดวิธี ห้ามใช้สายไฟของเครื่องมือในการทิว ดึง หรือถอดปลั๊กเครื่องมือไฟฟ้า เก็บสายไฟให้ห่างจากความร้อน น้ำมัน และวัตถุมีคม สายไฟที่มีความเสียหายจะเพิ่มความเสี่ยงที่อาจเกิดไฟฟ้าช็อตได้
- e เมื่อใช้งานเครื่องมือไฟฟ้ากลางแจ้ง ให้ใช้สายพ่วงที่เหมาะสมกับการใช้งานกลางแจ้ง การใช้สายพ่วงที่เหมาะสมกับการใช้งานกลางแจ้งจะช่วยลดอันตรายจากไฟฟ้าดูดได้

#### 3 ความปลอดภัยส่วนบุคคล

- a มีความตื่นตัวและมีสติในสิ่งที่ทำ รวมทั้งใช้วิจารณญาณขณะที่กำลังใช้งานเครื่องมือไฟฟ้า ห้ามใช้เครื่องมือขณะที่ร่างกายอ่อนล้าหรือได้รับผลกระทบจากของมีนเมาหรือยาต่าง ๆ ความพลั้งเผลอไม่ระมัดระวังตัวแม้เพียงชั่วครู่ขณะที่กำลังใช้งานเครื่องมือไฟฟ้าอยู่อาจก่อให้เกิดการบาดเจ็บอย่างรุนแรงได้
- b ใช้อุปกรณ์ในการป้องกันอันตราย สวมอุปกรณ์ป้องกันดวงตาเสมอ การใช้อุปกรณ์ในการป้องกันอันตรายที่เหมาะสม เช่น หมวกกันน็อก อุปกรณ์ป้องกันเสียง จะช่วยลดการบาดเจ็บได้
- c หลีกเลี่ยงการเปิดเครื่องมือโดยไม่ตั้งใจ ก่อนเสียบปลั๊ก ตรวจสอบให้แน่ใจว่าสวิตช์ถูกปิดอยู่ การยกเครื่องมือด้วยนิ้วมือบริเวณสวิตช์เปิดปิด หรือเสียบปลั๊กขณะที่สวิตช์เปิดอยู่ อาจก่อให้เกิดอุบัติเหตุได้
- d เอาประแจปรับตั้งหรือประแจต่าง ๆ ออกก่อนที่จะเปิดเครื่องมือให้ทำงาน ประแจที่ยังค้างอยู่บริเวณชิ้นส่วนที่เคลื่อนไหวได้ของเครื่องมือ อาจก่อให้เกิดการบาดเจ็บได้
- e อย่าใช้งานในลักษณะของการเอื้อมมือ ขณะใช้เครื่องมือควรยืนให้มั่นคงและมีความสมดุลอยู่ตลอดเวลา ซึ่งจะช่วยให้สามารถควบคุมเครื่องมือได้ดีกว่าเมื่อเกิดเหตุการณ์ไม่คาดฝันขึ้น
- f แต่งกายให้เหมาะสม อย่าสวมเสื้อผ้าที่หลวมหรือเครื่องประดับ ระวังผมยาวไม่ให้ผมที่ยาว เสื้อผ้า หรือถุงมือ เข้าใกล้ชิ้นส่วนที่เคลื่อนไหวได้ เสื้อผ้าที่หลวม เครื่องประดับ หรือผมที่ยาว อาจจะถูกเกี่ยวเข้าไปในชิ้นส่วนที่เคลื่อนไหวได้ของเครื่องมือ
- g ถ้าเครื่องมือมีอุปกรณ์ที่ใช้ตัดจับและกำจัดฝุ่น ดูให้แน่ใจว่าอุปกรณ์เหล่านี้จะช่วยลดอันตรายที่เกี่ยวข้องกับฝุ่น

#### 4 การใช้งานและการดูแลเครื่องมือไฟฟ้า

- อย่าใช้แบริ่งดินเครื่องมือ ใช้เครื่องมือให้เหมาะสมกับลักษณะของงานที่จะทำ เครื่องมือจะทำงานได้ดีและปลอดภัยกว่าหากใช้งานตามที่กำหนดไว้
- ห้ามใช้เครื่องมือถ้าสวิตช์เปิดปิดมีความบกพร่อง เครื่องมือไฟฟ้าที่ไม่สามารถควบคุมด้วยสวิตช์ได้เป็นอันตรายอย่างยิ่ง และจะต้องได้รับการซ่อมแซมโดยด่วน
- ถอดปลั๊กของเครื่องมือออกก่อนที่จะทำการปรับตั้ง เปลี่ยนอุปกรณ์เสริม หรือจัดเก็บเครื่องมือ มาตรการป้องกันดังกล่าวช่วยลดความเสี่ยงที่เครื่องมือจะเริ่มทำงานโดยไม่ได้ตั้งใจ
- จัดเก็บเครื่องมือที่ไม่ได้ใช้งานให้พ้นจากเด็กและบุคคลที่ไม่ได้รับการฝึกฝนในการใช้งานเครื่องมือนั้น เนื่องจากเครื่องมืออาจจะก่อให้เกิดอันตรายได้ถ้าอยู่ในมือผู้ใช้ที่ไม่ได้รับการฝึกฝนในการใช้งาน
- ดูแลรักษาเครื่องมือไฟฟ้า ตรวจสอบว่ามีความผิดปกติหรือมีการติดขัดในส่วนที่เคลื่อนไหวได้ มีชิ้นส่วนที่แตกหัก หรือมีสภาพอื่นใดที่อาจมีผลต่อการใช้งานของเครื่องมือหรือไม่ ถ้าเสียหาย จะต้องแก้ไขเครื่องมือให้เรียบร้อยก่อนใช้งาน เนื่องจากอุบัติเหตุส่วนใหญ่เกิดจากการขาดการบำรุงรักษาเครื่องมือให้ดี
- เก็บรักษาเครื่องมือสำหรับตัดให้คมและสะอาดอยู่เสมอ การดูแลเครื่องมือสำหรับตัดที่มีคมตัดอย่างเหมาะสมจะช่วยให้เครื่องมือไม่ติดขัดและง่ายต่อการควบคุม
- ใช้เครื่องมือไฟฟ้า อุปกรณ์เสริม และดอกสว่านต่าง ๆ ตามข้อแนะนำการใช้งานและด้วยวิธีใช้งานที่กำหนดสำหรับเครื่องมือไฟฟ้าชนิดนั้น ๆ โดยคำนึงถึงสภาพการใช้งานและลักษณะของงาน การใช้เครื่องมือไฟฟ้าในการทำงานที่นอกเหนือจากที่กำหนดไว้ใช้งาน อาจจะทำให้เกิดอันตรายได้

#### 5 การใช้งานและการดูแลแบตเตอรี่

- ดูให้แน่ใจว่าสวิตช์อยู่ในตำแหน่งปิดก่อนที่จะใส่แบตเตอรี่ การใส่แบตเตอรี่เข้าไปในเครื่องมือไฟฟ้าขณะที่สวิตช์เปิดอยู่ อาจทำให้เกิดอุบัติเหตุได้
- ประจุไฟแบตเตอรี่ด้วยที่ประจุไฟที่ระบุโดยผู้ผลิตเท่านั้น ที่ประจุไฟที่เหมาะสมกับแบตเตอรี่ประเภทหนึ่ง อาจจะทำให้มีความเสี่ยงต่อการเกิดไฟไหม้ขึ้นได้ เมื่อนำไปใช้กับแบตเตอรี่อีกประเภทหนึ่ง
- ใช้แบตเตอรี่ประเภทที่กำหนดมาให้ใช้กับเครื่องมือไฟฟ้านั้น ๆ เท่านั้น การใช้แบตเตอรี่ประเภทอื่น ๆ อาจจะทำให้เกิดความเสียหายต่อการบาดเจ็บและไฟไหม้ได้

- เมื่อไม่ได้ใช้งานแบตเตอรี่ เก็บแบตเตอรี่ให้ห่างจากวัตถุที่เป็นโลหะ เช่น คลิปหนีบกระดาษ เหรียญ กุญแจ ตะปู สกรู หรือวัตถุที่เป็นโลหะขนาดเล็กที่สามารถสัมผัสขั้วทั้งสองของแบตเตอรี่ได้ ถ้าขั้วทั้งสองของแบตเตอรี่ถูกลัดวงจร อาจจะทำให้เกิดการไหม้ได้
- ในสภาพแวดล้อมที่อาจทำให้ไหม้ของเหลวออกมาจากแบตเตอรี่ได้ หลีกเลี่ยงอย่าสัมผัสของเหลวดังกล่าว ถ้าบังเอิญสัมผัสให้รีบล้างออกด้วยน้ำ ถ้าของเหลวนั้นเข้าตา จะต้องรีบไปหาแพทย์โดยเร็ว ของเหลวที่ออกมาจากแบตเตอรี่อาจสร้างความระคายเคืองหรือเกิดการไหม้ต่อผิวหนังได้

#### 6 การแก้ไข

- การแก้ไขเครื่องมือจะต้องทำโดยช่างที่เชี่ยวชาญ และใช้ชิ้นส่วนที่เหมือนกันในการเปลี่ยนเท่านั้น ซึ่งจะช่วยให้อุปกรณ์มีความปลอดภัยในการใช้งานอยู่เสมอ

*ข้อแนะนำเพิ่มเติมด้านความปลอดภัยสำหรับแบตเตอรี่*



อันตรายจากอัคคีภัย! อย่าให้มีโลหะลัดวงจรขั้วของแบตเตอรี่ อย่าเก็บหรือถือแบตเตอรี่โดยไม่มีฝาครอบขั้วของแบตเตอรี่

- ของเหลวจากแบตเตอรี่ซึ่งเป็นสารละลายไปแอสเซียมไฮดรอกไซด์ 25-30% อาจจะทำให้เกิดอันตรายได้ ถ้าผิวหนังสัมผัสของเหลวดังกล่าว ให้ล้างออกด้วยน้ำทันที ใช้กรดอย่างอ่อน เช่น น้ำมะนาว หรือน้ำส้มสายชูเพื่อทำให้กลายเป็นกลาง ในกรณีที่เข้าตา ให้ล้างตาผาน้ำสะอาดเป็นเวลาอย่างน้อย 10 นาที และรีบปรึกษาแพทย์โดยทันที
- ห้ามจัดและตัวแบตเตอรี่ไม่ว่าในกรณีใด ๆ

#### *ป้ายบนที่ประจุไฟและแบตเตอรี่*

นอกเหนือจากภาพที่ใช้ในคู่มือเล่มนี้ ป้ายบนที่ประจุไฟและบนแบตเตอรี่จะแสดงรูปภาพตาทางด้านล่างนี้:



กำลังประจุไฟแบตเตอรี่



ประจุไฟแบตเตอรี่แล้ว



แบตเตอรี่เสีย



อย่านำวัตถุที่เป็นตัวนำไฟฟ้าเข้าใกล้



ห้ามประจุไฟแบตเตอรี่ที่เสียหายแล้ว



อ่านคู่มือการใช้งานก่อนใช้



ให้ใช้เฉพาะแบตเตอรี่ของ DEWALT เท่านั้น  
แบตเตอรี่อื่น ๆ เป็นสาเหตุของการบาดเจ็บ  
และเสียหาย



ห้ามโดนน้ำ



เปลี่ยนสายไฟที่ชำรุดใหม่ทันที



ประจุไฟแบตเตอรี่ในอุณหภูมิระหว่าง 4 °C และ  
40 °C



โปรดคำนึงถึงสภาพแวดล้อมเมื่อต้องทิ้ง  
แบตเตอรี่ที่ไม่ใช้แล้ว



ห้ามนำแบตเตอรี่ไปเผาไฟ

### สิ่งที่บรรจุมาด้วย

สิ่งที่บรรจุมาด้วย:

สว่าน/ไขควงไร้สาย	1 เครื่อง
แท่นประจุไฟฟ้า	1 เครื่อง
แบตเตอรี่	2 ก้อน
ดอกไขควง	1 ดอก
กล่องเครื่องมือ (เฉพาะรุ่น K เท่านั้น)	1 กล่อง
คู่มือการใช้งาน	1 เล่ม

- ตรวจสอบว่าเครื่องมือ ชิ้นส่วน หรืออุปกรณ์ ได้รับความเสียหายในระหว่างการขนส่งหรือไม่
- อ่านและทำความเข้าใจคู่มือการใช้งานเล่มนี้อย่างละเอียดก่อนการใช้งาน

### ลักษณะของเครื่อง (รูป 1)

สว่าน/ไขควง DC740/DC750 แบบไร้สายได้รับการออกแบบมาสำหรับงานเจาะและการขันน็อตระดับมืออาชีพ

- a สวิตช์ปรับความเร็ว
- b ที่ปรับดินหน้า/ถอยหลัง
- c ที่ปรับดอกสว่านแบบไม่ใช้ประแจ
- d ที่ปรับเลือกโหมด/ที่ปรับแรงบิด
- e การตั้งที่ปรับ
- f ที่ปรับเลือกเกียร์สองเกียร์
- g ช่องระบายอากาศ
- h ด้ามจับ
- i แบตเตอรี่
- j ปลั๊กปลด
- k แท่นประจุไฟฟ้า
- l ไฟแสดงการประจุไฟ (สีแดง)

### แท่นประจุไฟฟ้า

แท่นประจุไฟฟ้ารุ่น DE9116 สามารถใช้กับแบตเตอรี่ NiCd ของ DEWALT ซึ่งมีขนาดตั้งแต่ 7.2 V to 18 V ได้

แท่นประจุไฟฟ้ารุ่น DE9118 สามารถใช้กับแบตเตอรี่ NiCd ของ DEWALT ซึ่งมีขนาดตั้งแต่ 7.2 V ถึง 14.4 V ได้

แท่นประจุไฟฟ้ารุ่น DE9135 สามารถใช้กับแบตเตอรี่ NiCd, NiMH หรือ Li-Ion ซึ่งมีขนาดตั้งแต่ 7.2 to 18 V ได้

แท่นประจุไฟฟ้าทุกรุ่นไม่จำเป็นต้องมีการปรับตั้ง และได้รับการออกแบบมาให้ง่ายแก่การใช้งาน

### ความปลอดภัยทางไฟฟ้า

มอเตอร์ไฟฟ้าได้รับการออกแบบมาสำหรับใช้กับแรงดันเพียงค่าเดียวเท่านั้น ตรวจสอบแรงดันของแบตเตอรี่ว่าตรงกับแรงดันที่อยู่บนแผ่นป้ายบอกพิกัดแรงดันหรือไม่ นอกจากนี้ให้ตรวจสอบให้แน่ใจว่าระดับแรงดันที่ใช้กับที่ประจุไฟตรงกับระดับแรงดันของไฟฟ้าที่ใช้หรือไม่



ที่ประจุไฟ DEWALT ของท่านผ่านการหุ้มฉนวนสองชั้นตามมาตรฐาน EN 60745

## การใช้กับสายไฟฟาง

ไม่ควรใช้สายไฟสำหรับต่อพ่วงยกเว้นในกรณีที่เป็นจริง ๆ ใช้เฉพาะสายพ่วงที่เหมาะสมกับกำลังไฟด้านเข้าของที่ประจุไฟของคุณเท่านั้น (ดูข้อมูลทางด้านเทคนิค) ขนาดของลวดตัวนำในสายไฟอย่างน้อย 1 ดร.ม.ม. และความยาวสูงสุดไม่เกิน 30 เมตร

## การประกอบและการปรับตำแหน่ง



- ถอดแบตเตอรี่ออกก่อนการประกอบและการปรับตำแหน่งทุกครั้ง
- ปิดสวิตช์ของเครื่องมือก่อนการใส่หรือถอดแบตเตอรี่



ใช้เฉพาะแบตเตอรี่และที่ประจุไฟของ DEWALT เท่านั้น

## แบตเตอรี่ (รูป 2 และ 3)

### ขั้นตอนการประจุไฟแบตเตอรี่



**อันตราย:** การเสียชีวิตจากกระแสไฟฟ้า ชั่วของแทนประจุไฟฟ้ามีระดับแรงดันไฟถึง 230 โวลต์ อย่าแตะขั้วของแทนประจุไฟฟ้าด้วยวัตถุนำไฟฟ้า เนื่องจากอาจเกิดอันตรายหรือเสียชีวิตเนื่องจากไฟฟ้าดูดได้

1. เสียบแทนประจุไฟฟ้า (K) เข้ากับจุดจ่ายไฟก่อนใส่แบตเตอรี่เข้าไป
2. เสียบแบตเตอรี่เข้ากับแทนประจุไฟฟ้า ไฟสีแดงซึ่งแสดงการประจุไฟจะกระพริบอย่างต่อเนื่องเพื่อแสดงว่ากำลังทำการประจุไฟ
3. หลังจากการประจุไฟเสร็จสมบูรณ์ ไฟสีแดงจะหยุดกระพริบและติดค้างเอาไว้ หลังจากนั้น สามารถนำแบตเตอรี่แทนประจุไฟฟ้าเต็มแล้วไปใช้งาน หรือปล่อยให้ไวกับแทนประจุไฟฟ้าก็ได้

## สถานะของการประจุไฟ

กรุณาดูตารางสถานะของการประจุไฟแบตเตอรี่ด้านล่างนี้

### สถานะของการประจุไฟ

กำลังประจุไฟ	-----
ประจุไฟเต็มแล้ว	=====
หน่วงเวลาเนื่องจากแบตเตอรี่ร้อน/เย็น	--- · --- · --- ·
เปลี่ยนแบตเตอรี่	●●●●●●●●●●
มีปัญหา	●● ●● ●● ●●

## การกระตุ้นแบตเตอรี่อัดโนมีติ (เฉพาะรุ่น DE9116, DE9135)

คุณสมบัติการกระตุ้นแบตเตอรี่อัดโนมีติจะช่วยปรับระดับการใช้งานแบตเตอรี่แต่ละก้อนให้ได้สมดุล เพื่อให้กำลังสูงสุด ควรทำการกระตุ้นแบตเตอรี่เป็นประจำทุกสัปดาห์หรือเมื่อแบตเตอรี่มีประสิทธิภาพการใช้งานลดลงกว่าปกติ

การกระตุ้นแบตเตอรี่ทำได้โดยการใส่แบตเตอรี่เข้าไปในแทนประจุไฟฟ้าตามปกติ ปล่อยให้แบตเตอรี่ทิ้งไว้ในแทนประจุไฟฟ้าอย่างน้อย 8 ชั่วโมง

## ระบบหน่วงเวลาเนื่องจากแบตเตอรี่มีอุณหภูมิสูง/ต่ำเกินไป (เฉพาะรุ่น DE9116, DE9135)

หากแทนประจุไฟฟ้าตรวจจับได้ว่าแบตเตอรี่มีอุณหภูมิสูงหรือต่ำเกินไป ระบบหน่วงเวลาของแทนประจุไฟฟ้าจะเริ่มทำงาน โดยจะชะลอการประจุไฟแบตเตอรี่ไปจนกว่าแบตเตอรี่จะมีอุณหภูมิอยู่ในช่วงที่เหมาะสมกับการประจุไฟ หลังจากนั้น แทนประจุไฟฟ้าจะเริ่มการประจุไฟโดยอัดโนมีติ ทั้งนี้ คุณสมบัตินี้จะช่วยยืดอายุการใช้งานแบตเตอรี่

**การป้องกันแบตเตอรี่เสื่อมเร็วเนื่องจากการใช้งานแบตเตอรี่จนหมดประจุ**  
เครื่องมือรุ่นนี้มีระบบป้องกันแบตเตอรี่ไม่ให้เสื่อมเร็วเนื่องจากแบตเตอรี่คายประจุไฟฟ้าจนหมด

### ข้อควรปฏิบัติทางด้านความปลอดภัย ในการใช้งานแบตเตอรี่ทุกประเภท

ในการสั่งซื้อแบตเตอรี่รุ่นใหม่ ให้ระบุรหัสสินค้า และระดับแรงดันใหญ่ถูกต้อง ตรวจสอบความเข้ากันได้ ของแท่นประจุไฟฟ้าและแบตเตอรี่แต่ละแบบได้จาก แผ่นฝังด้านท้ายของคู่มือเล่มนี้

แบตเตอรี่ใหม่ที่เพิ่งแกะกล่องเป็นแบตเตอรี่ที่ยัง ไม่ได้ประจุไฟจนเต็ม ก่อนการใช้งานแบตเตอรี่กับ แท่นประจุไฟฟ้า ให้ศึกษาข้อควรปฏิบัติเพื่อความปลอดภัยด้านล่างนี้ หลังจากอ่านนี้ จึงค่อยทำการประจุไฟตามขั้นตอนที่กำหนด

#### อ่านข้อควรปฏิบัติทั้งหมด

- ห้ามทำการประจุไฟหรือใช้งานแบตเตอรี่ในพื้นที่ที่มีโอกาสระเบิด เช่น มีของเหลวที่ติดไฟ แก๊ส หรือผงวัสดุที่ติดไฟได้ เครื่องมือไฟฟ้าจะก่อให้เกิดประกายไฟซึ่งอาจทำให้ฝุ่นละออง หรือสารเคมีเหล่านี้ติดไฟได้
- ให้ประจุไฟแบตเตอรี่ด้วยแท่นประจุไฟฟ้าของ DEWALT เท่านั้น
- อย่าให้นำน้ำหรือของเหลวกระเซ็นใส่หรือนำแบตเตอรี่ไปแช่น้ำ
- ห้ามเก็บหรือใช้งานเครื่องมือและแบตเตอรี่ในสถานที่ที่อุณหภูมิอาจขึ้นสูงถึงหรือเกิน 40°C (105°F) (เช่น ในโรงเรือนกลางแจ้งหรือโรงเรือนที่สร้างจากโลหะในช่วงฤดูร้อน)



**อันตราย:** การเสียชีวิตจากกระแสไฟฟ้า ห้ามแกะแบตเตอรี่ไม่ว่าในกรณีใดๆ โดยเด็ดขาด หากพบว่าโครงแบตเตอรี่มีรอยร้าวหรือชำรุดเสียหาย ห้ามใส่แบตเตอรี่เข้าไปในแท่นประจุไฟฟ้า เนื่องจากอาจเกิดการบาดเจ็บหรือเสียชีวิตเนื่องจากไฟฟ้าดูดได้ ควรส่งแบตเตอรี่ที่ชำรุดเสียหายกลับไปยังศูนย์บริการเพื่อนำไปรีไซเคิล



**คำเตือน:** ห้ามแกะแบตเตอรี่ไม่ว่าในกรณีใดๆ โดยเด็ดขาด หากพบว่าโครงแบตเตอรี่มีรอยร้าวหรือชำรุดเสียหาย ห้ามใส่แบตเตอรี่เข้าไปในแท่นประจุไฟฟ้า ห้ามกดหรือทำให้แบตเตอรี่ตกหล่นเสียหาย ห้ามใช้งานแบตเตอรี่หรือแท่นประจุไฟฟ้าที่เคยระเบิด ตกหล่น ถูกเหยียบทับ หรือเกิดความเสียหายไม่ว่าในกรณีใดๆ (เช่น ถูกตะปูตำทะลุ ถูกคอนกรีตแตก หรือถูกเหยียบ) ควรส่งแบตเตอรี่ที่ชำรุดเสียหายกลับไปยังศูนย์บริการเพื่อนำไปรีไซเคิล



**ข้อควรระวัง:** เมื่อไม่ได้ใช้งาน ให้วางเครื่องมือของลงบนพื้นราบเพื่อไม่ให้เกิดอันตรายจากการสะดุดหรือหล่น ทั้งนี้เนื่องจากเครื่องมือบางรุ่นซึ่งมีแบตเตอรี่ขนาดใหญ่อาจวางตั้งได้ แต่ก็จะล้มได้ง่ายเช่นกัน

### ข้อแนะนำเพิ่มเติมด้านความปลอดภัยในการใช้งานแบตเตอรี่แบบนิกเกิลแคดเมียม (NiCd) หรือแบบนิกเกิลเมทัลไฮไดรด์ (NiMH)

- ห้ามนำแบตเตอรี่ไปเผาไฟ แม้จะเป็นแบตเตอรี่ที่เสียหายหรือแตกหักแล้วก็ตาม เนื่องจากแบตเตอรี่นั้นสามารถระเบิดได้เมื่ออยู่ในเปลวไฟ
- หากใช้งานอย่างหนักหรือภายใต้อุณหภูมิที่สูงหรือต่ำอย่างมาก อาจมีของเหลวปริมาณเล็กน้อยรั่วออกมาจากแบตเตอรี่ได้ ทั้งนี้ ไม่ถือว่าแบตเตอรี่มีความผิดปกติแต่อย่างใด

อย่างไรก็ดี หากผ่นึกด้านนอกของแบตเตอรี่เกิดการฉีกขาด

- และผิวหนังของท่านสัมผัสวัสดุโดนของเหลวที่ออกมาจากแบตเตอรี่ ให้ล้างออกทันทีด้วยสบู่และน้ำเปล่าเป็นเวลาานาๆ หลายนาที
- หากของเหลวจากแบตเตอรี่เข้าไปในดวงตาของท่าน ให้ล้างออกด้วยน้ำสะอาดเป็นเวลาอย่างน้อย 10 นาที และรีบไปพบแพทย์ทันที (ข้อมูลทางการแพทย์: ของเหลวนี้ประกอบด้วยสารละลายโปแตสเซียมไฮดรอกไซด์เข้มข้น 25-35%)

### ข้อแนะนำเพิ่มเติมด้านความปลอดภัยในการใช้งานแบตเตอรี่แบบลิเทียมไอออน (Li-Ion)

- ห้ามนำแบตเตอรี่ไปเผาไฟ แม้จะเป็นแบตเตอรี่ที่เสียหายหรือแตกหักแล้วก็ตาม เนื่องจากแบตเตอรี่นั้นสามารถระเบิดได้เมื่ออยู่ในเปลวไฟ เมื่อแบตเตอรี่แบบลิเทียมไอออนถูกเผาไหม้จะก่อให้เกิดควันพิษและสารพิษ
- หากผิวหนังของท่านสัมผัสกับสารที่อยู่ในแบตเตอรี่ ให้ล้างออกทันทีโดยใช้น้ำและสบู่ที่มีฤทธิ์อ่อน หากของเหลวจากแบตเตอรี่เข้าไปในดวงตาของท่าน ให้ล้างออกด้วยน้ำสะอาดเป็นเวลาอย่างน้อย 15 นาที หรือจนกว่าจะหยุดระคายเคืองในดวงตา หากจำเป็นขอข้อมูลกับแพทย์ สารละลายในแบตเตอรี่ประกอบด้วยส่วนผสมของคาร์บอนเนตออร์แกนิกเหลวและเกลือลิเธียม
- สารที่อยู่ในแบตเตอรี่ที่ถูกแกะออกอาจก่อให้เกิดการระคายเคืองต่อทางเดินหายใจได้ ในกรณีดังกล่าว ต้องทำใหญ่ที่สุดตามสารดังกล่าวนั้นได้รับอากาศที่บริสุทธิ์ หากอาการยังไม่ดีขึ้น ให้รีบไปพบแพทย์



คำเตือน: อันตรายจากการเผาไหม้ของเหลวที่อยู่ในแบตเตอรี่อาจเกิดการติดไฟได้หากโดนสะเก็ดไฟหรือเปลวไฟ

สำหรับอัตราความเร็ว ให้ดูในข้อมูลทางด้านเทคนิค



- ให้ปรับที่ปรับเลือกเกียร์ให้ไปหน้าสุดหรือหลังสุดทุกครั้ง

- ห้ามเปลี่ยนเกียร์ในขณะที่ยังหมุนอยู่หรือขณะใช้งาน

### ข้อแนะนำในการใช้งาน



ให้ดูข้อแนะนำด้านความปลอดภัยในการใช้งานและข้อกำหนดที่เกี่ยวข้อง



ใช้ความระมัดระวังท่อหรือสายไฟที่อาจจะอยู่ในบริเวณนั้น



ห้ามใช้แรงกดเครื่องมากเกินไป การใช้แรงมากเกินไปไม่ได้ทำให้ความเร็วในการเจาะเพิ่มขึ้น แต่จะเป็นการลดประสิทธิภาพของเครื่องมือและอาจจะทำให้อายุการใช้งานของเครื่องมือสั้นลง



เพื่อลดการติดขัดของเครื่องมือเนื่องจากการทะลุ คอย ๆ 1 ดันแรงเจาะลงเมื่อใกล้จะสิ้นสุดการเจาะ



ปล่อยให้มอเตอร์หมุนในขณะที่กำลังดึงดอกสว่านกลับออกมาจากรูที่เจาะ ซึ่งจะเป็นการป้องกันการติดขัดของเครื่องมือ

### ก่อนการใช้งาน:

- ตรวจสอบให้แน่ใจว่าแบตเตอรี่ได้รับการประจุไฟจนเต็ม
- ใส่ดอกสว่านที่เหมาะสม
- ทำจุดเครื่องหมายบนตำแหน่งที่จะทำการเจาะรู
- เลือกทิศทางว่าจะหมุนเดินหน้าหรือถอยหลัง

### การเปิดและปิดเครื่อง (รูป 6)

- ถ้าต้องการให้เครื่องมือทำงาน ให้กดสวิตช์ปรับความเร็ว (a) แรงที่กดบนสวิตช์ปรับความเร็วจะเป็นตัวกำหนดความเร็วของเครื่องมือ
- เมื่อต้องการหยุดเครื่องมือ ให้ปล่อยสวิตช์
- ถ้าต้องการล็อกเครื่องมือในตำแหน่งปิด เลื่อนที่ปรับเดินหน้า/ถอยหลัง (b) ไปยังตำแหน่งตรงกลาง



ส่วนมีเบรกเพื่อทำการหยุดเครื่องมือทันทีที่สวิตช์ปรับความเร็วถูกปล่อย

### การใช้งานสำหรับขั้นสูง

- เลือกให้หมุนไปข้างหน้าหรือถอยหลังโดยการใช้ที่ปรับเลื่อน (e)

### ฝาครอบแบตเตอรี่ (รูป 3)

ฝาครอบมีไว้สำหรับครอบขั้วสัมผัสของแบตเตอรี่ที่ถอดออกมา ถ้าไม่มีฝาครอบ วัตถุที่เป็นโลหะอาจจะทำให้ขั้วสัมผัสของแบตเตอรี่ลัดวงจร ซึ่งอาจทำให้เกิดไฟไหม้และความเสียหายต่อแบตเตอรี่ได้

- ถอดฝาครอบป้องกัน (m) ออก ก่อนที่จะใส่แบตเตอรี่ (i) เข้าไปในที่ประจุไฟหรือเครื่องมือ
- ปิดฝาครอบบนขั้วสัมผัสทันทีหลังจากที่ถอดแบตเตอรี่ออกจากที่ประจุไฟหรือเครื่องมือ



ตรวจสอบให้แน่ใจว่าได้ปิดฝาครอบป้องกันก่อนที่จะจัดเก็บหรือพกพาแบตเตอรี่ที่ถอดออกมา

### การใส่และถอดดอกสว่าน (รูป 4)

- เปิดที่จับดอกสว่านด้วยการหมุนปलอก (c) ทวนเข็มนาฬิกาและสอดก้านดอกสว่านเข้าไป
- ใส่ดอกสว่านเข้าไปในที่จับให้สุดและยกขึ้นเล็กน้อยก่อนที่จะขันให้แน่น
- ขันดอกสว่านให้แน่นโดยการหมุนปलอกตามเข็มนาฬิกา
- การถอดดอกสว่าน ให้ทำกลับขั้นตอนกับตอนใส่

### การเลือกโหมดการทำงานและการปรับแรงบิด (รูป 5)

ปलอกของเครื่องมือนี้สามารถปรับตั้งแรงบิดได้ 15 ตำแหน่ง เพื่อให้เหมาะกับขนาดของสกรูและชิ้นงาน สำหรับการปรับตั้งแรงบิด ให้ดูในหัวข้อ "การใช้เป็น 'ไขควง'"

- เลือกโหมดการเจาะหรือแรงบิดด้วยการตั้งสัญลักษณ์หรือตัวเลขบนปलอก (e) ให้ตรงกับตัวชี้ (o) บนตัวเครื่อง

### ที่ปรับเดินหน้า/ถอยหลัง (รูป 6)

- การเลือกหมุนเดินหน้าหรือถอยหลังทำได้โดยใช้ที่ปรับเดินหน้า/ถอยหลัง (b) ดังแสดง (ดูลูกศรบนเครื่องมือ)



รอกันกระแทกมอเตอร์หยุดนิ่งสนิทก่อนที่จะเปลี่ยนทิศทางของการหมุน

### ที่ปรับเลือกเกียร์ (รูป 7)

เครื่องมือของท่านมีที่ปรับเลือกเกียร์ (f) เพื่อปรับ

อัตราสวนความเร็ว/แรงบิด

- 1 ความเร็วต่ำ/แรงบิดสูง (เจาะรูขนาดใหญ่ ชั้นน็อค)
- 2 ความเร็วสูง/แรงบิดต่ำ (เจาะรูขนาดเล็ก)

- ตັงปลอก (4) ไปที่ตำแหน่ง 1 และเริ่มการขัน (แรงบิดต่ำ)
- ถัดลัดขหมนเร็วเกินไป ให้ปรับปลอกเพื่อเพิ่มแรงบิดตามต้องการ

## การใช้งานเจาะ (รูป A)

- เลือกโหมดในการเจาะโดยการไขปลอก (4)

## การเจาะในโลหะ

- ใช้สารระบายความร้อนที่ใช้ในงานตัดเมื่อต้องทำการเจาะโลหะ ยกเว้นในการเจาะเหล็กหล่อและทองเหลือง จะต้องไม่ใช้สารระบายความร้อน

## การเจาะในไม้

- สามารถใช้ดอกสว่านเกลียวที่ใช้ในการเจาะโลหะเพื่อใช้เจาะในไม้ได้ อย่างไรก็ตาม อาจเกิดความร้อนกับดอกสว่านมากเกินไป ถ้าไม่ดึงออกมาปิดเศษไม้ ออกบ่อย ๆ
- สำหรับการเจาะรูขนาดใหญ่ ให้ใช้ดอกสว่านไม้แทน
- ใช้แท่งไม้รองชิ้นงานที่อาจแตกหักจากการเจาะได้

สอบถามข้อมูลเพิ่มเติมเกี่ยวกับอุปกรณ์เสริมที่เหมาะสมได้จากตัวแทนจำหน่าย

## การบำรุงรักษา

เครื่องมือไฟฟ้า DEWALT ของท่านได้รับการออกแบบให้สามารถใช้งานได้เป็นระยะเวลายาวนานโดยไม่ต้องมีการบำรุงรักษามากนัก



การดูแลและทำความสะอาดเครื่องมืออย่างถูกต้องจะช่วยให้สามารถใช้งานเครื่องมือได้อย่างพึงพอใจและต่อเนื่อง

## การหล่อลื่น

เครื่องมือไฟฟ้าของท่านไม่จำเป็นต้องมีการหล่อลื่น



## การทำความสะอาด

- ถอดปลั๊กที่ประจุไฟก่อนการทำทำความสะอาดที่ประจุไฟด้วยผ้านุ่ม
- ถอดแบตเตอรี่ออกจากเครื่องมือก่อนที่จะทำความสะอาดเครื่อง
- ดูและให้ช่องระบายอากาศไม่อุดตันและทำความสะอาดตัวเครื่องเป็นประจำด้วยผ้านุ่ม



การแยกเพื่อการจัดเก็บ ผลิตภัณฑ์ชิ้นนี้จะต้องไม่นำไปทิ้งปนกับขยะตามบ้านเรือนโดยทั่วไป

เมื่อท่านต้องการเปลี่ยนผลิตภัณฑ์จาก DEWALT เป็นเครื่องใหม่ หรือถ้าท่านไม่ต้องการใช้งานเครื่องนี้อีกต่อไป กรุณาอย่านำไปทิ้งปะปนกับขยะตามบ้านเรือนโดยทั่วไป แยกผลิตภัณฑ์นี้เพื่อการจัดเก็บต่างหาก



การแยกผลิตภัณฑ์และบรรจุภัณฑ์ที่ใช้แล้วเพื่อการจัดเก็บต่างหากจะช่วยให้สามารถนำวัสดุไปรีไซเคิลและนำกลับมาใช้ได้อีกครั้ง การนำวัสดุที่ผ่านการรีไซเคิลกลับมาใช้ใหม่เป็นการช่วยป้องกันมลพิษต่อสิ่งแวดล้อมและลดปริมาณความต้องการวัตถุดิบจากธรรมชาติลง

เมื่อท่านซื้อผลิตภัณฑ์ใหม่ อาจจะมีข้อกำหนดในท้องถิ่นนั้น ๆ ในการแยกการจัดเก็บผลิตภัณฑ์เครื่องใช้ไฟฟ้าจากบ้านเรือนโดยสถานที่กำจัดขยะของเทศบาลหรือโดยร้านค้าเอง

DEWALT มีบริการในการเก็บและการรีไซเคิลผลิตภัณฑ์ของ DEWALT ที่หมดอายุการใช้งานแล้ว ท่านสามารถใช้บริการนี้ได้ด้วยการนำสินค้าที่ไม่ใช้แล้วส่งไปยังตัวแทนให้บริการซ่อมที่ได้รับอนุญาต ซึ่งเป็นผู้เก็บสินค้าส่งคืนให้แก่เรา

ท่านสามารถสอบถามที่ตั้งของตัวแทนให้บริการซ่อมที่ได้รับอนุญาตที่อยู่ใกล้ท่านได้จากศูนย์ของ DEWALT ตามที่อยู่ที่ได้ระบุไว้ในคู่มือเล่มนี้ หรือสามารถดูรายชื่อตัวแทนให้บริการซ่อมที่ได้รับอนุญาตของ DEWALT รวมทั้งรายละเอียดทางด้านบริการหลังการขายและรายละเอียดในการติดต่อผ่านทางอินเทอร์เน็ตได้ที่: [www.2helpU.com](http://www.2helpU.com)



## แบตเตอรี่แบบประจุไฟใหม่ได้

แบตเตอรี่ชนิดที่มีอายุการใช้งานยาวนานนี้จำเป็นต้องได้รับการประจุไฟใหม่เมื่อไม่มีกำลังเพียงพอต่องานที่เคยมทำได้อย่างง่าย ๆ เมื่อแบตเตอรี่หมดอายุการใช้งาน ให้กำจัดทิ้งโดยคำนึงถึงสิ่งแวดล้อมเป็นหลัก

- ให้ใช้แบตเตอรี่ให้หมด แล้วถอดแบตเตอรี่ออกจากเครื่อง
- แบตเตอรี่แบบ NiCd และ NiMH สามารถนำไปรีไซเคิลได้ นำแบตเตอรี่ไปยังสถานบริการรีไซเคิลใกล้บ้านท่าน แบตเตอรี่ที่นำส่งดังกล่าวจะได้รับการรีไซเคิลหรือกำจัดทิ้งอย่างเหมาะสมต่อไป



