

DEWALT®

www.DEWALT.com

D25960
D25961

English (<i>original instructions</i>)	6
Français (<i>traduction de la notice d'instructions originale</i>)	11
العربية: (مترجم عن التعليمات الأصلية)	18

Figure 1

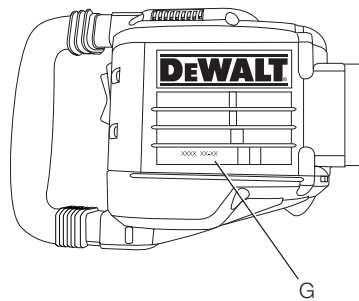
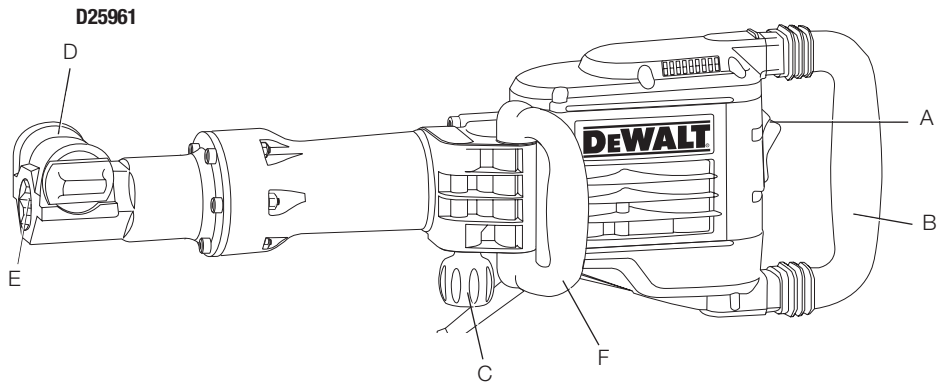
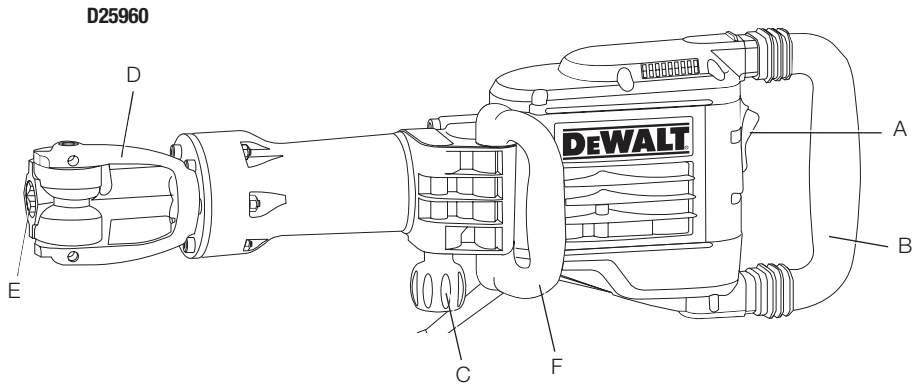


Figure 2A

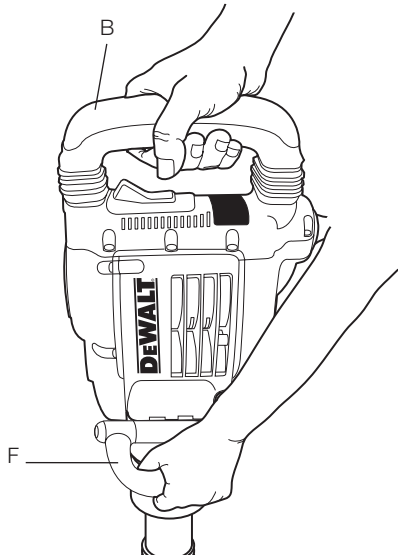


Figure 2B

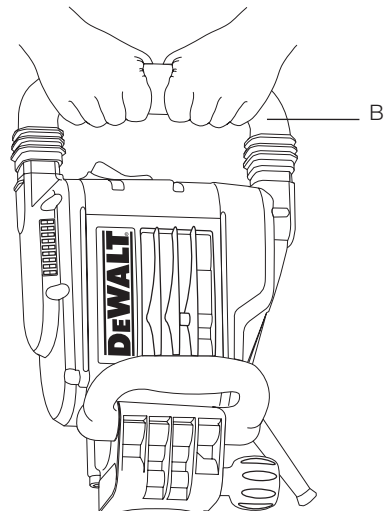


Figure 3

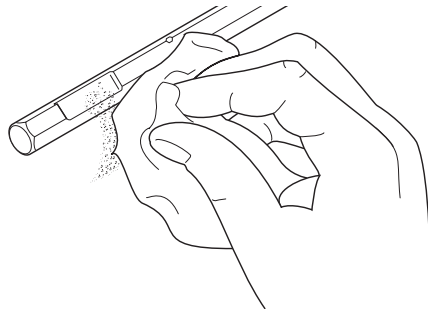


Figure 4A

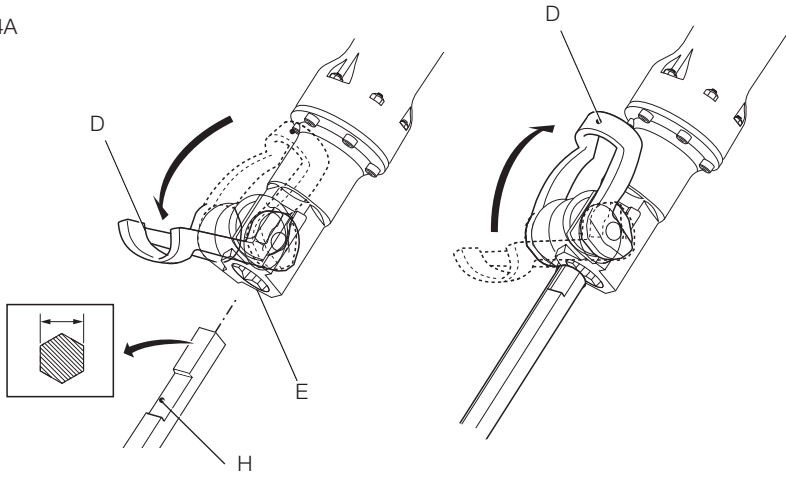


Figure 4B

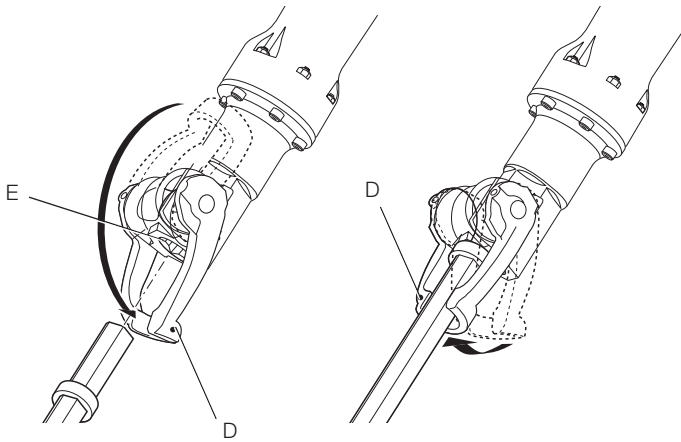


Figure 4C

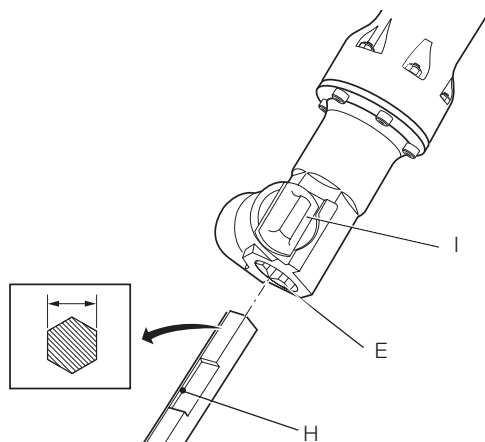


Figure 5

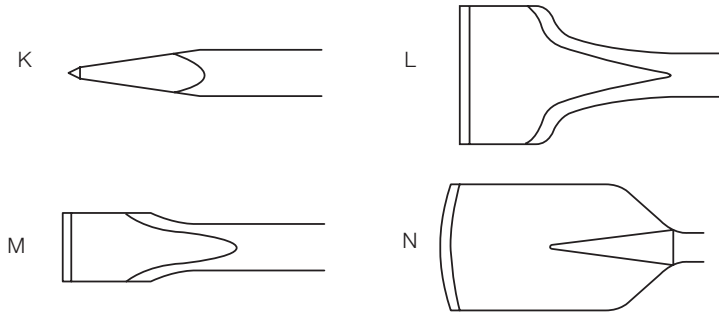
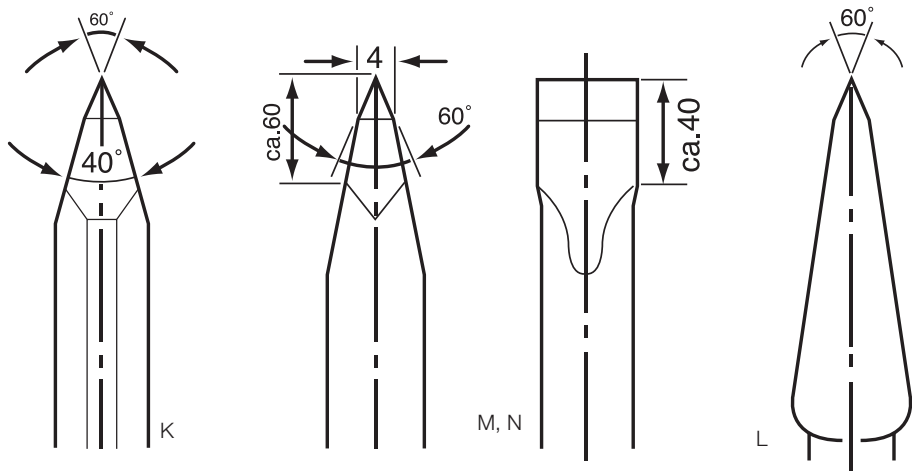


Figure 6



DEMOLITION HAMMER

D25960, D25961

Congratulations!

You have chosen a DEWALT power tool. Years of experience, thorough product development and innovation make DEWALT one of the most reliable partners for professional power tool users.

Technical Data

		D25960	D25961
Voltage	V	220–240	220–240
	V	120	120
Type		1	1
Frequency	Hz	50/60	50/60
Power input	W	1600	1600
No-load beats per minute	BPM	1450	1450
Single impact energy (EPTA 05/2009)	J	35	35
Tool holder		28 mm Hex	30 mm Hex
Chisel positions		1	1
Weight	kg	18.4	16.9

Definitions: Safety Guidelines

The definitions below describe the level of severity for each signal word. Please read the manual and pay attention to these symbols.



DANGER: Indicates an imminently hazardous situation which, if not avoided, **will result in death or serious injury.**



WARNING: Indicates a potentially hazardous situation which, if not avoided, **could result in death or serious injury.**



CAUTION: Indicates a potentially hazardous situation which, if not avoided, **may result in minor or moderate injury.**

NOTICE: Indicates a practice **not related to personal injury** which, if not avoided, **may result in property damage.**



Denotes risk of electric shock.



Denotes risk of fire.



WARNING: To reduce the risk of injury, read the instruction manual.

General Power Tool Safety Warnings



WARNING! Read all safety warnings and instructions Failure to follow the

warnings and instructions may result in electric shock, fire and/or serious injury.

SAVE ALL WARNINGS AND INSTRUCTIONS FOR FUTURE REFERENCE

The term “power tool” in the warnings refers to your mains-operated (corded) power tool or battery-operated (cordless) power tool.

1) WORK AREA SAFETY

- Keep work area clean and well lit.** Cluttered or dark areas invite accidents.
- Do not operate power tools in explosive atmospheres, such as in the presence of flammable liquids, gases or dust.** Power tools create sparks which may ignite the dust or fumes.
- Keep children and bystanders away while operating a power tool.** Distractions can cause you to lose control.

2) ELECTRICAL SAFETY

- Power tool plugs must match the outlet. Never modify the plug in any way. Do not use any adapter plugs with earthed (grounded) power tools.** Unmodified plugs and matching outlets will reduce risk of electric shock.
- Avoid body contact with earthed or grounded surfaces such as pipes, radiators, ranges and refrigerators.** There is an increased risk of electric shock if your body is earthed or grounded.

- c) **Do not expose power tools to rain or wet conditions.** Water entering a power tool will increase the risk of electric shock.
- d) **Do not abuse the cord. Never use the cord for carrying, pulling or unplugging the power tool. Keep cord away from heat, oil, sharp edges or moving parts.** Damaged or entangled cords increase the risk of electric shock.
- e) **When operating a power tool outdoors, use an extension cord suitable for outdoor use.** Use of a cord suitable for outdoor use reduces the risk of electric shock.
- f) **If operating a power tool in a damp location is unavoidable, use a residual current device (RCD) protected supply.** Use of an RCD reduces the risk of electric shock.

3) PERSONAL SAFETY

- a) **Stay alert, watch what you are doing and use common sense when operating a power tool. Do not use a power tool while you are tired or under the influence of drugs, alcohol or medication.** A moment of inattention while operating power tools may result in serious personal injury.
- b) **Use personal protective equipment. Always wear eye protection.** Protective equipment such as dust mask, non-skid safety shoes, hard hat, or hearing protection used for appropriate conditions will reduce personal injuries.
- c) **Prevent unintentional starting. Ensure the switch is in the off position before connecting to power source and/or battery pack, picking up or carrying the tool.** Carrying power tools with your finger on the switch or energising power tools that have the switch on invites accidents.
- d) **Remove any adjusting key or wrench before turning the power tool on.** A wrench or a key left attached to a rotating part of the power tool may result in personal injury.
- e) **Do not overreach. Keep proper footing and balance at all times.** This enables better control of the power tool in unexpected situations.
- f) **Dress properly. Do not wear loose clothing or jewellery. Keep your hair, clothing and gloves away from moving parts.** Loose clothes, jewellery or long hair can be caught in moving parts.
- g) **If devices are provided for the connection of dust extraction and collection facilities, ensure these are connected and properly**

used. Use of dust collection can reduce dust-related hazards.

4) POWER TOOL USE AND CARE

- a) **Do not force the power tool. Use the correct power tool for your application.** The correct power tool will do the job better and safer at the rate for which it was designed.
- b) **Do not use the power tool if the switch does not turn it on and off.** Any power tool that cannot be controlled with the switch is dangerous and must be repaired.
- c) **Disconnect the plug from the power source and/or the battery pack from the power tool before making any adjustments, changing accessories, or storing power tools.** Such preventive safety measures reduce the risk of starting the power tool accidentally.
- d) **Store idle power tools out of the reach of children and do not allow persons unfamiliar with the power tool or these instructions to operate the power tool.** Power tools are dangerous in the hands of untrained users.
- e) **Maintain power tools. Check for misalignment or binding of moving parts, breakage of parts and any other condition that may affect the power tool's operation. If damaged, have the power tool repaired before use.** Many accidents are caused by poorly maintained power tools.
- f) **Keep cutting tools sharp and clean.** Properly maintained cutting tools with sharp cutting edges are less likely to bind and are easier to control.
- g) **Use the power tool, accessories and tool bits etc., in accordance with these instructions taking into account the working conditions and the work to be performed.** Use of the power tool for operations different from those intended could result in a hazardous situation.

5) SERVICE

- a) **Have your power tool serviced by a qualified repair person using only identical replacement parts.** This will ensure that the safety of the power tool is maintained.

Additional Safety Instructions for Demolition Hammers

- **Wear ear protectors.** Exposure to noise can cause hearing loss.
- **Use auxiliary handles supplied with the tool.** Loss of control can cause personal injury.

- **Hold power tools by insulated gripping surfaces when performing an operation where the cutting tool may contact hidden wiring or its own cord.** Cutting accessory contacting a "live" wire may make exposed metal parts of the tool "live" and shock the operator.
- Be certain that the material being drilled does not conceal electric or gas service and that their locations have been verified with the utility companies.
- Keep a firm grip on the tool at all times. Do not attempt to operate this tool without holding it with both hands. Operating this tool with one hand will result in loss of control. Breaking through or encountering hard materials such as re-bar may be hazardous as well. Tighten the side handle securely before use.
- Ensure the chisel is secured in place before operating the tool.
- In cold-weather conditions or when the tool has not been used for a longer period of time, let the tool run with no load for several minutes before use.
- When working above ground level ensure the area below is clear.
- Do not touch the chisel or the parts close to the chisel immediately after operation, as they may be extremely hot and cause burns to the skin.
- Always direct the power cable to the rear, away from the chisel.
- **Do not operate this tool for long periods of time.** Vibration caused by hammer action may be harmful to your hands and arms. Use gloves to provide extra cushion and limit exposure by taking frequent rest periods.



WARNING: We recommend the use of a residual current device with a residual current rating of 30mA or less.

Residual Risks

The following risks are inherent to the use of demolition hammers:

- Injuries caused by touching the hot parts of the tool.

In spite of the application of the relevant safety regulations and the implementation of safety devices, certain residual risks cannot be avoided. These are:

- Impairment of hearing.
- Risk of squeezing fingers when changing the accessory.

- Health hazards caused by breathing dust developed when working in concrete and/or masonry.

Markings on Tool

The following pictograms are shown on the tool:



Read instruction manual before use.



Wear ear protection.



Wear eye protection.

DATE CODE POSITION (FIG. 1)

The Date Code (G), which also includes the year of manufacture, is printed into the housing.

Example:

2016 XX XX

Year of Manufacture

Package Contents

The package contains:

- 1 Demolition hammer
- 1 Side handle
- 1 Pointed chisel
- 1 Plastic case
- 1 Instruction manual
- Check for damage to the tool, parts or accessories which may have occurred during transport.
- Take the time to thoroughly read and understand this manual prior to operation.

Description (fig. 1)

- A. On/off switch
- B. Main handle
- C. Side handle clamping knob
- D. Tool retainer
- E. Tool holder
- F. Side handle

INTENDED USE

The D25960, D25961 heavy-duty demolition hammers are designed for heavy-duty demolition and breaking applications.

DO NOT use under wet conditions or in presence of flammable liquids or gases.

These heavy-duty demolition hammers are professional power tools.

DO NOT let children come into contact with the tool. Supervision is required when inexperienced operators use this tool.

- This product is not intended for use by persons (including children) suffering from diminished physical, sensory or mental abilities; lack of experience, knowledge or skills unless they are supervised by a person responsible for their safety. Children should never be left alone with this product.

Active Vibration Control

The active vibration control neutralises rebound vibration from the hammer mechanism. Lowering hand and arm vibration, it allows more comfortable use for longer periods of time and extends the life of the unit.

Electrical Safety

The electric motor has been designed for one voltage only. Always check that the power supply corresponds to the voltage on the rating plate.



Your DEWALT tool is double insulated in accordance with EN60745; therefore no earth wire is required.



WARNING: 120 V units have to be operated via a fail-safe isolating transformer with an earth screen between the primary and secondary winding.

If the supply cord is damaged, it must be replaced by a specially prepared cord available through the DEWALT service organization.

Mains Plug Replacement (Middle East and Africa)

If a new mains plug needs to be fitted:

- Safely dispose of the old plug.
- Connect the brown lead to the live terminal in the plug.
- Connect the blue lead to the neutral terminal.



WARNING: No connection is to be made to the earth terminal.

Follow the fitting instructions supplied with good quality plugs. Recommended fuse: 13 A.

For 120 V units with a power rating exceeding 1500 W, we recommend to fit a plug to BS4343 standard.



WARNING: 120 V units have to be operated via a fail-safe isolating transformer with an earth screen between the primary and secondary winding.

Using an Extension Cable

If an extension cable is required, use an approved 3-core extension cable suitable for the power input of this tool (see technical data). The minimum conductor size is 1.5 mm²; the maximum length is 30 m.

When using a cable reel, always unwind the cable completely.

ASSEMBLY AND ADJUSTMENT



WARNING: To reduce the risk of injury, turn unit off and disconnect machine from power source before installing and removing accessories, before adjusting or changing set-ups or when making repairs. Be sure the trigger switch is in the OFF position. An accidental start-up can cause injury.



WARNING: Always wear gloves when changing accessories. The exposed metal parts on the tool and accessory may become extremely hot during operation.

Inserting and Removing 28/30 mm Hex Accessories (fig. 3, 4)

D25960

This machine uses chisels with a 28 mm hex shank.

D25961

This machine uses chisels with a 30 mm hex shank.

Only DEWALT recommended accessories should be used with this product.

1. Clean the chisel shank (Fig. 3).

D25960

TO FIT A CHISEL WITH GROOVE IN THE SHANK (FIG. 4A)

1. Pull the tool retainer (D) to the unlock position.
2. Hold the chisel in front of the tool holder with the groove (H) facing upwards.
3. Insert the chisel shank into the tool holder (E).
4. Push the retainer (D) backwards to lock the accessory in position.

- Pull on the chisel to check if it is properly locked. The hammering function requires the chisel to be able to move axially several centimetres when locked in the tool holder.
- To remove a chisel pull back the retainer (D) and pull the chisel out of the tool holder (E).

TO FIT A CHISEL WITH COLLAR ON THE SHANK (FIG. 4B)

- Pull the tool retainer (D) to the unlock position.
- Insert the chisel shank into the tool holder (E).
- Push the retainer (D) in line with the accessory shank to lock the accessory in position.
- Pull on the chisel to check if it is properly locked. The hammering function requires the chisel to be able to move axially several centimetres when locked in the tool holder.
- To remove a chisel pull back the retainer (D) and pull the chisel out of the tool holder (E).

D25961

TO FIT A CHISEL WITH GROOVE IN THE SHANK (FIG. 4C)

- Pull the retainer bolt (I) and turn it by 180° to the unlock position.
- Hold the chisel in front of the tool holder with the groove (H) facing upwards.
- Insert the chisel shank into the tool holder (E).
- Pull the retainer bolt (I) and turn it by 180° back to the lock position.
- Pull on the chisel to check if it is properly locked. The hammering function requires the chisel to be able to move axially several centimetres when locked in the tool holder.
- To remove a chisel pull the retainer bolt (I) and turn it by 180° to the unlock position.

Adjusting the Side Handle (fig. 1)

The side handle (F) is assembled on the machine to suit both right- and left-hand users.



WARNING: Always operate the machine with the side handle properly mounted.

- Loosen the clamp knob (C) and rotate the side handle to the desired position.
- Lock the side handle in place by tightening the clamp knob (C).

OPERATION

Instructions for Use



WARNING:

- Always observe the safety instructions and applicable regulations.

- Be aware of the location of pipework and wiring.
- Apply a pressure of approx. 20 - 30 kg to the tool. Excessive force does not speed up chiselling but decreases tool performance and may shorten tool life.

Proper Hand Position (fig. 2)



WARNING: To reduce the risk of serious personal injury, **ALWAYS** use proper hand position as shown.



WARNING: To reduce the risk of serious personal injury, **ALWAYS** hold securely in anticipation of a sudden reaction.

IMPORTANT: The tool must be held with two hands at all times when in use.

Horizontal applications (fig. 2A):

Proper hand position requires one hand on the side handle (F) and the other hand on the main handle (B).

Vertical applications (fig. 2B):

Proper hand position requires both hands on the main handle (B).

Switching On and Off (fig. 1)

Switching on: set the on/off switch (A) to position 1.

Switching off: set the on/off switch (A) to position 0.

Demolition, Chasing and Channelling (fig. 1, 2)

- Select the appropriate chisel, and clean its shank.
- Insert the chisel and check whether it is properly locked.
- Fit and adjust the side handle (F) and make sure it is firmly tightened.
- Hold the tool with two hands on the main handle (B) or one hand on the main handle (B) and one hand on the side handle (F). The tool must be held with two hands at all times when in use. Refer to **Proper Hand Position**.
- Switch on tool to run in continuous operation.
- Always switch off the tool when work is finished and before unplugging.

Various types of chisels are available as an option.

Only DEWALT recommended accessories should be used with this product.

MAINTENANCE

Your DEWALT power tool has been designed to operate over a long period of time with a minimum of maintenance. Continuous satisfactory operation depends upon proper tool care and regular cleaning.

This machine is not user-serviceable. Take the tool to an authorised DEWALT repair agent periodically. If problems occur before this time contact an authorised DEWALT repair agent.

Accessory Maintenance (fig. 5, 6)



WARNING: These chisels can be reground only a limited number of times. If in doubt, contact your dealer for recommendations.



WARNING: Ensure that the cutting edge does not show discolouration caused by too much pressure. This may impair the hardness of the accessory.

For the best results only use sharp chisel bits. Sharpening chisel bits frequently will guarantee long life of the chisel bits and the best performance results.

GRINDING

Refer to figure 5 for the types of chisels to use with this tool.

Grind the chisels on grinding discs with continuous water flow. Refer to figure 6 for the appropriate angles of the following chisels:

- K. pointed chisel
- L. flat chisel
- M. wide scaling chisel
- N. clay spade

FORGING

For forging:

Heat the chisel to 850–1050°C (light red–yellow).

To harden the chisel again:

- Heat the chisel to 900°C and quench it in oil.
- Then place the chisel into the oven for 1 hour at 320°C (color is light blue).



Lubrication

Your power tool requires no additional lubrication.



Cleaning



WARNING: Blow dirt and dust out of the main housing with dry air as often as dirt is seen collecting in and around the air vents. Wear eye protection when performing this procedure.



WARNING: Never use solvents or other harsh chemicals for cleaning the non-metallic parts of the tool. These chemicals may weaken the materials used in these parts. Use a cloth dampened only with water and mild soap. Never let any liquid get inside the tool; never immerse any part of the tool into a liquid.

Optional Accessories



WARNING: Since accessories, other than those offered by DEWALT, have not been tested with this product, use of such accessories with this tool could be hazardous. To reduce the risk of injury, only DEWALT recommended accessories should be used with this product.

Consult your dealer for further information on the appropriate accessories.

Protecting the Environment



Separate collection. Products and batteries marked with this symbol must not be disposed of with normal household waste.

Products and batteries contain materials that can be recovered or recycled reducing the demand for raw materials. Please recycle electrical products and batteries according to local provisions. Further information is available at www.2helpU.com.

PERFORATEUR-BURINEUR

D25960, D25961

Félicitations !

Vous avez choisi un outil électrique DEWALT. Des années d'expérience, un développement de produits approfondi et une innovation constante font de DEWALT l'un des partenaires les plus fiables pour les utilisateurs d'outils électriques professionnels.

Caractéristiques techniques

		D25960	D25961
Tension	V	220–240	220–240
	V	120	120
Type		1	1
Fréquence	Hz	50/60	50/60
Puissance absorbée	W	1600	1600
Frappes par minute à vide	BPM	1450	1450
Énergie de choc individuel selon (EPTA 05/2009)	J	35	35
Supporte de la herramienta		28 mm Hex	30 mm Hex
Positions du burin		1	1
Poids	kg	18,4	16,9

Définitions : consignes de sécurité

Les définitions ci-dessous décrivent le niveau de gravité de chaque mot signalétique. Lisez le manuel de l'utilisateur et soyez attentif à ces symboles.



DANGER : indique une situation dangereuse imminente qui, si elle n'est pas évitée, **entraînera des blessures graves ou mortelles**.



AVERTISSEMENT : indique une situation dangereuse potentielle qui, si elle n'est pas évitée, **pourrait entraîner des blessures graves ou mortelles**.



ATTENTION : indique une situation dangereuse potentielle qui, si elle n'est pas évitée, **pourrait entraîner des blessures minimales** ou modérées.

AVIS : indique une pratique ne posant **aucun risque de dommages corporels** mais qui par contre, si rien n'est fait pour l'éviter, **pourrait poser des risques de dommages matériels**.



Indique un risque d'électrocution.



Indique un risque d'incendie.



AVERTISSEMENT : afin de réduire le risque de blessure, lisez le manuel d'instruction.

Avertissements de sécurité généraux pour les outils électriques



AVERTISSEMENT ! Lisez tous les avertissements de sécurité et toutes les consignes. Le non-respect de ces avertissements et consignes peut entraîner un choc électrique, un incendie et/ou de graves blessures.

CONSERVEZ TOUS LES AVERTISSEMENTS ET LES CONSIGNES POUR RÉFÉRENCE ULTÉRIEURE

Le terme « outil électrique » mentionné dans les avertissements se rapporte aux outils branchés sur secteur (avec câble de raccordement) ou fonctionnant sur piles (sans fil).

1) SÉCURITÉ DE L'AIRE DE TRAVAIL

- Maintenez l'aire de travail propre et bien éclairée.** Une aire de travail encombrée ou mal éclairée augmente les risques d'accident.
- N'utilisez pas les outils électriques dans un environnement explosif, comme en présence de liquides, gaz ou poussières inflammables.** Les outils électriques produisent des étincelles qui peuvent enflammer la poussière ou les émanations.
- Tenez à distance enfants et spectateurs pendant que vous opérez un outil électrique.** Une distraction peut vous faire perdre le contrôle de l'outil.

2) SÉCURITÉ ÉLECTRIQUE

- a) **La fiche de l'outil électrique doit correspondre avec la prise de courant. Ne modifiez en aucun cas la fiche. N'utilisez pas de fiches adaptatrices avec des outils électriques reliés à la terre (masse).** Les fiches non modifiées et les prises de courant adaptées réduisent les risques d'électrocution.
- b) **Évitez tout contact physique avec des surfaces reliées à la terre ou à la masse, tels que tuyaux, radiateurs, cuisinières électriques et réfrigérateurs.** Le risque d'électrocution augmente si votre corps est relié à la terre.
- c) **N'exposez pas les outils électriques à la pluie ou à l'humidité.** Le risque d'électrocution augmente si de l'eau pénètre dans un outil électrique.
- d) **Ne maltraitez pas le cordon d'alimentation. N'utilisez jamais le cordon pour transporter, tirer ou débrancher l'outil électrique. Tenez le cordon à l'écart des sources de chaleur, de l'huile, des bords tranchants ou des pièces en mouvement.** Le risque d'électrocution augmente si le cordon est endommagé ou entortillé.
- e) **Utilisez une rallonge conçue pour l'utilisation à l'extérieur si vous utilisez l'outil électrique dehors.** Le risque d'électrocution diminue si vous utilisez un cordon conçu pour l'utilisation à l'extérieur.
- f) **Si vous ne pouvez pas faire autrement qu'utiliser l'outil électrique dans un endroit humide, utilisez un circuit protégé par dispositif de courant résiduel (RCD).** L'utilisation d'un RCD réduit le risque d'électrocution.

3) SÉCURITÉ PERSONNELLE

- a) **Restez vigilant, surveillez vos gestes et faites preuve de bon sens lorsque vous utilisez un outil électrique. N'utilisez pas un outil électrique si vous êtes fatigué ou sous l'influence de drogues, d'alcool ou de médicaments.** Un moment d'inattention durant l'utilisation d'un outil électrique peut entraîner de graves blessures corporelles.
- b) **Utilisez un équipement de sécurité individuelle. Portez toujours des lunettes de sécurité.** Un équipement de sécurité comme un masque anti-poussières, des chaussures de sécurité antidérapantes, un casque de sécurité ou un serre-tête antibruit, utilisé selon la tâche à effectuer, permettront de diminuer le risque de blessures corporelles.

- c) **Évitez tout démarrage intempestif. Assurez-vous que l'interrupteur est en position arrêt avant de relier l'outil à la source d'alimentation et/ou au bloc-piles, ou de ramasser ou transporter l'outil.** Transporter les outils électriques le doigt placé sur l'interrupteur ainsi que brancher des outils électriques dont l'interrupteur est en position Marche augmentent les risques d'accident.
- d) **Retirez toute clé de réglage ou autre avant de mettre l'outil sous tension. Une clé laissée en place sur une pièce rotative de l'outil électrique peut entraîner des blessures corporelles.**
- e) **Ne vous penchez pas trop loin. Maintenez constamment votre équilibre.** Vous aurez ainsi une meilleure maîtrise de l'outil électrique en cas de situations imprévues.
- f) **Portez des vêtements adéquats. Ne portez pas de vêtements amples ni de bijoux. Maintenez cheveux, vêtements et gants à l'écart des pièces en mouvement.** Les pièces en mouvement peuvent happer les vêtements amples, les bijoux et les cheveux longs.
- g) **Si des accessoires sont fournis pour raccorder des dispositifs d'aspiration et de collecte de la poussière, vérifiez qu'ils sont bien raccordés et bien utilisés.** L'utilisation de dispositifs de collecte de la poussière peut réduire les risques liés à la poussière.

4) UTILISATION ET ENTRETIEN DES OUTILS ÉLECTRIQUES

- a) **Ne forcez pas l'outil électrique. Utilisez l'outil électrique qui correspond à votre utilisation.** Si vous utilisez l'outil électrique adéquat et respectez le régime pour lequel il a été conçu, il réalisera un travail de meilleure qualité et plus sûr.
- b) **N'utilisez pas l'outil électrique s'il est impossible de l'allumer ou de l'éteindre avec l'interrupteur.** Un outil électrique qui ne peut être contrôlé par l'interrupteur représente un danger et doit être réparé.
- c) **Débranchez la fiche de la source d'alimentation et/ou le bloc-piles de l'outil électrique avant d'effectuer des réglages, de changer les accessoires ou de ranger les outils électriques.** Ces mesures de sécurité préventives réduiront les risques de démarrage accidentel de l'outil électrique.
- d) **Après utilisation, rangez l'outil électrique hors de portée des enfants et ne laissez aucune personne l'utiliser si elle n'est pas familiarisée avec les outils électriques ou ces instructions.** Les outils électriques

représentent un danger entre des mains inexpertes.

- e) **Procédez à l'entretien des outils électriques.** Assurez-vous que les pièces en mouvement ne sont pas désalignées ou coincées, qu'aucune pièce n'est cassée ou que l'outil électrique n'a subi aucun dommage pouvant affecter son bon fonctionnement. Si l'outil électrique est endommagé, faites-le réparer avant de le réutiliser. De nombreux accidents sont causés par des outils mal entretenus.
- f) **Maintenez vos outils affûtés et propres.** Un outil bien entretenu et aux bords bien affûtés risquera moins de se coincer et sera plus facile à maîtriser.
- g) **Utilisez l'outil électrique, ses accessoires et ses embouts, etc. conformément aux instructions, en tenant compte des conditions de travail et de la tâche à effectuer.** L'utilisation d'un outil électrique à des fins autres que celles prévues est potentiellement dangereuse.

5) RÉPARATION

- a) **Confiez la réparation de votre outil électrique à un réparateur qualifié qui utilise des pièces de rechange identiques.** La sécurité de l'outil électrique sera ainsi préservée.

Consignes de sécurité supplémentaires pour les perforateurs-burineurs

- **Portez des protecteurs auditifs.** L'exposition au bruit peut entraîner une perte auditive.
- **Utilisez les poignées auxiliaires fournies avec l'outil.** Une perte de contrôle peut entraîner des blessures corporelles.
- **Tenez l'outil électrique par sa surface de prise isolée dans une situation où l'outil de coupe peut entrer en contact avec un câblage caché ou avec son propre cordon d'alimentation.** Accessoire de coupe Tout contact avec un fil « sous tension » risque de mettre « sous tension » les pièces métalliques exposées et d'électrocuter l'opérateur de l'outil.
- Assurez-vous que le matériau à percer ne dissimule pas de conduites d'alimentation en électricité ou en gaz et que les emplacements de ces conduites ont été vérifiés par les services publics.
- Tenez l'outil fermement en permanence. Utilisez toujours l'outil en le tenant des deux mains. L'utilisation de cet outil d'une seule main résultera en une perte de contrôle de l'outil. Le

perçage ou la découpe de matériaux rigides tels que les barres d'armature peut également présenter un danger. Serrez à fond la poignée latérale avant d'utiliser l'outil.

- Assurez-vous que le burin est solidement fixé en place avant d'utiliser l'outil.
- Par temps froid, ou lorsque l'outil n'a pas été utilisé pendant une période prolongée, faites-le tourner à vide pendant plusieurs minutes avant de l'utiliser.
- Lorsque vous travaillez en hauteur, assurez-vous que la zone au-dessous est dégagée.
- Ne touchez pas le burin ou les parties avoisinantes immédiatement après avoir utilisé l'outil, car ils peuvent être très chauds et vous brûler.
- Dirigez toujours le cordon électrique vers l'arrière, loin du burin.
- **N'utilisez pas cet outil pendant des périodes prolongées.** Les vibrations provoquées par l'action du marteau peuvent être nuisibles pour vos mains et vos bras. Portez des gants pour amortir les vibrations et limitez l'exposition en faisant des pauses fréquentes.



AVERTISSEMENT : nous recommandons l'utilisation d'un disjoncteur différentiel avec un seuil de déclenchement de 30mA ou moins.

Risques résiduels

Les risques suivants sont inhérents à l'utilisation des marteaux de démolition :

- Dommages corporels par contact avec les parties brûlantes de l'outil.

En dépit de l'application des normes de sécurité en vigueur et de l'installation de dispositifs de sécurité, certains risques résiduels sont inévitables. Il s'agit de :

- Diminution de l'acuité auditive ;
- Risques de se pincer les doigts lors du changement d'accessoires ;
- Risques pour la santé causés par l'inhalation de poussières dégagées lors du travail du béton et/ou de la maçonnerie.

Étiquettes sur l'appareil

On trouve les diagrammes suivants sur l'outil :



Lire la notice d'instructions avant toute utilisation.



Porter un dispositif de protection auditive.



Porter un dispositif de protection o

EMPLACEMENT DE LA DATE CODÉE DE FABRICATION (FIG. 1)

La date codée de fabrication (G), qui comprend aussi l'année de fabrication, est imprimée sur le boîtier.

Exemple :

2016 XX XX

Année de fabrication

Contenu de l'emballage

L'emballage contient :

- 1 perforateur-burineur
- 1 poignée latérale
- 1 Burin pointu
- 1 boîtier en plastique
- 1 manuel de l'utilisateur
- Vérifiez si l'outil, les pièces ou les accessoires ne présentent pas de dommages dus au transport.
- Prenez le temps de lire et de comprendre dans son intégralité ce manuel avant d'utiliser l'outil.

Description (fig. 1)

- A. Interrupteur Marche/Arrêt
- B. Poignée principale
- C. Bouton de serrage de poignée latérale
- D. Retenue d'outil
- E. Porte-outil
- F. Poignée latérale

UTILISATION PRÉVUE

Les perforateurs-burineurs D25960 et D25961 à haut rendement sont conçus pour les applications lourdes de démolition et de burinage.

NE L'UTILISEZ PAS dans un endroit humide ou en présence de liquides ou de gaz inflammables.

Ces perforateurs-burineurs à usage industriel sont des outils électriques professionnels.

TENEZ les enfants à l'écart de l'outil. Les utilisateurs inexpérimentés doivent être encadrés lorsqu'ils utilisent cet outil.

- Ce produit n'est pas prévu pour être utilisé par des personnes (y compris les enfants) dont les capacités physiques, sensorielles ou mentales sont réduites ou qui manquent d'expérience ou d'aptitudes, sauf si ces personnes sont surveillées par une autre personne responsable de leur sécurité. Ne jamais laisser les enfants seuls avec ce produit.

Contrôle de la vibration active

Le contrôle de la vibration active neutralise les vibrations et rebonds du mécanisme du marteau. Grâce à la réduction des vibrations exercées sur la main et le bras, l'utilisation pendant une plus longue durée est plus confortable et prolonge la durée de vie de l'unité.

Sécurité électrique

Le moteur électrique a été conçu pour une seule tension. Vérifiez toujours que l'alimentation correspond à la tension indiquée sur la plaque signalétique.



Votre outil DEWALT est à double isolation conformément à la norme EN 60745 ; un câble de mise à la terre n'est donc pas nécessaire.



AVERTISSEMENT : les appareils à 120 V doivent être utilisés avec des transformateurs d'isolation à l'épreuve des pannes doté d'un écran de terre entre l'enroulement primaire et secondaire.

Si le cordon d'alimentation est endommagé, remplacez-le par un cordon spécial disponible auprès du service après-vente DEWALT.

Remplacement de la fiche d'alimentation (Moyen-Orient et Afrique)

Si une nouvelle fiche d'alimentation doit être montée :

- Mettre soigneusement au rebut l'ancienne fiche.
- Raccorder le fil marron à la borne de phase dans la fiche.
- Raccorder le fil bleu à la borne de neutre.



AVERTISSEMENT : aucun branchement ne doit être fait à la borne de terre.

Suivez les instructions de montage fournies avec des fiches de bonne qualité. Fusible recommandé : 13 A.



AVERTISSEMENT : les appareils à 120 V doivent être utilisés avec des transformateurs d'isolation à l'épreuve des pannes doté d'un écran de terre entre l'enroulement primaire et secondaire.

Pour les unités de 120 V avec une puissance nominale de plus de 1500 W, nous recommandons l'installation d'une prise répondant à la norme BS4343..

Utilisation d'une rallonge

Si une rallonge s'avère nécessaire, utiliser une rallonge à trois fils homologuée et compatible avec la tension nominale de cet outil (se reporter à la section **Caractéristiques techniques**). La section minimale du conducteur est de 1,5 mm² pour une longueur maximale de 30 m.

En cas d'utilisation d'un dévidoir, dérouler systématiquement le câble sur toute sa longueur.

ASSEMBLAGE ET RÉGLAGE



AVERTISSEMENT : pour réduire tout risque de dommages corporels, arrêter l'outil et débrancher l'appareil du secteur avant d'installer ou de retirer tout accessoire, avant tout réglage ou changement de configuration ou lors de réparations. S'assurer que la gâchette est bien en position d'ARRÊT. Tout démarrage accidentel pourrait causer des dommages corporels.



AVERTISSEMENT : portez toujours des gants pour remplacer les accessoires. Les pièces métalliques à découvert de l'outil peuvent devenir très chaudes pendant l'opération.

Introduction et retrait des accessoires hexagonaux 28/30 mm (fig. 3, 4)

D25960

Cette machine utilise des burins avec une tige hexagonale de 28 mm.

D25961

Cette machine utilise des burins avec une tige hexagonale de 30 mm.

Seuls les accessoires DEWALT recommandés doivent être utilisés avec ce produit.

1. Nettoyez la tige du burin (fig. 3)

D25960

POUR INSTALLER UN BURIN AVEC RAINURE DANS LA TIGE (FIG. 4A)

1. Tirez la retenue d'outil (D) dans la position de déblocage.
2. Tenez le burin face au porte-outil avec la rainure (H) vers le haut.
3. Introduisez la tige du burin dans le porte-outil (E).
4. Poussez la retenue (D) vers l'arrière pour bloquer l'accessoire en position.

5. Tirez sur le burin pour vérifier qu'il est correctement verrouillé. La fonction de percussion nécessite que le burin puisse se déplacer axialement de plusieurs centimètres lorsqu'il est verrouillé dans le porte-outil.

6. Pour retirer un burin, tirez la retenue (D) vers l'arrière et sortez le burin du porte-outil (E).

POUR INSTALLER UN BURIN AVEC COLLIER SUR LA TIGE (FIG. 4B)

1. Tirez la retenue d'outil (D) dans la position de déblocage.
2. Introduisez la tige du burin dans le porte-outil (E).
3. Poussez la retenue (D) alignée avec la tige de l'accessoire pour bloquer l'accessoire dans la position.
4. Tirer sur le burin pour vérifier qu'il est correctement verrouillé. La fonction de percussion nécessite que le burin puisse se déplacer axialement de plusieurs centimètres lorsqu'il est verrouillé dans le porte-outil.
5. Pour retirer un burin, tirez la retenue (D) vers l'arrière et sortez le burin du porte-outil (E).

D25961

POUR INSTALLER UN BURIN AVEC RAINURE DANS LA TIGE (FIG. 4C)

1. Tirez le boulon de retenue (I) et tournez-le de 180° jusqu'en position de déblocage.
2. Tenez le burin face au porte-outil avec la rainure (H) vers le haut.
3. Introduisez la tige du burin dans le porte-outil (E).
4. Tirez le boulon de retenue (I) et tournez-le de 180° jusqu'en position de blocage.
5. Tirez sur le burin pour vérifier qu'il est correctement verrouillé. La fonction de percussion nécessite que le burin puisse se déplacer axialement de plusieurs centimètres lorsqu'il est verrouillé dans le porte-outil.
6. Pour retirer un burin, tirez le boulon de retenue (I) et tournez-le de 180° jusqu'en position de déblocage.

Réglage de la poignée latérale (fig. 1)

La poignée latérale (F) est assemblée sur la machine pour convenir aux droitiers comme aux gauchers.



AVERTISSEMENT : utilisez toujours la machine avec la poignée latérale correctement montée.

1. Desserrez la bouton de blocage (C) et faites tourner la poignée latérale dans la position désirée.
2. Verrouillez la poignée latérale en position en serrant le bouton de blocage (C).

FONCTIONNEMENT

Instructions d'utilisation



AVERTISSEMENT :

- *Respectez toujours les consignes de sécurité et les règles en vigueur.*
- *Vérifiez l'emplacement des tuyauteries et canalisations.*
- *Exercez une pression d'environ 20 à 30 kg sur l'outil. Exercer une force excessive n'accéléra pas le ciselage, mais diminuera les performances de l'outil et risque de réduire la durée de vie de l'outil.*

Position correcte des mains (fig. 2)



AVERTISSEMENT : *pour réduire tout risque de dommages corporels graves, adopter **SYSTÉMATIQUEMENT** la position des mains illustrée.*



AVERTISSEMENT : *pour réduire tout risque de dommages corporels graves, maintenir fermement et **SYSTÉMATIQUEMENT** l'outil pour anticiper toute réaction soudaine de sa part.*

IMPORTANT : L'outil doit être tenu en permanence avec les deux mains lors de l'utilisation.

Applications horizontales (fig. 2A) :

La position correcte des mains nécessite une main sur la poignée latérale (F) et l'autre main sur la poignée principale (B).

Applications verticales (fig. 2B) :

La position correcte des mains nécessite les deux mains sur la poignée principale (B).

Mise sous et hors tension de l'outil (fig. 1)

Mise sous tension : placez l'interrupteur Marche/ Arrêt (on/off) (A) sur la position 1.

Mise hors tension : placez l'interrupteur Marche/ Arrêt (A) sur la position 0.

Démolition, ciselage et burinage (fig. 1, 2)

1. Sélectionnez le burin approprié et nettoyez sa tige.
2. Introduisez le burin et vérifiez qu'il est correctement verrouillé.
3. Installez et réglez la poignée latérale (F) et assurez-vous qu'elle est bien serrée.
4. Tenez l'outil avec les deux mains sur la poignée principale (B) ou une main sur la poignée principale (B) et l'autre main sur la poignée latérale (F). L'outil doit être tenu en permanence avec les deux mains lors de l'utilisation. Consultez la section **Position correcte des mains**.
5. Mettez l'outil en marche en fonctionnement continu.
6. Toujours mettre l'outil à l'arrêt après le travail et avant de débrancher l'outil.

Vous trouverez différents types de burin en option.

Utilisez uniquement des accessoires recommandés par DEWALT avec ce produit.

ENTRETIEN

Votre outil électrique DEWALT a été conçu pour durer longtemps avec un minimum d'entretien. Son fonctionnement satisfaisant pendant de longues années repose sur un entretien soigneux et régulier.

Cette machine ne peut pas être réparée par l'utilisateur. Rapportez périodiquement l'outil chez un réparateur agréé DEWALT. Si des problèmes se produisent avant cette échéance, contactez un réparateur agréé DEWALT.

Entretien des accessoires (fig. 5, 6)



AVERTISSEMENT : *ces burins ne peuvent être meulés qu'un nombre limité de fois. Dans le doute, demandez les conseils de votre revendeur.*



AVERTISSEMENT : *assurez-vous que le bord tranchant ne présente pas de décoloration due à une pression excessive. Ceci pourrait endommager la dureté de l'accessoire.*

Pour de meilleurs résultats, utilisez uniquement des burins affûtés. L'affûtage fréquent des burins garantit une longue durée de vie des burins et les meilleures performances.

MEULAGE

Consultez la figure 5 pour les types de burins à utiliser avec cet outil.

Meulez les burins sur des meules avec un flux d'eau continu. Consultez la figure 6 pour connaître les angles appropriés des burins suivants :

- K. burin pointu
- L. burin plat
- M. burin à bout plat
- N. burin pelle

FORGEAGE

Pour le forgeage :

Chauffez le burin à 850–1050 °C (rouge clair-jaune).

Pour retremper le burin :

- Chauffez le burin à 900 °C et trempez-le dans l'huile.
- Placez ensuite le burin dans le four à 320 °C pendant 1 heure (couleur bleu clair).



Graissage

Votre outil électrique ne nécessite pas de graissage supplémentaire.



Nettoyage



AVERTISSEMENT : retirez la saleté et la poussière du logement principal en soufflant de l'air sec aussi souvent que vous remarquez de la saleté accumulée dans et autour des orifices d'aération. Portez des lunettes de sécurité lorsque vous effectuez cette tâche.



AVERTISSEMENT : n'utilisez jamais de solvants ou autres produits chimiques corrosifs pour nettoyer les pièces non métalliques de l'outil. Ils risqueraient d'affaiblir les matériaux utilisés dans ces pièces. Utilisez un chiffon imbibé d'eau et de détergent neutre. Ne laissez jamais un liquide pénétrer dans l'outil et n'immergez jamais les pièces de l'outil dans un liquide.

Accessoires en option



AVERTISSEMENT : l'utilisation d'accessoires autres que ceux fournis par DEWALT peut se révéler dangereuse car ils n'ont pas été testés sur ce produit. Afin de réduire le risque de blessure,

utilisez uniquement des accessoires recommandés par DEWALT.

Prenez contact avec votre revendeur pour obtenir de plus amples informations sur les accessoires appropriés.

Protection de l'environnement



Tri sélectif. Les produits et batteries marqués de ce symbole ne doivent pas être jetés avec les déchets ménagers.

Les produits et batteries contiennent des matières qui peuvent être récupérées et recyclées afin de réduire la demande en matières premières. Veuillez recycler les produits électriques et les batteries conformément aux dispositions locales en vigueur. Pour plus d'informations, consultez le site www.2helpU.com.

مطرقة الهدم

D25961، D25960

تهانينا!

لقد اخترت أداة من أدوات الطاقة من إنتاج DEWALT. سنوات الخبرة التي تمتد خلالها عمليات تطوير وابتكار المنتجات تجعل DEWALT من أكثر الشركاء الذين يمكن الاعتماد عليهم بالنسبة لمستخدمي الأدوات الآلية المهنية.

البيانات الفنية

D25961	D25960		
240-220	240-220	فولت	الفولطية
120	120	فولت	
1	1		النوع
60/50	60/50	هرتز	التردد
1600	1600	وات	إدخال الطاقة
1450	1450	BPM	عدد الطرقات في الدقيقة
35	35	J	طاقة التأثير المفرد (EPTA 05/2009)
30 مم سداسي	28 مم سداسي		حامل الأداة
1	1		أوضاع الأزميل
16.9	18.4	كغم	الوزن

احتفظ بجميع التحذيرات والتعليمات من أجل الرجوع إليها في المستقبل

يشير المصطلح «أداة كهربائية» في التحذيرات إلى الأداة الكهربائية التي تعمل بالطاقة الكهربائية (مزودة بسلك كهربائي) أو الأداة الكهربائية التي تعمل بالبطارية (غير مزودة بسلك كهربائي).

1) أمان منطقة العمل

- احتفظ بمنطقة العمل نظيفة ومضاءة بطريقة جيدة. حيث أن المناطق المتكدسة بغير نظام أو المظلمة تؤدي إلى وقوع الحوادث.
- لا تقم بتشغيل الأدوات الكهربائية في الأجواء المتفجرة. كان يوجد بالمكان سوائل أو غازات أو غبار قابل للاشتعال. قد تؤدي الأدوات الكهربائية التي تحدث شرارات في اشتعال الأثرية أو الأدخنة.
- حافظ على الأطفال والأشخاص المشاهدين بعيداً أثناء تشغيل الأداة الكهربائية. فقد يؤدي تشتت الانتباه إلى فقدان سيطرتك.

2) السلامة الكهربائية

- يجب أن يتطابق قابس الأداة الكهربائية مع مصدر التيار الكهربائي. لا تقم مطلقاً بإجراء تعديل على القابس بأي طريقة. لا تستخدم قابس المحول مع الأدوات الكهربائية المؤرضة (تم تأريضها). حيث ستقلل المقابس غير المعدلة ومصادر التيار الكهربائي المنتظمة من خطر حدوث صدمة كهربائية.
- تجنب تلامس الجسد مع الأسطح الأرضية أو المؤرضة كالأثاث، المشعاع والنظارات والثلاجات. حيث يوجد خطر متزايد من حدوث صدمة كهربائية إذا كان جسدك مؤرضاً أو نائباً على الأرض.
- لا تعرض الأدوات الكهربائية للمطر أو البلل. إذ سيؤدي الماء الذي يدخل الأداة الكهربائية إلى زيادة خطر حدوث صدمة كهربائية.

التعريفات: تعليمات الأمان

تصف التعريفات التالية مستوى أهمية كل كلمة تحذيرية. يرجى قراءة الدليل والانتباه لتلك الرموز.

خطر: تشير هذه الكلمة إلى وجود حالة خطر وشيكة. وإذا لم يتم تفاديها، فقد تؤدي إلى الوفاة أو الإصابة الجسيمة.



تحذير: تشير هذه الكلمة إلى وجود حالة خطر محتملة. وإذا لم يتم تفاديها، فقد تؤدي إلى الوفاة أو الإصابة الجسيمة.



تنبيه: تشير هذه الكلمة إلى وجود حالة خطر محتملة. وإذا لم يتم تفاديها، فقد تؤدي إلى حدوث إصابة بسيطة أو متوسطة.



ملاحظة: تشير إلى ممارسة غير متعلقة بإصابة شخصية. إذا لم يتم تفاديها، فقد تؤدي إلى ضرر الممتلكات.



تشير إلى خطر حدوث صدمة كهربائية.

تشير إلى خطر نشوب حريق.



تحذير: لتقليل خطر حدوث الإصابات، يرجى قراءة دليل التعليمات.



تحذيرات الأمان العامة للأدوات الكهربائية

تحذير! تفضل بقراءة جميع تحذيرات الأمان وكل التعليمات. عدم الالتزام باتباع هذه التحذيرات والتعليمات قد يؤدي إلى حدوث صدمة كهربائية و/أو نشوب حريق، و/أو إصابة جسيمة.



- (د) لا نستخدم الكابل بطريقة خاطئة. لا نستخدم مطلقاً السلك من أجل حمل الأشياء أو سحبها أو لنزع قابس الأداة الكهربائية. أبعد السلك عن الحرارة أو الزيوت أو الحواف الحادة أو الأجزاء المتحركة. إذ تزيد الأسلاك التالفة أو المتشابكة من خطر حدوث صعقة كهربائية.
- (هـ) عند تشغيل الأداة الكهربائية خارج المنزل، استخدم سلك استعطالة ملائم للاستخدام الخارجي، حيث إن استخدام السلك الملائم للاستخدام الخارجي يقلل من خطر حدوث الصعقة الكهربائية.
- (و) إذا لم يكن هناك مفر من تشغيل الأداة الكهربائية في أحد الأماكن الرطبة، فاستخدم مصدر إمداد محمي بجهاز قاطع الدورة (RCD). استخدام جهاز التيار المتبقي يقلل من خطر الصعقة الكهربائية.
- 3) السلامة الشخصية**
- (أ) ابق متيقظاً وراقب ما تقوم بفعله واستعن بالحواس العامة عند تشغيل الأداة الكهربائية. لا تستخدم الأداة الكهربائية عندما تكون متعباً أو تحت تأثير المخدرات أو الكحول أو الأدوية. قد تؤدي أي لحظة من السهو أثناء تشغيل الأدوات الكهربائية إلى حدوث إصابة جسدية جسيمة.
- (ب) استخدم معدات الوقاية الشخصية. قم دوماً بارتداء واقي العينين. إذ إن استخدام معدات الوقاية مثل كمامات الأتربة وأحذية الأمان المانعة للانزلاق، والخوذة الصلبة، أو واقي الأذن للحالات ذات الصلة سيقفل من الإصابات الشخصية.
- (ج) تجنب التشغيل العرضي. تأكد من أن المفتاح في وضع إيقاف التشغيل قبل التوصيل بمصدر الطاقة، و/أو مجموعة البطارية. أو التقاط أو حمل الأداة. حيث قد يؤدي حمل الأدوات الكهربائية أثناء وجود إصبعك على المفتاح أو إمداد الأدوات الكهربائية التي يكون مفتاحها بوضع التشغيل بالكهرباء إلى وقوع الحوادث.
- (د) قم بإخراج أي مفتاح ضبط أو مفتاح ربط قبل تشغيل الأداة الكهربائية. فقد يؤدي ترك مفتاح الربط أو المفتاح بالجزء الدوار بالأداة الكهربائية إلى حدوث إصابة شخصية.
- (هـ) تجنب مد يدك بعيداً بالجهاز. حافظ على ثبات موضع قدمك والتوازن طيلة الوقت. إذ يساعدك ذلك على التحكم بشكل أفضل في الأداة الكهربائية في المواقف الفجائية.
- (و) ارتد ملابس مناسبة. تجنب ارتداء ملابس أو مجوهرات فضفاضة. أبعد الشعر والملابس والقفازيات عن الأجزاء المتحركة. فقد تنحسر الملابس أو المجوهرات الفضفاضة أو الشعر الطويل في الأجزاء المتحركة.
- (ز) في حال توفير الأجهزة للتوصيل بوسائل استخلاص وتجميع الأتربة، فتأكد من توصيلها واستخدامها بطريقة صحيحة. حيث أن تجميع الأتربة قد يؤدي إلى تقليل المخاطر المتعلقة بالأتربة.
- 4) استخدام الأداة الكهربائية والعناية بها**
- (أ) لا تتعامل بالقوة مع الأداة الكهربائية. استخدم الأداة الكهربائية الملائمة لغرض الاستخدام الخاص بك، حيث ستعجز الأداة الكهربائية الملائمة المهمة بشكل أفضل وأكثر أماناً عند المعدل الذي صممت من أجله.
- (ب) لا تستخدم الأداة الكهربائية إذا كان المفتاح لا يؤدي إلى التشغيل وإيقاف التشغيل، حيث تشكل أي أداة كهربائية لا يمكن التحكم فيها بواسطة المفتاح خطورة ويجب إصلاحها.
- (ج) قم بفضل القابس من مصدر الطاقة و/أو مجموعة البطارية من الأداة الكهربائية قبل إجراء أي عمليات ضبط أو تغيير ملحقات أو تخزين الأدوات الكهربائية. تقلل إجراءات السلامة الوقائية هذه من خطر تشغيل الأداة الكهربائية بشكل فجائي.
- (د) قم بتخزين الأدوات الكهربائية المتوقفة عن العمل بعيداً عن متناول الأطفال ولا تدع الأشخاص غير الملمين بالأداة الكهربائية أو بهذه التعليمات يقومون بتشغيل الأداة الكهربائية. إذ تعد الأدوات الكهربائية مصدر خطورة في أيدي المستخدمين غير المدربين على استخدامها.
- (هـ) حافظ على الأدوات الكهربائية. افحص للتخري عن أي محاداة غير صحيحة أو تقييد للأجزاء المتحركة، أو كسر بالأجزاء وأي حالات أخرى قد تؤثر على تشغيل الأداة الكهربائية. وفي حال وجود تلف، قم بإصلاح الأداة الكهربائية قبل الاستخدام. حيث يرجع سبب وقوع العديد من الحوادث إلى الصيانة السيئة للأدوات الكهربائية.
- (و) حافظ على أدوات القطع في حالة حادة ونظيفة. حيث أن أدوات القطع التي تتم صيانتها بطريقة صحيحة ومزودة بحواف قطع حادة تتعرض بشكل أقل للاتصاق ويسهل التحكم بها على نحو أكبر.
- (ز) استخدم الأداة الكهربائية والملحقات ولقم الأداة وما شابه ذلك وفقاً لهذه التعليمات مع الأخذ في الاعتبار ظروف التشغيل والعمل المراد تنفيذه. إذ إن استخدام الأداة الكهربائية لعمليات مختلفة عن تلك العمليات المخصصة لها قد يؤدي إلى حالة خطيرة.
- 5) الخدعة**
- (أ) قم بصيانة الأداة الكهربائية الخاصة بك على يد فني إصلاح مؤهل وذلك من خلال استخدام أجزاء بديلة متطابقة فقط. حيث سيضمن ذلك الحفاظ على أمان الأداة الكهربائية.
- تعليمات السلامة الإضافية لمطابق الهدم**
- قم بارتداء واقيات الأذن. التعرض للضوضاء قد يؤدي إلى فقدان السمع.
 - استخدم المقابض الواردة مع الأداة. فقدان التحكم قد يؤدي إلى حدوث إصابة شخصية.
 - قم بإمسك الأدوات الكهربائية بواسطة أسطح الإمسك المعزولة عند تنفيذ العملية حيث قد تتلامس أداة القطع مع الأسلاك الخفية أو السلك الخاص به. ملحق القطع المتلامس مع السلك «النشط» قد يؤدي إلى «تنشيط» الأجزاء المعدنية المكشوفة من الأداة وتعرض المشغل للصدع.
 - تأكد من أن المواد المراد ثقبها لا يخفي فيها أي أشياء كهربائية أو غاز وأنه قد تم التحقق من صحة مواقعها بواسطة شركات المرافق العامة.
 - امسك الأداة بإحكام الأداة في كل الأوقات. لا تحاول تشغيل هذا الأداة بدون مسكها بكلتا يديك. تشغيل هذه الأداة بيد واحدة سيؤدي إلى فقدان التحكم. اختراق المواد الصلبة أو مصادفتها كالحديد قد يصيح من الأمور الخطيرة أيضاً. قم بإحكام ربط المقبض الجانبي جيداً قبل الاستخدام.
 - تأكد من أن الإزميل محكم الربط في موضعه قبل تشغيل الأداة.
 - في أحوال الطقس الباردة أو عندما لا يتم استخدام الأداة لفترة زمنية طويلة، فقم بترك الأداة بدون حمل لعدة دقائق قبل الاستخدام.
 - عند العمل فوق المستوى الأرضي، تأكد من أن المنطقة السفلية خالية.
 - لا تلمس الإزميل أو الأجزاء القريبة من الإزميل بعد التشغيل مباشرة لأنها تكون ساخنة للغاية وقد تؤدي إلى إصابة الجلد بحروق.
 - قم دوماً بتوجيه كابل الطاقة إلى الخلف. بعيداً عن الإزميل.
 - لا تقم بتشغيل هذه الأداة لفترات زمنية طويلة، فقد يؤدي الاهتزاز الناجم عن عمل المطرقة إلى إلحاق الأذى بيديك وذراعك.

- E. حامل الأداة
F. مقبض جانبي

الاستخدام المقصود

تم تصميم مطراق الهدم للخدمة الشاقة طراز D25961 و D25960 من أجل الاستخدام في عمليات الهدم للخدمة الشاقة واستخدامات التكسير.

لا تستخدمهما في ظروف البلل أو في وجود سوائل أو غازات قابلة للاشتعال.

مطرقة الهدم القوية من الأدوات الآلية المهنية.

لا تدع الأطفال يلعبون بالأداة. يكون الإشراف أمرًا ضروريًا عند استخدام مشغل قليل الخبرة لهذه الأداة.

- هذا المنتج غير مخصص للاستخدام من قبل الأفراد (بما في ذلك الأطفال) الذين يعانون من قصور في القدرات الجسدية أو الحسية أو العقلية، وقلة الخبرة أو المعرفة أو المهارات ما لم يكونوا تحت إشراف من يتحمل مسؤولية سلامتهم. لا ينبغي أن يُترك الأطفال وحدهم مع هذا المنتج.

مفتاح التحكم في الاهتزاز النشط

يعمل مفتاح التحكم في الاهتزاز النشط على تحييد اهتزاز الارتداد الناشئ من الية المطرقة. وينتج خفض اهتزاز اليدين والذراعين استخدامًا مريحًا بشكل أكبر لفترة زمنية طويلة ويطيل عمر الوحدة.

السلامة الكهربائية

تم تصميم المحرك الكهربائي لتحمل جهد كهربائي واحد فقط. تأكد دومًا من أن مصدر إمداد الطاقة مطابق للجهد الكهربائي المبين على لوحة التصنيف.

تم تزويد الأداة الخاصة بك من DEWALT بعازل مزدوج طبقًا لمعيار EN60745، لذا لا حاجة للسلك الأرضي.



تحذير: يجب تشغيل الوحدات بقدر 120 فولت من خلال محول العزل الآمن من المتعلل مع شاشة التاريض بين الملفات الرئيسية وغير الرئيسية.



إذا كان سلك إمداد الطاقة تالفًا، فيجب استبداله بسلك آخر معد خصيصًا متوفر لدى مركز خدمة DEWALT.

استبدال قابس التيار الرئيسي (الشرق الأوسط وإفريقيا)

إذا استدعت الضرورة تركيب قابس تيار رئيسي. فقم بالتالي:

- تخلص بأمان من القابس القديم.
- وصل السلك البني بطرف التوصيل النشط في القابس.
- وصل السلك الأزرق بطرف التوصيل المحايد.



تحذير: لا يتم إجراء أي توصيل بطرف التوصيل الأرضي. قم باتباع التعليمات الواردة مع القوابس ذات الجودة العالية. المنصهر الموصى باستخدامه: 7.3 أمبير.

للوحدات بقدر 120 فولت ذات تصنيف الطاقة الذي يتجاوز 1500 وات، نوصي بتركيب قابس متوافق مع المعيار BS4343.

تحذير: يجب تشغيل الوحدات بسبعة 120 فولت من خلال محول العزل الآمن من المتعلل مع شاشة التاريض بين الملفات الرئيسية وغير الرئيسية.



استخدم الفقايزات لتلطيف الصدمات والراحة الإضافية والحد من أخذ فترات متكررة من أجل الراحة.

تحذير: نوصي باستخدام جهاز قاطع الدورة مع ضبط قطع الدورة على 30 ملي أمبير أو أقل.



المخاطر المتبقية

تعتبر المخاطر التالية متصلة في استخدام مطراق الهدم:

- الإصابات الناجمة عن ملامسة الأجزاء الساخنة من الأداة.
- على الرغم من تطبيق تعليمات السلامة ذات الصلة والتزود بأجهزة الأمان، إلا أنه لا يمكن تفادي بعض المخاطر المتبقية المحددة. وتشمل هذه المخاطر ما يلي:
- ضعف السمع.
- خطر التعرض لعصر الأصابع عند تغيير الملحق.
- المخاطر الصحية الناجمة عن استنشاق الأتربة الناشئة عند العمل في الخرسانة و/أو الأبنية.

العلامات على الأداة

الصور التالية موضحة على الأداة:

اقرأ دليل التعليمات قبل الاستخدام.



قم بارتداء واقيات الأذن.



قم بارتداء واقيات العين.



وضع كود التاريخ (شكل 1)

كود التاريخ (G) الذي يتضمن كذلك عام التصنيع، مطبوع في الغلاف: مثال:

2016 XX XX
سنة التصنيع

محتويات العبوة

تحتوي العبوة على ما يلي:

- 1 مطرقة هدم
- 1 مقبض جانبي
- 1 إزميل مدبب
- 1 علبه بلاستيكية
- 1 دليل التعليمات
- افحص بحنًا من أي تلف لحق بالأداة أو الأجزاء أو الملحقات يمكن أن يكون قد حدث أثناء النقل.
- خذ الوقت اللازم لقراءة هذا الدليل وافهمه جيدًا قبل التشغيل.

الوصف (الشكل 1)

- A. مفتاح التشغيل/ إيقاف التشغيل
- B. المقبض الرئيسي
- C. عقدة شوك المقبض الجانبي
- D. مثبت الأداة

D25961

تركيب الإزميل ذي المجرى في الساق، (الشكل ج)

1. اسحب مسمار التثبيت (I) وأدره بزاوية 180 درجة إلى وضع الفتح.
2. امسك الإزميل أمام حامل الأداة مع توجيه المجرى (H) لأعلى.
3. أدخل ساق الإزميل في حامل الأداة (E).
4. اسحب مسمار التثبيت (I) وأعد إدارته بزاوية 180 درجة مرة أخرى إلى وضع الغلق.
5. اسحب الإزميل للتحقق إذا ما كان مقللاً بطريقة صحيحة أم لا. تتطلب وظيفة الطرق أن يكون الإزميل قادرًا على التحرك بشكل محوري عدة سنتيمترات عندما يتم قفلها في حامل الأداة.
6. إزالة الإزميل، اسحب مسمار التثبيت (I) وأدره بزاوية 180 درجة إلى وضع الفتح.

ضبط المقبض الجانبي (شكل 1)

يمكن تثبيت المقبض الجانبي (F) على الآلة لملاءمة المستخدمين الذين يستخدمون اليد اليمنى أو اليسرى على حد سواء.

تحذير: قم دوماً بتشغيل الآلة والمقبض الجانبي مركب بطريقة صحيحة.

1. قم بفتح مقبض المشبك (C) وقم بتدوير المقبض الجانبي إلى الموضع المطلوب.
2. اقلل المقبض الجانبي في مكانه عن طريق إحكام تثبيت عقدة المشبك (C).

التشغيل

تعليمات الاستخدام



تحذير:

- التزم دوماً بتعليمات الأمان واللوائح المعمول بها.
- كن على دراية بموقع الأنابيب والأسلاك.
- استخدم ضغطًا يبلغ حوالي 20-30 كغم على الأداة. القوة المفرطة لا تؤدي إلى تسريع عملية الهدم فحسب ولكنها تقلل من أداء الأداة وقد تقصر من عمر تشغيل الأداة.

الوضع اليدوي الصحيح (الشكل 2)

تحذير: لتقليل خطر حدوث الإصابة الشخصية الجسدية، استخدم دوماً الوضع اليدوي الملائم كما هو موضح.

تحذير: لخفض خطر التعرض للإصابة الجسدية الجسدية، أمسك دوماً الأداة بإحكام عند توقع حدوث رد فعل مفاجئ.

مهم: يجب أن يتم الإمساك بالأداة بكلتا اليدين بصفة دائمة أثناء الاستخدام.

التطبيقات الأفقية (شكل 2):

يتطلب الوضع اليدوي الملائم استخدام يد واحدة على المقبض الجانبي (F)، مع وجود اليد الأخرى على المقبض الرئيسي (B).

استخدام كابل الاستطالة

إذا كان الأمر يتطلب استخدام كابل استطالة، فاستخدم كابل استطالة بثلاث سنون ملائم لدخل طاقة هذه الأداة (انظر البيانات التقنية). الحد الأدنى لحجم الموصل هو 1.5 مم² الطول الأقصى هو 30 م. عند استخدام بكرة الكابل، قم دوماً بفك الكابل تمامًا.

التجميع والضبط



تحذير: لخفض خطر التعرض للإصابة، قم بإيقاف تشغيل الوحدة، وفصل الماكينة من مصدر الطاقة قبل تركيب المحلفات وفكها. وقبل ضبط أو تغيير الإعدادات، أو عند إجراء الإصلاحات، تأكد من أن مفتاح التشغيل في وضع OFF (إيقاف التشغيل). قد يؤدي بدء التشغيل غير المقصود إلى حدوث إصابة.

تحذير: ارتد دائمًا قفازات عند تغيير الملحقات. قد تصبح الأجزاء المعدنية المكشوفة في الأداة والملحق ساخنة للغاية أثناء التشغيل.

إدخال وإزالة الملحقات السداسية مقاس 30 / 28 مم سداسي (الشكلان 3 و4)

D25960

تستخدم هذه الآلة أز اميل بساق سداسي مقاس 28 مم.

D25961

تستخدم هذه الآلة أز اميل بساق سداسي مقاس 30 مم.

يجب استخدام ملحقات DEWALT الموصى بها فقط مع هذا المنتج.

1. قم بتنظيف ساق الإزميل (الشكل 3).

D25960

تركيب الإزميل ذي المجرى في الساق، (الشكل أ)

1. اسحب مثبت الأداة (D) إلى وضع الفتح.
2. امسك الإزميل أمام حامل الأداة مع توجيه المجرى (H) لأعلى.
3. أدخل ساق الإزميل في حامل الأداة (E).
4. ادفع المثبت (D) إلى الوراء لقفل الملحق في موضعه.
5. اسحب الإزميل للتحقق إذا ما كان مقللاً بطريقة صحيحة أم لا. تتطلب وظيفة الطرق أن يكون الإزميل قادرًا على التحرك بشكل محوري عدة سنتيمترات عندما يتم قفلها في حامل الأداة.
6. إزالة إزميل، اسحب المثبت (D) للخلف، واسحب الإزميل خارج حامل الأداة (E).

تركيب الإزميل ذي الطوق في الساق، (الشكل 4ب)

1. اسحب مثبت الأداة (D) إلى وضع الفتح.
2. أدخل ساق الإزميل في حامل الأداة (E).
3. ادفع المثبت (D) تمسكًا مع ساق الملحق لقفل الملحق في موضعه.
4. اسحب الإزميل للتحقق إذا ما كان مقللاً بطريقة صحيحة أم لا. تتطلب وظيفة الطرق أن يكون الإزميل قادرًا على التحرك بشكل محوري عدة سنتيمترات عندما يتم قفلها في حامل الأداة.
5. إزالة إزميل، اسحب المثبت (D) للخلف، واسحب الإزميل خارج حامل الأداة (E).

M. إزميل عريض

N. محرفة الطين

السبك

للسبك:

قم بتسخين الإزميل إلى درجة حرارة 850-1050 درجة مئوية (أحمر خفيف - أصفر).

لجعل الإزميل صلباً مرة أخرى:

• قم بتسخين الإزميل إلى درجة حرارة 900 درجة مئوية ثم قم بإطفائه في الزيت.

• ثم ضع الإزميل في الفرن لمدة ساعة على درجة حرارة 320 درجة مئوية (اللون أزرق فاتح).



التشحيم

لا تحتاج الأداة الكهربائية الخاصة بك إلى أي تشحيم إضافي.



التنظيف

تحذير: قم بنفخ الأتربة والغبار خارج التجويف الرئيسي بواسطة الهواء الجاف عدد أكبر من المرات في حال مشاهدة تجمع الأتربة بداخل المنافذ الهوائية وحولها. ارتد واقيات العين أثناء تنفيذ هذا الإجراء.



تحذير: لا تقم مطلقاً باستخدام مذيبات أو أي مواد كيميائية قاسية أخرى لتنظيف الأجزاء غير المعدنية بالأداة. إذ قد تضعف هذه المواد الكيميائية من المواد المستخدمة في هذه الأجزاء. استخدم قطعة قماش مبللة بالماء والصابون الخفيف فقط. لا تسمح قط بدخول أي سائل إلى الأداة. ولا تقم مطلقاً بغمر أي جزء من الأداة في السائل.



الملحقات الاختيارية

تحذير: نظراً لأن الملحقات، بخلاف تلك التي اعتمدها DEWALT، لم تخضع للاختبار مع هذا المنتج، فإن استخدام مثل هذه الملحقات مع الأداة قد يشكل خطراً لتقليل خطر وقوع إصابة، يجب استخدام ملحقات DEWALT الموصى بها فقط مع هذا المنتج.



استشر وكيلك لمعرفة المزيد من المعلومات حول الملحقات الملائمة.

حماية البيئة

التجميع المنفصل. يجب عدم التخلص من المنتجات والبطاريات المحددة بهذا الرمز من خلال القمامة المنزلية العادية.



هذه المنتجات والبطاريات تحتوي على مواد يمكن استعادتها أو إعادة تدويرها لخفض الطلب على المواد الخام. الرجاء التخلص من المنتجات الكهربائية والبطاريات وفقاً للتوانين المحلية. توجد معلومات إضافية متوفرة على الموقع www.2helpu.com.

التطبيقات الرأسية (شكل ب-2):

يستلزم وضع الديدن بشكل صحيح وضع كلتا الديدن على المقبض الرئيسي (B).

التشغيل وإيقاف التشغيل (الشكل 1)

التشغيل: اضبط مفتاح التشغيل/إيقاف التشغيل (A) على الوضع 1.

التشغيل: اضبط مفتاح التشغيل/إيقاف التشغيل (A) على الوضع 0.

الهدم، والترصيع، وحفر القنوات (الشكلان 1 و 2)

1. حدد الإزميل المناسب وقم بتنظيف ساقه.
2. أدخل الإزميل وتحقق إذا ما كان مقللاً بطريقة صحيحة أم لا.
3. قم بتثبيت وضبط المقبض الجانبي (F)، وتأكد من إحكام تثبيته.
4. امسك الأداة بوضع كلتا يديك على المقبض الرئيسي (B) أو بوضع يد واحدة على المقبض الرئيسي (B) واليد الأخرى على المقبض الجانبي (F). يجب أن يتم الإمساك بالأداة بكلتا الديدن بصفة دائمة أثناء الاستخدام. ارجع إلى طريقة الإمساك الصحيحة باليد.
5. قم بتشغيل الأداة للعمل في وضع التشغيل المستمر.
6. قم دوماً بإيقاف تشغيل الأداة عند الانتهاء من العمل وقيل فصل القابس.

الأنواع المتنوعة للإزميل السداسية متوفرة كتجهيزات اختيارية.

يجب استخدام ملحقات DEWALT الموصى بها فقط مع هذا المنتج.

الصيانة

تم تصميم الأداة الكهربائية DEWALT الخاصة بك للعمل خلال فترة زمنية طويلة مع أدنى حد من الصيانة. يعتمد التشغيل المرضي المتواصل على العناية الملائمة بالأداة وتنظيفها بشكل منتظم.

هذا الجهاز لا يمكن خدمته من قبل المستخدم. خذ الأداة إلى مركز خدمة معتمد تابع لـ DEWALT بشكل دوري. إذا استمرت المشكلة قبل هذه الفترة، فاتصل بوكيل إصلاح DEWALT المعتمد.

صيانة الملحقات (الشكلان 5 و 6)

تحذير: يمكن تجديد هذه الأزميل لعدد محدود فقط من المرات. وفي حالة الشك، يُرجى الاتصال بالموزع للاطلاع على التوصيات.



تحذير: تأكد من أن حافة القطع لا تعرض نصول الألوان الذي يتسبب عن الضغط الأكبر من اللازم. فقد يؤدي هذا إلى إضعاف صلابة الملحق.



للحصول على أفضل النتائج، لا تستخدم إلا لقم الإزميل الحادة. ويؤدي شحذ لقم الإزميل بشكل متكرر إلى ضمان إطالة عمر لقم الإزميل والحصول على أفضل نتائج أداء.

الطحن

ارجع إلى الشكل 5 للتعرف على أنواع الأزميل التي يمكن استخدامها مع هذه الأداة.

قم بطحن الأزميل على أقراص الطحن مع تنفقات مستمرة من المياه. يُرجى الرجوع إلى الشكل 6 للحصول على الزوايا المناسبة للأزميل التالية:

K. إزميل مدبب

L. إزميل مسطح

Afghanistan	Ariana Hafiz Zabi Co. Ltd. Dahan Bagh Squire Karte Ariana, Kabul, Afghanistan	info@arianahafiz.com	Tel: 93-0-799331079 Fax: 93-0-700007576 / 93-0-799331079
Algeria	Sarl Outillage Corporation 08, Rue Med Boudiaf (ex TELLA Achen) Cheraga, Alger	hakim.merjadji@outillage-dz.com lyes@outillage-dz.com Mali.faiza@outillage-dz.com; sidahmed@outillage-dz.com	Tel: 213-0-21375130 213-0-21375131 Fax: 213-0-21369667
Angola	Angoferraria, Lda. Rua Robert Shields, nº 61, Luanda, Angola	angoferraria@gmail.com sequeira.angoferraria@gmail.com	Tel: 244-222-395837 / 244-222-395034 Fax: 244-222-394790
Azerbaijan	Royalton Holdings Ltd. 41 Khagani St. Apt. 47 AZ1001 Baku- Azerbaijan	jai@royaltonholdings.com office@royaltonholdings.com	Tel: 994-12-4935544 Fax: 994-12-5980378
Egypt	ElFarab S.A.E. 15-Nabil El Wakkad Street, Dokki, Giza, Egypt	elfarab@elfarab.com adel.ezzat@elfarab.com mahmoud.elhosseiny@elfarab.com	Tel: 202-37603946 Fax: 202-33352796
Ethiopia	Seif Tewfik Sherif Arada Sub City, Kebele 01/02, Global Insurance Bldg., 2nd Flr., Room 43, P.O. Box 2525, Addis Ababa	seif@ethionet.et nawanag@ethionet.et	Tel: 251-11-1563968 251-11-1563969 Fax: 251-11-1558009
Iraq	Al-Sard Co. for General Trading Ltd Jbara Bldg. 3Flr. Al Rasheed St., Baghdad, Iraq	dewalt.service@yahoo.com	Tel: 964-18184102
Jordan	Amman West Stores-Bashiti 210 Garden St. Tla'a Ali, P.O. Box 1564 Tla Ali Amman 11953, Jordan	ali@bashitistores.com yousef@bashitistores.com	Tel: 962-6-5350009 Fax: 962-6-5350012
Kenya	Dextron Tools Ltd. P.O. Box 20121-00200, Shariff House, Kimathi Street, Nairobi	info@alibhaishariff.co.ke dextron@alibhaishariff.co.ke	Tel: 254-20-6905000 254-20-2358021 Fax: 254-20-6905111 / 254-20-6905112
Lebanon	Est. Shaya & Azar S.A.R.L. Boulevard Jdeideh - Mar Takla - Bouchrieh . P.O. Box 90545, Jdeideh, Beirut - Lebanon	shayazar@dm.net.lb	Tel: 961 1 872305 961 1 872306 Fax: 961 1 872303
Libya	North Africa Trading (El Ghoul Brothers) P.O. Box 348, 7 October Street 11 Benghazi	maryam_farooq2003@yahoo.com nagte@eim.ae dewalt_libya@yahoo.com	Tel: 218-061-3383994 Fax: 218-092-7640688
	North Africa Trading (El Ghoul Brothers) AlBarniq DEWALT Center, Mokhazin-elsukar St. ElFallah, Tripoli	dewalt_libya@yahoo.com	Tel: 218-021-3606430 Fax: 218-092-6514813
	North Africa Trading (El Ghoul Brothers) Al-Hilal Service Center Tawergha St., Misurata		Tel: 218-091-3221408
Mauritius	Robert Le Marie Limited Old Moka Road, Bell Village, P.O. Box 161, Port Louis	a.blackburn.rm@rlmgroup.mu jm.pierrelouis.rm@rlmgroup.mu	Tel: 230-212 1865 230-212 2847 Fax: 230-2080843
Morocco	Ets Louis Guillaud & Cie 31, Rue Pierre Parent, Casablanca - 21000	boumadiane.azedine@elg.ma doukkail.marouane@elg.ma	Tel: 522-301446 / 305971 / 317815 / 315576 Fax: 522-444518 / 317888
Nigeria	Meridian Power Tools Ltd. Gr. Floor, #1 Alhaji Masha Rd, Next to Teslim Balogun Stadium, Near National Stadium Surulere, Lagos, Nigeria	braj@meridian-nigeria.com	Tel: 234-1-7740431 234-1-7740410 Fax: 234-1-7913798
Pakistan	Northern Toolings (Pvt) Ltd.-Lahore 86- Railway Road, Lahore - 7 Pakistan	zhayee@northern.pk import@northern.pk sales@northern.pk	Tel: 92-423-7651220 92-423-7641675 Fax: 92-423-7641674
	Northern Toolings (Pvt) Ltd.-Karachi 224-231 Industrial Town Plaza, Shahrah-e-Liaqat, Karachi, Pakistan	karachibr@northern.pk	Tel: 92-213-2465305 92-213-2465307 Fax: 92-213-2465301
	Northern Toolings (Pvt) Ltd.-Taxila Al-Rehman Plaza, Opposite Tehsil Court, Faisal Shaheed Road, Taxila	taxilabr@northern.pk	Tel: 92-51-4545811 Fax: 92-51-4544194
South Africa	Benray Tool Wholesalers C.C. 91 Turfontein Road, Stafford, Johannesburg, 2001 P.O. Box 260037 EXCOM 2023, South Africa	dewaltservice@benray.co.za zain@benray.co.za shafiq@benray.co.za	Tel: 27-11-6838350 Fax: 27-11-6837456
Tanzania	General Motors Investment Ltd. 14 Vingunguti-Nyerere Road, P.O.Box 16541, Dar es Salaam, Tanzania	ezra@gmi-tz.com info@gmi-tz.com chiwelesa@yahoo.com	Tel: 255-22-2865022 / 2862661 / 2862671 / 2862659 Fax: 255-22-2862667
Tunisia	Ets. Mohamed Ghorbel 03 Rue 8603 Chargaui 1 Tunis. Postal Code 2035	slim.ghorbel@gnet.tn moh.ghorbel@gnet.tn mourad.ghorbel@gnet.tn	Tel: 216-71794248 216-71793848 Fax: 216-71770759
Uganda	The Building Center (U) Ltd. 52 Station Road, Kitgum House, P.O. Box 7436 Kampala, Uganda	tbc@africaonline.co.ug chris@tbcu.co.ug	Tel: 256-041-4234567 256-041-4259754 Fax: 256-041-4236413
Yemen	Middle East Trading Co. (METCO) 5th Flr.Hayel Saeed Anam Bldg. Al-Muganma St. Taiz, Yemen	tamer.metco@gmail.com tamer@metcotrading.com metco@metcotrading.com sami@metcotrading.com	Tel: 967-4-213455 Fax: 967-4-219869
	Middle East Trading Co. (METCO) Mualla Dakka, Aden	tamer.metco@gmail.com tamer@metcotrading.com metco@metcotrading.com	Tel: 967-2-222670 Fax: 967-2-222670
	Middle East Trading Co. (METCO) Hayel st., Sana'a, Yemen	tamer.metco@gmail.com tamer@metcotrading.com metco@metcotrading.com	Tel: 967-1-204201 Fax: 967-1-204204

UAE	Black & Decker (Overseas) GmbH P.O. Box 5420, Dubai	service.mea@blackdecker.com	Tel: 971-4 8127400 / 8127406 Fax: 971-4 2822765	
	Ideal Star Workshop Eppt. Trading LLC P.O. Box 37116, Al Quoz, Dubai	idealeq@emirates.net.ae	Tel: 971-4 3474160 Fax: 971-4 3474157	
	Alebrah Engineering Service P.O. Box 78954, Al Qusais, Dubai	alebrah@eim.ae	Tel: 971-4 2850044 Fax: 971-4 2844802	
	Burj Al Madeena Industrial Area No. 1, opp. Pakistani Masjid P.O. Box 37635, Sharjah	dewaltuae@hotmail.com	Tel: 971-6 5337747 Fax: 971-6 5337719	
	McCoy Middle East LLC P.O. Box 25793, Sharjah	mccoy@emirates.net.ae	Tel: 971-6 5395931 Fax: 971-6 5395932	
	McCoy Middle East LLC P.O. Box 10584, Ras Al Khaimah	mccoyrak@gmail.com	Tel: 971-7 2277095 Fax: 971-7 2277096	
	Al Sukoon Gen. Trdg. Co. LLC P.O. Box 2975, Ajman	sukoon@eim.ae	Tel: 971-6 7435725 / 7438317 Fax: 971-6 7437350	
	Zillion Equipment and Spare Parts Trading LLC P.O. Box 19740, opp. Bin Sadal / Trimix Redymix Sanaiya, Al Ain	zilliontrdg@gmail.com	Tel: 971-3 7216690 Fax: 971-3 7216103	
	Light House Electrical, Abu Dhabi Branch P.O. Box 120, Abu Dhabi	dewalt_lhe@hotmail.com	Tel: 971-2 6726131 Fax: 971-2 6720667	
	Light House Electrical, Musaffah Branch P.O. Box 120, Abu Dhabi	dewalt_lhe@hotmail.com	Tel: 971-2 5548315 Fax: 971-2 5540461	
	Bahrain	Alfouz Services Co. WLL P.O. Box 26562, Tubli, Manama	alfouz@batelco.com.bh	Tel: 973 17783562 / 17879987 Fax: 973 17783479
		Kavalani & Sons W.L.L. P.O. Box 71, Sitra, Manama	info@kavalani.com pradeep@kavalani.com	Tel: 973 17732888 Fax: 973 17737379
	Kuwait	Al Omar Technical Co. P.O. Box 4062, Safat 13041, Kuwait	alexotc@usa.net	Tel: 965 24848595 / 24840039 Fax: 965 24845652
Fawaz Al Zayani Establishment P.O. Box 42426, Shop No.18, Al Humalzi Commercial Complex, Khalifa Al Jassim, Shuwaikh		dewaltkuwait@hotmail.com	Tel: 965 24828710 Fax: 965 24828716	
Fawaz Al Zayani Establishment Fahaheel Industrial Area, Main St., Sanaya		dewaltkuwait@hotmail.com	Tel: 965 23925830 Fax: 965 24828716	
Oman	Al Jizzi Company LLC P.O. Box 1704, P.C. 112, Ruwi	aljizied@omantel.net.om jizzi10@omantel.net.om	Tel: 968 24832618 / 24835153 Fax: 968 24831334 / 24836460	
	Al Hassan Technical & Construction Supplies Co. LLC P.O. Box 1948, P.C. 112, Ruwi	hamriya.sr@al-hassan.com abr.ar.h@al-hassan.com	Tel: 968 24810575 / 24837054 Fax: 968 24810287 / 24833080	
	Oman Hardware Co. LLC P.O. Box 635, Ruwi Postal Code 112	omanhard@omantel.net.om	Tel: 968 24815131 Fax: 968 24816491	
	Khimji Ramdas P.O. Box 19, Post Code 100, Ghala, Muscat	bilal.m@khimjiramdas.com	Tel: 968 24595906/ 907 Fax: 968 24852752	
	Qatar	Teyseer Industrial Supplies & Services Co. WLL 55, Al Wakalat St. (Between St. 18 & 19) Salwa Industrial Area, P.O. Box 40523 Doha	manish@tissco-qatar.com tool.service@tissco-qatar.com	Tel: 974 4581536 Fax: 974 4682024
Shaheen Electrical Works & Trading Co. WLL Gate 34, St. 44 Industrial Area P.O. Box 9756, Doha		shaheenelc@gmail.com	Tel: 974 460 02 30 / 460 05 25 Fax: 974 460 13 38	
KSA	Industrial Material Organization (IMO) P.O. Box 623, Rail Street, Riyadh	service@imo.com.sa	Tel: 966-1 4028010 Ext. 26 Tel: 966-1 8001245757 Fax: 966-1 4037970	
	Fawaz Ebrahim Al Zayani Trading Est. P.O. Box 76026, Al Raka : 31952	dewaltdammam@hotmail.com	Tel: 966-3 8140914 Fax: 966-3 8140824	
	MSS (Al-Mojil Supply & Services) P.O. Box 450, Jubail 31951	mssjubail@almojilservices.com alex.chang@almojilservices.com	Tel: 966-3 3612850 / 3624487 Tel: 966-3 3621729 Fax: 966-3 3623589 / 3620783	
	Opp-Gulf Bridge Library & Riyadh House			
	EAC (Al Yousef Contg. & Trdg. Est.) P.O. Box 30377, Jeddah -21477	golamkibria77@yahoo.com	Tel: 966-2 6519912 Fax: 966-2 6511153	
	Mohamed Ahmed Bin Afif Est. P.O. Box 530, Yanbu, Al Bahr	binafifyanbu@hotmail.com	Tel: 966-4 3222626 / 3228867 Fax: 966-4 3222210	
	Garziz Trading for Bldg Mat & Decoration P.O. Box 3364, Madina	agarziz@yahoo.com	Tel: 966-4 826 14 90 / 822 76 36 Fax: 966-4 826 57 41	
	Sultan Garment Factory (RSC) P.O. Box 29912, Riyadh 11467	rscservice@digl.net.sa	Tel: 966-1 4055148 / 4042889 Fax: 966-1 4055148	
	Al Bawardi Tools & Hardware P.O. Box 112, Dammam 31411	asattar@albawardi.com nibanez@albawardi.com	Tel: 966-3 8330780 Ext. 24 Tel: 966-3 8348585 Ext. 24 Fax: 966-3 8336303	
	Al Bawardi Tools & Hardware P.O. Box 68, Riyadh 11411	rbaltao@albawardi.com asamad@albawardi.com	Tel: 966-1 4484999 Fax: 966-3 4487877	
	Al Bawardi Tools & Hardware P.O. Box 16905, Jeddah 21474	sharadij@albawardi.com fgaber@albawardi.com	Tel: 966-2 6444547 / 6439035 Tel: 966-2 6456095 Fax: 966-2 6439024	