

---

# DEWALT®

---

[www.DEWALT.com](http://www.DEWALT.com)

DW803  
DW810

---

<b>English (<i>original instructions</i>)</b>	<b>3</b>
<b>Bahasa Indonesia (<i>petunjuk asli</i>)</b>	<b>10</b>
<b>ภาษาไทย(<i>คำแนะนำเดิม</i>)</b>	<b>18</b>
<b>Tiếng Việt (<i>bản dịch hướng dẫn</i>)</b>	<b>25</b>

---

Figure 1

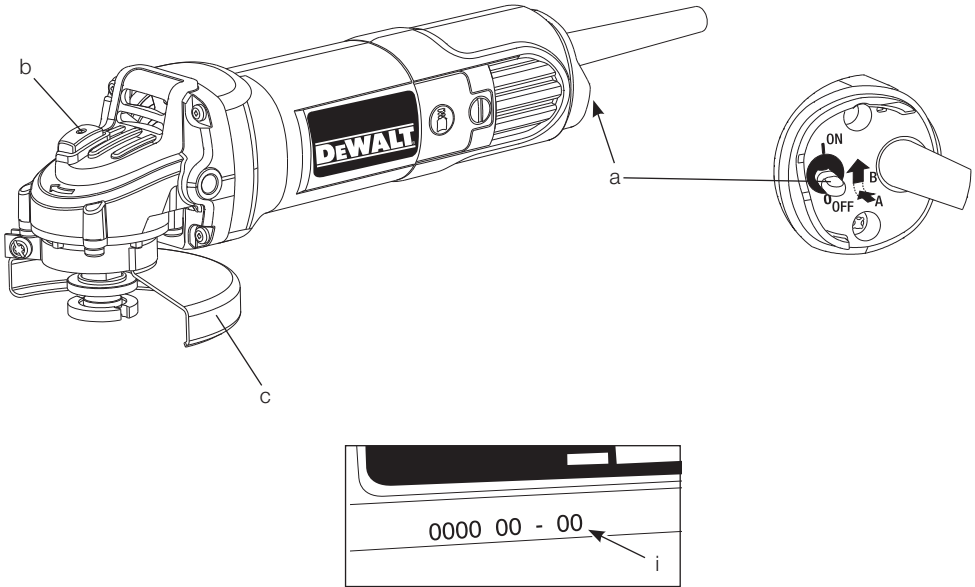


Figure 2

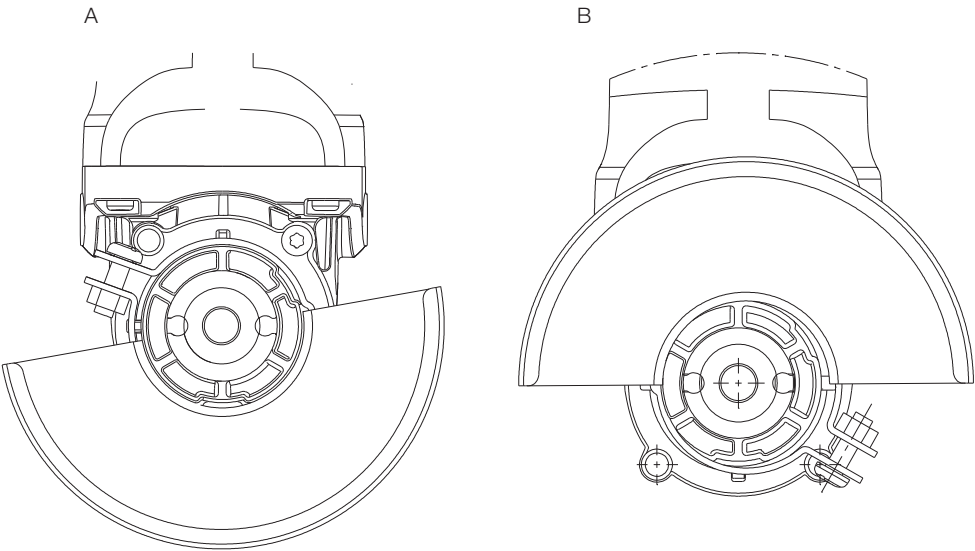


Figure 3

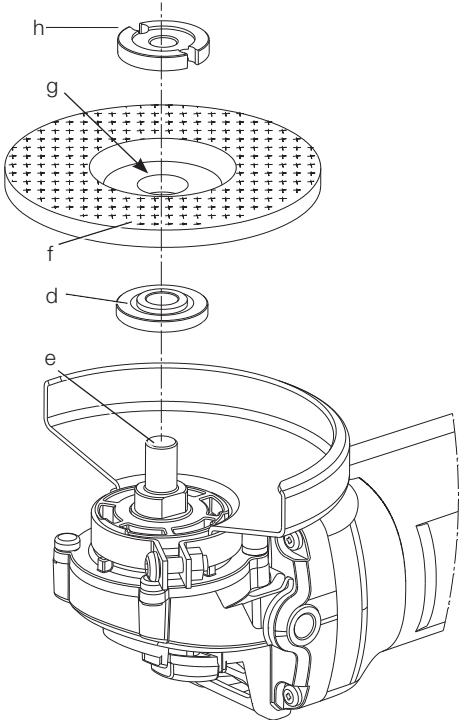
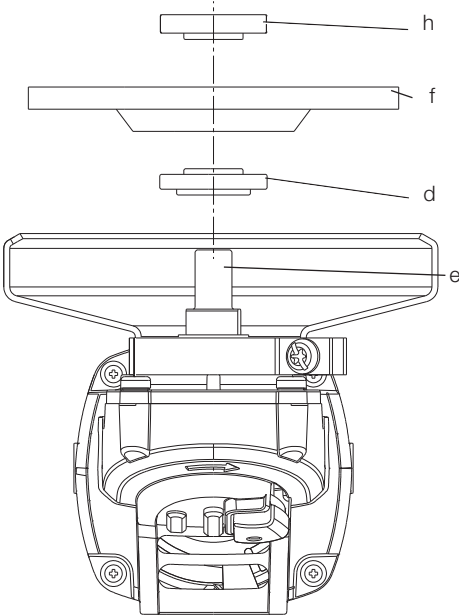


Figure 4



# ANGLE GRINDERS

## DW803/DW810

### Congratulations!

You have chosen a DEWALT tool. Years of experience, thorough product development and innovation make DEWALT one of the most reliable partners for professional power tool users.

### Technical Data

		DW803/B1	DW803/XD	DW803/A9
Type		10	10	10
Power input	W	800	800	800
No-load speed/rated speed	min <sup>-1</sup>	12,000	12,000	12,000
Wheel diameter	mm	100	100	100
Grinding wheels thickness	mm	6	6	6
Type of wheel		27	27	27
Spindle diameter		M10	M10	M10
Weight	kg	1.9	1.9	1.9

		DW810/B1	DW810/XD	DW810/A9
Type		10	10	10
Power input	W	710	710	710
No-load speed/rated speed	min <sup>-1</sup>	12,000	12,000	12,000
Wheel diameter	mm	100	100	100
Grinding wheels thickness	mm	6	6	6
Type of wheel		27	27	27
Spindle diameter		M10	M10	M10
Weight	kg	1.9	1.9	1.9

### Definitions: Safety Guidelines

The definitions below describe the level of severity for each signal word. Please read the manual and pay attention to these symbols.



**DANGER:** Indicates an imminently hazardous situation which, if not avoided, **will** result in **death or serious injury**.



**WARNING:** Indicates a potentially hazardous situation which, if not avoided, **could** result in **death or serious injury**.



**CAUTION:** Indicates a potentially hazardous situation which, if not

avoided, **may** result in **minor or moderate injury**.

**NOTICE:** Indicates a practice **not related to personal injury** which, if not avoided, **may** result in **property damage**.



Denotes risk of electric shock.



Denotes risk of fire.



**WARNING:** To reduce the risk of injury, read the instruction manual.

### General Power Tool Safety Warnings



**WARNING! Read all safety warnings and all instructions.** Failure to follow the warnings and instructions may result in electric shock, fire and/or serious injury.

#### SAVE ALL WARNINGS AND INSTRUCTIONS FOR FUTURE REFERENCE

The term "power tool" in the warnings refers to your mains-operated (corded) power tool or battery-operated (cordless) power tool.

#### 1) WORK AREA SAFETY

- Keep work area clean and well lit.** Cluttered or dark areas invite accidents.
- Do not operate power tools in explosive atmospheres, such as in the presence of flammable liquids, gases or dust.** Power tools create sparks which may ignite the dust or fumes.
- Keep children and bystanders away while operating a power tool.** Distractions can cause you to lose control.

#### 2) ELECTRICAL SAFETY

- Power tool plugs must match the outlet. Never modify the plug in any way. Do not use any adapter plugs with earthed (grounded) power tools.** Unmodified plugs and matching outlets will reduce risk of electric shock.
- Avoid body contact with earthed or grounded surfaces such as pipes, radiators, ranges and refrigerators.** There is an increased risk of electric shock if your body is earthed or grounded.

- c) **Do not expose power tools to rain or wet conditions.** Water entering a power tool will increase the risk of electric shock.
- d) **Do not abuse the cord. Never use the cord for carrying, pulling or unplugging the power tool. Keep cord away from heat, oil, sharp edges or moving parts.** Damaged or entangled cords increase the risk of electric shock.
- e) **When operating a power tool outdoors, use an extension cord suitable for outdoor use.** Use of a cord suitable for outdoor use reduces the risk of electric shock.
- f) **If operating a power tool in a damp location is unavoidable, use a residual current device (RCD) protected supply.** Use of an RCD reduces the risk of electric shock.

**3) PERSONAL SAFETY**

- a) **Stay alert, watch what you are doing and use common sense when operating a power tool. Do not use a power tool while you are tired or under the influence of drugs, alcohol or medication.** A moment of inattention while operating power tools may result in serious personal injury.
- b) **Use personal protective equipment. Always wear eye protection.** Protective equipment such as dust mask, non-skid safety shoes, hard hat, or hearing protection used for appropriate conditions will reduce personal injuries.
- c) **Prevent unintentional starting. Ensure the switch is in the off position before connecting to power source and/or battery pack, picking up or carrying the tool.** Carrying power tools with your finger on the switch or energising power tools that have the switch on invites accidents.
- d) **Remove any adjusting key or wrench before turning the power tool on.** A wrench or a key left attached to a rotating part of the power tool may result in personal injury.
- e) **Do not overreach. Keep proper footing and balance at all times.** This enables better control of the power tool in unexpected situations.
- f) **Dress properly. Do not wear loose clothing or jewellery. Keep your hair, clothing and gloves away from moving parts.** Loose clothes, jewellery or long hair can be caught in moving parts.
- g) **If devices are provided for the connection of dust extraction and collection facilities,**

**ensure these are connected and properly used.** Use of dust collection can reduce dust-related hazards.

**4) POWER TOOL USE AND CARE**

- a) **Do not force the power tool. Use the correct power tool for your application.** The correct power tool will do the job better and safer at the rate for which it was designed.
- b) **Do not use the power tool if the switch does not turn it on and off.** Any power tool that cannot be controlled with the switch is dangerous and must be repaired.
- c) **Disconnect the plug from the power source and/or the battery pack from the power tool before making any adjustments, changing accessories, or storing power tools.** Such preventive safety measures reduce the risk of starting the power tool accidentally.
- d) **Store idle power tools out of the reach of children and do not allow persons unfamiliar with the power tool or these instructions to operate the power tool.** Power tools are dangerous in the hands of untrained users.
- e) **Maintain power tools. Check for misalignment or binding of moving parts, breakage of parts and any other condition that may affect the power tool's operation. If damaged, have the power tool repaired before use.** Many accidents are caused by poorly maintained power tools.
- f) **Keep cutting tools sharp and clean.** Properly maintained cutting tools with sharp cutting edges are less likely to bind and are easier to control.
- g) **Use the power tool, accessories and tool bits etc., in accordance with these instructions taking into account the working conditions and the work to be performed.** Use of the power tool for operations different from those intended could result in a hazardous situation.

**5) SERVICE**

- a) **Have your power tool serviced by a qualified repair person using only identical replacement parts.** This will ensure that the safety of the power tool is maintained.

**ADDITIONAL SPECIFIC SAFETY RULES**

**Safety Instructions for All Operations**

- a) **This power tool is intended to function**

as a grinder. Read all safety warnings, instructions, illustrations and specifications provided with this power tool. Failure to follow all instructions listed below may result in electric shock, fire and/or serious injury.

- b) **Operations such as cutting-off , sander, wire brush or polisher are not recommended to be performed with this power tool.** Operations for which the power tool was not designed may create a hazard and cause personal injury.
  - c) **Do not use accessories which are not specifically designed and recommended by the tool manufacturer.** Just because the accessory can be attached to your power tool, it does not assure safe operation.
  - d) **The rated speed of the accessory must be at least equal to the maximum speed marked on the power tool.** Accessories running faster than their rated speed can break and fly apart.
  - e) **The outside diameter and the thickness of your accessory must be within the capacity rating of your power tool.** Incorrectly sized accessories cannot be adequately guarded or controlled.
  - f) **Threaded mounting of accessories must match the grinder spindle thread. For accessories mounted by flanges, the arbor hole of the accessory must fit the locating diameter of the flange.** Accessories that do not match the mounting hardware of the power tool will run out of balance, vibrate excessively and may cause loss of control.
  - g) **Do not use a damaged accessory. Before each use inspect the accessory such as abrasive wheel for chips and cracks, backing pad for cracks, tear or excess wear, wire brush for loose or cracked wires. If power tool or accessory is dropped, inspect for damage or install an undamaged accessory. After inspecting and installing an accessory, position yourself and bystanders away from the plane of the rotating accessory and run the power tool at maximum no-load speed for one minute.** Damaged accessories will normally break apart during this test time.
  - h) **Wear personal protective equipment. Depending on application, use face shield, safety goggles or safety glasses. As appropriate, wear dust mask, hearing protectors, gloves and workshop apron capable of stopping small abrasive or workpiece fragments.** The eye protection must be capable of stopping flying debris generated by various operations. The dust mask or respirator must be capable of filtering particles generated by your operation. Prolonged exposure to high intensity noise may cause hearing loss.
- i) **Keep bystanders a safe distance away from work area. Anyone entering the work area must wear personal protective equipment.** Fragments of workpiece or of a broken accessory may fly away and cause injury beyond immediate area of operation.
  - j) **Hold the power tool by insulated gripping surfaces only, when performing an operation where the cutting accessory may contact hidden wiring or its own cord.** Cutting accessory contacting a "live" wire may make exposed metal parts of the power tool "live" and could give the operator an electric shock.
  - k) **Position the cord clear of the spinning accessory.** If you lose control, the cord may be cut or snagged and your hand or arm may be pulled into the spinning accessory.
  - l) **Never lay the power tool down until the accessory has come to a complete stop.** The spinning accessory may grab the surface and pull the power tool out of your control.
  - m) **Do not run the power tool while carrying it at your side.** Accidental contact with the spinning accessory could snag your clothing, pulling the accessory into your body.
  - n) **Regularly clean the power tool's air vents.** The motor's fan will draw the dust inside the housing and excessive accumulation of powdered metal may cause electrical hazards.
  - o) **Do not operate the power tool near flammable materials.** Sparks could ignite these materials.
  - p) **Do not use accessories that require liquid coolants.** Using water or other liquid coolants may result in electrocution or shock.

## FURTHER SAFETY INSTRUCTIONS FOR ALL OPERATIONS

### Kickback and Related Warnings

Kickback is a sudden reaction to a pinched or snagged rotating wheel, backing pad, brush or any other accessory. Pinching or snagging causes rapid stalling of the rotating accessory which in turn causes the uncontrolled power tool to be forced in the direction opposite of the accessory's rotation at the point of the binding.

For example, if an abrasive wheel is snagged or pinched by the workpiece, the edge of the wheel that is entering into the pinch point can dig into the surface of the material causing the wheel to climb out or kick out. The wheel may either jump toward or away from the operator, depending on direction of the wheel's movement at the point of pinching. Abrasive wheels may also break under these conditions.

Kickback is the result of tool misuse and/or incorrect operating procedures or conditions and can be avoided by taking proper precautions as given below:

- a) **Maintain a firm grip on the power tool and position your body and arm to allow you to resist kickback forces. Always use auxiliary handle, if provided, for maximum control over kickback or torque reaction during start up.** The operator can control torque reaction or kickback forces, if proper precautions are taken.
- b) **Never place your hand near the rotating accessory.** Accessory may kickback over your hand.
- c) **Do not position your body in the area where power tool will move if kickback occurs.** Kickback will propel the tool in direction opposite to the wheel's movement at the point of snagging.
- d) **Use special care when working corners, sharp edges etc. Avoid bouncing and snagging the accessory.** Corners, sharp edges or bouncing have a tendency to snag the rotating accessory and cause loss of control or kickback.
- e) **Do not attach a saw chain woodcarving blade or toothed saw blade.** Such blades create frequent kickback and loss of control.

## Safety Warnings Specific for Grinding Operations

- a) **Use only wheel types that are recommended for your power tool and the specific guard designed for the selected wheel.** Wheels for which the power tool was not designed cannot be adequately guarded and are unsafe.
- b) **The grinding surface of the centre depressed wheels must be mounted below the plane of the guard lip.** An improperly mounted wheel that projects through the plane of the guard lip cannot be adequately protected.
- c) **The guard must be securely attached to the power tool and positioned for maximum**

**safety, so the least amount of wheel is exposed towards the operator.** The guard helps to protect operator from broken wheel fragments and accidental contact with wheel and sparks that could ignite clothing.

- d) **Wheels must be used only for recommended applications. For example: do not grind with the side of cut-off wheel.** Abrasive cut-off wheels are intended for peripheral grinding, side forces applied to these wheels may cause them to shatter.
- e) **Always use undamaged wheel flanges that are of correct size and shape for your selected wheel.** Proper wheel flanges support the wheel thus reducing the possibility of wheel breakage. Flanges for cut-off wheels may be different from grinding wheel flanges.
- f) **Do not use worn down wheels from larger power tools.** Wheel intended for larger power tool is not suitable for the higher speed of a smaller tool and may burst.

## Residual Risks

In spite of the application of the relevant safety regulations and the implementation of safety devices, certain residual risks cannot be avoided. These are:

- Impairment of hearing
- Risk of personal injury due flying particles.
- Risk of burns due to accessories becoming hot during operation.
- Risk of personal injury due to prolonged use.
- Risk of dust from hazardous substances.

## Markings on Tool

The following pictograms are shown on the tool:



Read instruction manual before use.



Wear ear protection.



Wear eye protection.

### DATE CODE POSITION (FIG. 1)

The Date Code (n), which also includes the year of manufacture, is printed into the housing.

Example:

2017 XX XX

Year of Manufacture



## Package Contents

The package contains:

- 1 Angle grinder
- 1 Guard
- 1 Flange set
- 1 Two-pin spanner
- 1 Instruction manual
- Check for damage to the tool, parts or accessories which may have occurred during transport.
- Take the time to thoroughly read and understand this manual prior to operation.

## Description (fig. 1)



**WARNING:** Never modify the power tool or any part of it. Damage or personal injury could result.

- a. On/off switch
- b. Spindle lock
- c. Guard

### INTENDED USE

Your DW810 angle grinders has been designed for professional grinding applications.

**DO NOT** use grinding wheels other than center depressed wheels and flap-disc.

**DO NOT** use under wet conditions or in presence of flammable liquids or gases.

These heavy-duty angle grinders are professional power tools.

**DO NOT** let children come into contact with the tool. Supervision is required when inexperienced operators use this tool.

## Electrical Safety

The electric motor has been designed for one voltage only. Always check that the power supply corresponds to the voltage on the rating plate.



Your DEWALT tool is double insulated in accordance with EN 60745; therefore no earth wire is required.

If the supply cord is damaged, it must be replaced by a specially prepared cord available through the DEWALT service organization.

## Using an Extension Cable

If an extension cable is required, use an approved 3-core extension cable suitable for the power

input of this tool (see technical data). The minimum conductor size is 1.5 mm<sup>2</sup>; the maximum length is 30 m.

When using a cable reel, always unwind the cable completely.

## ASSEMBLY AND ADJUSTMENTS



**WARNING:** To reduce the risk of serious personal injury, turn tool off and disconnect tool from power source before making any adjustments or removing/installing attachments or accessories. Before reconnecting the tool, depress and release the trigger switch to ensure that the tool is off.

## Mounting and Removing the Guard (fig. 2)



**WARNING:** To reduce the risk of serious personal injury, turn tool off and disconnect tool from power source before making any adjustments or removing/installing attachments or accessories. Before reconnecting the tool, depress and release the trigger switch to ensure that the tool is off.

### TO MOUNT THE GUARD

1. Place the angle grinder on a table, spindle up.
2. Press the guard down (fig. 2A).
3. Position the guard between your body and work piece.
4. Tight the screw holding the cinch collar firmly around the neck of spindle (fig. 2B)

### TO REMOVE THE GUARD

1. Loosen the screw holding the cinch collar around the neck of the spindle.
2. Lift up on the guard.



**WARNING:** Never use the tool without the guard in place.

**NOTE:** Please refer to the **Grinding Accessory Chart** at the end of this section to show other accessories that can be used with these grinders.

## Fitting and Removing a Grinding Disc (fig. 3, 4)



**WARNING:** Do not use a damaged disc.

1. Place the tool on a table, guard up.
2. Fit the inner flange (d) correctly onto the spindle (e) (fig. 3).
3. Place the disc (f) on the flange (d). When fitting a disc with a raised center, make sure that the raised centre (g) is facing the flange (d).
4. Screw the outer flange (h) onto the spindle (e) (fig. 4). The ring on the flange (h) must face towards the disc when fitting a grinding disc.
5. Press the spindle lock (b) and rotate the spindle (e) until it locks in position.
6. Tighten the flange (h) with the two-pin spanner supplied.
7. Release the spindle lock.
8. To remove the disc, loosen the flange (h) with the two-pin spanner.

## Prior to Operation

- Install the guard and appropriate disc or wheel. Do not use excessively worn discs or wheels.
- Be sure the inner and outer flange are mounted correctly.
- Make sure the disc or wheel rotates in the direction of the arrows on the accessory and the tool.

## OPERATION

### Instructions for Use



**WARNING:** Always observe the safety instructions and applicable regulations.



**WARNING:** To reduce the risk of serious personal injury, turn tool off and disconnect tool from power source before making any adjustments or removing/installing attachments or accessories. Before reconnecting the tool, depress and release the trigger switch to ensure that the tool is off.



**WARNING:**

- Ensure all materials to be ground are secured in place.
- Apply only a gentle pressure to the tool. Do not exert side pressure on the disc.
- Avoid overloading. Should the tool become hot, let it run a few minutes under no load condition.

### Switching On and Off (fig. 1)



**WARNING:** Before using the tool, check that the handle is tightened securely.

To run the tool press the switch (a) in before moving it completely forward.

To stop the tool move the switch (a) back the opposite way.

To stop the tool in continuous operation, press on the back part of the switch.



**WARNING:** Do not switch the tool on or off when under load.

### Spindle Lock (fig. 1)

The spindle lock (b) is provided to prevent the spindle from rotating when installing or removing wheels. Operate the spindle lock only when the tool is turned off, unplugged from the power supply, and has come to a complete stop.

**NOTICE:** To reduce the risk of damage to the tool, do not engage the spindle lock while the tool is operating. Damage to the tool will result and attached accessory may spin off possibly resulting in injury.

To engage the lock, depress the spindle lock button and rotate the spindle until you are unable to rotate the spindle further.

### Metal Applications

When using the tool in metal applications, make sure that a residual current device (RCD) has been inserted to avoid residual risks caused by metal swarf.

If the power supply is shut off by the RCD, take the tool to authorised DEWALT repair agent.



**WARNING:** In extreme working conditions, conductive dust can accumulate inside the machine housing when working with metal. This can result in the protective insulation in the machine becoming degraded with a potential risk of an electrical shock.

To avoid build-up of metal swarf inside the machine, we recommend to clear the ventilation slots on a daily basis. See **Maintenance**.

### Using Flap Discs



**WARNING: Metal dust build-up.** Extensive use of flap discs in metal applications can result in the increased potential for electric shock. To reduce

this risk, insert an RCD before use and clean the ventilation slots daily by blowing dry compressed air into the ventilation slots in accordance with the below maintenance instructions.

tool; never immerse any part of the tool into a liquid.

## MAINTENANCE

Your DEWALT power tool has been designed to operate over a long period of time with a minimum of maintenance. Continuous satisfactory operation depends upon proper tool care and regular cleaning.



**WARNING: To reduce the risk of serious personal injury, turn tool off and disconnect tool from power source before making any adjustments or removing/installing attachments or accessories.** Before reconnecting the tool, depress and release the trigger switch to ensure that the tool is off.

## Pop-off Brushes

The motor will be automatically shut off indicating that the carbon brushes are nearly worn out and that the tool needs servicing. The carbon brushes are not user-serviceable. Take the tool to an authorised DEWALT repair agent.



## Lubrication

Your power tool requires no additional lubrication.



## Cleaning



**WARNING:** Blow dirt and dust out of the main housing with dry air as often as dirt is seen collecting in and around the air vents. Wear approved eye protection and approved dust mask when performing this procedure.



**WARNING:** Never use solvents or other harsh chemicals for cleaning the non-metallic parts of the tool. These chemicals may weaken the materials used in these parts. Use a cloth dampened only with water and mild soap. Never let any liquid get inside the

## Optional Accessories



**WARNING:** Since accessories, other than those offered by DEWALT, have not been tested with this product, use of such accessories with this tool could be hazardous. To reduce the risk of injury, only DEWALT, recommended accessories should be used with this product.

Consult your dealer for further information on the appropriate accessories.

## Protecting the Environment



Separate collection. This product must not be disposed of with normal household waste.



Should you find one day that your DEWALT product needs replacement, or if it is of no further use to you, do not dispose of it with household waste. Make this product available for separate collection.



Separate collection of used products and packaging allows materials to be recycled and used again. Re-use of recycled materials helps prevent environmental pollution and reduces the demand for raw materials.

Local regulations may provide for separate collection of electrical products from the household, at municipal waste sites or by the retailer when you purchase a new product.

DEWALT provides a facility for the collection and recycling of DEWALT products once they have reached the end of their working life. To take advantage of this service please return your product to any authorised repair agent who will collect them on our behalf.

You can check the location of your nearest authorised repair agent by contacting your local DEWALT office at the address indicated in this manual. Alternatively, a list of authorised DEWALT repair agents and full details of our after-sales service and contacts are available on the Internet at: **www.2helpU.com**.

# GERINDA TANGAN

## DW803/DW810

### Selamat!

Anda telah memilih alat DEWALT. Dengan pengalaman selama bertahun-tahun, pengembangan produk yang menyeluruh, dan inovasi, DEWALT menjadi salah satu mitra terandal bagi pengguna alat listrik profesional.

### Data Teknis

	DW803/B1	DW803/XD	DW803/A9
Tipe	10	10	10
Input daya	W 800	800	800
Kecepatan/kecepatan terukur tanpa beban min <sup>-1</sup>	12.000	12.000	12.000
Diameter roda	mm 100	100	100
Ketebalan roda gerinda	mm 6	6	6
Tipe roda	27	27	27
Diameter spindel	M10	M10	M10
Berat	kg 1,9	1,9	1,9

	DW810/B1	DW810/XD	DW810/A9
Tipe	10	10	10
Input daya	W 710	710	710
Kecepatan/kecepatan terukur tanpa beban min <sup>-1</sup>	12.000	12.000	12.000
Diameter roda	mm 100	100	100
Ketebalan roda gerinda	mm 6	6	6
Tipe roda	27	27	27
Diameter spindel	M10	M10	M10
Berat	kg 1,9	1,9	1,9

### Definisi: Pedoman Keselamatan

Definisi di bawah ini menjelaskan tingkat keseriusan untuk setiap kata sinyal. Baca panduan dan perhatikan simbol berikut.



**BAHAYA:** Menunjukkan situasi yang akan menimbulkan bahaya dan, jika tidak dihindari, **akan** mengakibatkan **kematian atau cedera serius**.



**PERINGATAN:** Menunjukkan situasi yang mungkin berbahaya dan, jika tidak dihindari, **dapat** mengakibatkan **kematian atau cedera serius**.



**PERHATIAN:** Menunjukkan situasi yang mungkin berbahaya dan, jika tidak dihindari, **mungkin akan** mengakibatkan **cedera ringan atau sedang**.

**PEMBERITAHUAN:** Menunjukkan praktik **yang tidak terkait cedera** dan, jika tidak dihindari, **mungkin akan** mengakibatkan **kerusakan properti**.



Menandakan risiko sengatan listrik.



Menandakan risiko kebakaran.



**PERINGATAN:** Untuk mengurangi risiko cedera, baca panduan pengguna.

### Peringatan Keamanan Alat Listrik Umum



**PERINGATAN! Baca semua peringatan keselamatan dan petunjuk.** Kegagalan dalam mematuhi peringatan dan petunjuk dapat mengakibatkan sengatan listrik, kebakaran, dan/atau cedera serius.

### SIMPAN SEMUA PERINGATAN DAN PETUNJUK UNTUK REFERENSI MENDATANG.

Istilah "alat listrik" dalam peringatan mengacu pada alat listrik (berkabel) yang dioperasikan menggunakan tegangan daya atau alat listrik (nirkabel) yang dioperasikan menggunakan baterai.

#### 1) KEAMANAN AREA KERJA

- Jaga agar area kerja tetap bersih dan cukup terang.** Area yang tidak teratur atau gelap dapat mengakibatkan kecelakaan.
- Jangan operasikan alat listrik di lingkungan rentan ledakan, seperti adanya cairan, gas, atau debu yang mudah terbakar.** Alat listrik menimbulkan percikan yang dapat menghasilkan debu atau asap.
- Jauhkan dari jangkauan anak-anak dan orang di sekitar saat mengoperasikan alat listrik.** Gangguan dapat mengakibatkan Anda kehilangan kontrol.

**2) KEAMANAN LISTRIK**

- a) **Konektor alat listrik harus sesuai dengan stopkontak. Jangan modifikasi konektor dengan cara apa pun. Jangan gunakan konektor adaptor dengan alat listrik yang diarde.** Stopkontak dan konektor sesuai yang tidak dimodifikasi akan mengurangi risiko sengatan listrik.
  - b) **Hindari kontak tubuh dengan permukaan yang diarde seperti pipa, radiator, kompor, dan lemari es.** Terdapat risiko sengatan listrik yang lebih tinggi jika tubuh Anda terhubung ke tanah.
  - c) **Jangan biarkan alat listrik terkena hujan atau dalam kondisi basah.** Air yang masuk ke dalam alat listrik akan meningkatkan risiko sengatan listrik.
  - d) **Jangan salah gunakan kabel. Jangan gunakan kabel untuk membawa, menarik, atau memutuskan sambungan alat listrik. Jauhkan kabel dari panas, oli, tepi yang tajam, atau komponen bergerak.** Kabel yang rusak atau terlilit akan meningkatkan risiko sengatan listrik.
  - e) **Saat mengoperasikan alat listrik di luar ruangan, gunakan kabel ekstensi yang sesuai untuk penggunaan di luar ruangan.** Penggunaan kabel yang sesuai di luar ruangan akan mengurangi risiko sengatan listrik.
  - f) **Jika pengoperasian alat listrik di lokasi yang lembap tidak dapat dihindari, gunakan pasokan yang dilindungi perangkat arus sisa (RCD).** Penggunaan RCD akan mengurangi risiko sengatan listrik.
- d) **Lepas kunci pengaturan atau kunci pas sebelum menghidupkan alat listrik.** Kunci pas atau kunci yang dibiarkan terpasang pada komponen berputar pada alat listrik dapat mengakibatkan cedera.
  - e) **Jangan lampau batas. Selalu pertahankan pijakan dan keseimbangan dengan baik.** Tindakan ini memungkinkan kontrol yang lebih baik terhadap alat listrik dalam situasi tak terduga.
  - f) **Kenakan pakaian yang sesuai. Jangan kenakan pakaian longgar atau perhiasan. Jauhkan rambut, pakaian, dan sarung tangan dari komponen bergerak.** Pakaian longgar, perhiasan, atau rambut panjang dapat tersangkut dalam komponen bergerak.
  - g) **Jika perangkat disediakan terkait kemudahan ekstraksi dan pengumpulan debu, pastikan perangkat tersambung dan digunakan dengan benar.** Penggunaan pengumpulan debu dapat mengurangi bahaya terkait debu.

**4) PENGGUNAAN DAN PERAWATAN ALAT LISTRIK**

- a) **Jangan paksa alat listrik. Gunakan alat listrik yang tepat untuk aplikasi Anda.** Alat listrik yang tepat akan berfungsi dengan lebih baik dan lebih aman pada kecepatan yang telah ditetapkan.
- b) **Jangan gunakan alat listrik jika tombolnya tidak dapat dihidupkan dan dimatikan.** Alat listrik apa pun yang tidak dapat dikontrol dengan tombol akan berbahaya dan harus diperbaiki.
- c) **Lepas kabel dari stopkontak dan/atau unit baterai dari alat listrik sebelum melakukan penyesuaian, mengganti aksesoris, atau menyimpan alat listrik.** Tindakan pencegahan untuk keselamatan tersebut akan mengurangi risiko pengaktifan alat listrik tanpa sengaja.
- d) **Jauhkan alat listrik yang tidak digunakan dari jangkauan anak-anak dan jangan biarkan orang yang tidak mengetahui cara menggunakan alat listrik maupun petunjuk ini untuk mengoperasikannya.** Alat listrik berbahaya jika dioperasikan oleh pengguna yang tidak terlatih.
- e) **Lakukan pemeliharaan terhadap alat listrik. Periksa ketidakselarasan atau ikatan komponen bergerak, kerusakan komponen, dan kondisi lainnya yang dapat mempengaruhi pengoperasian alat listrik. Jika rusak, perbaiki alat listrik sebelum digunakan.** Banyak kecelakaan diakibatkan oleh alat listrik yang tidak dipelihara dengan baik.
- f) **Jaga agar alat pemotong tetap tajam dan bersih.** Alat pemotong bertepi tajam yang dipelihara dengan baik mungkin tidak akan tertaut dan lebih mudah dikontrol.

**3) KEAMANAN PRIBADI**

- a) **Tetap waspada, perhatikan tindakan Anda, dan gunakan akal sehat saat mengoperasikan alat listrik. Jangan gunakan alat listrik bila Anda lelah atau berada di bawah pengaruh obat, alkohol, maupun sedang menjalani pengobatan.** Kurang hati-hati saat mengoperasikan alat listrik dapat mengakibatkan cedera serius.
- b) **Kenakan alat pelindung diri. Selalu kenakan pelindung mata.** Penggunaan alat pelindung seperti masker debu, sepatu pengaman antislip, helm keselamatan, atau pelindung pendengaran untuk kondisi yang sesuai akan mengurangi cedera.
- c) **Cegah pengaktifan tanpa sengaja. Pastikan tombol berada dalam posisi mati sebelum menyambungkan ke stopkontak dan/atau unit baterai maupun sebelum mengangkat atau membawa alat.** Membawa alat listrik dengan jari menyentuh tombol atau mengisi daya alat listrik yang tombolnya berada dalam posisi hidup dapat mengakibatkan kecelakaan.

g) *Gunakan alat listrik, aksesoris, komponen kecil alat, dsb. sesuai petunjuk berikut. Perhatikan kondisi kerja dan tugas yang akan dijalankan. Penggunaan alat listrik untuk pengoperasian yang tidak sesuai dapat mengakibatkan situasi berbahaya.*

**5) SERVIS**

a) *Alat listrik harus diservis oleh teknisi perbaikan resmi dengan hanya menggunakan komponen pengganti yang sama. Tindakan ini akan memastikan keamanan alat listrik tetap terjaga.*

**PERATURAN KESELAMATAN KHUSUS TAMBAHAN****Petunjuk Keselamatan untuk Semua Pengoperasian**

- a) *Alat listrik ini dimaksudkan agar berfungsi sebagai gerinda. Baca semua peringatan, petunjuk, ilustrasi, dan spesifikasi keselamatan yang disertakan bersama alat listrik ini. Kegagalan dalam mengikuti semua petunjuk yang tercantum di bawah ini dapat mengakibatkan sengatan listrik, kebakaran, dan/atau cedera serius.*
- b) *Jangan lakukan pengoperasian seperti pemotongan, pengampelasan, penggunaan sikat kawat, atau pemolesan dengan alat listrik ini. Pengoperasian alat listrik yang tidak sesuai tujuannya dapat menimbulkan bahaya dan mengakibatkan cedera.*
- c) *Jangan gunakan aksesoris yang tidak dirancang dan direkomendasikan secara khusus oleh produsen alat ini. Meskipun aksesoris dapat dipasang pada alat listrik, namun bukan berarti pengoperasiannya akan aman.*
- d) *Kecepatan aksesoris yang terukur minimal harus setara dengan kecepatan maksimum yang tertera pada alat listrik. Aksesoris yang berjalan lebih cepat daripada kecepatan terukurnya dapat patah dan hancur.*
- e) *Diameter luar dan ketebalan aksesoris harus dalam peringkat kapasitas alat listrik. Aksesoris dengan ukuran yang salah tidak dapat dilindungi atau dikontrol secara memadai.*
- f) *Pemasangan aksesoris berulir harus sesuai dengan uliran spindel gerinda. Untuk aksesoris yang dipasang menggunakan flensa, lubang arbor aksesoris harus sesuai dengan diameter flensa pelokasi. Aksesoris yang tidak sesuai dengan perangkat keras pemasangan alat listrik akan kehilangan keseimbangan, bergetar hebat, dan dapat mengakibatkan hilangnya kontrol.*
- g) *Jangan gunakan aksesoris yang rusak. Sebelum menggunakan, selalu periksa aksesoris seperti roda abrasif dari goresan dan keretakan, bantalan penyangga dari keretakan, kawat dari koyakan atau keausan, sikat kawat dari kelonggaran, maupun kawat retak. Jika alat listrik atau aksesoris terjatuh, periksa kerusakan atau pasang aksesoris yang tidak rusak. Setelah memeriksa dan memasang aksesoris, jauhkan diri Anda dan orang di sekitar dari bidang aksesoris yang berputar, lalu jalankan alat listrik pada kecepatan maksimum tanpa beban selama satu menit. Aksesoris yang rusak biasanya akan patah selama waktu pengujian ini.*
- h) *Kenakan alat pelindung diri. Tergantung pada aplikasi, gunakan pelindung wajah, pelindung mata, atau kacamata pengaman. Jika perlu, kenakan masker debu, pelindung pendengaran, sarung tangan, dan apron bengkel yang mampu mencegah pecahan benda kerja atau abrasif kecil. Pelindung mata harus mampu mencegah puing yang beterbangan akibat berbagai pengoperasian. Masker debu atau respirator harus mampu menyaring partikel yang dihasilkan oleh pengoperasian. Paparan terhadap kebisingan berintensitas tinggi dalam waktu lama dapat mengakibatkan hilangnya fungsi pendengaran.*
- i) *Jauhkan orang di sekitar pada jarak yang aman dari area kerja. Siapa pun yang memasuki area kerja harus mengenakan alat pelindung diri. Pecahan benda kerja atau aksesoris yang rusak dapat terlempar dan mengakibatkan cedera di luar area pengoperasian langsung.*
- j) *Pegang alat listrik dengan hanya menggenggam erat permukaan saat menjalankan pengoperasian jika aksesoris pemotongan dapat menyentuh kabel tersebunyi atau kabelnya sendiri. Aksesoris pemotongan yang menyentuh kawat "aktif" dapat membuat komponen logam alat listrik yang terkena menjadi "aktif", sehingga mengakibatkan sengatan listrik bagi operator.*
- k) *Jauhkan kabel dari aksesoris yang berputar. Jika Anda kehilangan kontrol, kabel dapat terpotong atau tersangkut, dan tangan atau lengan Anda dapat tertarik ke aksesoris yang berputar.*
- l) *Jangan letakkan alat listrik hingga aksesoris berhenti sepenuhnya. Aksesoris yang berputar dapat mencapai permukaan dan menarik alat listrik di luar kontrol Anda.*

- m) **Jangan jalankan alat listrik sewaktu membawanya di sisi tubuh Anda.** Sentuhan tanpa sengaja dengan aksesoris yang berputar dapat merobek pakaian, sehingga menarik aksesoris ke tubuh Anda.
  - n) **Bersihkan ventilasi udara pada alat listrik secara teratur.** Kipas motor akan menarik debu ke dalam rangka dan akumulasi logam bubuk yang berlebihan dapat mengakibatkan bahaya listrik.
  - o) **Jangan operasikan alat listrik di dekat material yang mudah terbakar.** Percikan dapat membakar material tersebut.
  - p) **Jangan gunakan aksesoris yang memerlukan pendingin cair.** Penggunaan air atau pendingin cair lainnya dapat mengakibatkan sengatan listrik atau kejutan.
- c) **Jangan posisikan tubuh Anda di area tempat alat listrik akan bergerak jika terjadi kickback.** Kickback akan mendorong alat ke arah yang berlawanan dengan gerakan roda pada titik penghalangan.
  - d) **Hati-hati saat mengerjakan bagian sudut, tepi yang tajam, dsb. Jangan lambungkan dan jangan halangi aksesoris.** Bagian sudut, tepi yang tajam, maupun lambungan cenderung akan menghalangi aksesoris yang berputar dan mengakibatkan hilangnya kontrol atau kickback.
  - e) **Jangan pasang bilah pengukir kayu rantai gergaji atau bilah gergaji bergerigi.** Bilah tersebut akan sering menimbulkan kickback dan mengakibatkan hilangnya kontrol.

## PETUNJUK KESELAMATAN LEBIH LANJUT UNTUK SEMUA PENGOPERASIAN

### Peringatan Kickback dan Peringatan Terkait

Kickback adalah reaksi tiba-tiba terhadap roda berputar, bantalan penyangga, sikat, maupun aksesoris lainnya yang terjepit atau tersangkut. Adanya penjepitan atau sangkutan mengakibatkan penghentian cepat aksesoris yang berputar, sehingga alat listrik yang tidak terkontrol dipaksa ke arah yang berlawanan dengan putaran aksesoris pada titik ikatan.

Misalnya, jika roda abrasif tersangkut atau terjepit oleh benda kerja, maka tepi roda yang masuk ke titik jepit dapat tertekan ke permukaan material yang mengakibatkan roda keluar. Roda mungkin akan terpental ke arah atau menjauhi operator, tergantung pada arah gerakan roda pada titik jepit. Roda abrasif juga dapat rusak dalam kondisi tersebut.

Kickback adalah akibat dari penyalahgunaan alat dan/atau prosedur maupun kondisi pengoperasian yang salah dan dapat dihindari dengan melakukan tindakan pencegahan berikut yang sesuai:

- a) **Pegang alat listrik dengan kuat, lalu posisikan tubuh dan lengan Anda agar dapat menahan tenaga kickback.** Selalu gunakan gagang tambahan, jika tersedia, untuk kontrol maksimum terhadap kickback atau reaksi torsi selama pengaktifan. Operator dapat mengontrol reaksi torsi atau tenaga kickback jika tindakan pencegahan yang sesuai dilakukan.
- b) **Jangan letakkan tangan Anda di dekat aksesoris yang berputar.** Aksesoris dapat menimbulkan kickback terhadap tangan Anda.
- c) **Gunakan hanya tipe roda yang direkomendasikan bagi alat listrik Anda dan pengamanan khusus yang dirancang untuk roda yang dipilih.** Roda yang tidak dirancang untuk alat listrik ini tidak dapat diamankan secara memadai dan berbahaya.
- d) **Permukaan gerinda roda dengan tekanan di bagian tengah harus dipasang di bawah bidang tepi pengamanan.** Roda yang tidak dipasang dengan benar dan diproyeksikan melalui bidang tepi pengamanan tidak dapat dilindungi secara memadai.
- e) **Pengaman harus dipasang dengan kuat pada alat listrik dan posisinya diatur untuk keselamatan maksimum, sehingga paparan roda terhadap operator menjadi sangat kecil.** Pengaman akan membantu melindungi operator dari pecahan roda yang patah, serta sentuhan tanpa sengaja dengan roda dan percikan yang dapat membakar pakaian.
- f) **Roda hanya boleh digunakan untuk aplikasi yang direkomendasikan. Misalnya: jangan gerinda dengan sisi roda pemotongan.** Roda pemotongan abrasif ditujukan untuk gerinda di sekeliling, adanya tekanan samping terhadap roda ini dapat mengakibatkan roda pecah.
- g) **Selalu gunakan flensa roda yang utuh serta memiliki ukuran dan bentuk yang tepat untuk roda yang dipilih.** Flensa roda yang sesuai akan mendukung roda, sehingga mengurangi kemungkinan rusaknya roda. Flensa untuk roda pemotongan mungkin berbeda dengan flensa roda gerinda.
- h) **Jangan gunakan roda yang telah aus dari alat listrik yang lebih besar.** Roda yang ditujukan bagi alat listrik yang lebih besar tidak cocok untuk alat lebih kecil yang berkecepatan lebih tinggi dan dapat pecah.

### Peringatan Keselamatan Khusus untuk Pengoperasian Gerinda

## Risiko Residu

Meskipun peraturan keselamatan yang relevan diterapkan dan perangkat keselamatan digunakan, namun risiko residu tertentu tidak dapat dihindari. Risiko tersebut adalah:

- Gangguan pendengaran
- Risiko cedera akibat partikel yang beterbangan.
- Risiko luka bakar akibat aksesoris yang panas selama pengoperasian.
- Risiko cedera akibat penggunaan dalam waktu lama.
- Risiko debu dari zat berbahaya.

## Penandaan Pada Alat

Simbol gambar berikut tertera pada alat:



Baca panduan pengguna sebelum mengoperasikan.



Kenakan pelindung telinga.



Kenakan pelindung mata.

## POSISI KODE TANGGAL (GBR 1)

Kode Tanggal (n), yang juga mencakup tahun produksi, tercetak pada rangka.

Contoh:

2017 XX XX

Tahun Produksi

## Isi Kemasan

Kemasan berisi:

- 1 Gerinda tangan
  - 1 Pengaman
  - 1 Set flensa
  - 1 Kunci pas dua pin
  - 1 Panduan pengguna
- Periksa kerusakan pada alat, komponen, atau aksesoris yang mungkin telah terjadi selama pengangkutan.
  - Luangkan waktu untuk membaca dan memahami panduan ini seluruhnya sebelum mengoperasikan.

## Keterangan (gbr 1)



**PERINGATAN:** Jangan modifikasi alat listrik maupun komponennya. Tindakan tersebut dapat mengakibatkan kerusakan atau cedera.

- a. Tombol hidup/mati
- b. Kunci spindel
- c. Pengaman

## PENGUNAAN YANG SESUAI

Gerinda tangan DW810 dirancang untuk aplikasi gerinda profesional.

**JANGAN** gunakan roda gerinda selain roda dan cakram lipatan dengan tekanan di bagian tengah.

**JANGAN** gunakan alat dalam kondisi basah atau jika terdapat cairan maupun gas yang mudah terbakar.

Gerinda tangan yang kuat ini adalah alat listrik profesional.

**JANGAN** biarkan anak-anak menyentuh alat listrik. Pengawasan diperlukan bila alat ini digunakan oleh operator yang tidak berpengalaman.

## Keamanan Listrik

Motor listrik dirancang hanya untuk satu tegangan. Selalu pastikan catu daya sesuai dengan tegangan pada pelat nilai arus.



Alat DEWALT terisolasi ganda berdasarkan EN 60745; oleh karena itu kawat arde tidak diperlukan.

Jika rusak, kabel catu daya harus diganti dengan kabel yang disiapkan secara khusus dan tersedia melalui organisasi layanan DEWALT.

## Menggunakan Kabel Ekstensi

Jika diperlukan, gunakan kabel ekstensi 3 inti yang disetujui dan sesuai untuk input daya alat ini (lihat data teknis). Ukuran konduktor minimum 1,5 mm<sup>2</sup>, dengan panjang maksimum 30 m.

Bila menggunakan gulungan kabel, selalu bentangkan kabel seluruhnya.

## PERAKITAN DAN PENYESUAIAN



**PERINGATAN:** Untuk mengurangi risiko cedera serius, matikan alat, lalu putuskan sambungan alat dari stopkontak sebelum melakukan penyesuaian atau melepas/memasang alat pelengkap maupun aksesoris. Sebelum menyambungkan alat kembali, tekan dan lepas tombol pemacu untuk memastikan alat telah dimatikan.



## Memasang dan Melepas Pengaman (gbr 2)



**PERINGATAN:** Untuk mengurangi risiko cedera serius, matikan alat, lalu putuskan sambungan alat dari stopkontak sebelum melakukan penyesuaian atau melepas/memasang alat pelengkap maupun aksesoris. Sebelum menyambungkan alat kembali, tekan dan lepas tombol pemicu untuk memastikan alat telah dimatikan.

### MEMASANG PENGAMAN

1. Letakkan gerinda tangan di atas meja, dengan spindel menghadap ke atas.
2. Tekan pengaman (gbr 2A).
3. Letakkan pengaman di antara tubuh Anda dan benda kerja.
4. Kencangkan sekrup penahan kerah pengikat dengan kuat di sekitar leher spindel (gbr 2B).

### MELEPAS PENGAMAN

1. Longgarkan sekrup penahan kerah pengikat di sekitar leher spindel.
2. Angkat pengaman.



**PERINGATAN:** Jangan gunakan alat tanpa pengaman.

**CATATAN:** Lihat **Tabel Aksesoris Gerinda** pada akhir bagian ini untuk menunjukkan aksesoris lain yang dapat digunakan bersama gerinda.

## Memasang dan Melepas Cakram Gerinda (gbr 3, 4)



**PERINGATAN:** Jangan gunakan cakram yang rusak.

1. Letakkan alat di atas meja, dengan pengaman menghadap ke atas.
2. Pasang flensa dalam (d) dengan benar pada spindel (e) (gbr 3).
3. Letakkan cakram (f) di atas flensa (d). Saat memasang cakram dengan bagian tengah yang lebih tinggi, pastikan bagian tersebut (g) menghadap ke flensa (d).
4. Kencangkan flensa luar (h) pada spindel (e) (gbr 4) menggunakan sekrup. Cincin pada flensa (h) harus menghadap ke cakram saat memasang cakram gerinda.
5. Tekan kunci spindel (b), lalu putar spindel (e) hingga terpasang pada posisinya.
6. Kencangkan flensa (h) menggunakan kunci pas dua pin yang disediakan.

7. Lepas kunci spindel.

8. Untuk melepas cakram, longgarkan flensa (h) menggunakan kunci pas dua pin.

## Sebelum Mengoperasikan

- Pasang pengaman dan cakram atau roda yang sesuai. Jangan gunakan cakram atau roda yang telah aus.
- Pastikan flensa dalam dan luar telah terpasang dengan benar.
- Pastikan cakram atau roda berputar ke arah tanda panah pada aksesoris dan alat.

## PENGOPERASIAN

### Petunjuk Penggunaan



**PERINGATAN:** Selalu perhatikan petunjuk keselamatan dan peraturan yang berlaku.



**PERINGATAN:** Untuk mengurangi risiko cedera serius, matikan alat, lalu putuskan sambungan alat dari stopkontak sebelum melakukan penyesuaian atau melepas/memasang alat pelengkap maupun aksesoris. Sebelum menyambungkan alat kembali, tekan dan lepas tombol pemicu untuk memastikan alat telah dimatikan.



**PERINGATAN:**

- Pastikan semua material yang akan diarde telah terpasang dengan benar.
- Tekan alat secara perlahan. Jangan gunakan tekanan samping pada cakram.
- Hindari kelebihan beban. Jika panas, biarkan alat berjalan selama beberapa menit tanpa beban.

### Menghidupkan dan Mematikan (gbr 1)



**PERINGATAN:** Sebelum menggunakan alat, pastikan gagang telah terpasang dengan kuat.

Untuk menjalankan alat, tekan tombol (a) sebelum menggerakkan sepenuhnya ke depan.

Untuk menghentikan alat, gerakan tombol (a) ke arah sebaliknya.

Untuk menghentikan pengoperasian alat secara terus-menerus, tekan bagian belakang tombol.



**PERINGATAN:** Jangan hidupkan atau matikan alat saat berada di bawah beban.

## Kunci Spindel (gbr 1)

Kunci spindel (b) disediakan untuk mencegah spindel berputar saat memasang atau melepas roda. Operasikan kunci spindel hanya bila alat telah dimatikan, dilepas dari catu daya, dan berhenti sepenuhnya.

**PEMBERITAHUAN:** Untuk mengurangi risiko kerusakan pada alat, jangan gunakan kunci spindel sewaktu alat dioperasikan. Kerusakan pada alat akan terjadi dan aksesori yang terpasang dapat berputar, yang mungkin akan mengakibatkan cedera.

Untuk menggunakan kunci, tekan tombol kunci spindel, lalu putar spindel hingga Anda tidak dapat memutarinya lagi.

## Aplikasi Logam

Saat menggunakan alat dalam aplikasi logam, pastikan perangkat arus sisa (RCD) telah dimasukkan untuk menghindari risiko lain yang ditimbulkan oleh partikel metal.

Jika catu daya dimatikan oleh RCD, bawa alat ke agen perbaikan DEWALT resmi.



**PERINGATAN:** Dalam kondisi kerja ekstrem, debu konduktif dapat terkumpul di dalam rangka mesin saat menangani logam. Akibatnya, isolasi pelindung dalam mesin akan menurun dengan kemungkinan risiko sengatan listrik.

Untuk menghindari terkumpulnya partikel logam di dalam mesin, sebaiknya bersihkan slot ventilasi setiap hari. Lihat **Pemeliharaan**.

## Menggunakan Cakram Lipatan



**PERINGATAN:** **Terkumpulnya debu logam.** Penggunaan cakram lipatan yang menyeluruh dalam aplikasi logam dapat mengakibatkan peningkatan kemungkinan sengatan listrik. Untuk mengurangi risiko tersebut, masukkan RCD sebelum menggunakan dan membersihkan slot ventilasi setiap hari dengan mengembuskan udara terkompresi kering ke slot ventilasi sesuai petunjuk pemeliharaan di bawah ini.

## PEMELIHARAAN

Alat listrik DEWALT dirancang agar dapat dioperasikan dalam waktu lama dengan pemeliharaan minimal. Pengoperasian yang selalu memuaskan tergantung pada perawatan alat yang tepat dan pembersihan secara teratur.



**PERINGATAN:** Untuk mengurangi risiko cedera serius, matikan alat, lalu putuskan sambungan alat dari stopkontak sebelum melakukan penyesuaian atau melepas/memasang alat pelengkap maupun aksesori. Sebelum menyambungkan alat kembali, tekan dan lepas tombol pemicu untuk memastikan alat telah dimatikan.

## Sikat Pop-off

Motor akan secara otomatis dimatikan, yang menunjukkan bahwa sikat karbon hampir aus dan alat perlu diservis. Sikat karbon tidak dapat diservis oleh pengguna. Bawa alat ke agen perbaikan DEWALT resmi.



## Pelumasan

Alat listrik tidak memerlukan pelumasan tambahan.



## Pembersihan



**PERINGATAN:** Bersihkan kotoran dan debu dari rangka utama dengan udara kering begitu Anda melihat kotoran terkumpul di dalam dan di sekitar ventilasi udara. Kenakan pelindung mata dan masker debu yang disetujui saat melakukan prosedur ini.



**PERINGATAN:** Jangan gunakan pelarut atau bahan kimia keras untuk membersihkan komponen nonlogam pada alat. Bahan kimia dapat melemahkan material yang digunakan dalam komponen tersebut. Gunakan kain yang hanya dibasahi dengan air dan sabun lembut. Jangan biarkan cairan masuk ke dalam alat dan jangan rendam komponen alat dalam cairan.

## Aksesori Opsional



**PERINGATAN:** Karena aksesori, selain yang ditawarkan oleh DEWALT, belum diuji dengan produk ini, penggunaan aksesori tersebut bersama alat ini dapat berbahaya. Untuk mengurangi risiko cedera, gunakan hanya aksesori yang direkomendasikan oleh DEWALT bersama produk ini.

Hubungi dealer untuk informasi lebih lanjut tentang aksesori yang sesuai.

## Melindungi Lingkungan



Pengumpulan terpisah. Produk ini tidak boleh dibuang bersama limbah rumah tangga biasa.

Jika suatu saat produk DEWALT Anda perlu diganti, atau jika tidak digunakan lagi, jangan buang produk tersebut bersama limbah rumah tangga. Sisihkan produk ini untuk pengumpulan terpisah.



Dengan pengumpulan produk dan kemasan bekas secara terpisah, material dapat didaur ulang dan digunakan kembali. Penggunaan kembali material daur ulang akan membantu mencegah polusi lingkungan dan mengurangi permintaan bahan baku.

Peraturan setempat mungkin tersedia untuk pengumpulan terpisah produk elektrik dari limbah rumah tangga, di lokasi pembuangan sampah kota atau oleh peritel tempat Anda membeli produk baru.

DEWALT menyediakan fasilitas untuk pengumpulan dan daur ulang produk DEWALT setelah mencapai akhir masa pakainya. Untuk memanfaatkan layanan ini, kembalikan produk ke agen perbaikan resmi yang akan mengumpulkannya atas nama Anda.

Anda dapat memeriksa lokasi agen perbaikan resmi terdekat dengan menghubungi kantor DEWALT setempat di alamat yang tercantum dalam panduan ini. Atau, daftar agen perbaikan DEWALT resmi serta rincian lengkap tentang layanan purnajual dan kontak tersedia di Internet di: **[www.2helpU.com](http://www.2helpU.com)**.

# เครื่องเจียร์ไฟฟ้า DW803/DW810

## ขอแสดงความยินดี!

คุณได้เลือกเครื่องมือ DEWALT จากประสบการณ์หลายปีตลอดทั้งการพัฒนาและนวัตกรรมทำให้ DEWALT เป็นหนึ่งในคุณที่น่าเชื่อถือที่สุดสำหรับผู้ใช้งานเครื่องมือไฟฟ้าระดับมืออาชีพ

## ข้อมูลด้านเทคนิค

	DW803/B1	DW803/XD	DW803/A9
ประเภท	10	10	10
กำลังไฟฟ้าเข้า	W 800	800	800
ความเร็วไม่มีภาระ			
โหลด/ความเร็ว			
ตามฟีกัด	นาที <sup>-1</sup> 12,000	12,000	12,000
เส้นผ่านศูนย์กลาง			
ล่างแผ่นเจียร์	มม. 100	100	100
ความหนาแผ่นเจียร์	มม. 6	6	6
ประเภทของแผ่นเจียร์	27	27	27
เส้นผ่าศูนย์กลาง			
กลางแกน	M10	M10	M10
น้ำหนัก	กก. 1.9	1.9	1.9

	DW810/B1	DW810/XD	DW810/A9
ประเภท	10	10	10
กำลังไฟฟ้าเข้า	W 710	710	710
ความเร็วไม่มีภาระ			
โหลด/ความเร็ว			
ตามฟีกัด	นาที <sup>-1</sup> 12,000	12,000	12,000
เส้นผ่านศูนย์กลาง			
ล่างแผ่นเจียร์	มม. 100	100	100
ความหนาแผ่นเจียร์	มม. 6	6	6
ประเภทของแผ่นเจียร์	27	27	27
เส้นผ่าศูนย์กลางกลางแกน	M10	M10	M10
น้ำหนัก	กก. 1.9	1.9	1.9

## คำจำกัดความ: แนวทางความปลอดภัย

คำจำกัดความด้านล่างนี้จะอธิบายระดับความรุนแรงของค่าสัญญาณแต่ละค่า โปรดอ่านคู่มือและให้ความสนใจกับสัญลักษณ์เหล่านี้



**อันตราย:** บ่งชี้ถึงสถานการณ์อันตรายที่เกิดขึ้นอย่างฉับพลัน หากไม่หลีกเลี่ยงจะส่งผลให้เกิดการเสียชีวิตหรือบาดเจ็บสาหัส



**คำเตือน:** บ่งชี้ถึงสถานการณ์อันตรายที่เกิดขึ้นอย่างฉับพลัน หากไม่หลีกเลี่ยงอาจส่งผลให้เกิดการเสียชีวิตหรือบาดเจ็บสาหัส



**คำเตือน:** บ่งชี้ถึงสถานการณ์อันตรายที่เกิดขึ้นอย่างฉับพลัน หากไม่หลีกเลี่ยงอาจส่งผลให้เกิดบาดเจ็บเล็กน้อยหรือปานกลาง

**โปรดทราบ:** บ่งชี้ถึงหลักปฏิบัติที่ไม่เกี่ยวข้องกับการบาดเจ็บส่วนบุคคล ซึ่งหากไม่หลีกเลี่ยงอาจส่งผลให้เกิด ความเสียหายต่อทรัพย์สิน



แสดงถึงความเสี่ยงที่จะเกิดไฟฟ้าช็อต



แสดงถึงความเสี่ยงที่จะเกิดเพลิงไหม้



**คำเตือน:** โปรดอ่านคู่มือการใช้งานเพื่อลดความเสี่ยงของการบาดเจ็บ

## คำเตือนด้านความปลอดภัยทั่วไปของเครื่องมือไฟฟ้า



**คำเตือน!** โปรดอ่านคำเตือนเพื่อความปลอดภัยและคำแนะนำทั้งหมด การไม่ปฏิบัติตามคำเตือนและคำแนะนำ อาจทำให้ถูกไฟฟ้าช็อต เกิดเพลิงไหม้ และ/หรือบาดเจ็บสาหัสได้

## โปรดเก็บรักษาคำเตือนและข้อปฏิบัติทั้งหมดนี้ไว้เพื่อการอ้างอิงในภายหลัง

คำว่า "เครื่องมือไฟฟ้า" ในคำเตือนถึงเครื่องมือไฟฟ้าที่ทำงานผ่านสายเมน (แบบมีสาย) หรือเครื่องมือไฟฟ้าที่ทำงานด้วยแบตเตอรี่ (แบบไร้สาย)

### 1) ความปลอดภัยในบริเวณที่ทำงาน

- พื้นที่ทำงานจะต้องสะอาดและมีแสงสว่างเพียงพอ บริเวณที่มีดหรือมีของวางระเกะระกะทำให้เกิดอุบัติเหตุได้
- ห้ามใช้เครื่องมือไฟฟ้าในบริเวณที่อาจเกิดการระเบิด เช่น ในสถานที่ที่มีของเหลว แก๊ส หรือฝุ่นผงที่มีคุณสมบัติไวไฟ เครื่องมือไฟฟ้าจะทำให้เกิดประกายไฟที่อาจเป็นสาเหตุให้เกิดละอองไฟหรือเปลวไฟได้
- ระงับอย่าให้เด็กเล็กและผู้ที่อยู่ใกล้เคียงเข้าใกล้ในขณะที่ใช้เครื่องมือไฟฟ้า สิ่งรบกวนอาจทำให้คุณเสียสมาธิได้

### 2) ความปลอดภัยทางไฟฟ้า

- ปลั๊กไฟของเครื่องมือต้องเป็นชนิดเดียวกับตัวรับ ห้ามตัดแปลงปลั๊กไม่ว่าด้วยวิธีใด ห้ามใช้ปลั๊กอะแดปเตอร์ใดๆ กับเครื่องมือไฟฟ้าที่ต่อสายดิน (ลงกราวด์) ปลั๊กที่ไม่มีการตัดแปลงและตัวรับชนิดเดียวกันจะช่วยลดความเสี่ยงจากการเกิดไฟฟ้าดูดได้

- ข) หลีกเลี่ยงการสัมผัสพื้นผิวที่ต้อสายดินหรือลงกราวด์ เช่น ท่อ หม้อน้ำ เตานึ่งต้ม และตู้เย็น หากร่างกายของคุณเป็นสื่อเชื่อมต่อดังนั้น จะมีความเสี่ยงเพิ่มขึ้นที่จะเกิดไฟฟ้าดูด
- ค) ห้ามใช้เครื่องมือไฟฟ้าถูกฝนหรือเปียกน้ำ หากน้ำเข้าเครื่องมือไฟฟ้าจะมีความเสี่ยงเกิดไฟฟ้าดูดมากขึ้น
- ง) ห้ามใช้สายไฟฟ้าผิดวัตถุประสงค์ ห้ามใช้สายไฟฟ้าเพื่อการหิ้ว ดึง หรือถอดปลั๊ก เครื่องมือไฟฟ้า เก็บสายไฟฟ้าให้ห่างจากความร้อน น้ำมัน ของมีคม หรือชิ้นส่วนที่หมุน หากสายไฟฟ้าชำรุดหรือพันกันจะเพิ่มความเสี่ยงเกิดไฟฟ้าดูดมากขึ้น
- จ) เมื่อใช้งานเครื่องมือไฟฟ้านอกอาคาร ให้ใช้สายต่อพ่วงที่เหมาะสมกับการใช้งานนอกอาคาร การใช้สายไฟฟ้าที่เหมาะสมกับการใช้กลางแจ้งจะช่วยลดความเสี่ยงจากการเกิดไฟฟ้าดูดได้
- ฉ) หากไม่สามารถหลีกเลี่ยงการใช้งานเครื่องมือไฟฟ้าในที่เปียกชื้นได้ ให้ใช้เครื่องตัดไฟรั่ว (RCD) เพื่อป้องกันการจ่ายไฟฟ้า การใช้ RCD จะลดความเสี่ยงจากไฟฟ้าช็อต
- 3) ความปลอดภัยส่วนบุคคล**
- ก) ดันตัว และมีสมาธิกับสิ่งที่คุณกำลังทำ และใช้สามัญสำนึก ในขณะที่กำลังใช้เครื่องมือไฟฟ้า ห้ามใช้เครื่องมือไฟฟ้าขณะที่คุณเหนื่อยหรือได้รับอิทธิพลจากยา แอลกอฮอล์ หรือการริษยา การขาดความระมัดระวังในการใช้เครื่องมือไฟฟ้าแม้เพียงชั่วขณะก็อาจทำให้ได้รับบาดเจ็บสาหัสได้
- ข) ใช้อุปกรณ์ป้องกันส่วนบุคคล สามอุปกรณ์ป้องกันควรดูตามเสมอ อุปกรณ์ป้องกัน เช่น หมวกกันฝน รองเท้านิรภัยกันลื่น หมวกนิรภัย หรืออุปกรณ์ป้องกันเสียงดังที่ใช้ในสภาวะที่เหมาะสมจะช่วยลดอาการบาดเจ็บทางร่างกาย
- ค) ป้องกันเครื่องเปิดทำงานโดยไม่ตั้งใจ ต้องแน่ใจว่าสวิตช์อยู่ในตำแหน่งปิดก่อนเชื่อมต่อเข้ากับแหล่งจ่ายไฟฟ้าและ/หรือชุดแบตเตอรี่ หรือกอนยทหรือหัวเครื่องมือ การถือเครื่องมือไฟฟ้าในขณะที่นิ้วอยู่ที่สวิตช์หรือการจ่ายไฟให้เครื่องมือโดยที่สวิตช์เปิดอยู่ อาจทำให้เกิดอุบัติเหตุได้
- ง) ถอดกุญแจปรับตั้งหรือประแจออกก่อนเปิดสวิตช์เครื่องมือไฟฟ้า ประแจหรือกุญแจที่เสียบค้างอยู่ในชิ้นส่วนที่หมุนได้ของเครื่องมือไฟฟ้าอาจส่งผลให้เกิดการบาดเจ็บได้
- จ) ห้ามยืนเขย่งเท้าขณะใช้เครื่อง ควรยืนในท่าที่เหมาะสมและสมดุลตลอดเวลา ซึ่งจะช่วยในการควบคุมเครื่องมือไฟฟ้าได้ดียิ่งขึ้นในสถานการณ์ที่ไม่คาดคิด
- ฉ) แต่งกายให้เหมาะสม ห้ามสวมเสื้อผ้าหลวมหรือใส่เครื่องประดับ รวบผม ขายเสื้อ และถุงมือให้ห่างจากชิ้นส่วนที่กำลังหมุน เสื้อผ้าที่หลวมหรือยาวรุ่มร่าม เครื่องประดับ หรือผมที่ยาวอาจเข้าไปพันกับชิ้นส่วนที่กำลังหมุน
- ข) หากมีอุปกรณ์สำหรับดูดและเก็บฝุ่น ต้องตรวจสอบให้แน่ใจว่าต่อและใช้งานอย่างเหมาะสม การใช้อุปกรณ์เก็บฝุ่นจะช่วยลดอันตรายที่เกี่ยวข้องกับฝุ่นได้
- 4) การใช้และการดูแลรักษาเครื่องมือไฟฟ้า**
- ก) ห้ามฝืนใช้เครื่องมือไฟฟ้า เลือกใช้เครื่องมือไฟฟ้าที่ถูกต้องตรงกับลักษณะการใช้งานของคุณ เครื่องมือไฟฟ้าที่เหมาะสมยอมทำงานได้ดีกว่าและปลอดภัยกว่าเมื่อใช้งานตามที่คิดที่ได้รับการออกแบบมา
- ข) ห้ามใช้เครื่องมือไฟฟ้ากำลังสวิตช์เปิดปิด เครื่องไม่ทำงาน เครื่องมือไฟฟ้าที่ไม่สามารถควบคุมด้วยสวิตช์ได้ ถือว่าไม่อันตรายและต้องซ่อม
- ค) ถอดปลั๊กของเครื่องมือไฟฟ้าออกจากแหล่งจ่ายไฟและ/หรือแบตเตอรี่ก่อนทำการปรับตั้ง เปลี่ยนอุปกรณ์เสริม หรือจัดเก็บเครื่องมือไฟฟ้า มาตรการเพื่อความปลอดภัยซึ่งป้องกันนี้จะช่วยลดความเสี่ยงในการเผลอเปิดเครื่องให้ทำงานโดยไม่ตั้งใจ
- ง) เก็บเครื่องมือไฟฟ้าที่พร้อมใช้งานไว้ในที่แห้ง มืด และไม่อนุญาตให้บุคคลที่ไม่คุ้นเคยกับเครื่องมือไฟฟ้าหรือคำแนะนำเหล่านี้เป็นผู้ใช้เครื่องมือ เครื่องมือไฟฟ้าจะเป็นอันตรายหากอยู่ในมือผู้ใช้ที่ไม่มีควมชำนาญ
- จ) บำรุงรักษาเครื่องมือไฟฟ้า ตรวจสอบว่าชิ้นส่วนที่หมุนได้ว่ามีารวางไม่ตรงแนวหรือติดขัดหรือไม่ หรือมีชิ้นส่วนที่แตกหักและสภาพอันใดที่อาจส่งผลต่อการทำงานของเครื่องมือไฟฟ้าหรือไม่ หากชำรุดเสียหายให้นำเครื่องมือไฟฟ้าส่งซ่อมก่อนการใช้งาน อุปกรณ์เหล่านี้มาจาก การดูแลรักษาเครื่องมือไฟฟ้าไม่ดีพอ
- ฉ) เครื่องมือต้องคมและสะอาดอยู่เสมอ เครื่องมือตัดที่ได้รับการดูแลรักษาที่เหมาะสมและมีความคมได้ดียิ่งขึ้น
- ข) ใช้เครื่องมือไฟฟ้า อุปกรณ์เสริม หรือชิ้นส่วนของเครื่องมือ ฯลฯ ตามข้อปฏิบัติเหล่านี้ โดยคำนึงถึงสภาพการทำงานและงานที่จะต้องปฏิบัติ การใช้เครื่องมือไฟฟ้าในการปฏิบัติงานที่แตกต่างจากรัดประตงค์เหล่านี้ อาจทำให้เกิดสถานการณ์อันตรายได้
- 5) การบำรุงรักษา**
- ก) ให้ช่างซ่อมที่มีความเชี่ยวชาญเป็นผู้ซ่อมเครื่องมือและใช้อะไหล่แท้เท่านั้น ซึ่งจะช่วยรับประกันได้ว่าเครื่องมือไฟฟ้ายังมีความปลอดภัยอยู่

## กฎด้านความปลอดภัยเฉพาะเพิ่มเติม

### ข้อปฏิบัติเพื่อความปลอดภัย สำหรับการใช้งานทุกประเภท

- ก) เครื่องมือไฟฟ้าที่มีวัตถุประสงค์เพื่อการใช้งานเป็นเครื่องเจียร อานค่าเดือน ข้อปฏิบัติเพื่อความปลอดภัยทั้งหมด รวมทั้งภาพประกอบและข้อมูลจำเพาะที่ให้มาเกี่ยวกับเครื่องมือไฟฟ้านี้ การไม่ปฏิบัติตามข้อปฏิบัติทั้งหมดในด้านล่างนี้ อาจทำให้ถูกไฟฟ้าช็อต เกิดเพลิงไหม้ และ/หรือบาดเจ็บสาหัสได้
- ข) ไม่แนะนำให้ใช้เครื่องมือไฟฟ้านี้กับการใช้งานประเภทการตัดด้วยกระดาษทราย การตัดด้วยแปรงขัดเงา การขัดเงา หรือการตัด การทำงานที่ไม่ตรงตามที่เครื่องมือได้รับการออกแบบมาอาจทำให้เกิดอันตรายและการบาดเจ็บได้
- ค) ห้ามใช้อุปกรณ์เสริมซึ่งไม่ได้รับการออกแบบมาโดยเฉพาะหรือไม่ได้รับการแนะนำจากผู้ผลิตเครื่องมือ การที่สามารถต่ออุปกรณ์เสริมเข้ากับเครื่องมือไฟฟ้าของคุณได้นั้น ไม่ได้รับประกันว่าอุปกรณ์เสริมนั้นจะทำงานอย่างปลอดภัย
- ง) ความเร็วตามที่กำหนดของอุปกรณ์เสริมต้องเท่ากับความเร็วสูงสุดที่กำกับไว้บนเครื่องมือไฟฟ้าเป็นอย่างน้อย อุปกรณ์เสริมที่ต้องทำงานด้วยความเร็วมากกว่าที่คิดความเร็วของอุปกรณ์ อาจแตกหักและกระเด็นหลุดออกได้
- จ) เส้นผ่านศูนย์กลางภายนอกและความหนาของอุปกรณ์เสริมต้องอยู่ภายในที่คิดความสามารถของเครื่องมือไฟฟ้า อุปกรณ์เสริมที่มีขนาดไม่เหมาะสมจะไม่สามารถให้การป้องกันหรือความคุ้มครองเพียงพอ
- ฉ) ส่วนที่เป็นเกลียวยึดสำหรับติดตั้งของอุปกรณ์เสริมต้องมีเกลียวตรงกันกับเกลียวของแกนหมุนของเครื่องเจียร สำหรับอุปกรณ์เสริมที่ยึดด้วยหน้าแปลน รูยึดของอุปกรณ์เสริมต้องพอดีกับเส้นผ่านศูนย์กลางกำหนดตำแหน่งของหน้าแปลน อุปกรณ์เสริมที่ไม่ตรงกันกับส่วนที่ใช้ยึดของเครื่องมือไฟฟ้าจะช่วยให้ขาดความสมดุล มีอาการสั่นมากเกินไป และอาจทำให้สูญเสียการควบคุมได้
- ช) ห้ามใช้อุปกรณ์เสริมที่ชำรุดเสียหาย ก่อนการใช้งานทุกครั้ง ให้ตรวจสอบอุปกรณ์เสริม เช่น แผ่นเจียร เพื่อดูหาเศษวัสดุและรอยร้าว ตรวจสอบแผ่นรองหลังเพื่อหาเศษร้าว การฉีกขาดหรือการสึกหรอเพิ่มขึ้น แปรผลวดเพื่อตรวจหาสายไฟฟ้าที่หลวมหรือแตก ถ้างาเครื่องมือไฟฟ้าหรืออุปกรณ์เสริมหลวม ให้ตรวจหาความชำรุดเสียหาย หรือติดตั้งอุปกรณ์เสริมที่ไม่ชำรุด หลังจากการตรวจสอบและติดตั้งอุปกรณ์เสริมแล้ว ตัวคุณและผู้ที่อยู่ใกล้เคียงต้องออกห่างจากแนวระนาบของอุปกรณ์เสริมที่กำลังหมุน และเปิดเครื่องมือไฟฟ้าที่ความเร็วสูงสุดโดยไม่มีภาระไหลดเป็นเวลาหนึ่งนาที โดยปกติอุปกรณ์เสริมที่ชำรุดจะแตกออกในระหว่างการทดสอบนี้
- ข) สวมอุปกรณ์ป้องกันส่วนบุคคล ใช้หน้ากากป้องกันฝุ่น แวนตาบิรภัย หรืออุปกรณ์ป้องกันตาอื่นๆ โดยขึ้นอยู่กับการทำงาน ให้สวมหน้ากากกันฝุ่น อุปกรณ์ป้องกันเสียงดัง ถุงมือ และผ้ากันเปื้อนที่สามารถป้องกันเศษทรายขัดหรือเศษชิ้นส่วนขนาดเล็กได้โดยขึ้นอยู่กับความเหมาะสมในการใช้งาน อุปกรณ์ป้องกันดวงตาต้องสามารถกันเศษชิ้นงานที่ปลิวออกมาซึ่งเกิดจากการทำงานประเภทต่างๆ หน้ากากกันฝุ่นหรือหน้ากากป้องกันต้องสามารถกรองฝุ่นที่เกิดจากการทำงานได้ การอยู่กับเสียงดังมากๆ เป็นเวลานานอาจทำให้สูญเสียความสามารถในการได้ยิน
- ฅ) กันผู้ที่อยู่ใกล้เคียงให้ออกห่างจากพื้นที่ทำงาน ผู้ที่เข้ามาในพื้นที่ทำงานจะต้องสวมใส่อุปกรณ์ป้องกันส่วนบุคคล ชิ้นส่วนของชิ้นงานหรืออุปกรณ์เสริมอาจหลุดกระเด็นออกมาได้ และอาจทำให้ได้รับบาดเจ็บในระยะเกินกว่าพื้นที่ทำงานโดยตรง
- ญ) เมื่อทำงานประเภทใดก็ตามที่อุปกรณ์เสริมที่ใช้กับงานตัดอาจสัมผัสกับสายไฟฟ้าที่ซ่อนอยู่หรือสายไฟฟ้าของตัวเครื่องเอง ให้จับเครื่องมือไฟฟ้าที่พื้นผิวส่วนที่ใช้จับซึ่งมีฉนวนป้องกันเท่านั้น อุปกรณ์เสริมที่ใช้กับงานตัดที่สัมผัสกับสายไฟฟ้าที่ "มีไฟฟ้า" อาจทำให้ส่วนของโลหะที่ถูกสัมผัส "มีไฟฟ้า" และอาจทำให้ผู้ใช้เครื่องมือถูกไฟฟ้าดูดได้
- ฎ) วางสายไฟฟ้าให้ห่างจากอุปกรณ์เสริมที่กำลังหมุน หากคุณสูญเสียการควบคุม สายไฟฟ้าอาจถูกตัดหรือตัดขาด และอาจมีกระแสของของคุณเข้าไปหาอุปกรณ์เสริมที่กำลังหมุนอยู่ได้
- ฏ) อย่าวางเครื่องมือไฟฟ้าจนกว่าอุปกรณ์เสริมจะหยุดหมุนแล้ว อุปกรณ์เสริมที่กำลังหมุนอยู่อาจจับยึดพื้นผิวไว้และดึงเครื่องมือไฟฟ้าออกจากความคุมของคุณ
- ฐ) ไม่ควรเปิดใช้เครื่องมือไฟฟ้าขณะถือเครื่องมือไว้ใกล้ตัว หากสัมผัสโดนอุปกรณ์เสริมที่กำลังหมุนโดยไม่ได้ตั้งใจ อาจไปเกี่ยวโดนเสื้อผ้าของคุณ และดึงอุปกรณ์เสริมเข้าหาตัวคุณได้
- ฑ) ทำความสะอาดของระนาบอากาศของเครื่องมือไฟฟ้าเป็นประจำ พัดลมของมอเตอร์จะดูดฝุ่นละอองเข้าไปในตัวเรือนและการสะสมของผง โลหะมากเกินไปอาจทำให้เกิดอันตรายทางไฟฟ้าได้
- ฒ) ห้ามใช้เครื่องมือไฟฟ้าใกล้วัสดุติดไฟ ประกายไฟอาจทำให้วัสดุเหล่านี้ติดไฟได้
- ณ) ห้ามใช้อุปกรณ์เสริมที่ต้องเติมสารหล่อลื่นที่เป็นของเหลว การใช้น้ำหรือของเหลวอื่นในการหล่อลื่นอาจทำให้ไฟฟ้าดูดหรือลัดวงจรได้

## ข้อปฏิบัติเพื่อความปลอดภัยเพิ่มเติมสำหรับการใช้งานทุกประเภท

### การตัดกลับและคำเตือนที่เกี่ยวข้อง

การตัดกลับคือปฏิกิริยาที่เกิดขึ้นแบบทันทีทันใดต่อแผ่นเจียร์ที่กำลังหมุน แผ่นรอง แปรง หรืออุปกรณ์เสริมอื่นๆ ที่ถูกหนีบหรือตัดขีด การหนีบหรือการตัดขีดจะทำให้ อุปกรณ์เสริมที่กำลังหมุนหยุดอย่างรวดเร็ว ซึ่งจะทำให้ เครื่องมือไฟฟ้าที่ไม่มีการควบคุมถูกดึงไปในทิศทางที่ ตรงกันข้ามกับการหมุนของอุปกรณ์เสริมในจุดที่ตัดขีด

ตัวอย่างเช่น ถ้าแผ่นเจียร์ตัดขีดหรือถูกหนีบโดยชิ้นงาน ขอบของแผ่นเจียร์ที่กำลังเข้าไปสู่จุดหนีบอาจดันเข้าไปสู่พื้นผิวของแผ่น ซึ่งจะทำให้แผ่นเจียร์ปืนออกหรือหลุด ออก แผ่นเจียร์อาจกระเด็นไปหาหรือกระเด็นออกจากผู้ ปฏิบัติงาน ทั้งนี้ขึ้นอยู่กับทิศทางการหมุนของแผ่นเจียร์ ในจุดที่ถูกหนีบ แผ่นเจียร์ยังอาจแตกหักภายใต้สภาวะ เหล่านี้ได้อีกด้วย

การตัดกลับเป็นผลจากการใช้งานเครื่องมือผิดวิธี และ/ หรือขั้นตอนหรือสภาพการใช้งานที่ไม่ถูกต้อง ซึ่ง สามารถหลีกเลี่ยงได้โดยการปฏิบัติตามคำแนะนำที่ เหมาะสมที่ระบุไว้ด้านล่างนี้

- ก) จับยึดเครื่องมือไฟฟ้าให้แน่นตลอดเวลา และ วางตำแหน่งตัวและแขนเพื่อให้อุปกรณ์สามารถต้าน แรงตัดกลับได้ ใช้มือจับเสริมด้วยเสมอหากมี ให้นำ เพื่อทำให้สามารถควบคุมการตัดกลับ หรือควบคุมผลจากแรงบิดได้อย่างเต็มที่ใน ระหว่างเริ่มเปิดเครื่อง ผู้ปฏิบัติงานสามารถ ควบคุมปฏิกิริยาของแรงบิดหรือแรงตัดกลับได้ ถ้า ดำเนินมาตรการป้องกันที่เหมาะสม
- ข) ห้ามยื่นมือเข้าไปใกล้อุปกรณ์เสริมที่กำลังหมุน อุปกรณ์เสริมอาจดีดใส่มือได้
- ค) อย่าให้ร่างกายของคุณอยู่ในบริเวณที่เครื่อง มือไฟฟ้าจะเคลื่อนที่ไปได้ในกรณีที่มีการตัด กลับเกิดขึ้น การตัดกลับจะทำให้เครื่องมือเหวี่ยง กลับในทิศทางตรงกันข้ามกับการหมุนของแผ่น เจียร์ ณ ตำแหน่งที่ตัดขีด
- ง) ใช้ความระมัดระวังเป็นพิเศษขณะทำงานกับ มุม ขอบที่คม หรืออื่นๆ หลีกเลี่ยงการทำให้อุปกรณ์เสริมกระดอนไปมาหรือตัดขีด มุมต่างๆ ขอบที่คม หรือการกระดอนไปมามีแนวโน้มจะทำให้ สูญเสียการควบคุมหรือตัดกลับได้
- จ) ห้ามติด ใบเลื่อยไม้แบบโซ่เลื่อยหรือ ใบเลื่อย แบบมีฟัน ใบเลื่อยดังกล่าวจะทำให้เกิดการตัด กลับบ่อยครั้งและสูญเสียการควบคุม

### คำเตือนเพื่อความปลอดภัยสำหรับการปฏิบัติงานด้านการเจียร์

- ก) ใช้แผ่นเจียร์ชนิดที่แนะนำสำหรับเครื่องมือ ไฟฟ้าของคุณและอุปกรณ์ป้องกันที่ออกแบบ มาสำหรับแผ่นเจียร์ที่เลือกโดยเฉพาะ แผ่นเจียร์ ที่ไม่ได้ออกแบบมาให้เข้ากับเครื่องมือไฟฟ้าจะไม่ ได้รับการป้องกันอย่างเพียงพอและไม่ปลอดภัย

- ข) พื้นผิวการเจียร์ของแผ่นเจียร์ที่ตกลง ศูนย์กลางต้องยึดอยู่ในแนวระนาบของขอบ ป้องกัน แผ่นเจียร์ที่ยึดอย่างไม่ถูกต้อง ซึ่งปรากฏ ผ่านแนวระนาบของขอบป้องกันจะไม่สามารถ ป้องกันได้อย่างเพียงพอ
- ค) ตัวครอบป้องกันต้องได้รับการติดตั้งเข้ากับ เครื่องมือไฟฟ้าอย่างแน่นหนาและอยู่ใน ตำแหน่งที่มีความปลอดภัยสูงสุด เพื่อให้ไม่มี ส่วนของแผ่นเจียร์หันเข้าหาผู้ทำงานได้น้อย ที่สุด ตัวครอบป้องกันจะช่วยปกป้องผู้ทำงานจาก ชิ้นส่วนของแผ่นเจียร์ที่แตกหักและการสัมผัสกับ แผ่นเจียร์โดยไม่ตั้งใจ และประกายไฟอาจทำให้ เสี่ยงต่อการเกิดไฟไหม้
- ง) ต้องใช้แผ่นเจียร์สำหรับการใช้งานแนะนำ เท่านั้น ตัวอย่างเช่น: ห้ามใช้ด้านข้างของแผ่น ตัดกับงานเจียร์ แผ่นเจียร์แบบตัดมีวัตถุประสงค์ เพื่อการเจียร์แนวด้านข้าง แรงด้านข้างที่กระทำกับ งานเหล่านี้จะทำให้แผ่นแตกออกได้
- จ) ใช้หน้าแปลนแผ่นเจียร์ที่ไม่เสียหาย ซึ่งมี ขนาดและรูปร่างที่ถูกต้องกับแผ่นเจียร์ของคุณ หน้าแปลนแผ่นเจียร์ที่เหมาะสมจะช่วยรองรับ แผ่นเจียร์ไว้ ดังนั้นจึงลดโอกาสการแตกหักของ แผ่นเจียร์ได้ หน้าแปลนสำหรับแผ่นตัดอาจแตก ต่างจากหน้าแปลนสำหรับแผ่นเจียร์
- ฉ) ห้ามใช้แผ่นเก่าที่สึกมาจากเครื่องมือไฟฟ้าที่มี ขนาดใหญ่กว่า แผ่นที่มีไว้สำหรับเครื่องมือไฟฟ้า ขนาดใหญ่ไม่สามารถใช้ได้กับเครื่องมือที่มีความเร็ว สูงกว่าหรือเครื่องมือที่เล็กกว่า และอาจแตกหักได้

### ความเสี่ยงที่หลงเหลือ

แม้ว่าจะปฏิบัติตามข้อกำหนดด้านความปลอดภัยที่ เกี่ยวข้อง และใช้อุปกรณ์นิรภัย แต่ความเสี่ยงที่หลง เหลือบางอย่างก็ไม่สามารถหลีกเลี่ยงได้ ได้แก่:

- ความบอบช้ำในการได้ยินเสียง
- ความเสี่ยงต่อการบาดเจ็บส่วนบุคคลเนื่องจากฝุ่นที่ ปลิว
- ความเสี่ยงต่อการถูกความร้อนลวกเนื่องจากอุปกรณ์ เสริมมีความร้อนมากเกินไประหว่างการทำงาน
- ความเสี่ยงต่อการบาดเจ็บส่วนบุคคลเนื่องจากการ ใช้งานนานเกินไป
- ความเสี่ยงต่อฝุ่นผงจากสารอันตราย

### เครื่องหมายบนเครื่องมือ

สัญลักษณ์ต่อไปนี้จะแสดงอยู่บนเครื่องมือ



อ่านคู่มือการใช้งานก่อนการใช้



สวมอุปกรณ์ป้องกันหู



สวมอุปกรณ์ป้องกันดวงตา

### ตำแหน่งรหัสรุ่นที่ (รูปที่ 1)

รหัสรุ่นที่ (n) ซึ่งรวมถึงปีที่ผลิต จะพิมพ์ไว้บนตัวเครื่อง  
ตัวอย่าง:

2017 XX XX  
ปีที่ผลิต

### สิ่งที่อยู่ในบรรจุภัณฑ์

บรรจุภัณฑ์ประกอบด้วย:

- เครื่องเจียรไฟฟ้า 1 เครื่อง
- ตัวครอบป้องกัน 1 ชิ้น
- ชุดหน้าแปลน 1 ชุด
- ประแจสองขา 1 ชิ้น
- คู่มือการใช้งาน 1 เล่ม

- ตรวจสอบความเสียหายบนเครื่องมือ ชิ้นส่วน หรืออุปกรณ์เสริม ซึ่งอาจเกิดขึ้นระหว่างการขนส่ง
- โปรดอ่านและทำความเข้าใจคู่มือฉบับนี้อย่างละเอียดก่อนการใช้งาน

### รายละเอียด (รูปที่ 1)



**คำเตือน:** ห้ามตัดแปลงเครื่องมือไฟฟ้าหรือชิ้นส่วนใดๆ อาจทำให้เกิดความเสียหายหรือการบาดเจ็บต่อบุคคลได้

- ก. สวิตช์เปิด/ปิด
- ข. ตัวล็อกแกน
- ค. ตัวครอบป้องกัน

### วัตถุประสงค์การใช้งาน

เครื่องเจียรไฟฟ้า DW810 ออกแบบมาสำหรับงานเจียรสำหรับมืออาชีพ

ห้ามใช้แผ่นเจียรอื่นนอกเหนือจากแผ่นเจียรที่ตกลงศูนย์กลางและงานทรายซ้อน

ห้ามใช้ในสภาวะที่เปียกชื้น หรือในสถานที่ที่มีของเหลวหรือแก๊สที่ติดไฟได้

เครื่องเจียรไฟฟ้าสำหรับงานหนักนี้เป็นเครื่องมือไฟฟ้าสำหรับมืออาชีพ

ห้ามให้เด็กเข้าใกล้เครื่องมือ ต้องมีผู้ควบคุมดูแลจากผู้ใช้งานที่ไม่มีประสบการณ์ใช้งานเครื่องมือนี้

### ความปลอดภัยทางไฟฟ้า

มอเตอร์ไฟฟ้าออกแบบมาสำหรับแรงดันไฟฟ้าเดียวเท่านั้น ต้องตรวจสอบกำลังไฟเพื่อให้ตรงกับแรงดันไฟฟ้าบนแผ่นแสดงพิกัดเสมอ



เครื่องมือ DEWALT มีฉนวนสองชั้นตามมาตรฐาน EN 60745 ดังนั้นจึงไม่จำเป็นต้องมีสายดิน

หากสายไฟฟ้าเกิดความเสียหาย จะต้องเปลี่ยนโดยสายไฟฟ้าที่เตรียมไว้เป็นพิเศษ ซึ่งสามารถหาได้จากองค์กรที่ให้บริการของ DEWALT

### การใช้สายต่อพ่วง

หากจำเป็นต้องใช้สายต่อพ่วง ให้ใช้สายต่อพ่วงแบบ 3 แกนที่ได้รับอนุมัติซึ่งมีความเหมาะสมกับกำลังไฟฟ้าเข้าของเครื่องมือนี้ (ดูที่ข้อมูลเชิงเทคนิค) ขนาดของตัวนำไฟฟ้าขั้นต่ำคือ 1.5 มม.<sup>2</sup> ความยาวสูงสุดคือ 30 ม.

เมื่อใช้ที่ม้วนเก็บสายไฟ จะต้องคลี่สายไฟให้ออกมาทั้งหมด

### ชิ้นส่วนและการปรับตั้ง



**คำเตือน:** ปิดสวิตช์เครื่องมือและถอดปลั๊กไฟจากแหล่งจ่ายพลังงานก่อนทำการปรับตั้งหรือถอด/ติดตั้งอุปกรณ์ยึดติดหรืออุปกรณ์เสริมเพื่อลดความเสี่ยงจากการบาดเจ็บส่วนบุคคลที่สาหัส ก่อนเชื่อมต่อเครื่องมือ ให้กดและปล่อยสวิตช์ไกเพื่อรับรองว่าเครื่องมือปิดอยู่

### การยึดและการถอดตัวครอบป้องกัน (รูปที่ 2)



**คำเตือน:** ปิดสวิตช์เครื่องมือและถอดปลั๊กไฟจากแหล่งจ่ายพลังงานก่อนทำการปรับตั้งหรือถอด/ติดตั้งอุปกรณ์ยึดติดหรืออุปกรณ์เสริมเพื่อลดความเสี่ยงจากการบาดเจ็บส่วนบุคคลที่สาหัส ก่อนเชื่อมต่อเครื่องมือ ให้กดและปล่อยสวิตช์ไกเพื่อรับรองว่าเครื่องมือปิดอยู่

### หากต้องการยึดตัวครอบป้องกัน

1. วางเครื่องเจียรไฟฟ้าลงบนโต๊ะ หางยกแกนขึ้น
2. กดตัวครอบป้องกันลง (รูป 2ก)
3. จัดตำแหน่งตัวครอบป้องกันระหว่างตัวเครื่องและชิ้นงาน
4. ชันสกรูที่ยึดปลอกสายรัดให้แน่นรอบคอของแกน (รูป 2ข)

### ถอดตัวครอบป้องกันออก

1. คลายสกรูที่ยึดปลอกสายรัดรอบคอของแกน
2. ยกตัวครอบป้องกันขึ้น



**คำเตือน:** ห้ามใช้เครื่องมือโดยไม่ติดตั้งตัวครอบป้องกัน

หมายเหตุ: โปรดดูที่ตารางอุปกรณ์เสริมเครื่องเจียรท้ายบทนี้เพื่อดูอุปกรณ์เสริมอื่นๆ ที่สามารถใช้กับเครื่องเจียรนี้ได้



## การติดตั้งและการถอดแผ่นเจียร์ (รูปที่ 3, 4)



**คำเตือน:** ห้ามใช้งานที่ชำรุดเสียหาย

1. วางเครื่องเจียร์ไฟฟ้าลงบนโต๊ะ หางยตัวครอบป้องกันขึ้น
2. ติดตั้งหน้าแปลนใน (ง) บนแกนให้ถูกต้อง (จ) (รูปที่ 3)
3. วางแผ่นเจียร์ (ฉ) ลงบนหน้าแปลน (ง) เมื่อติดตั้งแผ่นเจียร์กับศูนย์กลางที่ยกสูงขึ้น ต้องแน่ใจว่าศูนย์กลางที่ยกขึ้น (ข) หันหน้าเข้าหาหน้าแปลน (ง)
4. ขึ้นหน้าแปลนนอก (ช) บนแกน (จ) (รูปที่ 4) แหวนบนหน้าแปลน (ข) ต้องหันเข้าแผ่นเจียร์เมื่อติดตั้งแผ่นเจียร์
5. กดตัวล็อกแกน (ข) และหมุนแกน (จ) จนล็อกเข้าตำแหน่ง
6. ขึ้นหน้าแปลน (ช) ให้แน่นด้วยประแจสองขาที่เหมาะสม
7. ปล่อยตัวล็อก
8. หากต้องการถอดแผ่นเจียร์ออก ให้คลายหน้าแปลน (ช) ด้วยประแจสองขา

## ก่อนการใช้งาน

- ติดตั้งตัวครอบป้องกันและจานหรือแผ่นเจียร์ให้เหมาะสม ห้ามใช้งานหรือแผ่นเจียร์ที่เสียหายมากเกินไป
- ต้องแน่ใจว่ายึดหน้าแปลนในและนอกอย่างถูกต้อง
- ต้องแน่ใจว่าจานหรือแผ่นเจียร์หมุนตามทิศทางของลูกศรบนอุปกรณ์เสริมและเครื่องมือ

## การทำงาน

### คำแนะนำการใช้งาน



**คำเตือน:** ต้องสังเกตคำแนะนำเพื่อความปลอดภัยและข้อบังคับที่เกี่ยวข้องเสมอ



**คำเตือน:** ปิดสวิตช์เครื่องมือและถอดปลั๊กไฟจากแหล่งจ่ายพลังงานก่อนทำการปรับตั้งหรือถอด/ติดตั้งอุปกรณ์ยึดติดหรืออุปกรณ์เสริมเพื่อลดความเสี่ยงจากการบาดเจ็บส่วนบุคคลที่สาหัสก่อนเชื่อมต่อเครื่องมือ ให้กดและปล่อยสวิตช์ไกเพื่อรับรองว่าเครื่องมือปิดอยู่



**คำเตือน:**

- รับรองว่ายึดวัสดุทั้งหมดลงที่ต่อกราวด์เข้าที่
- ใช้แรงดันที่อ่อนโยนกับเครื่องมือเท่านั้น อย่าฝืนแรงดันด้านข้างบนจาน

- หลีกเลี่ยงแรงโหลดที่มากเกินไป หากเครื่องมือร้อน ให้ปล่อยเครื่องมือให้เย็นลงสองสามนาทีโดยไม่มีสภาพโหลด

## การเปิดและปิดสวิตช์ (รูปที่ 1)



**คำเตือน:** ก่อนการใช้เครื่องมือ ให้ตรวจสอบว่ายึดที่จับอย่างแน่นหนาแล้ว

หากต้องการใช้งานเครื่องมือ ให้กดสวิตช์ (ก) ก่อนเคลื่อนเครื่องมือทั้งหมดไปข้างหน้า

หากต้องการหยุดเครื่องมือ ให้ผลักสวิตช์ (ก) กลับไปยังตำแหน่งตรงข้าม

หากต้องการหยุดเครื่องมือในการทำงานต่อเนื่อง ให้กดส่วนหลังของสวิตช์



**คำเตือน:** หากกดเปิดหรือปิดสวิตช์ขณะที่มีภาระโหลด

## ตัวล็อกแกน (รูปที่ 1)

ตัวล็อกแกน (ข) มีไว้เพื่อป้องกันแกนจากการหมุนขณะติดตั้งหรือถอดแผ่นเจียร์ กดตัวล็อกแกนเฉพาะเวลาที่ปิดสวิตช์เครื่องมืออยู่ ถอดปลั๊กจากแหล่งจ่ายไฟฟ้าและเครื่องมือหยุดสนิทแล้วเท่านั้น

**โปรดทราบ:** หากต้องการลดความเสี่ยงที่จะเกิดความเสียหายต่อเครื่องมือ ห้ามกดตัวล็อกแกนขณะที่เครื่องมือกำลังทำงาน จะส่งผลให้เกิดความเสียหายกับเครื่องมือและอุปกรณ์เสริมที่ติดตั้งอยู่อาจหมุนออกนอกทิศทางจนอาจเกิดการบาดเจ็บได้

หากต้องการล็อก ให้กดปุ่มล็อกแกนและหมุนแกนจนกระทั่งคุณไม่สามารถหมุนแกนได้อีก

## การใช้งานกับโลหะ

เมื่อใช้งานเครื่องมือกับโลหะ ต้องแน่ใจว่ามีการติดตั้งเครื่องตัดไฟรั่ว (RCD) เพื่อหลีกเลี่ยงความเสี่ยงที่หลงเหลือที่อาจเกิดขึ้นจากเศษโลหะ

หาก RCD ตัดการจ่ายพลังงาน โปรดส่งเครื่องมือให้ศูนย์บริการที่ได้รับการแต่งตั้งของ DEWALT



**คำเตือน:** ในสภาพการทำงานที่รุนแรง อาจเป็นการสะสมฝุ่นผงไว้ในภายในตัวเครื่องมือขณะที่ทำงานกับโลหะ ซึ่งอาจส่งผลทำให้ฉนวนป้องกันภายในเครื่องมือเสื่อมประสิทธิภาพลง และมีโอกาสที่จะเกิดไฟฟ้าช็อต

เราขอแนะนำให้ทำความสะอาดช่องระบายอากาศเป็นประจำทุกวันเพื่อหลีกเลี่ยงการสะสมของเศษโลหะภายในเครื่องมือ โปรดดูที่การซ่อมบำรุง

## การใช้งานทรายซ้อน



**คำเตือน:** การสะสมของฝุ่นโลหะ การใช้งานทรายซ้อนในงานโลหะขนาดใหญ่ อาจส่งผลให้เกิดไฟฟ้าช็อตเพิ่มขึ้น เพื่อเป็นการลดความเสี่ยงดังกล่าว โปรดติดตั้ง RCD

ก่อนการใช้งานและทำความสะอาดของ  
ระบายอากาศด้วยการเป่าแรงดันลมแห่ง  
เข้าไปยังของระบายอากาศเป็นประจำทุกวัน  
ตามคำแนะนำการบำรุงรักษาดังต่อไปนี้

### การบำรุงรักษา

เครื่องมือไฟฟ้า DEWALT ได้รับการออกแบบเพื่อการทำงานเป็นเวลานานโดยต้องการการบำรุงรักษาบ่อยที่สุด ความพึงพอใจในการใช้งานอย่างต่อเนื่องจะขึ้นอยู่กับ การดูแลรักษาเครื่องมือและการทำงานสะอาดอย่างสม่ำเสมอ



**คำเตือน:** ปิดสวิตช์เครื่องมือและถอดปลั๊กไฟจากแหล่งจ่ายพลังงานก่อนทำการปรับตั้งหรือถอด/ติดตั้งอุปกรณ์ยึดติดหรืออุปกรณ์เสริมเพื่อลดความเสี่ยงจากการบาดเจ็บส่วนบุคคลที่สาหัส ก่อนเชื่อมต่อเครื่องมือ ให้กดและปล่อยสวิตช์ไกเพื่อรับรองว่าเครื่องมือมีปิดอยู่

### แปรงถ่านแบบตัดอัตโนมัติ

มอเตอร์จะหยุดการทำงานโดยอัตโนมัติ เพื่อบอกว่าแปรงถ่านสึกเกือบทั้งหมดแล้ว และจำเป็นต้องซ่อมบำรุงเครื่องมือ แปรงถ่านเป็นชิ้นส่วนที่ผู้ใช้ไม่สามารถซ่อมบำรุงได้เอง โปรดส่งเครื่องมือให้ตัวแทนการซ่อมของ DEWALT



### การหล่อลื่น

เครื่องมือไฟฟ้าของคุณไม่จำเป็นต้องหล่อลื่นเพิ่มเติม



### การทำความสะอาด



**คำเตือน:** เป่าสิ่งสกปรกและฝุ่นผงออกจากตัวเครื่องหลักด้วยลมแห้งเป็นประจำ เมื่อเห็นว่าสิ่งสกปรกสะสมอยู่ในและโดยรอบบริเวณของระบายอากาศ โปรดสวมอุปกรณ์ป้องกันดวงตาและหน้ากากป้องกันฝุ่นที่ได้รับอนุมัติเมื่อดำเนินการขั้นตอนนี้



**คำเตือน:** ห้ามใช้สารทำลายหรือสารเคมีที่รุนแรงในการทำความสะอาดชิ้นส่วนของเครื่องมือที่ไม่ใช่โลหะ สารเคมีเหล่านี้ อาจทำให้วัสดุของชิ้นส่วนเหล่านี้เสื่อมสภาพได้ ทำความสะอาดด้วยผ้าชุบน้ำสบู่น้ำสะอาดเท่านั้น ห้ามให้ของเหลวเข้าสู่ภายในของเครื่องมือ และห้ามจุ่มส่วนใดๆ ลงในของเหลว

### อุปกรณ์เสริมที่เลือกได้



**คำเตือน:** เนื่องจากผลิตภัณฑ์นี้ไม่ได้มี การทดสอบอุปกรณ์เสริมนอกเหนือจากที่ DEWALT นำเสนอไม่ได้ทดสอบ การใช้ อุปกรณ์เสริมดังกล่าวกับเครื่องมือนี้อาจเป็นอันตรายได้ ควรใช้เฉพาะอุปกรณ์เสริมจาก DEWALT ที่แนะนำกับผลิตภัณฑ์นี้ เท่านั้น เพื่อเป็นการลดความเสี่ยงจากการบาดเจ็บ

โปรดปรึกษาตัวแทนจำหน่ายของคุณสำหรับข้อมูลเพิ่มเติมเกี่ยวกับอุปกรณ์เสริมที่เหมาะสม

### การปกป้องสิ่งแวดล้อม



การรวบรวมแบบคัดแยก ห้ามทิ้งผลิตภัณฑ์นี้ร่วมกับขยะในครัวเรือนปกติ

หากเมื่อใดที่จำเป็นต้องเปลี่ยนผลิตภัณฑ์ DEWALT หรือหากคุณไม่ได้ใช้งานเครื่องมือนี้อีกต่อไป อยากรู้ที่ผลิตภัณฑ์นี้พร้อมกับขยะในครัวเรือน จัดการกับผลิตภัณฑ์นี้เพื่อให้พร้อมสำหรับการคัดแยกขยะ



การคัดแยกผลิตภัณฑ์และบรรจุภัณฑ์ที่ใช้แล้วช่วยให้สามารถรีไซเคิลและนำวัสดุกลับมาใช้งานได้ อีก การนำวัสดุรีไซเคิลมาใช้อีกครั้งจะช่วงบ่งกั้นมลพิษต่อสิ่งแวดล้อมและลดความต้องการวัตถุดิบได้

กฎระเบียบท้องถิ่นอาจมีการจัดเตรียมสถานที่สำหรับ การเก็บรวบรวมแบบคัดแยกอุปกรณ์ไฟฟ้าที่ใช้ภายในครัวเรือนไว้ ณ แหล่งรับขยะของเทศบาล หรืออาจมีการรับ อุปกรณ์ใช้แล้วจากผู้ค้าปลีกในกรณีที่คุณซื้อผลิตภัณฑ์ชิ้นใหม่

คุณสามารถตรวจสอบตำแหน่งของตัวแทนการซ่อมที่ได้ รับอนุญาตโดยการติดต่อสำนักงาน DEWALT ในท้องถิ่นของคุณตามที่อยู่ที่ระบุในคู่มือนี้ หรือสามารถดูรายชื่อตัวแทนการซ่อมของ DEWALT ที่ได้รับอนุญาต รายละเอียดทั้งหมดของบริการหลังการขาย และเบอร์ดติดต่อได้จากอินเทอร์เน็ตที่: [www.2helpU.com](http://www.2helpU.com)

# MÁY MÀI GÓC

## DW803/DW810

### Chúc mừng!

Bạn đã chọn dụng cụ của DEWALT. Nhiều năm kinh nghiệm phát triển và đổi mới sản phẩm giúp DEWALT trở thành một trong những đối tác tin cậy đối với người dùng dụng cụ điện cầm tay chuyên nghiệp.

### Thông số kỹ thuật

	DW803/B1	DW803/XD	DW803/A9
Loại	10	10	10
Công suất đầu vào W	800	800	800
Tốc độ không tải/ Tốc độ định mức min <sup>-1</sup>	12.000	12.000	12.000
Đường kính đĩa mm	100	100	100
Độ dày đĩa mài mm	6	6	6
Loại đĩa	27	27	27
Đường kính trục chính	M10	M10	M10
Trọng lượng kg	1,9	1,9	1,9

	DW810/B1	DW810/XD	DW810/A9
Loại	10	10	10
Công suất đầu vào W	710	710	710
Tốc độ không tải/ Tốc độ định mức min <sup>-1</sup>	12.000	12.000	12.000
Đường kính đĩa mm	100	100	100
Độ dày đĩa mài mm	6	6	6
Loại đĩa	27	27	27
Đường kính trục chính	M10	M10	M10
Trọng lượng kg	1,9	1,9	1,9

### Định nghĩa: Hướng dẫn an toàn

Các định nghĩa sau đây mô tả mức độ nghiêm trọng của từng từ báo hiệu. Vui lòng đọc hướng dẫn và chú ý đến các ký hiệu này.



**NGUY HIỂM:** Cho biết tình huống nguy hiểm cận kề mà nếu không tránh sẽ dẫn đến tử vong hoặc thương tích nghiêm trọng.



**CẢNH BÁO:** Cho biết tình huống nguy hiểm tiềm ẩn mà nếu không tránh có thể dẫn đến tử vong hoặc thương tích nghiêm trọng.



**THẬN TRỌNG:** Cho biết tình huống nguy hiểm tiềm ẩn mà nếu không tránh có thể dẫn đến thương tích nhỏ hoặc vừa.

**CHÚ Ý:** Cho biết một hành động không liên quan đến thương tích cá nhân mà nếu không tránh có thể dẫn đến thiệt hại về tài sản.



Biểu thị nguy cơ điện giật.



Biểu thị nguy cơ hỏa hoạn.



**CẢNH BÁO:** Để giảm nguy cơ thương tích, hãy đọc sổ tay hướng dẫn này.

### Cảnh báo chung về an toàn với dụng cụ điện cầm tay



**CẢNH BÁO!** Hãy đọc tất cả các cảnh báo và hướng dẫn về an toàn. Việc không tuân theo các cảnh báo và hướng dẫn này có thể dẫn đến điện giật, cháy nổ và/hoặc thương tích nghiêm trọng.

### Lưu toàn bộ cảnh báo và hướng dẫn để tham khảo trong tương lai

Thuật ngữ “dụng cụ điện cầm tay” trong cảnh báo chỉ dụng cụ điện cầm tay (có dây) chạy bằng điện hoặc dụng cụ điện cầm tay (không dây) chạy bằng pin.

#### 1) AN TOÀN TẠI NƠI LÀM VIỆC

- Khu vực làm việc phải luôn sạch sẽ và đủ ánh sáng.** Khu vực bừa bộn hay thiếu ánh sáng dễ gây tai nạn.
- Không vận hành dụng cụ điện cầm tay trong môi trường dễ cháy nổ như môi trường có chất lỏng, khí hoặc bụi dễ cháy.** Dụng cụ điện cầm tay tạo ra các tia lửa có thể gây cháy bụi hoặc bốc khói.
- Không cho trẻ em và những người không liên quan lại gần trong khi đang vận hành dụng cụ điện.** Những lúc xao lãng có thể khiến bạn mất kiểm soát.

#### 2) AN TOÀN ĐIỆN

- Phích cắm của dụng cụ điện cầm tay phải vừa với ổ cắm. Không được sửa đổi phích cắm dưới bất kỳ hình thức nào. Không được sử dụng bất kỳ phích cắm tiếp hợp nào với những dụng cụ điện cầm tay có nối đất.** Phích cắm nguyên gốc và ổ cắm phù hợp sẽ giảm nguy cơ bị điện giật.

- b) **Tránh để cơ thể tiếp xúc với các bề mặt được nối đất như đường ống, lò sưởi, bếp nướng và tủ lạnh.** Nguy cơ bị điện giật sẽ cao hơn nếu cơ thể bạn bị nối đất.
- c) **Không để các dụng cụ điện ngoài trời mưa hoặc ở nơi ẩm ướt.** Nước vào trong dụng cụ điện cầm tay sẽ làm tăng nguy cơ điện giật.
- d) **Không sử dụng dây điện vào các mục đích khác.** Tuyệt đối không sử dụng dây điện để mang, kéo hoặc rút phích cắm dụng cụ điện cầm tay. Để dây điện cách xa nguồn nhiệt, dầu mỡ, các cạnh sắc hoặc các bộ phận chuyển động. Dây điện bị hỏng hoặc bị vướng sẽ làm tăng nguy cơ điện giật.
- e) **Khi sử dụng dụng cụ điện cầm tay ngoài trời, hãy sử dụng dây nối dài phù hợp với điều kiện sử dụng ngoài trời.** Dùng dây điện phù hợp để sử dụng ngoài trời sẽ giảm nguy cơ bị điện giật.
- f) **Nếu bắt buộc phải vận hành dụng cụ điện cầm tay ở nơi ẩm ướt, hãy sử dụng nguồn điện được bảo vệ của thiết bị chống dòng rò (RCD).** Sử dụng RCD giúp giảm nguy cơ điện giật.
- 3) AN TOÀN CÁ NHÂN
- a) **Hãy tập trung, chú ý vào những gì bạn đang làm và tỉnh táo khi vận hành dụng cụ điện cầm tay.** Không sử dụng dụng cụ điện cầm tay khi bạn đang mệt hoặc bị ảnh hưởng bởi rượu bia, ma túy hoặc chất kích thích. Một khoảnh khắc mất tập trung trong khi vận hành dụng cụ điện cầm tay có thể dẫn đến thương tích cá nhân nghiêm trọng.
- b) **Sử dụng các thiết bị bảo hộ cá nhân.** Luôn đeo kính bảo hộ. Thiết bị bảo hộ như mặt nạ chống bụi, giày chống trượt, mũ cứng hoặc bộ phận bảo vệ tai nếu được sử dụng trong những điều kiện phù hợp sẽ giúp giảm thương tích cá nhân.
- c) **Tránh vô tình bật dụng cụ.** Đảm bảo công tắc ở vị trí tắt trước khi nối với nguồn điện và/hoặc pin, khi cắm hoặc mang dụng cụ. Việc cầm dụng cụ điện cầm tay khi ngón tay đặt vào công tắc hoặc sạc pin cho dụng cụ điện cầm tay khi công tắc đang bật dễ gây ra tai nạn.
- d) **Hãy tháo hết khóa hoặc cò lê điều chỉnh trước khi bật dụng cụ điện cầm tay.** Không tháo hết cò lê hoặc khóa ra khỏi bộ phận quay của dụng cụ điện cầm tay có thể dẫn đến thương tích cá nhân.
- e) **Không được với tay. Hãy đứng ở tư thế phù hợp và luôn giữ thăng bằng.** Điều đó giúp kiểm soát dụng cụ điện cầm tay tốt hơn trong các tình huống bất ngờ.
- f) **Mặc quần áo phù hợp.** Không mặc quần áo rộng hay đeo đồ trang sức. Giữ cho tóc, quần áo và găng tay tránh xa các bộ phận chuyển động. Quần áo rộng, đồ trang sức hoặc tóc dài có thể bị mắc vào các bộ phận chuyển động.
- g) **Nếu các thiết bị được cung cấp để nối các phương tiện hút hoặc gom bụi, hãy đảm bảo những thiết bị này được kết nối và sử dụng đúng cách.** Việc sử dụng thiết bị hút bụi có thể giúp giảm nguy cơ liên quan đến bụi.
- 4) SỬ DỤNG VÀ BẢO QUẢN DỤNG CỤ ĐIỆN CẦM TAY
- a) **Không sử dụng dụng cụ điện cầm tay trái với công năng.** Sử dụng dụng cụ điện cầm tay phù hợp với mục đích của bạn. Dụng cụ điện cầm tay phù hợp sẽ giúp bạn làm việc hiệu quả hơn và an toàn hơn theo đúng tốc độ được thiết kế.
- b) **Không sử dụng dụng cụ điện cầm tay nếu công tắc không bật và tắt được.** Những dụng cụ điện cầm tay không thể điều khiển bằng công tắc rất nguy hiểm và cần phải được sửa chữa.
- c) **Rút phích cắm của dụng cụ điện ra khỏi nguồn điện và/hoặc tháo pin trước khi thực hiện điều chỉnh, thay phụ kiện, hoặc cất giữ dụng cụ điện cầm tay.** Các biện pháp an toàn phòng ngừa này giúp hạn chế nguy cơ vô tình khởi động dụng cụ điện cầm tay.
- d) **Bảo quản các dụng cụ điện cầm tay không sử dụng tránh xa tầm tay trẻ em và không cho phép những người không quen với dụng cụ điện cầm tay hoặc không biết những hướng dẫn này vận hành dụng cụ điện cầm tay.** Dụng cụ điện cầm tay sẽ rất nguy hiểm nếu người sử dụng không có kinh nghiệm.
- e) **Bảo trì dụng cụ điện cầm tay.** Kiểm tra các bộ phận chuyển động xem có bị lắp lệch hoặc kẹt không, các bộ phận có bị vỡ không và bất kỳ tình trạng nào khác có thể ảnh hưởng đến việc vận hành dụng cụ. Nếu dụng cụ điện cầm tay bị hỏng, hãy sửa chữa trước khi sử dụng. Nhiều tai nạn xảy ra do bảo trì không tốt các dụng cụ điện cầm tay.
- f) **Đảm bảo các dụng cụ cất luôn sắc và sạch sẽ.** Các dụng cụ cắt có cạnh sắc được bảo trì đúng cách sẽ ít bị kẹt cầm và dễ điều khiển hơn.
- g) **Sử dụng dụng cụ điện cầm tay, phụ tùng và các lưỡi dụng cụ theo các chỉ dẫn này, lưu ý đến các điều kiện làm việc và công việc sẽ thực hiện.** Sử dụng dụng cụ điện cầm tay sai mục đích có thể gây nguy hiểm.

## 5) BẢO TRÌ

- a) **Hãy để nhân viên bảo dưỡng có chuyên môn tiến hành bảo dưỡng dụng cụ điện cầm tay cho bạn và chỉ sử dụng các bộ phận thay thế chính hãng.** Điều này giúp đảm bảo duy trì mức độ an toàn của dụng cụ điện cầm tay đó.

## CÁC QUY TẮC AN TOÀN CỤ THỂ KHÁC

### Hướng dẫn an toàn trong mọi hoạt động

- a) **Dụng cụ điện cầm tay này được thiết kế để hoạt động như máy mài. Đọc kỹ mọi cảnh báo an toàn, hướng dẫn, minh họa và thông số kỹ thuật đi kèm theo dụng cụ điện cầm tay này.** Việc không tuân theo các hướng dẫn bên dưới có thể dẫn đến điện giật, cháy nổ và/hoặc thương tích nghiêm trọng.
- b) **Không nên dùng dụng cụ điện cầm tay này để thực hiện các thao tác như cắt rời, đánh bóng bằng cát, bằng chổi sắt hay bằng máy đánh bóng.** Các thao tác vận hành không được thiết kế cho dụng cụ điện cầm tay này có thể gây ra nguy hiểm và thương tích cá nhân.
- c) **Không sử dụng các phụ kiện không được thiết kế chuyên biệt và không được nhà sản xuất dụng cụ khuyến dùng.** Phụ kiện có thể gắn được vào dụng cụ điện cầm tay không có nghĩa là đảm bảo dụng cụ sẽ vận hành an toàn.
- d) **Tốc độ định mức của phụ kiện tối thiểu phải bằng với tốc độ tối đa được ghi trên dụng cụ điện cầm tay.** Các phụ kiện chạy nhanh hơn tốc độ định mức có thể bị vỡ và văng ra xa.
- e) **Đường kính ngoài và độ dày của phụ kiện phải nằm trong định mức công suất của dụng cụ điện cầm tay.** Định cỡ phụ kiện không chính xác có thể dẫn đến việc bảo vệ và điều khiển không còn phù hợp.
- f) **Các phụ kiện lắp bằng ren phải có ren khớp với ren trục chính của máy mài. Đối với các phụ kiện gắn bằng mặt bích, lỗ tâm của phụ kiện phải vừa với đường kính định vị của mặt bích.** Các phụ kiện không khớp với vòng gá của dụng cụ điện cầm tay sẽ gây mất cân bằng, rung quá mức và có thể gây mất kiểm soát.
- g) **Không sử dụng phụ kiện bị hỏng. Trước khi sử dụng phải kiểm tra phụ kiện như đĩa mài có bị mòn không, có bị nứt không, có mặt không, bạc lót có bị nứt, rách hoặc quá mòn không, đĩa đánh sét có bị lỏng hay dây có bị rạn nứt không. Nếu làm rơi dụng cụ**
- điện cầm tay, phải kiểm tra xem dụng cụ có bị hỏng hay không, rồi mới lắp lại phần phụ kiện chưa bị hỏng. Sau khi kiểm tra và lắp phụ kiện, bạn và những người không liên quan nên đứng xa mặt phẳng quay của phụ kiện và chạy dụng cụ điện cầm tay ở tốc độ không tải tối đa trong một phút.** Các phụ kiện bị hỏng thường vỡ thành từng mảnh trong thời gian chạy thử này.
- h) **Mang thiết bị bảo hộ cá nhân. Tùy thuộc vào ứng dụng, sử dụng tấm che mặt, kính bảo hộ hoặc kính an toàn. Nếu thích hợp, hãy đeo khẩu trang tránh bụi, bộ phận bảo vệ tai, găng tay và tất cả có khả năng chặn được những mảnh phôi mài nhỏ.** Dụng cụ bảo vệ mắt phải có khả năng cản các mảnh vụn văng ra được tạo ra từ nhiều thao tác khác nhau. Mặt nạ chống bụi hoặc khẩu trang phải có khả năng lọc các hạt được tạo ra từ quá trình vận hành. Phơi nhiễm kéo dài với tiếng ồn cường độ cao có thể dẫn đến mất thính lực.
- i) **Những người không liên quan phải cách xa khu vực làm việc ở khoảng cách an toàn. Bắt cứ người nào vào khu vực làm việc phải mang thiết bị bảo hộ cá nhân.** Mảnh vụn của phôi gia công hoặc phụ kiện vỡ có thể bắn ra và gây chấn thương trong khu vực vận hành.
- j) **Chỉ cầm dụng cụ điện cầm tay ở phần bề mặt tay cầm cách điện khi thực hiện thao tác mà phụ kiện cắt có thể tiếp xúc với hệ thống dây điện chím hoặc dây điện của chính dụng cụ.** Phụ kiện cắt tiếp xúc với dây "có điện" có thể khiến các bộ phận kim loại hở của dụng cụ điện cầm tay bị "nhiễm điện" và khiến người vận hành bị điện giật.
- k) **Đỡ dây điện ở vị trí cách xa phụ kiện đang quay.** Nếu bạn mất kiểm soát, dây điện có thể bị cắt hoặc bị vướng và cánh tay hoặc bàn tay của bạn có thể bị cuốn vào phụ kiện đang quay.
- l) **Tuyệt đối không đặt dụng cụ điện cầm tay xuống cho đến khi phụ kiện đã dừng quay hẳn.** Phụ kiện đang quay có thể găm vào bề mặt và kéo dụng cụ điện cầm tay ra khỏi tầm kiểm soát của bạn.
- m) **Không chạy dụng cụ điện cầm tay khi bạn đang cầm sát bên người.** Vô tình tiếp xúc với phụ kiện đang quay có thể làm quần áo bị vướng vào, kéo phụ kiện vào người.
- n) **Thường xuyên lau chùi các lỗ thông khí trong dụng cụ điện cầm tay.** Quạt của động cơ hút bụi vào bên trong vỏ dụng cụ và tích tụ quá nhiều bột kim loại sẽ có thể gây nguy hiểm về điện.

- o) **Không vận hành dụng cụ điện cầm tay gần các vật liệu dễ cháy.** Tia lửa có thể làm các vật liệu này bốc cháy.
- p) **Không sử dụng các phụ kiện cần có chất làm mát dạng lỏng.** Sử dụng nước hoặc chất làm mát dạng lỏng khác có thể dẫn đến điện giật hoặc sốc điện.

## HƯỚNG DẪN AN TOÀN THÊM TRONG MỌI HOẠT ĐỘNG

### Lực giật lại và các cảnh báo liên quan

Lực giật lại là phản lực bất ngờ của đĩa mài, tẩm đỡ sau, chổi than hoặc bất kỳ phụ kiện đang quay nào khác bị kẹt hoặc bị vướng. Khi bị vướng hoặc kẹt, phụ kiện đang quay nhanh sẽ bị kẹt và khiến ta không thể kiểm soát được máy bị buộc phải làm việc theo chiều ngược lại với chiều quay của phụ kiện tại điểm kẹt.

Ví dụ: nếu đĩa bị vướng hoặc bị kẹt vào phôi gia công, cạnh của đĩa đang vào kiểm ket có thể cắm sâu vào bề mặt của vật liệu khiến cho đĩa này lên hoặc văng ra. Máy mài có thể bắn vào hoặc bắn ra khỏi người vận hành, tùy thuộc vào phương chuyển động của đĩa tại thời điểm bị kẹt. Đĩa cũng có thể vỡ ra trong điều kiện này.

Đây ngược là hậu quả của việc dùng dụng cụ không đúng và/hoặc các quy trình hoặc do các điều kiện vận hành không chính xác và có thể phòng tránh được bằng cách đề phòng như sau:

- a) **Cầm chắc dụng cụ điện cầm tay, đồng thời chọn tư thế đứng và đặt tay để bạn có thể can thiệp lực giật lại. Luôn sử dụng tay cầm phụ, nếu có, để kiểm soát tối đa lực giật lại hoặc phản lực mô men xoắn trong quá trình khởi động.** Người vận hành có thể kiểm soát phản lực mô men xoắn hoặc lực giật lại nếu thực hiện các biện pháp phòng ngừa thích hợp.
- b) **Tuyệt đối không để tay gần phụ kiện đang quay.** Phụ kiện có thể đẩy ngược vào tay bạn.
- c) **Không đứng trong khu vực mà dụng cụ điện cầm tay có thể sẽ chuyển động tới khi xảy ra hiện tượng đẩy ngược.** Lực giật lại sẽ đẩy dụng cụ theo hướng ngược lại với hướng chuyển động của đĩa mài tại điểm bị phá.
- d) **Đặc biệt cẩn thận khi làm việc với các góc, cạnh sắc, v.v. Tránh làm này và làm kẹt phụ kiện.** Các góc, cạnh sắc hoặc gờ nổi có xu hướng làm kẹt phụ kiện đang quay và gây mất kiểm soát hoặc lực giật lại.
- e) **Không gắn lưỡi cưa gỗ dạng xích hoặc lưỡi cưa có răng.** Những lưỡi cưa này thường xuyên tạo ra lực giật lại và gây mất kiểm soát.

### Cảnh báo an toàn cụ thể khi mài

- a) **Chỉ sử dụng loại đĩa mài được khuyến dùng cho dụng cụ điện cầm tay của bạn và vành chắn riêng được thiết kế cho đĩa mài đã chọn.** Đĩa mài không được thiết kế cho dụng cụ điện cầm tay sẽ không được bảo vệ thích đáng và không an toàn.
- b) **Bề mặt mài của đĩa lõm tâm phải được gắn bên dưới mặt phẳng vành chắn.** Đĩa bị gắn sai, nhô ra khỏi mặt phẳng vành chắn sẽ không được bảo vệ đúng cách.
- c) **Vành chắn phải được gắn chắc chắn vào dụng cụ điện cầm tay và được định vị để đảm bảo an toàn đối đa, sao cho phần đĩa mài ngoài lộ ra ngoài hướng về người vận hành là nhỏ nhất.** Vành chắn giúp bảo vệ người vận hành khỏi mảnh vụn của đĩa mài bị vỡ và tránh vô tình tiếp xúc với đĩa mài và các tia lửa có thể làm cháy quần áo.
- d) **Chỉ sử dụng đĩa mài cho các công việc được khuyến nghị.** Ví dụ: không mài bằng cạnh của đĩa cắt. Đĩa cắt được sử dụng để cắt cạnh biên, lực bên tác dụng vào những đĩa cắt này có thể làm cho đĩa cắt bị vỡ.
- e) **Luôn sử dụng mặt bích đĩa mài còn tốt có kích thước và hình dạng phù hợp với đĩa mài đã chọn.** Mặt bích đĩa phù hợp sẽ đỡ được đĩa, do đó làm giảm nguy cơ vỡ đĩa. Mặt bích cho đĩa mài cắt có thể khác với mặt bích đĩa mài nhẵn.
- f) **Không sử dụng đĩa mài đã mòn từ các dụng cụ điện cầm tay lớn hơn.** Đĩa mài được sử dụng cho dụng cụ điện cầm tay lớn hơn không thích hợp với tốc độ cao hơn của dụng cụ nhỏ hơn và có thể bị vỡ.

### Các nguy cơ khác.

Kể cả việc áp dụng các quy tắc an toàn liên quan và sử dụng các thiết bị an toàn cũng không thể tránh được một số nguy cơ khác. Những nguy cơ này bao gồm:

- Suy giảm thính lực
- Nguy cơ thương tích cá nhân do mảnh nhỏ văng ra.
- Nguy cơ bỏng do phụ kiện nóng lên trong khi vận hành.
- Nguy cơ thương tích cá nhân do sử dụng thời gian dài.
- Nguy cơ bụi từ các chất độc hại.

## Ký hiệu trên dụng cụ

Các hình sau đây được hiển thị trên dụng cụ:



Hãy đọc sổ tay hướng dẫn trước khi sử dụng.



Đeo bộ phận bảo vệ tai.



Đeo kính bảo hộ.

### VỊ TRÍ MÃ NGÀY (HÌNH 1)

Mã ngày (n), bao gồm cả năm sản xuất, được in vào vỏ dụng cụ.

Ví dụ:

2017 XX XX

Năm sản xuất

## Thiết bị trong hộp

Hộp sản phẩm bao gồm:

1 Máy mài góc

1 Vành chắn

1 Bộ mặt bích

1 Cờ lê hai chân

1 Sổ tay hướng dẫn

- Kiểm tra xem dụng cụ, các thành phần hay phụ kiện có bị hư hỏng trong khi vận chuyển không.
- Dành thời gian đọc kỹ và hiểu rõ hướng dẫn trước khi vận hành.

## Mô tả (hình 1)



**CẢNH BÁO:** Tuyệt đối không sửa đổi dụng cụ điện cầm tay hay bất cứ phần nào của dụng cụ. Có thể dẫn đến hư hỏng hoặc thương tích cá nhân.

- Công tắc bật/tắt
- Khóa trục chính
- Vành chắn

### MỤC ĐÍCH SỬ DỤNG

Máy mài góc DW810 được thiết kế cho công việc mài chuyên nghiệp.

**KHÔNG** sử dụng đĩa mài nào ngoài đĩa lõm tâm và đĩa nhám xếp.

**KHÔNG** dùng trong điều kiện ẩm ướt hoặc có chất lỏng hoặc khí dễ cháy.

Các máy mài góc cỡ lớn này là các dụng cụ điện cầm tay chuyên nghiệp.

**KHÔNG** để trẻ em tiếp xúc với dụng cụ. Cần có sự giám sát khi người vận hành không đủ kinh nghiệm sử dụng thiết bị.

## An toàn điện

Động cơ điện chỉ được thiết kế cho một điện áp. Luôn kiểm tra xem nguồn điện có tương ứng với mức điện áp trên nhãn thông số định mức của máy hay không.



Dụng cụ DEWALT được cách điện hai lần theo EN 60745; do đó, không cần phải nối đất.

Nếu dây nguồn bị hỏng, phải thay dây bằng một dây được chuẩn bị riêng do cơ sở bảo dưỡng của DEWALT cung cấp.

## Sử dụng dây điện nối dài

Nếu cần dùng dây điện nối dài, hãy sử dụng dây nối dài 3 lõi được phê duyệt, phù hợp với công suất đầu vào của dụng cụ này (xem thông số kỹ thuật). Kích thước dây dẫn tối thiểu là 1,5 mm<sup>2</sup>; chiều dài tối đa là 30 m.

Khi sử dụng cuộn dây cáp, hãy luôn tháo hết dây cáp ra.

## LẮP RÁP VÀ ĐIỀU CHỈNH



**CẢNH BÁO:** Để giảm nguy cơ thương tích cá nhân nghiêm trọng, hãy tắt dụng cụ và ngắt kết nối nguồn trước khi thực hiện bất cứ điều chỉnh nào hay tháo/lắp đặt đồ gá hoặc phụ kiện. Trước khi kết nối lại dụng cụ, hãy ấn và nhả công tắc khởi động để đảm bảo dụng cụ đã tắt.

## Gắn và tháo vành chắn (hình 2)



**CẢNH BÁO:** Để giảm nguy cơ thương tích cá nhân nghiêm trọng, hãy tắt dụng cụ và ngắt kết nối nguồn trước khi thực hiện bất cứ điều chỉnh nào hay tháo/lắp đặt đồ gá hoặc phụ kiện. Trước khi kết nối lại dụng cụ, hãy ấn và nhả công tắc khởi động để đảm bảo dụng cụ đã tắt.

### CÁCH GẮN VÀNH CHẮN

- Đặt máy mài góc trên bàn, trục chính hướng lên.
- Áp vành chắn xuống (hình 2A).
- Đặt vành chắn giữa người bạn và phiê gia công.
- Siết chặt đinh vít giữ vòng đệm siết xung quanh cổ trục chính (hình 2B)

## CÁCH THẢO VÀNH CHẨN

1. Nới lỏng đỉnh vít giữ vòng đệm siết xung quanh cổ trục chính.
2. Nhấc vành chấn lên.



**CẢNH BÁO:** Tuyệt đối không sử dụng dụng cụ nếu không có vành chấn.

**LƯU Ý:** Vui lòng tham khảo **Bảng phụ kiện mài** ở cuối phần này để xem các phụ kiện khác có thể được sử dụng với các máy mài này.

## Lắp và tháo đĩa mài (hình 3, 4)



**CẢNH BÁO:** Không sử dụng đĩa bị hỏng.

1. Đặt dụng cụ trên bàn, vành chấn hướng lên.
2. Lắp mặt bích bên trong (d) chính xác trên trục chính (e) (hình 3).
3. Đặt đĩa (f) trên mặt bích (d). Khi lắp đĩa với phần giữa được nâng lên, đảm bảo phần giữa được nâng lên (g) đối diện với mặt bích (d).
4. Bật vít mặt bích bên ngoài (h) trên trục chính (e) (hình 4). Vòng trên mặt bích (h) phải hướng vào đĩa khi lắp đĩa mài.
5. Ấn khóa trục chính (b) và xoay trục chính (e) cho đến khi khóa vào vị trí.
6. Siết chặt mặt bích (h) bằng cờ lê hai chân kèm theo.
7. Nhả khóa trục chính.
8. Để tháo đĩa, hãy nới lỏng mặt bích (h) bằng cờ lê hai chân.

## Trước khi vận hành

- Lắp vành chấn và đĩa phù hợp. Không sử dụng đĩa bị mòn quá nhiều.
- Hãy đảm bảo gắn đúng mặt bích bên trong và bên ngoài.
- Đảm bảo đĩa xoay theo hướng mũi tên trên phụ kiện và dụng cụ.

## VẬN HÀNH

### Hướng dẫn sử dụng



**CẢNH BÁO:** Luôn tuân thủ hướng dẫn an toàn và quy định hiện hành.



**CẢNH BÁO:** Để giảm nguy cơ thương tích cá nhân nghiêm trọng, hãy tắt dụng cụ và ngắt kết nối nguồn trước khi thực hiện bất cứ điều chỉnh nào hay tháo/lắp đặt đồ gá hoặc phụ kiện. Trước khi kết nối lại dụng cụ, hãy ấn và nhả công tắc khởi động để đảm bảo dụng cụ đã tắt.



### CẢNH BÁO:

- Đảm bảo tất cả vật liệu đều ở trên mặt đất và được cố định đúng chỗ.
- Chỉ tác dụng một lực nhẹ lên dụng cụ. Không tác dụng lực bên lên đĩa.
- Tránh quá tải. Nếu dụng cụ nóng lên, hãy để dụng cụ chạy vài phút dưới điều kiện không tải.

## Bật và tắt công tắc (hình 1)



**CẢNH BÁO:** Trước khi sử dụng dụng cụ, hãy kiểm tra xem tay cầm đã được siết chặt hay chưa.

Để chạy dụng cụ, ấn công tắc (a) trước khi di chuyển dụng cụ hết về phía trước.

Để dừng dụng cụ, hãy đẩy công tắc (a) ngược lại.

Để dừng dụng cụ trong khi vận hành liên tục, hãy ấn vào phần sau của công tắc.



**CẢNH BÁO:** Không bật hay tắt công tắc khi đang có tải.

## Khóa trục chính (hình 1)

Khóa trục chính (b) được trang bị nhằm ngăn trục chính xoay khi lắp hoặc tháo đĩa. Chỉ vận hành khóa trục chính khi dụng cụ đã tắt, ngắt kết nối nguồn điện và dụng cụ dừng hoàn toàn.

**CHÚ Ý:** Để giảm nguy cơ làm hỏng dụng cụ, không gài khóa trục chính trong khi dụng cụ đang hoạt động. Việc dụng cụ bị hư hỏng và phụ kiện đi kèm có thể rơi ra sẽ dẫn đến thương tích.

Để gài khóa, hãy ấn nút khóa trục chính và xoay trục chính cho đến khi bạn không thể xoay thêm nữa.

## Sử dụng với kim loại

Khi dùng dụng cụ với kim loại, hãy đảm bảo đã lắp thiết bị chống dòng rò (RCD) để tránh các nguy cơ dòng rò từ mặt kim loại.

Nếu nguồn điện bị cắt do RCD, hãy mang dụng cụ đến đại lý sửa chữa được ủy quyền của DEWALT.



**CẢNH BÁO:** Trong điều kiện làm việc khó khăn, bụi dẫn điện có thể tích tụ bên trong vỏ máy khi làm việc với kim loại. Việc này có thể dẫn đến việc lớp cách điện bảo vệ trong máy bị giảm tác dụng kèm theo nguy cơ tiềm ẩn bị điện giật.

Để tránh tích tụ mặt kim loại bên trong máy, bạn nên vệ sinh khe thông gió hàng ngày. Xem **Bảo trì**.



## Sử dụng đĩa nhám xếp



**CẢNH BÁO:** Tích tụ bụi kim loại. Việc sử dụng đĩa nhám xếp quá nhiều trong thiết bị kim loại có thể làm tăng nguy cơ cơ điện giật. Nhằm giảm nguy cơ này, hãy lắp RCD trước khi sử dụng và vệ sinh khe thông gió hàng ngày bằng cách thổi khí nén vào các khe thông gió theo hướng dẫn bảo trì bên dưới.

## BẢO TRÌ

Dụng cụ điện cầm tay DEWALT của bạn được thiết kế để hoạt động trong thời gian dài và ít phải bảo trì nhất. Dụng cụ vận hành liên tục theo ý muốn tùy thuộc vào việc bảo quản dụng cụ đúng cách và vệ sinh thường xuyên.



**CẢNH BÁO:** Để giảm nguy cơ thương tích cá nhân nghiêm trọng, hãy tắt dụng cụ và ngắt kết nối nguồn trước khi thực hiện bất cứ điều chỉnh nào hay tháo/lắp đặt đồ gá hoặc phụ kiện. Trước khi kết nối lại dụng cụ, hãy ấn và nhả công tắc khởi động để đảm bảo dụng cụ đã tắt.

## Chổi than bị mòn

Động cơ sẽ tự động tắt cho biết chổi than đã bị mòn gần hết và dụng cụ cần bảo trì. Người dùng không thể bảo trì chổi than. Mang dụng cụ đến đại lý sửa chữa được ủy quyền của DEWALT.



## Tra dầu

Dụng cụ điện cầm tay của bạn không cần tra dầu thêm.



## Vệ sinh



**CẢNH BÁO:** Thổi bay bụi bẩn trên vỏ dụng cụ bằng không khí khô thường xuyên khi thấy bụi bẩn tích tụ trong và xung quanh lỗ thông khí. Đeo kính bảo hộ và mặt nạ chống bụi đã được phê duyệt khi thực hiện quy trình này.



**CẢNH BÁO:** Tuyệt đối không sử dụng dung môi hay các hóa chất độc hại khác để vệ sinh các bộ phận phi kim loại của thiết bị. Các hóa chất này có thể làm hỏng vật liệu được dùng trong các

bộ phận này. Chỉ dùng miếng vải thấm nước và xà phòng nhẹ. Tuyệt không để chất lỏng lọt vào bên trong dụng cụ; không bao giờ ngâm bất kỳ bộ phận nào của dụng cụ vào chất lỏng.

## Phụ kiện tùy chọn



**CẢNH BÁO:** Vì các phụ kiện, ngoài phụ kiện mà DeWALT CUNG CẤP, chưa được kiểm tra với thiết bị này, sử dụng các phụ kiện chưa được kiểm tra với dụng cụ này có thể nguy hiểm. Để giảm nguy cơ thương tích, chỉ nên sử dụng các phụ kiện mà DeWALT khuyến nghị với sản phẩm này.

Tham khảo đại lý của bạn để biết thêm thông tin về phụ kiện thích hợp.

## Bảo vệ môi trường



Thu gom riêng. Không được vứt bỏ các sản phẩm này cùng với rác thải sinh hoạt thông thường.



Nếu một ngày, bạn thấy cần phải thay thế sản phẩm DEWALT hoặc nếu bạn không sử dụng sản phẩm nữa, đừng thải bỏ sản phẩm cùng với rác thải sinh hoạt. Sản phẩm này phải được thu gom riêng.



Thu gom riêng các sản phẩm đã sử dụng và đóng gói sẽ cho phép tái chế và sử dụng lại vật liệu. Sử dụng lại vật liệu tái chế giúp ngăn chặn ô nhiễm môi trường và giảm nhu cầu vật liệu thô.

Luật lệ địa phương có thể quy định việc thu gom riêng các sản phẩm điện gia dụng, tại các bãi rác thải đô thị hoặc bởi nhà bán lẻ khi bạn mua sản phẩm mới.

DEWALT cung cấp các cơ sở thu gom và tái chế sản phẩm của DEWALT sau khi chúng không được sử dụng nữa. Để tận dụng dịch vụ này, vui lòng trả lại sản phẩm cho bất cứ đại lý sửa chữa được ủy quyền nào, những người sẽ thu gom sản phẩm thay chúng tôi.

Bạn có thể kiểm tra vị trí của đại lý sửa chữa được ủy quyền gần nhất bằng cách liên hệ với văn phòng DEWALT địa phương theo địa chỉ đã nêu trong hướng dẫn này. Ngoài ra, danh sách các đại lý sửa chữa được ủy quyền của DEWALT và toàn bộ chi tiết về bộ phận dịch vụ sau bán hàng cũng như các liên hệ được cung cấp trên Internet tại: [www.2helpU.com](http://www.2helpU.com).





