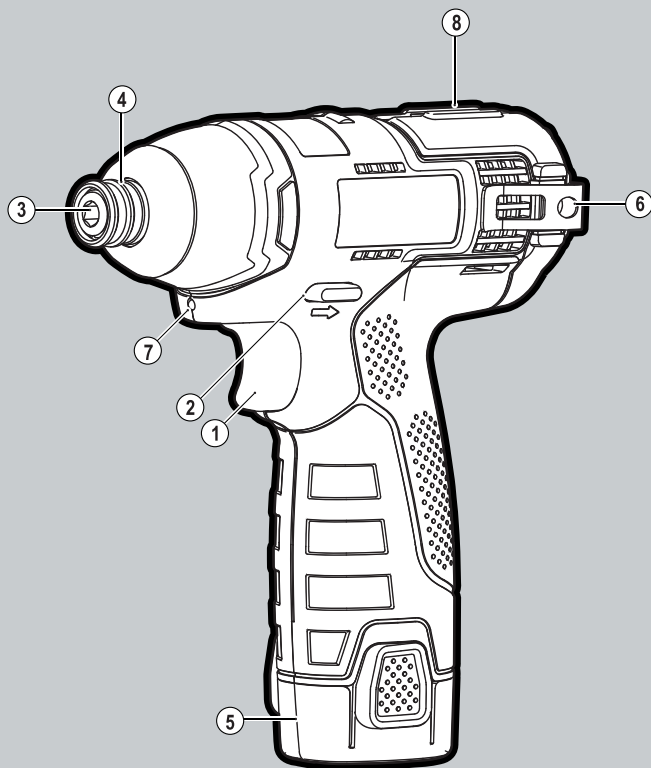


# STANLEY

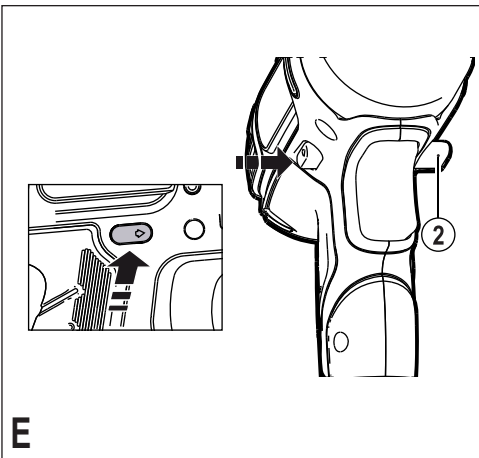
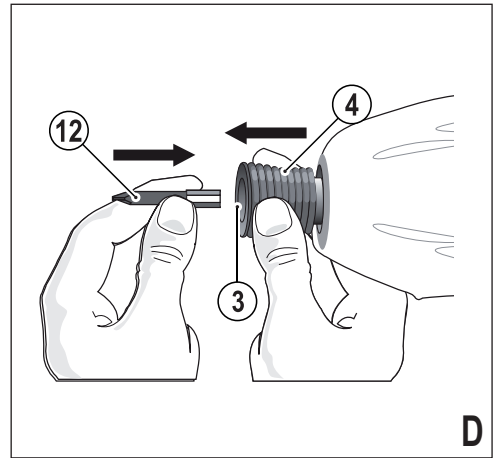
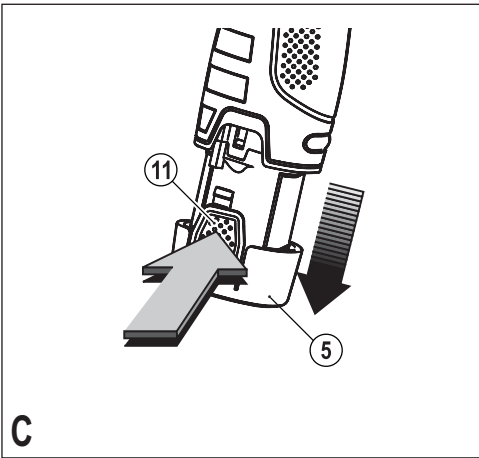
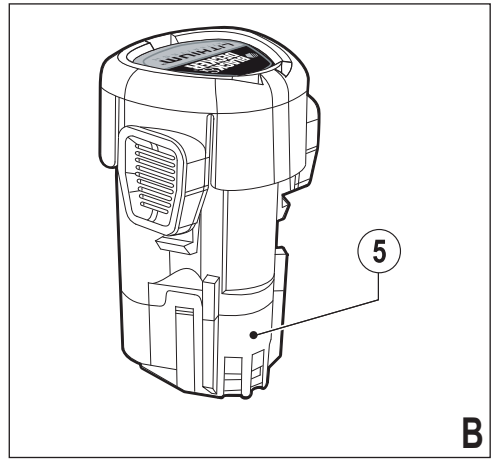
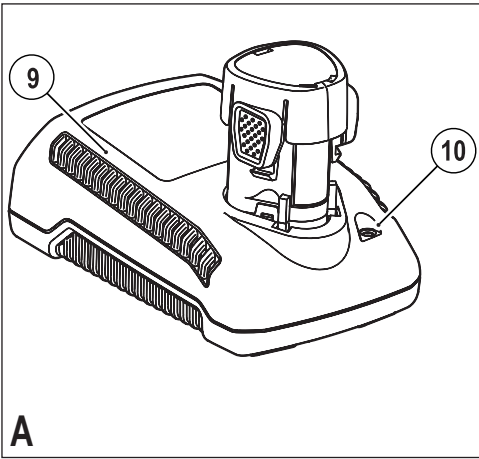
®



STDC041L

English  
简体中文

3  
8



## STDC041L 10.8V LI-ION IMPACT DRIVER

### Technical data

STDC041L		
Voltage	$V_{DC}$	10.8
No-load speed	/min	0-2400
Beats	/min	0-2500
Max. torque (PTI Rating)	Nm	107
Chuck capacity	mm	6(Hex)
Weight	kg	1.1
Charger		
Input Voltage	$V_{AC}$	220-240
Output Voltage	$V_{DC}$	10.8
Output Current(DC)	A	2
Approx. charge time	min	30
Battery		
90577102/90577131		
Voltage	$V_{DC}$	10.8
Capacity	Ah	1.3
Type		Li-Ion

### Intended use

Your Stanley impact wrench has been designed for screwdriving and nut setting applications.

### Safety instructions

#### General power tool safety warnings



**Warning!** Read all safety warnings and all instructions. Failure to follow the warnings and instructions listed below may result in electric shock, fire and/or serious injury.

#### Save all warnings and instructions for future reference.

The term "power tool" in all of the warnings listed below refers to your mains operated (corded) power tool or battery operated (cordless) power tool.

#### 1. Work area safety

- Keep work area clean and well lit.** Cluttered or dark areas invite accidents.
- Do not operate power tools in explosive atmospheres, such as in the presence of flammable liquids, gases or dust.** Power tools create sparks which may ignite the dust or fumes.
- Keep children and bystanders away while operating a power tool.** Distractions can cause you to lose control.

#### 2. Electrical safety

- Power tool plugs must match the outlet. Never modify the plug in any way. Do not use any adapter plugs with earthed (grounded) power tools.** Unmodified plugs and matching outlets will reduce risk of electric shock.

- Avoid body contact with earthed or grounded surfaces such as pipes, radiators, ranges and refrigerators.** There is an increased risk of electric shock if your body is earthed or grounded.
- Do not expose power tools to rain or wet conditions.** Water entering a power tool will increase the risk of electric shock.
- Do not abuse the cord. Never use the cord for carrying, pulling or unplugging the power tool. Keep cord away from heat, oil, sharp edges or moving parts.** Damaged or entangled cords increase the risk of electric shock.
- When operating a power tool outdoors, use an extension cord suitable for outdoor use.** Use of a cord suitable for outdoor use reduces the risk of electric shock.
- If operating a power tool in a damp location is unavoidable, use a residual current device (RCD) protected supply.** Use of an RCD reduces the risk of electric shock.

#### 3. Personal safety

- Stay alert, watch what you are doing and use common sense when operating a power tool. Do not use a power tool while you are tired or under the influence of drugs, alcohol or medication.** A moment of inattention while operating power tools may result in serious personal injury.
- Use personal protective equipment. Always wear eye protection.** Protective equipment such as dust mask, non-skid safety shoes, hard hat, or hearing protection used for appropriate conditions will reduce personal injuries.
- Prevent unintentional starting. Ensure the switch is in the off-position before connecting to power source and/or battery pack, picking up or carrying the tool.** Carrying power tools with your finger on the switch or energising power tools that have the switch on invites accidents.
- Remove any adjusting key or wrench before turning the power tool on.** A wrench or a key left attached to a rotating part of the power tool may result in personal injury.
- Do not overreach. Keep proper footing and balance at all times.** This enables better control of the power tool in unexpected situations.
- Dress properly. Do not wear loose clothing or jewellery. Keep your hair, clothing and gloves away from moving parts.** Loose clothes, jewellery or long hair can be caught in moving parts.
- If devices are provided for the connection of dust extraction and collection facilities, ensure these are connected and properly used.** Use of dust collection can reduce dust-related hazards.

#### 4. Power tool use and care

- a. **Do not force the power tool. Use the correct power tool for your application.** The correct power tool will do the job better and safer at the rate for which it was designed.
- b. **Do not use the power tool if the switch does not turn it on and off.** Any power tool that cannot be controlled with the switch is dangerous and must be repaired.
- c. **Disconnect the plug from the power source and/or the battery pack from the power tool before making any adjustments, changing accessories, or storing power tools.** Such preventive safety measures reduce the risk of starting the power tool accidentally.
- d. **Store idle power tools out of the reach of children and do not allow persons unfamiliar with the power tool or these instructions to operate the power tool.** Power tools are dangerous in the hands of untrained users.
- e. **Maintain power tools. Check for misalignment or binding of moving parts, breakage of parts and any other condition that may affect the power tools operation. If damaged, have the power tool repaired before use.** Many accidents are caused by poorly maintained power tools.
- f. **Keep cutting tools sharp and clean.** Properly maintained cutting tools with sharp cutting edges are less likely to bind and are easier to control.
- g. **Use the power tool, accessories and tool bits etc. in accordance with these instructions, taking into account the working conditions and the work to be performed.** Use of the power tool for operations different from those intended could result in a hazardous situation.

#### 5. Battery tool use and care

- a. **Recharge only with the charger specified by the manufacturer.** A charger that is suitable for one type of battery pack may create a risk of fire when used with another battery pack.
- b. **Use power tools only with specifically designated battery packs.** Use of any other battery packs may create a risk of injury and fire.
- c. **When battery pack is not in use, keep it away from other metal objects, like paper clips, coins, keys, nails, screws, or other small metal objects, that can make a connection from one terminal to another.** Shorting the battery terminals together may cause burns or a fire.
- d. **Under abusive conditions, liquid may be ejected from the battery; avoid contact. If contact accidentally occurs, flush with water. If liquid contacts eyes, additionally seek medical help.** Liquid ejected from the battery may cause irritation or burns.

#### 6. Service

- a. **Have your power tool serviced by a qualified repair person using only identical replacement parts.** This will ensure that the safety of the power tool is maintained.

#### Additional power tool safety warnings



**Warning!** Additional safety warnings for impact wrenches

- ◆ **Wear ear protectors with impact drills.** Exposure to noise can cause hearing loss.
- ◆ **Use auxiliary handles supplied with the tool.** Loss of control can cause personal injury.
- ◆ **Hold power tool by insulated gripping surfaces when performing an operation where the fastener may contact hidden wiring.** Fasteners contacting a "live" wire may make exposed metal parts of the power tool "live" and could give the operator an electric shock.
- ◆ **Use clamps or another practical way to secure and support the workpiece to a stable platform.** Holding the work by hand or against your body leaves it unstable and may lead to loss of control.
- ◆ This tool is not intended for use by persons (including children) with reduced physical, sensory or mental capabilities, or lack of experience and knowledge, unless they have been given supervision or instruction concerning use of the appliance by a person responsible for their safety. Children should be supervised to ensure that they do not play with the appliance.
- ◆ The intended use is described in this instruction manual. The use of any accessory or attachment or performance of any operation with this tool other than those recommended in this instruction manual may present a risk of personal injury and/or damage to property.



**Warning!** impact wrenches are not torque wrenches. Do not use this tool for tightening fasteners to specified torques. An independent, calibrated torque measurement device such as a torque wrench should be used when under tightened or over tightened fasteners can lead to the failure of the joint.

#### Safety of others

- ◆ This appliance is not intended for use by persons (including children) with reduced physical, sensory or mental capabilities, or lack of experience and knowledge, unless they have been given supervision or instruction concerning use of the appliance by a person responsible for their safety.
- ◆ Children should be supervised to ensure that they do not play with the appliance.

- ◆ Impairment of hearing.
- ◆ Health hazards caused by breathing dust developed when using your tool (example:- working with wood, especially oak, beech and MDF.)

### Labels on tool

The following symbols are shown on the tool:



**Warning!** To reduce the risk of injury, the user must read the instruction manual.

### Additional safety instructions for batteries and chargers

#### Batteries

- ◆ Never attempt to open for any reason.
- ◆ Do not expose the battery to water.
- ◆ Do not store in locations where the temperature may exceed 40 °C.
- ◆ Charge only at ambient temperatures between 10 °C and 40 °C.
- ◆ Charge only using the charger provided with the tool.
- ◆ When disposing of batteries, follow the instructions given in the section "Protecting the environment".

Do not attempt to charge damaged batteries.



#### Chargers

- ◆ Use your Stanley charger only to charge the battery in the tool with which it was supplied. Other batteries could burst, causing personal injury and damage.
- ◆ Never attempt to charge non-rechargeable batteries.
- ◆ Have defective cords replaced immediately.
- ◆ Do not expose the charger to water.
- ◆ Do not open the charger.
- ◆ Do not probe the charger.



The charger is intended for indoor use only.



Read the instruction manual before use.

#### Electrical safety



Your charger is double insulated; therefore no earth wire is required. Always check that the mains voltage corresponds to the voltage on the rating plate. Never attempt to replace the charger unit with a regular mains plug.

- ◆ If the supply cord is damaged, it must be replaced by the manufacturer or an authorised Black & Decker Service Centre in order to avoid a hazard.

### Features

This tool includes some or all of the following features.

1. Variable speed switch
2. Forward/reverse slider
3. Chuck
4. Chuck collar
5. Battery
6. Belt clip
7. LED work light
8. Magnetic bit holder

#### Fig. A

9. Charger
10. Charging indicator

### Assembly

**Warning!** Before assembly, remove the battery from the tool.

#### Fitting and removing the battery (fig. C)

- ◆ To fit the battery (5), line it up with the receptacle on the tool. Slide the battery into the receptacle and push until the battery snaps into place.
- ◆ To remove the battery, push the release buttons (11) while at the same time pulling the battery out of the receptacle.

#### Fitting and removing a screwdriver bit or socket(fig. D)

This tool is fitted with a quick release chuck to allow for an easy exchange of bits.

**Warning!** Make certain the tool is locked to prevent switch actuation before installing or removing accessories.

- ◆ Lock the tool by setting the forward/reverse slider (2) to the centre position.
- ◆ Pull and hold the chuck collar (4) away from the front of the tool.
- ◆ Insert the bit shaft (12) into the chuck (3).
- ◆ Release the collar. The accessory is locked in place.

**Note!** To remove the bit/socket repeat the above steps.

### Use

**Warning!** Let the tool work at its own pace. Do not overload.

#### Charging the battery (fig. A)

The battery needs to be charged before first use and whenever it fails to produce sufficient power on jobs that were easily done before. The battery may become warm while charging; this is normal and does not indicate a problem.

**Warning!** Do not charge the battery at ambient temperatures below 10 °C or above 40 °C. Recommended charging temperature: approx. 24 °C.

**Note: The charger will not charge a battery if the cell temperature is below approximately 10 °C or above 40 °C. The battery should be left in the charger and the charger will begin to charge automatically when the cell temperature warms up or cools down.**

- ◆ To charge the battery (5), insert it into the charger (9). The battery will only fit into the charger in one way. Do not force. Be sure that the battery is fully seated in the charger.
- ◆ Plug in the charger and switch on at the mains.

The charging indicator (10) will flash green continuously (slowly).

The charge is complete when the charging indicator (10) lights green continuously. The charger and the battery can be left connected indefinitely with the LED illuminated. The LED will change to flashing green (charging) state as the charger occasionally tops up the battery charge. The charging indicator (10) will be lit as long as the battery is connected to the plugged-in charger.

- ◆ Charge discharged batteries within 1 week. Battery life will be greatly diminished if stored in a discharged state.

### Leaving the battery in the charger

The charger and battery pack can be left connected with the LED glowing indefinitely. The charger will keep the battery pack fresh and fully charged.

### Charger diagnostics

If the charger detects a weak or damaged battery, the charging indicator (10) will flash red at a fast rate. Proceed as follows:

- ◆ Re-insert the battery (5).
- ◆ If the charging indicators continues flashing red at a fast rate, use a different battery to determine if the charging process works properly.
- ◆ If the replaced battery charges correctly, the original battery is defective and should be returned to a service centre for recycling.
- ◆ If the new battery gives the same indication as the original battery, take the charger to be tested at an authorised service centre.

**Note: It may take as long as 60 minutes to determine that the battery is defective. If the battery is too hot or too cold, the LED will alternately blink red, fast and slow, one flash at each speed and repeat.**

### Selecting the direction of rotation (fig. E)

For tightening, use forward (clockwise) rotation. For loosening, use reverse (counterclockwise) rotation.

- ◆ To select forward rotation, push the forward/reverse slider (2) to the left.
- ◆ To select reverse rotation, push the forward/reverse slider to the right.
- ◆ To lock the tool, set the forward/reverse slider into the centre position.

### Screwdriving / nut setting

- ◆ Select the appropriate bit / socket for the screw or nut to be driven.
- ◆ Select forward or reverse rotation as described above.
- ◆ Hold the tool in line with the fastener.
- ◆ After tightening, check torque with a torque wrench.

### LED work light

The LED work light (7) is activated automatically when the trigger is depressed. The LED work light will illuminate when the trigger is partially depressed, before the unit begins running.

### Hints for optimum use

#### Screwdriving

- ◆ Always use the correct type and size of screwdriver bit.
- ◆ If screws are difficult to tighten, try applying a small amount of washing liquid or soap as a lubricant.
- ◆ Always hold the tool and screwdriver bit in a straight line with the screw.

### Maintenance

Your Stanley tool has been designed to operate over a long period of time with a minimum of maintenance. Continuous satisfactory operation depends upon proper tool care and regular cleaning.

Your charger does not require any maintenance apart from regular cleaning.

**Warning!** Before performing any maintenance on the tool, remove the battery from the tool. Unplug the charger before cleaning it.

- ◆ Regularly clean the ventilation slots in your tool and charger using a soft brush or dry cloth.
- ◆ Regularly clean the motor housing using a damp cloth. Do not use any abrasive or solvent-based cleaner.
- ◆ Regularly open the chuck and tap it to remove any dust from the interior.

## Protecting the environment



Separate collection. This product must not be disposed of with normal household waste.

Should you find one day that your Stanley product needs replacement, or if it is of no further use to you, do not dispose of it with household waste. Make this product available for separate collection.



Separate collection of used products and packaging allows materials to be recycled and used again. Re-use of recycled materials helps prevent environmental pollution and reduces the demand for raw materials.

## Batteries



Run the battery down completely, then remove it from the tool.

- ◆ NiCd, NiMH and Li-Ion batteries are recyclable. Take them to any authorised repair agent or a local recycling station.

## Service Information

Stanley offers a full network of company-owned and authorized service locations throughout Asia. All Stanley Service Centers are staffed with trained personnel to provide customers with efficient and reliable power tool service. Whether you need technical advice, repair, or genuine factory replacement parts, contact the Stanley location nearest to you.

## Notes

- Stanley's policy is one of continuous improvement to our products and, as such, we reserve the right to change product specifications without prior notice.
- Standard equipment and accessories may vary by country.
- Product specifications may differ by country.
- Complete product range may not be available in all countries. Contact your local Stanley dealers for range availability.

## STDC041L

### 10.8伏锂电池冲击起子

#### 技术参数

STDC041L		
电压	伏 (直流)	10.8
空载速度	转/分	0-2400
击打次数	转/分	0-2500
最大扭矩	牛米	107
(PTI额定)		
夹头尺寸	毫米	6(Hex)
重量	千克	1.1
充电器		
输入电压	伏 (交流)	220
输出电压	伏 (直流)	10.8
输出电流 (直流)	安培	2
充满电大约时间	分钟	30
电池		
90577102/90577131		
电压	伏 (直流)	10.8
容量	安培小时	1.3
类型		锂离子

#### 设计用途

本史丹利冲击扳手的设计用途是拧螺丝和螺母。

#### 安全须知

##### 电动工具安全通则



**警告！阅读说明。**没有按照以下列举的说明而使用或操作将导致触电、着火和/或严重伤害。

**请妥善保管所有警示与须知，以备将来参考使用。**

在所有以下列举的警告中术语“电动工具”指用电驱动（有线）电动工具或电池驱动（无线）电动工具。

##### 1. 工作场地

- 保持工作场地清洁和明亮。**混乱和黑暗的场地会引发事故。
- 不要在易燃易爆环境，如有易燃液体、气体或粉尘的环境下操作电动工具。**电动工具产生的火花会点燃粉尘或气体。
- 让儿童和旁观者离开后操纵电动工具。**分心会使你放松控制。

##### 2. 电气安全

- 电动工具插头必须与插座相配。**不能以任何方式改装插头。需接地的电动工具不能使用任何转换插头。未经改装的插头和相配的插座将减少触电危险。
- 避免人体接触接地表面，如管道、散热片和冰箱。**如果你身体接地会增加触电危险。
- 不得将电动工具暴露在雨中或潮湿环境中。**水进入电动工具将增加触电危险。
- 不得滥用电线。绝不用电线搬运、拉动电动工具或拔出其插头。**让电动工具远离热、油、锐边或运动部件。受损或缠绕的电线会增加触电危险。
- 当在户外使用电动工具时，使用适合户外使用的外接电线。**适合户外使用的电线将减少触电危险。
- 如果在潮湿的环境中使用电动工具，请使用漏电保护装置（RCD）。**使用此装置可降低触电危险。

##### 3. 人身安全

- 保持警觉，当操作电动工具时关注所从事的操作并保持清醒。**切勿在有疲倦、药物、酒精或治疗反应下操作电动工具。在操作电动工具期间精力分散会导致严重人身伤害。
- 使用安全装置。始终配戴护目镜。**安全装置，诸如适当条件下的防尘面具、防滑安全鞋、安全帽、听力防护等装置能减少人身伤害。
- 避免突然起动。**确保开关在插入插头时处于关断位置。手指放在已接通电源的开关上或开关处于接通时插入头可能会导致危险。
- 在电动工具接通之前，拿掉所有调节钥匙或扳手。**遗留在电动工具旋转零件上的扳手或钥匙会导致人身伤害。
- 手不要伸得太长。**时刻注意脚下和身体平衡。这样在意外情况下能很好地控制电动工具。
- 着装适当。不要穿宽松衣服或佩带饰品。**让你的头发、衣服和袖子远离运动部件。宽松衣服、佩饰或长发可能会卷入运动部件。
- 如果提供了与排屑装置、集尘设备连接用的装置，则确保他们连接完好且使用得当。**使用这些装置可减少碎屑引起的危险。



#### 4. 电动工具使用和注意事项

- 不要滥用电动工具，根据用途使用适当的电动工具。** 选用适当的设计额值的电动工具会使你工作有效、更安全。
- 如果开关不能接通或关断工具电源，则不能使用该电动工具。** 不能用开关来控制的电动工具是危险的且必须进行修理。
- 在进行任何调节、更换附件或贮存电动工具之前，必须从电源上拔掉插头和 / 或将电池盒脱开电源。** 这种防护性措施将减少电动工具突然起动的危险。
- 将闲置电动工具贮存在儿童所及范围之外，并且不要让不熟悉电动工具或对这些说明不了解的人操作电动工具。** 电动工具在未经训练的用户手中是危险的。
- 保养电动工具。** 检查运动部件的安装偏差或卡住、零件破损情况和影响电动工具运行的其它条件。如有损坏，电动工具必须在使用前修理好。许多事故由维护不良的电动工具引发。
- 保持切削刀具锋利和清洁。** 保养良好的有锋利切削刃的刀具不易卡住而且容易控制。
- 按照使用说明书以及打算使用的电动工具的特殊类型要求的方式，考虑作业条件和进行的作业来使用电动工具、附件和工具的刀头等。** 电动工具用作那些与要求不符的操作可能会导致危险情况。

#### 5. 电池式工具使用和注意事项

- 确保开关在插入电池盒前处于断开状态。** 将电池盒插入到开关状态为接通的电动工具上会引发事故。
- 只用制造商规定的充电器充电。** 将适用于某种电池盒的充电器用到其他电池盒时会发生着火危险。
- 只使用配有特制电池盒的电动工具。** 使用其他电池盒会发生损坏和着火危险。
- 当电池盒不用时，将它远离其他金属物体，例如回形针、硬币、钥匙、钉子、螺钉或其他小金属物体，以防一端与另一端连接。** 电池端部短路会引起燃烧或者火灾。
- 在滥用条件下，液体会从电池中溅出；避免接触。如果无意间碰到了，用水冲洗。** 如果液体碰到了眼睛，还要寻求医疗帮助。从电池中溅出的液体会发生腐蚀或燃烧。

#### 6. 维修

- 让专业维修人员使用特定备件维修电动工具。这将保证所维修的电动工具安全。

### 电动工具的附加安全守则



**注意！** 请遵守冲击扳手的附加安全守则。

- ◆ **使用冲击钻时，请佩戴听力保护器。** 暴露在噪音中会损伤听力。
- ◆ **请使用随工具提供的辅助手柄。** 工具失控会导致人身伤害。
- ◆ **紧固件可能接触隐藏的导线时，请仅握持绝缘的把手表面。** 如果紧固件接触“带电”导线，工具暴露金属部件的表面会“带电”，并且导致操作人员触电。
- ◆ **请使用夹钳或其它切实可行的方法来固定和支撑工件，将其固定到稳定的工作台上。** 用手抓住工字钢件或用身体抵住工件并不稳定，可能会导致工件失控。
- ◆ **除非其安全负责人进行工具使用的监督或指导，否则体力，感知能力或心智不足的人（包括儿童），以及缺乏经验与相关知识的人不得使用本工具。** 必须看管儿童，勿使其拿本工具玩耍。
- ◆ **本指导手册已经说明了预定用途，如果配件或附件的使用，本工具的操作超出本指导手册建议的范围，则可能出现人身伤害和/或财产损失风险。**



**警告！** 冲击扳手并非扭力扳手，本工具不建议使用固定有扭力需求的固定件。如果固定件固定过紧或过松都会导致失效。

#### 他人安全

- ◆ **除非其安全负责人进行工具使用的监督或指导，否则体力、感知能力或心智不足的人（包括儿童）不得使用本工具。**
- ◆ **必须看管儿童，勿使其拿本工具玩耍。**
- ◆ **听力损伤。**
- ◆ **吸入工具使用过程中产生的粉尘后，导致健康风险（例如：使用木材，特别是橡木、山毛榉和中密度纤维板时）。**

## 工具上的标志

本工具有如下图形标志：



**警告！**为降低伤害风险，使用前务必阅读使用手册。

## 电池组和充电器安全附则

### 电池

- ◆ 禁止以任何理由试图打开电池。
- ◆ 禁止与水接触。
- ◆ 禁止存放在温度可能超过40°C的地点。
- ◆ 仅在10到40°C的环境温度范围内充电。
- ◆ 仅使用随工具配备的充电器。
- ◆ 丢弃电池时，请遵守“保护环境”章节中的规定。



禁止给损坏的电池充电。

### 充电器

- ◆ 本史丹利充电器仅限于随电器/工具提供的电池充电。如用于其它电池，会导致电池爆炸，造成人身伤害与损坏。
- ◆ 严禁给非充电电池充电。
- ◆ 有问题的电源线应立即更换。
- ◆ 禁止暴露在水中。
- ◆ 请勿打开充电器。
- ◆ 请勿使用探针等查探充电器。



本充电座仅限室内使用。



使用工具前，请仔细阅读使用手册。

## 电气安全



本工具采用双重绝缘；因此不需要地线。请务必检查电源是否与铭牌上的电压一致。禁止使用普通插头代替充电器单元。

- ◆ 如果电源线损坏，必须由厂商或百得授权服务中心更换，以排除隐患。

## 部件名称

本工具包含以下部分或全部部件：

1. 调速开关
2. 正转/倒转拨杆
3. 工具夹头
4. 工具夹头调节环
5. 电池
6. 皮带夹
7. LED工作指示灯
8. 磁性夹头

### 图A

9. 充电器
10. 充电指示灯

## 组装

**警告！**组装之前，请把电池从工具上取下。

### 电池安装与拆卸步骤（图C）

- ◆ 要安装电池（5），将其对准工具上的电池插槽。然后，滑动电池进入插槽，向里推直至电池咬合到位。
- ◆ 要取下电池，按下释放按钮（11），同时把电池从插槽中拉出。

### 安装，拆卸起子头或套筒（图D）

本工具配有快速释放夹头，便于更换工具头。

**警告！**安装或拆卸配件之前，请确保锁定工具，防止开关启动。

- ◆ 把正转/倒转拨杆（2）设定到中心位置，即可锁定工具。
- ◆ 把夹头环（4），拉离工具前部并握住。
- ◆ 把工具头的柄（12）插入夹头（3）中。
- ◆ 释放夹头环，把配件锁定到位。

**注意！**要取下起子头/套筒，请重复上述工具。

## 使用步骤

**警告！**让电动工具在自有节奏下工作，请勿过载。

## 给电池充电（图A）

电池在首次使用前须充电；一旦不能产生充足电力来完成此前轻易完成的工作，亦需充电。充电过程中，电池会变热，这是正常现象，并非故障。

**警告！**请勿在环境温度低于10°C或大于40°C时给电池充电。建议充电温度为大约24°C。

**注意：当电池温度低于大约10°C或高于40°C时，充电器不能给电池充电。此时，应把电池留在充电器中，当锂电池温度回暖或冷却下来后，充电器会自动开始充电。**

- ◆ 要给电池（5）充电，将其插入充电器（9）中。电池只能以一种方式插入充电器。切勿强行插入。请确保电池与充电器完全配合到位。
- ◆ 插上充电器插头并打开电源开关。

充电指示灯（10）会连续闪烁绿光（慢速）。

充电指示灯（10）连续发绿光时，表明充电已经完成。充电器和电池可以无限期连接在一起，同时LED亮。充电器偶然给电池加满电时，LED会转变为绿色闪光（充电）状态。只要电池与插好插头的充电器保持连接，充电指示灯（10）就会发光。

- ◆ 电池放电后1个星期内应充电。如果存放放电后的电池，电池寿命会大大缩短。

## 把电池留在充电器中

充电器和电池组可以保持无期限连接，此时LED发光；充电器会保持电池充电并充满。

## 充电器故障诊断

**如果充电器检测到电池已经老化或损坏，充电指示灯（10）会快速闪烁红光。此时，请按如下步骤操作：**

- ◆ 重新插入电池（5）。
- ◆ 如果充电指示灯继续快速闪烁红光，请使用另一块电池来确定充电过程是否正常。
- ◆ 如果另一电池可以正常充电，则表明原电池失效，应送交维修中心回收。
- ◆ 如果另一电池遇到原电池同样的问题，请把充电器送往授权维修中心检测。

**注意：确定电池是否失效需要的时间可能长达60分钟。如果电池过热或过冷，LED灯会快、慢交替闪红光，快、慢闪光各闪一次，如此往复。**

## 选择旋转方向（图E）

当钻孔和紧固螺丝时，采用正转（顺时针）。松开螺丝或撤出卡住的钻头时，使用反转（逆时针）。

- ◆ 要选择正转，把正转/反转拨杆（2）推向左边。
- ◆ 要选择反转，把正转/反转拨杆推向右边。
- ◆ 要锁定工具，把正转/反转拨杆置于中间位置。

## 拧螺丝/螺母设定

- ◆ 根据螺钉或螺母选择合适的起子头/套筒。
- ◆ 根据上述步骤选择正转或倒转。
- ◆ 握住工具，与紧固件成直线。
- ◆ 紧固后，使用力矩扳手检查力矩。

## LED工作指示灯

当触发开关被按下时，LED工作指示灯（7）会自动启动。当触发开关被部分按下时，在工具开始旋转之前，LED工作指示灯亮。

## 最佳操作提示

### 拧螺丝

- ◆ 请始终使用正确类型和尺寸的起子头。
- ◆ 如果螺丝难于紧固，可使用少量的洗涤剂或肥皂做润滑剂。
- ◆ 请始终保持工具和起子头与螺丝在同一一直线。

## 维护

本史丹利电动工具设计精良，可以长期运作，而只需极少的维护。要取得连续的令人满意的工作效果，需要您做合适的保养和定期的清洁。

除了定期清洁外，本充电器无须其它维护。

**警告！**维护工具前，必须从工具上取下电池；清洁充电器前，请拔下插头。

- ◆ 定期使用软刷或干布清洁工具的通风槽。
- ◆ 定期使用湿布清洁马达外壳，但不得使用任何研磨性或溶剂型清洁剂。
- ◆ 定期打开并轻拍夹头，清除内部灰尘。

## 保护环境



个别收集。本产品必须与一般家庭废物分开处理。

如果您发现您的史丹利产品需要进行替换，或您已经不再需要使用这些产品，请不要将它们与家庭废物一起处理。务必将本产品送往个别收集处。



个别收集用过的产品和包装允许材料再循环利用。重新使用循环利用的材料有助于防止环境污染，并减少原始材料的需求。

## 电池组



把电池组电力完全耗尽，然后从工具上取下。

- ◆ 镍镉和镍氢电池是可以回收的。把它们送往经销商或者本地的回收站。

## 服务资讯

史丹利完善的自有和授权服务网络遍布全亚洲。所有史丹利服务中心的员工都经过专门培训，可以为客户提供高效、可靠的电动工具服务。无论您需要技术咨询、维修或是正宗的原装配件，请联系离您最近的史丹利服务站。

## 备注

- ◆ 史丹利的政策之一就是持续改善我们的产品，因此，我们保留随时变更产品规格的权利，恕不另行通知。
- ◆ 标准设备和配件可能会根据不同的国家而有所不同。
- ◆ 产品规格可能会根据不同的国家而有所不同。
- ◆ 并非所有国家都有提供完整的产品系列。如需各产品系列的供应情，请联络您当地的史丹利代理商。

制造厂：深圳市宝安区石岩捷和百得制造厂

地址：广东省深圳市宝安区石岩街道水田社区捷和工业城

