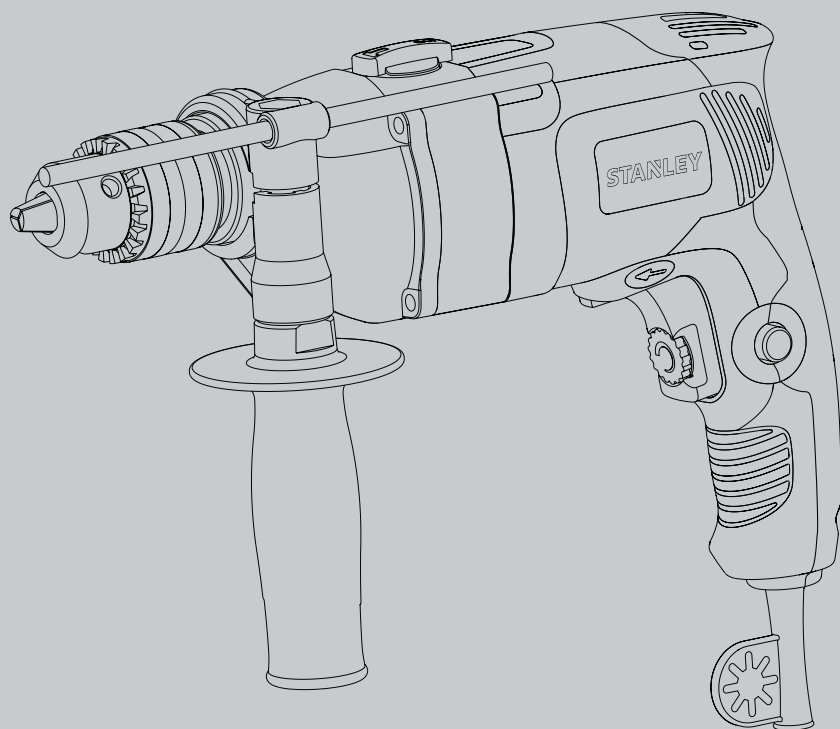
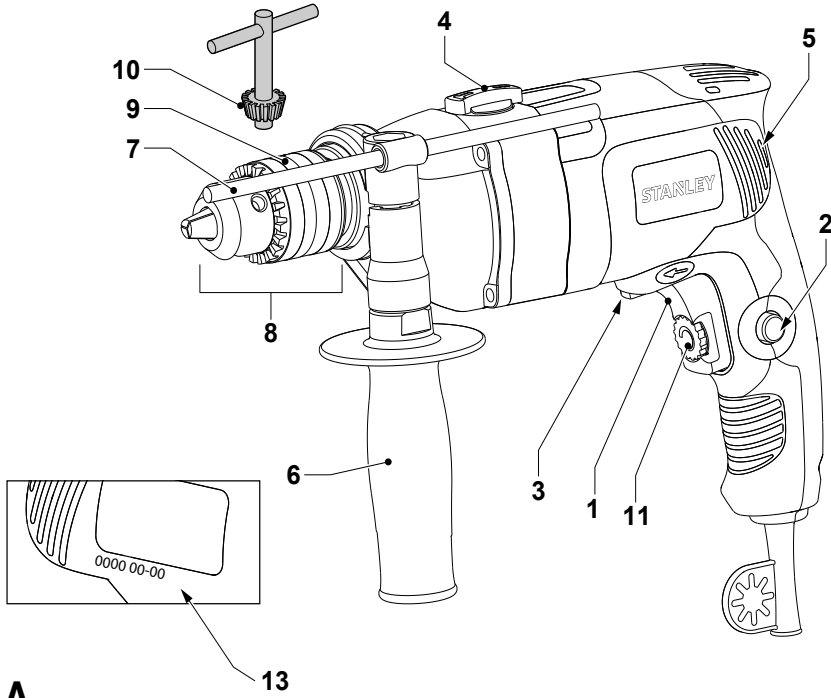


STANLEY

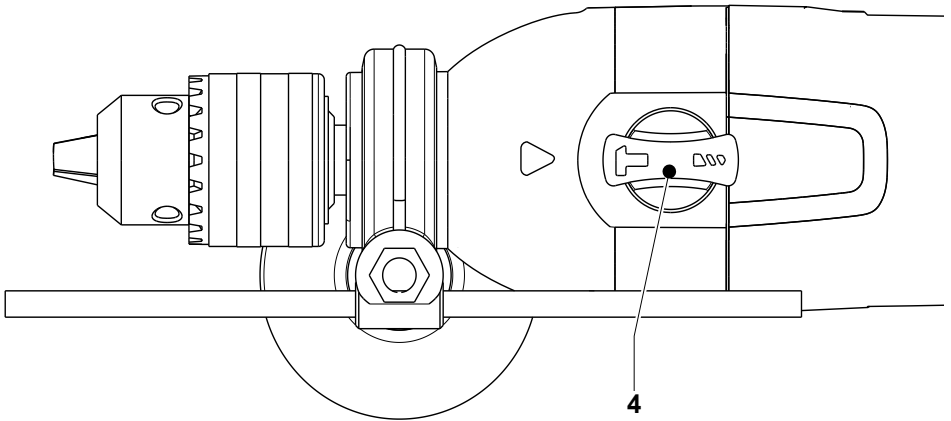


STDH7213

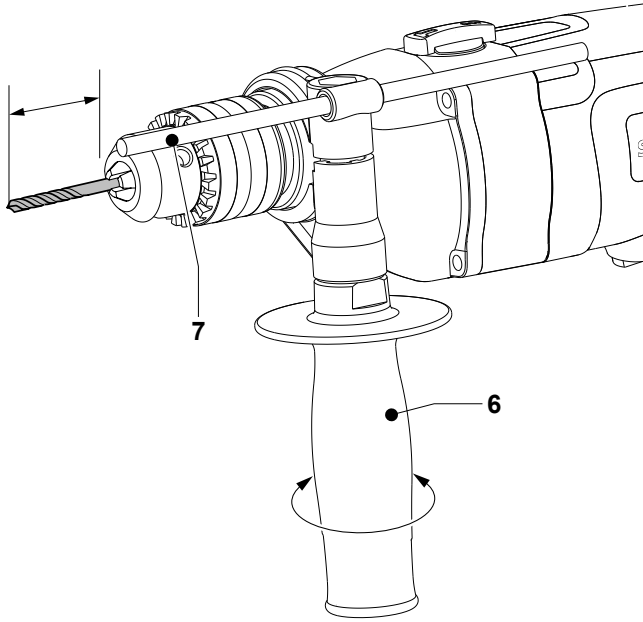
ENGLISH 4
简体中文 10



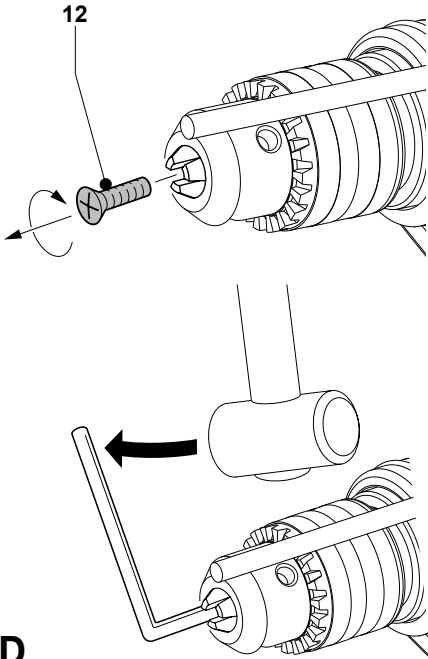
A



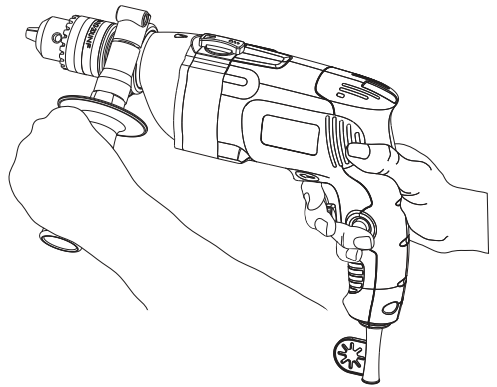
B



C



D



E

STDH7213 13mm Impact Drill

Technical data

Impact Drill	STDH7213	
Voltage	V	220
Frequency	Hz	50
Power input	W	720
No-load speed	r/min	0-3000
Impact rate	IPM	54000
Reverse/Forward rotation		Yes
Chuck capacity	mm	1.5-13
Max capacity	mm	
- Concrete		16
- Metal		13
-Wood		32
Weight	kg	2.5

Intended use

Your Stanley impact drill has been designed for drilling in wood, metal and concrete. This tool is intended for consumer use only.

General Power tool Safety Warnings



Warning! Read all safety warnings and all instructions. Failure to follow the warnings and instructions may result in electric shock, fire and/or serious injury.

Save all warnings and instructions for future reference. The term "power tool" in all of the warnings listed below refers to your mains operated (corded) power tool or battery operated (cordless) power tool.

1. Work area safety

- Keep work area clean and well lit.** Cluttered or dark areas invite accidents.
- Do not operate power tools in explosive atmospheres, such as in the presence of flammable liquids, gases or dust.** Power tools create sparks which may ignite the dust or fumes.
- Keep children and bystanders away while operating a power tool.** Distractions can cause

you to lose control.

2. Electrical safety

- Power tool plugs must match the outlet. Never modify the plug in any way. Do not use any adapter plugs with earthed (grounded) power tools.** Unmodified plugs and matching outlets will reduce risk of electric shock.
- Avoid body contact with earthed or grounded surfaces such as pipes, radiators, ranges and refrigerators.** There is an increased risk of electric shock if your body is earthed or grounded.
- Do not expose power tools to rain or wet conditions.** Water entering a power tool will increase the risk of electric shock.
- Do not abuse the cord. Never use the cord for carrying, pulling or unplugging the power tool. Keep cord away from heat, oil, sharp edges or moving parts.** Damaged or entangled cords increase the risk of electric shock.
- When operating a power tool outdoors, use an extension cord suitable for outdoor use.** Use of a cord suitable for outdoor use reduces the risk of electric shock.
- If operating a power tool in a damp location is unavoidable, use a residual current device (RCD) protected supply.** Use of an RCD reduces the risk of electric shock.

3. Personal safety

- Stay alert, watch what you are doing and use common sense when operating a power tool. Do not use a power tool while you are tired or under the influence of drugs, alcohol or medication.** A moment of inattention while operating power tools may result in serious personal injury.
- Use personal protective equipment. Always wear eye protection.** Protective equipment such as dust mask, non-skid safety shoes, hard hat, or hearing protection used for appropriate conditions will reduce personal injuries.
- Prevent unintentional starting. Ensure the switch is in the off-position before connecting to power source and/or battery pack, picking up or carrying the tool.** Carrying power tools with your finger on the switch or energising power tools that have the switch on invites accidents.
- Remove any adjusting key or wrench before turning the power tool on.** A wrench or a key left attached to a rotating part of the power tool may result in

- personal injury.
- e. **Do not overreach. Keep proper footing and balance at all times.** This enables better control of the power tool in unexpected situations.
 - f. **Dress properly. Do not wear loose clothing or jewellery. Keep your hair, clothing and gloves away from moving parts.** Loose clothes, jewellery or long hair can be caught in moving parts.
 - g. **If devices are provided for the connection of dust extraction and collection facilities, ensure these are connected and properly used.** Use of dust collection can reduce dust-related hazards.
4. **Power tool use and care**
 - a. **Do not force the power tool. Use the correct power tool for your application.** The correct power tool will do the job better and safer at the rate for which it was designed.
 - b. **Do not use the power tool if the switch does not turn it on and off.** Any power tool that cannot be controlled with the switch is dangerous and must be repaired.
 - c. **Disconnect the plug from the power source and/or the battery pack from the power tool before making any adjustments, changing accessories, or storing power tools.** Such preventive safety measures reduce the risk of starting the power tool accidentally.
 - d. **Store idle power tools out of the reach of children and do not allow persons unfamiliar with the power tool or these instructions to operate the power tool.** Power tools are dangerous in the hands of untrained users.
 - e. **Maintain power tools. Check for misalignment or binding of moving parts, breakage of parts and any other condition that may affect the power tools operation. If damaged, have the power tool repaired before use.** Many accidents are caused by poorly maintained power tools.
 - f. **Keep cutting tools sharp and clean.** Properly maintained cutting tools with sharp cutting edges are less likely to bind and are easier to control.
 - g. **Use the power tool, accessories and tool bits etc. in accordance with these instructions, taking into account the working conditions and the work to be performed.** Use of the power tool for operations different from those intended could result in a hazardous situation.

5. Service

- a. **Have your power tool serviced by a qualified repair person using only identical replacement parts.** This will ensure that the safety of the power tool is maintained.

Additional Power Tool Safety Warnings



Warning! Additional safety warnings for drills and impact drills

Drill Safety Warnings

- ◆ **Wear ear protectors when impact drilling.**
Exposure to noise can cause hearing loss.
- ◆ **Use auxiliary handle(s), if supplied with the tool.** Loss of control can cause personal injury.
- ◆ **Hold power tool by insulated gripping surfaces when performing an operation where the cutting accessory may contact hidden wiring or its own cord.** Cutting accessory contacting a "live" wire may make exposed metal parts of the power tool "live" and could give the operator an electric shock.
- ◆ Use clamps or another practical way to secure and support the workpiece to a stable platform. Holding the work by hand or against your body leaves it unstable and may lead to loss of control.
- ◆ Before drilling into walls, floors or ceilings, check for the location of wiring and pipes.
- ◆ Avoid touching the tip of a drill bit just after drilling, as it may be hot.
- ◆ This tool is not intended for use by persons (including children) with reduced physical, sensory or mental capabilities, or lack of experience and knowledge, unless they have been given supervision or instruction concerning use of the appliance by a person responsible for their safety. Children should be supervised to ensure that they do not play with the appliance.
- ◆ The intended use is described in this instruction manual. The use of any accessory or attachment or performance of any operation with this tool other than those recommended in this instruction manual may present a risk of personal injury and/or damage to property.

Safety of others

- ◆ This appliance is not intended for use by persons (including children) with reduced physical, sensory or mental capabilities, or lack of experience and knowledge, unless they have been given supervision or instruction concerning use of the appliance by a person responsible for their safety.

- ◆ Children should be supervised to ensure that they do not play with the appliance.

Residual risks

Additional residual risks may arise when using the tool which may not be included in the enclosed safety warnings. These risks can arise from misuse, prolonged use etc. Even with the application of the relevant safety regulations and the implementation of safety devices, certain residual risks can not be avoided. These include:

- ◆ Injuries caused by touching any rotating/moving parts.
- ◆ Injuries caused when changing any parts, blades or accessories.
- ◆ Injuries caused by prolonged use of a tool. When using any tool for prolonged periods ensure you take regular breaks.
- ◆ Impairment of hearing.
- ◆ Health hazards caused by breathing dust developed when using your tool (example:- working with wood, especially oak, beech and MDF.)

Label on the tool

The following symbols are shown on the tool:



Warning! In order to reduce the risk of injury, the user must read the manual.

Date code position (fig. A)

The date code (13) is printed on the housing of the tool, which also contains the year of manufacture. For example: 2014 XX JN
Year of manufacture

Electrical safety



Double insulation measures are taken in this power tool, so no grounding is needed. Please check whether the voltage of power supplied is consistent with the voltage on the nameplate or not.

- ◆ If the wire is damaged, it should be replaced by the manufacturer or a service center authorized by Black & Decker, to avoid danger.

Using an extension cable

If an extension cable is required, use an approved extension cable suitable for the power input of this tool (see technical data). The minimum conductor size is 1.5 mm².

When using a cable reel, always unwind the cable completely.

Also refer to the table below.

Conductor size (mm ²)		Cable rating (Amperes)					
0.75		6					
1.00		10					
1.50		15					
2.50		20					
4.00		25					
Cable length (m)							
		7.5	15	25	30	45	60
Voltage	Amperes	Cable rating (Amperes)					
115	0 - 2.0	6	6	6	6	6	10
	2.1 - 3.4	6	6	6	6	15	15
	3.5 - 5.0	6	6	10	15	20	20
	5.1 - 7.0	10	10	15	20	20	25
	7.1 - 12.0	15	15	20	25	25	-
230	0 - 2.0	20	20	25	-	-	-
	2.1 - 3.4	6	6	6	6	6	6
	3.5 - 5.0	6	6	6	6	10	15
	5.1 - 7.0	10	10	10	10	15	15
	7.1 - 12.0	15	15	15	15	20	20
	12.1 - 20.0	20	20	20	20	25	-

Package contents

The package contains:

- 1 Impact drill
- 1 Side handle
- 1 Depth gauge
- 1 Chuck key
- 1 Instruction manual
- ◆ Check for damage to the tool, parts or accessories which may have occurred during transport.
- ◆ Take the time to thoroughly read and understand this manual prior to operation.

Description (fig. A)

- 1 Variable speed switch
- 2 Lock-on button
- 3 Forward/reverse slider
- 4 Mode selector
- 5 Ventilation slots
- 6 Side handle
- 7 Depth adjustment rod
- 8 Keyed chuck
- 9 Sleeve
- 10 Chuck key
- 11.Speed dail

Assembly

Warning! Before assembly, please ensure that the

power tool is powered off and the power plug of the tool is unplugged from the power source.

Selecting the operating mode (fig. B)

The tool can be used in two operating modes:

1 Rotary drilling:
for steel, wood and plastics.

T Impact drilling:
simultaneous rotating and impacting for
concrete and masonry drilling operations.

- ◆ Select the required operating mode by rotating the mode selector (4) to the required position.


Inserting and removing a bit (fig. A)

Keyed chuck

- ◆ Open the chuck by turning the sleeve (9) counterclockwise and insert the bit shank.
- ◆ Put the chuck key (10) into each hole in the side of the chuck and turn clockwise until tight.
- ◆ To remove the bit, proceed in reverse order.

Fitting the side handle (fig. A)

The side handle (6) can be fitted to suit both RH- and LH-users.


-  Always use the drill with the side handle properly assembled.
- ◆ Loosen the side handle.
- ◆ For RH-users, slide the side handle clamp over the collar behind the chuck, handle at the left.
- ◆ For LH-users, slide the side handle clamp over the collar behind the chuck, handle at the right.
- ◆ Rotate the side handle to the desired position and tighten the handle.

Setting the drilling depth (fig. C)

- ◆ Insert the required drill bit into the chuck.
- ◆ Slacken the side handle (6).
- ◆ Fit the depth adjustment rod (7) through the hole in the side handle clamp.
- ◆ Adjust the drilling depth as shown.
- ◆ Tighten the side handle.

Forward/reverse slider (fig. A)

- ◆ To select forward or reverse rotation, use the forward/reverse-switch (3) (see arrow on tool).

 Always wait until the motor has come to a complete standstill before changing the direction of rotation.

Chuck removal (fig. D)

- ◆ Open the chuck jaws as far as possible
- ◆ Insert a screwdriver into the chuck and remove the chuck retaining screw (12) by turning clockwise.
- ◆ Tighten an Allen key into the chuck and strike it with a hammer as shown.

Instructions for use

- ◆ Always observe the safety instructions and applicable regulations.
- ◆ Be aware of the location of pipework and wiring.
- ◆ Apply only a gentle pressure to the tool. Excessive force does not speed up drilling but decreases tool performance and may shorten tool life.
- ◆ Wear ear protectors with impact drills. Exposure to noise can cause hearing loss.
- ◆ Use auxiliary handles supplied with the tool. Loss of control can cause personal injury.
- ◆ Hold power tool by insulated gripping surfaces, when performing an operation where the cutting accessory may contact hidden wiring or its own cord. Cutting accessory contacting a "live" wire may make exposed metal parts of the power tool "live" and shock the operator.
- ◆ If operating a power tool in a damp location is unavoidable, use a residual current device (RCD) protected supply. Use of an RCD reduces the risk of electric shock.

Prior to operation

- ◆ Insert the appropriate bit.
- ◆ Mark the spot where the hole is to be drilled.

Proper Hand Position (fig. A, E)



WARNING: To reduce the risk of serious personal injury, **ALWAYS** use proper hand position as shown.



WARNING: To reduce the risk of serious personal injury, **ALWAYS** hold securely in anticipation of a sudden reaction.

Proper hand position requires one hand on the side handle (6), with the other hand on the main handle.

Switching on and off

- ◆ To switch the tool on, press the variable speed switch (1). The tool speed depends on how far you press the switch.
- ◆ For continuous operation, press the lock-on but-

ton (2) and release the variable speed switch.

This option is available only at full speed.

- ◆ To switch the tool off, release the variable speed switch. To switch the tool off when in continuous operation, press the variable speed switch once more and release it.
- ◆ Based on the different applications, turn around the speed dial (11) to control the maximum speed.

Drilling in metal

Start drilling with slow speed and increase to full power while applying firm pressure on the tool.

A smooth even flow of metal chips indicates the proper drilling rate. Use a cutting lubricant when drilling metals. The exceptions are cast iron and brass which should be drilled dry.

NOTE: Large [5/16" (8 mm) to 1/2" (13 mm)] holes in steel can be made easier if a pilot hole [5/32" (4 mm) to 3/16" (5 mm)] is drilled first.

Drilling in wood

Start drilling with slow speed and increase to full power while applying firm pressure on the tool.

Holes in wood can be made with the same twist drills used for metal. These bits may overheat unless pulled out frequently to clear chips from the flutes. Work that is apt to splinter should be backed up with a block of wood.

Drilling in masonry

When drilling in masonry, use carbide-tipped bits rated for Impact drilling and be certain that the bits are sharp. Use a constant and firm force on the tool to drill most effectively. A smooth, even flow of dust indicates the proper drilling rate.

Screwdriving

- ◆ Select forward or reverse rotation.

Impact drilling (fig. A)

- ◆ Select the Impact mode.
- ◆ Press the switch (1).

Rotary drilling (fig. A)

- ◆ Select the rotary drilling mode.
 - ◆ Proceed as described for Impact drilling.
- Consult your dealer for further information on the appropriate accessories.

Accessories

The performance of an electric tool depends on its accessories. Stanley accessories are designed according to high quality standards, to enhance the performance of electric tool. The use of these accessories can help you conveniently operate the tool.

Maintenance

The Stanley cord / cordless appliance / tools are of sophisticated design, can be used for a long time, and only little maintenance is needed. To obtain consistent satisfactory use, proper maintenance and regular cleaning of the tools are necessary.

Warning! Before performing any maintenance work on the cord / cordless electric tools, the following points must be implemented:

- ◆ Switch off the power of the equipment / tools and pull off the plug;
- ◆ If the equipment / tools are equipped with independent battery pack, please turn off the power and remove the battery pack from the equipment / tools.
- ◆ If the equipment / tools are equipped with an integrated battery, please run out the battery, before turning off its power.
- ◆ Before the cleaning, unplug the charger plug from the power source. In addition, except the regular cleaning on your charger, no other maintenance is needed.
- ◆ Regularly use the soft brush or dry cloth to clean the ventilation slot of the equipment / tools / charger.
- ◆ Regularly use a damp cloth to clean the motor housing. Please do not use any abrasive cleaning agents or solvent-based cleansing agents.
- ◆ Regularly open the clamping chuck and tap it gently to remove any internal dust (after installation).



Cleaning



Warning! Once the visible dust build-up is found at and/or around the ventilating ports, immediately flush the dust and powder within the host shell with clean dry air. To perform this procedure, wear the approved safety equipment and dust mask.



Warning! It is strictly forbidden to clean the non-metallic parts of the tool with the solvents or other irritant chemicals. These chemicals may weaken the materials of these components. Use a cloth moistened with a mild soapy water to clean it. Do not let any substance permeate into the tool and do not immerse any part of the tool into a liquid.

Protect the environment



Separate collection. This product may not be disposed together with the ordinary household waste.

If you find that your Stanley products are needed to be replaced or you will no longer need to use these products, please do not put them together with the household waste. Please place them separately to recycle.



Separate collection of the used products and packaging materials allow the materials to be recycled and reused.

Reuse of the recycled materials helps to prevent the pollution of the environment, and reduces the demand for raw materials. Local regulations may provide separate collection of the electrical products from the household, at the municipal waste sites or by the retailer when you purchase a new product.

Service Information

Stanley offers a full network of company-owned and authorized service locations throughout Asia. All Stanley Service Centers are staffed with trained personnel to provide customers with efficient and reliable power tool service. Whether you need technical advice, repair, or genuine factory replacement parts, contact the Stanley location nearest to you.

Notes

- ◆ Stanley's policy is one of continuous improvement to our products and, as such, we reserve the right to change product specifications without prior notice.
- ◆ Standard equipment and accessories may vary by country.
- ◆ Product specifications may differ by country.
- ◆ Complete product range may not be available in all countries. Contact your local Stanley dealers for range availability.

STDH7213 冲击钻

技术数据

冲击钻	STDH7213	
电压	V	220
赫兹	Hz	50
输入功率	W	720
空载转速	r/min	0-3000
冲击率	IPM	54000
正反转	是	
夹头尺寸	mm	1.5 - 13
最大钻孔能力	mm	
- 混凝土		16
- 金属		13
- 木材		32
重量	kg	2.5

设计用途

Stanley冲击钻设计用于在木材、金属和混凝土上钻孔。本工具仅供专业人士使用。

电动工具通用安全警告



警告！ 阅读所有警告和所有说明。不遵照以下警告和说明会导致电击、着火和/或严重伤害。

保存所有警告和说明书以备查阅。

在所有下列的警告中术语“电动工具”指市电驱动（有线）电动工具或电池驱动（无线）电动工具。

1. 工作场地的安全

- 保持工作场地清洁和明亮。** 混乱和黑暗的场地会引发事故。
- 不要在易爆环境，如有易燃液体、气体或粉尘的环境下操作电动工具。** 电动工具产生的火花会点燃粉尘或气体。
- 让儿童和旁观者离开后操作电动工具。** 注意力不集中会使你失去对工具的控制。

2. 电气安全

- 电动工具插头必须与插座相配。绝不能以任何方式改装插头。** 需接地的电动工具不能使用任何转换插头。

未经改装的插头和相配的插座将减少电击危险。

- 避免人体接触接地表面，如管道、散热片和冰箱。** 如果你身体接地会增加电击危险。
- 不得将电动工具暴露在雨中或潮湿环境中。** 水进入电动工具将增加电击危险。
- 不得滥用电线。** 绝不用电线搬运、拉动电动工具或拔出其插头。使电线远离热源、油、锐边或运动部件。受损或缠绕的软线会增加电击危险。
- 当在户外使用电动工具时，使用适合户外使用的外接软线。** 适合户外使用的软线将减少电击危险。
- 如果在潮湿环境下操作电动工具是不可避免的，应使用剩余电流动作保护器（RCD）。** 使用RCD可减小电击危险。

3. 人身安全

- 保持警觉，当操作电动工具时关注所从事的操作并保持清醒。** 当你感到疲倦，或在有药物、酒精或治疗反应时，不要操作电动工具。在操作电动工具时瞬间的疏忽会导致严重人身伤害。
 - 使用个人防护装置。始终佩戴护目镜。** 安全装置，诸如适当条件下使用防全面具、防滑安全鞋、安全帽、听力防护等装置能减少人身伤害。
 - 防止意外启动。** 确保开关在连接电源和/或电池组、拿起或搬运工具时处于关断位置。手指放在已接通电源的开关上或开关处于接通时插入插头可能会导致危险。
 - 在电动工具接通之前，拿掉所有调节钥匙或扳手。** 遗留在电动工具旋转零件上的扳手或钥匙会导致人身伤害。
 - 手不要伸展得太长。时刻注意立足点和身体平衡。** 这样在意外情况下能很好地控制电动工具。
 - 着装适当。不要穿宽松衣服或佩戴饰品。** 让你的衣服、手套和头发远离运动部件。宽松衣服、佩饰或长发可能会卷入运动部件中。
 - 如果提供了与排屑、集尘设备连接用的装置，要确保他们连接完好且使用得当。** 使用这些装置可减少尘屑引起的危险。
- #### 4. 电动工具使用和注意事项
- 不要滥用电动工具，根据用途使用适当的电动工具。** 选用适当设计的电动工具会使你工作更有效、更安全。
 - 如果开关不能接通或关断工具电源，则不能使用该电动工具。** 不能用开关来控制的电动工具是危

险的且必须进行修理。

- c. 在进行任何调节、更换附件或贮存电动工具之前，必须从电源上拔掉插头和/或使电池组与工具脱开。这种防护性措施将减少工具意外启动的危险。
- d. 将闲置不用的电动工具贮存在儿童所及范围之外，并且不要让不熟悉电动工具或对这些说明不了解的人操作电动工具。电动工具在未经培训的用户手中是危险的。
- e. 保养电动工具。检查运动件是否调整到位或卡住，检查零件破损情况和影响电动工具运行的其他状况。如有损坏，电动工具应在使用前修理好。许多事故由维护不良的电动工具引发。
- f. 保持切削刀具锋利和清洁。保养良好的有锋利切削刃的刀具不易卡住而且容易控制。
- g. 按照使用说明书，考虑作业条件和进行的作业来使用电动工具、附件和工具的刀头等。将电动工具用于那些与其用途不符的操作可能会导致危险。

5. 维修

- a. 将你的电动工具送交专业维修人员，使用同样的备件进行修理。这样将确保所维修的电动工具的安全性。

电动工具附加安全警告



警告！ 电钻和冲击钻附加安全

- ◆ 使用冲击电钻时要戴好耳罩。暴露在噪声中会引起听力损伤。
- ◆ 使用随身工具提供的辅助手柄。操作失手会引起人身伤害。
- ◆ 当在钻削附件可能触及暗线或其自身软线之处进行操作时，要通过绝缘握持面来握持工具。钻削附件碰到带电导线会使工具外露的金属零件带电从而使操作者受到电击。
- ◆ 使用夹具或采取其他可行的方法，将工件固定、支撑到稳定的平台上。手持或用身体顶住工件都是不稳定的，会导致操作失控。
- ◆ 在墙上、地板或天花板上钻孔之前，请检查电线和管道位置
- ◆ 不要在钻孔后立刻碰触可能还发热的钻头尖端。
- ◆ 本工具不适合体力、感觉或智力不足，或者缺乏经验及知识的人员（包括儿童）使用，除非负责他们安全的人员已经为他们提供关于使用此设备的监督或指示。应看管好儿童，以确保他们不将

此设备当做玩具来玩。

- ◆ 本使用手册描述了工具的设计用途。使用非本使用手册所建议的任何其他附件或配件，或者使用本工具执行非手册建议的任何其他操作，都可能存在人身伤害和/或财产损失的危险。

他人安全

- ◆ 本设备不适合体力、感官或智力不足以及缺乏经验、知识的人员（包括儿童），除非负责他们安全的人员已经为他们提供关于使用此设备的监督或指示。
- ◆ 应看管好儿童，以确保他们不将此设备当做玩具来玩。

其他风险

使用工具时，可能出现本安全警示之外的其他剩余风险。这些风险可能来自使用不当，使用时间过长等。尽管遵守了相关的安全法规并采用了安全装备，某些风险仍然是无法避免的。这些风险包括：

- ◆ 接触旋转/运动部件时所导致的伤害风险。
- ◆ 更换部件、锯片或附件时所导致的伤害风险。
- ◆ 长期使用工具所导致的伤害风险。长期使用任何工具时，均应定期休息。
- ◆ 听力损伤。
- ◆ 吸入工具使用过程中产生的粉尘导致的健康危害（例如，锯切木材，特别是橡木、山毛榉和中密度纤维板时）。

工具上的标签

工具上显示了下列符号：



警告！ 为降低伤害风险，用户必须阅读使用手册。

日期码位置（图A）

日期码(13)印在工具外壳上，其中还包含制造年份。

例如： 2014 XX JN
制造年份

电气安全



本工具采用双重绝缘，因此无需接地线。请务必检查电源电压是否与铭牌上的电压一致。

- ◆ 如果电源线损坏，必须由制造商或史丹利授权服务中心更换，以避免发生危险。

使用延长线缆

如果需使用延长线缆，请使用符合该工具电源输入规格(参见技术资料)经核准的延长线缆。导线最小横

截面积为1.5平方毫米。使用线缆卷筒时，应将线缆完全松开。

请参考以下表格。

线缆横截面积 (平方毫米)		线缆额定电流 (安培)					
0.75		6					
1.00		10					
1.50		15					
2.50		20					
4.00		25					
		线缆长度 (米)					
		7.5	15	25	30	45	60
电压	安培	线缆额定电流 (安培)					
110	0-2.0	6	6	6	6	6	10
	2.1-3.4	6	6	6	6	15	15
	3.5-5.0	6	6	10	15	20	20
	5.1-7.0	10	10	15	20	20	25
	7.1-12.0	15	15	20	25	25	-
230	0-2.0	6	6	6	6	6	6
	2.1-3.4	6	6	6	6	6	6
	3.5-5.0	6	6	6	6	10	15
	5.1-7.0	10	10	10	10	15	15
	7.1-12.0	15	15	15	15	20	20
	12.1-20.0	20	20	20	20	25	-

包装内容

包装内包括：

冲击钻一台

侧手柄一个

深度杆一把

夹头钥匙一把

使用手册一本

- ◆ 检查工具、部件或配件是否有在运输过程中可能出现的损坏情况。
- ◆ 操作前通读并完全了解本手册的指示。

图A描述

1 电子无极调速开关

2 锁定按钮

3 正反转开关

4 模式转换器

5 通风口

6 侧手柄

7 深度杆


8 钻夹头

9 套筒

10 夹头钥匙

11.速度拨盘

装配与调整

 **装配和调整前，切记将工具电线拔下。**

设定工作模式

本工具可以用于两种工作模式。



电钻模式：

该模式用于钢材、木材和塑料。



冲击钻模式：

该模式同时进行旋转和冲击，用于混凝土以及砖石钻孔等操作。

- ◆ 将模式转换器（4）拨到所需要的位置，以选择所要求的操作模式。

装卸钻头（图A）

有匙夹头

- ◆ 逆时针方向旋转夹头（9），并装入钻头柄。
- ◆ 将夹头钥匙（10）插入夹头侧面的孔中，并顺时针旋转直到旋紧。
- ◆ 如要取出钻头，按上述步骤反序操作。

安装侧手柄（图A）

侧手柄可按用户需要安装，以配合右手或左手的使用习惯。



工作时，切记将侧手柄适当地装配好。

- ◆ 拧松侧手柄。
- ◆ 对于使用右手用户，将侧手柄把夹具绕过夹头后面的轴环、使手柄位于左侧。
- ◆ 对于使用左手用户，将侧手柄把夹具绕过夹头后面的轴环，使手柄位于右侧。
- ◆ 将侧手柄旋转到想要的位置，并将其拧紧。

设定钻孔深度

- ◆ 将所要求的钻头装入夹头。
- ◆ 拧松侧手柄（6）。
- ◆ 将深度杆（7）穿过侧手柄夹具中的孔。
- ◆ 如图所示调节钻孔深度。
- ◆ 拧紧侧手柄。

正反转开关（图A）

- ◆ 要选择正或反旋转，请使用正反转开关（3）如工具上的箭头所示。



切记要等到马达完全停止后，方可改变旋转方向。

夹头的拆卸 (图D)

- ◆ 将夹头按逆时针方向转到最大位置。
- ◆ 将螺丝刀伸入夹头，顺时针旋转，取出固定夹头的螺丝 (12)。
- ◆ 用六角扳手的短端紧固到夹头内，用软锤按视图方向敲打手柄，直到夹头松开。

操作前

- ◆ 装入适当的钻头
- ◆ 在要钻孔的位置上做好标记

正确的手持方式 (图A、E)



警告! 为降低严重的人身伤害风险，请务必使用正确的手持方式，如图所示。



警告! 为降低严重的人身伤害风险，请务必紧握工具以防止意外事件。

- ◆ 正确的手持方式要求一只手握住侧手柄 (6)，另一只手则握住主手柄。

启动与关闭

- ◆ 要开启工具电源，请按下变速开关 (1)。工具转速取决于您按下开关的程度。
- ◆ 要使工具连续运转，请按下锁定按钮 (2)，然后松开变速开关。此选项只在全速运作时可用。
- ◆ 要关闭工具电源，请松开变速开关。要在连续运转时关闭工具电源，请再次按下变速开关然后松开。
- ◆ 根据不同的应用情况，转动速度旋钮 (11) 控制最大速度。

在金属材料上钻孔

开始钻孔时，采用较低速度；对工具施加稳固压力时，请增至全功率。如果金属屑平滑、均匀地流出，则表明钻孔速度适当。在金属上钻孔时，请使用切削润滑剂。但铸铁和黄铜材料例外，应干钻。

注：在钢材上钻大孔[5/16" (8 毫米) 到 1/2" (13 毫米)]时，如果首先钻一个先导孔[5/32" (4 毫米) 到 3/16" (5 毫米)]，则会比较容易进行。

在木材上钻孔

开始钻孔时，采用较低速度；对工具施加稳固压力时，请增至全功率。木材钻孔可以使用和钢材钻孔一样的麻花钻头。这些钻头会过热，除非你不断拔出钻头来清理钻屑。易碎裂材料应垫上木块。

在砖石材料上钻孔

在砖石上钻孔时，请使用冲击钻孔专用的碳化钻头，并确保钻头保持尖锐。对工具施加恒定、稳固

的力度可使钻孔操作获得最有效的结果。如果钻屑平滑、均匀地流出，则表明钻孔速度适当。

拧螺丝

- ◆ 选择正反转

冲击钻孔 (图A)

- ◆ 选择“冲击钻”模式。
- ◆ 按下开关 (1)。

电钻钻孔

- ◆ 选择“电钻孔”模式。
- ◆ 如冲击钻中所描述的方式一般进行钻孔

附件

电动工具的性能取决于所使用的附件。史丹利附件按照高质量标准设计，旨在增强电动工具的性能。使用这些附件会令您的工具如虎添翼。

维护

本史丹利有线/无线设备/工具设计精良，可以长期使用，而且只需极少的维护。要持续获得令人满意的工作效果，需要对工具进行适当的维护和定期清洁。

警告! 对有线/无线电动工具进行任何维护工作之前，必须：

- ◆ 闭电源并拔下设备/工具插头。
- ◆ 如果设备/工具配有独立电池组，请关闭电源并从设备/工具上取下电池。
- ◆ 如果设备/工具配有一体式电池，请将电池电量耗尽后，然后再关闭电源。
- ◆ 清洁之前，先拔下充电器插头。您的充电器除了需要定期清洁外，不需要执行任何保养操作。
- ◆ 定期使用牙刷或干布清洁设备/工具/充电器内的通风槽。
- ◆ 定期使用湿布清洁电动机外壳。请不要使用任何研磨性或基于溶剂的清洁剂。
- ◆ 定期打开夹头并轻敲以去除内部的任何粉尘（安装后）。



清洁



警告! 一旦通风口和周围积聚了可见的粉尘请立即用干燥的空气吹走主机外壳内的粉尘和灰尘。执行此过程时，需戴上经认可的护目装备和防尘面具。



警告！切勿使用溶剂或其他刺激性化学制品来清洁工具的非金属部件。这些化学物质可能会削弱这些部件使用的材料。请用布蘸温和的肥皂水擦拭。切勿让任何液体渗入工具，切勿让工具的任何部分浸在液体中。

保护环境



分类回收。本产品不得与普通家庭垃圾一起处理。

如果您发现您的史丹利产品需要更换或您已经不再需要使用这些产品，请不要将它们与家庭垃圾一起处理。请将它们单独分类回收。



分类回收使用过的产品和包装能够让材料得以再循环和再利用。再生材料的再利用有助于防止环境污染，并降低对原材料的需求。

当地法规可能要求由市政废物处理点或向您出售新产品的零售商提供从家庭中分类回收电气产品的服务。

维修信息

史丹利为您提供我们在全亚洲公司所有的和公司授权的维修点网络。所有的史丹利维修中心均配备训练有素的人员，可为客户提供高效可靠的电动工具维修。无论您需要的是技术建议、修理还是原厂备件，均可联系最近的史丹利维修点为您服务。

注意事项

- ◆ 史丹利实行的是对我们的产品持续改进的政策，因此，我们保留不另行通知即可更改产品规格的权利。
- ◆ 标准装置和配件因国家而异。
- ◆ 产品规格会按国家而有所不同。
- ◆ 完整的产品系列不一定在所有的国家均可用。请联系您当地的史丹利经销商，咨询产品系列的可用性。

制造商：江苏国强工具有限公司

制造商地址：江苏省启东市天汾科技五金工业园

产地：江苏启东

