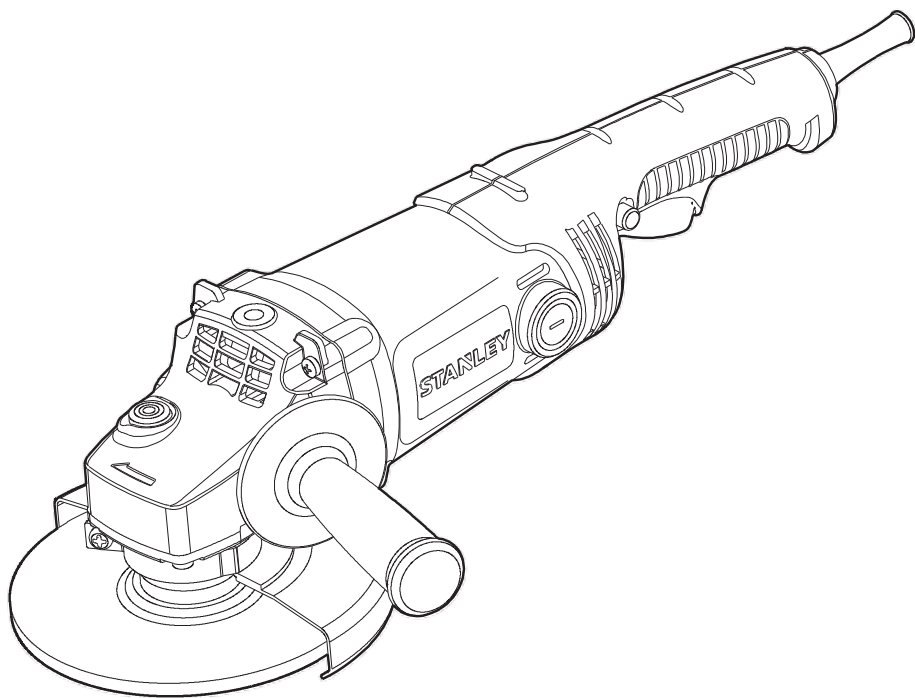
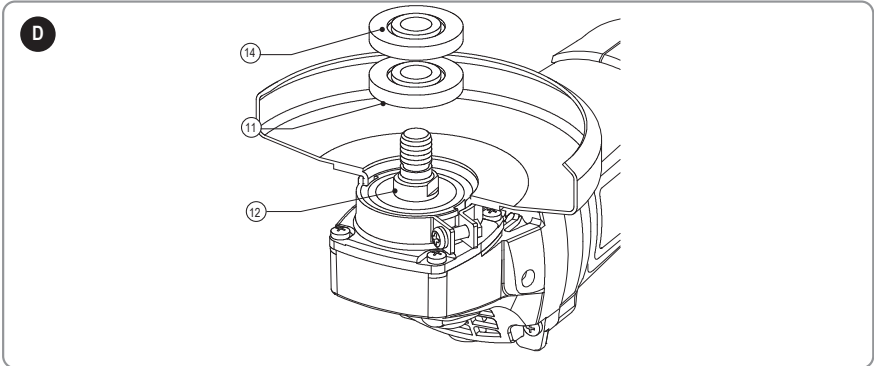
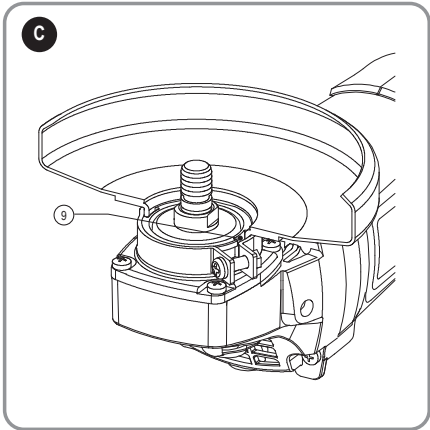
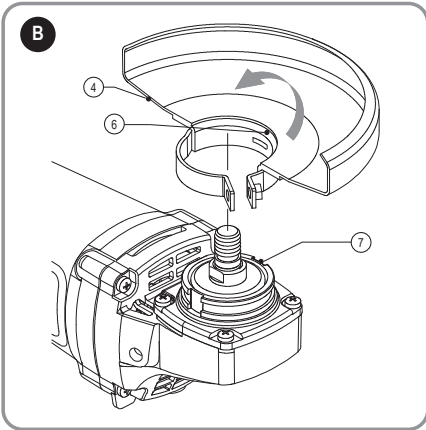
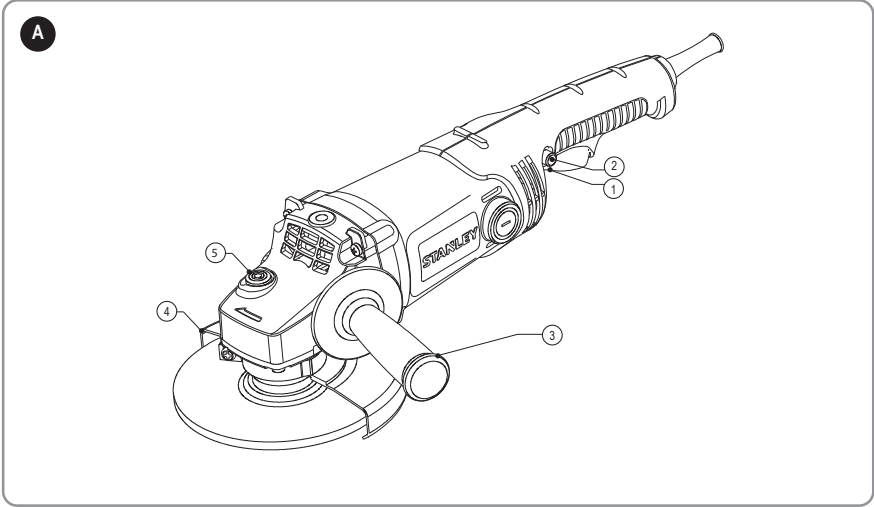


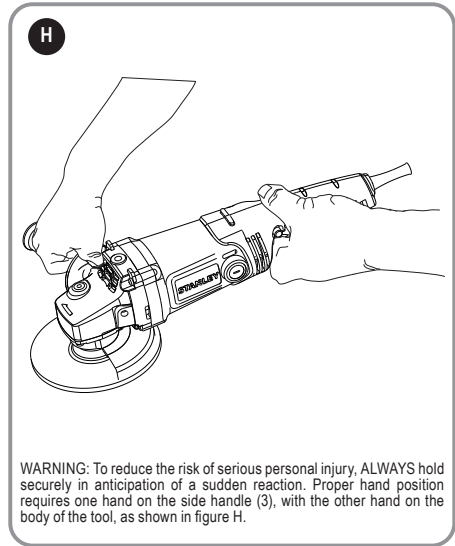
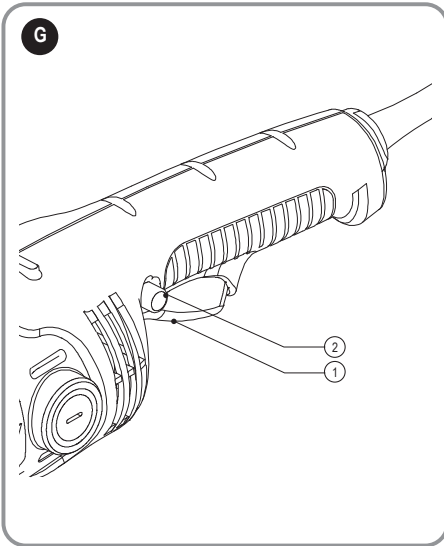
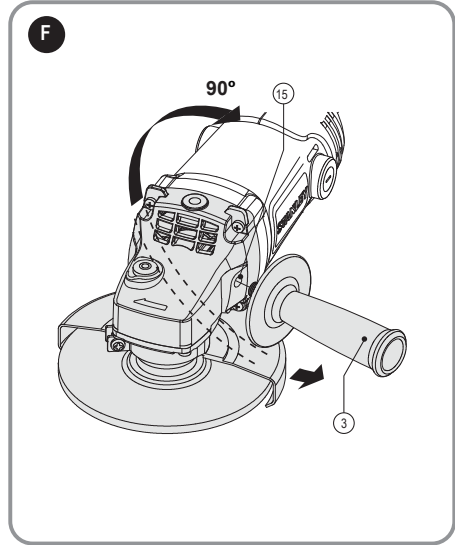
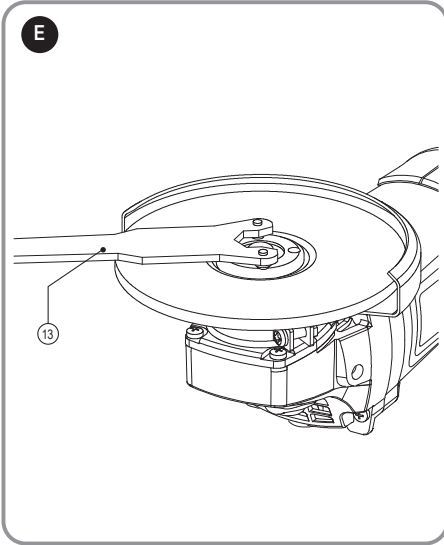
STANLEY®



SGM146

English	Page	04
Turkish	Page	12
Ukrainian	Page	20
Russian	Page	30





WARNING: To reduce the risk of serious personal injury, ALWAYS hold securely in anticipation of a sudden reaction. Proper hand position requires one hand on the side handle (3), with the other hand on the body of the tool, as shown in figure H.

Intended Use

Your STANLEY Medium angle grinder SGM146 has been designed for grinding metal using the appropriate type of grinding disc. This tool is intended for professional use.

SAFETY INSTRUCTIONS

The definitions below describe the level of severity for each signal word. Please read the manual and pay attention to these symbols.



DANGER: Indicates an imminently hazardous situation which, if not avoided, **will result in death or serious injury.**



WARNING: Indicates a potentially hazardous situation which, if not avoided, **could result in death or serious injury.**



CAUTION: Indicates a potentially hazardous situation which, if not avoided, may result in minor or moderate injury.

NOTICE: Indicates a practice not related to personal injury which, if not avoided, may result in property damage.



Denotes risk of electric shock.



Denotes risk of fire.



Warning: To reduce the risk of injury, read the instruction manual.

General Power Tool Safety Warnings



WARNING! Read all safety warnings and instructions. Failure to follow the warnings and instructions may result in electric shock, fire and/or serious injury.

Save all warnings and instructions for future reference

The term “power tool” in the warnings refers to your mains-operated (corded) power tool or battery operated (cordless) power tool.

1. Work area safety

- a. **Keep work area clean and well lit.** Cluttered and dark areas invite accidents.
- b. **Do not operate power tools in explosive atmospheres, such as in the presence of flammable liquids, gases or dust.** Power tools create sparks which may ignite the dust or fumes.
- c. **Keep children and bystanders away while operating a power tool.** Distractions can cause you to lose control.

2. Electrical safety

- a. **Power tool plugs must match the outlet. Never modify the plug in any way. Do not use any adapter plugs with earthed (grounded) power tools.** Unmodified plugs

and matching outlets will reduce risk of electric shock.

- b. **Avoid body contact with earthed or grounded surfaces such as pipes, radiators, ranges and refrigerators.** There is an increased risk of electric shock if your body is earthed or grounded.
- c. **Do not expose power tools to rain or wet conditions.** Water entering a power tool will increase the risk of electric shock.
- d. **Do not abuse the cord. Never use the cord for carrying, pulling or unplugging the power tool. Keep cord away from heat, oil, sharp edges or moving parts.** Damaged or entangled cords increase the risk of electric shock.
- e. **When operating a power tool outdoors, use an extension cord suitable for outdoor use.** Use of a cord suitable for outdoor use reduces the risk of electric shock.
- f. **If operating a power tool in a damp location is unavoidable, use a residual current device (RCD) protected supply.** Use of an RCD reduces the risk of electric shock.

3. Personal safety

- a. **Stay alert, watch what you are doing and use common sense when operating a power tool. Do not use a power tool while you are tired or under the influence of drugs, alcohol or medication.** A moment of inattention while operating power tools may result in serious personal injury.
- b. **Use personal protective equipment. Always wear eye protection.** Protective equipment such as dust mask, non-skid safety shoes, hard hat, or hearing protection used for appropriate conditions will reduce personal injuries.
- c. **Prevent unintentional starting. Ensure the switch is in the off-position before connecting to power source and/or battery pack, picking up or carrying the tool.** Carrying power tools with your finger on the switch or energising power tools that have the switch on invites accidents.
- d. **Remove any adjusting key or wrench before turning the power tool on.** A wrench or a key left attached to a rotating part of the power tool may result in personal injury.
- e. **Do not overreach. Keep proper footing and balance at all times.** This enables better control of the power tool in unexpected situations.
- f. **Dress properly. Do not wear loose clothing or jewellery. Keep your hair, clothing and gloves away from moving parts.** Loose clothes, jewellery or long hair can be caught in moving parts.
- g. **If devices are provided for the connection of dust extraction and collection facilities, ensure these are connected and properly used.** Use of these devices can reduce dust related hazards.

4. Power tool use and care

- a. **Do not force the power tool. Use the correct power tool for your application.** The correct power tool will do the job better and safer at the rate for which it was designed.
- b. **Do not use the power tool if the switch does not turn it on and off.** Any power tool that cannot be controlled with the switch is dangerous and must be repaired.
- c. **Disconnect the plug from the power source and/or the battery pack from the power tool before making any adjustments, changing accessories, or storing power tools.** Such preventive safety measures reduce the risk of starting the power tool accidentally.
- d. **Store idle power tools out of the reach of children and do not allow persons unfamiliar with the power tool or these instructions to operate the power tool.** Power tools are dangerous in the hands of untrained users.
- e. **Maintain power tools. Check for misalignment or binding of moving parts, breakage of parts and any other condition that may affect the power tools operation. If damaged, have the power tool repaired before use.** Many accidents are caused by poorly maintained power tools.
- f. **Keep cutting tools sharp and clean.** Properly maintained cutting tools with sharp cutting edges are less likely to bind and are easier to control.
- g. **Use the power tool, accessories and tool bits etc. in accordance with these instructions, taking into account the working conditions and the work to be performed.** Use of the power tool for operations different from those intended could result in a hazardous situation.

5. Service

- a. **Have your power tool serviced by a qualified repair person using only identical replacement parts.** This will ensure that the safety of the power tool is maintained.

ADDITIONAL SPECIFIC SAFETY RULES

Safety Instructions for all Operations

- a. **This power tool is intended to function as a grinder or sander. Read all safety warnings, instructions, illustrations and specifications provided with this power tool.** Failure to follow all instructions listed below may result in electric shock, fire and/or serious injury.
- b. **Operations such as polishing, cutting-off and wire brushing are not recommended to be performed with this power tool.** Operations for which the power tool was not designed may create a hazard and cause personal injury.
- c. **Do not use accessories which are not specifically designed and recommended by the tool manufacturer.** Just because the accessory can be attached to your power tool, it does not assure safe operation.
- d. **The rated speed of the accessory must be at least equal to the maximum speed marked on the power tool.** Accessories running faster than their rated speed can break and fly apart.
- e. **The outside diameter and the thickness of your accessory must be within the capacity rating of your power tool.** Incorrectly sized accessories can not be adequately guarded or controlled.
- f. **Threaded mounting of accessories must match the grinder spindle thread. For accessories mounted by flanges, the arbor hole of the accessory must fit the locating diameter of the flange.** Accessories that do not match the mounting hardware of the power tool will run out of balance, vibrate excessively and may cause loss of control.
- g. **Do not use a damaged accessory. Before each use inspect the accessory such as abrasive wheel for chips and cracks. If power tool or accessory is dropped, inspect for damage or install an undamaged accessory. After inspecting and installing an accessory, position yourself and bystanders away from the plane of the rotating accessory and run the power tool at maximum no-load speed for one minute.** Stop immediately if there is a considerable vibration or if other defects are detected. If this condition occurs, check the machine to determine the cause. Always store the abrasive wheel safely and on dry places outside of the reach of children. Damaged accessories will normally break apart during this test time.
- h. **Wear personal protective equipment. Depending on application, use face shield, safety goggles or safety glasses. As appropriate, wear dust mask, hearing protectors, gloves and shop apron capable of stopping small abrasive or workpiece fragments. The eye protection must be capable of stopping flying debris generated by various operations.** The dust mask or respirator must be capable of filtrating particles generated by your operation. Prolonged exposure to high intensity noise may cause hearing loss.
- i. **Keep bystanders a safe distance away from work area. Anyone entering the work area must wear personal protective equipment.** Fragments of workpiece or of a broken accessory may fly away and cause injury beyond immediate area of operation.
- j. **Hold power tool by insulated gripping surfaces only, when performing an operation where the cutting accessory may contact hidden wiring or its own cord. Cutting accessory contacting a "live" wire may make exposed metal parts of the power tool "live" and could give the operator an electric shock.**
- k. **Position the cord clear of the spinning accessory. If you lose control, the cord may be cut or snagged and your hand or arm may be pulled into the spinning accessory.**

- l. **Never lay the power tool down until the accessory has come to a complete stop.** The spinning accessory may grab the surface and pull the power tool out of your control.
- m. **Do not run the power tool while carrying it at your side.** Accidental contact with the spinning accessory could snag your clothing, pulling the accessory into your body.
- n. **Regularly clean the power tool's air vents.** The motor's fan will draw the dust inside the housing and excessive accumulation of powdered metal may cause electrical hazards.
- o. **Do not operate the power tool near flammable materials.** Sparks could ignite these materials.
- p. **Do not use accessories that require liquid coolants.** Using water or other liquid coolants may result in electrocution or shock.

FURTHER SAFETY INSTRUCTIONS FOR ALL OPERATIONS

Causes and Operator Prevention of Kickback

Kickback is a sudden reaction to a pinched or snagged rotating wheel or any other accessory. Pinching or snagging causes rapid stalling of the rotating accessory which in turn causes the uncontrolled power tool to be forced in the direction opposite of the accessory's rotation at the point of the binding.

For example, if an abrasive wheel is snagged or pinched by the workpiece, the edge of the wheel that is entering into the pinch point can dig into the surface of the material causing the wheel to climb out or kick out. The wheel may either jump toward or away from the operator, depending on direction of the wheel's movement at the point of pinching. Abrasive wheels may also break under these conditions.

Kickback is the result of tool misuse and/or incorrect operating procedures or conditions and can be avoided by taking proper precautions as given below:

- a. **Maintain a firm grip on the power tool and position your body and arm to allow you to resist kickback forces. Always use auxiliary handle, if provided, for maximum control over kickback or torque reaction during start up.** The operator can control torque reaction or kickback forces, if proper precautions are taken.
- b. **Never place your hand near the rotating accessory.** Accessory may kickback over your hand.
- c. **Do not position your body in the area where power tool will move if kickback occurs.** Kickback will propel the tool in direction opposite to the wheel's movement at the point of snagging.
- d. **Use special care when working corners, sharp edges etc. Avoid bouncing and snagging the accessory.** Corners, sharp edges or bouncing have a tendency to

snag the rotating accessory and cause loss of control or kickback.

- e. **Do not attach a saw chain woodcarving blade or toothed saw blade.** Such blades create frequent kickback and loss of control.

Safety Warnings Specific for Grinding

- a. **Use only wheel types that are recommended for your power tool and the specific guard designed for the selected wheel.** Wheels for which the power tool was not designed cannot be adequately guarded and are unsafe.
- b. **The grinding surface of the centre depressed wheels must be mounted below the plane of the guard lip.** An improperly mounted wheel that projects through the plane of the guard lip cannot be adequately protected.
- c. **The guard must be securely attached to the power tool and positioned for maximum safety, so the least amount of wheel is exposed towards the operator.** The guard helps to protect the operator from broken wheel fragments, accidental contact with wheel and sparks that could ignite clothing.
- d. **Wheels must be used only for recommended applications. For example: do not grind with the side of cut-off wheel.** Abrasive cut-off wheels are intended for peripheral grinding, side forces applied to these wheels may cause them to shatter.
- e. **Always use undamaged wheel flanges that are of correct size and shape for your selected wheel.** Proper wheel flanges support the wheel thus reducing the possibility of wheel breakage. Flanges for cut-off wheels may be different from grinding wheel flanges.
- f. **Do not use worn down wheels from larger power tools.** Wheel intended for larger power tool is not suitable for the higher speed of a smaller tool and may burst.

Additional Safety Information

- This tool is not designed to be used with wire wheels and wire cup.



WARNING: We recommend the use of a residual current device with a residual current rating of 30mA or less.

RESIDUAL RISKS

In spite of the application of the relevant safety regulations and the implementation of safety devices, certain residual risks cannot be avoided. These are:

- Impairment of hearing
- Risk of personal injury due flying particles.
- Risk of burns due to accessories becoming hot during operation.
- Risk of personal injury due to prolonged use.
- Risk of dust from hazardous substances.

LABELS ON TOOL

In addition to the pictographs used in this manual, the labels on the tool show the following pictographs:



Read instruction manual before use.



Wear safety glasses.



Wear ear protection.

Date Code Position (Fig. A)

The Date Code (16), which also includes the year of manufacture, is printed into the housing.

Example:

2017 XX XX

Year of Manufacture Package Contents

THE PACKAGE CONTAINS

1 Angle grinder

1 Guard

1 Side handle

1 Flange set

1 Two-pin spanner

1 Instruction manual

- Check for damage to the tool, parts or accessories which may have occurred during transport.
- Take the time to thoroughly read and understand this manual prior to operation.

Description (Fig. A)

WARNING: Never modify the power tool or any part of it. Damage or personal injury could result.

- 1 ON/OFF-switch
- 2 Lock button
- 3 Side handle
- 4 Guard
- 5 Spindle lock

ELECTRICAL SAFETY

Only one voltage is applicable to this tool. Be sure to check that the power supply corresponds to the voltage on the rating plate.



Your Stanley tool is equipped with double insulation, hence, it does not require to be earthed

When the power cord is damaged, have it sent to a STANLEY service center for replacement to specially prepared cables.

USING AN EXTENSION CABLE

If an extension cable is required, use an approved 3-core extension cable suitable for the power input of this tool (**see Technical Data**). The minimum conductor size is 1.5 mm²; the maximum length is 30 m.

When using a cable reel, always unwind the cable completely.

ASSEMBLY AND ADJUSTMENT

WARNING: To reduce the risk of serious personal injury, turn tool off and disconnect tool from power source before making any adjustments or removing/installing attachments or accessories. Before reconnecting the tool, depress and release the trigger switch to ensure that the tool is off. An accidental start-up can cause injury.

Attaching the Side Handle (Fig. F)

WARNING: Before using the tool, check that the handle is tightened securely.



WARNING: The side handle should always be used to maintain control of the tool at all times. Screw the side handle (3) tightly into one of the holes (15) on the side of the gear case.

Mounting and Removing the Guard

WARNING: Guards must be used with this grinder.

Mounting (FIG. B & C)

- Place the angle grinder on a table, spindle up.
- Align the lug (6) with the slot (7) in the bracket.
- Press the guard (4) down and turn it in the direction of the arrow (Fig. B).

Removing (FIG. B & C)

- Hold the tool in your hand.
- Loosen the screw 9 on the guard collar.
- Rotate the guard until the lug locates in the slot.
- Release the guard.

Attaching and Removing Grinding Wheels (Fig. D, E)

Warning: Do not use damaged grinding wheels.

- Place the tool on a work bench, groove facing up.
- Attach the inner flange(11) correctly on the output shaft(12) Fig. D

- Place the grinding wheel on the inner flange(11) when attaching a grinding wheel with a raised center, make sure that the raised center faces the inner flange.
- Place the sanding sheet on the rubber backing pad.
- Tighten the outer flange(14) until the output shaft (12) (Fig.E) when attaching the grinding wheel, the ring on top of the outer flange(14) must face the wheel.
- Press the spindle lock button (5) and prevent the spindle (12) from rotating until it locks in place.
- Use the pin spanner to tighten the outer flange (14)

2. Keep the edge of the wheel tilted at angle from 15 to 30 degrees against surface of the workpiece.
3. When using a new grinding wheel, do not operate the wheel i nthe B direction, otherwise, it will cut into the workpiece. When the edge of wheel has been rounded off, you are free to operate the grinder in either the A or B direction.

Starting and Stopping (Fig. A)



WARNING: Before using the tool, check whether the handle is tightened securely. Check whether the ON/OFF switch is working normally

To start the tool, press the lock button (2) and then press the trigger (1), if wants to lock the unit to “on” position, keep pressing the trigger (1), further press the button (2). To turn off the unit, just press the trigger and loose, unit will stop running.

Switching



CAUTION: Hold the body of the tool firmly to maintain control of the tool at start up and during use and until the wheel or accessory stops rotating. Make sure the wheel has come to a complete stop before laying the tool down.

ON/OFF switch (1) with auto-lock



WARNING: Before connecting the tool to a power supply, be sure the trigger switch is in the off position by pressing the front part of the switch and releasing. Ensure the trigger switch is in the off position as described above after any interruption in power supply to the tool, such as the activation of a circuit breaker, accidental unplugging, or power failure. If the trigger switch is locked on when the power is connected, the tool will start unexpectedly.

To start the tool, press the lock button (2) and then press the trigger (1).

Lock feature of the ON/OFF switch

Press the lock button (2) and then press the trigger (1), the tool will start. Keep pressing the trigger, then further press the lock button (2), the unit will be locked into “on” position. To turn off the tool, Press the trigger (1) then loose, the lock button (2) will spring up and tool will stop running.

Explanation: Before coming into contact with the object you are working on, make sure the abrasive wheel is turning at maximum speed. Before turning off the tool, lift the tool up from the object you are working on



CAUTION: Make sure the abrasive wheel is completely stopped before putting down the tool.

Prior to Operation

- Install the appropriate guard and disk or wheel. Do not use excessively worn disks or wheels.
- Do not use a damaged accessory. Before each use inspect the accessory If power tool or accessory is dropped, inspect for damage or install an undamaged accessory. After inspecting and installing an accessory, position yourself and bystanders away from the plane of the rotating accessory and run the power tool at maximum no-load speed for one minute. Damaged accessories will normally break apart during this test time.
- Be sure the inner and outer flange are mounted correctly.
- Make sure the disk or wheel rotates in the direction of the arrows on the accessory and the tool.
- Do not use cutting-off wheels for side grinding.
- Ensure that sparks resulting from use do not create hazard e.g. do not hit persons, or ignite flammable substances.

Operation (Fig. F)

Instruction



WARNING: Always observe the safety instructions and applicable regulations.



WARNING: To minimize the danger of serious personal injury, please switch off the tool power and disconnect all plugs before adjusting or removing/installing any accessory. Before reconnecting the tool, press and release the trigger switch to make sure the tool is already switched off.



WARNING:

- Make sure all materials to be grinded are secured in position.
 - Apply slight pressure to the tool. Do not apply side pressure to abrasive disc.
 - Avoid overloading. If the tool becomes hot, let it spin for a few minutes with no load.
1. Be sure to hold the tool tightly with both hands (one hand on housing, the other on side handle). Start the tool and bring the grinding wheel on the workpiece.

Rotating the Gear Case (Fig. F)

The gear case is mounted onto the tool casing, and it can be rotated to give the user a more comfortable experience while cutting.

The rotating gear case can be turned 90 degrees, 180 degrees, and 270 degrees to the left or to the right.

- Loosen the four screws on the gear case.
- Rotate the gear case till it reaches its ideal location.
- Tighten the four screws on the gear case.
- Ensure that the rotating mechanism is locked.



WARNING: Do NOT use the tool when the gear case is unlocked.

Spindle Lock (Fig. A)

The spindle lock (5) is provided to prevent the spindle from rotating when installing or removing wheels. Operate the spindle lock only when the tool is turned off, unplugged from the power supply, and has come to a complete stop.

NOTE: To reduce the risk of damage to the tool, do not engage the spindle lock while the tool is operating. Damage to the tool will result and attached accessory may spin off possibly resulting in injury.

To engage the lock, depress the spindle lock button and rotate the spindle until you are unable to rotate the spindle further.

Metal Applications

When using the tool in metal applications, make sure that a residual current device (RCD) has been inserted to avoid residual risks caused by metal swarf.

If the power supply is shut off by the RCD, take the tool to authorised STANLEY repair agent.



WARNING: In extreme working conditions, conductive dust can accumulate inside the machine housing when working with metal. This can result in the protective insulation in the machine becoming degraded with a potential risk of an electrical shock. To avoid build-up of metal swarf inside the machine, we recommend to clear the ventilation slots on a daily basis. See Maintenance.

MAINTENANCE

Your STANLEY power tool has been designed to operate over a long period of time with a minimum of maintenance. Continuous satisfactory operation depends upon proper tool care and regular cleaning.



WARNING: To reduce the risk of serious personal injury, turn tool off and disconnect tool from power source before making any adjustments or removing/installing attachments or accessories. Before reconnecting the tool, depress and release the trigger switch to ensure that the tool is off. An accidental start-up can cause injury.



Lubrication

Your power tool requires no additional lubrication.



Cleaning



WARNING: Blow dirt and dust out of the main housing with dry air as often as dirt is seen collecting in and around the air vents. Wear approved eye protection and approved dust mask when performing this procedure.



WARNING: Never use solvents or other harsh chemicals for cleaning the non-metallic parts of the tool. These chemicals may weaken the materials used in these parts. Use a cloth dampened only with water and mild soap. Never let any liquid get inside the tool; never immerse any part of the tool into a liquid.

Optional Accessories



WARNING: Since accessories, other than those offered by STANLEY, have not been tested with this tool could be hazardous. To reduce the risk of injury, only STANLEY, recommended accessories should be used with this product.

Consult your dealer for further information on the appropriate accessories.

Protecting the Environment



Separate collection. This product must not be disposed of with normal household waste.

Should you find one day that your STANLEY product needs replacement, or if it is of no further use to you, do not dispose of it with household waste. Make this product available for separate collection.



STANLEY provides a facility for the collection and recycling of STANLEY products once they have reached the end of their working life. To take advantage of this service please return your product to any authorised repair agent who will collect them on our behalf.

You can check the location of your nearest authorised repair agent by contacting your local STANLEY office at the address indicated in this manual. Alternatively, a list of authorised STANLEY repair agents and full details of our after-sales service and contacts are available on the Internet at: www.2helpU.com.

Notes

STANLEY's policy is one of continuous improvement to our products and as such, we reserve the right to change product specifications without prior notice.

Standard equipment and accessories may vary by country.

Product specifications may differ by country.

Complete product range may not be available in all countries.

Contact your local STANLEY dealers for range availability.

TECHNICAL DATA

MEDIUM ANGLE GRINDER		SGM146
Voltage	V _{AC}	220-240V
Frequency	Hz	50/60Hz
Power input	W	1400
Rated speed	min ⁻¹	9500
Wheel diameter	mm	150
Grinding Wheel thickness	mm	6
Spindle diameter		M14
Weight	kg	3.1

Noise values and vibration values (triax vector sum) according to EN60745-2-3

L_{pA} (emission sound pressure level) dB(A) 94.0

L_{wA} (sound power level) dB(A) 105.0

K (uncertainty for the given sound level) dB(A) 3

Surface grinding

Vibration emission value ah, AG = m/s² 9.3

Uncertainty K = m/s² 1.5

Disc sanding

Vibration emission value ah, DS = m/s² 2.7

Uncertainty K = m/s² 1.5

The vibration emission level given in this information sheet has been measured in accordance with a standardised test given in EN60745 and may be used to compare one tool with another. It may be used for a preliminary assessment of exposure.

WARNING: The declared vibration emission level represents the main applications of the tool. However if the tool is used for different applications, with different accessories or poorly maintained, the vibration emission may differ. This may significantly increase the exposure level over the total working period.

An estimation of the level of exposure to vibration should also take into account the times when the tool is switched off or when it is running but not actually doing the job. This may significantly reduce the exposure level over the total working period.

Identify additional safety measures to protect the operator from the effects of vibration such as: maintain the tool and the accessories, keep the hands warm, organisation of work patterns.

EC declaration of conformity
MACHINERY DIRECTIVE



SGM146 - Medium Angle Grinder

Stanley Europe declares that these products described under "technical data" are in compliance with: EN 60745-1:2009+A11:2010, EN 60745-2-3:2011+A12:2014

These products also comply with Directive 2004/108/ EC 2014/30/EU and 2011/65/EU.

For more information, please contact Stanley Europe at the following address or refer to the back of the manual.

The undersigned is responsible for compilation of the technical file and makes this declaration on behalf of Stanley Europe.

R.Laverick

Engineering Manager
Stanley Europe, Egide Walschaertsstraat 14-18,
2800 Mechelen, Belgium
01.2017

Service Information

STANLEY offers a full network of company-owned and/ or authorized service agents throughout your country. All STANLEY Service Centers are staffed with trained personnel to provide customers with efficient and reliable power tool service. Whether you need technical advice, repair, or genuine factory replacement parts, contact the STANLEY location nearest to you.

TWO YEARS WARRANTY

If your STANLEY product becomes defective due to faulty materials or workmanship within 24 months from the date of purchase, STANLEY guarantees to replace all defective parts free of charge or – at our discretion – replace the unit free of charge provided that:

- The product has not been misused and has been used in accordance with the instruction manual;
- The product has been subject to fair wear and tear;
- Repairs have not been attempted by unauthorized persons;
- Proof of purchase is produced.
- The STANLEY product is returned complete with all original components
- The product hasn't been used for hire purposes

If you wish to make a claim, contact your seller or check the location of your nearest authorised STANLEY repair agent in the STANLEY catalogue or contact your local STANLEY office at the address indicated in this manual. A list of authorised STANLEY repair agents and full details of our after sales service is available on the internet at: www.2helpU.com

Kullanım amacı

SGM146 STANLEY taşlama makineniz uygun tipte taşlama diskini kullanarak metal taşlanması için tasarlanmıştır. Bu alet profesyonel kullanım içindir.

GÜVENLİK TALİMATLARI

Aşağıdaki tanımlar her işaret sözcüğü ciddiyet derecesini gösterir. Lütfen kılavuzu okuyunuz ve bu simgelere dikkat ediniz.



TEHLİKE: Engellenmemesi halinde ölüm veya ciddi yaralanma ile sonuçlanabilecek çok yakın bir tehlikeli durumu gösterir.



UYARI: Engellenmemesi halinde ölüm veya ciddi yaralanma ile sonuçlanabilecek potansiyel bir tehlikeli durumu gösterir.



DİKKAT: Engellenmemesi halinde önemsiz veya orta dereceli yaralanma ile sonuçlanabilecek potansiyel bir tehlikeli durumu gösterir.

İKAZ: Engellenmemesi halinde maddi hasara neden olabilecek, yaralanma ile ilişkisi olmayan durumları gösterir.



Elektrik çarpması riskine işaret eder.



Yangın riskini belirtir.



Uyarı: Yaralanma riskini azaltmak için, kullanım kılavuzunu okuyun.

Elektrikli el aletleri için genel güvenlik talimatları



UYARI! Bütün güvenlik uyarılarını ve talimatlarını mutlaka okuyun. Bu uyarılar ve talimatların herhangi birisine uyulmaması elektrik çarpması, yangın ve/veya ciddi yaralanma riskine neden olabilir.

Bütün uyarı ve güvenlik talimatlarını ilerde bakmak üzere saklayın Uyarılarda yer alan «elektrikli alet» terimi şebeke elektrifiyle (kablolu) veya akü/pille (şarjlı) çalışan elektrikli aletinizi ifade etmektedir.

1. Çalışma alanının güvenliği

- Çalışma alanını temiz ve aydınlık tutun.** Dağınık ve karanlık alanlar kazaya davetiye çıkarır.
- Elektrikli aletleri, yanıcı sıvılar, gazlar ve tozların bulunduğu yerler gibi yanıcı ortamlarda çalıştırmayın.** Elektrikli aletler, toz veya dumanları ateşleyebilecek kıvılcımlar çıkarır.
- Bir elektrikli aleti çalıştırırken çocuklardan ve etraftaki kişilerden uzak tutun.** Dikkatinizi dağıtıcı şeyler kontrolü kaybetmenize neden olabilir.

2. Elektrik güvenliği

- Elektrikli aletlerin fişleri prizlere uygun olmalıdır. Fiş üzerinde kesinlikle hiçbir değişiklik yapmayın. Topraklı (topraklanmış) elektrikli aletlerde hiçbir**

adaptor fişi kullanmayın. Değiştirilmemiş fişler ve uygun prizler elektrik çarpması riskini azaltacaktır.

- Borular, radyatörler, ocaklar ve buzdolapları gibi topraklanmış yüzeylerle vücut temasından kaçının.** Vücudunuzun topraklanması halinde yüksek elektrik çarpması riski vardır.
- Elektrikli aletleri yağmura maruz bırakmayın veya ıslatmayın.** Elektrikli alete su girmesi, elektrik çarpması riskini artıracaktır.
- Kablosuna zarar vermeyin. Elektrikli aleti kesinlikle kablosundan tutarak taşımayın, çekmeyin veya prizden çıkarmayın. Kabloyu sıcağın, yağdan, keskin kenarlardan veya hareketli parçalardan uzak tutun.** Hasarlı veya dolaşmış kablolar elektrik çarpması riskini artırır.
- Elektrikli aleti açık havada kullanırken, açık hava kullanımına uygun bir uzatma kablosu kullanın.** Açık havada kullanıma uygun bir kablonun kullanılması elektrik çarpması riskini azaltır.
- Eğer bir elektrikli aleti nemli bir bölgede çalıştırması zorluyorsa, bir artık akım aygıtı (RCD) korumalı bir kaynak kullanın.** Bir RCD kullanılması elektrik çarpması riskini azaltır.

3. Kişisel güvenlik

- Elektrikli bir alet kullanırken her zaman dikkatli olun, yaptığınız işe yoğunlaşın ve sağduyulu davranın. Elektrikli bir aleti yorgunken veya ilaç ya da alkolün etkisi altındayken kullanmayın.** Elektrikli aletleri kullanırken bir anlık dikkatsizlik ciddi yaralanmalara yol açabilir.
- Kişisel koruyucu ekipmanları mutlaka kullanın.** Daima koruyucu gözlük takın. Koşullara uygun toz maskesi, kaymayan güvenlik ayakkabıları, baret veya kulaklık gibi koruyucu donanımların kullanılması kişisel yaralanmaları azaltacaktır.
- İstem dışı çalıştırılmasını önleyin. Cihazı güç kaynağına ve/veya aküye bağlamadan, kaldırmadan veya taşımadan önce düğmenin kapalı konumda olduğundan emin olun.** Aleti, parmağınız düğme üzerinde bulunacak şekilde taşımak veya açık konumdaki elektrikli aletleri elektrik şebekesine bağlamak kazaya davetiye çıkarır.
- Elektrikli aleti çalıştırmadan önce herhangi bir ayarlama anahtarını veya vida anahtarını çıkarın.** Elektrikli aletin hareketli parçasına takılı bırakılan bir vida anahtarı veya anahtar, kişisel yaralanmaya neden olabilir.
- Ulaşmakta zorlandığımız yerlerde kullanmayın. Her zaman sağlam ve dengeli basın.** Bu, beklenmedik durumlarda elektrikli aletin daha iyi kontrol edilmesine olanak tanır.
- Uygun şekilde giyinin. Bol giysiler giymeyin ve takı takmayın. Saçınızı, giysinizi ve eldivenlerinizi hareketli parçalardan uzak tutun.** Bol giysiler, takılar veya uzun saçlar hareketli parçalara takılabilir.

g. Eğer kullandığınız üründe toz emme ve toplama özellikleri olan ataşmalar varsa bunların bağlı olduğundan ve doğru şekilde kullanıldığından emin olun. Bu toz toplama ataşmaların kullanılması tozla ilgili tehlikeleri azaltabilir.

4. Elektrikli aletlerin kullanımı ve bakımı

a. Elektrikli aleti zorlamayın. Uygulamanız için doğru elektrikli aleti kullanın. Doğru elektrikli alet, belirlendiği kapasite ayarında kullanıldığında daha iyi ve güvenli çalışacaktır.

b. Düğme açmıyor ve kapatmıyorsa elektrikli aleti kullanmayın. Düğmeyle kontrol edilemeyen tüm elektrikli aletler tehlikelidir ve tamir edilmesi gerekmektedir.

c. Herhangi bir ayarlama, aksesuar değişimi veya elektrikli aletlerin saklanması öncesinde fişi güç kaynağından çekin. Bu tür önleyici güvenlik tedbirleri aletin istem dışı çalıştırılması riskini azaltır.

d. Elektrikli aleti, çocukların ulaşamayacağı yerlerde saklayın ve elektrikli aleti tanımayan veya bu talimatları bilmeyen kişilerin elektrikli aleti kullanmasına izin vermeyin. Elektrikli aletler, eğitimsiz kullanıcıların elinde tehlikelidir.

e. Elektrikli aletlerin bakımını yapın. Hareketli parçalardaki hizalama hatalarını ve tutuklukları, parçalardaki kırılmalar ve elektrikli aletin çalışmasını etkileyebilecek tüm koşulları kontrol edin. Hasarlı ise, elektrikli aleti kullanmadan önce tamir ettirin. Kazaların çoğu, elektrikli aletlerin bakımının yeterli şekilde yapılmamasından kaynaklanır.

f. Kesim aletlerini keskin ve temiz tutun. Bakımı uygun şekilde yapılmış keskin kesim uçlu kesim aletlerinin sıkışma ihtimali daha düşüktür ve kontrol edilmesi kolaydır.

g. Elektrikli aleti, aksesuarlarını ve aletin diğer parçalarını vs. kullanırken bu talimatlara mutlaka uyun ve elektrikli alet türü için öngörüldüğü şekilde, çalışma ortamının koşullarını ve yapılacak işin ne olduğunu göz önünde bulundurun. Elektrikli aletin öngörülen işlemler dışındaki işlemler için kullanılması tehlikeli durumlara neden olabilir.

5. Servis

a. Elektrikli aletinizi, sadece orijinal yedek parçaların kullanıldığı yetkili servise tamir ettirin. Bu, elektrikli aletin güvenliğinin muhafaza edilmesini sağlayacaktır.

ÖZEL EK GÜVENLİK TALİMATLARI

Bütün uygulamalar için güvenlik talimatları

a. Bu elektrikli alet bir taşlama veya zımpara makinesi olarak kullanılmak üzere tasarlanmıştır. Bu elektrikli alet ile verilen tüm güvenlik uyarıları, talimatlar,

resimli açıklamalar ve teknik özellikleri okuyun. Aşağıda belirtilen tüm talimatların herhangi birisine uyulmaması elektrik çarpması, yangın ve/veya ciddi yaralanma riskine neden olabilir.

b. Polisaj, kesme ve fırçalama işlerinin bu elektrikli alet ile yapılması tavsiye edilmez. Elektrikli aletin tasarlanma amacı dışındaki işlemler tehlike ve kişisel yaralanmalara neden olabilir.

c. Üretici firma tarafından özel olarak tasarlanmamış ve tavsiye edilmemiş aksesuarları kullanmayın. Aksesuarın elektrikli aletinize takılabilir olması güvenli bir çalışma temin edeceği anlamına gelmemektedir.

d. Aksesuarın nominal hızı en az elektrikli alet üzerinde yazan maksimum hıza eşit olmalıdır. Nominal hızından daha hızlı çalışan aksesuarlar kırılabilir ve etrafa saçılabilir.

e. Aksesuarınızın dış çapı ve kalınlığı elektrikli aletinizin kapasite oranı içinde olmalıdır. Yanlış ebatlı aksesuarlar yeterli kadar korunamaz ve kontrol edilemez.

f. Metrik dişli aksesuarlar taşlamanın mil boyutuna uymalıdır. Flaşla monte edilen aksesuarların delikleri flaşın geçme çapına uygun uymalıdır. Elektrikli aletin montaj donanımına uymayan aksesuarlar dengesiz çalışır, aşırı titreşim yapar ve kontrolü kaybetmeye neden olabilir.

g. Hasar görmüş olan bir aksesuarı kullanmayın. Her kullanımdan önce aksesuarları inceleyin, örneğin diski talaş ve çatlaklara karşı kontrol edin. Elektrikli alet ya da aksesuar düşürülürse, hasar olup olmadığını kontrol edin ya da sağlam aksesuar takın. Aksesuarın incelenmesi ve monte edilmesinden sonra kendinizi ve etraftaki kişileri dönen aksesuarın düzleminden uzakta yerleştirin ve bir dakika boyunca elektrikli aleti boşa ve maksimum hızda çalıştırın. Ciddi bir titreşim varsa veya başka herhangi bir hata meydana gelirse, aleti derhal durdurun. Böyle bir durumda makineyi kontrol ederek nedenini belirlemeye çalışın. Her zaman aşındırıcı disklerini iyi güvenli ve kuru, çocukların erişemeyecekleri bir yerde saklayın. Bu test süresince hasarlı aksesuarlar normal olarak kırılarak dağılacaktır.

h. Kişisel koruyucu ekipmanları mutlaka kullanın. Uygulamaya bağlı olarak yüz kalkanı, koruyucu gözlük ya da güvenlik gözlükleri kullanın. Yeri geldiğinde küçük aşındırıcı maddeleri ya da işleme tabi tutulan parçaları durdurabilen toz maskesi, kulaklık, eldiven ve iş önlüğü giyin. Göz koruması, çeşitli işlemler sonucu açığa çıkan uçan parçacıkları durdurabilmelidir. Toz maskesi ya da gaz maskesi yaptığınız işlem sonucu açığa çıkan parçacıkları filtreleyebilmelidir. Uzun süreli yüksek şiddetli gürtlüye maruz kalınması işitme kaybına neden olabilir.

- i. **Çevrede bulunan şahısları çalışma alanından uzakta güvenli bir mesafede tutun. Çalışma alanına giren şahıslar kişisel koruyucu ekipman giymelidir.** İşleme tabi tutulan parçanın ya da kırık bir aksesuarın parçacıkları fırlatabilir ve çalışma alanının yakın çevresinde yaralanmalara neden olabilir.
- j. **Kesme aksesuarının gizli kabloları veya kendi kablosuna temas edebileceği yerlerde çalışma yaparken elektrikli aleti yalıtımlı kavrama yüzeylerinden tutun.** Kesme aksesuarının «akım taşıyan» bir kabloya temas etmesi durumunda elektrikli aletin metal kısımları da «akım taşıyıcı» hale gelecek ve kullanıcının elektrik çarpmasına neden olabilir.
- k. **Kabloyu dönen aksesuardan uzak tutun.** Kontrolü kaybederseniz kablo kesilebilir ya da kopabilir ve eliniz ya da kolunuz dönen aksesuar içine çekilebilir.
- l. **Aksesuar tamamen durmadıkça elektrikli aleti asla yere koymayın.** Dönen aksesuar yüzeyi yakalayabilir ve elektrikli aleti kontrolünüzden çıkarabilir.
- m. **Elektrikli aleti yanınızda taşırken çalıştırmayın.** Kaza ile temas halinde, dönen aksesuar gıysınıza takılabilir, aksesuarı vücudunuza doğru çekebilir.
- n. **Elektrikli aletin hava çıkışlarını düzenli olarak temizleyin.** Motor fanı, tozu muhafaza içine çeker ve aşırı metal toplanması elektriksel tehlike yaratabilir.
- o. **Elektrikli aleti yanıcı malzemelerin yakınında çalıştırmayın.** Kıvılcım bu malzemeleri tutuşturabilir.
- p. **Sıvı soğutucu gerektiren aksesuarlar kullanmayın.** Su ya da diğer sıvı soğutucuların kullanılması elektrik çarpması ya da şok ile sonuçlanabilir.

BÜTÜN UYGULAMALAR İÇİN EK GÜVENLİK TALİMATLARI

Tepme nedenleri ve kullanıcının korunması

Geri tepme, sıkışmış veya takılmış bir disk veya diğer aksesuarlara verilen ani tepkidir. Sıkışma veya takılma dönen aksesuarın aniden durmasına neden olur, bu daha sonra temas noktasında elektrikli aletin kontrolsüzce, aksesuarın dönme yönünün tersine doğru zorlanmasına yol açar.

Örneğin, bir aşındırıcı disk, işleme tabi tutulan parçaya takılır ya da sıkışır; sıkışma noktasına giren disk kenarı malzemenin yüzeyine saplanarak, diskin geri tepmesine ya da fırlamasına neden olabilir. Disk, sıkışma noktasındaki hareket yönüne bağlı olarak ya kullanıcıya doğru ya da kullanıcıdan uzağa fırlatabilir. Aşındırıcı diskler bu koşullar altında kırılabilir.

Geri tepme, aletin yanlış kullanılmasından ve/veya yanlış çalışma işlemleri veya koşullarından kaynaklanır ve aşağıda da belirtilen uygun tedbirler alınarak önenebilir:

- a. **Elektrikli aleti sıkıca tutun, vücudunuzu ve kolunuzu geri tepme gücüne karşı koyacak şekilde konumlandırın. Geri tepmeye ya da çalıştırma**

sırasındaki döndürme momenti tepkisine karşı maksimum kontrol sağlamak için eğer varsa yan tutma kolunu kullanın. Doğru önlemler alınırsa döndürme momenti tepkileri ya da geri tepmeler kullanıcı tarafından kontrol edilebilir.

- b. **Döner aksesuar civarına asla elinizi sokmayın.** Aksesuar elinizde geri tepme etkisi yapabilir.
- c. **Geri tepmenin meydana gelmesi durumunda vücudunuzu elektrikli aletin hareket edeceği alanda bulundurmayın.** Geri tepme hareketi aleti takılma noktasında disk hareketine ters yönde itecektir.
- d. **Köşe, keskin kenarlar vb. yerlerle çalışırken özellikle dikkatli olun. Aksesuarın sekmesinden ve takılmasından kaçının.** Köşeler, keskin kenarlar ya da sektirme hareketi döner aksesuarı engelleme eğilimindedir ve kontrolün kaybedilmesine ya da geri tepmeye neden olabilir
- e. **Zincirli testere zinciri, ahşap oyma bıçağı ya da dişli daire/gönye testere bıçağı takmayın.** Bu tür bıçaklar sık sık geri tepme ve kontrol kaybı oluşturur.

Taşlama uygulamalarına özel ilave güvenlik uyarıları

- a. **Sadece elektrikli aletinizin için tavsiye edilen disk türlerini ve seçilen disk için tasarlanmış özel muhafazayı kullanın.** Elektrikli aletin birlikte kullanılmak için tasarlanmadığı diskler yeteri kadar korunamazlar ve güvenli değildir.
- b. **Basık merkezli disklerin taşlama yüzeyi muhafaza çıkıntısı düzeyinden aşağıda monte edilmelidir.** Muhafaza çıkıntısı düzeyinden dışarı doğru çıkan yanlış monte edilmiş diskler gerektiği gibi korunamazlar.
- c. **Muhafazanın elektrikli alete güvenli bir şekilde bağlanması ve maksimum güvenlik için konumlandırılması gerekir, böylece diskin çok az bir kısmı kullanıcıya açık olacaktır.** Muhafaza, kullanıcının kırılan disk parçacıklarından ve disk ile istenmeyen temaslardan ve gıysileri yakabilecek kıvılcımlardan korunmasına yardımcı olur.
- d. **Diskler sadece önerilen uygulamalar için kullanılmalıdır. Örneğin: kesme diskinin kenarı ile taşlama yapmayın.** Aşındırıcı kesici diskler çevresel aşındırma için tasarlanmıştır, bu disklere uygulanan yan kuvvetler diskleri parçalayabilir.
- e. **Her zaman seçilen disk için doğru ebat ve şekilde, hasarsız flanşları kullanın.** Uygun flanşlar, diski destekler ve disk kırılması olasılığını azaltır. Kesme diski flanşları taşlama diski flanşlarından farklı olabilir.
- f. **Daha büyük çaplı taşlamaların yıpranmış disklerini kullanmayın.** Daha büyük elektrikli aletler için tasarlanmış disk daha küçük bir aletin yüksek hızları için uygun değildir ve parçalanabilir.

Ek güvenlik talimatları

Bu alet, tel tekerlek fırça ve tel çanak fırçaları ile kullanılacak şekilde tasarlanmamıştır.



UYARI: Alet, 30mA akımı aşmayan akım kesici cihazla beraber kullanılmaya tavsiye edilir.

Diğer tehlikeler

Emniyet tedbirlerini düzenleyen yönetmeliğin uygulanmasına ve emniyet sağlayıcı aygıtların kullanılmasına rağmen, başka belirli risklerden kaçınılamaz. Bunlar:

- Duyma bozukluğu
- Sıçrayan parçacıklardan kaynaklanan yaralanma riski.
- Çalışma sırasında ısınan aksesuarlardan kaynaklanan yanık tehlikesi.
- Uzun süreli kullanımdan kaynaklanan yaralanma riski.
- Tehlikeli maddeler içeren tozun oluşması riski.

ALET ÜZERİNDEKİ ETİKETLER

Bu kılavuzda kullanılan semboller ilave olarak, alet üzerinde bulunan etiketler aşağıdaki sembollerini belirtmektedir:



Aletle çalışmaya başlamadan önce bu kılavuzu okuyun.



Koruyucu gözlük takın.



Kulaklık takın.

Tarih kodu konumu (Şekil A)

İmalat yılını da içeren Tarih Kodu (16) gövdeye basılıdır. Örnek:

2017 XX XX
İmalat Yılı

AMBALAJ, AŞAĞIDAKİ PARÇALARI İÇERMEKTEDİR

- 1 Taşlama makinesi
- 1 Muhafaza
- 1 Yan kol
- 1 Flaş seti
- 1 Çift pimli anahtar
- 1 Kullanım kılavuzu
- Alette, parçalarda veya aksesuarlarda nakliye sırasında meydana gelmiş olabilecek hasarı kontrol edin.
- Aleti çalıştırmadan önce, bu kullanım kılavuzunu baştan sonra okuyup anlamak için gerekli zamanı ayırın.

Açıklama (Şekil A)

UYARI: Hiçbir zaman elektrikli aleti veya herhangi bir parçasını değiştirmeyin. Hasarla veya yaralanmayla sonuçlanabilir.

1. Açma/kapama tetiği
2. Kesintisiz çalıştırma düğmesi

3. Yan kol
4. Muhafaza
5. Mil kilidi

ELEKTRİK GÜVENLİĞİ

Bu alet, sadece tek bir gerilim ile çalışacak şekilde ayarlanmıştır. Her zaman şebeke geriliminin aletin üretim etiketinde belirlenmiş değerlere uyup uymadığını kontrol edin.



Stanley aletiniz çift yalıtılıdır; bu yüzden hiçbir topraklama kablosuna gerek yoktur

Güç kablosu hasarlıysa, STANLEY yetkili servisinden temin edilebilen özel olarak hazırlanmış bir kabloyla değiştirilmelidir.

UZATMA KABLOLARININ KULLANIMI

Bir uzatma kablosu gerekli ise, bu aletin elektrik girişine uygun (Teknik Özellikleri bölümüne bakın), onaylı bir 3 telli uzatma kablo kullanın. Minimum iletken boyutu 1,5 mm²'dir; maksimum uzunluk 30 m'dir.

Bir kablo makarası kullanırken, kabloyu daima sonuna kadar açın.

MONTAJ VE AYARLAMA

UYARI: Ciddi yaralanma riskini azaltmak için herhangi bir ayar yapmadan ya da parça veya aksesuarları söküp takmadan önce aleti kapatın ve güç kaynağından ayırın. Aleti yeniden bağlamadan önce aletin kapalı olduğundan emin olmak için tetiğe basıp bırakın. Aletin yanlışlıkla çalıştırılması yaralanmaya neden olabilir.

Yan kolun takılması (Şekil F)

UYARI: Aleti kullanmadan önce ikinci tutma kolun iyice sıkıldığından emin olun.



UYARI: Bu kol, aletin tam kontrolünü sağlamak için her zaman kullanılmalıdır.

Yan kolu (3) gövdenin her iki tarafındaki deliklerden (15) birine iyice vidalayın.

Muhafazanın takılması ve çıkartılması

UYARI: Bu taşlama makinesi muhafaza ile kullanılmalıdır.

Takılması (Şekil B ve C)

- Taşlama makinesini, mili yukarı bakacak şekilde bir masaya yatırın.
- Braket üzerindeki oyuğu (7) çıkıntı (6) ile hizalayın.
- Muhafazayı (4) aşağıya bastırın ve ok yönünde çevirin (Şekil B).

Çıkartılması (Şekil B ve C)

- Aleti elinize alın.

TÜRKÇE (Çevirisi orijinal talimatlardan yapılmıştır)

- Muhafaza desteğindeki vidayı (9) gevşetin.
- Muhafazayı, çıkıntı oyuğun içine girene kadar çevirin.
- Muhafazayı çıkartın.

Taşılama disklerinin takılması ve çıkartılması

(Şekil D, E)



Uyarı: Hasar görmüş olan taşılama disklerini kullanmayın.

- Taşılama makinesini, oluğu yukarı bakacak şekilde bir çalışma tezgahına yatırın.
- İç flanş (11) uç tutucunun (12) üzerine doğru bir şekilde takın (Şekil D).
- Taşılama diskini iç flanşın (11) üzerine yerleştirin. Yüksek merkezli bir taşılama diskini takarken yüksek merkezin iç baktığından emin olun.
- Zımpara kağıdını kauçuk taban üzerine yerleştirin.
- Dış flanş (14) uç tutucuya (12) kadar vidalayın (Şekil E). Taşılama diskini takarken dış flanşın (14) üst kısmındaki halkası diske bakmalıdır.
- Mil kilidi düğmesini (5) basılı tutun ve mili (12) yerinde kilitlene kadar sabitleyin.
- Çift pimli anahtar yardımıyla dış flanş (14) sıkın.

Çalıştırmadan önce

- Muhafazayı ve uygun diski takın. Fazla aşınmış diskleri kullanmayın.
- Hasar görmüş olan bir aksesuarı kullanmayın. Her kullanımdan önce aksesuarları inceleyin. Elektrikli alet ya da aksesuar düşürülürse, hasar olup olmadığını kontrol edin ya da sağlam aksesuar takın. Aksesuarın incelenmesi ve monte edilmesinden sonra kendinizi ve etraftaki kişileri dönen aksesuarın düzleminden uzakta yerleştirin ve bir dakika boyunca elektrikli aleti boşta ve maksimum hızda çalıştırın. Bu test süresince hasarlı aksesuarlar normal olarak kırılarak dağılacaktır.
- İç ve dış flanşın düzgün takıldığından emin olun.
- Diskin, aksesuar ve aletin üzerindeki oklar yönünde dönmeye dikkat edin.
- Kesme disklerini yandan taşılama yapmak için kullanmayın.
- Kullanımdan kaynaklanan kıvılcımların insanlara çarpmak veya yanıcı maddeleri tutuşturmak gibi tehlikeler oluşturmadığından emin olun.

Kullanımı (Şekil F)

Kullanım talimatları



UYARI: Güvenlik talimatlarına ve geçerli yönetmeliklere daima uyun.



UYARI: Ciddi yaralanma riskini azaltmak için herhangi bir ayar yapmadan ya da parça veya aksesuarları söküp takmadan önce aleti kapatın ve güç kaynağından ayırın. Aleti yeniden bağlamadan önce aletin kapalı olduğundan emin olmak için tetiğe basıp bırakın.



UYARI:

- Taşlanacak tüm malzemelerin yerlerine sıkıca sabitlendiklerinden emin olun.
 - Alete yalnızca hafif bir baskı uygulayın. Aşındırıcı diske yanal basınç uygulamayın.
 - Aşırı yüklemekten kaçının. Alet çok fazla ısındığında yüksüz durumdayken birkaç dakika çalıştırın.
1. Aleti iki elinizle sıkıca tutun (bir el alet gövdesinin, diğer el yan kolun üzerinde olacak şekilde). Aleti çalıştırın ve taşılama diskini iş parçasının üzerine getirin.
 2. İş parçasının yüzeyine karşı 15 ila 30 derece arasında açı ile disk kenarını eğimli tutun.
 3. Yeni bir taşılama diskini kullanırken B yönünde çalışmayın, aksi takdirde disk iş parçasını kesebilir. Diskin kenarı yuvarlanmış olduktan sonra her yönünde, A ya da B, serbestçe çalışabilirsiniz.

Açılması ve kapatılması (Şekil A)



UYARI: Aleti kullanmadan önce yan kolun iyice sıkıldığından emin olun. Açma/kapama tetiğin düzgün çalıştığını kontrol edin.

Aleti çalıştırmak için kesintisiz çalışma düğmesine (2), sonra açma/kapama tetiğine (1) basın; Aleti kapatmak için tetiğe basın ve bırakın, çalışmasını durduracaktır.

Açılması



DİKKAT: Daya iyi kontrol sağlamak için aleti çalıştırırken, kullanımı sırasında ve diskin veya aksesuarın dönmeye durana kadar aletin gövdesini sıkı bir şekilde tutun. Disk tamamen durmadıkça elektrikli aleti asla yere koymayın.

Açma/kapama tetiği (1)



UYARI: Elektrik prizine takmadan önce açma/kapama tetiğin ön kısmını basıp bırakarak elektrikli aletin kapalı olduğundan mutlaka emin olun. Devre kesicinin çalışması, yanlışlıkla prizden çıkartma veya güç kesintisi gibi herhangi bir elektrik kesintisi sonrasında yukarıda açıklandığı gibi açma/kapama tetiğin kapalı olduğundan emin olun. Alet güç kaynağına bağlanırken tetik açık konumunda kilitle ise, alet hemen çalışmaya başlayacaktır.

Aleti çalıştırmak için kesintisiz çalışma düğmesine (2) basın ve daha sonra açma/kapama tetiğe (1) basın.

Açma/kapama tetiğin özelliği

Aleti çalıştırmak için kesintisiz çalışma düğmesine (2) basın ve daha sonra açma/kapama tetiğe (1) basın. Aleti durdurmak için tetiğe (1) basın ve bırakın – kesintisiz çalışma düğmesi (2) yukarı kalkacak ve alet çalışmasını durduracaktır.

Açıklama: Üzerinde çalıştığınız malzeme ile temas etmeden önce, aşındırıcı disk maksimum hızda döndüğünden emin olun. Kapatmadan önce aleti üzerinde çalıştığınız malzemeden kaldırın.



DİKKAT: Aleti yere bırakmadan önce aşındırıcı disk dönüştüğünden emin olun.

Döner vites kutusu (Şekil F)

Vites kutusu aletin gövdesi üzerine monte edilir ve kesim esnasında kullanıcıya rahat bir deneyim sunmak için döndürülebilir.

Döner vites kutusu sağa veya sola 90, 180 ve 270 derece dönebilir.

- Vites kutusu üzerindeki dört vidayı gevşetin.
- En uygun konuma ulaşına kadar vites kutusunu döndürün.
- Vites kutusu üzerindeki dört vidayı sıkın.
- Dönme mekanizmasının kilitli olduğundan emin olun.



UYARI: Vites kutusu kilitli olmadığında aleti KULLANMAYIN.

Mil kilidi (Şekil A)

Mil kilidi düğmesi (5), diskleri takıp çıkarırken milin dönmelerini engellemek için sağlanmıştır. Mil kilidini yalnızca alet kapalıyken, güç kaynağından ayırık durumdayken ve tamamen durduktan sonra kullanın.

NOT: Aletin hasar görmesini engellemek için alet çalışırken mil kilidini kullanmayın. Aletin hasar göreceği ve takılı aksesuar yerinde çıkarak yaralanmaya neden olabilecektir.

Kilidi devreye almak için mil kilidi düğmesine basın ve mili artık daha fazla döndüremeyecek duruma gelene dek döndürün.

Metal Uygulamaları

Aleti metal uygulamalarda kullanırken metal talaşının neden olduğu kalıcı riskleri engellemek için bir artık akım aygıtının (RCD) takılı olduğundan emin olun.

Artık akım aygıtının (RCD) tarafından güç kaynağı kapatılırsa aleti yetkili STANLEY servisine götürün.



UYARI: Uç çalışma koşullarında, metalle çalışırken makine gövdesinde iletken toz birikebilir. Bu ise makinenin içindeki koruyucu izolasyonun bozulmasına ve olası elektrik çarpması risklerine neden olabilir. Makinenin içinde metal talaşı birikmesini engellemek için havalandırma deliklerini her gün temizlemenizi tavsiye ederiz. Bakım kısmına bakınız.

BAKIM

STANLEY elektrikli aletiniz minimum bakımla uzun bir süre çalışacak şekilde tasarlanmıştır. Kesintisiz olarak memnuniyet verici bir şekilde çalışması gerekli özenin gösterilmesine ve düzenli temizliğe bağlıdır.



UYARI: Ciddi yaralanma riskini azaltmak için herhangi bir ayar yapmadan ya da parça veya aksesuarları söküp takmadan önce aleti kapatın ve güç kaynağından ayırın. Aleti yeniden bağlamadan önce aletin kapalı olduğundan emin olmak için tetiğe basıp bırakın. Aletin yanlışlıkla çalıştırılması yaralanmaya neden olabilir.



Yağlama

Elektrikli aletinizin ek bir yağlama gerektirmemektedir.



Temizleme



UYARI: Havalandırma deliklerinde ve etrafında toz toplanması halinde bu tozu ve kiri kuru hava kullanılarak ana gövdeden uzaklaştırın. Bu işlemi gerçekleştirirken onaylı bir göz koruması ve onaylı toz maskesi takın.



UYARI: Aletin metalik olmayan parçalarını temizlemek için asla çözücü veya başka sert kimyasal kullanmayın. Bu kimyasallar bu parçalarda kullanılan malzemeleri güçsüzleştirir. Yalnızca su ve yumuşak sabunla nemlendirilmiş bir bez kullanın. Aletin içine sıvı kaçmasına kesinlikle izin vermeyin; aletin herhangi bir parçasını bir sıvı içine daldırmayın.

İlave Aksesuarlar



UYARI: STANLEY tarafından tedarik veya tavsiye edilenler dışındaki aksesuarlar bu ürün üzerinde test edilmediğinden, söz konusu aksesuarların bu aletle birlikte kullanılması tehlikeli olabilir. Yaralanma riskini azaltmak için bu ürünle birlikte sadece STANLEY tarafından tavsiye edilen aksesuarlar kullanılmalıdır.

Uygun aksesuarlarla ilgili daha ayrıntılı bilgi için bayiinize danışın.

Çevrenin korunması



Ayrı olarak atın. Bu ürün, normal evsel atıklarla birlikte atılmamalıdır.

STANLEY ürününüzün değiştirilmesi gerektiğini düşünmeniz veya artık kullanılamaz durumda olması halinde onu, evsel atıklarla birlikte atmayın. Bu ürünü, ayrı olarak toplanacak şekilde atın.



STANLEY, hizmet ömrünün sonuna ulaşan STANLEY ürünlerinin toplanması ve geri dönüşüme sokulması için bir imkân sunmaktadır. Bu hizmetin avantajlarından faydalanmak için, lütfen, ürününüzü bizim adımıza teslim alacak herhangi bir yetkili servise iade edin.

Bu kılavuzda belirtilen listeden size en yakın STANLEY yetkili tamir servisinin yerini öğrenebilirsiniz. Ya da, alternatif olarak internet'ten STANLEY yetkili tamir servislerinin listesini ve satış sonrası hizmetlerimizle ilgili tüm bilgiler ve temas bilgilerine aşağıdaki siteden ulaşabilirsiniz. www.2helpU.com

Notlar

STANLEY olarak, ürünlerimizi sürekli iyileştirme politikası uyguladığımızdan, önceden haber vermeden ürün özelliklerini değiştirme hakkını saklı tutarız.

Standart ekipman ve aksesuarlar ülkeye göre değişebilir.

Ürün özellikleri ülkelere göre farklı olabilir.

Komple ürün çeşidi tüm ülkelerde geçerli olmayabilir. Ürün çeşidi durumu hakkında lütfen en yakın STANLEY yetkili servisimize temas kurun.

TEKNİK ÖZELLİKLERİ

TAŞLAMA MAKİNESİ		SGM146
Voltaj	V_{AC}	220-240
Frekans	Hz	50/60
Giriş gücü	W	1400
Nominal hız	dev/dak.	9500
Disk çapı	mm	150
Taşlama diski kalınlığı	mm	6
Mil çapı		M14
Ağırlık	kg	3,1

EN60745-2-3'e göre tespit edilen toplam gürültü ve titreşim değerleri (üç yönün vektör toplamı):

L_{PA} (ses basıncı düzeyi) dB(A)	94,0
L_{WA} (akustik güç düzeyi) dB(A)	105,0
K (akustik güç belirsizliği) dB(A) 3	

Yüzey taşlama

Titreşim emisyon değeri $ah, AG = m/s^2$ 9,3

Belirsizlik $K = m/s^2$ 1,5

Шлифование диском

Значения вибрационного воздействия $ah, DS = m/c^2$ 2,7

Погрешность $K = m/c^2$ 1,5

Bu bilgi sayfasında verilen titreşim emisyon düzeyi, EN 60745'te sağlanan standart teste uygun olarak ölçülmüştür ve aletleri birbiriyile karşılaştırmak için kullanılabilir. Ön maruziyet değerlendirmesi için kullanılabilir.

UYARI: Beyan edilen titreşim emisyon düzeyi, aletin ana uygulamalarını yansıtır. Ancak alet farklı aksesuarlarla farklı uygulamalar için kullanılırsa veya bakımı kötü yapılırsa, titreşim emisyonu değişebilir. Bu, toplam çalışma süresindeki maruziyet düzeyini önemli ölçüde artırabilir.

Tahmini titreşim maruziyeti, aletin kapalı kaldığı veya çalışmasına karşın iş görmediği zamanları da dikkate almalıdır. Bu, toplam çalışma süresindeki maruziyet düzeyini önemli ölçüde azaltabilir.

Kullanıcıyı titreşim etkilerinden korumak için belirtilen ek güvenlik önlemlerini alın: aletin ve aksesuarların bakımını yapın, elleri sıcak tutun, çalışma modellerini düzenleyin.

AT Uygunluk Beyanati
MAKİNE DİREKTİFİ**SGM146 – Taşlama Makinesi**

STANLEY, «teknik özellikleri» bölümünde açıklanan bu ürünlerin aşağıda belirtilen yönergelere uygun olduğunu beyan eder: EN 60745-1:2009+ A11:2010, EN 60745-2-3:2011+A12:2014

Bu ürünler ayrıca 2004/108/EC, 2014/30/EU ve 2011/65/EU Direktiflerine de uygundur.

Daha fazla bilgi için, lütfen aşağıdaki adresten STANLEY ile irtibata geçin veya kılavuzun arkasına bakın. Bu belge altında imzası bulunan yetkili, teknik dosyanın derlenmesinden sorumludur ve bu beyanı STANLEY adına vermiştir.

R.Laverick

Mühendislik Bölümü Müdürü
STANLEY Europe, Egide Walschaertsstraat 14-18,
2800 Mechelen, Belçika
01.2017

Servis bilgileri

STANLEY kendisine ait servis merkezleri ve/veya yetkili servisleriyle tam bir ağı sunmaktadır. Tüm STANLEY Servis Merkezleri müşterilere etkili ve güvenilir elektrikli el aleti hizmeti sunmak için eğitilmiş personel ile donatılmıştır. Eğer teknik danışmanlık, onarım veya orijinal fabrika yedek parçası ihtiyacınız varsa, size en yakın STANLEY merkezine başvurun.

İki yıl garanti

Sahip olduğunuz STANLEY ürünü satın alma tarihinden itibaren 24 ay içinde hatalı malzeme veya işçilik nedeniyle bozulursa, STANLEY aşağıdaki şartlara uyulması koşuluyla ücretsiz olarak tüm kusurlu parçaların yenilenmesini veya -kendi inisiyatifine bağlı olarak- satın alınan ürünün değiştirilmesini garanti eder:

- Ürün, hatalı kullanılmamış kullanım kılavuzuna uygun kullanılmıştır.
- Ürün yıpranmamış, hırpalanmamış ve aşınmamıştır;
- Yetkili olmayan kişilerce tamire çalışılmamıştır.
- Satın alma belgesi (fatura) ibraz edilmiştir;
- STANLEY ürünü, tüm orijinal parçaları ile birlikte iade edilmiştir;
- Ürün kiralama amacıyla kullanılmamıştır.

Garanti talebinde bulunmak için, lütfen satıcıyla irtibata geçin veya STANLEY katalogunda belirtilen size en yakın STANLEY yetkili satıcı adresini kontrol edin veya ürünün kılavuzunda belirtilen adresteki yerel STANLEY yetkili tamir servisi ile temas kurun. İnternet'ten STANLEY yetkili tamir servislerinin listesine ve satış sonrası hizmetlerimizle ilgili tüm bilgilerine aşağıdaki siteden ulaşabilirsiniz: www.2helpU.com

Sanayi ve Ticaret Bakanlığı tebliğince kullanım ömrü 7 yıldır.

Türkiye Distribütörü
STANLEY BLACK&DECKER TURKEY ALET ÜRETİM SAN.
TIC. LTD.STİ.

Kozyatağı Mh Değirmen Sk. Nida Kule
No:18 Kat:6 34742 Kadıköy İstanbul
Tel : (0216) 665 29 00
Faks : (0216) 665 29 01
E-posta: info-tr@sbdinc.com

Призначення

Кутова шліфмашина середнього розміру STANLEY SGM146 розроблена для обробки металу за допомогою кіл належного типу. Цей інструмент призначений для професійного використання.

Вказівки з техніки безпеки

Наведені нижче визначення описують рівень небезпеки за кожним сигнальним словом. Будь ласка, уважно прочитайте цей посібник та зверніть увагу на наступні знаки.



НЕБЕЗПЕЧНО! Вказує на неминуче небезпечну ситуацію, яка, якщо її не усунути, обов'язково призведе до серйозних травм або смерті.



ОБЕРЕЖНО! Вказує на потенційно небезпечну ситуацію, яка, якщо її не усунути, може призвести до серйозних травм або смерті.



УВАГА! Вказує на потенційно небезпечну ситуацію, яка, якщо її не усунути, може призвести до травм легкого та середнього ступеня тяжкості.

ПРИМІТКА. Вказує на дію, що не пов'язана з безпекою персоналу, але яка, якщо її не усунути, може привести до пошкодження майна.



Вказує на небезпеку ураження електричним струмом.



Вказує на небезпеку виникнення пожежі.



Обережно! Для зниження ризику травмування прочитайте цей посібник користувача.

Загальні правила техніки безпеки під час роботи з електричним інструментом



ОБЕРЕЖНО! Уважно прочитайте всі попереджувальні написи і вказівки щодо безпечної роботи. Недотримання вимог попереджувальних написів і вказівок щодо техніки безпеки може призвести до ураження електричним струмом, пожежі та/або серйозних травм.

Зберігайте всі попереджувальні написи та вказівки щодо безпечної роботи для використання в майбутньому. Термін «електричний інструмент», що використовується у всіх застережливих написах та вказівках щодо техніки безпеки, представлених нижче, відноситься до електричного інструменту, що працює від мережі (зі шнуром електроживлення) або від акумуляторної батареї (без шнура живлення).

1. Безпека робочого місця

- a. **Утримуйте робоче місце в чистоті і добре освітленим.** Безлад на робочому місці або відсутність освітлення робочого місця може призвести до аварії.
- b. **Не працюйте з електроінструментом в місці зберігання вибухонебезпечних матеріалів, наприклад, у присутності легкозаймистих рідин, газів або пилу.** Електричні інструменти створюють іскри, що можуть запалити пил або пари.
- c. **Діти і сторонні особи повинні знаходитися якнайдалі під час роботи з електроприладами.** Ви можете відволіктися і втратити контроль.

2. Електробезпека

- a. **Вилка електроінструмента повинна відповідати розетці. Ніколи не змінюйте вилку будь-яким чином. Не використовуйте ніякі вилки-перехідники з заземленими (замкнутими на землю) електроінструментами.** Вилки і розетки, які не піддавалися ніяким змінам знижують ризик ураження електричним струмом.
- b. **Уникайте контакту тіла з заземленими поверхнями, такими як труби, радіатори, плити та холодильники.** Існує підвищений ризик ураження електричним струмом, якщо ваше тіло заземлене.
- c. **Уникайте будь-якого впливу дощу або вологи на електроінструменти.** Вода, що потрапила в електроінструмент, збільшує ризик ураження електричним струмом.
- d. **Обережно поводьтеся зі шнуром живлення. Ніколи не використовуйте шнур живлення для перенесення, переміщення або вилучення вилки з розетки. Тримайте шнур подалі від джерел тепла, масла, гострих країв або рухомих частин.** Пошкоджені або заплутані шнури збільшують ризик ураження електричним струмом.
- e. **При роботі з електроінструментом на вулиці, використовуйте подовжувач, відповідний для зовнішнього використання.** Використання кабелю, придатного для використання на відкритому повітрі, знижує ризик ураження електричним струмом.
- f. **При необхідності роботи з електроінструментом у вологому середовищі, використовуйте пристрій захисного відключення (ПЗВ).** Використання ПЗВ знижує ризик ураження електричним струмом.

3. Особиста безпека

- a. **Будьте уважні, дивіться, що ви робите, використовуйте здоровий глузд при роботі з електроприладами. Не використовуйте електроінструмент, якщо ви втомилися або перебуваєте під впливом наркотиків, алкоголю або ліків.** Найменша необережність при роботі з електроінструментом може призвести до серйозних травм.
- b. **Використовуйте засоби індивідуального захисту. Завжди надягайте захисні окуляри.** Інше захисне обладнання, включаючи респіратор, черевики на нековзній підшві, захисний шолом або засоби захисту органів слуху, використовувати в належних умовах, зменшать ризик отримання травми.
- c. **Для запобігання випадкового запуску, переконайтеся, що перемикач знаходиться у вимкненому положенні перед підключенням до джерела живлення та/або акумуляторної батареї, підняття або перенесення інструменту.** Не переносьте електроінструмент з пальцем на вимикачі і не включайте електроживлення на інструмент з увімкненим вимикачем, що може призвести до нещасного випадку.
- d. **Перед включенням електроінструменту знімайте регульовальний або гайковий ключ.** Гайковий або регульовальний ключ, залишений на обертовій частині електроінструменту, може призвести до травми.
- e. **Не тягніться.** Зберігайте правильну стійку і баланс весь час. Це дозволяє краще контролювати інструмент в несподіваних ситуаціях.
- f. **Одягайтеся правильно. Не надягайте вільний одяг або прикраси.** Тримайте волосся, одяг і рукавички далеко від рухомих частин. Вільний одяг, прикраси або довге волосся можуть потрапити в рухомі частини.
- g. **Якщо є пристрої для підключення пілзбірника або витяжки, переконайтеся в тому, що вони під'єднані і використовуються правильно.** Використання пілзбірника знижує ймовірність виникнення ризиків, пов'язаних з пилом.

4. Використання та догляд за електроінструментом

- a. **Не перевантажуйте електроінструмент. Використовуйте відповідний електричний інструмент для відповідного застосування.** Правильно підібраний електроінструмент дозволить виконати роботу краще і безпечніше при швидкості, для якої він був розроблений.
- b. **Не використовуйте електроінструмент, якщо перемикач не може його включити і вимкнути.**

Будь-який електроінструмент, який не можна контролювати за допомогою перемикача, є небезпечний і повинен бути відремонтований.

- c. **Від'єднайте кабель живлення від джерела живлення та/або акумулятора від електричного інструменту перед виконанням будь-яких регулювань, заміни приладдя або при зберіганні електроінструменту.** Такі профілактичні заходи безпеки зменшують ризик ненавмисного запуску електричного інструменту.
- d. **Зберігайте електроприлади в недоступному для дітей місці і не дозволяйте особам, які не знайомі з електричним інструментом або даними інструкціями, працювати з електроприладами.** Електроінструменти небезпечні в руках недосвідчених користувачів.
- e. **Підтримання електроінструменту. Перевіряйте розрегульованість або з'єднання рухомих частин, поломки частин і будь-які інші умови, які можуть вплинути на роботу електроінструменту. При наявності пошкодження, відремонтуйте електроінструмент перед використанням.** Багато нещасних випадків є наслідком поганого догляду за електроінструментом.
- f. **Тримайте ріжучий інструмент гострим і чистим.** Добре доглянутий ріжучий інструмент з гострими ріжучими крайками легше контролювати.
- g. **Використовуйте електроприлади, приладдя, насадки і т.д. у відповідності з цими інструкціями, беручи до уваги робочі умови та характер виконуваної роботи.** Використання електроінструменту іншим способом може призвести до небезпечних ситуацій.

5. Обслуговування

- a. **Обслуговувати електричний інструмент повинен тільки кваліфікований ремонтний персонал, і при цьому повинні використовуватися тільки оригінальні запасні деталі.** Це стане гарантією безпеки електроінструменту.

ДОДАТКОВІ СПЕЦІАЛЬНІ ПРАВИЛА ТЕХНІКИ БЕЗПЕКИ

- a. **Цей електричний інструмент призначений для використання в якості шліфувальної машини. Уважно вивчіть всі попереджувальні знаки, вказівки щодо безпечної роботи, графічні матеріали та технічні описи, що додаються до даного електричного інструменту.** Недотримання вказівок щодо безпечної роботи може призвести до ураження електричним струмом, пожежі та/або серйозних травм персоналу.

- b.** Цим електричним інструментом не рекомендується виконувати такі операції як полірування, різання або оброблення дрютяною щіткою. Операції, на які не розрахована конструкція цього електричного інструменту, можуть призвести до виникнення аварійної ситуації та травм персоналу.
- c.** Не використовуйте приладдя, що не були розроблені та не рекомендовані виробником інструменту. Якщо приладдя можна встановити на ваш інструмент, це ще не є гарантією безпечної роботи.
- d.** Номінальна швидкість приладдя повинна щонайменше дорівнювати максимальній швидкості, зазначеній на електричному інструменті. Приладдя, що працює зі швидкістю, яка перевищує свою номінальну швидкість, може зруйнуватися та розлетітися в сторони.
- e.** Зовнішній діаметр та товщина приладдя повинні лежати в межах характеристик вашого електричного інструменту. Приладдя неправильного розміру не може бути належним чином захищене запобіжним щитком, і його роботу неможливо нормально контролювати.
- f.** Різьбове кріплення приладдя має збігатися з різьбою шпинделя шліфувальної машини. Для приладдя, що кріпиться за допомогою фланців, центровий отвір має відповідати кріпильному діаметру фланця. Приладдя, що не збігається з елементами кріплення електричного інструменту, буде розбалансованим, буде відчувати надмірні вібрації та може стати причиною втрати контролю за інструментом.
- g.** Забороняється використовувати пошкоджене приладдя. Перед початком роботи завжди перевіряйте приладдя, наприклад, абразивне коло, на відсутність сколів та тріщин. У випадку падіння електричного інструменту та приладдя перевірте їх на наявність пошкоджень або замініть пошкоджене приладдя. Після перевірки та установки приладдя весь персонал повинен відійти у бік від площини обертання приладдя, після чого необхідно ввімкнути електричний інструмент на максимальну швидкість холостого ходу без навантаження. Негайно припиніть роботу, якщо шліфмашина сильно вібує або демонструє інші ознаки несправності. Перевірте шліфмашину і з'ясуйте причину несправності. Зберігайте абразивні кола у безпечному сухому місці, недоступному для дітей. Пошкоджене приладдя за цей час зазвичай розлітається.
- h.** Використовуйте засоби індивідуального захисту. Залежно від способу використання,
- використовуйте лицьовий щиток, відкриті або закриті захисні окуляри. У разі необхідності надягайте пилозахисну маску, засоби захисту органів слуху, захисні рукавички та робочий фартух, що здатні зупинити дрібні абразивні частки або осколки робочої деталі. Засіб захисту очей повинен зупиняти частинки, що розлітаються, які з'являються під час роботи. Пилозахисна маска або респіратор мають відфільтровувати частинки, які утворюються під час роботи. Тривалий вплив сильного шуму може призвести до погіршення слуху.
- i.** Інші особи повинні перебувати на безпечній відстані від робочої зони. Будь-які особи, які входять до робочої зони, повинні використовувати засоби індивідуального захисту. Осколки робочої деталі або зруйнованого приладдя можуть розлітатися і стати причиною травмування персоналу за межами безпосередньої зони роботи.
- j.** Під час виконання робіт, коли ріжуче коло може контактувати з прихованою електропроводкою, інструмент необхідно тримати за ізольовані частини. При контакті ріжучої деталі з проводом, що знаходиться під напругою, під напругу можуть потрапити металеві деталі електричного інструменту, внаслідок чого виникає небезпека ураження оператора електричним струмом.
- k.** Розташуйте шнур подалі рухомих деталей. У разі втрати контролю можливе обрізання шнура або оголення проводів, а ваша рука може постраждати від контакту з рухомими деталями.
- l.** Ніколи не кладіть електроінструмент до повної зупинки рухомих деталей. Рухомі деталі можуть захопити частину поверхні, в результаті чого інструмент виїде з-під контролю.
- m.** При роботі з інструментом не беріть його збоку. При випадковому контакті обертового приладдя може порватися ваш одяг, і приладдя може бути втягнуте в тіло.
- n.** Регулярно очищуйте вентиляційні отвори електричного інструменту. Вентилятор двигуна може втягувати пил всередину його корпусу, і через надмірне скупчення металевого пилу може виникнути небезпека ураження електричним струмом.
- o.** Не використовуйте електроінструмент поблизу легкозаймистих матеріалів. Такі матеріали можуть займатися від іскор.
- p.** Не використовуйте приладдя, що потребує рідких охолоджувачів. Використання води та інших рідких охолоджувачів може призвести до ураження електричним струмом або навіть смерті.

ДОДАТКОВІ ВКАЗІВКИ ЩОДО БЕЗПЕЧНОГО ВИКОНАННЯ ВСІХ ОПЕРАЦІЙ**Причини віддачі і запобігання її оператором:**

Віддача — це миттєва реакція на затиснуте або застопорене обертове коло, підшву, щітку та інше приладдя. Затискання або стопоріння призводить до швидкої зупинки обертового приладдя, що, у свою чергу, призводить до того, що некерований електричний інструмент починає обертатися в напрямку, протилежному напрямку обертання приладдя, в точці зчеплення.

Наприклад, якщо шліфувальне коло застопорилося або було затиснуте робочою деталлю, край кола, який заходить в місце стопоріння, може поглибитися в поверхню матеріалу, що призведе до виштовхування або віддачі кола. Залежно від напрямку обертання кола в точці стопоріння, коло може стрибнути в напрямку оператора або від нього. У таких умовах шліфувальні кола можуть також руйнуватися.

Віддача є результатом неправильного використання інструменту та/або неправильної послідовності виконання дій та неправильних умов роботи, і може бути усунена при дотриманні заходів безпеки, зазначених нижче:

- a. **Не послаблюйте захоплення інструменту та встановіть такі положення корпусу вашого тіла, щоб він чинив опір силам віддачі. Завжди використовуйте додаткову рукоятку, якщо вона входить в комплект, щоб у максимальному ступені контролювати віддачу або реакцію від крутного моменту під час пуску.** Оператор може контролювати реакцію від крутного моменту або віддачу, якщо були зроблені належні запобіжні заходи.
- b. **Ваші руки в жодному разі не мають знаходитися поблизу обертового приладдя.** Приладдя може відскочити назад на вашу руку.
- c. **Не ставьте в зоні, куди ваш інструмент може піти при віддачі.** Віддача буде штовхати інструмент в напрямку, протилежному напрямку руху кола у місці стопоріння.
- d. **Будьте особливо уважними при роботі з кутами, гострими краями і т.п. Не допускайте стрибків та стопоріння приладдя.** Кути, гострі краї та підстрибування призводять до стопоріння обертового приладдя і втрати контролю або віддачі.
- e. **Забороняється прикріплювати до інструменту ніж ланцюгової пили для дерева або зубчастий пильний диск.** Такі диски швидко часто створюють віддачу та призводять до втрати контролю над інструментом.

Спеціальні вказівки щодо безпечного виконання шліфування

- a. **Використовуйте тільки ті типи кіл, які рекомендовані для вашого електричного інструменту, і конкретні запобіжні щітки, розроблені для даного кола.** Для кіл, які не відповідають конструкції вашого інструмента, не може бути встановлений належний запобіжний щиток, і тому використання таких кіл є небезпечним.
- b. **Шліфувальна поверхня кіл з втопленим центром має бути встановлена нижче площини запобіжного виступу.** Неправильно встановлене коло, що виступає за площину запобіжного виступу, не може бути належним чином огорожене.
- c. **Запобіжний щиток має бути надійно прикріплений до електричного інструменту та встановлений в положення максимального забезпечення безпеки, при якому до оператора буде звернена найменша відкрита частина кола.** Запобіжний щиток допомагає захищати оператора від частинок кола, від випадкового контакту з колом та від іскор, від яких може загорітися одяг.
- d. **Кола повинні використовуватися тільки в тих випадках, коли вони рекомендовані до застосування. Наприклад: не можна виконувати шліфування стороною відрізного кола.** Абразивні відрізни кола призначені для шліфування периферією кола, і поперечні сили, прикладені до такого кола, можуть призвести до його руйнування.
- e. **Завжди використовуйте тільки справні фланці для кіл, розмір та форма яких відповідають обраному колу.** Правильно вибраний фланець є опорою для кола, завдяки чому зменшується ймовірність руйнування кола. Фланці для відрізних кіл можуть відрізнятись від фланців для шліфувальних кіл.
- f. **Забороняється використовувати зношені кола від електричних інструментів більшого розміру.** Коло, призначене для інструменту більшого розміру, не підходить для більшої швидкості інструменту меншого розміру та може зруйнуватися.

Додаткові вказівки з техніки безпеки

- Цей інструмент не призначений для виконання робіт з обробки дротяною щіткою або чашковою дротяною щіткою.



ОБЕРЕЖНО! Ми рекомендуємо використовувати пристрій захисного відключення з номінальним струмом відключення до 30 мА.

ЗАЛИШКОВИЙ РИЗИК

Навіть при дотриманні всіх відповідних правил техніки безпеки та використанні захисних пристроїв деякий залишковий ризик все ж залишається. Це наступні види небезпеки:

- погіршення слуху
- небезпека травмування персоналу частинками, що розлітаються.
- небезпека опіків внаслідок нагрівання приладдя під час роботи.
- небезпека травмування персоналу внаслідок тривалої роботи.
- небезпека, що виникає від пилу шкідливих речовин.

Наклейки на інструменті

На додаток до піктограм у цьому посібнику, на шліфмашині розташовані наклейки наступного змісту.



Перед використанням прочитайте посібник з експлуатації.



Вдягайте захисні окуляри.



Застосуйте засоби захисту органів слуху.

Розташування дати (рис. А)

Штрих-код з датою (16), який також включає рік виготовлення, надрукований на корпусі.

Приклад:

2017 XX XX

Дата виготовлення Комплект поставки

ДО КОМПЛЕКТУ ПОСТАВКИ ВХОДЯТЬ

1 кутова шліфувальна машина

1 запобіжний щиток

1 бічна рукоятка

1 набір фланців

1 ключ з двома штифтами

1 інструкція з експлуатації

- Перевірте шліфмашину, деталі та приладдя на відсутність пошкоджень внаслідок транспортування.
- Перед початком експлуатації уважно прочитайте посібник користувача.

Опис (рис. А)



ОБЕРЕЖНО! Не змінюйте конструкцію інструмента або його частини. Це може призвести до травмування.

- 1 Вимикач
- 2 Кнопка фіксації
- 3 Бічна рукоятка
- 4 Запобіжний щиток
- 5 Кнопка фіксації шпинделя

Електрична безпека

Цей інструмент живиться тільки однією напругою. Переконайтесь, що мережева напруга відповідає значенню, зазначеному в таблиці з паспортними даними.



Ваша шліфмашина Stanley обладнана подвійною ізоляцією, тому заземлення не потрібне.

У разі виходу з ладу мережевого шнура відправте його в сервісний центр STANLEY для заміни на спеціальний кабель.

ВИКОРИСТАННЯ ПОДОВЖУВАЧА

Завжди використовуйте тільки трьохдротовий затверджений до застосування подовжувач, який відповідає вхідний (споживаній) потужності цього інструменту (див. Технічні дані). Мінімальний перетин кабелю має бути 1,5 мм², максимальна довжина — 30 метрів.

У разі використання кабельної котушки завжди розмотуйте подовжувач до кінця.

ЗБИРАННЯ ТА НАЛАШТУВАННЯ



ОБЕРЕЖНО! Щоб запобігти травмуванню, перед початком регулювання або зняття/встановлення приладдя завжди вимикайте шліфмашину та від'єднуйте джерело живлення. Перед повторним вмиканням інструменту натисніть і відпустіть пусковий вимикач, щоб переконатися, що інструмент вимкнений. Раптове вмикання шліфмашини може призвести до травмування.

Кріплення рукоятки (рис. F)



ОБЕРЕЖНО! Перед використанням інструменту перевірте, чи надійно закріплена рукоятка.



ОБЕРЕЖНО! Бічну рукоятку слід використовувати завжди, щоб надійно утримувати шліфмашину під час роботи.

Закрутіть до упору бічну рукоятку (3) в отвір (15) на одному з боків корпусу редуктора.

Встановлення та зняття захисного щитка



ОБЕРЕЖНО! Працювати зі шліфмашинною без захисного щитка заборонено.

Встановлення (рис. В і С)

- Установіть кутову шліфувальну машину на верстак шпинделем догори.
- Відцентруйте виступи (6) з допомогою прорізи (7).
- Натисніть на щиток (4) та поверніть його у напрямку, показаному стрілкою (рис. В).

Зняття (рис. В і С)

- Утримуйте інструмент рукою.
- Послабте гвинт (9) на кільці запобіжного щитка.
- Повертайте щиток, доки виступ не буде зіставлений з прорізом.
- Зніміть щиток.

Встановлення та зняття шліфувальних кіл (рис. D, E)



ОБЕРЕЖНО! Забороняється використовувати пошкоджені кола.

- Встановіть кутову шліфувальну машину на верстак пазом вгору.
- Встановіть внутрішній (11) на вихідний вал (12) у правильному положенні Рис. D
- Встановіть шліфувальне коло на внутрішній фланець (11). При встановленні кола з піднятим центром переконайтеся, що піднятий центр направлений до фланця.
- Установіть наждакове коло на гумову основу кола.
- Затягніть зовнішній фланець (14) до вихідного валу (12) (рис. E). При встановленні шліфувального кола кільце на верхній частині зовнішнього фланця (14) має бути направлено до кола.
- Натисніть кнопку фіксації шпинделя (5) для запобігання обертанню шпинделя (12).
- Затягніть зовнішній фланець (14) за допомогою двохштифтового ключа

Підготовка до роботи

- Встановіть захисний щиток та відповідне коло. Не використовуйте занадто зношені кола.
- Забороняється використовувати пошкоджене приладдя. Перед початком роботи завжди перевіряйте приладдя. У випадку падіння електричного інструменту та приладдя перевірте їх на наявність пошкоджень або замініть пошкоджене приладдя. Після перевірки та установки приладдя весь персонал повинен відійти у бік від площини обертання приладдя, після чого необхідно ввімкнути електричний інструмент на максимальну швидкість холостого ходу без навантаження. Пошкоджене приладдя за цей час зазвичай розлітається.
- Перевірте, чи правильно встановлені внутрішній та зовнішній фланці.
- Переконайтеся, що абразивне або шліфувальне коло обертається в напрямку, вказаному стрілками на приладді та інструменті.
- Не виконуйте шліфування бічною поверхнею обрізного кола.

- Переконайтеся, що іскри під час роботи не створюють небезпеки, наприклад, не потрапляють на людей або не займають горючі речовини.

Робота (рис. F)

Інструкція



ОБЕРЕЖНО! Завжди дотримуйтесь вказівки щодо безпечної роботи та відповідних норм.



ОБЕРЕЖНО! Щоб запобігти травмуванню, перед початком регулювання або зняття/встановлення приладдя завжди вимикайте шліфмашину та від'єднуйте джерело живлення. Перед повторним вмиканням натисніть і відпустіть пусковий вимикач, щоб переконаватися, що інструмент вимкнений.



ОБЕРЕЖНО!

- Перевірте, щоб всі матеріали, що підлягають шліфуванню, були закріплені.
 - Прикладайте помірні зусилля до інструмента. Не прикладайте бічне зусилля до абразивного кола.
 - Уникайте перевантажень. Якщо інструмент нагрівся, дайте йому попрацювати декілька хвилин без навантаження.
1. Міцно тримайте інструмент двома руками (однією рукою тримайте корпус, іншою — рукоятку). Увімкніть інструмент та підведіть коло до робочої деталі.
 2. Підтримуйте кут нахилу кола відносно поверхні робочої деталі в межах 15—30 градусів.
 3. При використанні нового кола не працюйте з ним в напрямку В, інакше воно почне врізатися в робочу деталь. Коли край кола стане заокругленим, шліфувальну машину можна буде використовувати як в напрямку А, так і в напрямку В.

Запуск і зупинка (рис. А)



ОБЕРЕЖНО! Перед використанням інструменту переконайтеся, що рукоятка надійно закріплена. Перевірте, чи нормально працює вимикач.

Для увімкнення інструмента натисніть кнопку фіксації (2), і натисніть пусковий вимикач (1). Щоб вимкнути шліфмашину, натисніть та відпустіть пусковий вимикач.

Ввімкнення



УВАГА! Тримайте міцно корпус інструмента і належним чином керуйте ним при запуску, під час роботи і до повної зупинки кола або приладдя. Перш ніж покласти інструмент, переконайтеся, що коло повністю зупинилося.

Вимикач (1) з автоматичною фіксацією



ОБЕРЕЖНО! Перед під'єднанням до джерела живлення переконайтеся, що пусковий вимикач вимкнений. Для цього натисніть на передню частину перемикача. Встановлюйте вимикач у вимкнене положення, як описано вище, після кожного відключення живлення інструменту, наприклад, спрацювання автоматичного вимикача, випадкове випадання вилки шнура з розетки або збій живлення. Якщо вимикач встановлений у ввімкнене положення в момент підключення джерела живлення, шліфмашина різко ввімкнеться.

Щоб увімкнути інструмент, натисніть кнопку фіксації (2) і натисніть вимикач (1).

Функція «Блокування» перемикача ВВІМК/ВИМК

Щоб увімкнути інструмент, натисніть кнопку фіксації (2) і натисніть пусковий вимикач (1). Щоб вимкнути шліфмашину, натисніть і відпустіть пусковий вимикач (1), кнопка фіксації (2) автоматично вимкне фіксацію та інструмент зупиниться.

Пояснення. Перш ніж абразивне коло вступить в контакт з оброблюваною деталлю, переконайтеся, що інструмент працює на повних обертах. Перш ніж вимкнути інструмент, підійміть його вгору над оброблюваною деталлю.



УВАГА! Перш ніж покласти інструмент, переконайтеся, що коло повністю зупинилося.

Поворот корпусу редуктора (рис. F)

Корпус редуктора встановлений на корпусі інструменту, і він може повертатися на ньому, що забезпечує для оператора більш зручне положення під час різання.

Корпус редуктора можна повертати на 90 градусів, на 180 градусів і на 270 градусів як за годинниковою, так і проти годинникової стрілки.

- Відпустіть чотири гвинти на корпусі редуктора.
- Повертайте корпус редуктора до тих пір, поки він досягне оптимального положення.
- Затягніть чотири гвинти на корпусі редуктора.
- Перевірте, щоб поворотний механізм був заблокований.



ОБЕРЕЖНО! ЗАБОРОНЯЄТЬСЯ використовувати інструмент, коли положення корпусу редуктора не зафіксовано.

Фіксація шпинделя (рис. A)

Фіксація шпинделя (5) запобігає обертанню шпинделя під час встановлення або зняття кола. Використовуйте фіксацію шпинделя лише коли інструмент вимкнений,

відключений від джерела живлення, а вал повністю зупинений.



ПРИМІТКА. Не застосовуйте фіксацію шпинделя, коли вал шліфмашини обертається. Якщо це зробити, шліфмашина зазнає ушкоджень, а закріплене на валу коло може від'єднатися і травмувати людей.

Щоб задіяти фіксацію шпинделя, натисніть кнопку фіксації і обертайте шпиндель, доки не відчуєте, що він зафіксований.

Обробка металу

При використанні інструменту для обробки металів переконайтеся у встановленні пристрою захисного відключення (ПЗВ) для запобігання небезпечному впливу металевої стружки.

У разі спрацювання пристрою захисного відключення зверніться у офіційний сервісний центр STANLEY.



ОБЕРЕЖНО! В тяжких умовах експлуатації при роботі з металом всередині корпусу шліфмашини може накопичуватися пил, що проводить струм. Це може привести до погіршення захисної ізоляції шліфмашини та ураження електричним струмом. Щоб металічна стружка не накопичувалася всередині шліфмашини, рекомендуємо щоденно очищати вентиляційні отвори в корпусі. Див. Технічне обслуговування.

ТЕХНІЧНЕ ОБСЛУГОВУВАННЯ

Конструкція вашого інструмента STANLEY розрахована на роботу протягом тривалого періоду часу при мінімальному технічному обслуговуванні. Тривала задовільна робота інструменту забезпечується належним доглядом та регулярним очищенням.



ОБЕРЕЖНО! Щоб запобігти травмуванню, перед початком регулювання або зняття/встановлення приладдя завжди вимикайте шліфмашину та від'єднуйте джерело живлення. Перед повторним вмиканням інструменту натисніть і відпустіть пусковий вимикач, щоб переконатися, що інструмент вимкнений. Раптове вмикання шліфмашини може призвести до травмування.



Змачення

Ваша шліфмашина не потребує додаткового змачення.



Очищення

ОБЕРЕЖНО! Видуйте бруд і пил з корпусу за допомогою сухого повітря під тиском по мірі накопичення бруду всередині і навколо вентиляційних отворів. При виконанні цієї процедури використовуйте засіб захисту очей і респіратор встановленого зразка.



ОБЕРЕЖНО! Забороняється використовувати розчинники та агресивні хімічні речовини для очищення неметалевих частин інструменту. Ці хімічні речовини можуть пошкодити компоненти шліфмашини. Використовуйте для очищення суху ганчірку та м'який мильний розчин. В жодному разі не допускайте попадання рідини всередину інструменту і не занурюйте інструмент будь-якою частиною в рідину.

Додаткове обладнання



ОБЕРЕЖНО! Оскільки приладдя сторонніх виробників, що не входять до переліку приладдя STANLEY, не було протестоване з цим продуктом, його використання може бути небезпечним. Для запобігання травмування використовуйте лише рекомендовані компанією STANLEY приладдя та обладнання.

Детальну інформацію про доступне приладдя можна дізнатися у офіційного дилера.

Захист навколишнього середовища



Окреме збирання. Цей продукт не можна викидати разом зі звичайним побутовим сміттям.

Якщо якимось ви вирішите, що ваш виріб фірми STANLEY має бути замінено, або він вам більше не потрібний, не викидайте його на смітник побутового сміття. Зробіть цей виріб доступним для спеціального збирання.



Компанія STANLEY має можливість для збору та переробки продуктів власного виробництва після закінчення їхнього терміну служби. Щоб скористатися цією послугою, поверніть виріб компанії в офіційний сервісний центр, які збирають відпрацьовані продукти за наш рахунок.

Ви можете знайти місцезнаходження найближчого до Вас сервісного центру, зв'язавшись з місцевим офісом компанії STANLEY за адресою, вказаною в цих інструкціях. Крім того, список офіційних сервісних центрів компанії STANLEY з усіма подробицями нашого післяпродажного обслуговування та контактною інформацією міститься в Інтернеті за адресою: www.2helpU.com

Примітка

Одним із принципів політики STANLEY є постійне вдосконалення наших продуктів, тому ми залишаємо за собою право змінювати характеристики наших продуктів без попереднього сповіщення.

Перелік стандартного та додаткового обладнання може відрізнитися в залежності від країни.

Технічні характеристики продукту в різних країнах можуть відрізнитися.

Повна лінійка продуктів може бути в наявності не у всіх

країнах. З питання наявності наших продуктів зверніться до дилерів STANLEY

ТЕХНІЧНІ ДАНІ

КУТОВА ШЛІФУВАЛЬНА МАШИНА СЕРЕДЬНОГО РОЗМІРУ		SGM146
Напруга	V _{зм.ст.}	220-240 В
Частота	Гц	50/60 Гц
Споживана потужність	Вт	1400
Номінальна швидкість	хв ⁻¹	9500
Діаметр кола	мм	150
Товщина шліфувального кола	мм	6
Діаметр шпінделя		M14
Вага	кг	3,1

Рівень звукового тиску згідно з EN60745-2-3:

Звуковий тиск (L_{рdA}) — 94,0 дБ(A), розкид (K) — 3 дБ(A)

Звукова потужність (L_{wA}) — 105,0 дБ(A), розкид (K) — 3 дБ(A)

Значення параметра вібраційної характеристики ah:

ah, AG = m/c² 9,3

розкид (K) = m/c² 1,5

Шліфування

Значення параметра вібраційної характеристики

ah DS = m/c² 2,7

Похибка K = m/c² 1,5

Рівні вібрації, зазначені в технічних даних і декларації відповідності, були виміряні згідно зі стандартним методом випробувань, викладеним в EN 60745, і можуть використовуватися для порівняння станків. Заявлений рівень вібрації може також використовуватися для попередньої оцінки її впливу.

Обережно! Рівень вібрації під час роботи станка може відрізнитися від заявленого, оскільки залежить від типу роботи. Рівень вібрації може бути вищим за встановлений.

Оцінку впливу вібрації для визначення заходів безпеки, необхідних за 2002/44/EC для захисту осіб, які постійно працюють за станком, слід проводити з урахуванням реальних умов і способу використання станка, беручи до уваги всі етапи робочого циклу, такі як час вимкнення та час неробочого ходу додатково до часу запуску.

Інформація з обслуговування

Компанія STANLEY пропонує широку мережу авторизованих сервісних центрів, якими володіє компанія. Всі сервісні центри STANLEY укомплектовані навченим персоналом, який виконує ефективне і надійне сервісне обслуговування власників електричних інструментів. З питань технічних консультацій, ремонту або придбання оригінальних деталей зверніться до найближчого представництва компанії STANLEY.

Декларація відповідності ЄС

ДИРЕКТИВА ДЛЯ МЕХАНІЧНОГО ОБЛАДНАННЯ



SGM146 - Кутова шліфмашина

Компанія Stanley Europe заявляє, що вироби, описані в розділі «Технічні дані», відповідають 2006/42/EC, EN 60745-1:2009 + A11:2010, EN 60745-2-17:2010.

Ці вироби також відповідають директивам 2014/30/EU та 2011/65/EU.

Для отримання більш детальної інформації зв'яжіться зі Stanley Europe за адресою, яка вказана нижче або на зворотній стороні інструкції.

Відповідальність за укладання переліку технічних даних і складання цієї декларації від імені компанії Stanley Europe несе особа, що підписалася нижче.

R. Laverick (Р. Лаверік),

Engineering Manager

Stanley Europe, Egide Walschaertsstraat 14-18,

2800 Мехелен, Бельгія

01.2017

STANLEY

Гарантійні умови

Шановний покупець!

1. Вітаємо Вас з покупкою високоякісного виробу STANLEY і висловлюємо вдячність за Ваш вибір.

2. При покупці виробу вимагайте перевірки його комплектності і справності у Вашій присутності, інструкцію з експлуатації та заповнений гарантійний талон українською мовою

В гарантійному талоні повинні бути внесені: модель, дата продажу, серійний номер, дата виробництва інструменту; назва, печатка і підпис торгової організації. За відсутності у Вас правильно заповненого гарантійного талону, а також при невідповідності зазначених у ньому даних ми будемо змушені відхилити Ваші претензії щодо якості даного виробу.

3. Щоб уникнути непорозумінь, переконливо просимо Вас перед початком роботи з виробом уважно ознайомитися з інструкцією з його експлуатації. Правовою основою справжніх гарантійних умов є чинне Законодавство. Гарантійний термін на даний виріб складає 24 місяці і обчислюється з дня продажу. У разі усунення недоліків виробу, гарантійний строк продовжується на період його перебування в ремонті. Термін служби виробу становить 5 років з дня продажу.

4. У разі виникнення будь-яких проблем у процесі експлуатації виробу рекомендуємо Вам звертатися тільки в уповноважені сервісні центри STANLEY, адреси та телефони яких Ви зможете знайти в гарантійному талоні, на сайті www.2helpU.com або дізнатися в магазині. Наші сервісні станції - це не тільки кваліфікований ремонт, але і широкий асортимент запчастин і аксесуарів.

5. Виробник рекомендує проводити періодичну перевірку і технічне обслуговування виробу в уповноважених сервісних центрах.

6. Наші гарантійні зобов'язання поширюються тільки на несправності, виявлені протягом гарантійного терміну і викликані дефектами виробництва та \ або матеріалів.

7. Гарантійні умови не поширюються на несправності виробу, що виникли в результаті:

7.1 Недотримання користувачем приписів інструкції з експлуатації виробу, застосування виробу не за призначенням, неправильного зберігання, використання приладдя, витратних матеріалів і запчастин, що не передбачені виробником.

7.2 Механічного пошкодження (відколи, тріщини і руйнування) внутрішніх і зовнішніх деталей виробу, основних і допоміжних рукояток, мережевого кабелю, що викликані зовнішнім ударним або будь-яким іншим впливом

7.3 Потрапляння у вентиляційні отвори та проникнення всередину виробу сторонніх предметів, матеріалів або речовин, що не є відходами, які супроводжують застосування виробу за призначенням, такими як: стружка, тирса, пісок, та ін.

7.4 Вплив на виріб несприятливих атмосферних і інших зовнішніх факторів, таких як дощ, сніг, підвищена вологість, нагрівання, агресивні середовища, невідповідність параметрів електромережі, що зазначені на інструменті.

7.5 Стихійного лиха. Пошкодження або втрати виробу, що пов'язані з непередбаченими лихами, стихійними явищами, у тому числі внаслідок дії непереборної сили (пожежа, блискавка, потоп і інші природні явища), а також внаслідок перепадів напруги в електромережі та іншими причинами, які знаходяться поза контролем виробника.

8. Гарантійні умови не поширюються:

8.1. На інструменти, що піддавалися розкриттю, ремонту або модифікації поза уповноваженим сервісним центром.

8.2. На деталі, вузли та матеріали, що мають сліди природного зносу, такі як: приводні ремені і колеса, вугільні щітки, мастило, підшипники, зубчасті зчеплення редукторів, гумові ущільнення, сальники, направляючі ролики, муфти, вимикачі, бойки, штовхачі, стволи тощо.

8.3. На змінні частини: патрони, цанги, затисні гайки і фланці, фільтри, акумуляторні батареї, ножі, шліфувальні підшви, ланцюги, зирочки, пильні шини, захисні кожухи, пилки, абразиви, пильні і абразивні диски, фрези, свердла, бури тощо

8.4. На несправності, що виникли в результаті перевантаження інструменту (як механічного, так і електричного), що спричинили вихід з ладу одночасно двох і більше деталей і вузлів, таких як: ротора і статора, обох обмоток статора, веденої і ведучої шестерень редуктора або інших вузлів і деталей. До безумовних ознак перевантаження виробу відносяться, крім інших: поява кольорів мінливості, деформація або оплавлення деталей і вузлів виробу, потемніння або обвуглювання ізоляції проводів електродрвигуна під впливом високої температури.



Виробник:

"Stanley Black & Decker Deutschland GmbH" Black-&-Decker Str.40, D-65510 Idstein, Німеччина

Назначение

Ваша средняя угловая шлифмашина STANLEY SGM146 предназначена для шлифования металла с использованием шлифовальных кругов соответствующего типа. Данный инструмент предназначен для профессионального использования.

ИНСТРУКЦИИ ПО ТЕХНИКЕ БЕЗОПАСНОСТИ

Следующие определения указывают на степень важности каждого сигнального слова. Прочтите руководство по эксплуатации и обратите внимание на данные символы.



ОПАСНО: Означает чрезвычайно опасную ситуацию, которая приводит к смертельному исходу или получению тяжёлой травмы.



ВНИМАНИЕ: Означает потенциально опасную ситуацию, которая может привести к смертельному исходу или получению тяжёлой травмы.



ПРЕДУПРЕЖДЕНИЕ: Означает потенциально опасную ситуацию, которая может привести к получению травмы лёгкой или средней тяжести.

ПРЕДОСТЕРЕЖЕНИЕ: Означает ситуацию, не связанную с получением телесной травмы, которая, однако, может привести к повреждению инструмента.



Риск поражения электрическим током!



Огнеопасность!



Внимание: Внимательно прочтите руководство по эксплуатации для снижения риска получения травмы.

Общие правила безопасности при работе с электроинструментами



ВНИМАНИЕ! Перед началом работы внимательно прочтите все правила безопасности и инструкции. Несоблюдение всех перечисленных ниже правил безопасности и инструкций может привести к поражению электрическим током, возникновению пожара и/или получению тяжёлой травмы.

Сохраните все инструкции по безопасности и руководство по эксплуатации для их дальнейшего использования Термин «Электроинструмент» во всех приведённых ниже указаниях относится к Вашему сетевому (с кабелем) или аккумуляторному (беспроводному) электроинструменту.

1. Безопасность рабочего места

- a. **Содержите рабочее место в чистоте и хорошо освещённым.** Беспорядок на рабочем месте или отсутствие освещения рабочего места может привести к аварии.
- b. **Не работайте с электроинструментом в месте хранения взрывоопасных материалов, например, в присутствии огнеопасных жидкостей, газов или пыли.** Электрические инструменты создают искры, которые могут воспламенить пыль или пары.
- c. **Дети и посторонние лица должны находиться как можно дальше во время работы с электроинструментом.** Вы можете отвлечься и потерять контроль.

2. Электробезопасность

- a. **Вилка электроинструмента должна соответствовать розетке. Никогда не модифицируйте вилку каким-либо образом. Не используйте никакие вилки-переходники с заземленными (замкнутыми на землю) электроинструментами.** Вилки и розетки, которые не подвергались никаким изменениям снижают риск поражения электрическим током.
- b. **Избегайте контакта тела с заземленными поверхностями, такими как трубы, радиаторы, плиты и холодильники.** Существует повышенный риск поражения электрическим током, если ваше тело заземлено.
- c. **Избегайте любого воздействия дождя или влаги на электроинструменты.** Вода, попавшая в электроинструмент, увеличивает риск поражения электрическим током.
- d. **Аккуратно обращайтесь со шнуром питания. Никогда не используйте шнур питания для переноски, перемещения или извлечения вилки из розетки. Держите шнур вдали от источников тепла, масла, острых краев или движущихся частей.** Поврежденные или запутанные шнуры увеличивают риск поражения электрическим током.
- e. **При работе с электроинструментом на улице, используйте удлинитель, подходящий для наружного использования.** Использование кабеля, пригодного для использования на открытом воздухе, снижает риск поражения электрическим током.
- f. **При необходимости работы с электроинструментом во влажной среде, используйте устройство защитного отключения (УЗО).** Использование УЗО снижает риск поражения электрическим током.

3. Личная безопасность

- a. Будьте внимательны, смотрите, что вы делаете, используйте здравый смысл при работе с электроинструментом. Не используйте электроинструмент, если вы устали или находитесь под влиянием наркотиков, алкоголя или лекарств. Малейшая неосторожность при работе с электроинструментом может привести к серьезным травмам.**
- b. Используйте средства индивидуальной защиты. Всегда надевайте защитные очки. Другое защитное оборудование, включая респиратор, ботинки на нескользящей подошве, защитный шлем или средства защиты органов слуха, используемые в надлежащих условиях, уменьшат риск получения травмы.**
- c. Для предотвращения случайного запуска, убедитесь, что переключатель находится в выключенном положении перед подключением к источнику питания и/или аккумуляторной батарее, поднятия или переноски инструмента. Не переносите электроинструмент с пальцем на выключателе и не включайте питание на инструмент с включенным выключателем, что может привести к несчастному случаю.**
- d. Перед включением электроинструмента снимайте регулировочный или гаечный ключ. Гаечный или регулировочный ключ, оставленный на вращающейся части электроинструмента, может привести к травме.**
- e. Не тянитесь. Сохраняйте правильную стойку и баланс все время.** Это позволяет лучше контролировать инструмент в неожиданных ситуациях.
- f. Одевайтесь правильно. Не надевайте свободную одежду или украшения. Держите волосы, одежду и перчатки вдали от движущихся частей. Свободная одежда, украшения или длинные волосы могут попасть в движущиеся части.**
- g. Если имеются устройства для подключения пылесборника или вытяжки, убедитесь в том, что они подсоединены и используются правильно.** Использование пылесборника снижает вероятность возникновения рисков, связанных с пылью.

4. Использование и уход за электроинструментом

- a. Не перегружайте электроинструмент. Используйте подходящий электрический инструмент для соответствующего применения. Правильно подобранный**

электроинструмент позволит выполнить работу лучше и безопаснее при скорости, для которой он был разработан.

- b. Не используйте электроинструмент, если переключатель не может его включить и выключить.** Любой электроинструмент, который нельзя контролировать с помощью переключателя, опасен и должен быть отремонтирован.
- c. Отключите кабель питания от источника питания и/или аккумуляторный блок от электрического инструмента перед выполнением любых регулировок, замены принадлежностей или при хранении электроинструмента.** Такие профилактические меры безопасности уменьшают риск непреднамеренного запуска электрического инструмента.
- d. Храните неиспользуемые электроинструменты в недоступном для детей месте и не позволяйте лицам, не знакомым с электроинструментом или данными инструкциями, работать с электроинструментом.** Электроинструменты опасны в руках неопытных пользователей.
- e. Поддержание электроинструмента. Проверяйте разрегулированность или соединение подвижных частей, поломки частей и любые другие условия, которые могут повлиять на работу электроинструмента. При наличии повреждения, отремонтируйте электроинструмент перед использованием.** Многие несчастные случаи являются следствием плохого ухода за электроинструментом.
- f. Держите режущий инструмент острым и чистым.** Хорошо ухоженный режущий инструмент с острыми режущими кромками легче контролировать.
- g. Используйте электроинструмент, принадлежности, насадки и т.д. в соответствии с этими инструкциями, принимая во внимание рабочие условия и характер выполняемой работы.** Использование электроинструмента иным способом может привести к опасным ситуациям.

5. Обслуживание

- a. Обеспечьте, чтобы обслуживание и ремонт вашего электроинструмента проводился в авторизованном сервисном центре по ремонту с использованием только оригинальных запасных частей.** Это станет гарантией безопасности электроинструмента.

ДОПОЛНИТЕЛЬНЫЕ СПЕЦИАЛЬНЫЕ ПРАВИЛА БЕЗОПАСНОСТИ

Меры безопасности при выполнении всех операций

- a. Данный электроинструмент предназначен для шлифования. Внимательно прочтите все инструкции по использованию, правила безопасности, спецификации, а также рассмотрите все иллюстрации, входящие в руководство по эксплуатации данного электроинструмента. Несоблюдение всех перечисленных ниже инструкций может привести к поражению электрическим током, возникновению пожара и/или получению серьёзной травмы.
- b. Не рекомендуется выполнение данным инструментом работ по очистке металлической щёткой, полировке и резке. Использование инструмента не по назначению может привести к повреждению инструмента и получению телесной травмы.
- c. Не используйте дополнительные принадлежности и насадки, специально не разработанные и не рекомендованные производителем инструмента. Возможность установки принадлежностей и насадок на электроинструмент не обеспечивает безопасности при его использовании.
- d. Номинальная скорость вращения насадок должна соответствовать скорости, указанной на электроинструменте. Диски и прочие насадки при вращении на скорости, превышающей их номинальную скорость, могут разрушиться и сорваться с крепления.
- e. Внешний диаметр и толщина насадки должны соответствовать диапазону мощности Вашего электроинструмента. Насадка неправильного размера не закрывается надлежащим образом защитным кожухом и не обеспечивает контроля при управлении инструментом.
- f. Монтажная резьба насадок должна соответствовать резьбе шпинделя шлифмашины. Для насадок, устанавливаемых на фланцы: посадочное отверстие насадки должно соответствовать установочному диаметру фланца. Насадки, не соответствующие крепёжным деталям электроинструмента, могут стать причиной разбалансированности, повышенной вибрации и потери контроля над электроинструментом.
- g. Не используйте повреждённые насадки. Перед каждым использованием проверяйте абразивные диски на наличие сколов и трещин. В случае падения электроинструмента или насадки проверьте их на наличие повреждений или установите неповреждённую насадку. После проверки и установки насадки отведите электроинструмент от себя и посторонних лиц в сторону и запустите его на максимальной скорости без нагрузки в течение одной минуты. Немедленно останавливайтесь при возникновении чрезмерной вибрации или других нарушений в работе инструмента. Если это произошло, осмотрите инструмент, чтобы выявить причину нарушения. Всегда храните абразивные диски в надёжном сухом месте, недоступном для детей. Повреждённые насадки отлетят в сторону в течение данного тестового периода.
- h. Используйте средства индивидуальной защиты. В зависимости от типа выполняемых работ надевайте щиток для защиты лица, защитную маску или защитные очки. В соответствии с необходимостью надевайте респиратор, защитные наушники, перчатки и рабочий фартук, способный защитить от отлетающих мелких абразивных частиц и фрагментов обрабатываемой детали. Средства защиты для глаз должны останавливать частицы, вылетающие при выполнении различных видов работ. Противопылевая маска или респиратор должны обеспечивать фильтрацию твёрдых частиц, образующихся в ходе работ. Длительное воздействие шума высокой интенсивности может привести к нарушениям слуха.
- i. Не подпускайте посторонних лиц близко к рабочей зоне. Любое лицо, входящее в рабочую зону, должно использовать средства индивидуальной защиты. Отлетающие фрагменты обрабатываемой детали или разрушенной насадки могут стать причиной получения травмы даже за пределами рабочей зоны.
- j. Держите электроинструмент только за изолированные поверхности при выполнении работ, во время которых режущая принадлежность может задеть скрытую проводку или кабель подключения к электросети. Контакт насадки с находящимся под напряжением проводом делает не покрытые изоляцией металлические части электроинструмента также «живыми», что создаёт опасность поражения оператора электрическим током.
- k. Располагайте кабель подключения к электросети на удалении от вращающейся насадки. В случае потери контроля кабель может быть разрезан или защемлён, а Ваша рука может быть затянута вращающейся насадкой.
- l. Никогда не кладите электроинструмент, пока насадка полностью не остановится. Вращающаяся насадка может задеть за поверхность, и электроинструмент вырвется из Ваших рук.
- m. Не включайте электроинструмент, если насадка направлена на Вас. Случайный контакт с вращающейся насадкой может привести к захвату насадкой Вашей одежды и получению телесной травмы.

- n. Регулярно очищайте вентиляционные отверстия электроинструмента.** Вентилятор электродвигателя затягивает пыль внутрь корпуса, а скопление большого количества пыли на металле электродвигателя повышает риск поражения электрическим током.
- o. Не используйте электроинструмент вблизи с пожароопасными материалами.** Искровые разряды могут привести к их воспламенению.
- p. Не используйте насадки, требующие жидкостного охлаждения.** Использование воды или других жидких охлаждающих средств может привести к поражению электрическим током вплоть до смертельного исхода.

ДОПОЛНИТЕЛЬНЫЕ МЕРЫ БЕЗОПАСНОСТИ ПРИ ВЫПОЛНЕНИИ ВСЕХ ОПЕРАЦИЙ

Причины обратного удара и действия оператора по его предупреждению

Обратный удар является внезапной реакцией на заземление или застревание вращающегося диска или какой-либо другой насадки. Заземление или застревание могут стать причиной мгновенной остановки вращающейся насадки, что в свою очередь приводит к потере контроля над электроинструментом и его внезапному отбрасыванию назад в направлении, противоположном вращению насадки.

Например, если абразивный круг был заземлён или застрял в заготовке, край круга в момент заземления может врезаться в поверхность заготовки, в результате чего круг поднимается или отскакивает назад. В зависимости от направления движения круга в момент заземления, круг может резко подняться в сторону или от оператора. В этот момент абразивные круги могут также сломаться.

Обратный удар является результатом использования инструмента не по назначению и/или неправильных действий оператора и условий работы, и его можно избежать, соблюдая следующие меры безопасности:

- a. Крепко удерживайте электроинструмент и следите за положением тела и рук, чтобы эффективно противостоять воздействию обратного удара. Для максимального контроля силы обратного удара или реакции от крутящего момента всегда используйте вспомогательную рукоятку, если она предусмотрена.** При соблюдении соответствующих мер предосторожности оператор может контролировать силу обратного удара и реакцию от крутящего момента.
- b. Никогда не держите руки вблизи от вращающейся насадки.** При обратном ударе насадка может поранить Ваши руки.
- c. Не стойте в зоне действия обратного удара электроинструмента.** В момент заклинивания сила

обратного удара отбросит инструмент в направлении, обратном движению диска.

- d. Будьте особенно осторожны при обработке углов, острых кромок и пр. Избегайте отскакивания и заклинивания насадки.** Именно при обработке углов, острых кромок или при отскакивании высока вероятность заклинивания вращающейся насадки, что может послужить причиной потери контроля над инструментом или образования обратного удара.
- e. Не устанавливайте на инструмент диск для резбы по дереву или зубчатый пильный диск.** Данные диски увеличивают вероятность возникновения обратного удара и потери контроля над инструментом.

Специальные меры безопасности при шлифовании

- a. Используйте только диски, рекомендованные для использования с Вашим электроинструментом, а также защитные кожухи, специально разработанные для выбранного типа дисков.** Диски, не предназначенные для использования с данным электроинструментом, не будут надёжно защищены кожухом и представляют опасность.
- b. Шлифовальная поверхность дисков с утопленным центром должна быть установлена ниже плоскости кромки защитного кожуха.** Неправильно установленный диск, выступающий за плоскость кромки защитного кожуха, не будет защищён должным образом.
- c. Защитный кожух должен быть надёжно закреплён на электроинструменте. Для достижения максимальной безопасности кожух должен быть установлен таким образом, чтобы со стороны оператора была открыта самая незначительная часть диска.** Защитный кожух поможет защитить оператора от фрагментов разрушенного диска и случайного контакта с диском, а также от искр, способных воспламенить одежду оператора.
- d. Диски должны использоваться только строго в соответствии с их назначением. Например: не выполняйте шлифование боковой стороной отрезного диска.** Абразивные отрезные диски предназначены для шлифования периферийной кромки, поэтому боковая сила, применимая к данному типу дисков, может стать причиной их разрушения.
- e. Всегда используйте неповреждённые дисковые фланцы, размер и форма которых полностью соответствуют выбранному Вами типу дисков.** Правильно подобранные дисковые фланцы поддерживают диск, снижая вероятность его разрушения. Фланцы для отрезных дисков могут отличаться от фланцев для шлифовальных кругов.

- f. **Никогда не используйте изношенные диски с электроинструментов большей мощности.** Диски, предназначенные для использования с электроинструментами большей мощности, не подходят для высоких скоростей инструментов меньшей мощности, и могут разрушиться.

Дополнительные инструкции по безопасности

- Данный инструмент не предназначен для использования с проволочными и чашеобразными шлифовальными кругами.



ВНИМАНИЕ: Рекомендуется использование устройства защитного отключения с остаточным током 30 мА или менее.

ОСТАТОЧНЫЕ РИСКИ

Несмотря на соблюдение соответствующих инструкций по технике безопасности и использование предохранительных устройств, некоторые остаточные риски невозможно полностью исключить. К ним относятся:

- Ухудшение слуха
- Риск получения травмы от разлетающихся частиц.
- Риск получения ожогов от принадлежностей и насадок, которые в процессе работы сильно нагреваются.
- Риск получения травмы, связанный с продолжительным использованием инструмента.
- Риск вдыхания пыли от опасных для здоровья веществ.

МАРКИРОВКА ИНСТРУМЕНТА

В дополнение к пиктограммам, содержащимся в данном руководстве по эксплуатации, на инструменте имеются символы, которые отображают следующее:



Перед использованием внимательно прочтите данное руководство по эксплуатации.



Работайте в защитных очках.



Используйте средства защиты органов слуха.

Место положения кода даты (Рис. А)

Код даты (16), который также включает в себя год изготовления, отштампован на поверхности корпуса инструмента.

Пример:

2017 XX XX
Год изготовления {

В УПАКОВКУ ВХОДЯТ

- 1 Угловая шлифмашина
- 1 Защитный кожух
- 1 Боковая рукоятка
- 1 Набор дисковых фланцев

1 Спецключ

1 Руководство по эксплуатации

- Проверьте инструмент, детали и дополнительные приспособления на наличие повреждений, которые могли произойти во время транспортировки.
- Перед началом работы необходимо внимательно прочитать настоящее руководство и принять к сведению содержащуюся в нем информацию.

Описание (Рис. А)



ВНИМАНИЕ: Ни в коем случае не модифицируйте электроинструмент или какую-либо его деталь. Это может привести к получению травмы или повреждению инструмента.

1. Пусковой выключатель
2. Кнопка блокировки пускового выключателя
3. Боковая рукоятка
4. Защитный кожух
5. Кнопка блокировки шпинделя

ЭЛЕКТРОБЕЗОПАСНОСТЬ

Электрический двигатель рассчитан на работу только при одном напряжении электросети. Следите за напряжением электрической сети, оно должно соответствовать величине, обозначенной на информационной табличке инструмента.



Ваш инструмент Stanley защищён двойной изоляцией, что исключает потребность в заземляющем проводе.

Повреждённый кабель должен заменяться специально подготовленным кабелем в авторизованном сервисном центре STANLEY.

ИСПОЛЬЗОВАНИЕ УДЛИНИТЕЛЬНОГО КАБЕЛЯ

При необходимости использования удлинительного кабеля, используйте только утверждённые 3-х жильные кабели промышленного изготовления, рассчитанные на мощность не меньшую, чем потребляемая мощность данного инструмента (см. раздел «Технические характеристики»). Минимальный размер проводника должен составлять 1,5 мм²; максимальная длина кабеля не должна превышать 30 м.

При использовании кабельного барабана, всегда полностью размотайте кабель.

СБОРКА И РЕГУЛИРОВКА



ВНИМАНИЕ: Для снижения риска получения тяжёлой травмы, перед регулировкой или снятием/установкой дополнительных принадлежностей или насадок выключайте инструмент и отсоединяйте его от электросети. Перед повторным подключением инструмента нажмите и отпустите клавишу пускового выключателя, чтобы убедиться, что инструмент действительно выключен. Непреднамеренный запуск инструмента может привести к получению травмы.

Установка боковой рукоятки (Рис. F)

ВНИМАНИЕ: Перед использованием инструмента убедитесь, что рукоятка надёжно затянута.



ВНИМАНИЕ: Для обеспечения полного контроля над инструментом во время работы всегда должна использоваться боковая рукоятка.

Вставьте боковую рукоятку (3) в одно из резьбовых отверстий (15), расположенных на обеих сторонах корпуса редуктора, и надёжно затяните.

Установка и снятие защитного кожуха

ВНИМАНИЕ: Не используйте данную шлифмашину без установленного защитного кожуха!

Установка (Рис. В и С)

- Положите инструмент на стол, шпинделем вверх.
- Совместите проушину (6) с прорезью (7) на кронштейне.
- надавите на защитный кожух (4) и поверните его в направлении стрелки (Рис. В).

Снятие (Рис. В и С)

- Возьмите инструмент в руку.
- Ослабьте винт 9 на воротнике защитного кожуха.
- Поворачивайте защитный кожух, пока проушина не окажется в прорези.
- Снимите защитный кожух.

Установка и снятие шлифовальных кругов**(Рис. D, E)**

Внимание: Не используйте повреждённые шлифовальные круги.

- Положите инструмент на рабочий стол прорезью вверх.
- Установите на шпиндель (12) проставочный фланец (11) (Рис. D).
- Установите шлифовальный круг на проставочный фланец (11). При установке шлифовальных кругов с выпуклым центром проследите, чтобы выпуклый центр примыкал к проставочному фланцу.
- Положите шлифовальную бумагу на резиновый диск-подошву.
- Затяните внешний фланец (14) до самого шпинделя (12) (Рис. E). При установке шлифовального круга, кольцо в верхней части внешнего фланца (14) должно примыкать к кругу.
- Нажмите кнопку блокировки шпинделя (5) и удерживайте шпиндель (12) от вращения до его полной фиксации на месте.
- Спецключом затяните внешний фланец (14).

Подготовка к эксплуатации

- Установите защитный кожух и диск или круг, соответствующие типу работ. Не используйте чрезмерно изношенные диски или круги.
- Не используйте повреждённые насадки. Перед каждым использованием внимательно осматривайте насадку. В случае падения электроинструмента или насадки проверьте их на наличие повреждений или установите неповреждённую насадку. После проверки и установки насадки отведите электроинструмент от себя и посторонних лиц в сторону и запустите его на максимальной скорости без нагрузки в течение одной минуты. Повреждённые насадки отлетят в сторону в течение данного тестового периода.
- Убедитесь в правильной установке наружного и внутреннего фланцев.
- Проследите, чтобы диск или круг вращался в соответствии с указательными стрелками на шлифмашине и на самой насадке.
- Не используйте отрезные диски для боковой шлифовки.
- Убедитесь, что образующиеся в процессе работы искры не представляют опасности, а именно, не летят в сторону посторонних лиц и не способны воспламенить пожароопасные материалы.

Эксплуатация (Рис. F)**Инструкции по эксплуатации**

ВНИМАНИЕ: Всегда следуйте указаниям действующих норм и правил безопасности.



ВНИМАНИЕ: Для снижения риска получения серьёзной травмы, перед регулировкой или снятием/установкой насадок выключайте инструмент и отсоединяйте его от электросети. Перед повторным подключением инструмента нажмите и отпустите курковый выключатель, чтобы убедиться, что инструмент действительно выключен.



ВНИМАНИЕ:

- Следите, чтобы все обрабатываемые заготовки были надёжно зафиксированы на месте.
- Не прилагайте к инструменту чрезмерного усилия. Ни в коем случае не прилагайте бокового усилия к абразивному диску!
- Избегайте перегрузки. Если инструмент очень нагрелся, дайте ему поработать несколько минут на холостом ходу.
- Крепко удерживайте инструмент обеими руками (одной рукой за корпус, другой рукой за боковую рукоятку). Включите инструмент и опустите шлифовальный круг на заготовку.

- Следите, чтобы край шлифовального круга находился под углом 15-30° к поверхности заготовки.
- При использовании нового шлифовального круга, не ведите шлифмашину в направлении В, иначе шлифовальный круг врежется в заготовку. Когда край шлифовального круга округлится, Вы сможете свободно работать в любом направлении – А или В.

Включение и выключение (Рис. А)



ВНИМАНИЕ: Перед использованием инструмента убедитесь, что рукоятка надёжно затянута. Проверьте функциональность пускового выключателя.

Чтобы включить инструмент, нажмите на кнопку блокировки пускового выключателя (2), затем на клавишу пускового выключателя (1). Чтобы заблокировать инструмент в положении «ВКЛ.», удерживая пусковой выключатель (1) нажатым, нажмите на кнопку (2). Чтобы выключить инструмент, просто нажмите на пусковой выключатель и отпустите, инструмент остановится.

Выключатели



ПРЕДУПРЕЖДЕНИЕ: Крепко удерживайте корпус инструмента для обеспечения контроля над инструментом при запуске, во время работы и до тех пор, пока диск или насадка не прекратит вращаться. Прежде чем положить инструмент убедитесь, что диск полностью остановился.

Клавиша пускового выключателя (1) с автоматической блокировкой



ВНИМАНИЕ: Перед подключением инструмента к источнику питания убедитесь, что пусковой выключатель находится в положении «ВЫКЛ.»; для этого нажмите и отпустите переднюю половину выключателя. После любого прерывания электроснабжения инструмента, например, при срабатывании аварийного прерывателя заземления или автоматического выключателя, при случайном отсоединении от источника питания или при нарушении электропитания, всегда проверяйте, что пусковой выключатель находится в положении «ВЫКЛ.», как было описано выше. Если пусковой выключатель при подаче питания находится в положении «ВКЛ.», инструмент внезапно начнёт работать.

Для включения инструмента, нажмите на кнопку блокировки пускового выключателя (2), затем на клавишу пускового выключателя (1).

Блокировка пускового выключателя

Для включения инструмента нажмите на кнопку блокировки пускового выключателя (2), затем на клавишу пускового выключателя (1). Удерживая нажатым

пусковой выключатель, нажмите на кнопку блокировки (2), и инструмент заблокируется в положении «ВКЛ.». Чтобы выключить инструмент, нажмите на клавишу пускового выключателя (1) и отпустите – кнопка блокировки пускового выключателя (2) отпружинит наружу и инструмент остановится.



Пояснение: Прежде чем приступить к шлифованию заготовки убедитесь, что абразивный круг вращается на максимальной скорости. Перед выключением инструмента, сначала поднимите его с заготовки.

Поворачивание корпуса редуктора (Рис. F)

Корпус редуктора установлен непосредственно на корпусе инструмента, и он может поворачиваться в разные стороны, обеспечивая оператору удобное положение при работе.

Поворотный корпус редуктора может поворачиваться на 90°, 180° и 270° влево или вправо.

- Ослабьте четыре винта на корпусе редуктора.
- Поворачивайте корпус редуктора, пока он не будет установлен в максимально удобное положение.
- Затяните четыре винта на корпусе редуктора.
- Убедитесь, что поворотный механизм заблокирован.



ВНИМАНИЕ: Не используйте инструмент, если корпус редуктора не зафиксирован.

Блокировка шпинделя (Рис. А)

Кнопка блокировки шпинделя (5) используется для предотвращения вращения шпинделя при установке или снятия дисков. Используйте функцию блокировки шпинделя только после того, как инструмент будет выключен, отсоединён от электросети и после полной остановки двигателя.



ПРИМЕЧАНИЕ: Для предотвращения риска повреждения инструмента не используйте блокировку шпинделя при работающем инструменте. Это приведёт к повреждению инструмента, а установленная насадка может отвинтиться и нанести травму.

Для установки блокировки нажмите кнопку блокировки шпинделя и вращайте шпиндель до тех пор, пока он не зафиксируется, и вы не сможете его более повернуть.

Обработка металлов

Во избежание возможных рисков, связанных с образованием металлической пыли, при использовании шлифмашины для обработки металла, позаботьтесь, чтобы она была подключена через устройство защитного отключения (УЗО) по току утечки.

Если электропитание шлифмашины было отключено устройством защитного отключения (УЗО), доставьте шлифмашину в авторизованный сервисный центр STANLEY.



ВНИМАНИЕ: В критических случаях при работе с металлом, токопроводящая пыль может накапливаться внутри шлифмашины.

Это может привести к повреждению электроизоляции шлифмашины, что увеличит опасность поражения электрическим током. Во избежание накопления пыли внутри шлифмашины, рекомендуется ежедневно чистить вентиляционные прорези. См. раздел «Техническое обслуживание».

ТЕХНИЧЕСКОЕ ОБСЛУЖИВАНИЕ

Ваш электроинструмент STANLEY рассчитан на работу в течение продолжительного времени при минимальном техническом обслуживании. Срок службы и надёжность инструмента увеличивается при правильном уходе и регулярной чистке.



ВНИМАНИЕ: Для снижения риска получения тяжёлой травмы, перед регулировкой или снятием/установкой дополнительных принадлежностей или насадок выключайте инструмент и отсоединяйте его от электросети. Перед повторным подключением инструмента нажмите и отпустите клавишу пускового выключателя, чтобы убедиться, что инструмент действительно выключен. Непреднамеренный запуск инструмента может привести к получению травмы.



Смазка

Ваш электроинструмент не требует дополнительной смазки.



Чистка



ВНИМАНИЕ: Выдувайте грязь и пыль из корпуса сухим сжатым воздухом по мере видимого скопления грязи внутри и вокруг вентиляционных отверстий. Выполняйте данную процедуру, надев средство защиты глаз и респиратор утверждённого типа.



ВНИМАНИЕ: Никогда не используйте растворители или другие агрессивные химические средствами для очистки неметаллических деталей инструмента. Эти химикаты могут ухудшить свойства материалов, применённых в данных деталях. Используйте ткань, смоченную в воде с мягким мылом. Не допускайте попадания какой-либо жидкости внутрь инструмента; ни в коем случае не погружайте какую-либо часть инструмента в жидкость.

Дополнительные принадлежности



ВНИМАНИЕ: Поскольку принадлежности, отличные от тех, которые предлагает STANLEY, не проходили тесты на данном изделии, то использование этих принадлежностей может привести к опасной ситуации. Во избежание риска получения

травмы, с данным продуктом должны использоваться только дополнительные принадлежности, рекомендованные STANLEY.

По вопросу приобретения дополнительных принадлежностей обращайтесь к Вашему дилеру.

Защита окружающей среды



Раздельный сбор. Данное изделие нельзя утилизировать вместе с обычными бытовыми отходами.

Если однажды Вы захотите заменить Ваш электроинструмент STANLEY, или Вы больше в нем не нуждаетесь, не выбрасывайте его вместе с бытовыми отходами. Отнесите изделие в специальный приемный пункт.



Фирма STANLEY обеспечивает прием и переработку отслуживших свой срок изделий STANLEY. Чтобы воспользоваться этой услугой,

Вы можете сдать Ваше изделие в любой авторизованный сервисный центр, который собирает их по нашему поручению. Вы можете узнать место нахождения Вашего

ближайшего авторизованного сервисного центра, обратившись в Ваш местный офис STANLEY по адресу, указанному в данном руководстве по эксплуатации. Кроме того, список авторизованных сервисных центров STANLEY и полную информацию о нашем послепродажном обслуживании и контактах Вы можете найти в интернете по адресу: www.2helpU.com.

Примечания

Политика STANLEY нацелена на постоянное усовершенствование нашей продукции, поэтому фирма оставляет за собой право изменять технические характеристики изделий без предварительного уведомления.

Стандартное оборудование и дополнительные принадлежности могут меняться в зависимости от страны продаж.

Технические характеристики продуктов могут различаться в зависимости от страны продаж.

Полная линия продуктов присутствует на рынках не всех стран. Для получения информации касательно линии продуктов в Вашей стране обратитесь в ближайший сервисный центр STANLEY.

ТЕХНИЧЕСКИЕ ХАРАКТЕРИСТИКИ

СРЕДНЯЯ УГЛОВАЯ ШЛИФМАШИНА SGM146

Напряжение	В перем. тока	220-240
Частота	Гц	50/60
Потребляемая мощность	Вт	1400
Номинальная скорость	об/мин.	9500
Диаметр диска	мм	150
Толщина шлифовального диска	мм	6
Диаметр шпинделя		M14
Вес	кг	3,1

Уровень звукового давления в соответствии с EN 60745-2-3

Звуковое давление (L_{pA}) 94,0 дБ(A), погрешность (K) 3 дБ(A)
 Акустическая мощность (L_{WA}) 105,0 дБ(A), погрешность (K) 3 дБ(A)

Значения вибрационного воздействия, ah:

$AG = m/c^2$ 9,3
 погрешность(K) = 1,5 m/c^2

Шлифование диском

Значения вибрационного воздействия $ah, DS = m/c^2$ 2,7
 Погрешность K = m/c^2 1,5

Уровень вибрации, указанный в данном информационном листке, был рассчитан по стандартному методу тестирования в соответствии со стандартом EN60745 и может использоваться для сравнения инструментов разных марок. Он может также использоваться для предварительной оценки воздействия вибрации.

ВНИМАНИЕ: Заявленная величина вибрации относится только к основным видам применения инструмента. Однако если инструмент применяется не по основному назначению, с другими принадлежностями или содержится в ненадлежащем порядке, уровень вибрации будет отличаться от указанной величины. Это может значительно увеличить воздействие вибрации в течение всего периода работы инструментом.

При оценке уровня воздействия вибрации необходимо также учитывать время, когда инструмент находился в выключенном состоянии или когда он включён, но не выполняет какую-либо операцию. Это может значительно уменьшить уровень воздействия в течение всего периода работы инструментом.

Определите дополнительные меры предосторожности для защиты оператора от воздействия вибрации, такие

как: тщательный уход за инструментом и принадлежностями, содержание рук в тепле, организация рабочего места.

Декларация соответствия ЕС

ДИРЕКТИВА ПО МЕХАНИЧЕСКОМУ
 ОБОРУДОВАНИЮ



SGM146- угловая шлифмашина

Stanley Europe заявляет, что продукты, обозначенные в разделе «Технические характеристики», разработаны в полном соответствии со стандартами: EN 60745-1:2009+ A11:2010, EN 60745-2-3:2011+A12:2014

Данные продукты также соответствуют Директивам 22004/108/ EC 2014/30/EU and 2011/65/EU.

За дополнительной информацией обращайтесь по указанному ниже адресу или по адресу, указанному на последней странице руководства.

Нижеподписавшееся лицо полностью отвечает за соответствие технических данных и делает это заявление от имени фирмы Stanley Europe.

R.Laverick

Руководитель отдела технических разработок
 Stanley Europe, Egide Walschaertsstraat 14-18,
 2800 Mechelen, Belgium
 01.2017

Информация по техническому обслуживанию

STANLEY имеет обширную сеть принадлежащих компании и/или авторизованных сервисных центров по всей стране. В целях предоставления клиентам эффективного и надёжного технического обслуживания электроинструментов во всех сервисных центрах STANLEY работает обученный персонал. Если Вы нуждаетесь в технической консультации, ремонте или покупке оригинальных запасных частей, обратитесь в ближайший к Вам сервисный центр STANLEY.

STANLEY

Гарантийные условия

Уважаемый покупатель!

1. Поздравляем Вас с покупкой высококачественного изделия STANLEY и выражаем признательность за Ваш выбор.

2. При покупке изделия требуйте проверки его комплектности и исправности в Вашем присутствии, инструкцию по эксплуатации и заполненный гарантийный талон на русском языке.

В гарантийном талоне должны быть внесены: модель, дата продажи, серийный номер, дата производства инструмента; название, печать и подпись торговой организации. При отсутствии у Вас правильно заполненного гарантийного талона, а также несоответствия указанных в нем данных мы будем вынуждены отклонить Ваши претензии по качеству данного изделия.

3. Во избежание недоразумений убедительно просим Вас перед началом работы с изделием внимательно ознакомиться с инструкцией по его эксплуатации. Правовой основой настоящих гарантийных условий является действующее Законодательство. Гарантийный срок на данное изделие составляет 24 месяца и исчисляется со дня продажи. В случае устранения недостатков изделия, гарантийный срок продлевается на период его нахождения в ремонте. Срок службы изделия составляет 5 лет со дня продажи.

4. В случае возникновения каких-либо проблем в процессе эксплуатации изделия рекомендуем Вам обращаться только в уполномоченные сервисные центры STANLEY, адреса и телефоны которых Вы сможете найти в гарантийном талоне, на сайте www.2helpU.com или узнать в магазине. Наши сервисные станции - это не только квалифицированный ремонт, но и широкий ассортимент запчастей и принадлежностей.

5. Производитель рекомендует проводить периодическую проверку и техническое обслуживание изделия в уполномоченных сервисных центрах.

6. Наши гарантийные обязательства распространяются только на неисправности, выявленные в течение гарантийного срока и вызванные дефектами производства и \ или материалов.

7. Гарантийные условия не распространяются на неисправности изделия, возникшие в результате:

7.1. Несоблюдения пользователем предписаний инструкции по эксплуатации изделия, применения изделия не по назначению, неправильному хранении, использования принадлежностей, расходных материалов и запчастей, не предусмотренных производителем.

7.2. Механического повреждения (сколы, трещины и разрушения) внутренних и внешних деталей изделия, основных и вспомогательных рукояток, сетевого электрического кабеля, вызванного внешним ударным или любым иным воздействием

7.3. Попадания в вентиляционные отверстия и проникновение внутрь изделия посторонних предметов, материалов или веществ, не являющихся отходами, сопровождающими применение изделия по назначению, такими как: стружка, опилки, песок, и пр.

7.4. Воздействий на изделие неблагоприятных атмосферных и иных внешних факторов, таких как дождь, снег, повышенная влажность, нагрев, агрессивные среды, несоответствие параметров питающей электросети, указанных на инструменте.

7.5. Стихийного бедствия. Повреждение или утрата изделия, связанное с непредвиденными бедствиями, стихийными явлениями, в том числе вследствие действия непреодолимой силы (пожар, молния, потоп и другие природные явления), а так же вследствие перепадов напряжения в электросети и другими причинами, которые находятся вне контроля производителя.

8. Гарантийные условия не распространяются:

8.1. На инструменты, подвергавшиеся вскрытию, ремонту или модификации вне уполномоченного сервисного центра.

8.2. На детали и узлы, имеющие следы естественного износа, такие как:

приводные ремни и колеса, угольные щетки, смазка, подшипники, зубчатое зацепление редукторов, резиновые уплотнения, сальники, направляющие ролики, муфты, выключатели, бойки, толкатели, стволы, и т.п.

8.3. На сменные части: патроны, цанги, зажимные гайки и фланцы, фильтры, аккумуляторные батареи, ножи, шлифовальные подошвы, цепи, звездочки, пыльные шины, защитные кожухи, пилки, абразивы, пыльные и абразивные диски, фрезы, сверла, буры и т.п.

8.4. На неисправности, возникшие в результате перегрузки инструмента (как механической, так и электрической), повлекшей выход из строя одновременно двух и более деталей и узлов, таких как: ротора и статора, обеих обмоток статора, ведомой и ведущей шестерни редуктора или других узлов и деталей. К безусловным признакам перегрузки изделия относятся, помимо прочего: появление цветов побежалости, деформация или оплавление деталей и узлов изделия, потемнение или облупливание изоляции проводов электродвигателя под воздействием высокой температуры.

EAC

Изготовитель

Блэк энд Деккер Холдингс ГмбХ
Германия, 65510, Идштайн,
ул. Блэк энд Деккер, 40



Приложение к руководству по эксплуатации

Перфораторы

Модели: SGM146*, SGV115*, KS8215*, G650*, FME821*, FME822*, G850*, KG7- Сделано в Китае.

Где символ "*" - различные варианты исполнения изделия.

Сертификат №: RU C-DE.AЯ46.B.78174

Действителен до: 12 января 2019 г.

Выдан: Орган по сертификации "РОСТЕСТ- Москва", Адрес: 119049 г. Москва, улица Житная, д. 14, стр. 1; 117418, Москва, Нахимовский просп., 31 (фактический), Телефон: (499) 1292311, (495) 6682893, Факс: (495) 6682893, E-mail: office@rostest.ru

Изготовитель: Блэк энд Деккер Холдингс ГмБХ
Германия, 65510, Идштайн,
ул. Блэк энд Деккер, 40

Уполномоченное изготовителем юр.лицо:

ООО "Стэнли Блэк энд Деккер", 117485, город Москва, улица Обручева, дом 30/1, строение 2

Телефон: + 7 (495) 258-3981, факс: + 7 (495) 258-3984, E-mail: inbox@dewalt.com

Сведения о импортере указаны в сопроводительной документации и/или на упаковке

Хранение.

Необходимо хранить в сухом месте, вдали от источников повышенных температур и воздействия солнечных лучей. При хранении необходимо избегать резкого перепада температур. Хранение без упаковки не допускается

Срок службы.

Срок службы изделия составляет 5 лет. Не рекомендуется к эксплуатации по истечении 5 лет хранения с даты изготовления без предварительной проверки.

Дата изготовления (код даты) указана на корпусе инструмента.

Код даты, который также включает год изготовления, отштампован на поверхности корпуса изделия.

Пример:

2014 46 XX, где 2014 –год изготовления, 46-неделя изготовления.

Определить месяц изготовления по указанной неделе изготовления можно согласно приведенной ниже таблице.

Транспортировка.

Категорически не допускается падение и любые механические воздействия на упаковку при транспортировке.

При разгрузке/погрузке не допускается использование любого вида техники, работающей по принципу зажима упаковки.

Перечень критических отказов, возможные ошибочные действия персонала.

Не допускается эксплуатация изделия:

- При появлении дыма из корпуса изделия
- При поврежденном и/или оголенном сетевом кабеле
- при повреждении корпуса изделия, защитного кожуха, рукоятки
- при попадании жидкости в корпус
- при возникновении сильной вибрации
- при возникновении сильного искрения внутри корпуса

Критерии предельных состояний.

- При поврежденном и/или оголенном сетевом кабеле
- при повреждении корпуса изделия

Месяц	Январь	Февраль	Март	Апрель	Май	Июнь	Июль	Август	Сентябрь	Октябрь	Ноябрь	Декабрь	Год производства
Неделя	01	05	09	14	18	22	27	31	36	40	44	49	2014
	02	06	10	15	19	23	28	32	37	41	45	50	
	03	07	11	16	20	24	29	33	38	42	46	51	
	04	08	12	17	21	25	30	34	39	43	47	52	
	05	09	13	18	22	26	31	35	40	44	48		
			14			27							
Неделя	01	05	09	14	18	23	27	31	36	40	44	49	2015
	02	06	10	15	19	24	28	32	37	41	45	50	
	03	07	11	16	20	25	29	33	38	42	46	51	
	04	08	12	17	21	26	30	34	39	43	47	52	
		09	13	18	22	27	31	35	40	44	48	53	
			14				36				49		
Неделя	01	05	09	13	17	22	26	31	35	39	44	48	2016
	02	06	10	14	18	23	27	32	36	40	45	49	
	03	07	11	15	19	24	28	33	37	41	46	50	
	04	08	12	16	20	25	29	34	38	42	47	51	
		09	13	17	21	26	30	35	39	43	48	52	
			22					44					
Неделя	01	05	09	13	18	22	26	31	35	39	44	48	2017
	02	06	10	14	19	23	27	32	36	40	45	49	
	03	07	11	15	20	24	28	33	37	41	46	50	
	04	08	12	16	21	25	29	34	38	42	47	51	
	05	09	13	17	22	26	30	35	39	43	48	52	
					31			44					