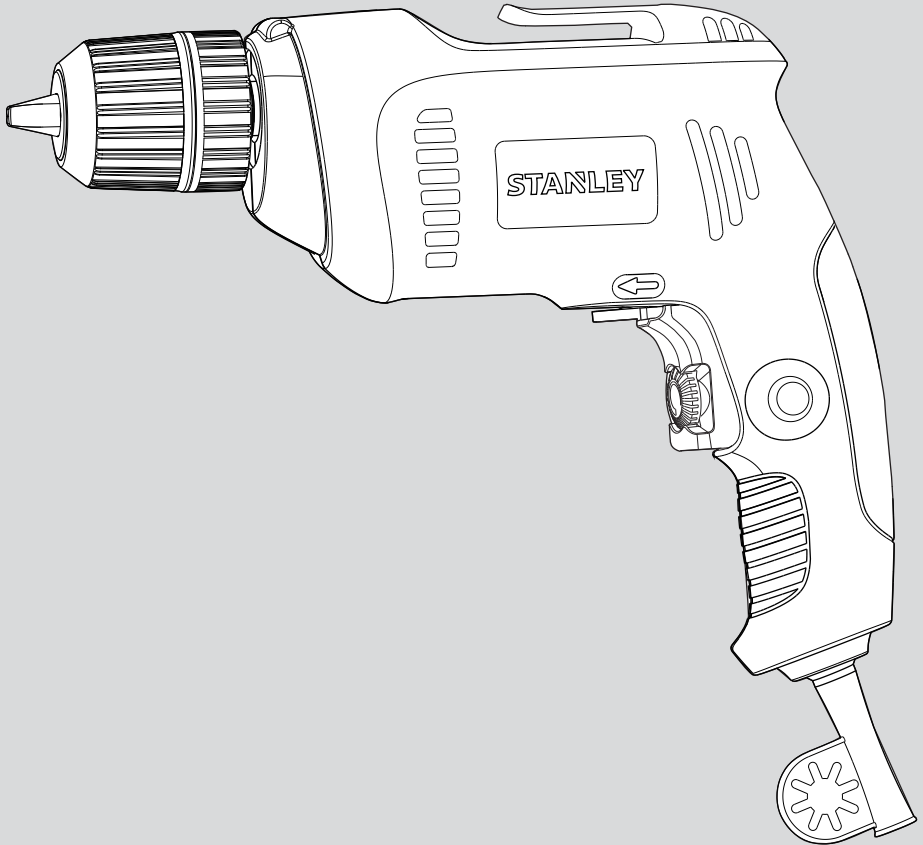


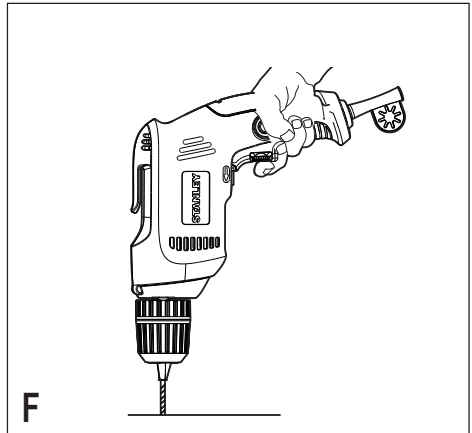
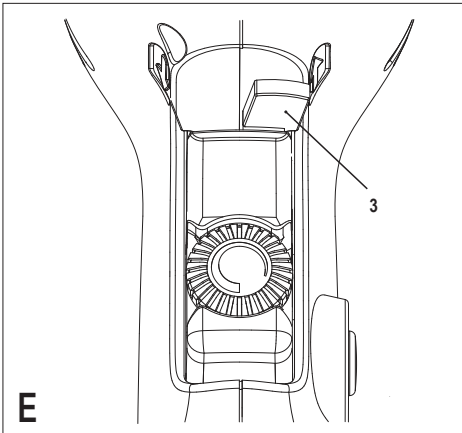
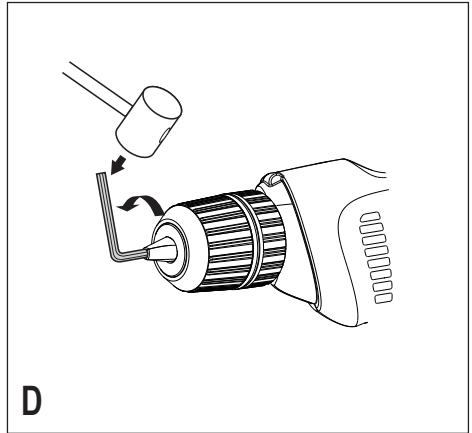
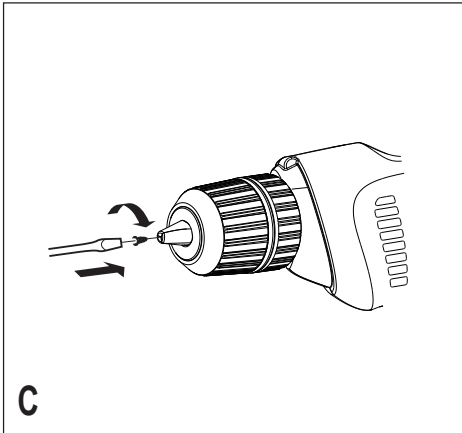
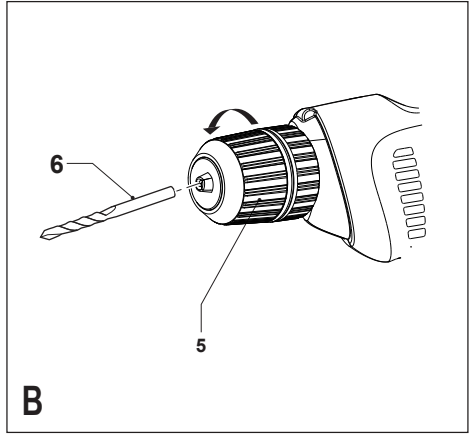
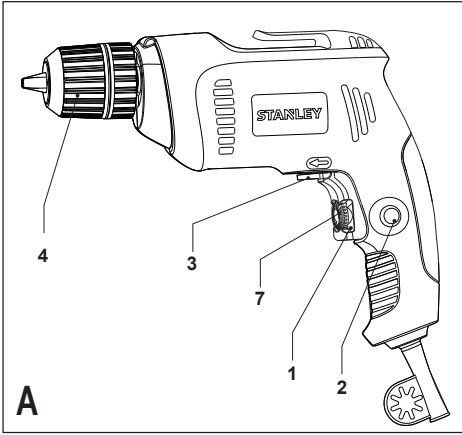
STANLEY



STDR5510C

English
Turkish

Page 3
Page 7



Technical data

STDR5510C		
Power	W	550
Voltage	V	220-240
Frequency	Hz	50/60
No-load Speed	/min	0-2800
Reverse		Yes
Lock On		Yes
Max Drilling Capacity		
Steel	mm	10
Wood	mm	25
Chuck Capacity	mm	1.0-10

Intended use

Your STANLEY rotary drill has been designed for drilling in wood, metal and plastic. This tool is intended for consumer use only.

Original Instruction

General Power Tool Safety Warnings



Warning! Read all safety warnings and all instructions. Failure to follow the warnings and instructions may result in electric shock, fire and/or serious injury.

Save all warnings and instructions for future reference.

The term "power tool" in the warnings refers to your mains-operated (corded) power tool or battery-operated (cordless) power tool.

1. Work area safety

- Keep work area clean and well lit.** Cluttered or dark areas invite accidents.
- Do not operate power tools in explosive atmospheres, such as in the presence of flammable liquids, gases or dust.** Power tools create sparks which may ignite the dust or fumes.
- Keep children and bystanders away while operating a power tool.** Distractions can cause you to lose control.

2. Electrical safety

- Power tool plugs must match the outlet. Never modify the plug in any way. Do not use any adapter plugs with earthed (grounded) power tools.** Unmodified plugs and matching outlets will reduce risk of electric shock.
 - Avoid body contact with earthed or grounded surfaces, such as pipes, radiators, ranges and refrigerators.** There is an increased risk of electric shock if your body is earthed or grounded.
 - Do not expose power tools to rain or wet conditions.** Water entering a power tool will increase the risk of electric shock.
 - Do not abuse the cord. Never use the cord for carrying, pulling or unplugging the power tool. Keep cord away from heat, oil, sharp edges or moving parts.** Damaged or entangled cords increase the risk of electric shock.
 - When operating a power tool outdoors, use an extension cord suitable for outdoor use.** Use of a cord suitable for outdoor use reduces the risk of electric shock.
 - If operating a power tool in a damp location is unavoidable, use a residual current device (RCD) protected supply.** Use of an RCD reduces the risk of electric shock.
- #### 3. Personal safety
- Stay alert, watch what you are doing and use common sense when operating a power tool. Do not use a power tool while you are tired or under the influence of drugs, alcohol or medication.** A moment of inattention while operating power tools may result in serious personal injury.
 - Use personal protective equipment. Always wear eye protection.** Protective equipment such as dust mask, non-skid safety shoes, hard hat, or hearing protection used for appropriate conditions will reduce personal injuries.
 - Prevent unintentional starting. Ensure the switch is in the off-position before connecting to power source and/or battery pack, picking up or carrying the tool.** Carrying power tools with your finger on the switch or energising power tools that have the switch on invites accidents.

- d. **Remove any adjusting key or wrench before turning the power tool on.** A wrench or a key left attached to a rotating part of the power tool may result in personal injury.
- e. **Do not overreach. Keep proper footing and balance at all times.** This enables better control of the power tool in unexpected situations.
- f. **Dress properly. Do not wear loose clothing or jewellery. Keep your hair, clothing and gloves away from moving parts.** Loose clothes, jewellery or long hair can be caught in moving parts.
- g. **If devices are provided for the connection of dust extraction and collection facilities, ensure these are connected and properly used.** Use of dust collection can reduce dust-related hazards.

4. Power tool use and care

- a. **Do not force the power tool. Use the correct power tool for your application.** The correct power tool will do the job better and safer at the rate for which it was designed.
 - b. **Do not use the power tool if the switch does not turn it on and off.** Any power tool that cannot be controlled with the switch is dangerous and must be repaired.
 - c. **Disconnect the plug from the power source and/or the battery pack from the power tool before making any adjustments, changing accessories, or storing power tools.** Such preventive safety measures reduce the risk of starting the power tool accidentally.
 - d. **Store idle power tools out of the reach of children and do not allow persons unfamiliar with the power tool or these instructions to operate the power tool.** Power tools are dangerous in the hands of untrained users.
 - e. **Maintain power tools. Check for misalignment or binding of moving parts, breakage of parts and any other condition that may affect the power tools operation. If damaged, have the power tool repaired before use.** Many accidents are caused by poorly maintained power tools.
 - f. **Keep cutting tools sharp and clean.** Properly maintained cutting tools with sharp cutting edges are less likely to bind and are easier to control.
 - g. **Use the power tool, accessories and tool bits etc. in accordance with these instructions, taking into account the working conditions and the work to be performed.** Use of the power tool for operations different from those intended could result in a hazardous situation.
- 5. Service**
- a. **Have your power tool serviced by a qualified repair person using only identical replacement parts.** This will ensure that the safety of the power tool is maintained.

Additional power tool safety warnings



Warning! Drill safety warnings

- **Wear ear protectors when impact drilling.** Exposure to noise can cause hearing loss.
- **Use auxiliary handle(s), if supplied with the tool.** Loss of control can cause personal injury.
- **Hold power tool by insulated gripping surfaces, when performing an operation where the cutting accessory may contact hidden wiring or its own cord.** Cutting accessory contacting a "live" wire may make exposed metal parts of the power tool "live" and could give the operator an electric shock.
- Use clamps or another practical way to secure and support the workpiece to a stable platform. Holding the work by hand or against your body leaves it unstable and may lead to loss of control.
- Before drilling into walls, floors or ceilings, check for the location of wiring and pipes.
- Avoid touching the tip of a drill bit just after drilling, as it may be hot.
- This tool is not intended for use by persons (including children) with reduced physical, sensory or mental capabilities, or lack of experience and knowledge, unless they have been given supervision or instruction concerning use of the appliance by a person responsible for their safety. Children should be supervised to ensure that they do not play with the appliance.
- The intended use is described in this instruction manual. The use of any accessory or attachment or performance of any operation with this tool other than those recommended in this instruction manual may present a risk of personal injury and/or damage to property.

Labels on tool

The label on your tool may include the following symbols:

	Read Instructions Manual	Hz Hertz		Class II Construction
	Use Eye Protection	W Watts		Earthing Terminal
	Use Ear Protection	min minutes		Safety Alert Symbol
		/min..	Revolutions or Reciprocation per minute
	V Volts Direct Current		
	A Amperes	n ₀ No-Load Speed		

Position of date barcode

The Date Code, which also includes the year of manufacture, is printed into the housing.

Example:

2014 XX JN
Year of manufacturing

Electrical safety



This tool is double insulated; therefore no earth wire is required. Always check that the power supply corresponds to the voltage on the rating plate.

- If the supply cord is damaged, it must be replaced by the manufacturer or an authorised STANLEY Service Centre in order to avoid a hazard.

Using an extension cable

- Always use an approved extension cable suitable for the power input of this tool (see technical data). Before use, inspect the extension cable for signs of damage, wear and ageing. Replace the extension cable if damaged or defective. When using a cable reel, always unwind the cable completely. Use of an extension cable not suitable for the power input of the tool or which is damaged or defective may result in a risk of fire and electric shock.

Features

This tool includes some or all of the following features.

1. Variable speed switch
2. Lock-on button
3. Forward/reverse slider
4. Chuck
5. Sleeve
6. Bit Shaft
7. Speed dial

Assembly

Warning! Before assembly, make sure that the tool is switched off and unplugged.

Inserting and removing bits (fig. A, B)

- Open the chuck by turning the sleeve (5) counterclockwise and insert the bit shank.
- Place the bit shaft (6) in the chuck as far as it will go and lift slightly before tightening.
- Tighten firmly by turning the sleeve clockwise.
- To remove the bit shaft (6), proceed in reverse order.

Removing and fitting the chuck (fig. C, D)

- Open the chuck jaws as far as possible.

- Insert a screwdriver into the chuck and remove the chuck retaining screw by turning clockwise as shown in figure C.
- Tighten a hex key into the chuck and strike it with a hammer as shown in figure D. This will loosen the chuck so that it can be unscrewed by hand.
- To refit the chuck, proceed in reverse order.

Use

Warning! Let the tool work at its own pace. Do not overload.

Warning! Before drilling into walls, floors or ceilings, check for the location of wiring and pipes.

Selecting the direction of rotation (fig. E)

For drilling and for tightening screws, use forward (clockwise) rotation. For loosening screws or removing a jammed drill bit, use reverse (counterclockwise) rotation.

- To select forward rotation, push the forward/reverse slider (3) to the left position.
- To select reverse rotation, push the forward/reverse slider to the right.

Viewed when holding the drill in the operating position. After any reversing operations, return slider (3) to forward position.

Warning! Never change the direction of rotation while the motor is running.

Switching on and off

- To switch the tool on, press the variable speed switch (1). The tool speed depends on how far you press the switch.
- For continuous operation, press the lock-on button (2) and release the variable speed switch. This option is available only at full speed.
- To switch the tool off, release the variable speed switch. To switch the tool off when in continuous operation, press the variable speed switch once more and release it.
- Based on the different applications, turn around the speed dial (7) to control the maximum speed.

Proper Hand Position (fig.F)



Warning! To reduce the risk of serious personal injury, ALWAYS use proper hand position as shown in figure F.

Warning! To reduce the risk of serious personal injury, **ALWAYS** hold securely in anticipation of a sudden reaction.

Drilling in metal

Start drilling with slow speed and increase to full power while applying firm pressure on the tool. A smooth even flow of metal chips indicates the proper drilling rate. Use a cutting lubricant when drilling metals. The exceptions are cast iron and brass which should be drilled dry.

Note: Large [5/16" (8 mm)] holes in steel can be made easier if a pilot hole [5/32" (4 mm)] is drilled first.

Drilling in wood

Start drilling with slow speed and increase to full power while applying firm pressure on the tool. Holes in wood can be made with the same twist drills used for metal. These bits may overheat unless pulled out frequently to clear chips from the flutes. Work that is apt to splinter should be backed up with a block of wood.

Accessories

The performance of your tool depends on the accessory used. STANLEY accessories are engineered to high quality standards and designed to enhance the performance of your tool. By using these accessories you will get the very best from your tool.

Maintenance

Your tool has been designed to operate over a long period of time with a minimum of maintenance. Continuous satisfactory operation depends upon proper tool care and regular cleaning.

Warning! Before performing any maintenance, switch off and unplug the tool.

- Regularly clean the ventilation slots in your tool using a soft brush or dry cloth.
- Regularly clean the motor housing using a damp cloth. Do not use any abrasive or solvent-based cleaner.

Remarks

- STANLEY's policy is one of continuous improvement to our products and as such, we reserve the right to modify product specifications without prior notice.
- Standard equipment and accessories may vary by country.
- Product specifications may differ by country.

L_{pA} (sound pressure)	dB(A)	84
K_{pA} (sound pressure uncertainty)	dB(A)	3
L_{WA} (sound power)	dB(A)	95
K_{WA} (sound power uncertainty)	dB(A)	3

Vibration emission value a_h Check (Drilling)

Main handle (a_h) =	m/s^2	5.1
Uncertainty K =	m/s^2	1.5

The vibration emission level given in this information sheet has been measured in accordance with a standardised test given in EN 60745 and may be used to compare one tool with another. It may be used for a preliminary assessment of exposure.



Warning: The declared vibration emission level represents the main applications of the tool.

However if the tool is used for different applications, with different accessories or poorly maintained, the vibration emission may differ. This may significantly increase the 1.5exposure level over the total working period.

An estimation of the level of exposure to vibration should also take into account the times when the tool is switched off or when it is running but not actually doing the job. This may significantly reduce the exposure level over the total working period.

Identify additional safety measures to protect the operator from the effects of vibration such as: maintain the tool and the accessories, keep the hands warm, organisation of work patterns.

Protecting the environment



Separate collection. This product must not be disposed of with normal household waste.

Should you find one day that your STANLEY product needs replacement, or if it is of no further use to you, do not dispose of it with household waste. Make this product available for separate collection.



Separate collection of used products and packaging allows materials to be recycled and used again.

Re-use of recycled materials helps prevent environmental pollution and reduces the demand for raw materials.

Local regulations may provide for separate collection of electrical products from the household, at municipal waste sites or by the retailer when you purchase a new product. STANLEY provides a facility for the collection and recycling of STANLEY products once they have reached the end of their working life. To take advantage of this service please return your product to any authorised repair agent who will collect them on our behalf.

You can check the location of your nearest authorised repair agent by contacting your local STANLEY office at the address indicated in this manual. Alternatively, a list of authorised STANLEY repair agents and full details of our after-sales service and contacts are available on the Internet at: www.2helpU.com

EC declaration of conformity

MACHINERY DIRECTIVE



STDR5510C

STANLEY declares that these products described under "technical data" are in compliance with: 2006/42/EC, EN 60745-1, EN 60745-2-6

These products also comply with Directive 2014/30/EU and 2011/65/EU. For more information, please contact STANLEY at the following address or refer to the back of the manual.

The undersigned is responsible for compilation of the technical file and makes this declaration on behalf of STANLEY.

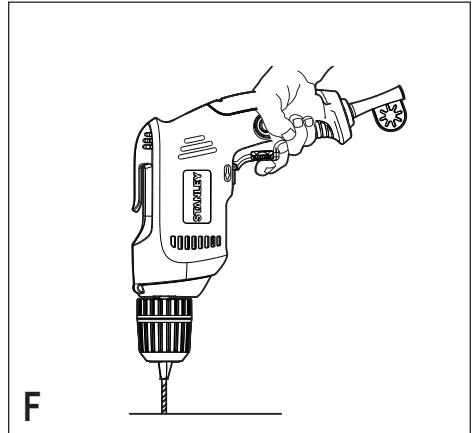
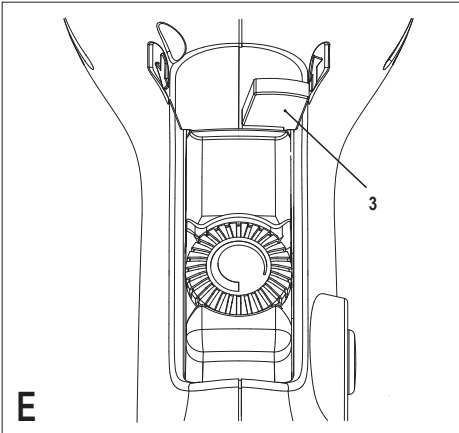
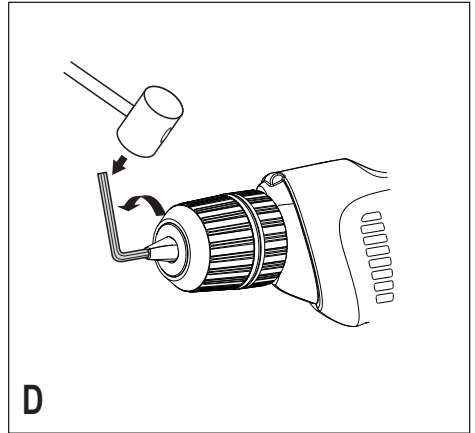
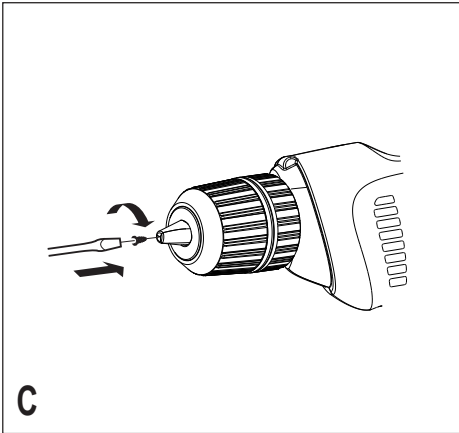
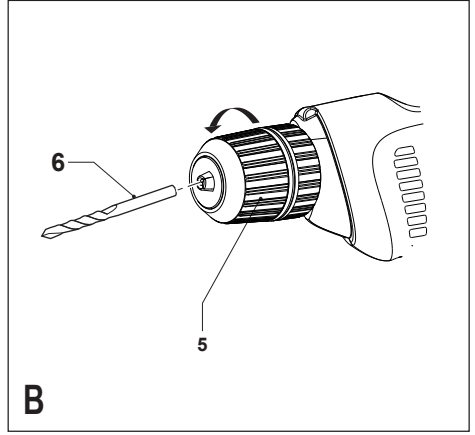
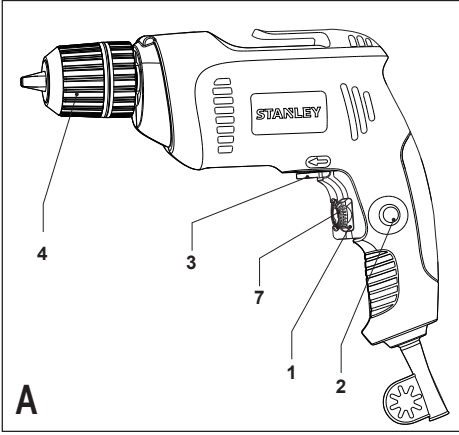
R.Laverick
Engineering Manager
STANLEY, Europe, Egide Walschaertsstraat14-18,
2800 Mechelen, Belgium
09.2014

Two years full warranty

If your Stanley product becomes defective due to faulty materials or workmanship within 24 months from the date of purchase, Stanley Europe guarantees to replace all defective parts free of charge or – at our discretion – replace the unit free of charge provided that:

- The product has not been misused and has been used in accordance with the instruction manual.
- The product has been subject to fair wear and tear;
- Repairs have not been attempted by unauthorised persons;
- Proof of purchase is produced.
- The Stanley product is returned complete with all original components

If you wish to make a claim, contact your seller or check the location of your nearest authorised Stanley repair agent in the Stanley catalogue or contact your local Stanley office at the address indicated in this manual. A list of authorised Stanley repair agents and full details of our after sales service is available on the internet at: www.stanleytools.com



Teknik veri

STDR5510C		
Güç	W	550
Voltaj	V	220-240
Frekans	Hz	50/60
Yüksüz Hiz	/min	0-2800
Geri		Evet
Kesintisiz çalıştırma		Evet
Max Delme Kapasitesi		
Çelik	mm	10
Ahşap	mm	25
Mandren Kapasite	mm	1.0-10

Kullanım amacı

STANLEY darbesiz matkabınız, ahşap, metal ve plastik delme için tasarlanmıştır. Bu alet sadece tüketici kullanımı için tasarlanmıştır.

Orijinal Talimatlar

Genel elektrikli alet güvenlik uyarıları



Uyarı! Bütün güvenlik uyarılarını ve tüm talimatları okuyun. Aşağıda yer alan uyarılar ve talimatlara uyulmaması elektrik çarpması, yangın ve/veya ciddi yaralanmalara neden olabilir.

Bütün uyarı ve talimatları ileride bakmak üzere saklayın.

Aşağıda listelenen tüm uyarılarda kullanılan "elektrikli alet" terimi şebeke elektriği ile (kablolu) veya aküyle (kablesiz) çalışan elektrikli aleti ifade etmektedir.

1. Çalışma alanının güvenliği

- Çalışma alanını temiz ve aydınlık tutun.** Dağınık ve karanlık alanlar kazaya davetiye çıkarır.
- Elektrikli aletleri, yanıcı sıvılar, gazlar ve tozların bulunduğu yerler gibi yanıcı ortamlarda çalıştırmayın.** Elektrikli aletler, toz veya dumanları ateşleyebilecek kıvılcımlar çıkarır.
- Bir elektrikli aleti çalıştırırken çocuklardan ve etraftaki kişilerden uzak tutun.** Dikkatinizi dağıtıcı şeyler kontrolü kaybetmenize neden olabilir.

2. Elektrik güvenliği

- Elektrikli aletlerin fişleri prizlere uygun olmalıdır. Fiş üzerinde kesinlikle hiçbir değişiklik yapmayın. Topraklı (topraklanmış) elektrikli aletlerde hiçbir adaptor fişi kullanmayın.** Değiştirilmemiş fişler ve uygun prizler elektrik çarpması riskini azaltacaktır.
 - Borular, radyatörler, ocaklar ve buzdolapları gibi topraklanmış yüzeylerle vücut temasından kaçınınız.** Vücudunuzun topraklanması halinde yüksek elektrik çarpması riski vardır.
 - Elektrikli aletleri yağmura maruz bırakmayın veya ıslatmayın.** Elektrikli alete su girmesi, elektrik çarpması riskini artıracaktır.
 - Kablosuna zarar vermeyin. Elektrikli aleti kesinlikle kablosundan tutarak taşımayın, çekmeyin veya prizden çıkarmayın. Kabloyu sıcağın, yağdan, keskin kenarlardan veya hareketli parçalardan uzak tutun.** Hasarlı veya dolaşmış kablolar elektrik çarpması riskini artırır.
 - Elektrikli aleti açık havada kullanırken, açık hava kullanımına uygun bir uzatma kablosu kullanın.** Açık havada kullanıma uygun bir kablolu kullanılması elektrik çarpması riskini azaltır.
 - Eğer bir elektrikli aleti nemli bir bölgede çalıştırması zorunluysa, bir artık akım aygıtı (RCD) korumalı bir kaynak kullanın.** Bir RCD kullanılması elektrik çarpması riskini azaltır.
3. Kişisel güvenlik
- Elektrikli bir alet kullanırken her zaman dikkatli olun, yaptığınız işe yoğunlaşın ve sağduyulu davranın. Elektrikli bir aleti yorgunken veya ilaç ya da alkolün etkisi altındayken kullanmayın.** Elektrikli aletleri kullanırken bir anlık dikkatsizlik ciddi yaralanmalara yol açabilir.
 - Kişisel koruyucu ekipmanları mutlaka kullanın.** Daima koruyucu gözlük takın. Koşullara uygun toz maskesi, kaymayan güvenlik ayakkabıları, baret veya kulaklık gibi koruyucu donanımların kullanılması kişisel yaralanmaları azaltacaktır.
 - İstem dışı çalıştırılmasını önleyin. Cihazı güç kaynağına ve/veya aküye bağlamadan, kaldırmadan veya taşımadan önce düğmenin kapalı konumda olduğundan emin olun.** Aleti, parmağınızın düğme üzerinde bulunacak şekilde taşımak veya açık konumdaki elektrikli aletleri elektrik şebekesine bağlamak kazaya davetiye çıkarır.

d. Elektrikli aleti çalıştırmadan önce herhangi bir ayarlama anahtarını veya vida anahtarını çıkarın. Elektrikli aletin hareketli parçasına takılı bırakılan bir vida anahtarını veya anahtar, kişisel yaralanmaya neden olabilir.

e. Ulaşmakta zorlandığınız yerlerde kullanmayın. Her zaman sağlam ve dengeli basın. Bu, beklenmedik durumlarda elektrikli aletin daha iyi kontrol edilmesine olanak tanır.

f. Uygun şekilde giyinin. Bol giysiler giymeyin ve takı takmayın. Saçınızı, giysinizi ve eldivenlerinizi hareketli parçalardan uzak tutun. Bol giysiler, takılar veya uzun saçlar hareketli parçalara takılabilir.

g. Eğer kullandığınız üründe toz emme ve toplama özellikleri olan ataşmalar varsa bunların bağlı olduğundan ve doğru şekilde kullanıldığında emin olun. Bu toz toplama ataşmaların kullanılması tozla ilgili tehlikeleri azaltabilir.

4. Elektrikli aletlerin kullanımı ve bakımı

a. Elektrikli aleti zorlamayın. Uygulamanız için doğru elektrikli aleti kullanın. Doğru elektrikli alet, belirlendiği kapasite ayarında kullanıldığında daha iyi ve güvenli çalışacaktır.

b. Düğme açmıyor ve kapatmıyorsa elektrikli aleti kullanmayın. Düğmeyle kontrol edilemeyen tüm elektrikli aletler tehlikelidir ve tamir edilmesi gerekmektedir.

c. Herhangi bir ayarlama, aksesuar değişimi veya elektrikli aletlerin saklanması öncesinde fişi güç kaynağından çekin. Bu tür önleyici güvenlik tedbirleri aletin istem dışı çalıştırılması riskini azaltır.

d. Elektrikli aleti, çocukların ulaşamayacağı yerlerde saklayın ve elektrikli aleti tanımayan veya bu talimatları bilmeyen kişilerin elektrikli aleti kullanmasına izin vermeyin. Elektrikli aletler, eğitimsiz kullanıcıların elinde tehlikelidir.

e. Elektrikli aletlerin bakımını yapın. Hareketli parçalardaki hizalama hatalarını ve tutuklukları, parçalardaki kırılmalar ve elektrikli aletin çalışmasını etkileyebilecek tüm koşulları kontrol edin. Hasarlı ise, elektrikli aleti kullanmadan önce tamir ettirin. Kazaların çoğu, elektrikli aletlerin bakımının yeterli şekilde yapılmamasından kaynaklanır.

f. Kesim aletlerini keskin ve temiz tutun. Bakımı uygun şekilde yapılmış keskin kesim uçlu kesim aletlerinin sıkışma ihtimali daha düşüktür ve kontrol edilmesi kolaydır.

g. Elektrikli aleti, aksesuarlarını ve aletin diğer parçalarını vs. kullanırken bu talimatlara mutlaka uyun ve elektrikli alet türü için öngörüldüğü şekilde, çalışma ortamının koşullarını ve yapılacak işin ne olduğunu göz önünde bulundurun. Elektrikli aletin öngörülen işlemler dışındaki işlemler için kullanılması tehlikeli durumlara neden olabilir.

5. Servis

a. Elektrikli aletinizi, sadece orijinal yedek parçaların kullanıldığı yetkili servise tamir ettirin. Bu, elektrikli aletin güvenliğinin muhafaza edilmesini sağlayacaktır.

Elektrikli alet için ek güvenlik talimatları



Uyarı! Matkap güvenlik uyarıları

- Darbeli matkap kullanırken kulaklık takın. Yüksek sese maruz kalmak işitme kaybına yol açabilir.
- Aletle birlikte verildi ise, yardımcı kolu (kolları) kullanın. Kontrol kaybı kişisel yaralanmalara neden olabilir.
- Kesme aksesuarlarının gizli kabloları veya kendi kablolarına temas edebileceği yerlerde çalışma yaparken elektrikli aleti yalıtımlı kavrama yüzeylerinden tutun. Kesme aksesuarlarının "akım taşıyan" bir kabloya temas etmesi durumunda elektrikli aletin metal kısımları da "akım taşıyıcı" hale gelebilir ve kullanıcının çarpılmasına neden olabilir.
- Üzerinde çalıştığınız parçayı sabitlemek ve desteklemek için kelepçeler veya başka pratik yöntemler kullanın. Parçayı elle tutmanız veya vücudunuza dayamanız, dengesiz bırakır ve kontrol kaybına yol açabilir.
- Duvar, zemin veya tavanda delik açmadan önce kablo ve boruların konumunu kontrol edin.
- Delme işleminin hemen ardından matkap ucuna dokunmaktan kaçının, sıcak olabilir.
- Bu alet fiziksel, zihinsel veya algılama gücü azalmış veya yeterince deneyim ve bilgisi bulunmayan kişiler (çocuklar dahil) tarafından kullanılmak üzere üretilmemiştir, bu tür kişiler aleti ancak güvenliklerinden sorumlu bir kişi tarafından cihazın kullanımıyla ilgili talimatları verilmesi veya sürekli kontrol altında tutulması ile kullanabilir. Çocuklar, aletle oynamalarını önlemek amacıyla kontrol altında tutulmalıdır.
- Kullanım amacı bu kullanım kılavuzunda açıklanmıştır. Herhangi bir aksesuarın veya bağlantının ya da işlemin, bu kılavuzda tavsiye edilen şekilden başka bir şekilde kullanılması şahısların yaralanmalarına ve/veya mal hasarına yol açabilir.

Alet üzerindeki etiketler

Alet üzerinde aşağıdaki semboller bulunabilir:



Kullanım Kılavuzunu Okuyun

Hz Hertz
W Vat



..... Sınıf II İnşaat



Koruyucu Gözlük kullanın

dak dakika
~ Alternatif Akım



..... Topraklama Terminal Güvenlik uyarısı Sembölü



Kulaklık Kullanın

===== Direkt Akım



.../min... Dakikada devir veya gel git sayısı

V Volt
A Amper

boş Yüksüz
Hz

Position of date barcode

The Date Code, which also includes the year of manufacture, is printed into the housing.

Example:

2014 XX JN
Year of manufacturing

Elektrik güvenliği

Bu alet çift yalıtımlıdır. Bu yüzden hiçbir topraklama kablosuna gerek yoktur. Her zaman şebeke geriliminin aletin üretim etiketinde belirtilmiş değerlere uyup uymadığını kontrol edin.

- Elektrik kablosu hasarlı ise, bir tehlike oluşmasını önlemek için üretici ya da yetkili Stanley Servis Merkezi tarafından değiştirilmelidir.

Uzatma kablosu kullanılması

- Daima bu aletin elektrik girişine (teknik verilere bakın) uygun bir onaylanmış uzatma kablosu kullanın. Kullanmadan önce, aşınma, eskime ve hasar tespiti için uzatma kablosunu kontrol edin. Hasarlı veya kusurlu ise, uzatma kablosunu değiştirin. Bir kablo makarası kullanırken, her zaman kabloyu tamamen açın. Aletin güç girişi için uygun olmayan, hasarlı veya kusurlu uzatma kablosunun kullanılması yangın veya elektrik çarpması riskine neden olabilir.

Özellikler

Bu alet, aşağıdaki özelliklerin bir kısmını ya da tümünü içermektedir.

1. Değişken hız anahtarı
2. Kesintisiz çalıştırma düğmesi
3. İleri/geri sürgüsü
4. Mandren
5. Kol
6. Mil Ucu
7. Hız çevirme

Montaj

Uyarı! Montajdan önce, aletin kapalı ve fişinin çekildiğinden emin olun.

Uçların takılması ve çıkarılması (şekil A, B)

- Kovanı (5) saatin tersi yönünde çevirerek mandreni açın ve matkap şaftını takın.
- Mil ucunu (6) mandrene olabildiğince yerleştirin ve sıkıştırmadan önce hafifçe kaldırın.

- Kovanı saat yönünde sıkışana kadar döndürün.
- Mil ucunu (6) çıkartmak için tersini yapın.

Mandreni çıkartma ve takma (şekil C, D)

- Mandrenin ağzını mümkün olduğunca açın.
- Mandrenin içindeki tutucu vidayı çıkarmak için, bir tornavidayı mandrenin içine sokun ve şekil C'de gösterildiği gibi saat yönünde çevirin.
- Bir altıgen anahtarı mandrene sıkıştırın ve şekil D'de gösterildiği gibi bir çekiçle vurun. Bu mandreni gevşetir, böylece el ile sökebilirsiniz.
- Mandreni yeniden yerleştirmek için tersini yapın.

Kullanımı

Uyarı! Aletin kendi hızında çalışmasına izin verin. Aşırı yüklenmeyin.

Uyarı! Duvar, zemin veya tavanda delik açmadan önce kablo ve boruların durumunu kontrol edin.

Dönme yönünün seçilmesi (şekil E)

Delik açma ve vida sıkma uygulamaları için ileri (saat yönünde) dönmeyi kullanın. Vidaları gevşetmek ve sıkışmış bir matkap ucunu çıkartmak için geri (saatin ters yönünde) dönmeyi kullanın.

- İleri dönmeyi seçmek için ileri/geri sürgüsünü (3) sola itin.
- Geri dönmeyi seçmek için ileri/geri sürgüsünü sağa itin.

Matkap, çalışma pozisyonunda görüntüleniyor. Herhangi bir geri işlemenden sonra, kaydırıcıyı (3) ileri konuma itin.

Uyarı! Dönme yönünü, kesinlikle motor çalışır durumdayken değiştirmeyin.

Açma ve kapatma

- Aleti açmak için değişken hız düğmesine basın (1). Aletin hızı düğmeye ne kadar bastığınıza bağlıdır.
- Sürekli çalışması için kesintisiz çalıştırma düğmesine basın (2) ve değişken hız düğmesini bırakın. Bu seçeneğe sadece tam hızda kullanılabilir.
- Aleti kapatmak için, değişken hız düğmesini bırakın. Sürekli çalışma esnasında aleti kapatmak için, bir kez değişken hız düğmesine basın ve bırakın.
- Farklı uygulamalar kapsamında, maksimum hızı kontrol etmek için (7) hızlı çevirmeyi etrafında çevirin.

Uygun el pozisyonu (şekil F)

Uyarı! Ciddi kişisel yaralanma riskini azaltmak için, DAİMA şekil F'de gösterildiği gibi uygun el pozisyonunu kullanın.

Uyarı! Ciddi kişisel yaralanma riskini azaltmak için, ani tepki ihtimaline karşı aleti DAİMA sıkıca tutun.

Metal delme

Alet üzerine sağlam bir baskı uygularken, yavaş hızda delmeye başlayıp tam hızda çalışmaya getirin. Metal talaşının düzgün bir şekilde çıkması uygun delme hızını gösterir. Metal delerken bir kesme yağı kullanın. İstisnalar, kuru delinmesi gereken demir ve pirinç dökümleridir.

Not: Önce bir pilot delik açılırsa [5/32" (4 mm)] geniş [5/16" (8 mm)] çelik delikler daha kolay yapılabilir.

Ahşap delme

Alet üzerine sağlam bir baskı uygularken, yavaş hızda delmeye başlayıp tam hızda çalışmaya getirin. Ahşap delikler metal için kullanılan aynı burgulu matkap ucu ile yapılabilir. Bu uçlar, sık sık yerlerinden çıkartılıp temizlenmezse aşırı derecede ısınabilir. Küçük parçaların sıçramasına eğilimli çalışmalarda, ahşap bir blokla desteklenmelidir.

Aksesuarlar

Elektrikli aletinizin performansı kullanılan aksesuara bağlıdır. STANLEY aksesuarları, yüksek kalite standartlarına göre üretilmiş ve aletinizin performansını arttıracak şekilde tasarlanmıştır. Bu aksesuarları kullanarak, aletinizden en iyi verimi alacaksınız.

Bakım

Stanley aletinizin minimum bakımla uzun bir süre çalışacak şekilde tasarlanmıştır. Kesintisiz olarak memnuniyet verici bir şekilde çalışması gerekli özenin gösterilmesine ve düzenli temizliğe bağlıdır.

Uyarı! Herhangi bir bakım yapmadan önce, aleti kapatın ve fişini çekin.

- Aletinizin havalandırma deliklerini yumuşak bir fırça veya kuru bir bezle düzenli olarak silin.
- Motor gövdesini düzenli olarak nemli bir bezle silin. Aşındırıcı veya çözücü bazlı temizleyiciler kullanmayın.

Notlar

- STANLEY'in politikalarından biri, ürünlerimizi sürekli olarak iyileştiririz ve bu itibarla, ürün özelliklerinden önceden haber vermeden değiştirme hakkını saklı tutarız.
- Standart donanım ve aksesuarlar ülkeye göre farklılık gösterebilir.

- Ürün özellikleri ülkeye göre farklılık gösterebilir.

L_{pA} (ses basıncı)	dB(A)	84
K_{pA} (ses basıncı belirsizli i)	dB(A)	3
L_{WA} (akustik güç)	dB(A)	95
K_{WA} (akustik güç belirsizli i) uncertainty)	dB(A)	3
Titre im emisyonu de eri a_{H} Kontrol (delme)		
ana sap (a_H) =	m/s^2	5,1
Belirsizlik K =	m/s^2	1.5

Bu bilgi sayfasında verilen titreşim emisyon düzeyi, EN 60745'te sağlanan standart teste uygun olarak ölçülmüştür ve aletleri birbiriyle karşılaştırmak için kullanılabilir. Ön maruziyet değerlendirmesi için kullanılabilir.



Uyarı: Beyan edilen titreşim emisyon düzeyi, aletin ana uygulamalarını yansıtır. Ancak, alet farklı aksesuarlarla farklı uygulamalar için kullanılırsa veya bakımı kötü yapılırsa, titreşim emisyonu değişebilir. Bu, toplam maruziyet düzeyini 1,5 oranında artırabilir.

Tahmini titreşim maruziyeti, aletin kapalı kaldığı veya çalışmasına karşın iş görmediği zamanları da dikkate almalıdır. Bu, toplam çalışma süresindeki maruziyet düzeyini önemli ölçüde azaltabilir.

Kullanıcıyı titreşim etkilerinden korumak için belirtilen ek güvenlik önlemlerini alın: aletin ve aksesuarın bakımını yapın, elleri sıcak tutun, çalışma modellerini düzenleyin.

Çevrenin korunması

Ayrı toplanmalı. Bu ürün normal ev atıklarıyla birlikte atılmamalıdır.

Stanley ürünlerinizin değiştirilmesi gerektiğinde ya da artık kullanmanızı gerektirmeyen bir gün geldiğinde, evsel atıklarla birlikte atmayın. Bu ürünün ayrı toplanmasını sağlayın.



Kullanılmış ürünlerin ve ambalajların ayrı toplanması bu maddelerin geri dönüşüme tabii tutularak yeniden kullanılmasına olanak tanır.

Yeniden kullanım, geri dönüşümlü malzemelerin çevre kirliliğinin önlenmesine yardımcı olur ve ham madde ihtiyacını azaltır.

Yerel düzenlemeler, elektrikli ürünlerin evlerden toplanıp belediye atık tesislerine aktarılmasını veya yeni bir ürün satın alırken perakende satıcı tarafından toplanmasını sağlayabilir. Stanley hizmet ömrünün sonuna ulaşan Stanley ürünlerinin toplanması ve geri dönüşüme sokulması için bir imkan sunmaktadır. Bu hizmetin avantajlarından faydalanmak için, lütfen, ürününüzü bizim adımıza teslim alacak herhangi bir yetkili servise iade edin.

Bu kılavuzda belirtilen adresteki yerel Stanley ofisine başvurarak size en yakın yetkili tamir servisinin yerini öğrenebilirsiniz. Alternatif olarak, internet'ten Stanley yetkili tamir servislerinin listesini ve satış sonrası hizmetlerimizle ilgili tüm bilgiler ve temas bilgilerine bu adresten ulaşabilirsiniz: www.2helpU.com

AT uygunluk beyanı
MAKİNE DİREKTİFİ**STDR5510C**

STANLEY, "teknik özellikler" bölümünde açıklanan bu ürünlerin bu yönergelere uygun olduğunu beyan eder: 2006/42/EC, EN 60745-1, EN 60745-2-6

Bu ürünler aynı zamanda Direktif ile uyumludur 2004/30/EC ve 2011/65/EU. Daha fazla bilgi için, lütfen aşağıdaki adresten STANLEY ile temasa geçin veya kılavuzun arkasına bakın.

Bu belge altında imzası bulunan yetkili, teknik dosyanın derlenmesinden sorumludur ve bu beyanı STANLEY adına vermiştir.

R. Laverick
Mühendislik Müdürü
STANLEY, Europe, Egide Walschaertsstraat14-18,
2800 Mechelen, Belgium
01.2015

İki yıl tam garanti

Stanley ürününüz, satın alma tarihinden itibaren 24 ay içinde hatalı malzeme veya işçilik nedeniyle bozulursa, Stanley Avrupa tüm arızalı parçaları ücretsiz değiştirmeyi garanti ediyor veya – takdirimize bağlı olarak – birimlerin ücretsiz olarak değiştirilme koşulları şunlardır:

- Ürün, yanlış kullanılmamıştır ve kullanım kılavuzuna uygun olarak kullanılmıştır.
- Ürün, normal aşınma ve yıpranmaya maruz kalmıştır;
- Onarımlar, yetkisiz kişiler tarafından yapılmamıştır;
- Satın alma belgesi, ibraz ediliyor.
- Stanley ürünü tüm orijinal bileşenleri ile tam olarak geri getiriliyor

Bir talepte bulunmak isterseniz, satıcınızla temasa geçin veya Stanley kataloğunda size en yakın yetkili Stanley onarım servisinin yerini kontrol edin veya bu kılavuzda belirtilen adresteki yerel Stanley ofisine başvurun. Yetkili Stanley tamir ajanları ve satış sonrası hizmetlerimizle ilgili tüm detayların bir listesini bu internet adresinde bulabilirsiniz: www.stanleytools.com

Sanayi ve Ticaret Bakanlığı tebliğince kullanım ömrü 7 yıldır.

Türkiye Distribütörü
STANLEY BLACK&DECKER TURKEY ALET ÜRETİM SAN. TIC. LTD.STI.
Kozyatağı Mh Değirmen Sk. Nida Kule No:18 Kat:6
34742 Kadıköy İstanbul
Tel : (0216) 665 29 00
Faks : (0216) 665 29 01
E-posta: info-tr@sbdinc.com

