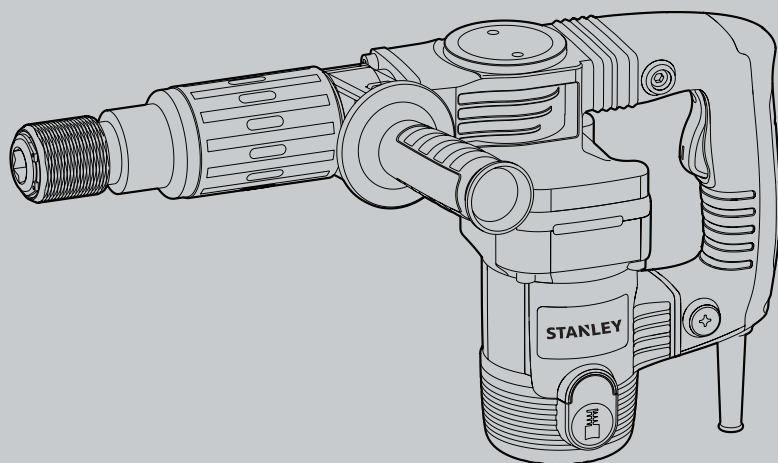


STANLEY



STHM5

English (Original Instruction)	4
繁體中文	9
한국어	14
BAHASA INDONESIA	19
ภาษาไทย	24
TIẾNG VIỆT	29

Figure 1

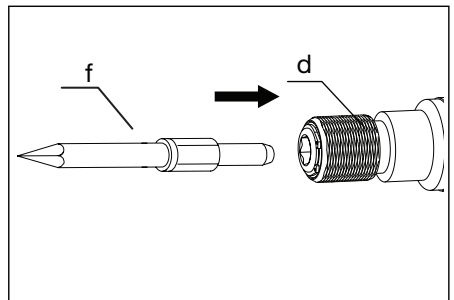
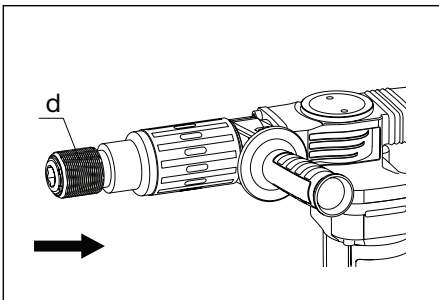
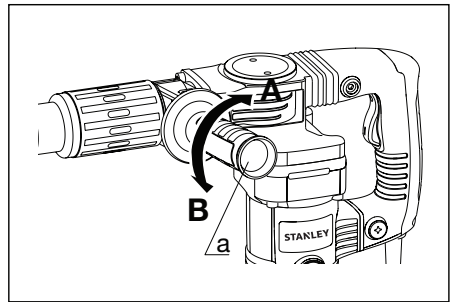
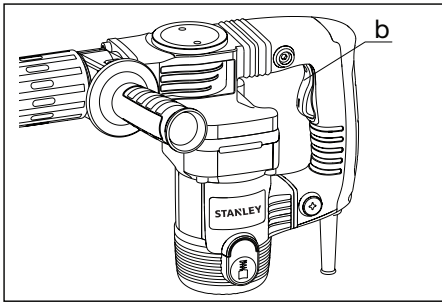
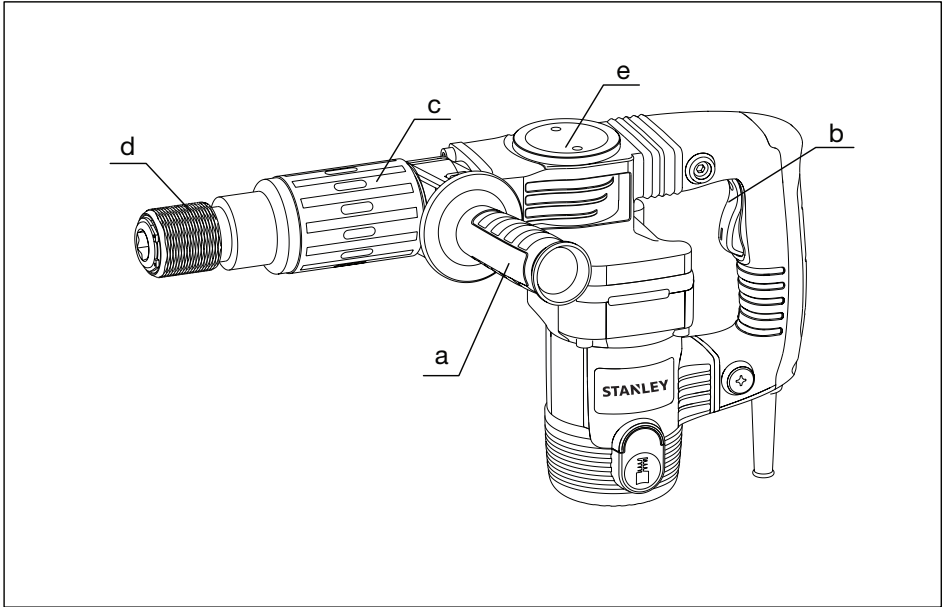


Figure 2

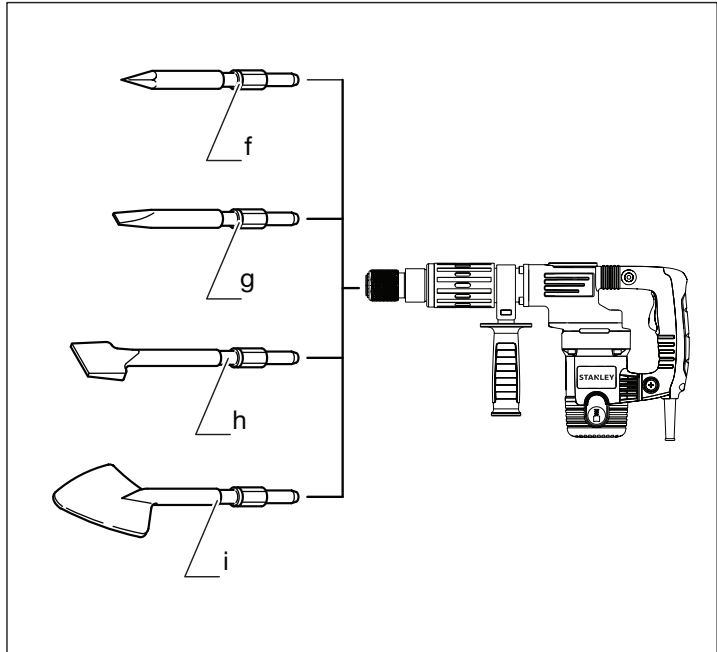


Figure 3

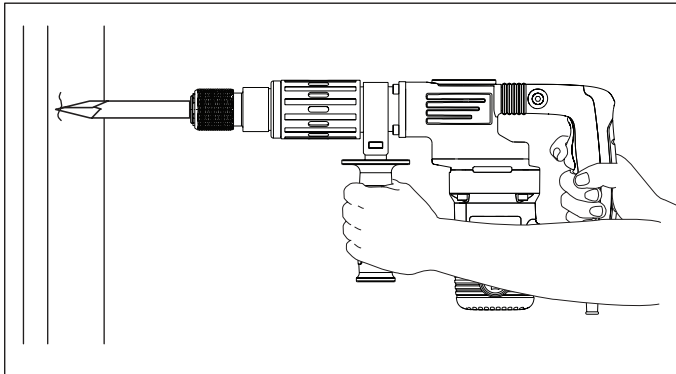
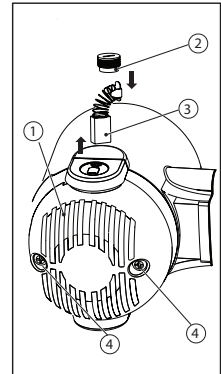


Figure 4



Demolition Hammer STHM5

Technical data

SPECIFICATION		STHM5			
		-B1	-XD	-TW	-KR
Voltage	V	220-240	220-240	110	220
Frequency	Hz	50/60	50/60	60	60
Power			W		1010
Impact rate			bpm		2900
Impact energy			J		8.5
Chisel positions					6
Chuck type		mm			Hex 17
Weight			kg		6.1

Intended use

Your Stanley Demolition Hammer has been designed for professional light or medium chipping, chiselling and demolition applications in concrete, brick and masonry.

General Power Tool Safety Warnings



WARNING! Read all safety warnings and instructions. Failure to follow the warnings and instructions may result in electric shock, fire and/or serious injury.

SAVE ALL WARNINGS AND INSTRUCTIONS FOR FUTURE REFERENCE.

The term "power tool" in the warnings refers to your mains-operated (corded) power tool or battery-operated (cordless) power tool.

1. Work area safety

- Keep work area clean and well lit.** Cluttered or dark areas invite accidents.
- Do not operate power tools in explosive atmospheres, such as in the presence of flammable liquids, gases or dust.** Power tools create sparks which may ignite the dust or fumes.
- Keep children and bystanders away while operating a power tool.** Distractions can cause you to lose control.

2. Electrical safety

- Power tool plugs must match the outlet. Never modify the plug in any way. Do not use any adapter plugs with earthed (grounded) power tools.** Unmodified plugs and matching outlets will reduce risk of electric shock.
- Avoid body contact with earthed or grounded surfaces such as pipes, radiators, ranges and refrigerators.** There is an increased risk of electric shock if your body is earthed or grounded.
- Do not expose power tools to rain or wet conditions.** Water entering a power tool will increase the risk of electric shock.
- Do not abuse the cord. Never use the cord for carrying, pulling or unplugging the power tool. Keep cord away from heat, oil, sharp edges or moving parts.** Damaged or entangled cords increase the risk of electric shock.
- When operating a power tool outdoors, use an extension cord suitable for outdoor use.** Use of a cord suitable for outdoor use reduces the risk of electric shock.
- If operating a power tool in a damp location is unavoidable, use a residual current device (RCD) protected supply.** Use of an RCD reduces the risk of electric shock.

3. Personal safety

- Stay alert, watch what you are doing and use common sense when operating a power tool. Do not use a power tool while you are tired or under the influence of drugs, alcohol or medication.** A moment of inattention while operating power tools may result in serious personal injury.
- Use personal protective equipment. Always wear eye protection.** Protective equipment such as dust mask, non-skid safety shoes, hard hat, or hearing protection used for appropriate conditions will reduce personal injuries.
- Prevent unintentional starting. Ensure the switch is in the off-position before connecting to power source and/or battery pack, picking up or carrying the tool.** Carrying power tools with your finger on the switch or energising power tools that have the switch on invites accidents.
- Remove any adjusting key or wrench before turning the power tool on.** A wrench or a key left attached to a rotating part of the power tool may result in personal injury.
- Do not overreach. Keep proper footing and balance**

at all times. This enables better control of the power tool in unexpected situations.

- f. **Dress properly. Do not wear loose clothing or jewellery. Keep your hair, clothing and gloves away from moving parts.** Loose clothes, jewellery or long hair can be caught in moving parts.
 - g. **If devices are provided for the connection of dust extraction and collection facilities, ensure these are connected and properly used.** Use of dust collection can reduce dust-related hazards.
4. **Power tool use and care**
 - a. **Do not force the power tool. Use the correct power tool for your application.** The correct power tool will do the job better and safer at the rate for which it was designed.
 - b. **Do not use the power tool if the switch does not turn it on and off.** Any power tool that cannot be controlled with the switch is dangerous and must be repaired.
 - c. **Disconnect the plug from the power source and/or the battery pack from the power tool before making any adjustments, changing accessories, or storing power tools.** Such preventive safety measures reduce the risk of starting the power tool accidentally.
 - d. **Store idle power tools out of the reach of children and do not allow persons unfamiliar with the power tool or these instructions to operate the power tool.** Power tools are dangerous in the hands of untrained users.
 - e. **Maintain power tools. Check for misalignment or binding of moving parts, breakage of parts and any other condition that may affect the power tools operation. If damaged, have the power tool repaired before use.** Many accidents are caused by poorly maintained power tools.
 - f. **Keep cutting tools sharp and clean.** Properly maintained cutting tools with sharp cutting edges are less likely to bind and are easier to control.
 - g. **Use the power tool, accessories and tool bits etc. in accordance with these instructions, taking into account the working conditions and the work to be performed.** Use of the power tool for operations different from those intended could result in a hazardous situation.
 5. **Service**
 - a. **Have your power tool serviced by a qualified repair person using only identical replacement parts.** This will ensure that the safety of the power tool is maintained.

Hammer safety warnings

- ◆ **Wear ear protectors.** Exposure to noise can cause hearing loss.
- ◆ **Use auxiliary handle(s), if supplied with the tool.** Loss of control can cause personal injury.
- ◆ **Hold power tool by insulated gripping surfaces when performing an operation where the cutting accessory may contact hidden wiring or its own cord.** Cutting accessory contacting a "live" wire may make exposed metal parts of the power tool "live" and could give the operator an electric shock.
- ◆ Be certain that the material being drilled does not conceal electric or gas service and that their locations have been verified with the utility companies.
- ◆ **Keep a firm grip on the tool at all times. Do not attempt to operate this tool without holding it with both hands.** Operating this tool with one hand will result in loss of control. Breaking through or encountering hard materials such as re-bar may be hazardous as well. Tighten the side handle securely before use.
- ◆ Ensure the chisel is secured in place before operating the tool.
- ◆ In cold-weather conditions or when the tool has not been used for a longer period of time, let the tool run with no load for several minutes before use.
- ◆ When working above ground level ensure the area below is clear.
- ◆ Do not touch the chisel or the parts close to the chisel immediately after operation, as they may be extremely hot and cause burns to the skin.
- ◆ Always direct the power cable to the rear, away from the chisel.
- ◆ **Do not operate this tool for long periods of time.** Vibration caused by hammer action may be harmful to your hands and arms. Use gloves to provide extra cushion and limit exposure by taking frequent rest periods.

Other risks

Additional residual risks may arise when using the tool which may not be included in the enclosed safety warnings. These risks can arise from misuse, prolonged use etc. In spite of the application of the relevant safety regulations and the implementation of safety devices, certain risks cannot be avoided. These are:

- ◆ Injuries caused by touching any rotating/moving parts.
- ◆ Injuries caused when changing any parts, blades or accessories.
- ◆ Injuries caused by prolonged use of a tool. When using

any tool for prolonged periods ensure you take regular breaks.

- ◆ Impairment of hearing.
- ◆ Health hazards caused by breathing dust developed when using your tool (example:- working with wood, especially oak, beech and MDF.)

LABELS ON TOOL

The following symbols are shown on the tool:



WARNING! To reduce the risk of injury, the user must read the instruction manual.

POSITION OF DATE BARCODE

The Date Code, which also includes the year of manufacture, is printed into the housing.

Example:

2014 XX JN
Year of manufacturing

ELECTRICAL SAFETY



This tool is double insulated; therefore no earth wire is required. Always check that the power supply corresponds to the voltage on the rating plate.

- ◆ If the supply cord is damaged, it must be replaced by the manufacturer or an authorised Stanley Service Centre in order to avoid a hazard.

Using an Extension Cable

If it is necessary to use an extension cable, please use an approved extension cable that fits the tool's power input specifications (please refer to the technical data). The minimum cross-sectional area of the conducting wire is 1.5 sq. mm. Cables should be untangled before reeling up.

FEATURES

This tool includes some or all of the following features.

- Side Handle
- Switch
- Barrel cover
- Tool sleeve
- Lube oil-injection inlet

ASSEMBLY AND ADJUSTMENTS



WARNING: To reduce the risk of injury, turn unit off and disconnect machine from power source before installing and removing accessories, before adjusting or changing set-ups or when making repairs. Be sure the trigger switch is in the OFF position. An accidental start-up can cause injury.

INSERTING AND REMOVING HEX 17MM ACCESSORIES (fig. 1)

This tool uses HEX 17mm accessories (refer to the inset in figure 1 for a cross-section of an HEX 17mm bit shank). We recommend to use professional accessories only.

1. Clean and grease the bit shank.
2. Insert the bit shank into the bit holder/tool sleeve (d).
3. Push the bit down and turn it slightly until it fits into the slots.
4. Pull on the bit to check if it is properly locked. The hammering function requires the bit to be able to move axially several centimetres when locked in the tool holder.
5. To remove a bit pull back the tool holder/locking sleeve (d) and pull out the bit.



WARNING: Always wear gloves when you change accessories. The exposed metal parts on the tool and accessory may become extremely hot during operation.

FITTING THE SIDE HANDLE (fig. 1)

The side handle (a) can be fitted to suit both RH- and LH-users.



WARNING: Do not use the tool without the side handle properly assembled.

1. Loosen the side handle.
2. **For RH-users:** Slide the side handle clamp over the collar behind the tool holder, handle at the left.
For LH-users: Slide the side handle clamp over the collar behind the tool holder, handle at the right.
3. Rotate the side handle to the desired position and tighten the handle.

OPERATION INSTRUCTIONS FOR USE

**WARNING:**

- Always observe the safety instructions and applicable regulations.
- Be aware of the location of pipework and wiring.
- Apply only a gentle pressure to the tool (approx. 5 kg). Excessive force does not speed up chiselling but decreases tool performance and may shorten tool life.
- Always hold the tool firmly with both hands and ensure a secure stance (fig. 3). Always operate the tool with the side handle properly mounted.

PROPER HAND POSITION (fig. 3)

WARNING: To reduce the risk of serious personal injury, **ALWAYS** use proper hand position as shown.



WARNING: To reduce the risk of serious personal injury, **ALWAYS** hold securely in anticipation of a sudden reaction.

Proper hand position requires one hand on the side handle (a), with the other hand on the main handle.

SWITCHING ON AND OFF (fig. 1)

1. To run the tool, press the switch(b) and turn it in 'ON' position.
2. To stop the tool, turn it in 'OFF' position and release the switch(b).

CHIPPING AND CHISELLING (fig. 1)

1. Insert the appropriate chisel in right position.
2. Adjust the side handle (a) as required.
3. Switch on the tool and start working.
4. Always switch off the tool when work is finished and before unplugging.

**WARNING:**

- ◆ Do not use this tool to mix or pump easily combustible or explosive fluids (benzine, alcohol, etc.).
- ◆ Do not mix or stir inflammable liquids labelled accordingly.

MAINTENANCE

Your Stanley corded/cordless appliance/tool has been designed to operate over a long period of time with a minimum of maintenance. To ensure satisfactory operations, the tool must be maintained and cleaned regularly

WARNING! Before performing any maintenance on corded/cordless power tools:

- ◆ Switch off and unplug the appliance/tool.
- ◆ Or switch off and remove the battery from the appliance/tool if the appliance/tool has a separate battery pack.
- ◆ Or run the battery down completely if it is integral and then switch off.
- ◆ Unplug the charger before cleaning it. Your charger does not require any maintenance apart from regular cleaning.
- ◆ Regularly clean the ventilation slots in your appliance/tool/ charger using a soft brush or dry cloth.
- ◆ Regularly clean the motor housing using a damp cloth. Do not use any abrasive or solvent-based cleaner.
- ◆ Regularly open the chuck and tap it to remove any dust from the interior (when fitted).

REPLACE THE CARBON BRUSH (fig. 4)**LUBRICATION**

- ◆ Regularly replace and check the carbon brushes. Replace it in time when it is worn to the abrasive boundary line. Keep the carbon brush clean and make it freely slide in the brushing range. Two brushes shall be replaced at the same time.
- ◆ Use the cross screwdriver to counterclockwise unscrew the screws (4), open the bottom cover(1) with a flat screwdriver to counterclockwise open the brush cover(2), you can remove the brush(3) as shown in the figure 4, and put the new brush, and then clockwise fasten the brush cover(2), finally put the bottom cover(1), and then use the cross screwdriver to tighten it properly.
- ◆ Open the cap of the lube oil-injection inlet(e), check the lube oil in the gearbox, if the lube oil is dirty or insufficient, replace or add the adequate amount of lube oil provided by the company.

**CLEANING**

WARNING! Blow dirt and dust out of the main housing with dry air as often as dirt is seen collecting in and around the air vents. Wear approved eye protection and approved dust mask when performing this procedure.



WARNING! Never use solvents or other harsh chemicals for cleaning the non-metallic parts of the

tool. These chemicals may weaken the material of the parts. Use only mild soap and damp cloth to clean the tool. Never let any liquid get inside the tool; never immerse any part of the tool into liquid.

PROTECTING THE ENVIRONMENT

Separate collection. This product must not be disposed of with normal household waste.

Should you find one day that your Stanley product needs replacement, or if it is of no further use to you, do not dispose of it with household waste. Make this product available for separate collection.



Separate collection of used products and packaging allows materials to be recycled and used again. Re-use of recycled materials helps prevent environmental pollution and reduces the demand for raw materials.

Local regulations may provide for separate collection of electrical products from the household, at municipal waste sites or by the retailer when you purchase a new product

REMARKS

- ◆ Stanley's policy is one of continuous improvement to our products and as such, we reserve the right to modify product specifications without prior notice.
- ◆ Standard equipment and accessories may vary by country.
- ◆ Product specifications may differ by country.
- ◆ Complete product range may not be available in all countries. Contact your local Stanley dealers for range availability.

破碎機電動鏈 STHM5

技術資料

規格		STHM5			
		-B1	-XD	-TW	-KR
電壓	V	220-240	220-240	110	220
頻率	Hz	50/60	50/60	60	60
功率			W		1010
衝擊率			bpm		2900
衝擊能量			J		8.5
鑿子位置					6
夾頭類型			mm	六角	17
重量			kg		6.1

設計用途

您的 Stanley 破碎機電動鏈設計用於針對混凝土、磚石以及建工產品的輕型或中型鑿打及拆除應用。

一般安全規則

警告！請閱讀安全警告及所有指示。不遵循下列的所有指示可能會導致觸電、火災及/或嚴重傷害。下列所有警告中的名詞「電動工具」是指電源驅動（插電）電動工具，或者電池驅動（充電）電動工具。

請妥善保存這些安全指示。

1. 工作場地安全

- 保持工作場地清潔明亮。混亂或黑暗的場地會引發事故。
- 請勿在易爆環境，如有易燃液體、氣體或粉塵的環境中操作電動工具。電動工具產生的火花會點燃粉塵或氣體。
- 請等待兒童和旁觀者離開之後才操縱電動工具。分心會導致您疏於控制。

2. 電氣安全

- 電動工具插頭必須與插座相符。切勿以任何方式改裝插頭。需接地的電動工具不能使用任何配接器插頭。未經改裝的插頭和相符的插座可以減少觸電危險。
- 避免人體接觸接地表面，如管道、散熱片、爐灶和冰箱。若您的身體接地，可增加觸電危險。
- 請勿將電動工具暴露在雨中或潮濕環境中。水進入電動工具會增加觸電危險。
- 請勿濫用電線。請勿使用電線來搬運、拉動電動工具或拔出插頭。讓電線遠離熱、油、銳邊和活動部件。受損或纏繞的電線可增加觸電危險。
- 若要在戶外使用電動工具，請使用適合戶外使用的延長電纜。使用適合戶外使用的電線可減少觸電危險。
- 若必須在潮濕場合使用電動工具，請使用漏電保護器 (RCD)。使用 RCD 可降低觸電危險。

3. 人身安全

- 保持警覺；在操作電動工具時，請留意所執行的操作並按照一般的常識執行。請勿在疲倦，或受到藥物、酒精或治療的影響下操作電動工具。操作電動工具期間注意力分散會導致嚴重人身傷害。
- 使用個人防護裝置。始終佩戴護目裝備。防護裝置，例如在適當條件下可使用的防塵面具、防滑安全鞋、安全帽或聽力保護等裝置可減少人身傷害。
- 避免意外啟動。連接電源及/或電池組、撿取或搬運電動工具之前，請確定開關處於關閉位置。搬運電動工具時若將手指放在開關上，或是在接通開關電源時插入插頭都會引發危險。
- 接通電動工具之前，請卸下所有的調整鑰匙或扳手。遺留在電動工具旋轉部件上的扳手或鑰匙會導致人身傷害。

- e. 請勿過度伸張雙手。時刻注意腳下和身體的平衡。如此即可在發生意外的情況下更好地控制電動工具。
 - f. 適當穿著。請勿穿寬鬆衣服或佩戴飾品。寬鬆衣服、佩飾和長髮可能會捲入活動部件。寬鬆衣服、佩飾和長髮可能會捲入活動部件。
 - g. 若配備用於連接排屑裝置、集塵設備的裝置，請確定正確連接和使用這些裝置。使用集塵設備可減少與粉塵有關的危險。
4. 電動工具的使用與注意事項
- a. 請勿超負荷使用電動工具。根據您的用途使用適當的電動工具。使用適當的電動工具在其設計可負荷的應用內，會讓您更有效、更安全地執行工作。
 - b. 若開關不能開啟或關閉電源，切勿使用該電動工具。不能用開關來控制的電動工具將存在危險，必須進行維修。
 - c. 在執行任何調整、更換配件或儲存電動工具之前，必須從電源上拔掉插頭及/或卸下電池組。這類防護性措施可降低電動工具意外啟動的風險。
 - d. 請將閒置的電動工具儲存在兒童無法接觸的地方，並且勿讓不熟悉電動工具或對這些說明不瞭解的人員操作電動工具。電動工具在未經培訓的使用者手中會發生危險。
 - e. 維護電動工具。檢查活動部件是否對準或卡住、是否存在任何破損情況，或任何能影響電動工具運行的其他情況。若有損毀，必須在使用之前修理電動工具。許多事故都是由於電動工具欠缺維護所導致。
 - f. 保持刀具鋒利和清潔。妥善維護、切削鋒利的切割工具不會輕易卡住並可更輕鬆控制。
 - g. 遵循使用指示、特定類型電動工具的專用方式，以及工作條件和所要執行的工作來使用電動工具、配件和工具鑽頭等。不按照設計目使用電動工具將會導致危險。

5. 檢修

- a. 本電動工具必須由合格的維修人員並只採用相同的原廠零件來執行檢修。這將確保電動工具的安全性。

破碎機電動鏈之安全警告

- ◆ 請佩戴聽力保護器。噪音會使聽力受損。
- ◆ 請使用工具隨附的輔助手柄。工具失控會導致人身傷害。
- ◆ 若在執行操作時切削配件可能會接觸隱藏的電線或它本身的電線，則從絕緣手柄表面握住電動工具。切削配件接觸到「帶電」導線，電動工具金屬部件表面就會「帶電」，從而導致操作人員觸電。
- ◆ 確保正在鎖開的材料下沒有隱藏任何電線或氣體管道，並與公用事業公司確認它們的位置。
- ◆ 時刻緊握工具。必須使用雙手操作本工具。使用單手操作本工具會導致操作失控。刺破或遇到堅硬材料如鋼筋亦會導致危險。使用之前必須扭緊側手柄。
- ◆ 使用之前，確定鑿子鎖定到位。
- ◆ 在寒冷環境或長時間未使用本工具時，使用之前讓工具在空載狀態下運行數分鐘。
- ◆ 在地面上工作時確保下方暢通無阻。
- ◆ 由於鑿子可能會非常高溫並灼傷皮膚，請勿在操作後立即接觸鑿子或接近鑿子的部件。
- ◆ 請務必讓電線遠離鑿子和保持在工具後方。
- ◆ 請勿長時間操作此工具。工具產生的震動可能令您的雙手和手臂受傷。請佩戴手套加強保護，而且經常稍作休息，減少承受的震力。

其他風險

使用工具時可能會出現未包括在隨附的安全警告中的其他剩餘風險。濫用、長時間使用等也會導致這些風險。即使應用有關的安全規定並採用安全設備，仍然還有一些無法避免的風險。危險包括：

- ◆ 接觸旋轉/活動部件引起的傷害。
- ◆ 更換任何部件、刀片或配件時引起的傷害。
- ◆ 長時間使用工具引起的傷害。長時間使用任何工具時，請確保定期休息。
- ◆ 聽力受損。
- ◆ 吸入使用工具時產生的粉塵引起的健康危害（譬如：在木材上使用時，尤其是櫟木、山毛櫸和中密度纖維板(MDF)）。

工具上的標籤

工具上可能會附帶下列符號：



警告！為了降低受傷的風險，使用者必須仔細閱讀使用手冊。

日期條碼的位置

日期代碼亦包括製造年份，已印刷在工具外殼上。

範例：

2014 XX JN
製造年份

電氣安全



本工具採用雙重絕緣，因此無需接地線。請務必檢查電源電壓是否與銘牌一致。

- ◆ 若電源線損毀，必須送往製造廠商或授權的 Stanley 維修中心更換以避免發生危險。

使用延長纜線

若需要使用延長電纜，請使用適合本工具電源輸入的認證延長電纜（參閱技術資料）。導線的最小橫截面積為 1.5 平方毫米。卷起纜線時請確保線纜無纏繞。

功能部件

本工具包括以下部分或全部功能部件。

- a. 側手柄
- b. 開關

- c. 筒蓋
- d. 工具套管
- e. 潤滑油注油口

組裝和調整



警告：為降低傷害風險，請在安裝和移除配件前、調整或變更設定前或進行修理時關閉工具並斷開電源。請確保觸發開關處於關閉(OFF)位置。意外啟動工具可能會造成傷害。

放進及取出 17MM 六角形配件（圖 1）

本工具使用 17mm 六角形配件（請參閱圖 1 中的插頁以查看 17mm 六角形鑽頭杆的斷面）。建議僅使用專業配件。

1. 清潔和潤滑鑽頭桿。
2. 將鑽頭桿插入鑽頭夾持器/工具套管 (d)。
3. 將鑽頭向下推，輕輕旋轉直到安裝到槽內。
4. 拉動鑽頭以檢查它是否正確鎖定。要使用錘擊功能，鑽頭需要在工具夾持器中鎖定時軸向地移動數公分。
5. 若要取出鑽頭，請向後拉工具夾持器/鎖定套管 (d)，然後將鑽頭拉出。



警告：更換配件時請務必佩帶手套。操作時本工具和配件表面的金屬部件可能會非常高溫。

安裝側手柄（圖 1）

側手柄 (a) 可以安裝為適合右手和左手操作者。



警告：側手柄未正確組裝時，切勿使用工具。

1. 鬆開側手柄
2. **對於右手操作者：**滑動側手柄越過工具夾持器後面的調整環上方，手柄在左側。

- 對於左手操作者：**滑動側手柄越過工具夾持器後面的調整環上方，手柄在右側。
3. 將側手柄旋轉至所需位置，擰緊手柄。

操作使用說明

警告：



- 務必遵守安全指示和適用的規則。
- 小心管道和佈線的所在位置。
- 僅對工具施加適當的力度（大約 5 kg）。過大力度並不會加快鑿的速度，並會降低工具的效能和縮短工具的壽命。
- 請務必使用雙手穩固地握住工具並站穩（圖 3）。請務必在已正確地安裝側手柄的情況下操作本工具。

正確的雙手放置位置（圖 3）



警告：為了減低造成嚴重人身傷害的風險，**務必**如圖示那樣正確放置雙手。



警告：為了減低造成嚴重人身傷害的風險，預期有突然反應時**務必**握緊。

正確的雙手放置位置是一隻手放在側手柄 (a) 上，另一隻手握住主手柄。

開啟和關閉電源（圖 1）

1. 若要運行工具，請按開關 (b) 並將其旋至「開啟」位置。
2. 若要停止工具，請將其旋至「關閉」位置並鬆開開關 (b)。

鑿切和鑿打（圖 1）

1. 將適當的鑿子插入正確的位置。
2. 按需要調整側手柄 (a)。

3. 開啟工具以開始操作。
4. 工作完成後以及拔出插頭前請務必關閉工具。



警告：

請勿使用本工具來混合或泵打易燃或易爆液體（揮發油、酒精等等）。

請勿使用本工具來混合或攪拌標有易燃標記的液體。

維護

Stanley 插電式/充電式裝置/工具採用卓越的設計，能夠長時間使用，並且只需最少的維護。為了獲得滿意的操作效果，必須定期對工具進行維護和清潔。

警告！在插電/充電電動工具上執行任何維護工作之前：

- ◆ 請關閉電源並拔下裝置/工具的插頭。
- ◆ 或者，若裝置/工具使用獨立電池組，請關閉電源並將電池從裝置/工具卸下。
- ◆ 又或者，若電池屬於內建電池，請使電池完全放電，然後再關閉電源。
- ◆ 清潔之前請拔下充電器的插頭。您的充電器除了定期清潔之外，並不需要執行任何維護操作。
- ◆ 定期使用軟刷或乾布清潔器具/工具/充電器內的通風槽。
- ◆ 定期使用濕布清潔電動機外殼。請勿使用任何研磨性或基於溶劑的清潔劑。
- ◆ 請定期打開夾頭並輕敲以清除內部的任何粉塵（安裝時）。

更換碳刷（圖 4）



潤滑

- ◆ 定期更換並檢查碳刷。當碳刷磨損至研磨邊緣時，應及時更換碳刷。保持碳刷清潔並確保其可在運行範圍內自由滑動。兩個碳刷應同時更換。
- ◆ 使用十字螺絲刀逆時針擰開螺絲(4)，然後用平頭螺絲刀逆時針打開底蓋 (1)，逆時針打開碳刷蓋 (2)。此時您可以拆下碳刷 (3)，如圖 4 所示。裝入新的碳刷後，順時針方向擰緊碳刷蓋 (2)，最後裝上底蓋 (1)，並使用十字螺絲刀擰緊。
- ◆ 打開潤滑油的注油口 (e) 頂蓋，檢查齒輪機中的潤滑油，如果潤滑油髒污或油量不足，請更換潤滑油或增添本公司提供的潤滑油量。



清潔



警告！一旦通風口及其周圍積聚可見的粉塵，請立即使用乾燥的壓縮空氣吹掉主機外殼內的粉塵和灰塵。執行此步驟時，請佩戴經認可的護目裝備和防塵面罩。



警告！切勿使用溶劑或其他刺激性化學品來清潔工具的非金屬部件。這些化學品可能會削弱零件的材料。請僅使用中性肥皂和濕布清洗工具。請勿讓任何液體進入工具；亦勿讓工具的任何部分浸入液體中。

保護環境



分類回收。本產品必須與一般家庭廢物分開處置。

若您發現您的 Stanley 產品需要進行更換，或您已經不再需要使用這些產品，請勿將其與家庭廢物一併處置。務必將本產品送往分類收集處。



分類收集用過的產品和包裝允許材料循環再生利用。重新使用回收的材料有助於防止環境污染，並降低對原材料的需求。

當地法規可能要求由市政廢物回收點，或由向您出售新產品的經銷商來提供將電子產品與家庭廢物

分類收集的服務。

附註

- ◆ Stanley 的政策是持續改善我們的產品，因此，我們保留隨時修改產品規格的權利，恕不另行通知。
- ◆ 標準設備及配件可能視國家/地區而有所不同。
- ◆ 產品規格可能會視國家/地區而有所不同。
- ◆ 並非在所有的國家/地區都將提供完整的產品系列。如需瞭解產品系列的可用性，請聯絡您當地的 Stanley 代理商。

進口商：永安實業股份有限公司

地址：新北市三重區新北大道二段137號

電話：02-29994633

파피 햄머 STHM5

기술 데이터

사양	STHM5				
		-B1	-XD	-TW	-KR
전압	V	220-240	220-240	110	220
주파수	Hz	50/60	50/60	60	60
전력			W		1010
분당타격수			bpm		2900
타격력			J		8.5
치즐 방향 선택					6
척 유형			mm		Hex 17
무게			kg		6.1

용도

스탠리 파피 햄머는 콘크리트, 벽돌 및 석조 작업 시 전문적인 부수기, 깎기 및 파피용(가벼운 또는 중간 정도)으로 설계되었습니다.

일반 안전 규정

경고! 안전 경고와 지시사항을 모두 읽으십시오.

아래 설명한 모든 지시 사항을 따르지 않으면 감전, 화재 및/또는 심각한 부상을 초래할 수 있습니다. 아래의 모든 경고에서 사용된 "전동 공구"라는 말은 주 공급 전원에 의해 전기가 공급되는(유선) 전동 공구 또는 충전식(무선) 전동 공구를 의미합니다.

본 지시 사항을 잘 보관해두십시오.

1. 작업장 안전

- 작업 영역을 청결하고 밝게 유지하십시오.**
혼잡하거나 어두운 작업장에서는 사고가 발생하기 쉽습니다.
- 가연성 액체, 가스 또는 먼지 등 폭발 가능성이 있는 환경에서 전동 공구를 사용하지 마십시오.**
전동 공구에서 먼지나 가스를 발화시킬 수 있는 불꽃이 될 수 있습니다
- 전동 공구로 작업하는 동안에는 어린이와 주변 사람들이 작업 영역에 가까이 들어오지 못하도록 하십시오.** 주변이 산만해져 통제력을 잃을 수 있습니다.

2. 전기 안전

- 전동 공구의 플러그는 콘센트와 형식이 일치해야 합니다.** 플러그를 어떤 방식으로든 절대 개조하지 마십시오. 접지된(지면 접지) 전동 공구에 어떤 어댑터 플러그도 사용하지 마십시오. 개조되지 않은 플러그 및 형식이 일치하는 콘센트를 사용하면 감전 위험이 줄어듭니다.
- 파이프, 라디에이터, 렌즈 및 냉장고 등과 같이 접지된 표면에 몸이 닿지 않도록 하십시오.** 신체가 접지되어 있으면, 감전 위험이 높아집니다.
- 전동 공구를 비 또는 습한 환경에 노출하지 않도록 주의하십시오.** 전동 공구에 물이 들어가면 감전 위험이 높아집니다.
- 코드를 합부로 다루지 마십시오.** 코드를 사용하여 전동 공구를 운반하거나 잡아당기거나 플러그를 뽑지 마십시오. 열, 오일, 날카로운 모서리 또는 움직이는 부품에서 멀리 떨어진 장소에 코드를 보관하십시오. 코드가 손상되거나 얽혀 있으면 감전 위험이 높아집니다
- 전동 공구를 실외에서 사용할 때는 실외 사용에 적합한 연장 코드를 사용하십시오.** 실외 사용에 적합한 코드를 사용하면 감전 위험이 줄어듭니다.
- 어쩔 수 없이 습한 장소에서 전동 공구를 사용해야 하는 경우에는 누전 차단기(RCD)로 보호된 전원 공급 장치를 사용하십시오.** RCD를 사용하면 감전 위험이 줄어듭니다.

3. 신체 안전 사항

- 전동 공구로 작업할 때는 방심하지 말고 작업에 주의하면서 상식에 따르십시오.** 피곤한 상태이거나 약물, 술, 치료제를 복용한 상태에서는 전동 공구를 사용하지 마십시오. 전동 공구를 사용하다 잠깐만 한 눈을 팔아도 심각한 부상을 당할 수 있습니다.
- 신체 보호 장비를 착용하십시오.** 항상 보안경을 착용하십시오. 적합한 상황에서 방진 마스크, 미끄럼 방지 안전화, 안전모 또는 청력 보호 기구 등의 보호 장비를 사용하면 신체 부상 위험이 줄어듭니다.
- 갑작스러운 장비 가동을 방지하십시오.** 전원 및/또는 배터리 팩에 연결한 상태로 공구를 선택 또는 운반할 때는 사전에 스위치가 꺼짐 위치에 있는지 반드시 확인하십시오. 스위치가 켜짐 위치에 있는 상태에서 스위치에 손가락이 닿은 상태로 전동 공구를 운반하거나 전동 공구에 전원을 공급하면 사고가 발생합니다.

- d. **전동 공구를 켜기 전에 모든 조정 키 또는 렌치를 제거하십시오.** 전동 공구의 회전 부분에 렌치나 키가 부착되어 있으면 부상을 당할 수 있습니다.
- e. **무리하게 팔을 뻗지 마십시오. 항상 올바른 자세로 서서 균형을 유지하십시오.** 그러면 예기치 않은 상황에서의 전동 공구 제어 능력이 향상됩니다.
- f. **적절한 의복을 착용하십시오. 헐렁한 옷이나 장신구를 착용하지 마십시오.** 머리카락, 옷 및 장갑이 움직이는 부품에 닿지 않도록 유의하십시오. 헐렁한 옷, 장신구 또는 긴 머리가 움직이는 부품에 걸 수 있습니다.
- g. **먼지 배출 및 집진 시설 연결을 위한 장치가 제공된 경우, 이를 장치가 연결되어 적절히 사용되고 있는지 반드시 확인하십시오.** 집진 장치를 사용하면 먼지와 관련된 위험을 줄일 수 있습니다.
4. **전동 공구 사용 및 관리**
- a. **전동 공구에 무리한 힘을 가하지 마십시오. 해당 용도에 맞는 올바른 전동 공구를 사용하십시오.** 올바른 전동 공구를 사용하여 설계된 속도로 작업을 더욱 안전하고 정확하게 수행할 수 있습니다.
- b. **스위치 켜짐/꺼짐이 되지 않는 전동 공구는 사용하지 마십시오.** 스위치로 제어되지 않는 전동 공구는 위험하며 수리해야 합니다.
- c. **전동 공구를 조정하거나 액세서리를 변경하거나 보관하기 전에 전원 및/또는 배터리 팩에서 플러그를 빼십시오.** 이러한 예방적 안전 조치를 따라야 전동 공구가 갑자기 작동할 위험이 줄어듭니다.
- d. **사용하지 않는 전동 공구는 어린이의 손이 닿지 않는 곳에 보관하고, 전동 공구나 본 지시 사항에 익숙하지 않은 사람이 전동 공구를 절대 사용하지 못하게 하십시오.** 전동 공구는 훈련을 받지 않은 사용자가 다루면 위험합니다.
- e. **전동 공구 유지 보수. 움직이는 부품의 잘못된 정렬이나 바인딩, 부품 파손 및 기타 전동 공구의 작동에 영향을 미칠 수 있는 상태가 있는지 확인하십시오.** 손상된 부분이 있는 경우 사용하기 전에 전동 공구를 수리하십시오. 많은 사고는 전동 공구를 제대로 유지 보수하지 않아 발생합니다.
- f. **절삭 공구를 예리하고 깨끗한 상태로 유지하십시오.** 절단석 가장자리를 예리하게 잘 유지하면 절단 작업 시 바인딩이 적고 다루기가 용이합니다.
- g. **작업 환경과 수행할 작업을 고려하여, 본 지시 사항에 따라 전동 공구, 액세서리 및 블 비트**

등을 사용하십시오. 본 사용 설명서의 내용과 다른 용도로 전동 공구를 사용하면 위험한 상황이 발생할 수 있습니다.

5. 정비

- a. **자격을 갖춘 기술자가 동일 교체 부품을 사용하여 정비 작업을 수행해야 합니다.** 그래야 전동 공구의 안전이 보장됩니다.

햄머 안전 경고

- ◆ **귀 보호 장구를 착용하십시오.** 소음에 노출되면 청력이 손상될 수 있습니다.
- ◆ **보조 핸들(공구와 함께 제공된 경우)을 사용하십시오.** 제어력을 잃으면 신체 부상을 당할 수 있습니다.
- ◆ **절삭 액세서리가 숨겨진 배선 또는 자체 코드에 접촉할 수 있는 작업을 수행할 때는 절연된 손잡이 표면만 닿도록 하여 전동 공구를 잡으십시오.** "전류가 흐르는" 전선에 접촉된 절삭 액세서리는 전동 공구의 노출된 금속 부품을 "전류가 흐르는" 상태로 만들어 작업자를 감전시킬 수 있습니다.
- ◆ **드릴 작업을 하는 곳에 전기 또는 가스 배관이 숨겨져 있지 않은지, 그리고 그러한 위치가 있는지를 전기 및 가스 회사와 확인하십시오.**
- ◆ **항상 공구를 단단히 잡으십시오. 공구를 양 손으로 잡지 않고 이 공구를 작동하려고 시도하지 마십시오.** 한 손으로 이 공구를 사용하면 제어력을 잃을 수 있습니다. 강철봉과 같은 단단한 재질을 뚫는 것 또한 위험할 수 있습니다. 사용하기 전에 사이드 핸들을 단단히 조이십시오.
- ◆ **공구를 작동하기 전에 치출이 제자리에 장착되어 있는지 확인하십시오.**
- ◆ **추운 날씨 또는 공구를 장시간 사용하지 않았을 때는 사용하기 전에 몇 분간 부하 없이 공구를 가동하십시오.**
- ◆ **지상층 위에서 작업할 때는 아래에 작업에 문제가 되는 부분이 없도록 확인하십시오.**
- ◆ **매우 뜨거운 표면을 입을 수 있으므로 작동 후 곧바로 치출 또는 치출 근처에 있는 부품을 만지지 마십시오.**
- ◆ **항상 전원 케이블이 치출에서 멀리 떨어진 뒤쪽을 향하도록 두십시오.**
- ◆ **본 공구를 장시간 사용하지 마십시오.** 햄머 작동으로 인한 진동은 손과 팔에 유해할 수 있습니다. 장갑을 사용하여 추가 쿠션을 제공하고 종종 휴식을 취하여 진동에 의한 노출을 제한하십시오.

기타 위험

공구를 사용할 때 동봉된 안전 경고에 포함되어 있지 않은 잔류 위험이 발생할 수 있습니다. 이러한 위험은 오용, 장시간 사용 등으로 인해 발생할 수 있습니다. 관련된 안전 규정을 준수하고 안전 장치를 사용한다고 해도 특정한 위험은 피할 수 없습니다. 이러한 위험은 다음과 같습니다.

- ◆ 회전 부품이나 작동 부품을 만져 발생하는 부상.
- ◆ 부품, 톱날 또는 액세서리 변경으로 인한 부상.
- ◆ 장시간에 걸친 공구 사용으로 인한 부상. 어떤 공구이든 장시간에 걸쳐 사용할 때는 반드시 정기적인 휴식을 취하십시오.
- ◆ 청력 손상.
- ◆ 공구 사용 중에 발생하는 먼지를 호흡하여 유발되는 건강 위해성(예: 목재, 특히 오크, 너도밤나무 및 MDF 가공 작업).

공구 라벨

공구에는 다음과 같은 기호가 표시되어 있습니다.



경고! 부상 위험을 줄이려면 사용자는 사용 설명서를 주의 깊게 읽어야 합니다.

데이터 바코드 위치

날짜 코드에는 제조년도도 포함되어 케이스에 인쇄되어 있습니다.

예:

2014 XX JN
제조년도

전기 안전



이 공구는 이중으로 절연되어 있으므로 접지선이 필요 없습니다. 전원이 전동기 라벨에 기재된 전압과 일치하는지 항상 확인하십시오.

- ◆ 전원 코드가 손상된 경우 사고가 발생하지 않도록 제조업체 또는 공인 스탠리 서비스 센터에서 교체해야 합니다.

연장 케이블 이용

연장 케이블을 사용해야 하는 경우, 공구의 소비 전력 사양에 맞는 승인된 연장 케이블만 사용하십시오(기술 데이터를 참조하십시오). 도선의 최소 단면적은 1.5 sq. mm입니다. 케이블은 감아 올리기 전에 풀어야 합니다.

기능

본 공구에는 다음 기능들 중 일부 또는 모두가 포함되어 있습니다.

- a. 사이드 핸들
- b. 스위치
- c. 배럴 덮개
- d. 공구 슬리브
- e. 윤활유 분사 주입구

조립 및 조정



경고: 부상의 위험을 줄이려면, 액세서리를 설치 및 제거하기 전, 구성 상태를 조정하거나 변경하기 전에, 장치를 끄고 전원에서부터 연결을 차단하십시오. 트리거 스위치가 꺼짐 위치에 있는지 반드시 확인하십시오. 공구가 갑자기 작동하여 부상을 당할 수 있습니다.

HEX 17MM 액세서리 삽입 및 제거 (그림 1)

이 공구는 HEX 17mm 액세서리를 사용합니다 (HEX 17mm 비트 상크의 단면도는 그림 1의 삽입도를 참조하십시오). 전문 액세서리만 사용하는 것이 좋습니다.

1. 비트 상크를 닦고 그리스를 바릅니다.
2. 비트 상크를 비트 홀더/공구 슬리브(d)에 끼웁니다.
3. 비트 아래를 밀어 슬롯에 맞을 때까지 약간 돌립니다.
4. 비트를 잡아 당겨 제대로 잠겼는지 확인하십시오. 햄머 기능을 사용하려면 공구 홀더에 잠겨 있을 때 비트를 축 방향으로 몇 센티미터 이동할 수 있어야 합니다.
5. 비트를 제거하려면 공구 홀더/록킹 슬리브(d)를 약간 뒤로 당겨 뺍니다.



경고: 액세서리를 교환할 때는 항상 장갑을 착용하십시오. 작동 중에는 공구와 액세서리의 노출된 금속 부분이 매우 뜨거울 수 있습니다.

사이드 핸들 장착(그림 1)

사이드 핸들(a)은 오른손 및 왼손 사용자에게 맞게 장착할 수 있습니다.



경고: 사이드 핸들을 제대로 조립하지 않은 상태에서 공구를 사용하지 마십시오.

1. 사이드 핸들을 폽니다.
2. **오른손 사용자인 경우:** 사이드 핸들 클램프를 공구 홀더 뒤의 칼라 위로 밀고 왼쪽에서 조종합니다.

원손 사용자인 경우: 사이드 핸들 클램프를 공구 홀더 뒤의 칼라 위로 밀고 오른쪽에서 조종합니다.

3. 사이드 핸들을 원하는 위치로 돌리고 핸들을 조입니다.

사용 지침



경고:

- 안전 지시 사항과 해당 규정을 항상 준수하십시오.
- 파이프 구조 및 배선 위치를 알아 두십시오.
- 공구에 적당한 압력만 가하십시오(약 5kg). 과도한 힘을 가하면 치질링 속도가 올라가지 않고 공구 성능이 감소하고 공구 수명이 단축될 수 있습니다.
- 항상 공구를 양손으로 단단히 잡고 안전하게 세워 두십시오(그림 3). 항상 사이드 핸들을 올바르게 장착한 상태에서 공구를 작동하십시오.

올바른 손의 위치(그림 3)



경고: 심각한 신체 부상의 위험을 줄이려면 **항상** 그림과 같이 올바르게 손을 위치하십시오.



경고: 심각한 신체 부상의 위험을 줄이려면, **항상** 급작스러운 반응을 예상하고 확실하게 잡으십시오.

손 위치는 한 손을 주 핸들 위에 놓고 다른 손을 사이드 핸들(a) 위에 놓는 것이 바람직합니다.

전원 켜기 및 끄기(그림 1)

1. 공구를 작동하려면, 스위치(b)를 누르고 '켜짐' 위치로 놓습니다.
2. 공구를 멈추려면, '꺼짐' 위치로 놓고 스위치(b)를 놓습니다.

치핑 및 치질링(그림 1)

1. 알맞은 위치에 해당하는 치줄을 끼웁니다.
2. 필요에 따라 보조 핸들(a)을 조정합니다.
3. 공구의 전원 스위치를 켜고 작업을 시작합니다.
4. 작업이 끝나면 플러그를 빼기 전에 항상 공구 스위치를 꺼짐 위치로 놓습니다.



경고:

- ◆ 쉽게 타거나 폭발성이 있는 액체(벤젠, 알코올 등)를 섞거나 주입하는 데 이 공구를 사용하지 마십시오.
- ◆ 따라서 라벨에 표시된 인화성 액체를 혼합하거나 섞지 마십시오.

유지 보수

스탠리 유선/무선 기기/공구는 최소한의 유지 보수로 장기간에 걸쳐 작업이 가능하도록 설계되어 있습니다. 만족스러운 작동을 보장하려면 공구를 정기적으로 유지하고 청소해야 합니다.

경고! 유선/무선 전동 공구에 유지보수를 수행하기 전에:

- ◆ 제품/공구의 전원 플러그를 뽑으십시오.
- ◆ 또는 제품/공구에 별도의 배터리 팩이 있을 경우 전원을 끄고 제품/공구에서 배터리를 분리합니다.
- ◆ 또는 내장되어 있는 경우 배터리를 완전히 멈춘 다음 전원을 끕니다.
- ◆ 충전기를 청소하기 전에 충전기의 플러그를 뽑으십시오. 충전기는 전기적인 청소 이외에 유지 보수가 필요하지 않습니다.
- ◆ 부드러운 브러시와 마른 헝겊으로 기기/공구/충전기의 환기 슬롯을 주기적으로 청소하십시오.
- ◆ 젖은 헝겊으로 모터 하우징을 주기적으로 청소하십시오. 연마재 및 유성 클리너를 사용하지 마십시오.
- ◆ 척을 주기적으로 열고 가볍게 두드려 내부의 먼지를 털어내십시오(장착되었을 때).

카본 브러시 교체(그림 4)



윤활방법

- ◆ 카본 브러시를 정기적으로 교체 및 체크하십시오. 연마재 경계선까지 마모되면 늦지 않게 교체하십시오. 카본 브러시를 깨끗하게 유지하고 브러시 범위 내에서 자유롭게 미끄러지게 하십시오. 두 개의 브러시를 동시에 교체해야 합니다.
- ◆ 십자 드라이버를 사용하여 나사(4)를 시계 반대 방향으로 돌려서 풀고, 일자 드라이버로 하단 덮개(1)를 열어서 브러시 덮개(2)를 시계 반대 방향으로 열면, 그림 4와 같이 브러시(3)를 제거할 수 있고, 새 브러시를 넣은 다음 브러시 덮개(2)를 시계 방향으로 조입니다. 마지막으로, 하단 덮개

(1)를 다시 제자리에 놓은 다음, 십자 드라이버를 사용해서 적절히 조입니다.

- ◆ 윤활유 분사 주입구(e)를 열고, 기어 안의 윤활유를 확인하고, 윤활유가 더럽거나 충분하지 않은 경우, 회사에서 제공된 적합한 윤활유 양을 추가하거나 교체하십시오.



청소



경고! 통풍구 속이나 주변에 먼지가 쌓여있는 것이 보이면 가능한 한 자주 건조한 공기를 이용하여 몸체에서 먼지를 불어내십시오. 이 절차를 수행할 때에는 승인된 눈 보호 장구 및 승인된 방진 마스크를 착용하십시오.



경고! 공구의 금속 이외 부품을 청소할 때는 용제 등의 강력한 화학약품을 절대 사용하지 마십시오. 이러한 화학제품이 부품의 재질을 약화시킬 수 있습니다. 공구를 청소할 때는 중성 세척제와 젖은 헝겊만 사용하십시오. 공구 내부에 액체를 넣거나 공구 부품을 액체에 담그는 행동은 절대 금물입니다.

환경 보호



분리 수거. 본 제품을 일반 가정용 쓰레기로 처리하면 안됩니다.

스탠리 제품을 교체해야 하거나 더 이상 쓸모가 없어졌다고 판단될 때는 본 제품을 가정용 쓰레기와 함께 처리하지 마십시오. 이 제품은 분리 수거하십시오.



사용하던 제품과 포장을 분리 수거하면 자원을 재활용 및 재사용할 수 있습니다. 재활용 자원을 이용하면 환경 오염이 방지되고 고철 자원에 대한 수요를 줄일 수 있습니다.

지역에 따라 가정용 가전제품을 분리 수거하는 규정이 마련되어 있거나 새로운 제품을 구입할 때 판매점에서 폐기 방법을 알려줄 수 있습니다.

비고

- ◆ 스탠리의 정책은 제품을 지속적으로 개선시키는 것이기 때문에 사전 통지 없이 제품 사양이 변경될 수 있습니다.
- ◆ 기본 장비 및 액세서리 구성은 국가에 따라 다를 수 있습니다.
- ◆ 제품 사양은 나라에 따라 다를 수 있습니다.
- ◆ 국가에 따라 판매하지 않는 제품도 있을 수 있습니다. 제품 판매 여부는 해당 지역에 있는 스탠리 판매점으로 문의하십시오.

Palu Penghancur STHM5

Data teknis

SPESIFIKASI	STHM5			
	-B1	-XD	-TW	-KR
Voltase V	220-240	220-240	110	220
Frekuensi Hz	50/60	50/60	60	60
Daya	W		1010	
Taraf tumbukan	bpm		2900	
Energi tumbukan	J		8,5	
Posisi pahat				6
Kapasitas gagang	mm		Segi enam 17	
Berat	kg		6,1	

Tujuan penggunaan

Palu Penghancur Stanley Anda dirancang untuk memotong, memahat, dan menghancurkan beton, tembok, dan bebatuan ringan dan sedang secara profesional.

Aturan keselamatan umum

PERINGATAN! Baca seluruh peringatan keselamatan dan seluruh petunjuk. Kegagalan mengikuti seluruh instruksi yang tercantum di bawah ini dapat mengakibatkan sengatan listrik, kebakaran, dan/atau cedera berat. Istilah "alat listrik" dalam seluruh peringatan yang tercantum di bawah ini merujuk pada alat listrik bertenaga listrik (berkabel) atau alat listrik bertenaga baterai (nirkabel) Anda.

SIMPAN PETUNJUK-PETUNJUK INI.

1) Keselamatan area kerja

- Jaga agar area kerja tetap bersih dan terang.** Area yang berantakan atau gelap berpotensi mengakibatkan kecelakaan.
- Jangan mengoperasikan alat listrik di lingkungan yang mudah menimbulkan bahaya ledakan, seperti di tempat yang terdapat cairan, gas, atau debu yang mudah terbakar.** Alat listrik menimbulkan percikan api yang dapat menyulut debu atau asap.
- Jauhkan anak-anak dan orang yang berada di sekitar, sewaktu mengoperasikan alat listrik.** Gangguan dapat menyebabkan Anda kehilangan kendali.

2. Keselamatan kelistrikan

- Steker alat listrik harus sesuai dengan soketnya.** Jangan pernah memodifikasi steker dengan cara apa pun. Jangan gunakan steker adaptor apa pun dengan alat listrik yang dibumikan (grounded). Steker yang tidak dimodifikasi dan stopkontak yang sesuai akan mengurangi risiko sengatan listrik.
- Jagalah agar badan Anda tidak bersentuhan dengan permukaan yang dibumikan, seperti pipa, radiator, kompor, dan kulkas.** Risiko sengatan listrik dapat meningkat jika tubuh Anda bersentuhan dengan permukaan yang dibumikan.
- Jangan sampai alat listrik ini terkena hujan atau terpapar pada kondisi yang basah.** Air yang masuk ke alat listrik akan meningkatkan risiko sengatan listrik.
- Jangan menyalahgunakan kabel. Jangan sekali-kali menggunakan kabel untuk membawa, menarik, atau mencabut alat listrik. Jauhkan kabel dari panas, minyak, tepi tajam, atau komponen yang bergerak.** Kabel yang rusak atau terbelit meningkatkan risiko sengatan listrik.
- Bila mengoperasikan alat listrik di luar ruangan, gunakan kabel ekstensi yang sesuai untuk penggunaan di luar ruangan.** Menggunakan kabel yang sesuai untuk penggunaan di luar ruangan akan mengurangi risiko sengatan listrik.
- Jika penggunaan alat listrik di lokasi yang lembap tidak dapat dihindari, gunakan suplai yang terlindung oleh perangkat arus sisa (RCD).** Penggunaan RCD akan mengurangi risiko sengatan listrik.

3. Keselamatan diri

- Tetap waspada, perhatikan apa yang Anda kerjakan dan gunakan akal sehat saat mengoperasikan alat listrik.** Jangan mengoperasikan alat listrik bila Anda sedang lelah, atau berada di bawah pengaruh obat, alkohol, atau pengobatan. Kelengahan sesaat saja ketika mengoperasikan alat listrik dapat menyebabkan cedera diri yang parah.
- Gunakan peralatan pelindung diri. Selalu kenakan alat pelindung mata.** Peralatan pelindung, seperti masker debu, sepatu keselamatan antiselip, helm proyek, atau pelindung telinga yang digunakan untuk kondisi yang sesuai akan mengurangi risiko cedera diri.
- Hindari menyalakan alat tanpa disengaja.** Pastikan bahwa sakelar sudah dalam posisi mati sebelum menghubungkannya ke sumber listrik dan/atau baterai, mengambil, atau membawa alat. Membawa alat listrik dengan jari Anda yang masih menempel pada

sakelar atau menghidupkan alat listrik yang sakelarnya masih menyala akan berpotensi mengakibatkan kecelakaan.

- d. **Lepaskan semua kunci setelan atau kunci pas sebelum menghidupkan alat listrik.** Kunci pas atau kunci yang dibiarkan terpasang pada komponen alat listrik yang berputar dapat menyebabkan cedera diri.
 - e. **Jangan menjangkau melampaui batas. Selalu jaga pijakan dan keseimbangan yang baik.** Hal ini memungkinkan Anda untuk mengendalikan alat listrik dengan lebih baik dalam situasi yang tidak terduga.
 - f. **Kenakan pakaian yang sesuai. Jangan mengenakan pakaian longgar atau perhiasan. Jauhkan rambut, pakaian dan sarung tangan dari komponen yang bergerak.** Pakaian yang longgar, perhiasan atau rambut panjang dapat tersangkut pada komponen yang bergerak.
 - g. **Jika disediakan perangkat untuk sambungan fasilitas pengeluaran dan pengumpulan debu, pastikan alat ini dihubungkan dan digunakan dengan sesuai.** Penggunaan alat pengumpul debu dapat mengurangi bahaya yang ditimbulkan oleh debu.
4. **Penggunaan dan pemeliharaan alat listrik**
 - a. **Jangan menggunakan alat listrik dengan paksa. Gunakan alat listrik yang sesuai untuk aplikasi Anda.** Alat listrik yang tepat akan bekerja lebih baik dan aman pada tingkat kelajuan yang telah dirancang untuk alat itu.
 - b. **Jangan gunakan alat listrik ini jika sakelar tidak dapat menghidupkan dan mematikan alat.** Alat listrik apa pun yang tidak dapat dikendalikan dengan sakelar adalah berbahaya dan harus diperbaiki.
 - c. **Lepaskan stopkontak dari sumber listrik dan/atau baterai dari alat listrik sebelum melakukan penyetulan apa pun, mengganti aksesoris, atau menyimpan alat listrik.** Tindakan pencegahan demi keselamatan tersebut mengurangi risiko menjalankan alat listrik secara tak sengaja.
 - d. **Simpan alat listrik yang tidak digunakan jauh dari jangkauan anak-anak, dan jangan membolehkan orang yang tidak memahami alat listrik atau petunjuk ini untuk mengoperasikannya.** Alat listrik bisa berbahaya bila digunakan oleh pengguna yang tidak terlatih.
 - e. **Rawat alat listrik. Lakukan pemeriksaan untuk mengetahui apakah ada komponen bergerak yang tidak sejajar atau bengkok, komponen yang patah, dan kondisi lainnya yang dapat memengaruhi pengoperasian alat listrik. Jika rusak, perbaiki alat listrik sebelum digunakan** Banyak terjadi kecelakaan akibat alat listrik yang tidak terawat baik.
 - f. **Jaga ketajaman dan kebersihan alat pemotong.** Alat pemotong yang terawat dengan baik dengan mata

potong yang tajam akan kecil kemungkinannya untuk macet serta lebih mudah untuk dikendalikan.

- g. **Gunakan alat listrik, aksesoris, dan mata bor, dsb., sesuai instruksi-instruksi ini, dengan memperhitungkan persyaratan kerja dan jenis pekerjaan yang harus dilakukan.** Menggunakan alat listrik untuk pengoperasian yang berbeda dengan yang dimaksudkan akan mengakibatkan situasi yang membahayakan.
5. **Servis**
 - a. **Alat listrik sebaiknya diservis oleh teknisi yang berkualifikasi dan hanya menggunakan komponen pengganti yang persis sama.** Ini akan menjamin keselamatan alat terpelihara.

Peringatan keselamatan palu

- ◆ **Gunakan pelindung telinga.** Paparan terhadap kebisingan dapat menyebabkan kehilangan pendengaran.
- ◆ **Gunakan pegangan tambahan, bila disertakan dengan alat ini.** Hilangnya kendali dapat menimbulkan cedera diri.
- ◆ **Pegang alat listrik pada permukaan pegangan berpenyekat saat melakukan pengoperasian di mana aksesoris pemotong dapat bersentuhan dengan kabel tersembunyi atau kabelnya sendiri.** Aksesoris pemotong yang bersentuhan dengan kabel bertegangan listrik dapat mengalirkan arus listrik pada komponen logam dari alat listrik dan menyebabkan sengatan listrik pada pengguna.
- ◆ **Pastikan bahwa material yang sedang dibor tidak memiliki saluran listrik atau gas tersembunyi dan bahwa lokasinya telah diperiksa bersama perusahaan penyedia listrik atau gas.**
- ◆ **Selalu pegang alat dengan kencang. Jangan coba mengoperasikan alat ini tanpa memegangnya dengan kedua tangan.** Pengoperasian alat ini dengan satu tangan akan mengakibatkan hilangnya kendali. Penembusan atau penempaan material keras semacam tulang beton juga dapat berbahaya. Kencangkan betul pegangan samping sebelum menggunakan alat.
- ◆ **Pastikan pahat dipasang dengan kencang sebelum mengoperasikan alat ini.**
- ◆ **Dalam kondisi cuaca dingin atau setelah alat tidak digunakan untuk jangka waktu yang lama, biarkan alat beroperasi tanpa beban selama beberapa menit sebelum digunakan.**
- ◆ **Bila bekerja di atas permukaan tanah, pastikan area di bawahnya kosong.**
- ◆ **Jangan langsung menyentuh pahat atau komponen di dekat pahat setelah pengoperasian, karena mungkin**

sangat panas dan dapat menyebabkan luka bakar pada kulit.

- ◆ Selalu arahkan kabel daya ke belakang, jauh dari pahat.
- ◆ **Jangan operasikan alat ini untuk jangka waktu yang lama.** Getaran akibat kerja palu dapat mencederai tangan dan lengan Anda. Gunakan sarung tangan sebagai bantalan tambahan dan batasi paparan dengan cara sering melakukan pengistirahatan.

Risiko lainnya

Risiko-risiko lain dapat timbul saat menggunakan alat, yang mungkin tidak tercantum dalam peringatan keselamatan yang disertakan. Risiko-risiko ini dapat diakibatkan oleh penyalahgunaan, penggunaan yang terlalu lama, dsb. Sekalipun peraturan keselamatan terkait sudah diterapkan dan peralatan pengaman sudah digunakan, risiko-risiko lain tertentu tidak dapat dihindari. Antara lain:

- ◆ Cedera yang diakibatkan karena menyentuh komponen yang berputar/bergerak.
- ◆ Cedera yang terjadi saat mengganti komponen, pemotong, atau aksesoris.
- ◆ Cedera yang diakibatkan karena penggunaan alat untuk waktu lama. Jika menggunakan alat apa pun untuk waktu yang lama, pastikan Anda mengistirahatkannya secara berkala.
- ◆ Kerusakan indera pendengaran.
- ◆ Bahaya kesehatan yang disebabkan oleh menghirup debu yang ditimbulkan oleh penggunaan alat (contoh: mengebor kayu, khususnya kayu oak, beech, dan MDF)

LABEL PADA ALAT

Simbol-simbol berikut ini tertulis pada alat:



PERINGATAN! Untuk mengurangi risiko cedera, pengguna harus membaca buku petunjuk.

POSISI KODE BATANG TANGGAL

Kode Tanggal, yang juga mencantumkan tahun produksi, dicetak pada kerangka alat.

Contoh:

2014 XX JN
Tahun produksi

KESELAMATAN KELISTRIKAN



Alat ini berisolasi ganda; sehingga kabel arde (ground) tidak diperlukan. Selalu periksa apakah catu daya sesuai dengan nilai tegangan yang tercantum pada papan nilai.

- ◆ Jika kabel suplai rusak, harus diganti oleh pihak pabrik atau Pusat Layanan Stanley resmi untuk menghindari bahaya.

Menggunakan Kabel Ekstensi

Jika kabel ekstensi harus digunakan, gunakan kabel ekstensi yang disetujui yang sesuai dengan spesifikasi input daya pada alat (lihat data teknis). Luas penampang minimum dari kabel penghubung adalah 1,5 mm persegi. Kabel harus diurai sebelum digulung.

FITUR

Alat ini memiliki beberapa atau semua fitur berikut ini.

- Pegangan Samping
- Sakelar
- Penutup laras
- Lengan alat
- saluran masuk injeksi oli pelumas

PERAKITAN DAN PENYESUAIAN



PERINGATAN: Untuk mengurangi risiko

cedera diri, matikan unit dan lepas sambungan mesin dari sumber listrik sebelum memasang dan melepas aksesoris, sebelum menyesuaikan atau mengubah pengaturan, maupun saat melakukan perbaikan.

Pastikan sakelar pemicu dalam posisi OFF. Alat yang mendadak menyala dapat mengakibatkan cedera.

MEMASUKKAN DAN MELEPASKAN AKSESORI HEX 17MM (gbr. 1)

Alat ini menggunakan aksesoris HEX 17mm (lihat lampiran dalam gambar 1 untuk lintas bagian gagang mata bor HEX 17mm). Kami sarankan agar Anda hanya menggunakan aksesoris profesional.

- Bersihkan dan minyaki gagang mata bor.
- Masukkan gagang mata bor ke dalam penahan mata bor/lengan alat (d).
- Tekan mata bor ke bawah dan putar perlahan sampai pas pada lubangnya.
- Tarik mata bor untuk memeriksa apakah sudah terkunci benar. Fungsi penempaan memerlukan mata bor untuk dapat bergerak secara aksial beberapa sentimeter saat terkunci di penahan alat.
- Untuk melepas mata bor, tarik penahan alat/lengan pengunci (d) dan keluarkan mata bor.



PERINGATAN: Selalu kenakan sarung tangan saat mengganti aksesoris. Komponen logam yang terbuka pada alat dan aksesoris dapat menjadi sangat panas selama pengoperasian.

MEMASANG PEGANGAN SAMPING (gbr. 1)

Pegangan samping (a) dapat dipasang agar sesuai dengan pengguna kidal dan normal.



PERINGATAN: Jangan menggunakan alat ini tanpa pegangan samping yang terpasang dengan benar.

1. Mengendurkan pegangan samping.
2. **Untuk pengguna normal:** Geser penjepit pegangan samping ke atas cincin di balik penahan alat, pegang dengan tangan kiri.
Untuk pengguna kidal: Geser penjepit pegangan samping ke atas cincin di balik penahan alat, pegang dengan tangan kanan.
3. Putar pegangan samping ke posisi yang diinginkan, lalu kencangkan pegangan.

PETUNJUK PENGGUNAAN DAN PENGOPERASIAN

PERINGATAN:



- Selalu patuhi petunjuk keselamatan dan peraturan yang berlaku.
- Ketahui lokasi saluran pipa dan kabel.
- Gunakan tekanan ringan pada alat (kurang-lebih 5 kg). Kekuatan yang berlebihan tidak akan mempercepat pemahatan namun mengurangi performa alat dan dapat mempersingkat masa pakai alat.
- Selalu pegang alat dengan erat menggunakan kedua tangan dan pastikan kemantapan pijakan (gbr. 3). Selalu operasikan alat dengan pegangan samping sudah terpasang betul.

POSISI TANGAN YANG BENAR (gbr. 3)



PERINGATAN: Untuk mengurangi risiko cedera diri yang serius, **SELALU** gunakan posisi tangan yang tepat sesuai petunjuk gambar.



PERINGATAN: Untuk mengurangi risiko cedera diri yang serius, **SELALU** pegang dengan erat untuk mengantisipasi reaksi mendadak.

Posisi tangan yang benar berarti satu tangan pada pegangan samping (a) dan tangan lainnya pada pegangan utama.

MENYALAKAN DAN MEMATIKAN (gbr. 1)

1. Untuk menjalankan alat ini, tekan sakelar (b) dan putar ke posisi 'ON'.
2. Untuk menghentikan alat, putar ke posisi 'OFF' dan

lepaskan sakelar (b).

MEMOTONG DAN MEMAHAT (gbr. 1)

1. Masukkan pahat yang tepat ke posisi yang benar.
2. Sesuaikan pegangan samping (a) sesuai kebutuhan.
3. Nyalakan alat dan mulai bekerja.
4. Selalu matikan alat saat pekerjaan telah selesai dan sebelum melepaskan kabel listriknya.



PERINGATAN:

- ◆ *Jangan gunakan alat ini untuk mencampur atau memompa cairan yang mudah terbakar atau meledak (bensin, alkohol, dll.).*
- ◆ *Jangan mencampur atau mengaduk cairan yang mudah terbakar menurut label.*

PEMELIHARAAN

Alat/peralatan listrik berkabel/nirkabel Stanley dirancang untuk penggunaan jangka panjang dengan pemeliharaan minimal. Untuk memastikan operasi yang memuaskan, alat ini harus dirawat dan dibersihkan secara teratur

PERINGATAN! Sebelum melakukan pemeliharaan apa pun pada alat listrik berkabel/nirkabel:

- ◆ Matikan dan cabut peralatan/alat.
- ◆ Atau, matikan dan lepaskan baterai dari peralatan/alat jika peralatan/alat memiliki baterai terpisah.
- ◆ Atau, jika baterai terintegrasi, kosongkan baterai sama sekali, kemudian matikan.
- ◆ Lepas pengisi daya sebelum membersihkannya. Pengisi daya tidak membutuhkan perawatan lain di luar pembersihan berkala.
- ◆ Bersihkan celah-celah ventilasi peralatan/alat/pengisi daya Anda secara berkala menggunakan sikat lembut atau kain kering.
- ◆ Bersihkan kerangka motor secara teratur dengan menggunakan kain bersih yang lembap. Jangan gunakan bahan pembersih abrasif atau pembersih berbahan dasar larutan apa pun.
- ◆ Buka gagang secara berkala dan ketuk-ketuk untuk mengeluarkan debu dari bagian dalam alat (dalam posisi terpasang).

MENGGANTI KUAS KARBON (gbr. 4)



PELUMASAN

- ◆ Ganti dan periksa kuas karbon secara berkala. Ganti kuas secara tepat waktu saat dipakai untuk garis batas abrasif. Jaga kebersihan kuas karbon dan buat kuas tersebut leluasa bergeser dalam rentang penyikatan. Dua kuas harus diganti pada waktu yang sama.
- ◆ Gunakan obeng silang untuk melonggarkan sekrup berlawanan arah jarum jam (4), buka penutup bagian bawah(1) dengan obeng minus untuk membuka penutup kuas(2) berlawanan arah jarum jam, Anda dapat melepaskan kuas(3) seperti yang ditunjukkan pada gambar 4, dan letakkan kuas baru, lalu kencangkan penutup kuas(2) searah jarum jam, terakhir letakkan penutup bagian bawah(1), lalu gunakan obeng silang untuk mengencangkannya dengan benar.
- ◆ Buka tutup saluran masuk injeksi oli pelumas(e), periksa oli pelumas dalam gearbox, jika oli pelumas kotor atau tidak cukup, ganti atau tambah volume oli pelumas yang disediakan oleh perusahaan dalam volume yang cukup.



Pengumpulan produk dan kemasan bekas secara terpisah memungkinkan material untuk didaur ulang dan digunakan lagi. Penggunaan kembali bahan yang didaur ulang membantu mencegah pencemaran lingkungan dan mengurangi kebutuhan bahan baku.

Undang-undang setempat mungkin memfasilitasi pengumpulan produk-produk kelistrikan terpisah dari sampah rumah tangga, di tempat pembuangan sampah kota atau oleh pedagang ritel pada saat Anda membeli produk baru.



PEMBERSIHAN



PERINGATAN! Semprot ke luar kotoran dan debu pada bodi utama dengan udara kering sesering mungkin saat kotoran terlihat mengendap di dalam dan di sekitar ventilasi udara. Gunakan pelindung mata yang sesuai dan masker debu yang sesuai bilamana mengerjakan prosedur ini.



PERINGATAN! Jangan gunakan pelarut atau bahan kimia keras lainnya untuk membersihkan bagian alat yang tidak terbuat dari logam. Bahan kimia ini dapat merapuhkan material komponen. Cukup gunakan sabun lembut dan kain yang agak basah untuk membersihkan alat. Jangan sampai bagian dalam alat kemasukan air; jangan pernah rendam komponen alat dalam cairan.

KETERANGAN

- ◆ Kebijakan Stanley adalah salah satu peningkatan yang berkelanjutan pada produk kami, dan karenanya, kami berhak mengubah spesifikasi produk tanpa pemberitahuan sebelumnya.
- ◆ Perlengkapan dan aksesoris standar mungkin akan berbeda menurut negara.
- ◆ Spesifikasi produk mungkin akan berbeda menurut negara.
- ◆ Pilihan produk lengkap mungkin tidak tersedia di semua negara. Hubungi dealer Stanley setempat untuk mengetahui rangkaian produk yang tersedia.

MELINDUNGI LINGKUNGAN



Pengumpulan terpisah. Produk ini tidak boleh dibuang bersama limbah rumah tangga biasa.

Seandainya suatu hari Anda jumpai produk Stanley Anda butuh diganti, atau tidak lagi berguna bagi Anda, jangan buang alat ini bersama limbah rumah tangga biasa. Pisahkan pengumpulan produk ini.

เครื่องสกัดทำลายคอนกรีต STHM5

ข้อมูลด้านเทคนิค

ข้อมูลจำเพาะ	STHM5				
	-B1	-XD	-TW	-KR	
แรงดันไฟฟ้า	โวลต์	220-240	220-240	110	220
ความถี่	เฮิร์ตซ์	50/60	50/60	60	60
กำลังไฟ			วัตต์		1010
อัตราเจาะกระแทก			bpm		2900
แรงกระแทก			J		8.5
ตำแหน่งดอกสกัด					6
ประเภทดอกสว่าน			มม.		Hex 17
น้ำหนัก			กก		6.1

วัตถุประสงค์ในการใช้งาน

เครื่องสกัดทำลายคอนกรีตของ Stanley ออกแบบมาเพื่อการใช้งานสำหรับการสกัด การถากชนิดเบาหรือปานกลาง และการเจาะทำลายคอนกรีต ก้อนหิน และปูนสำหรับมืออาชีพ

กฎความปลอดภัยทั่วไป

คำเตือน! โปรดอ่านคำเตือนและข้อปฏิบัติเพื่อความปลอดภัยทั้งหมด การไม่ปฏิบัติตามคำเตือนและข้อปฏิบัติเหล่านี้อาจทำให้เกิดไฟฟ้าช็อต เกิดอัคคีภัย และ/หรือบาดเจ็บสาหัสได้ คำว่า "เครื่องมือไฟฟ้า" ในคำเตือนทั้งหมดที่แสดงไว้ข้างล่าง หมายถึง เครื่องมือไฟฟ้า (แบบมีสาย) ที่ทำงานด้วยแหล่งจ่ายไฟหลัก หรือเครื่องมือไฟฟ้า (แบบไร้สาย) ที่ทำงานด้วยแบตเตอรี่

โปรดเก็บรักษาตำแหน่งเหล่านี้ไว้

1. ความปลอดภัยในบริเวณที่ทำงาน

- พื้นที่ทำงานจะต้องสะอาดและมีแสงสว่างเพียงพอ บริเวณที่มีดีหรือมีของวางระเกะระกะอาจทำให้เกิดอุบัติเหตุได้
- ห้ามใช้เครื่องมือไฟฟ้าในบริเวณที่อาจเกิดการระเบิด เช่น เมื่อมีของเหลว แก๊ส หรือ ฝุ่นละเอียดที่ไวไฟ เครื่องมือไฟฟ้าจะทำให้เกิดประกายไฟที่อาจทำให้เกิดละอองไฟหรือเปลวไฟขึ้นได้
- ระวังไม่ให้เด็กเล็กและคนเดินผ่านไปมาเข้าใกล้ ในขณะที่ใช้งานเครื่องมือไฟฟ้า สิ่งรบกวนอาจทำให้คุณเสียสมาธิได้

2. ความปลอดภัยทางไฟฟ้า

- ปลั๊กไฟของเครื่องต้องเป็นชนิดเดียวกับตัวรับ ห้ามตัดแปลงปลั๊กไม่ว่าด้วยวิธีใด ห้ามใช้ปลั๊กอะแดปเตอร์ใดๆ กับเครื่องมือไฟฟ้าที่ต่อสายดิน (ลงกราวด์) ปลั๊กที่ไม่มีการตัดแปลงและตัวรับชนิดเดียวกันจะช่วยลดความเสี่ยงจากการถูกไฟฟ้าช็อต
- หลีกเลี่ยงการสัมผัสพื้นผิวที่ต่อสายดินหรือลงกราวด์ เช่น ท่อ เครื่องทำความร้อน เตาหุงต้ม และตู้เย็น มีความเสี่ยงเพิ่มขึ้นที่จะถูกไฟฟ้าช็อต หากร่างกายของคุณเป็นสื่อเชื่อมต่อลงดินหรือลงกราวด์
- อย่าให้เครื่องมือไฟฟ้าถูกฝนหรือเปียกน้ำ น้ำที่เข้าเครื่องมือไฟฟ้าจะทำให้มีความเสี่ยงในการถูกไฟฟ้าช็อตเพิ่มขึ้น
- ห้ามใช้สายไฟผิดวัตถุประสงค์ ห้ามใช้สายไฟเพื่อการหิ้ว ดึง หรือถอดปลั๊กเครื่องมือไฟฟ้า เก็บสายไฟให้พ้นจากความร้อน น้ำมัน ของมีคม หรือ ชิ้นส่วนที่กำลังเคลื่อนที่ สายไฟที่ชำรุดหรือพันกันเป็นการเพิ่มความเสี่ยงจากการถูกไฟฟ้าช็อต
- เมื่อใช้เครื่องมือไฟฟ้าในอาคาร ให้ใช้สายต่อพ่วงที่เหมาะสมสำหรับการใช้งานนอกอาคาร การใช้สายไฟที่เหมาะสมสำหรับการใช้งานนอกอาคารจะช่วยลดความเสี่ยงต่อการเกิดไฟฟ้าช็อต
- หากไม่สามารถหลีกเลี่ยงการใช้เครื่องมือไฟฟ้าในบริเวณที่ชื้นและได้ ให้ใช้อุปกรณ์ป้องกันไฟฟ้าสะสม (RCD) ที่จัดให้ การใช้ RCD จะช่วยลดความเสี่ยงจากการถูกไฟฟ้าช็อต

3. ความปลอดภัยส่วนบุคคล

- ตื่นตัวและมีสมาธิกับสิ่งที่คุณกำลังทำ รวมทั้งใช้สามัญสำนึกในขณะที่กำลังใช้งานเครื่องมือไฟฟ้า ห้ามใช้เครื่องมือไฟฟ้าในขณะที่คุณกำลังเหนื่อยหรือได้รับอิทธิพลจากยา แอลกอฮอล์ หรือการรักษามานานอย่าง การขาดความระมัดระวังในการใช้เครื่องมือไฟฟ้าแม้ชั่วขณะหนึ่งอาจทำให้บาดเจ็บสาหัสได้
- ใช้อุปกรณ์คุ้มครองความปลอดภัยส่วนบุคคลสวมอุปกรณ์ป้องกันดวงตาเสมอ อุปกรณ์ป้องกัน เช่น หน้ากากกันฝุ่น รองเท้านิรภัยกันลื่น หมวกนิรภัย หรืออุปกรณ์ป้องกันเสียงดังสำหรับสภาพที่เหมาะสมจะช่วยลดอาการบาดเจ็บทางร่างกาย
- ป้องกันเครื่องเปิดทำงานโดยไม่ได้ตั้งใจ สวิตช์ต้องอยู่ในตำแหน่งปิดก่อนที่จะเสียบปลั๊กของเครื่องเข้ากับแหล่งจ่ายไฟ และ/หรือแบตเตอรี่หรือคอนแทคหรือหัวเครื่องมือ การยกเครื่องมือไฟฟ้าในขณะที่นิ้วอยู่ที่สวิตช์ หรือใช้เครื่องมือไฟฟ้าที่ สวิตช์เปิดอยู่ อาจทำให้เกิดอุบัติเหตุได้
- ถอดกุญแจปรับแต่งหรือประแจออกก่อนเปิดสวิตช์เครื่องมือไฟฟ้า ประแจหรือกุญแจที่เสียบค้างอยู่ในชิ้นส่วนที่หมุนได้ของเครื่องมือไฟฟ้าอาจ

ทำให้ได้รับบาดเจ็บได้

- จ) ห้ามยืนเขย่งเท้าขณะใช้เครื่อง ควรยืนในท่าที่เหมาะสมและสมดุลตลอดเวลา เพื่อช่วยในการควบคุมเครื่องมือไฟฟ้าได้ดียิ่งขึ้นในสถานการณ์ที่ไม่คาดคิด
- ฉ) แต่งกายให้เหมาะสม ห้ามสวมเสื้อผ้าหลวมหรือใส่เครื่องประดับ รวบผม ชายเสื้อ และถุงมือให้ห่างจากชิ้นส่วนที่กำลังหมุน เสื้อผ้าที่หลวม เครื่องประดับ หรือผมที่ยาวอาจเข้าไปพันกับชิ้นส่วนที่กำลังหมุน
- ช) หากมีอุปกรณ์สำหรับดูดและเก็บฝุ่น ต้องตรวจสอบให้แน่ใจว่าได้เชื่อมต่อและใช้งานอุปกรณ์นั้นอย่างเหมาะสม การใช้อุปกรณ์เก็บฝุ่นจะช่วยลดอันตรายที่เกี่ยวข้องกับฝุ่นได้

4 การใช้และการดูแลรักษาเครื่องมือไฟฟ้า

- ก) ห้ามฝืนใช้เครื่องมือไฟฟ้า เลือกใช้เครื่องมือไฟฟ้าที่ถูกตั้งตรงกับลักษณะการใช้งานของคุณ เครื่องมือไฟฟ้าที่ถูกตั้งยอมนทำงานได้ดีกว่าและปลอดภัยกว่า เมื่อใช้งานตามที่คิดที่เครื่องมือได้รับการออกแบบมา
- ข) ห้ามใช้เครื่องมือไฟฟ้าถ้าสวิตช์เปิดปิดเครื่องไม่ทำงาน เครื่องมือไฟฟ้าที่ไม่สามารถควบคุมผ่านสวิตช์ได้ ถือว่ามีความอันตรายและต้องส่งซ่อม
- ค) ถอดปลั๊กของเครื่องมือไฟฟ้าออกจากแหล่งจ่ายไฟ และ/หรือชุดแบตเตอรี่ก่อนทำการปรับแต่ง เปลี่ยนอุปกรณ์เสริม หรือจัดเก็บเครื่องมือไฟฟ้ามาตรวจการเพื่อความปลอดภัยเชิงการป้องกันนี้จะช่วยลดความเสี่ยงในการเปิดเครื่องให้ทำงานโดยไม่ตั้งใจ
- ง) เก็บเครื่องมือไฟฟ้าที่ไม่ใช้งานไว้ให้พ้นมือเด็ก และไม่อนุญาตให้บุคคลที่ไม่คุ้นเคยกับเครื่องมือไฟฟ้าหรือคำแนะนำเหล่านี้เป็นผู้ใช้เครื่องมือไฟฟ้าจะเป็นอันตรายหากอยู่ในมือผู้ใช้ที่ไม่มีควมชำนาญ
- จ) บำรุงรักษาเครื่องมือไฟฟ้า ตรวจสอบว่าชิ้นส่วนที่เคลื่อนที่ได้มีการวางไม่ตรงแนวหรือติดขัดหรือไม่ มีชิ้นส่วนที่แตกหัก และสภาพอื่นใดที่อาจส่งผลต่อการทำงานของเครื่องมือไฟฟ้าหรือไม่ หากชำรุดเสียหาย ให้นำเครื่องมือไปส่งซ่อมก่อนนำมาใช้ อุบัติเหตุจำนวนมากเกิดจากการดูแลรักษาเครื่องมือไฟฟ้าไม่ดีพอ
- ฉ) เครื่องมือตัดต้องคมและสะอาดอยู่เสมอ เครื่องมือตัดที่ได้รับการดูแลรักษาอย่างถูกต้อง และมีขอบตัดคม จะมีปัญหาติดขัดน้อย และควบคุมได้ง่ายกว่า
- ช) ใช้เครื่องมือไฟฟ้า อุปกรณ์เสริมและชุดอุปกรณ์ต่างๆ ให้สอดคล้องกับคำแนะนำเหล่านี้และตรงตามวัตถุประสงค์การใช้งานของเครื่องมือไฟฟ้าแต่ละชนิด โดยพิจารณาถึงสภาพการทำงาน และงานที่ทำเป็นสำคัญ การใช้เครื่องมือไฟฟ้าทำงานอื่นนอกเหนือจากที่กำหนดไว้อาจทำให้เกิดอันตรายได้

5 การบริการ

- ก) ให้ช่างซ่อมที่มีความเชี่ยวชาญเป็นผู้ซ่อมเครื่องมือ และใช้อะไหล่แท้เท่านั้น ซึ่งจะช่วยให้มั่นใจได้ว่าเครื่องมือไฟฟ้ายังมีความปลอดภัยอยู่

คำเตือนด้านความปลอดภัยของเครื่องมือที่มัลติการกระแทก

- ◆ สวมใส่อุปกรณ์ป้องกันเสียงดังเมื่อทำงานเจาะ กระแทก การเผชิญกับเสียงดังมาก อาจทำให้สูญเสียความสามารถในการได้ยิน
- ◆ ใช้มือจับเสริม หากนำมาพร้อมกับการสั่น การสั่นและการควบคุมเครื่องอาจทำให้ได้รับบาดเจ็บได้
- ◆ จับเครื่องมือไฟฟ้าที่พื้นผิวส่วนที่ใช้จับซึ่งมีฉนวนป้องกัน เมื่อใช้งานเครื่องและอุปกรณ์เสริมที่ใช้กับงานตัดอาจสัมผัสกับสายไฟที่ซ่อนอยู่หรือสายไฟของตัวเครื่องเอง อุปกรณ์เสริมที่ใช้กับงานตัดที่สัมผัสกับสายไฟ "ที่มีไฟฟ้า" อาจทำให้ส่วนของโลหะที่ถูกล้มผัส "มีไฟฟ้า" และช็อคผู้ใช้เครื่องมือได้
- ◆ ตรวจสอบให้แน่ใจว่าวัสดุที่จะเจาะไม่มีระบบไฟฟ้าหรือแก๊สอยู่ภายใน และมีการตรวจสอบตำแหน่งแล้วโดยบริษัทที่ให้บริการด้านสาธารณูปโภค
- ◆ จับที่ด้ามจับของเครื่องมือให้มั่นคงตลอดเวลา อย่าใช้เครื่องมือทำงานใดๆ โดยไม่จับเครื่องมือด้วยมือทั้งสองข้าง การใช้เครื่องมือนี้ด้วยมือข้างเดียวจะทำให้สูญเสียการควบคุม การเจาะทะลุหรือการเจาะเข้าวัสดุที่แข็งอย่างเช่น เหล็กเส้น อาจก่อให้เกิดอันตรายได้เช่นกัน โปรดอ่านมือจับเสริมด้านข้างให้แน่ก่อนใช้งาน
- ◆ ดอกสกัดต้องยึดเข้าในตำแหน่งดีแล้วก่อนการใช้งานเครื่องมือ
- ◆ ในสภาพอากาศที่หนาวเย็น หรือเมื่อไม่มีการใช้เครื่องมือต่อเนื่องเป็นเวลานาน ให้เปิดเครื่องทำงานโดยไม่มีภาระโหลดเป็นเวลาหลายนาทีก่อนการใช้งาน
- ◆ เมื่อทำงานเหนือพื้นราบ ตรวจสอบให้แน่ใจว่าบริเวณด้านล่างไม่มีสิ่งกีดขวาง
- ◆ ห้ามสัมผัสดอกสกัดหรือส่วนที่อยู่ใกล้กับดอกสกัดทันทีหลังการใช้งาน เนื่องจากชิ้นส่วนเหล่านี้อาจมีความร้อนสูงและอาจทำให้ผิวหนังเป็นแผลไหม้ได้
- ◆ ควรปรับสายไฟไปทางด้านหลังทุกครั้ง ให้ห่างจากดอกสกัด
- ◆ อย่าใช้งานเครื่องมือนี้ต่อเนื่องเป็นเวลานาน แรงสั่นสะเทือนที่เกิดจากการตอกกระแทก อาจทำให้เกิดอันตรายต่อมือและแขนของคุณ ใช้ถุงมือเพื่อดูดซับแรงสั่นสะเทือนบางส่วน และจำกัดแรงสั่นสะเทือนโดยหยุดเครื่องเป็นระยะๆ

ความเสี่ยงอื่นๆ ที่ยังมีอยู่

ความเสี่ยงอื่นๆ ที่ไม่ได้รับในค่าเดือนเพื่อความปลอดภัยนี้ อาจเกิดขึ้นได้เมื่อใช้เครื่องมือ ความเสี่ยงเหล่านี้อาจเกิดขึ้นจากการใช้อย่างไม่ถูกต้อง การใช้เป็นเวลานาน เป็นต้น แม้จะปฏิบัติตามข้อกำหนดด้านความปลอดภัยที่เกี่ยวข้องและใช่อุปกรณ์ที่เรียบร้อยแล้วก็ตาม แต่ก็ไม่สามารถหลีกเลี่ยงความเสี่ยงบางอย่างได้ ความเสี่ยงเหล่านี้ ได้แก่:

- ♦ การบาดเจ็บที่เกิดจากการสัมผัสชิ้นส่วนที่หมุน/เคลื่อนที่
- ♦ การบาดเจ็บที่เกิดขึ้นขณะเปลี่ยนชิ้นส่วน ใบมีด หรืออุปกรณ์เสริม
- ♦ การบาดเจ็บที่เกิดจากการใช้เครื่องมือเป็นเวลานาน เมื่อใช้เครื่องมือต่อเนื่องเป็นเวลานาน ต้องหยุดพักเป็นระยะๆ
- ♦ ความบกพร่องในการไต่ขึ้นเสียง
- ♦ อันตรายต่อสุขภาพที่เกิดจากการสูดดมฝุ่นจากการใช้เครื่องมือ (ตัวอย่างเช่น การทำงานกับไม้ โดยเฉพาะไม้อัด ไม้ซีซ และไม้ MDF)

สัญลักษณ์บนเครื่องมือ

สัญลักษณ์ต่อไปนี้จะปรากฏบนเครื่องมือ:



คำเตือน! เพื่อลดความเสี่ยงต่อการบาดเจ็บ ผู้ใช้ต้องอ่านคู่มือการใช้งานเล่มนี้

ตำแหน่งของบาร์โค้ดวันที่

รหัสวันที่ ซึ่งรวมถึงปีที่ผลิต จะพิมพ์อยู่บนตัวเครื่องตัวอย่าง

2014 XX JN
ปีที่ผลิต

ความปลอดภัยเกี่ยวกับไฟฟ้า



เครื่องมือนี้มีฉนวนสองชั้น ดังนั้นจึงไม่จำเป็นต้องต่อสายดิน ต้องตรวจสอบกำลังไฟเพื่อให้ตรงกับแรงดันไฟฟ้าบนแผ่นแสดงพิกัดเสมอ

- ♦ หากสายไฟของตัวเครื่องชำรุดเสียหาย ต้องได้รับการเปลี่ยนโดยผู้ผลิตหรือศูนย์บริการของ Stanley ที่ได้รับอนุญาตเพื่อหลีกเลี่ยงอันตรายที่อาจเกิดขึ้น

การใช้สายพ่วง

หากจำเป็นจะต้องใช้สายพ่วง โปรดใช้สายพ่วงที่ได้มาตรฐานและตรงตามข้อกำหนดเฉพาะสำหรับกำลังไฟเข้าของเครื่องมือ (โปรดดูข้อมูลทางเทคนิค) ขนาดพื้นที่หน้าตัดต่ำสุดของสายไฟคือ 1.5 ตร.มม. ควรคลายสายไฟก่อนม้วนเก็บ

ส่วนประกอบสำคัญ

เครื่องมือนี้มีส่วนประกอบสำคัญบางอย่างหรือทั้งหมดดังต่อไปนี้

- a. มือจับเสริมด้านข้าง
- b. สวิตช์
- c. ฝาครอบตัวถัง
- d. ปลอกล็อกเครื่องมือ
- e. ช่องหยอดน้ำมัน

การประกอบและการปรับตั้ง



คำเตือน: เพื่อลดความเสี่ยงที่จะได้รับบาดเจ็บ ให้ปิดเครื่องมือและถอดปลั๊กออกจากแหล่งจ่ายไฟก่อนการประกอบและถอดอุปกรณ์เสริม ก่อนการปรับแต่งหรือเปลี่ยนชุดติดตั้ง หรือขณะทำการซ่อมแซม ตรวจสอบให้แน่ใจว่าสวิตช์อยู่ใน ตำแหน่ง "ปิด" การเชื่อมต่อเครื่องมือโดยไม่ได้อัดตั้งไว้อาจเป็นสาเหตุ ให้เกิดการบาดเจ็บได้

การใส่และการถอดประกอบอุปกรณ์เสริม Hex 17 มม. (ภาพ 1)

เครื่องมือนี้ใช้อุปกรณ์เสริม HEX 17 มม. (โปรดดูกรอบเล็กในภาพ 1 ซึ่งแสดงภาพตัดขวางของก้านดอกสว่าน HEX 17 มม.) ขอแนะนำให้ใช้อุปกรณ์เสริมมาตรฐานระดับมืออาชีพเท่านั้น

1. ทำความสะอาดและหล่อลื่นก้านดอกสว่าน
2. สอดก้านดอกสว่านเข้าไปในปลอกยึดดอกสว่าน/ปลอกล็อก (d)
3. กดดอกสว่านลง ค่อยๆ หมุนดอกสว่านจนกระทั่งเข้าพอดีในช่อง
4. ลองดึงดอกสว่านออกเพื่อตรวจสอบว่าดอกสว่านล็อกอยู่ในตำแหน่งถูกต้องแล้ว สำหรับคุณสมบัติการเจาะสักัด ดอกสว่านจะต้องเคลื่อนตามแนวแกนได้หลายเซนติเมตรเมื่อล็อกอยู่ในหัวจับดอกสว่าน
5. การถอดประกอบดอกสว่าน ให้ดึงตัวจับอุปกรณ์/ปลอกล็อก (d) กลับ แล้วดึงดอกสว่านออก



คำเตือน: สวมถุงมือขณะเปลี่ยนอุปกรณ์เสริมเสมอ ชิ้นส่วนโลหะบนเครื่องมือและอุปกรณ์เสริมอาจร้อนมากในระหว่างการทำงาน

การติดตั้งมือจับเสริมด้านข้าง (ภาพ 1)

มือจับเสริมด้านข้าง (a) สามารถติดตั้งได้ทั้งสำหรับผู้ใช้ที่ถนัดมือซ้ายและมือขวา



คำเตือน: ห้ามใช้เครื่องมือโดยไม่มีมือจับเสริมด้านข้างประกอบอยู่อย่างถูกต้อง

1. คลายมือจับเสริมด้านข้าง

- สำหรับผู้ใช้ที่ถนัดมือขวา: เลื่อนด้วยยึดมือจับเสริมด้านข้างไปบนปลอกหมอนซึ่งอยู่ด้านหลังตัวจับอุปกรณ์ ให้มือจับอยู่ด้านซ้าย
- สำหรับผู้ใช้ที่ถนัดมือซ้าย: เลื่อนด้วยยึดมือจับเสริมด้านข้างไปบนปลอกหมอนซึ่งอยู่ด้านหลังตัวจับอุปกรณ์ ให้มือจับอยู่ด้านขวา
- หมุนมือจับเสริมด้านข้างไปยังตำแหน่งที่ต้องการแล้วขันมือจับให้แน่น

วิธีการใช้งานเครื่อง

คำเตือน:



- ทำตามคำแนะนำด้านความปลอดภัยและข้อกำหนดที่บังคับใช้เสมอ
- ระวังตำแหน่งของระบบท่อน้ำและสายไฟ
- ออกแรงกดไปยังเครื่องมือเพียงเบาๆ (ประมาณ 5 กก.) การออกแรงกดมากเกินไป ไม่ได้ช่วยให้สามารถสกัดไต้เร็วขึ้น แต่ยังเป็นการลดประสิทธิภาพของเครื่องมือ และทำให้เครื่องมืออายุการใช้งานสั้นลงอีกด้วย
- จับเครื่องมือด้วยมือทั้งสองข้างให้แน่น และอยู่ในท่ายืนที่มั่นคง (ภาพ 3) ใช้งานเครื่องมือโดยมีมือจับเสริมด้านข้างติดตั้งอย่างถูกต้องเสมอ

ตำแหน่งของมือที่ถูกต้อง (รูป 3)

คำเตือน: เพื่อลดความเสี่ยงจากการได้รับบาดเจ็บสาหัส ให้จับเครื่องมือในตำแหน่งที่ถูกต้องดังแสดงในภาพ เสมอ



คำเตือน: เพื่อลดความเสี่ยงจากการได้รับบาดเจ็บสาหัส จะต้องจับเครื่องมือให้แน่นทุกครั้ง เพื่อเตรียมพร้อมสำหรับแรงปฏิกิริยาที่เกิดขึ้นแบบทันทีทันใด



ตำแหน่งของการจับที่ถูกต้องคือ มือหนึ่งอยู่บนมือจับเสริมด้านข้าง (a) อีกมือหนึ่งอยู่บนมือจับหลัก

การเปิดและปิดสวิตช์ (รูป 1)

- เปิดเครื่องให้ทำงานโดยการกดสวิตช์ (b) และดันไปที่ตำแหน่ง "เปิด"
- ปิดเครื่องโดยการดันสวิตช์ไปที่ตำแหน่ง "ปิด" แล้วปล่อยสวิตช์ (b)

การสกัดและการถาก (รูป 1)

- ใส่ดอกสว่านที่เหมาะสมในตำแหน่งที่ถูกต้อง
- ปรับตั้งมือจับเสริมด้านข้างตามที่ต้องการ
- เปิดสวิตช์เครื่องมือและเริ่มทำงาน
- ปิดสวิตช์เครื่องมือทุกครั้งเมื่อทำงานเสร็จแล้ว และก่อนดึงปลั๊กออก



คำเตือน:

- ห้ามใช้เครื่องมือนี้เพื่อผสมหรือบีบของเหลวไวไฟหรือที่สามารถระเหยติดไฟ (เช่น เบนซิน แอลกอฮอล์ เป็นต้น)
- ห้ามผสมหรือกวนของเหลวที่ติดป้ายฉลากของเหลวไวไฟ

การบำรุงรักษา

เครื่องมือแบบมีสาย/ไร้สายของ Stanley ได้รับการออกแบบมาเพื่อให้สามารถใช้งานได้ยาวนานต่อเนื่องโดยมีการบำรุงรักษาน้อยที่สุด เพื่อให้แน่ใจว่าเครื่องมือทำงานได้อย่างน่าพึงพอใจ จะต้องหมั่นบำรุงรักษาและทำความสะอาดสม่ำเสมอ

คำเตือน! ก่อนทำการบำรุงรักษาเครื่องมือไฟฟ้าแบบมีสาย/ไร้สาย จะต้อง:

- ปิดสวิตช์และถอดปลั๊กเครื่องมือ
- หรือปิดสวิตช์และถอดแบตเตอรี่ออกจากเครื่องมือ ถ้าเครื่องมือมีชุดแบตเตอรี่แยกต่างหาก
- หรือใช้แบตเตอรี่จนหมดถ้าแบตเตอรี่อยู่รวมกับเครื่อง จากนั้นให้ปิดสวิตช์
- ถอดปลั๊กเครื่องชาร์จออกก่อนจะทำความสะอาดเครื่องชาร์จไม่ต้องการการดูแลเป็นพิเศษ นอกเหนือจากการทำความสะอาดเป็นประจำ
- ทำความสะอาดช่องระบายอากาศในเครื่องมือและเครื่องชาร์จของคุณเป็นประจำโดยใช้แปรงขนอ่อนหรือผ้าแห้ง
- ทำความสะอาดตัวมอเตอร์เป็นประจำโดยใช้ผ้าขนานหมาดๆ ห้ามใช้น้ำยาทำความสะอาดที่มีฤทธิ์กัดกร่อนหรือมีส่วนผสมของตัวทำละลาย
- เปิดตัวจับดอกสว่านออกมาเคาะเป็นประจำเพื่อกำจัดฝุ่นที่ติดอยู่ในตัวจับ (ในขณะติดตั้ง)

การเปลี่ยนแปรงถ่าน (รูป 4)



การหล่อลื่น

- เปลี่ยนและตรวจสอบแปรงถ่านอย่างสม่ำเสมอ ให้เปลี่ยนเมื่อแปรงถ่านสึกหรองถึงเส้นขอบที่กัดกร่อน พยายามรักษาแปรงถ่านให้สะอาด และไม่ให้ติดขัดในช่องแปรง ควรเปลี่ยนแปรงถ่านทั้งสองอันพร้อมกัน
- ใช้ไขควงปากแฉกเพื่อคลายสกรูตามทิศทางทวนเข็มนาฬิกา (4) แล้วเปิดตัวครอบด้านล่าง(1) ด้วยไขควงแบนตามทิศทางทวนเข็มนาฬิกาเพื่อเปิดตัวปิดแปรงถ่าน(2) คุณสามารถถอดแปรงถ่าน(3) ออก

- มาแสดงในรูปแบบ 4 และใส่แปรงถ่านใหม่ จากนั้นให้
ขันตัวปิดรถถ่านโดยขันตามเข็มนาฬิกา(2) สุดท้าย
ให้นำตัวครอบด้านล่าง(1) มาประกอบ แล้วใช้ไขควง
ปากแฉกขันให้แน่นเข้าที่
- ♦ เปิดฝาปิดช่องหยอดน้ำมัน ตรวจสอบน้ำมันหล่อลื่น
ในเกียร์บ็อกซ์ ถ้าน้ำมันหล่อลื่นสกปรกหรืออยู่ใน
ระดับที่ไม่เพียงพอ ให้เปลี่ยนหรือเติมน้ำมันหล่อลื่น
ซึ่งบริษัทให้มาในระดับที่เพียงพอ

ในการเปลี่ยนแปลงข้อมูลจำเพาะของผลิตภัณฑ์โดย
ไม่แจ้งให้ทราบล่วงหน้า

- ♦ อุปกรณ์มาตรฐานและอุปกรณ์เสริมอาจแตกต่างกัน
ในแต่ละประเทศ
- ♦ ข้อมูลจำเพาะของผลิตภัณฑ์อาจแตกต่างกันใน
แต่ละประเทศ
- ♦ ตัวเลือกผลิตภัณฑ์อาจมีจำหน่ายไม่ครบทุกรายการ
ในบางประเทศ โปรดสอบถามตัวเลือกผลิตภัณฑ์
จากตัวแทนจำหน่ายของ Stanley ในประเทศของคุณ



การทำความสะอาด



คำเตือน! หมั่นเป่าสิ่งสกปรกและฝุ่นละอองที่
สะสมออกจากตัวเครื่องเป็นประจำด้วยลมแห้ง
เนื่องจากสิ่งสกปรกมักสะสมอยู่ภายในและ
รอบๆ ช่องระบายอากาศ สวมอุปกรณ์ป้องกัน
ดวงตาและหน้ากากกันฝุ่นที่ได้มาตรฐานใน
ขณะดำเนินการขั้นตอนนี้



คำเตือน! ห้ามใช้สารที่เป็นตัวทำลายหรือ
สารเคมีที่มีฤทธิ์กัดกร่อนรุนแรงอื่นๆ ทำความ
สะอาดชิ้นส่วนที่ไม่ใช่โลหะของเครื่องมือ สาร
เคมีเหล่านี้อาจส่งผลกระทบต่อวัสดุที่ใช้ในชิ้นส่วน
เหล่านี้ การทำความสะอาดเครื่องให้ใช้สบู่อ่อน
และผ้าชุบน้ำหมาดๆ เท่านั้น อย่าให้มีของเหลว
ใดๆ เข้าไปในเครื่องมือเด็ดขาด ห้ามจุ่มส่วน
ใดๆ ของเครื่องมือลงในของเหลวเด็ดขาด

การปกป้องสิ่งแวดล้อม



การเก็บรวบรวมแบบคัดแยก ห้ามทิ้ง
ผลิตภัณฑ์นี้รวมกับขยะในครัวเรือนปกติ

หากวันหนึ่งคุณพบว่า จำเป็นต้องเปลี่ยนผลิตภัณฑ์
Stanley ของคุณ หรือถ้าเครื่องมือนี้ไม่เป็นประโยชน์
สำหรับคุณอีกต่อไป อย่าทิ้งผลิตภัณฑ์นี้รวมกับขยะใน
ครัวเรือน จัดการกับผลิตภัณฑ์นี้เพื่อให้พร้อมสำหรับการ
เก็บรวบรวมแบบคัดแยก



การเก็บรวบรวมแบบคัดแยกสำหรับบรรจุภัณฑ์
และผลิตภัณฑ์ที่ใช้แล้วทำให้สามารถรีไซเคิล
วัสดุและนำมาใช้งานอีกครั้ง การนำวัสดุ
รีไซเคิลมาใช้อีกครั้งจะช่วยป้องกันมลพิษต่อ
สิ่งแวดล้อมและลดความต้องการวัตถุดิบ

ตามกฎหมายท้องถิ่นอาจมีการจัดเตรียมสถานที่
สำหรับการเก็บรวบรวมแบบคัดแยกอุปกรณ์ไฟฟ้าที่ใช้
ภายในครัวเรือนไว้ ณ แหล่งรับขยะของเทศบาล หรือ
อาจมีการรับอุปกรณ์ใช้แล้วจากผู้ค้าปลีกในกรณีที่คุณ
ซื้อผลิตภัณฑ์ชิ้นใหม่

ข้อสังเกต

- ♦ เนื่องจาก Stanley มินนโยบายพัฒนาปรับปรุง
ผลิตภัณฑ์อย่างต่อเนื่อง ดังนั้น เราจึงขอสงวนสิทธิ์

Máy đục STHM5

Thông số kỹ thuật

THÔNG SỐ KỸ THUẬT		STHM5			
		-B1	-XD	-TW	-KR
Điện áp	V	220-240	220-240	110	220
Tần số	Hz	50/60	50/60	60	60
Công suất		W		1010	
Tốc độ va đập		lần/phút		2900	
Lực đập		J		8,5	
Số vị trí mũi đục		6			
Loại đầu kẹp		mm		Lục giác 17	
Trọng lượng		kg		6,1	

Mục đích sử dụng

Máy đục Stanley được thiết kế để đục, đục, đục và phá nham hoặc trung bình một cách chuyên nghiệp vào bê tông, gạch và tường.

Các quy tắc an toàn chung

CẢNH BÁO! Hãy đọc tất cả các cảnh báo và hướng dẫn về an toàn. Việc không tuân theo tất cả các hướng dẫn được liệt kê bên dưới có thể dẫn đến điện giật, cháy và/hoặc chấn thương nghiêm trọng. Thuật ngữ “dụng cụ điện cầm tay” trong phần cảnh báo chỉ thiết bị chạy bằng điện nguồn (có dây điện) hoặc thiết bị chạy bằng pin (không có dây điện).

GIỮ LẠI CÁC HƯỚNG DẪN NÀY.

1) An toàn tại nơi làm việc

- Đảm bảo nơi làm việc luôn sạch sẽ và đủ ánh sáng.** Những khu vực bừa bộn hoặc thiếu ánh sáng dễ gây tai nạn.
- Không vận hành dụng cụ điện cầm tay trong các môi trường dễ cháy nổ, như các môi trường có chất lỏng, khí ga hoặc bụi dễ cháy.** Dụng cụ điện cầm tay tạo ra các tia lửa điện có thể gây cháy bụi hoặc bốc khói.
- Không cho trẻ em và những người quan sát lại gần khi đang vận hành dụng cụ điện cầm tay.** Những lúc xao lãng có thể khiến bạn mất kiểm soát.

2. An toàn điện

- Phích cắm của dụng cụ điện cầm tay phải vừa với ổ cắm. Không sửa đổi phích cắm bằng bất kỳ cách nào. Không sử dụng các phích cắm chuyển đổi với những dụng cụ điện cầm tay có nối đất.** Phích cắm nguyên trạng và ổ cắm phù hợp sẽ giúp giảm nguy cơ bị điện giật.
- Tránh tiếp xúc với các bề mặt được nối đất như đường ống, lò sưởi, bếp nướng và tủ lạnh.** Nguy cơ bị điện giật sẽ cao hơn nếu cơ thể bạn tiếp xúc trực tiếp với đất.
- Không để các dụng cụ điện cầm tay ngoài trời mưa hoặc ở nơi ẩm ướt.** Nước vào trong dụng cụ điện cầm tay sẽ làm tăng nguy cơ bị điện giật.
- Không dùng dây điện cho các mục đích khác. Tuyệt đối không sử dụng dây điện để mang, kéo hoặc rút phích cắm dụng cụ điện cầm tay. Giữ dây điện cách xa nguồn nhiệt, dầu mỡ, các cạnh sắc hoặc các bộ phận chuyển động.** Dây điện bị hỏng hoặc bị vướng sẽ làm tăng nguy cơ bị điện giật.
- Khi vận hành dụng cụ điện cầm tay ngoài trời, hãy sử dụng dây nối dài phù hợp để sử dụng ngoài trời.** Sử dụng dây điện phù hợp để sử dụng ngoài trời sẽ giúp giảm nguy cơ bị điện giật.
- Nếu bắt buộc phải vận hành dụng cụ điện cầm tay ở nơi ẩm ướt, hãy sử dụng nguồn được bảo vệ bởi thiết bị ngắt mạch tự động (RCD).** Sử dụng RCD giúp giảm nguy cơ bị điện giật.

3. An toàn cá nhân

- Hãy tập trung, chú ý vào những gì bạn đang làm và tỉnh táo khi vận hành dụng cụ điện cầm tay. Không sử dụng dụng cụ điện cầm tay khi bạn đang mệt hoặc chịu ảnh hưởng của rượu bia, ma túy hoặc chất kích thích.** Chỉ một khoảnh khắc mất tập trung trong khi vận hành dụng cụ điện cầm tay cũng có thể dẫn đến chấn thương cá nhân nghiêm trọng.
- Sử dụng thiết bị bảo hộ cá nhân. Luôn đeo kính bảo hộ.** Thiết bị bảo hộ như mặt nạ chống bụi, giày chống trượt, mũ cứng hoặc thiết bị bảo vệ tai - nếu được sử dụng ở những điều kiện phù hợp - sẽ giúp giảm các chấn thương cá nhân.
- Tránh vô tình bật máy. Đảm bảo công tắc ở vị trí tắt trước khi nối với nguồn điện và/hoặc pin, khi cầm lên hoặc mang dụng cụ.** Việc cầm dụng cụ điện cầm tay khi ngón tay đặt vào công tắc hoặc sạc pin cho dụng cụ điện cầm tay khi công tắc đang bật có thể gây tai nạn.

- d. **Hãy tháo hết khóa điều chỉnh hoặc cờ lê trước khi bật dụng cụ điện cầm tay.** Không tháo hết cờ lê hoặc khóa ra khỏi bộ phận quay của dụng cụ điện cầm tay có thể dẫn đến chấn thương cá nhân.
- e. **Không được với tay. Hãy luôn đứng đúng tư thế và giữ thẳng bằng.** Điều đó giúp kiểm soát dụng cụ điện cầm tay tốt hơn trong các tình huống bất ngờ.
- f. **Mặc quần áo phù hợp. Không mặc quần áo rộng hoặc đeo đồ trang sức. Giữ cho tóc, quần áo và găng tay tránh xa các bộ phận chuyển động.** Quần áo rộng, đồ trang sức hoặc tóc dài có thể bị vướng vào các bộ phận chuyển động.
- g. **Nếu các thiết bị được cung cấp để nối các phương tiện hút và gom bụi, hãy đảm bảo những thiết bị này được nối và sử dụng đúng cách.** Sử dụng thiết bị gom bụi có thể giảm các nguy cơ liên quan đến bụi.
4. **Sử dụng và bảo quản dụng cụ điện cầm tay**
- a. **Sử dụng dụng cụ điện cầm tay phù hợp.** Sử dụng dụng cụ điện cầm tay phù hợp với mục đích của bạn. Dụng cụ điện cầm tay phù hợp sẽ giúp bạn làm việc hiệu quả và an toàn hơn theo đúng tốc độ được thiết kế.
- b. **Không sử dụng dụng cụ điện cầm tay nếu công tắc không bật và tắt được.** Mọi dụng cụ điện cầm tay không điều khiển được bằng công tắc đều rất nguy hiểm và cần phải được sửa chữa.
- c. **Rút phích cắm dụng cụ điện cầm tay ra khỏi nguồn điện và/hoặc pin ra khỏi dụng cụ điện cầm tay trước khi thực hiện các điều chỉnh, thay phụ kiện hoặc bảo quản dụng cụ điện cầm tay.** Các biện pháp an toàn phòng ngừa đó giúp giảm nguy cơ vô tình khởi động dụng cụ điện cầm tay.
- d. **Bảo quản các dụng cụ điện cầm tay không sử dụng tránh xa tầm tay trẻ em và không cho phép những người không quen với dụng cụ điện cầm tay hoặc những hướng dẫn này vận hành dụng cụ điện cầm tay.** Dụng cụ điện cầm tay sẽ rất nguy hiểm khi được sử dụng bởi những người chưa được huấn luyện.
- e. **Bảo trì dụng cụ điện cầm tay. Kiểm tra các bộ phận di chuyển xem có bị lắp lệch hoặc kẹt không, các bộ phận có bị vỡ không và bất kỳ tình trạng nào khác có thể ảnh hưởng đến việc vận hành dụng cụ.** Nếu dụng cụ điện cầm tay bị hỏng, hãy sửa chữa trước khi sử dụng. Rất nhiều tai nạn xảy ra do công tác bảo trì các dụng cụ điện cầm tay kém.

- f. **Giữ cho các dụng cụ cắt luôn sắc và sạch sẽ.** Các dụng cụ cắt được bảo trì đúng cách với các cạnh cắt sắc sẽ ít bị kẹt hơn và dễ điều khiển hơn.
- g. **Sử dụng dụng cụ điện cầm tay, các phụ kiện và mũi khoan, v.v. theo các hướng dẫn này, chú ý đến các điều kiện làm việc và công việc cần thực hiện.** Sử dụng dụng cụ điện cầm tay sai mục đích có thể gây nguy hiểm.

5. Bảo dưỡng

- a. **Hãy để nhân viên bảo dưỡng có chuyên môn tiến hành bảo dưỡng dụng cụ điện cầm tay cho bạn và chỉ sử dụng các bộ phận thay thế chính hãng.** Điều này giúp đảm bảo độ an toàn của dụng cụ điện cầm tay đó.

Cảnh báo an toàn dành cho máy đục

- ◆ **Đeo thiết bị bảo vệ tai.** Việc tiếp xúc với tiếng ồn có thể gây giảm thính lực.
- ◆ **Sử dụng (các) tay cầm phụ, nếu được cung cấp kèm theo dụng cụ.** Việc mất kiểm soát có thể gây chấn thương cá nhân.
- ◆ **Cầm dụng cụ điện cầm tay ở phần bề mặt tay cầm cách điện khi thực hiện thao tác mà phụ kiện cắt có thể tiếp xúc với hệ thống dây điện chìm hoặc dây điện của chính dụng cụ.** Phụ kiện cắt tiếp xúc với dây điện "có điện" có thể truyền điện cho các bộ phận kim loại hở của dụng cụ điện cầm tay và có thể khiến nhân viên vận hành bị điện giật.
- ◆ **Đảm bảo rằng không có đường dây điện hoặc đường ống khí ga bên trong vật liệu được khoan và rằng bạn đã xác minh với công ty dịch vụ tiện ích về vị trí của các đường dịch vụ tiện ích này.**
- ◆ **Luôn luôn cầm chắc dụng cụ. Không cổ vịn hành dụng cụ khi không cầm được dụng cụ bằng cả hai tay.** Vận hành dụng cụ này bằng một tay sẽ gây mất kiểm soát. Việc khoan qua hoặc gập vật liệu cứng như thanh cốt thép cũng có thể gây nguy hiểm. Vận chặt tay cầm bên chắc chắn trước khi sử dụng.
- ◆ **Đảm bảo lắp mũi đục đúng vị trí trước khi vận hành dụng cụ.**
- ◆ **Trong điều kiện thời tiết lạnh hoặc khi không sử dụng trong một thời gian dài, hãy để dụng cụ vận hành không tải vài phút trước khi sử dụng.**
- ◆ **Khi làm việc ở trên cao, hãy đảm bảo không có ai hay vật gì ở khu vực bên dưới.**
- ◆ **Không chạm vào mũi đục hoặc các bộ phận gần mũi đục ngay sau khi vận hành vì chúng có thể rất nóng và làm bỏng da.**
- ◆ **Luôn kéo dây điện ra phía sau, cách xa mũi đục.**

- ◆ **Không vận hành dụng cụ này trong khoảng thời gian dài.** Rung chấn từ hoạt động của khoan búa có thể nguy hiểm cho bàn tay và cánh tay bạn. Sử dụng gang tay để có thêm lớp bảo vệ và hạn chế tiếp xúc bằng cách thường xuyên nghỉ giải lao.

Các nguy cơ khác

Các nguy cơ khác có thể phát sinh khi sử dụng dụng cụ không nằm trong các cảnh báo an toàn đính kèm. Những nguy cơ này có thể phát sinh từ việc sử dụng sai mục đích, sử dụng trong thời gian dài, v.v. Kể cả việc áp dụng các quy tắc an toàn liên quan và dùng các thiết bị an toàn cũng không thể tránh được một số nguy cơ nhất định. Những nguy cơ này gồm:

- ◆ Chấn thương do chạm vào bất kỳ bộ phận đang quay/chuyển động nào.
- ◆ Chấn thương do thay đổi bất kỳ bộ phận, lưỡi dao hay phụ kiện nào.
- ◆ Chấn thương do sử dụng dụng cụ trong thời gian dài. Khi sử dụng bất kỳ một dụng cụ nào trong khoảng thời gian dài, bạn phải đảm bảo nghỉ giải lao thường xuyên.
- ◆ Suy giảm thính lực.
- ◆ Các mối nguy hại cho sức khỏe do hít phải nhiều bụi khi sử dụng thiết bị (chẳng hạn:- làm việc với gỗ, đặc biệt là gỗ sỏi, gỗ dẻ gai và gỗ ép.)

KÝ HIỆU TRÊN DỤNG CỤ

Trên dụng cụ có những ký hiệu sau:



CẢNH BÁO! Để giảm nguy cơ chấn thương, người dùng phải đọc hướng dẫn sử dụng.

VỊ TRÍ MÃ VẠCH NGÀY

Mã ngày, bao gồm cả năm sản xuất, được in trên vỏ máy.

Ví dụ:

2014 XX JN
Năm sản xuất

AN TOÀN ĐIỆN



Do dụng cụ này được cách điện kép nên không cần dây nối đất. Luôn kiểm tra nguồn điện có tương ứng với điện áp trên biển thông số định mức hay không.

- ◆ Nếu dây cấp điện bị hỏng, việc thay thế phải do nhà sản xuất hoặc trung tâm bảo hành Stanley được ủy quyền thực hiện để tránh gây nguy hiểm.

Sử dụng dây nối dài

Nếu cần sử dụng dây nối dài, vui lòng sử dụng loại được phê duyệt phù hợp với thông số công suất đầu vào của dụng cụ (xem số liệu kỹ thuật). Tiết diện tối thiểu của dây dẫn là 1,5 mm². Phải gỡ những đoạn dây bị rối trước khi cuộn vào ống.

TÍNH NĂNG

Dụng cụ này gồm một số hoặc tất cả những tính năng sau.

- Tay cầm bên
- Công tắc
- Chụp ống đục
- Đầu gài lục giác
- Nắp ổ nạp đầu

LẮP RÁP VÀ ĐIỀU CHỈNH



CẢNH BÁO: Để giảm thiểu nguy cơ chấn thương, hãy tắt dụng cụ rồi rút phích cắm ra khỏi ổ cắm trước

khi tháo và lắp phụ kiện, trước khi điều chỉnh hoặc thay đổi chế độ cài đặt hoặc khi tiến hành sửa chữa.

Đảm bảo công tắc khởi động ở vị trí OFF (TẮT). Việc bất ngờ khởi động cũng có thể gây chấn thương.

THÁO VÀ LẮP PHỤ KIỆN LỤC GIÁC 17MM (hình 1)

Dụng cụ này sử dụng phụ kiện LỤC GIÁC 17mm (tham khảo trang rời trong hình 1 để xem mặt cắt của chuỗi khoan LỤC GIÁC 17mm). Chúng tôi khuyên bạn chỉ nên sử dụng các phụ kiện chuyên nghiệp.

- Lau và tra dầu vào chuỗi đục.
- Lắp chuỗi đục vào đầu giữ mũi đục/ống kẹp (d).
- Đẩy mũi đục xuống rồi xoay nhẹ cho tới khi mũi đục khớp vào các khe.
- Kéo đục ra để kiểm tra xem đã khóa chặt chưa. Chức năng đập búa đòi hỏi mũi đục phải có khả năng di chuyển dọc theo trục vài centimet khi bị khóa vào trong đầu giữ mũi đục.
- Để tháo mũi đục, kéo đầu giữ mũi đục/đầu gài lục giác (d) ra phía sau rồi kéo mũi đục ra.



CẢNH BÁO: Luôn đeo găng tay khi bạn thay phụ kiện. Các bộ phận kim loại hờ trên dụng cụ và phụ kiện có thể trở nên rất nóng trong quá trình vận hành.

LẮP TAY CÀM BÊN (hình 1)

Có thể lắp tay cầm bên (a) để phù hợp với cả người dùng thuận tay trái và phải.



CẢNH BÁO: Không sử dụng dụng cụ khi chưa lắp tay cầm bên đúng cách.

1. Vặn lỏng tay cầm bên.
2. **Đối với người dùng thuận tay phải:** Trượt móc tay cầm bên qua vòng điều chỉnh đằng sau đầu giữ mũi khoan, cầm bên trái.
Đối với người thuận tay phải: Trượt móc tay cầm bên qua vòng khóa phía sau đầu giữ mũi khoan, cầm ở bên phải.
3. Xoay tròn tay cầm bên vào vị trí mong muốn rồi vặn chặt tay cầm.

HƯỚNG DẪN SỬ DỤNG



CẢNH BÁO:

- Luôn tuân theo các hướng dẫn và quy tắc hiện hành về an toàn.
- Nắm rõ vị trí đường ống và đường dây.
- Chỉ tác dụng lực nhẹ lên dụng cụ (khoảng 5 kg). Lực quá mạnh không làm tăng tốc độ đục mà sẽ làm giảm hiệu suất và tuổi thọ của dụng cụ.
- Luôn cầm chắc dụng cụ bằng cả hai tay và đảm bảo đứng ở tư thế chắc chắn (hình 3). Chỉ vận hành dụng cụ khi đã lắp tay cầm bên đúng cách.

VỊ TRÍ TAY PHÙ HỢP (hình 3)



CẢNH BÁO: Để giảm nguy cơ chấn thương cá nhân nghiêm trọng, **LUÔN** để tay ở vị trí phù hợp như trong hình vẽ.



CẢNH BÁO: Để giảm nguy cơ chấn thương cá nhân nghiêm trọng, **LUÔN** giữ chặt tay để tránh trường hợp bị giật lại đột ngột.

Vị trí tay phù hợp yêu cầu một tay đặt lên tay cầm bên (a), còn tay kia đặt lên tay cầm chính.

BẬT VÀ TẮT (hình 1)

1. Để vận hành dụng cụ, nhấn công tắc (b) rồi xoay tới vị trí 'ON' (BẬT).
2. Để dừng dụng cụ, hãy xoay công tắc (b) tới vị trí 'OFF' (TẮT) rồi nhả ra.

ĐỔ VÀ ĐỤC (hình 1)

1. Lắp mũi đục phù hợp vào đúng vị trí.
2. Điều chỉnh tay cầm bên (a) nếu cần.
3. Bật dụng cụ và tắt đầu làm việc.
4. Luôn tắt dụng cụ khi kết thúc công việc và trước khi rút nguồn.



CẢNH BÁO:

- ◆ Không sử dụng dụng cụ này để trộn hoặc bơm các chất lỏng dễ cháy hoặc dễ nổ (xăng, cồn, v.v.).
- ◆ Không trộn hoặc khuấy chất lỏng dễ cháy được dán nhãn tương ứng.

BẢO TRÌ

Dụng cụ/thiết bị có dây/không dây của Stanley được thiết kế để vận hành trong thời gian dài và ít phải bảo trì nhất. Để đảm bảo vận hành dễ dàng, phải bảo trì và vệ sinh dụng cụ thường xuyên

CẢNH BÁO! Trước khi bảo dưỡng các dụng cụ điện cầm tay có dây/không dây:

- ◆ Tắt và rút dây nguồn của thiết bị/dụng cụ.
- ◆ Hoặc tắt nguồn, tháo pin và khởi thiết bị/dụng cụ nếu thiết bị/dụng cụ có pin rời.
- ◆ Hoặc chạy hết sạch pin nếu là loại pin tích hợp sẵn và sau đó tắt máy.
- ◆ Rút phích cắm bộ sạc trước khi vệ sinh. Bộ sạc không cần bảo dưỡng nhưng phải thường xuyên lau chùi.
- ◆ Thường xuyên lau chùi các khe thông gió trong thiết bị/dụng cụ/bộ sạc bằng chổi mềm hoặc khăn khô.
- ◆ Thường xuyên lau chùi vỏ động cơ bằng khăn ẩm. Không dùng chất tẩy rửa có chứa dung môi hay chất mài mòn.
- ◆ Thường xuyên mở đầu gài và vỏ nhẹ để trút bụi ở bên trong ra (khi lắp).

THAY THẾ CHỖI THAN (hình 4)



BÔI TRƠN

- ◆ Thường xuyên thay thế và kiểm tra chổi than. Thay chổi than kịp thời khi chổi mòn tới đường biên mài mòn. Giữ chổi than sạch và làm cho chổi than trượt tự do trong phạm vi quét. Phải thay thế đồng thời hai chổi than.
- ◆ Xoay tuốc nơ vít bốn cạnh ngược chiều kim đồng

hồ để tháo vít (4), mở nắp đáy (1), xoay tuốc nơ vít hai cạnh ngược chiều kim đồng hồ để mở nắp chổi than (2), bạn có thể tháo chổi than (3) như được mô tả trong hình 4, sau đó lắp chổi than mới rồi vận nắp nổi than (2), cuối cùng là lắp nắp đáy (1) và sử dụng tuốc nơ vít bốn cạnh để vận chặt vít.

- ◆ Mở nắp lỗ nạp dầu (e), kiểm tra dầu bôi trơn trong hộp số, nếu dầu bẩn hoặc thiếu, hãy thay hoặc đổ thêm lượng dầu chính hãng phù hợp.



VỆ SINH



CẢNH BÁO! Thường xuyên thổi bụi bản khỏi vỏ dụng cụ khi thấy bám bụi xung quanh các khe thông gió. Đeo kính bảo hộ và mặt nạ chống bụi được phê duyệt khi thực hiện quy trình này.



CẢNH BÁO! Tuyệt đối không sử dụng các dung môi và hóa chất mạnh để vệ sinh các bộ phận không làm bằng kim loại của dụng cụ. Những hóa chất này có thể làm tổn hại đến vật liệu của các bộ phận. Chỉ sử dụng xà bông nhẹ và miếng bọt biển để vệ sinh dụng cụ. Tuyệt đối không để chất lỏng lọt vào bên trong dụng cụ; không được ngâm các bộ phận của dụng cụ vào chất lỏng.

LƯU Ý

- ◆ Chính sách của Stanley không ngừng cải thiện với các sản phẩm và do đó, chúng tôi có quyền thay đổi thông số kỹ thuật sản phẩm mà không cần báo trước.
- ◆ Các thiết bị và phụ kiện chuẩn có thể khác nhau tùy theo từng quốc gia.
- ◆ Thông số kỹ thuật của sản phẩm có thể khác nhau giữa các quốc gia.
- ◆ Danh mục sản phẩm hoàn chỉnh có thể không có tại tất cả các quốc gia. Hãy liên hệ với các đại lý của Stanley tại quốc gia bạn để được cung cấp danh mục sản phẩm.

BẢO VỆ MÔI TRƯỜNG



Thu gom riêng. Không được thải bỏ sản phẩm này với rác thải sinh hoạt thông thường.

Nếu sản phẩm Stanley của bạn cần phải thay thế, hoặc bạn không sử dụng nó trong tương lai nữa, hãy nghĩ đến việc bảo vệ môi trường. Sản phẩm này phải được thu gom riêng.



Thu gom riêng sản phẩm và bao bì đóng gói đã qua sử dụng sẽ cho phép tái chế và tái sử dụng vật liệu. Tái sử dụng vật liệu tái chế giúp ngăn chặn ô nhiễm môi trường và giảm nhu cầu vật liệu thô.

Luật lệ địa phương có thể quy định việc thu gom riêng các sản phẩm điện gia dụng, tại các bãi rác thải đô thị hoặc bởi những người bán lẻ khi bạn mua sản phẩm mới

